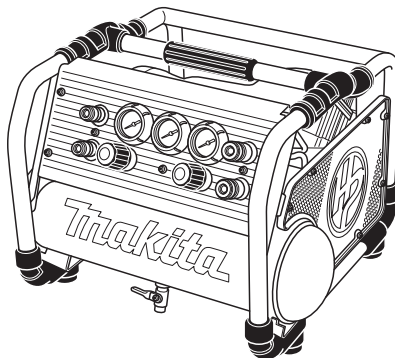




GB	Air Compressor	Instruction manual
F	Compresseur d'air	Manuel d'instructions
D	Druckluftkompressor	Betriebsanleitung
I	Compressore	Istruzioni per l'uso
NL	Luchtcompressor	Gebruiksaanwijzing
E	Compresor de aire	Manual de instrucciones
P	Compressor pneumático	Manual de instruções
DK	Luftkompressor	Brugsanvisning
S	Luftkompressor	Bruksanvisning
N	Kompressor	Bruksanvisning
FIN	Ilmakuompressor	Käyttöohje
GR	Αεροσυμπιεστής	Οδηγίες χρήσης
PL	Sprężarka	Instrukcja obsługi
LV	Gaisa kompresors	Lietošanas rokasgrāmata
EE	Õhukompressor	Kasutusjuhend
LT	Oro kompresorius	Eksploatacijos instrukcija
HU	Légsűritő	Használati utasítás
RO	Compresor de aer	Manual de instrucțiuni
SK	Vzduchový kompresor	Návod na obsluhu
CZ	Vzduchový kompresor	Návod k obsluze
UA	Повітряний компресор	Інструкції з експлуатації
RU	Воздушный компрессор	Инструкцию по эксплуатации

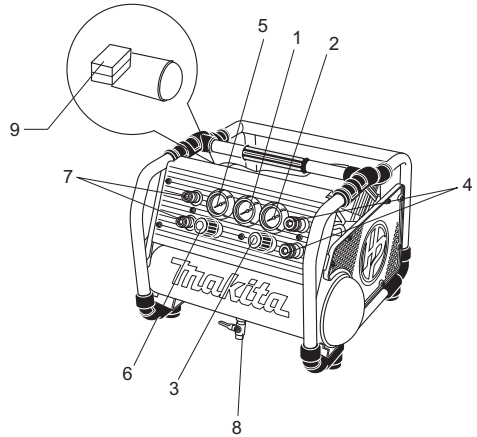
AC310H



ENGLISH

Explanation of general view

1. Air Tank pressure gauge
2. Regulated pressure gauge "HP"
3. Air regulator "HP"
4. Quick coupler "HP" (Air outlet)
5. Regulated Pressure gauge "RP"
6. Air regulator "RP"
7. Quick coupler "RP" (Air outlet)
8. Drain valve
9. Pressure Switch



SPECIFICATIONS

Model	AC310H
MAX Input Power	1800 W
SCFM @ 40 PSIG (L/min @ 2.8 bar)	3.7 (106 L)
SCFM @ 90 PSIG (L/min @ 6.2 bar)	3.6 (101 L)
SCFM @ 300 PSIG (L/min @ 21 bar)	2.7 (77 L)
Cut-In Pressure	2.3 MPa (23 bar)
Cut-Out Pressure	2.8 MPa (28 bar)
Bore x Stroke x Qty	62 mm x 31 mm x 1.45 mm x 10 mm x 1
Voltage -Single Phase	220 - 240 V AC
Hz	50 Hz
Motor RPM	1420 min ⁻¹
Lubrication	Oil-Less
Tank Size	1.6 gal (6.2 L)
Weight	36 kg (79.4 lb)
Dimensions (L x H x W)	18-3/4" x 14-3/4" x 20" (476 x 375 x 507 mm)
Outlet Max Pressure "HP" (Exclusively for High Pressure Pneumatic Use)	2.6 MPa (26 bar)
Outlet Max Pressure "RP" (Exclusively for Regular Pressure Pneumatic Use)	0.9 MPa (9 bar)
Noise	LWA 90 dB

- Due to our continuing programme of research and development, the specifications herein are subject to change without notice.
- Note: Specifications may differ from country to country.

IMPORTANT

Read the Safety Guidelines and ALL instructions carefully before operating.

Symbols

The following show the symbols used for the equipment.

Be sure that you understand their meaning before use.



..... Read instruction manual.



..... Risk of electric shock.
Caution: before doing any work on the compressor it must be disconnected from the power supply.



..... Risk of high temperatures.
Caution: the compressor contains some parts which might reach high temperatures.



..... Risk of accidental start-up.
Attention, the compressor could start automatically in case of a black-out and subsequent reset.



..... Wear safety glasses.



..... Only for EU countries
Do not dispose of electric equipment together with household waste material!
In observance of European Directive 2002/96/EC on waste electrical and electronic equipment and its implementation in accordance with national law, electric equipment that have reached the end of their life must be collected separately and returned to an environmentally compatible recycling facility.

IMPORTANT SAFETY INSTRUCTIONS

WARNING

READ AND UNDERSTAND ALL INSTRUCTIONS

Failure to follow all instructions listed below may result in electric shock, fire, and/or serious injury.



SAVE THESE INSTRUCTIONS.

WORK AREA

1. **Keep your work area clean and well lit.** Cluttered and dark areas invite accidents.

2. **Do not operate power tools in explosive atmospheres, such as in the presence of flammable liquids, gases, or dust.** Power tools create sparks which may ignite the dust or fumes.
3. **Keep bystanders, children, and visitors away while operating a power tool.** Distractions can cause you to lose control. Protect others in the work area from debris such as chips and sparks. Provide barriers or shields as needed. Children should never be allowed in the work area.
4. **The adequate room temperature is +5°C to +30°C. (0°C to +40°C at Maximum)**

WARNING
IMPROPER OPERATION OR MAINTENANCE OF THIS PRODUCT COULD RESULT IN SERIOUS INJURY AND PROPERTY DAMAGE.
READ AND UNDERSTAND ALL WARNINGS AND OPERATING INSTRUCTIONS BEFORE USING THIS EQUIPMENT.

WARNING

Risk of Unsafe Operation

WHAT CAN HAPPEN

Unsafe operation of your air compressor could lead to serious injury to you or others.

HOW TO PREVENT IT

- Review and understand all instructions and warnings in this manual.
- Become familiar with the operation and controls of the air compressor.
- Keep operating area clear of bystanders, pets and obstacles
- Keep children away from the air compressor at all times.
- Do not operate the product when fatigued or under the influence of alcohol or drugs. Stay alert at all times.
- Never defeat the safety features of this product.
- Do not operate machine with missing, broken, or unauthorised parts.

WARNING

Risk of Air Tank Bursting

WHAT CAN HAPPEN

The following conditions could lead to a weakening of the tank, and RESULT IN A VIOLENT TANK EXPLOSION RESULTING IN SERIOUS INJURY TO YOU OR OTHERS:

- Failure to properly drain condensed water from the tank, causing rust and thinning of the tank wall.
- Modifications or attempted repairs to the tank.
- Unauthorised modifications to the pressure switch, safety valve, or any other components, which control tank pressure.

HOW TO PREVENT IT

- Drain air tank daily or after each use. If air tank develops a leak, replace it immediately with a new tank or replace the entire compressor.



- Do not drill into, weld or otherwise modify air tank or it will weaken. The tank can rupture or explode. Replace with a new air tank.
- Follow the equipment manufacturers recommendation and never exceed the maximum allowable pressure rating of attachments. Never use the compressor to inflate small low-pressure objects such as children's toys, footballs, basketballs, etc.

 **WARNING**



Risk of Attachments and Accessories Bursting

WHAT CAN HAPPEN

Exceeding the pressure rating of air tools, spray guns, air operated accessories, tyres AND other inflatables can cause them to explode or fly apart, and could result in serious injury to you and others.

 **WARNING**



Risk of Electric Shock

WHAT CAN HAPPEN

- Your air compressor is powered by electricity. Like any other electrically powered device, if it is not used properly, it may cause electrical shock.
- Electrical grounding: failure to provide adequate grounding to this product could increase the risk of electric shock.

HOW TO PREVENT IT

- Any electrical wiring or repairs required to this product should be performed by qualified service personnel or a qualified electrician, in accordance with national and local electrical codes.
- Make certain that the electrical circuit to which the compressor is connected provides proper electrical grounding, correct voltage, and adequate fuse protection.
- Never operate the compressor outdoors when it is raining, or in a wet environment.
- Never operate the compressor with guards or covers which are damaged or removed.

 **WARNING**



Risk of Explosion or Fire

WHAT CAN HAPPEN

It is normal for electrical contacts within the motor and pressure switch to spark, whenever the compressor starts or stops. Never operate the compressor in an atmosphere where flammable vapours are present. Doing so can result in serious injury to you or others.

HOW TO PREVENT IT

- Always operate the compressor in a well-ventilated area, free of gasoline or solvent vapours.
- If spraying flammable materials, locate compressor at least 6.1 m away from spray area.
- Store flammable materials in a secure location away from compressor.

 **WARNING**



Risk to Breathing

WHAT CAN HAPPEN

- The compressed air from your compressor is not safe for breathing.
The air stream may contain carbon monoxide or other vapours, or particles from the tank or other components.
- Sprayed materials such as paint, paint solvents, paint remover, insecticides, weed killers, etc., contain harmful vapors and poisons.
- Breathing compressor or sprayed materials vapor can result in serious injury.

HOW TO PREVENT IT

- Never inhale air from the compressor, either directly or from a breathing device connected to the compressor. Work in an area equipped with good cross ventilation.
- Read and follow the safety instructions provided on the label or safety data sheet for the material you are spraying.
Use an approved respirator designed for use with your specific application.

 **WARNING**

Risk from Noise



Risk from Compressed Air



WHAT CAN HAPPEN

The compressed air stream can cause soft tissue damage, and can propel dirt, chips, loose particles and small objects at high speed, resulting in property damage or personal injury.

HOW TO PREVENT IT

- Always wear approved safety glasses with side shields when using or maintaining the compressor.
- Never point any nozzle or sprayer toward any part of the body or at other people or animals.
- Always turn the compressor off and bleed pressure from the air line before attempting maintenance, attaching tools or accessories.

 **WARNING**



Risk from Moving Parts

WHAT CAN HAPPEN

The compressor cycles automatically when the pressure switch is in the on/auto position. If you attempt repair or maintenance while the compressor is operating or plugged in, you can expose yourself to moving parts. These moving parts can cause serious injury.

HOW TO PREVENT IT

- Always unplug the compressor and release air pressure from the tank and any attachments before attempting any maintenance or repair.
- Never operate the compressor with guards or covers which are damaged or removed.

- Keep your hair, clothing, and gloves away from moving parts. Loose clothes, jewellery, or long hair can be caught in moving parts.
- Air vents may cover moving parts and should be avoided as well.

WARNING

Risk of Burn



WARNING

Do not operate the portable compressor with the doors or enclosures open!



WARNING

Do not open the cock before the air hose is attached!



WHAT CAN HAPPEN

Contact with hot parts such as the compressor head or outlet tubes could result in a serious skin burn.

HOW TO PREVENT IT

- Never touch hot components during or immediately after operation of the compressor. Do not reach around protective shrouds or attempt maintenance until unit has been allowed to cool.
- The handling and lifting: hold the handle only when move or transport the compressor.
- To avoid injuring, do not touch the cylinder, cylinder head or exhaust hose and other over-heated parts when the compressor is in use or shuts off within one hour.

WARNING

Transport

- a The maximum bevel during traction is at least 30°.
- b Do not apply vehicles for traction.
- c Do not place compressor under inflammable, explosive or erosive service.

GLOSSARY

CFM: Cubic feet per minute.

SCFM: Standard cubic feet per minute; a unit of measure of air delivery.

PSIG: Pounds per square inch gauge; a unit of measure of pressure.

CUT-IN PRESSURE: While the motor is off, air tank pressure drops as you continue to use your accessory or air tool. When the tank pressure drops to a certain level the motor will restart automatically. This is called "cut-in pressure".

CUT-OUT PRESSURE: When you turn on your air compressor, it begins to run, air pressure in the air tank begins to build. It builds to a certain pressure before the motor automatically shuts off - protecting your air tank from pressure higher than its design rating. The pressure at which the motor shuts off is called "cut-out pressure".

DUTY CYCLE

All Makita manufactured air compressors are recommended to be operated at no more than a 50% duty cycle. This means an air compressor that pumps air more than 50% of one hour is considered misuse because the air compressor is undersized for the required air demand.

GENERAL INFORMATION

This air compressor is equipped with an Oil-Less pump designed for durability and no maintenance.

The compressor can be used for properly rated pneumatic nailers and staplers. An air pressure regulator is supplied for these applications.

WARNING:

Never use compressor for applications other than to operate a properly rated nailer or stapler. Use of the compressor for other applications could result in property damage and personal injury.

Separate air filter regulators combine the functions of air regulation and/or moisture and dirt removal should be used where applicable.

ON-RECEIPT INSPECTION

DAMAGE: Each air compressor outfit is carefully tested and checked before shipment. With improper handling, damage may result in transit and cause problems with compressor operation.

Immediately upon arrival, check equipment for both concealed and visible damages to avoid expenses being incurred to correct such problems. This should be done regardless of any visible signs of damage to the shipping container. If this product was shipped directly to you, report any damages to the carrier and arrange for inspection of goods immediately.

STORAGE

Before you store the air compressor, make sure you do the following:

1. Review the "Maintenance" and "Operating Procedures" sections and perform maintenance as necessary. Be sure to drain water from the air tank.
2. Protect the electrical cord and air hose from damage (such as being stepped on or run over).

Store the air compressor in a clean and dry location.

DESCRIPTION OF OPERATION

DRAIN VALVE: The drain valve is located at the bottom of the air tank and is used to drain condensation from the tank at the end of each use or daily.

THERMAL CIRCUIT BREAKER:

The electric motor has a manual reset thermal circuit breaker. If the motor overheats for any reason, the circuit breaker will shut off the motor. Turn pressure switch to the "off" position and wait for unit to cool before pushing the reset button and restarting the compressor.

MOTOR THERMAL OVERLOAD PROTECTOR:

When the current rating of the motor is exceeded the thermo-protector will open and shut off the motor automatically. The motor must be allowed to cool down before restarting. The compressor will automatically restart after the motor has cooled down.

ON/AUTO - OFF SWITCH:

Turn this switch to "on" to provide automatic power to the pressure switch and to "off" to remove power when finished using the compressor or when compressor will be left unattended.

AIR INTAKE FILTER:

This filter is designed to clean air coming into the compressor pump. This filter must always be clean and free from obstructions. See "Maintenance".

AIR COMPRESSOR PUMP:

To compress air, the piston moves up and down in the cylinder. On the down stroke, air is drawn in through the air intake valve. The exhaust valve remains closed. On the upstroke of the piston, air is compressed. The intake valve closes and compressed air is forced out through the exhaust valve, through the outlet tube, through the check valve and into the air tank. Useable air is not available until the compressor has raised the air tank pressure above that required at the air outlet.

CHECK VALVE:

When the air compressor is operating, the check valve is "open", allowing compressed air to enter the air tank. When the air compressor reaches "cut-out" pressure, the check valve "closes", allowing air pressure to remain inside the air tank.

PRESSURE SWITCH UNLOADING VALVE:

The pressure switch unloading valve located on the side of the pressure switch, is designed to automatically release compressed air from the compressor head and the outlet tube when the air compressor reaches "cut-out" pressure.

PRESSURE SWITCH:

The pressure switch automatically starts the motor when the air tank pressure drops to the factory set "cut-in" pressure. It stops the motor when the air tank pressure reaches the factory set "cut-out" pressure.

SAFETY VALVE:

If the pressure switch does not shut off the air compressor at its "cut-out" pressure setting, the safety valve will protect against high pressure by "popping out" at its factory set pressure which is slightly higher than the pressure switch "cut-out" setting.

OUTLET PRESSURE GAUGE:

The outlet pressure gauge indicates the air pressure available at the outlet side of the regulator. This pressure is controlled by the regulator and is always less or equal to the tank pressure. See "Operating Procedures".

TANK PRESSURE GAUGE:

The tank pressure gauge indicates the air pressure in the tank.

REGULATOR:

The air pressure coming from the air tank is controlled by the regulator knob. Turn the knob clockwise to increase pressure and counter-clockwise to decrease pressure. To avoid minor re-adjustment after making a change in pressure setting, always approach the desired pressure from a lower pressure. When reducing from a higher to a lower setting, first reduce the pressure less than the desired pressure. Depending on the air requirements of each particular accessory, the outlet regulated air pressure may have to be adjusted while you are operating the accessory.

COMPRESSED AIR OUTLET; "HP" marking
For High Pressure Pneumatic Tool Exclusive Use
Outlet Max Pressure; 2.6 MPa (26 bar)

COMPRESSED AIR OUTLET; "RP" marking
For Regular Pressure Pneumatic Tool Use
Outlet Max Pressure; 0.9 MPa (9 bar)

INSTALLATION AND BREAK-IN PROCEDURES

LOCATION OF THE AIR COMPRESSOR

Locate the air compressor in a clean, dry and well-ventilated area. The air filter must be kept clear of obstructions, which could reduce air delivery of the air compressor. The air compressor should be located at least 0.3 m away from the wall or other obstructions that would interfere with the flow of air. The air compressor head and shroud are designed to allow for proper cooling. If humidity is high, an air filter can be installed on the air outlet adapter to remove excessive moisture. Follow the instructions packaged with the air filter for proper installation.

Place the air compressor on a level surface so that it rests securely on the rubber feet.

LUBRICATION

This air compressor is equipped with an Oil-Less pump designed for durability and no maintenance.

Power supply

Operate the compressor at voltages specified on the nameplate, the allowable tolerance range must remain within $\pm 5\%$. If using the compressor at a higher voltage than the rated voltage, it will result in abnormally fast motor speed and may damage the unit and burn out the motor.

Extension Cords

To avoid voltage drop, power loss, and overheating of the motor, use extra air hose instead of an extension cord. Low voltage can cause damage to the motor.

If an extension cord must be used:

- Make sure the extension cord is in good condition.

Please see the chart below for the MINIMUM extension cord gauge requirements:

Amp Rating Range (220 - 240 V)	Total Length of Cord in Meter					
	10 m 25 ft.	15 m 50 ft.	20 m 75 ft.	30 m 100 ft.	50 m 150 ft.	60 m 200 ft.
0 - 5 A	1.5 mm ²	1.5 mm ²	1.5 mm ²	2.5 mm ²	4 mm ²	4 mm ²
5.1 - 8 A	1.5 mm ²	1.5 mm ²	2.5 mm ²	2.5 mm ²	4 mm ²	4 mm ²
8 - 12 A	2.5 mm ²	2.5 mm ²	4 mm ²	Not Recommended		

Piping

Plastic or PVC pipe is not designed for use with compressed air. Regardless of its indicated pressure rating, plastic pipe can burst from air pressure. Use only metal pipe for air distribution lines. If a pipe line is necessary, use pipe that is the same size, or larger than, the air tank outlet. Piping that is too small will restrict the flow of air. If piping is over 100 feet long, use the next larger size. Bury underground lines below the frost line and avoid pockets where condensation can gather and freeze. Apply pressure before underground lines are covered to make sure all pipe joints are free of leaks.

DANGER:

Improper grounding can result in electrical shock. Do not modify the plug that has been provided. If it does not fit the available outlet, the correct outlet should be installed by a qualified electrician.

OPERATING PROCEDURES

Daily Start-up Checklist

CONNECTING HOSES

WARNING:

Risk of unsafe operation. Firmly grasp hose in hand when installing or disconnecting to prevent hose whip.

Losing control of the hose may result in personal injury and property damage.

1. Before attaching air hose or accessories, make sure the pressure switch lever is set to "OFF" and the air regulator or shut-off valve is closed. Ensure compressor is disconnected from the mains supply.
2. Attach hose and accessories. Too much air pressure causes a hazardous risk of bursting. Check the manufacturer's maximum pressure rating for air tools and accessories. The regulator outlet pressure must never exceed the maximum pressure rating.
3. Turn the pressure switch lever to "ON/AUTO" and allow tank pressure to build. Motor will stop when tank pressure reaches "cut-out" pressure.
4. Open the regulator by turning it clockwise. Adjust the regulator to the correct pressure setting. Your compressor is ready for use.
5. Always operate the air compressor in well-ventilated areas; free of gasoline or other solvent vapors. Do not operate the compressor near the spray area.

When you are finished:

DISCONNECTING HOSES

WARNING:

Risk of unsafe operation. Firmly grasp hose in hand when installing or disconnecting to prevent hose whip.

Losing control of the hose may result in personal injury and property damage.

6. Set the pressure switch lever to "OFF". Ensure compressor is disconnected from the mains supply.
7. Using the air tool or accessory, bleed the tank pressure down to zero.
8. Remove the air tool or accessory.
9. Drain water from air tank by opening drain cock valve on bottom of tank. WATER WILL CONDENSE IN THE AIR TANK. IF NOT DRAINED, WATER WILL CORRODE AND WEAKEN THE AIR TANK CAUSING A RISK OF AIR TANK RUPTURE.

Note:

If drain valve is plugged, release all air pressure. The valve can then be removed, cleaned, then reinstalled.
10. After the water has been drained, close the drain valve. The air compressor can now be stored.

WARNING:

Drain Air Tank Properly. Improper draining of the air tank can result in corrosion and possible bursting of the tank. Tank bursting could lead to personal injury and property damage.

MAINTENANCE

⚠ WARNING:

Never use the air compressor which is operating abnormally.

If the air compressor appears to be operating unusually, making strange noises or vibration, stop using it immediately and arrange for repairs by a Makita authorized service center.

⚠ WARNING:

Use only genuine Makita replacement parts. Replacement parts not manufactured by Makita may void your warranty and can lead to malfunction and result in injuries. Genuine Makita parts are available from an authorized dealer.

⚠ WARNING:

UNIT CYCLES AUTOMATICALLY WHEN POWER IS ON. WHEN DOING MAINTENANCE, YOU MAY BE EXPOSED TO VOLTAGE SOURCES, COMPRESSED AIR OR MOVING PARTS. PERSONAL INJURIES CAN OCCUR. BEFORE PERFORMING ANY MAINTENANCE OR REPAIR, UNPLUG THE COMPRESSOR AND BLEED OFF ALL AIR PRESSURE.

To ensure efficient operation and longer life of the air compressor unit, a routine maintenance schedule should be prepared and followed. The following routine maintenance schedule is geared to a unit in a normal working environment operating on a daily basis. If necessary, the schedule should be modified to suit the

conditions under which your compressor is used. The modifications will depend upon the hours of operation and the working environment. Compressor units in an extremely dirty and/or hostile environment will require a greater frequency of all maintenance checks.

ROUTINE MAINTENANCE SCHEDULE

1. Drain water from the air tank, any moisture separators or air filter regulators.
2. Check for any unusual noise and/or vibration.
3. Manually check all safety valves to make sure they are operating properly.

⚠ WARNING: Risk of bursting.

Check Safety Valve. If safety valve does not operate properly over pressurization of the air tank may result in rupture or explosion causing personal injury and property damage.

4. Inspect air filter, replace if necessary.
5. Inspect air lines and fittings for leaks; correct as necessary.
Each year of operation or if a problem is suspected:
 - Check condition of air compressor pump intake and exhaust valves.
 - Check condition of check valve. Replace if damaged or worn out.
6. Keep all screws, bolts, and covers properly tightened. Check their conditions periodically.

⚠ WARNING:

Keep All Screws, Bolts and Covers Properly Tightened. If screws, plates or covers become loose personal injury or property damage may occur.

1) TROUBLE SHOOTING

PROBLEM	CAUSE	CORRECTION
Will not start	Fuse blown or circuit breaker tripped; Loose electrical connections; Extension cord not correct; Overheated motor	Check for cause and replace or reset; Check wiring connections Max.15m/50ft., min. 14ga; Use reset button/wait for automatic reset
Low pressure	Air leak in safety valve Restricted air filter Defective check valve	Check valve manually; pull up ward on rings. If condition persists, replace valve; Clean or replace air filter; Replace check valve.
Safety valve releasing	Defective pressure switch or improper adjustment	Check for proper adjustment and if problem persists, replace pressure switch

2) WARNING!

Wrong way to transport and lift will lead machine damaged.

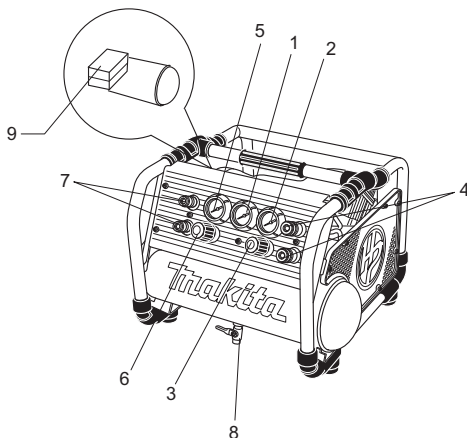
Daily maintenance

1. Before each use:
 - A Be sure all nuts and bolts are tight.
 - B Check for unusual noise or vibration.
2. After each use:

Exhaust all the air in the air storage tank. Open the drain cock at the bottom of the air storage tank to drain condensation from tank.
3. Weekly maintenance:
 - A Check performance of safety valve.
 - B Check the air switch the designed rated pressure is 2.8 Mpa.
4. Monthly maintenance:
 - A Inspect air system for leaks by applying soapy water to all joints. Tighten those joints if leakage is observed.
 - B Check that all nuts and bolts stay tight.
 - C Replace the air filter with a new one.
 - D Clean surface of air compressor.
5. Quarterly maintenance:
 - A Check the cylinder and piston see to if wore.

Descriptif

1. Manomètre du réservoir d'air
2. Manomètre commandé « HP »
3. Régulateur d'air « HP »
4. Raccords rapides « HP » (sortie d'air)
5. Manomètre commandé « RP »
6. Régulateur d'air « RP »
7. Raccord rapide « RP » (sortie d'air)
8. Robinet de vidange
9. Pressostat



SPÉCIFICATIONS

Modèle	AC310H
Puissance d'entrée MAX.	1 800 W
pi ³ /min std à 40 PSI (L/min à 2,8 bars)	3,7 (106 L)
pi ³ /min std à 90 PSI (L/min à 6,2 bars)	3,6 (101 L)
pi ³ /min std à 300 PSI (L/min à 21 bars)	2,7 (77 L)
Pression de conjonction	2,3 MPa (23 bars)
Pression de disjonction	2,8 MPa (28 bars)
Alésage x Course x Qté	62 mm x 31 mm x 1,45 mm x 10 mm x 1
Tension : courant monophasé	220 - 240 V CA
Hz	50 Hz
Régime du moteur	1 420 min ⁻¹
Lubrification	Auto-lubrifiant
Taille du réservoir	1,6 (6,2 L)
Poids	36 kg (79,4 livres)
Dimensions (L x H x P)	18-3/4" x 14-3/4" x 20" (476 x 375 x 507 mm)
Pression max. de sortie « HP » (Pour une utilisation pneumatique haute pression exclusivement)	2,6 MPa (26 bars)
Pression max. de sortie « RP » (Pour une utilisation pneumatique pression normale exclusivement)	0,9 MPa (9 bars)
Bruit	Niveau de puissance acoustique : 90 dB

- Étant donné l'évolution constante de notre programme de recherche et de développement, les spécifications contenues dans ce manuel sont sujettes à des modifications sans préavis.
- Remarque : Les spécifications peuvent varier d'un pays à l'autre.

Configuration minimale du circuit requise 7 A

* Un disjoncteur est recommandé. Utilisez uniquement un fusible ou un disjoncteur de même calibre que le circuit de dérivation sur lequel fonctionne le compresseur d'air. Si le compresseur d'air est raccordé à un circuit protégé par des fusibles, utilisez des fusibles temporisés.

IMPORTANT

Veuillez lire attentivement les directives de sécurité et TOUTES les instructions avant de faire fonctionner l'appareil.

Symboles

Les symboles utilisés pour l'outil sont indiqués ci-dessous.

Assurez-vous d'avoir bien compris leur signification avant d'utiliser l'outil.



..... Reportez-vous au manuel d'instructions.



..... Risque de choc électrique.
Attention : avant de travailler sur le compresseur, vous devez le débrancher de l'alimentation.



..... Risque de températures élevées.
Attention : le compresseur contient des pièces susceptibles d'atteindre des températures élevées.



..... Risque de démarrage accidentel.
Attention, le compresseur peut démarrer automatiquement en cas de panne et de réinitialisation ultérieure.



..... Portez des lunettes de sécurité.



..... Pour les pays européens uniquement
Ne pas jeter les appareils électriques dans les ordures ménagères !
Conformément à la directive européenne 2002/96/EG relative aux déchets d'équipements électriques ou électroniques (DEEE), et à sa transposition dans la législation nationale, les appareils électriques doivent être collectés à part et être soumis à un recyclage respectueux de l'environnement.

CONSIGNES DE SÉCURITÉ IMPORTANTES

⚠ MISE EN GARDE

LISEZ ET COMPRENEZ TOUTES LES INSTRUCTIONS

Il y a risque d'électrocution, d'incendie et/ou de blessures graves si les instructions énumérées ci-dessous ne sont pas respectées.



CONSERVEZ CES INSTRUCTIONS.

AIRE DE TRAVAIL

1. **Maintenez votre aire de travail propre et bien éclairée.** Les aires de travail encombrées et sombres ouvrent la porte aux accidents.
2. **N'utilisez pas les outils électriques dans les atmosphères explosives, par exemple en présence de liquides, gaz ou poussières inflammables.** Les outils électriques produisent des étincelles au contact desquelles la poussière ou les vapeurs peuvent s'enflammer.
3. **Assurez-vous qu'aucun passant, enfant ou visiteur ne s'approche pendant que vous utilisez l'outil électrique.** Il y a risque de perte de maîtrise de l'outil si votre attention est détournée. Protégez les autres personnes situées dans l'aire de travail des débris, tels que les copeaux et les étincelles. Au besoin, installez des barrières ou des écrans de protection. Les enfants ne doivent jamais être autorisés à pénétrer dans l'aire de travail.
4. **La température ambiante doit être comprise entre +5°C et +30°C. (entre 0°C et + 40°C au maximum)**

⚠ MISE EN GARDE

TOUT FONCTIONNEMENT OU TOUTE MAINTENANCE INAPPROPRIÉ(E) DE CE PRODUIT PEUT ENTRAÎNER DES BLESSURES GRAVES ET DES DÉGÂTS MATÉRIELS.

LISEZ ET COMPRENEZ TOUTES LES MISES EN GARDE ET INSTRUCTIONS DE FONCTIONNEMENT AVANT D'UTILISER CET APPAREIL.

⚠ MISE EN GARDE

Risque de fonctionnement dangereux

CE QUI PEUT SE PRODUIRE

Le fonctionnement dangereux de votre compresseur d'air peut entraîner des blessures graves à vous-même et aux autres.

COMMENT LE PRÉVENIR

- Consultez et comprenez toutes les instructions et mises en garde de ce manuel.
- Familiarisez-vous avec le fonctionnement et les commandes du compresseur d'air.
- Éloignez les personnes, animaux et obstacles de la zone de fonctionnement.
- Éloignez en permanence les enfants du compresseur d'air.
- Ne faites pas fonctionner le produit lorsque vous êtes fatigué(e) ou sous l'emprise d'alcool ou de médicaments. Restez constamment vigilant.
- N'altérez en aucun cas les fonctions de sécurité de ce produit.
- Équipez la zone de fonctionnement d'un extincteur.
- Ne faites pas fonctionner l'appareil s'il lui manque des pièces ou s'il comporte des pièces cassées ou non agréées.

MISE EN GARDE



Risque d'éclatement du réservoir d'air

CE QUI PEUT SE PRODUIRE

Les conditions suivantes peuvent conduire à un affaiblissement du réservoir et PROVOQUER UNE VIOLENTE EXPLOSION DU RÉSERVOIR ENTRAÎNANT DES BLESSURES GRAVES POUR VOUS ET LES AUTRES :

- Une vidange incorrecte de l'eau de condensation issue du réservoir, entraînant de la rouille et un amincissement de la paroi du réservoir.
- Des modifications ou tentatives de réparation du réservoir.
- Des modifications non autorisées du pressostat, de la soupape de sûreté et de tout autre composant contrôlant la pression du réservoir.

COMMENT LE PRÉVENIR

- Purgez quotidiennement le réservoir d'air ou après chaque utilisation. Si le réservoir d'air présente une fuite, remplacez-le immédiatement par un réservoir neuf ou remplacez l'ensemble du compresseur.
- Ne percez pas, ne soudez pas et ne modifiez pas de quelque manière que ce soit le réservoir d'air au risque de le fragiliser. Le réservoir pourrait se briser ou exploser. Remplacez-le par un réservoir d'air neuf.
- Suivez les recommandations du fabricant du matériel et ne dépassez jamais la pression nominale maximale autorisée des pièces complémentaires. N'utilisez jamais le compresseur pour gonfler de petits objets à faible pression, tels que des jouets d'enfants, des ballons de football, de basket ball, etc.

MISE EN GARDE



Risque d'éclatement des pièces complémentaires et des accessoires

CE QUI PEUT SE PRODUIRE

En cas de dépassement de leur pression nominale, les outils pneumatiques, pistolets de projection, accessoires à air comprimé, pneus ET autres objets gonflables risquent d'exploser ou de voler en éclats et d'entraîner des blessures graves à vous-même et aux autres.

MISE EN GARDE



Risque de choc électrique

CE QUI PEUT SE PRODUIRE

- Votre compresseur d'air fonctionne à l'électricité. Comme tout autre appareil électrique, il peut provoquer un choc électrique s'il n'est pas utilisé correctement.
- Mise à la terre : la mise à la terre inappropriée de ce produit peut accroître le risque de choc électrique.

COMMENT LE PRÉVENIR

- Tout câblage électrique et toute réparation requise sur ce produit doit être réalisé(e) par du personnel d'entretien qualifié ou un électricien titulaire d'une licence, conformément aux codes électriques régionaux et nationaux.

- Assurez-vous que le circuit électrique auquel est raccordé le compresseur comporte une mise à la terre adéquate, une tension correcte et une protection par fusible appropriée.
- Ne faites jamais fonctionner le compresseur en extérieur s'il pleut ou dans un environnement humide.
- Ne faites jamais fonctionner un compresseur dont les dispositifs de protection ou les capots sont endommagés ou déposés.

MISE EN GARDE



Risque d'explosion ou d'incendie

CE QUI PEUT SE PRODUIRE

Il est normal que les contacts électriques à l'intérieur du moteur et du pressostat provoquent des étincelles au démarrage ou à l'arrêt du compresseur. Ne faites jamais fonctionner le compresseur dans une atmosphère comportant des vapeurs inflammables. Vous risqueriez de provoquer des blessures graves à vous ou aux autres.

COMMENT LE PRÉVENIR

- Faites toujours fonctionner le compresseur dans une zone bien ventilée, dépourvue de vapeur d'essence et de solvants.
- En cas de projection de matériaux inflammables, placez le compresseur à 6,1 m au moins de la zone de projection.
- Stockez les matériaux inflammables dans un lieu protégé, à l'écart du compresseur.

MISE EN GARDE



Risque d'inhalation

CE QUI PEUT SE PRODUIRE

- L'air comprimé provenant de votre compresseur n'est pas sain et ne doit pas être inhalé. Le courant d'air peut contenir du monoxyde de carbone ou d'autres vapeurs ou particules provenant du réservoir ou d'autres composants.
- Les matériaux projetés, tels que la peinture, les solvants pour peinture, décapants pour peinture, insecticides, désherbants, etc., contiennent des vapeurs dangereuses et des produits toxiques.
- L'inhalation de la vapeur des matériaux projetés ou du compresseur peut provoquer des blessures graves.

COMMENT LE PRÉVENIR

- Ne respirez jamais l'air provenant du compresseur, que ce soit de manière directe ou à partir d'un dispositif d'inhalation raccordé au compresseur. Travaillez dans une zone équipée d'une bonne ventilation transversale.
- Lisez et suivez les instructions de sécurité indiquées sur l'étiquette ou la fiche de données de sécurité du matériau projeté. Utilisez un masque filtrant conçu pour être utilisé avec votre application spécifique.

MISE EN GARDE

Risque de bruit



Risque relatif à l'air comprimé



CE QUI PEUT SE PRODUIRE

Le courant d'air comprimé peut endommager les tissus mous et propulser la saleté, les copeaux, les particules à nu et les petits objets à grande vitesse, provoquant des dommages matériels ou des blessures corporelles.

COMMENT LE PRÉVENIR

- Portez toujours des lunettes de sécurité équipées d'écrans latéraux de protection lors de l'utilisation ou de l'entretien du compresseur.
- N'orientez jamais un gicleur ou un pulvérisateur vers une quelconque partie du corps ou bien vers d'autres personnes ou animaux.
- Avant de procéder à la maintenance ou de fixer les outils ou les accessoires, désactivez toujours le compresseur et purgez la pression de la conduite d'air.

MISE EN GARDE

Risque lors du mouvement des pièces



CE QUI PEUT SE PRODUIRE

Le compresseur se déclenche automatiquement lorsque le pressostat est en position on/auto. Si vous tentez de procéder aux réparations ou à la maintenance alors que le compresseur fonctionne ou est branché, vous pouvez vous exposer aux pièces en mouvement. Ces pièces en mouvement peuvent provoquer de graves blessures.

COMMENT LE PRÉVENIR

- Débranchez toujours le compresseur et libérez la pression d'air du réservoir ainsi que de toute pièce complémentaire avant d'essayer de procéder à la maintenance ou aux réparations.
- Ne faites jamais fonctionner un compresseur dont les dispositifs de protection ou les capots sont endommagés ou déposés.
- Assurez-vous que vos cheveux, vêtements et gants demeurent à l'écart des pièces en mouvement. Les vêtements amples, bijoux et cheveux longs risquent d'être happés par les pièces en mouvement.
- Les bouches d'air peuvent recouvrir des pièces en mouvement et doivent également être évitées.

MISE EN GARDE

Risque de brûlure



MISE EN GARDE

Ne faites pas fonctionner le compresseur portable lorsque les portes ou les enceintes sont ouvertes !



MISE EN GARDE

N'ouvrez pas le robinet avant d'avoir fixé le tuyau d'air !



CE QUI PEUT SE PRODUIRE

Le contact avec des pièces chaudes, telles que la tête du compresseur ou les tuyaux de sortie peuvent entraîner de graves brûlures de la peau.

COMMENT LE PRÉVENIR

- Ne touchez jamais les composants chauds pendant ou immédiatement après le fonctionnement du compresseur. Éloignez-vous des flasques de protection et n'essayez pas de procéder à la maintenance avant que l'unité ait refroidi.
- Manutention et levage : tenez la poignée uniquement lors du déplacement ou du transport du compresseur.
- Pour éviter de vous blesser, ne touchez pas le cylindre, la tête du cylindre ou le tuyau d'échappement ainsi que d'autres pièces chaudes lorsque le compresseur est en cours d'utilisation ou lorsqu'il est éteint depuis moins d'une heure.

MISE EN GARDE

Transport

- a Le biseau maximal pendant la traction est de 30° au moins.
- b Ne l'utilisez pas pour appliquer une traction aux véhicules.
- c Ne placez pas le compresseur sous un élément inflammable, explosif ou érosif.

GLOSSAIRE

pi3/min : pied cube par minute.

pi3/min std : pied cube normalisé par minute ; unité de mesure de soufflage.

PSI : pression par pouce carré ; unité de mesure de la pression.

PRESSON DE CONJONCTION : Une fois le moteur coupé, la pression du réservoir d'air chute même si vous continuez à utiliser votre accessoire ou votre outil pneumatique. Lorsque la pression du réservoir chute jusqu'à un certain niveau, le moteur redémarre automatiquement. La pression à laquelle le moteur redémarre est appelée « pression de conjonction ».

PRESSON DE DISJONCTION : Lorsque vous mettez votre compresseur d'air sous tension, il commence à tourner et la pression d'air dans le réservoir d'air commence à se former. Elle augmente jusqu'à un certain niveau avant que le moteur s'éteigne automatiquement, protégeant votre réservoir d'air contre une pression supérieure à la pression nominale pour laquelle il a été conçu. La pression à laquelle le moteur s'éteint est appelée « pression de disjonction ».

CYCLE DE FONCTIONNEMENT

Il est recommandé de faire fonctionner tous les compresseurs d'air fabriqués par Makita selon un cycle de fonctionnement de 50 % au maximum. Cela signifie qu'il est déconseillé de faire fonctionner un compresseur d'air qui pompe l'air pendant plus d'une demie-heure car la taille du compresseur d'air est insuffisante pour la demande d'air requise.

INFORMATIONS GÉNÉRALES

Ce compresseur d'air est équipé d'une pompe auto-lubrifiante conçue pour durer et ne nécessiter aucune maintenance.

Le compresseur peut être utilisé pour les cloueuses et agrafeuses pneumatiques correctement réglées. Un régulateur de pression d'air est fourni pour ces applications.

AVERTISSEMENT :

N'utilisez jamais le compresseur pour d'autres applications que le fonctionnement d'une agrafeuse ou d'une cloueuse correctement réglée. L'utilisation du compresseur pour d'autres applications peut entraîner des dommages matériels et des blessures corporelles.

Le cas échéant, vous devez utiliser des transformateurs à air distincts associant les fonctions de régulation d'air et/ou de suppression d'humidité et de saleté.

INSPECTION À LA RÉCEPTION

DOMMAGES : Chaque ensemble de compresseur d'air est testé et vérifié avec soin avant sa livraison. Une mauvaise manipulation risque de provoquer des dommages lors du transport et d'entraîner des problèmes lors du fonctionnement du compresseur.

Immédiatement à la réception, vérifiez que le matériel ne comporte aucun dommage caché ou apparent afin d'éviter les dépenses inhérentes à la correction de ce type de problème. Cette opération doit être réalisée même si le colis ne présente aucun signe visible de dommage. Si ce produit vous a été envoyé directement, signalez tous les dommages au transporteur et organisez le contrôle immédiat des marchandises.

STOCKAGE

Avant de stocker le compresseur d'air, n'oubliez pas de procéder comme suit :

1. Consultez les sections « Maintenance » et « Procédures de fonctionnement » et procédez à la maintenance au besoin. Veillez à purger l'eau du réservoir d'air.
2. Protégez le cordon électrique et le tuyau d'air afin qu'ils ne soient pas endommagés (piétinés ou écrasés).

Stockez le compresseur d'air dans un endroit propre et sec.

DESCRIPTION DU FONCTIONNEMENT

ROBINET DE VIDANGE : Le robinet de vidange se trouve dans la partie inférieure du réservoir d'air et permet de purger la condensation à la fin de chaque utilisation.

DISJONCTEUR THERMIQUE :

Le moteur électrique est équipé d'un disjoncteur thermique à réinitialisation manuelle. Si le moteur présente une surchauffe pour quelque raison que ce soit, le disjoncteur coupe le moteur. Placez le pressostat en position « off » et attendez que l'unité refroidisse avant d'appuyer sur le bouton de réinitialisation et de redémarrer le compresseur.

PROTECTION CONTRE LES SURCHARGES THERMIQUES DU MOTEUR :

Lorsque vous dépassez le courant nominal du moteur, la protection thermique s'ouvre et coupe automatiquement le moteur.

Vous devez laisser refroidir le moteur avant le redémarrage. Le compresseur redémarrera automatiquement après le moteur.

COMMUTATEUR ON/AUTO - OFF :

Placez ce commutateur en position « on » pour alimenter automatiquement le pressostat et placez-le en position « off » pour couper l'alimentation lorsque vous avez terminé d'utiliser le compresseur ou lorsque vous le laissez sans surveillance.

FILTRE D'ADMISSION D'AIR :

L'objectif de ce filtre est de nettoyer l'air qui pénètre à l'intérieur de la pompe du compresseur. Ce filtre doit toujours être propre et non obstrué. Reportez-vous à la section « Maintenance ».

POMPE DU COMPRESSEUR D'AIR :

Pour comprimer l'air, le piston se déplace de haut en bas du cylindre. Lors de la course vers le bas, l'air est aspiré dans la vanne d'admission d'air. La soupape d'échappement reste fermée.

Lors de la course ascendante du piston, l'air est comprimé. La soupape d'admission se ferme et l'air comprimé est expulsé à travers la soupape d'échappement, le tuyau de sortie et le clapet antiretour avant d'arriver dans le réservoir d'air. L'air utile n'est disponible que lorsque le compresseur a augmenté la pression du réservoir d'air au-delà du niveau requis à la sortie d'air.

CLAPET ANTIRETOUR :

Pendant le fonctionnement du compresseur d'air, le clapet antiretour est « ouvert », ce qui permet à l'air comprimé de pénétrer à l'intérieur du réservoir d'air. Lorsque le compresseur d'air atteint la pression de « disjonction », le clapet antiretour se ferme, ce qui permet à la pression d'air de rester à l'intérieur du réservoir d'air.

SOUPAPE DE DÉCHARGE DU PRESSOSTAT :

La soupape de décharge du pressostat située sur le côté du pressostat est destinée à libérer automatiquement l'air comprimé de la tête du compresseur et du tuyau de sortie lorsque le compresseur d'air atteint la pression de « disjonction ».

PRESSOSTAT :

Le pressostat démarre automatiquement le moteur lorsque la pression du réservoir d'air chute jusqu'à atteindre la pression de « conjonction » définie en usine. Il arrête le moteur lorsque la pression du réservoir d'air atteint la pression de « disjonction » définie en usine.

SOUAPE DE SÛRETÉ :

Si le pressostat ne désactive pas le compresseur d'air lorsqu'il atteint la pression de « disjonction », la soupape de sûreté le protégera contre les pressions élevées en « s'éjectant » lorsque la pression définie en usine sera atteinte. Cette pression est légèrement plus élevée que la pression de « disjonction » du pressostat.

MANOMÈTRE DE SORTIE :

Le manomètre de sortie indique la pression d'air disponible côté sortie du régulateur. Cette pression est contrôlée par le régulateur et est toujours inférieure ou égale à la pression du réservoir. Reportez-vous à la section « Procédures de fonctionnement ».

MANOMÈTRE DU RÉSERVOIR :

Le manomètre du réservoir indique la pression d'air dans le réservoir.

RÉGULATEUR :

Le bouton du régulateur permet de contrôler la pression d'air provenant du réservoir d'air. Tournez le bouton dans le sens horaire pour augmenter la pression et dans le sens anti-horaire pour la diminuer. Pour éviter d'avoir à effectuer des réglages mineurs après un changement de réglage de la pression, rapprochez-vous toujours de la pression souhaitée depuis une pression inférieure. Lorsque vous passez à une pression inférieure à celle existante, commencez par sélectionner une pression inférieure à la pression souhaitée. Selon les exigences en air de chaque accessoire spécifique, il peut également s'avérer nécessaire de régler la pression d'air contrôlée en sortie lors du fonctionnement de l'accessoire.

SORTIE D'AIR COMPRIMÉ ; repère « HP »

Pour l'utilisation exclusive de l'outil pneumatique haute pression

Pression max. de sortie ; 2,6 MPa (26 bars)

SORTIE D'AIR COMPRIMÉ ; repère « RP »

Pour l'utilisation de l'outil pneumatique pression normale
Pression max. de sortie ; 0,9 MPa (9 bars)

PROCÉDURES D'INSTALLATION ET DE RODAGE

EMPLACEMENT DU COMPRESSEUR D'AIR

Placez le compresseur d'air dans un lieu propre, sec et bien ventilé. Le filtre à air ne doit jamais être obstrué, au risque de réduire le soufflage du compresseur d'air. Le compresseur d'air doit se trouver à 0,3 m au moins du mur ou d'autres obstacles susceptibles de gêner le flux d'air. La tête et le flasque du compresseur d'air sont destinés à permettre un refroidissement adéquat. En cas d'humidité importante, vous pouvez installer un filtre à air sur l'adaptateur de sortie d'air afin de retirer l'excès d'humidité. Pour procéder correctement à l'installation, suivez les instructions fournies avec le filtre à air. Placez le compresseur d'air sur une surface plane, de sorte qu'il repose en toute sécurité sur les pieds en caoutchouc.

LUBRIFICATION

Ce compresseur d'air est équipé d'une pompe auto-lubrifiante conçue pour durer et ne nécessiter aucune maintenance.

Alimentation

Faites fonctionner le compresseur selon les tensions spécifiées sur la plaque signalétique ; la plage de tolérances admise doit être de $\pm 5\%$. Si vous sélectionnez une tension plus élevée que la tension nominale lors de l'utilisation du compresseur, cela entraînera une révolution anormalement rapide du moteur et risquera d'endommager l'unité et de brûler le moteur.

Cordons prolongateurs

Pour éviter les chutes de tension, les pertes de puissance et la surchauffe du moteur, utilisez un tuyau d'air supplémentaire plutôt qu'un cordon prolongateur. Une tension basse risque d'endommager le moteur.

Si vous devez utiliser un cordon prolongateur :

- Utilisez uniquement un cordon prolongateur 3 fils certifié et comportant une prise de mise à la terre 3 broches ainsi qu'une prise de courant 3 fentes acceptant la fiche sur le compresseur d'air.
- Assurez-vous que le cordon prolongateur est en bon état.

Consultez le tableau suivant pour connaître les configurations MINIMUM requises concernant le tuyau prolongateur du manomètre :

Plage d'intensité nominale (220 - 240 V)	Longueur totale du cordon en mètres					
	10 m 25 pi	15 m 50 pi	20 m 75 pi	30 m 100 pi	50 m 150 pi	60 m 200 pi
0 - 5 A	1,5 mm ²	1,5 mm ²	1,5 mm ²	2,5 mm ²	4 mm ²	4 mm ²
5,1 - 8 A	1,5 mm ²	1,5 mm ²	2,5 mm ²	4 mm ²	4 mm ²	4 mm ²
8 - 12 A	2,5 mm ²	2,5 mm ²	4 mm ²	Non recommandé		

Canalisation

Aucun tuyau en plastique ou en PVC n'est conçu pour être utilisé avec le compresseur d'air. Quelle que soit sa pression nominale indiquée, le tuyau en plastique peut éclater sous la pression de l'air. Utilisez uniquement un tuyau en métal pour les conduites de distribution d'air. Si vous avez besoin d'une conduite, utilisez-en une de même taille ou plus grande que la sortie du réservoir d'air. Une conduite trop petite limiterait le flux d'air. Si la longueur de la conduite est supérieure à 30 mètres, utilisez la taille supérieure. Enterrez les conduites souterraines sous la limite de gel et évitez les poches dans lesquelles la condensation peut se former et geler. Appliquez une pression avant que les conduites souterraines soient recouvertes pour vous assurer que tous les joints de conduite ne comportent aucune fuite.

Instruction de mise à la terre

⚠ AVERTISSEMENT : Risque de choc électrique ! En cas de court-circuit, la mise à la terre réduit le risque de choc en permettant au courant électrique de s'échapper par le câble d'échappement. Ce compresseur d'air doit être correctement mis à la terre.

Le compresseur d'air est équipé d'un cordon muni d'un câble de mise à la terre comportant une prise de mise à la terre adaptée. Cette prise doit être utilisée avec une sortie installée et mise à la terre conformément à tous les codes et règlements régionaux. La configuration de la sortie doit être identique à celle de la prise. **N'UTILISEZ PAS D'ADAPTEUR.**

Inspectez la prise et le cordon avant chaque utilisation. Ne les utilisez pas s'ils présentent des signes d'endommagement.

DANGER :

Une mise à la terre incorrecte peut entraîner un choc électrique. Ne modifiez pas la prise fournie. Si elle ne s'adapte pas sur la sortie proposée, la sortie correcte doit être installée par un électricien qualifié.

PROCÉDURES DE FONCTIONNEMENT

Liste de contrôle quotidienne au démarrage

INSTALLATION DES TUYAUX

⚠ AVERTISSEMENT :
Risque de fonctionnement dangereux. Saisissez fermement le tuyau dans la main lors de l'installation ou du débranchement afin d'éviter d'être fouetté(e). Toute perte de contrôle du tuyau peut entraîner des blessures corporelles et des dommages matériels.

1. Avant de fixer le tuyau d'air ou les accessoires, assurez-vous que le levier du pressostat est en position « OFF » et que le régulateur d'air ou la soupape d'arrêt est fermé(e).
2. Fixez le tuyau et les accessoires. Une pression d'air trop importante présente un risque d'éclatement dangereux. Vérifiez la pression nominale maximale recommandée par le fabricant pour les outils

pneumatiques et les accessoires. La pression de sortie du régulateur ne doit jamais dépasser la pression nominale maximale.

3. Placez le levier du pressostat en position « ON/AUTO » et laissez la pression du réservoir se former. Le moteur s'arrête lorsque la pression du réservoir atteint la pression de « disjonction ».
4. Ouvrez le régulateur en le tournant dans le sens horaire. Réglez le régulateur selon une pression correcte. Votre compresseur est prêt à être utilisé.
5. Faites toujours fonctionner le compresseur d'air dans des zones bien ventilées, dépourvues de vapeur d'essence ou d'autres solvants. Ne faites pas fonctionner le compresseur près de la zone de projection.

Lorsque vous avez terminé :

DÉBRANCHEMENT DES TUYAUX

⚠ AVERTISSEMENT :
Risque de fonctionnement dangereux. Saisissez fermement le tuyau dans la main lors de l'installation ou du débranchement afin d'éviter d'être fouetté(e). Toute perte de contrôle du tuyau peut entraîner des blessures corporelles et des dommages matériels.

6. Placez le levier du pressostat en position « OFF ».
7. À l'aide de l'outil pneumatique ou de l'accessoire, purgez entièrement la pression du réservoir.
8. Déposez l'outil pneumatique ou l'accessoire.
9. Purgez l'eau du réservoir d'air en ouvrant la soupape du robinet de vidange dans la partie inférieure du réservoir. **L'EAU VA SE CONDENSER DANS LE RÉSERVOIR D'AIR. SI ELLE N'EST PAS PURGÉE, L'EAU SE CORRODE ET FRAGILISE LE RÉSERVOIR D'AIR, ENTRAÎNANT UN RISQUE DE RUPTURE DU RÉSERVOIR D'AIR.**

Remarque :

Si le robinet de vidange est bouché, libérez toute la pression d'air. Vous pouvez ensuite déposer, nettoyer, puis réinstaller la soupape.

10. Une fois l'eau purgée, fermez le robinet de vidange. Vous pouvez alors ranger le compresseur d'air.

⚠ AVERTISSEMENT :
Purgez correctement le réservoir d'air. Toute purge incorrecte du réservoir d'air peut provoquer de la corrosion et l'éclatement éventuel du réservoir. L'éclatement du réservoir peut entraîner des blessures corporelles et des dommages matériels. Les instructions supplémentaires figurant dans l'avertissement d'origine ne font que répéter ce qui est indiqué au point 9 ci-dessus. De plus, il n'indique pas que le compresseur doit être désactivé.

MAINTENANCE

⚠ AVERTISSEMENT :

N'utilisez jamais un compresseur d'air qui ne fonctionne pas normalement.

Si le compresseur d'air s'avère fonctionner anormalement, émettant des bruits étranges ou des vibrations, cessez immédiatement de l'utiliser et faites-le réparer par un centre d'entretien agréé Makita.

⚠ AVERTISSEMENT :

Utilisez uniquement des pièces de rechange Makita d'origine. L'utilisation de pièces de rechange non fabriquées par Makita risquerait d'annuler votre garantie et de provoquer un dysfonctionnement, entraînant des blessures. Les pièces Makita d'origine sont disponibles auprès d'un revendeur agréé.

⚠ AVERTISSEMENT :

L'UNITÉ SE DÉCLENCHE AUTOMATIQUEMENT LORSQU'ELLE EST SOUS TENSION. LORS DE LA MAINTENANCE, VOUS RISQUEZ D'ÊTRE EXPOSÉ(E) À DES SOURCES DE TENSION, À DE L'AIR COMPRIMÉ OU À DES PIÈCES EN MOUVEMENT. DES BLESSURES CORPORELLES PEUVENT SE PRODUIRE. AVANT DE PROCÉDER À LA MAINTENANCE OU AUX RÉPARATIONS, DÉBRANCHEZ LE COMPRESSEUR ET PURGEZ TOUTE LA PRESSION D'AIR.

4. Inspectez le filtre à air et remplacez-le au besoin.
5. Inspectez les conduites d'air et fixations à la recherche d'éventuelles fuites, colmatez-les le cas échéant.

Tous les ans ou si vous suspectez un problème :

- Vérifiez l'état des soupapes d'échappement et d'entrée de la pompe du compresseur d'air.
 - Vérifiez l'état du clapet antiretour. Remplacez-le s'il est endommagé ou usé.
6. Assurez-vous que toutes les vis, tous les boulons et tous les capots sont bien montés. Vérifiez régulièrement leur état.

⚠ AVERTISSEMENT :

Assurez-vous que toutes les vis, tous les boulons et tous les capots sont correctement serrés. Le desserrage des plateaux-vis ou des capots risque de provoquer des blessures corporelles ou des dommages matériels.

Pour garantir un fonctionnement suffisant et une plus longue durée de vie de l'unité du compresseur d'air, vous devez préparer et suivre un programme de maintenance régulier. Le programme de maintenance régulier suivant est adapté à une unité fonctionnant quotidiennement dans un environnement de travail normal. Au besoin, ce programme peut être modifié afin de correspondre aux conditions dans lesquelles vous utilisez votre compresseur. Les modifications dépendent des heures de fonctionnement et de l'environnement de travail. Les vérifications de maintenance doivent être réalisées plus fréquemment si les unités du compresseur sont situées dans un environnement extrêmement hostile et/ou sale.

PROGRAMME DE MAINTENANCE RÉGULIER

1. Purgez l'eau du réservoir d'air, des séparateurs d'humidité ou des transformateurs.
2. Assurez-vous de l'absence de bruit et/ou vibration inhabituel(le).
3. Vérifiez manuellement toutes les soupapes de sûreté en vous assurant qu'elles fonctionnent correctement.

⚠ AVERTISSEMENT : Risque d'éclatement.
Vérifiez la soupape de sûreté. Si la soupape de sûreté ne fonctionne pas correctement, une pressurisation excessive du réservoir d'air risque d'entraîner la rupture ou l'explosion de celui-ci et de provoquer des blessures corporelles et des dommages matériels.

1) DÉPANNAGE

PROBLÈME	CAUSE	CORRECTION
L'appareil ne démarre pas	Fusible grillé ou disjoncteur enclenché ; Connexions électriques desserrées ; Rallonge électrique incorrecte ; Surchauffe du moteur.	Vérifiez la cause du problème et remplacez le composant concerné ou réinitialisez l'appareil. Vérifiez les raccordements : 15 m au max., 14 ga au min. Utilisez la touche de réinitialisation/attendez la réinitialisation automatique.
Pression basse	Fuite d'air dans la soupape de sécurité Filtre à air obstrué Clapet antiretour défectueux	Vérifiez manuellement le clapet : soulevez les fentes sur les anneaux. Si le problème persiste, remplacez le clapet. Nettoyez ou remplacez le filtre à air. Remplacez le clapet antiretour.
Relâchement de la soupape de sécurité	Pressostat défectueux ou mauvais réglage	Vérifiez que le réglage est correct et si le problème persiste, remplacez le pressostat.

2) MISE EN GARDE !

Tout transport et levage incorrect risque d'endommager l'appareil.

Entretien quotidien

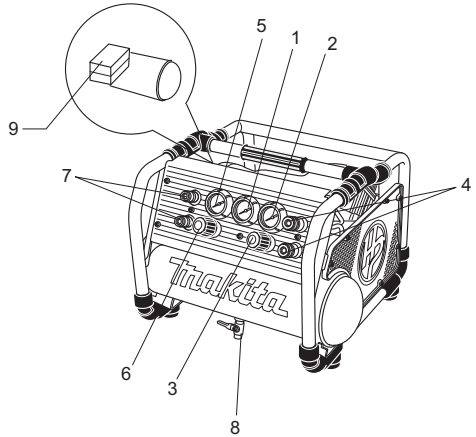
- Avant chaque utilisation :
 - Assurez-vous que tous les écrous et boulons sont serrés.
 - Assurez-vous de l'absence de bruit ou vibration inhabituel(le).
- Après chaque utilisation :

Videz entièrement l'air situé dans le réservoir de stockage d'air. Ouvrez le robinet de purge situé dans la partie inférieure du réservoir de stockage d'air afin de purger la condensation du réservoir.
- Entretien hebdomadaire :
 - Vérifiez les performances de la soupape de sécurité.
 - Vérifiez que la pression nominale du commutateur de débit d'air est de 2,8 Mpa.
 - Nettoyez le filtre à air.
- Entretien mensuel :
 - Inspectez le système d'air à la recherche d'éventuelles fuites en appliquant de l'eau savonneuse sur tous les joints. En cas de fuite, serrez les joints.
 - Assurez-vous que tous les écrous et boulons restent serrés.
 - Remplacez le filtre à air par un filtre neuf.
 - Nettoyez la surface du compresseur d'air.
- Entretien trimestriel :
 - Vérifiez le cylindre et le piston et assurez-vous qu'ils ne sont pas usés.

DEUTSCH

Erklärung der Gesamtdarstellung

1. Druckanzeige Druckluftbehälter
2. Druckanzeige geregelter Druck "HP"
3. Luftdruckregler "HP"
4. Schnellanschlüsse "HP" (Luftauslass)
5. Druckanzeige geregelter Druck "RP"
6. Luftdruckregler "RP"
7. Schnellanschluss "RP" (Luftauslass)
8. Ablassventil
9. Druckschalter



TECHNISCHE DATEN

Modell	AC310H
Max. Antriebsleistung	1800 W
Luftleistung:SCFM bei 40 PSIG (L/min @ bei 0,2757 MPa)	3,7 (106 L)
Luftleistung:SCFM bei 90 PSIG (L/min @ bei 0,6205 MPa)	3,6 (101 L)
Luftleistung:SCFM bei 300 PSIG (L/min @ bei 2,068 MPa)	2,7 (77 L)
Einschaltdruck	2,3 MPa (23 bar)
Ausschaltdruck	2,8 MPa (28 bar)
Bohrung x Hub x Maße	62 mm x 31 mm x 1,45 mm x 10 mm x 1
Netzspannung - Einphasig	220 - 240 V AC
Netzfrequenz	50 Hz
Motordrehzahl	1.420 min ⁻¹
Schmierung	ölfrei
Volumen Behälter	6,2 L (1,6 gal)
Gewicht	36 kg (79,4 lb)
Abmessungen (L x H x B)	476 x 375 x 507 mm (18-3/4" x 14-3/4" x 20")
Max. Auslassdruck "HP" (ausschließlich für Hochdruck-Pneumatikanwendungen)	2,6 MPa (26 bar)
Max. Auslassdruck "RP" (ausschließlich für Normaldruck-Pneumatikanwendungen)	0,9 MPa (9 bar)
Geräuschpegel	LWA 90 dB

- Aufgrund unserer weiterführenden Forschungen und Entwicklungen sind Änderungen an den hier angegebenen Technischen Daten ohne Vorankündigung vorbehalten.
- Hinweis: Die Technischen Daten können in einzelnen Ländern voneinander abweichen.

Mindestabsicherung Stromkreis: 10 A

* Es wird ein Personenschutzschalter empfohlen. Verwenden Sie ausschließlich einen Personenschutzschalter bzw. eine Sicherung mit Nennwerten entsprechend des Stromzweigs, an dem der Kompressor betrieben wird. Wenn der Stromkreis, an dem der Kompressor angeschlossen ist, durch eine Sicherung abgesichert ist, verwenden Sie Sicherungen vom Typ "Träge".

WICHTIG

Lesen Sie vor Benutzung dieses Geräts die Sicherheitsrichtlinien und ALLE Anleitungen sorgfältig durch.

Symbole

Im Folgenden sind die im Zusammenhang mit diesem Werkzeug verwendeten Symbole dargestellt. Machen Sie sich vor der Benutzung des Geräts unbedingt mit diesen Symbolen vertraut.



..... Lesen Sie die vorliegende Betriebsanleitung.



..... Gefahr eines Stromschlags
Achtung: vor dem Ausführen von Arbeiten am Kompressor muss der Kompressor vom Stromnetz getrennt werden.



..... Gefährlich hohe Temperaturen
Achtung: einige Teile des Kompressors können gefährlich hohe Temperaturen erreichen.



..... Gefahr eines versehentlichen Starts
Achtung: bei einem Ausfall der Netzspannung kann der Kompressor automatisch starten, wenn die Netzspannung wieder zugeschaltet wird.



..... Tragen Sie eine Schutzbrille.



..... Nur für EU-Länder
**Werfen Sie Elektrowerkzeuge nicht in den Hausmüll!
Gemäss Europäischer Richtlinie 2002/96/EG über Elektro- und Elektronik-Altgeräte und Umsetzung in nationales Recht müssen verbrauchte Elektrowerkzeuge getrennt gesammelt und einer umweltgerechten Wiederverwertung zugeführt werden.**

WICHTIGE SICHERHEITSANWEISUNGEN

WARNUNG

LESEN SIE ALLE ANWEISUNGEN SORGFÄLTIG DURCH


Werden nicht alle der unten aufgeführten Anweisungen befolgt, besteht die Gefahr eines Stromschlags, Brands und/oder die Gefahr schwerer Verletzungen.



BEWAHREN SIE DIESE ANWEISUNGEN SORGFÄLTIG AUF.

ARBEITSBEREICH

1. **Achten Sie auf einen sauberen und gut beleuchteten Arbeitsbereich.** In unordentlichen und dunklen Bereichen können schnell Unfälle passieren.
2. **Betreiben Sie Elektrowerkzeuge niemals in explosionsgefährdeten Umgebungen, wie etwa in der Nähe von brennbaren Flüssigkeiten, Gasen oder Staub.** Bei Elektrowerkzeugen können Funken entstehen, die Staub und Dämpfe entzünden können.
3. **Halten Sie beim Umgang mit Elektrowerkzeugen Unbeteiligte und insbesondere Kinder auf Abstand.** Ablenkung kann zu Kontrollverlust führen. Schützen Sie andere Personen in der Nähe des Arbeitsbereichs vor Nebenprodukten wie Späne und Funken. Errichten Sie ggf. Absperrungen oder Abschirmungen. Kindern sollte der Aufenthalt im Arbeitsbereich grundsätzlich nicht gestattet werden.
4. **Die angemessene Raumtemperatur liegt zwischen +5°C und +30°C. (maximal zwischen 0°C bis +40°C)**

 **WARNUNG**
EIN UNSACHGEMÄSSES AUSFÜHREN VON BEDIENHANDLUNGEN ODER WARTUNGSARBEITEN KANN ZU SCHWEREN VERLETZUNGEN UND ZU SACHSCHÄDEN FÜHREN.
STELLEN SIE VOR DER VERWENDUNG DIESES GERÄTS SICHER, DASS SIE ALLE WARNUNGEN UND BEDIENUNGSANLEITUNGEN GELESEN UND VERSTANDEN HABEN.

WARNUNG

Risiken bei unsachgemäßer Verwendung WAS KANN GESCHEHEN

Wenn Sie bei Betrieb des Geräts die Sicherheitsvorschriften missachten, können Sie oder andere Personen schwere Verletzungen erleiden.

SO KÖNNEN SIE DIES VERHINDERN

- Stellen Sie sicher, dass Sie alle in diesem Handbuch enthaltenen Anweisungen und Warnungen gelesen und verstanden haben.
- Machen Sie sich mit der Bedienung und den Bedienelementen des Druckluftkompressors vertraut.
- Halten Sie andere Personen, Haustiere und Hindernisse vom Arbeitsbereich fern.
- Halten Sie unbedingt Kinder vom Druckluftkompressor fern.
- Bedienen Sie das Produkt nicht, wenn Sie geschwächt sind oder unter dem Einfluss von Alkohol oder Medikamenten stehen. Seien Sie zu jeder Zeit wachsam.
- Setzen Sie niemals die Sicherheitseinrichtungen dieses Produkts außer Kraft.
- Halten Sie im Arbeitsbereich einen Feuerlöscher bereit.
- Betreiben Sie das Gerät nicht, wenn Teile fehlen oder defekt sind oder nicht vom Hersteller zugelassen wurden.

WARNUNG



Gefahr einer Explosion des Druckluftbehälters

WAS KANN GESCHEHEN

Unter den folgenden Umständen kann es zu einer Schwächung des Druckluftbehälters kommen. Dies kann zu einer ENERGIEREICHEN EXPLOSION DES DRUCKLUFTBEHÄLTERS FÜHREN, DURCH DIE SIE ODER ANDERE SCHWERE VERLETZUNGEN ERLEIDEN KÖNNEN:

- Wenn das Kondenswasser nicht vorschriftsgemäß aus dem Druckluftbehälter abgelassen wird, kann es zu Rostbildung und damit zu einer Schwächung der Behälterwand kommen.
- Veränderungen oder Reparaturversuche am Behälter.
- Unzulässige Veränderungen an Druckschalter, Sicherheitsventil oder sonstigen Bauteilen zur Regelung des Drucks im Behälter.

SO KÖNNEN SIE DIES VERHINDERN

- Lassen Sie täglich oder nach jedem Gebrauch die Druckflasche ab. Wenn sich ein Leck am Druckluftbehälter gebildet hat, tauschen Sie den Behälter sofort durch einen neuen Behälter aus oder ersetzen Sie den Kompressor komplett durch einen neuen Kompressor.
- Nehmen Sie keine Bohrungen, Schweißarbeiten oder sonstige Veränderungen am Druckluftbehälter vor, die zu einer Schwächung der Behälterwände führen könnten. Der Behälter könnte dadurch aufreißen oder explodieren. Ersetzen Sie den Behälter durch einen neuen.
- Halten Sie die Empfehlungen des Herstellers des Geräts ein und sorgen Sie dafür, dass die maximal zulässigen Drücke der Bauteile und -werkzeuge niemals überschritten werden. Verwenden Sie den Kompressor niemals, um Niederdruck-Objekte wie z. B. Kinderspielzeuge, Fußbälle, Basketbälle usw. aufzupumpen.

WARNUNG



Gefahr der Explosion von Anbauteilen und -werkzeugen und von Zubehörteilen

WAS KANN GESCHEHEN

Bei Überschreiten des zulässigen Drucks von Druckluftgeräten, Spritzpistolen, druckluftbetriebenen Geräten, Fahrzeugreifen ODER anderen aufblasbaren Gegenständen können diese explodieren oder auseinanderfliegen, wodurch Sie oder andere Personen schwere Verletzungen erleiden können.

WARNUNG



Gefahr eines Stromschlags

WAS KANN GESCHEHEN

- Dieser Druckluftkompressor wird durch Elektroenergie angetrieben. Wie bei allen elektrisch betriebenen

Geräten kann es bei unsachgemäßem Gebrauch dieses Geräts zu einem Stromschlag kommen.

- Elektrische Erdung: Wenn dieses Produkt nicht sachgemäß geerdet ist, erhöht sich die Gefahr eines Stromschlags.

SO KÖNNEN SIE DIES VERHINDERN

- Die elektrische Verkabelung und Reparaturen, die an diesem Produkt erforderlich sind, müssen entsprechend den vor Ort geltenden gesetzlichen Bestimmungen zu Elektroarbeiten von qualifiziertem Servicepersonal oder von einem zugelassenen Elektriker ausgeführt werden.
- Stellen Sie sicher, dass der elektrische Stromkreis, an den dieser Kompressor angeschlossen ist, eine ordnungsgemäße Erdung und die korrekte Spannung bereitstellt und ordnungsgemäß durch Sicherungen geschützt ist.
- Betreiben Sie den Kompressor niemals bei Regen im Freien oder in einer feuchten Umgebung.
- Betreiben Sie den Kompressor niemals, wenn Schutzabdeckungen oder Gehäuseteile beschädigt sind oder fehlen.

WARNUNG



Gefahr einer Explosion oder eines Brandes

WAS KANN GESCHEHEN

Beim Starten oder Stoppen des Kompressors kann es im Motor- oder im Druckschalter zu Funkenbildung kommen. Dies ist bei elektrischen Geräten normal. Betreiben Sie den Kompressor niemals in einer Atmosphäre, in der entflammbare Gase oder Dämpfe vorhanden sind. Anderenfalls können Sie oder andere Personen schwere Verletzungen erleiden.

SO KÖNNEN SIE DIES VERHINDERN

- Betreiben Sie den Kompressor immer in einem gut belüfteten Bereich, in dem keine Dämpfe von Kraftstoffen oder Lösungsmitteln vorhanden sind.
- Positionieren Sie den Kompressor beim Spritzen von entflammaren Materialien mindestens 6,1 m entfernt vom Spitzbereich weg.
- Lagern Sie entflammare Materialien in einer sicheren Entfernung vom Kompressor.

WARNUNG



Gefahr für die Atmung

WAS KANN GESCHEHEN

- Die von diesem Kompressor erzeugte Druckluft ist nicht für die Atmung geeignet. Die Luft kann Kohlenmonoxid oder sonstige Gase oder Dämpfe und Partikel vom Behälter oder anderen Bauteilen enthalten.
- Verspritzte Materialien wie Farben, Farblösungsmittel, Farbenferner, Insektizide, Unkrautvertilgungsmittel usw. enthalten gesundheitsschädliche Dämpfe und Gifte.
- Das Einatmen von Kompressor-Druckluft oder verspritzten Materialien kann zu schweren Verletzungen und Gesundheitsschäden führen.

SO KÖNNEN SIE DIES VERHINDERN

- Atmen Sie niemals die Druckluft aus dem Kompressor ein, weder direkt noch über ein an den Kompressor angeschlossenes Beatmungsgerät. Führen Sie die Arbeiten in einem gut durchlüfteten Bereich aus.
- Lesen Sie die Sicherheitsanweisungen auf dem Typenschild und die Sicherheitshinweise auf dem Merkblatt zum verwendeten Material und halten Sie diese Anweisungen unbedingt ein. Verwenden Sie einen zugelassenen Atemschutz, der für Ihren konkreten Anwendungsfall geeignet ist.

WARNUNG

Gefahr durch Lärm



Gefahr durch Druckluft



WAS KANN GESCHEHEN

Der Druckluftstrom kann Schäden an Weichteilen verursachen und zum Beschleunigen von Schmutzteilchen, Spänen, losen Partikeln und kleinen Gegenständen auf hohe Geschwindigkeiten führen. Dadurch kann es zu Verletzungen und Sachschäden kommen.

SO KÖNNEN SIE DIES VERHINDERN

- Tragen Sie bei Verwendung oder Wartung des Kompressors immer eine zugelassene Schutzbrille mit Seitenschutz.
- Richten Sie Düsen oder Sprühdüsen niemals auf Körperteile oder auf Personen oder Tiere.
- Schalten Sie vor Wartungsarbeiten und dem Anbringen von Werkzeugen oder Zubehörteilen den Kompressor immer aus und lassen Sie den Druck aus der Druckluftleitung ab.

WARNUNG

Gefahr durch sich bewegende Teile



WAS KANN GESCHEHEN

Wenn sich der Druckschalter in der Position "On/Auto" (Ein/Automatisch) befindet, schaltet der Kompressor automatisch ein und aus. Beim Ausführen von Reparaturen oder Wartungsarbeiten bei eingeschaltetem oder an die Stromversorgung angeschlossenem Kompressor kann es zum Berühren von sich bewegenden Teilen kommen. Diese sich bewegenden Teile können schwere Verletzungen verursachen.

SO KÖNNEN SIE DIES VERHINDERN

- Trennen Sie vor dem Ausführen von Wartungsarbeiten oder Reparaturen den Kompressor immer vom Stromnetz und lassen Sie den Druck aus dem Druckluftbehälter und allen angeschlossenen Werkzeugen und Geräten ab.
- Betreiben Sie den Kompressor niemals, wenn Schutzabdeckungen oder Gehäuseteile beschädigt sind oder fehlen.
- Halten Sie Haar, Kleidung und Handschuhe fern von beweglichen Teilen. Weite Kleidung, Schmuck und

langes Haar können sich in den beweglichen Teilen verfangen.

- Auch Lüftungsoffnungen können sich bewegende Teile verdecken und sollten daher ebenfalls gemieden werden.

WARNUNG

Verbrennungsgefahr



WARNUNG

Betreiben Sie den tragbaren Kompressor nicht, wenn Klappen geöffnet sind oder Gehäuseteile fehlen!



WARNUNG

Öffnen Sie den Hahn erst, nachdem der Druckluftschlauch angeschlossen wurde!



WAS KANN GESCHEHEN

Bei Berühren von erhitzten Teilen wie z. B. Zylinderkopf oder Auslassrohren des Kompressors kann es zu schweren Verbrennungen der Haut kommen.

SO KÖNNEN SIE DIES VERHINDERN

- Berühren Sie während oder kurz nach dem Betrieb des Kompressors niemals erhitzte Teile. Greifen Sie nicht um Schutzbleche herum und lassen Sie das Gerät vor dem Ausführen von Wartungsarbeiten ausreichend abkühlen.
- Griff zum Anheben: ergreifen Sie den Griff nur zum Umsetzen oder Transportieren des Kompressors.
- Um Verletzungen zu vermeiden, berühren Sie nicht den Zylinder, den Zylinderkopf, den Druckluftschlauch oder sonstige warme Bauteile, wenn der Kompressor in Betrieb ist. Warten Sie nach dem Ausschalten des Kompressors 1 Stunde, bevor Sie derartige Bauteile berühren.

WARNUNG

Transport

- Die maximal zulässige Schräglage beim Transport beträgt 30°.
- Ziehen Sie den Kompressor nicht mit Hilfe eines Fahrzeugs.
- Benutzen Sie den Kompressor nicht in einem Umfeld mit brennbaren, explosionsgefährdeten oder ätzenden Atmosphären.

BEGRIFFSERKLÄRUNG

CFM: Cubic Feet per Minute (Kubik-Fuß je Minute = 0,0283 Kubikmeter je Minute)

SCFM: Standard Cubic Feet per Minute (Standard-Kubik-Fuß je Minute); eine Maßeinheit für die Luftmenge

PSIG: Pounds per Square Inch Gauge (Pfund je Quadrat-Zoll = 6,895 kPa); eine Maßeinheit für den Druck

EINSCHALTDRUCK: Bei ausgeschaltetem Motor fällt der Druck im Druckluftbehälter bei Weiterverwendung der angeschlossenen Druckluftgeräte und -werkzeuge. Wenn der Druck im Behälter einen bestimmten Wert unterschreitet, startet der Motor automatisch wieder; dieser Wert wird "Einschaltdruck" genannt.

AUSSCHALTDRUCK: Beim Einschalten des Druckluftkompressors wird der Motor gestartet und im Druckluftbehälter wird Druck aufgebaut. Bei Erreichen eines bestimmten Drucks schaltet der Motor automatisch ab - dadurch wird verhindert, dass der Druck im Drucklufttank über den zulässigen Wert steigt. Der Druck, bei dem der Motor ausschaltet, wird "Ausschaltdruck" genannt.

ARBEITSZYKLUS

Für alle Druckluftkompressoren von Makita wird empfohlen, diese maximal in einem Arbeitszyklus von 50 % zu betreiben. Dies bedeutet, dass ein Druckluftkompressor, der mehr als 50 % einer Stunde in eingeschaltetem Betrieb läuft, unsachgemäß verwendet wird, da der Druckluftkompressor für die benötigte Luftmenge zu klein dimensioniert ist.

ALLGEMEINE INFORMATIONEN

Dieser Druckluftkompressor ist mit einer ölfreien Pumpe ausgestattet und arbeitet eine lange Standzeit wartungsfrei.

Der Kompressor kann für Druckluftnagler oder Druckluftklammerer mit entsprechender Nennleistung verwendet werden. Für diese Werkzeuge wird ein Druckluftregler geliefert.

WARNUNG:

Verwenden Sie den Kompressor ausschließlich für den Nagler oder Klammerer mit der entsprechenden Nennleistung. Die Verwendung des Kompressors für andere Anwendungen kann zu Sach- und Personenschäden führen.

Gegebenenfalls ist ein separater Druckluftwandler zu verwenden, der die Funktionen für Druckregelung und/oder Entfeuchtung und Reinigung der Druckluft kombiniert.

KONTROLLE BEI ANLIEFERUNG

SCHÄDEN: Jeder einzelne Druckluftkompressor wurde vor Auslieferung sorgfältig getestet und überprüft. Bei unsachgemäßem Umgang kann es während des Transports zu Schäden kommen, die zu Problemen beim Betrieb des Kompressors führen können.

Überprüfen Sie das Gerät sofort nach Wareneingang auf nicht sichtbare und sichtbare Beschädigungen, um Folgekosten für die nachträgliche Behebung derartiger Probleme zu vermeiden. Diese Überprüfung sollte auch dann erfolgen, wenn der Transportbehälter keine sichtbaren Schäden aufweist. Wenn dieses Produkt direkt an Sie geliefert wurde, melden Sie jegliche Schäden an den Spediteur und sorgen Sie für eine sofortige Überprüfung der gelieferten Waren.

LAGERUNG

Stellen Sie vor der Einlagerung des Druckluftkompressors Folgendes sicher:

1. Lesen Sie die Abschnitte "Wartung" und "Bedienung" und führen Sie ggf. notwendige Wartungsarbeiten aus. Lassen Sie unbedingt das Kondenswasser aus dem Druckluftbehälter ab.

2. Schützen Sie das Elektrokabel und den Luftschlauch vor Beschädigungen (z. B. durch Drauftreten oder Überfahren).

Lagern Sie den Druckluftkompressor an einem sauberen und trockenen Ort.

BEDIENUNG

ABLASSVENTIL: Das Ablassventil befindet sich am Boden des Druckluftbehälters und dient zum Ablassen von Kondenswasser nach jedem Gebrauch.

THERMOSCHUTZSCHALTER:

Der Elektromotor ist mit einem manuell betätigten Thermoschutzschalter zum Zurücksetzen ausgestattet. Wenn der Motor aus irgendeinem Grund überhitzt, schaltet dieser Schutzschalter den Motor aus. Schalten Sie den Druckschalter in die Position "OFF" (AUS) und warten Sie, bis sich das Gerät abgekühlt hat, bevor Sie die Wiedereinschalttaste drücken und den Kompressor neu starten.

THERMISCHER ÜBERLASTSCHUTZ FÜR MOTOR:

Wird der Nennstrom des Motors überschritten, öffnet der Thermoschutzschalter und schaltet den Motor automatisch ab.

Vor einem Neustart muss der Motor auskühlen können. Der Kompressor wird automatisch nach dem Motor neugestartet.

SCHALTER "ON/AUTO - OFF" (EIN/AUTOMATISCH - AUS)

Schalten Sie diesen Schalter auf "ON" (EIN), damit der Druckschalter automatisch ein- bzw. ausschaltet; schalten Sie diesen Schalter auf "OFF" (AUS), wenn der Kompressor nicht mehr benötigt wird oder unbeaufsichtigt bleibt.

LUFTEINLASSFILTER:

Dieser Filter dient zum Reinigen der in den Kompressor eingesaugten Luft. Dieser Filter muss zu jeder Zeit sauber und frei von Hindernissen sein. Siehe "Wartung".

DRUCKLUFTKOMPRESSORZYLINDER:

Der Kolben im Zylinder bewegt sich hoch und runter und verdichtet so die Luft. Bei der Abwärtsbewegung wird Luft über das Lufteinlassventil angesaugt. Das Auslassventil ist geschlossen.

Bei der Aufwärtsbewegung wird die Luft verdichtet. Das Einlassventil ist geschlossen und die verdichtete Luft wird durch das Auslassventil, die Auslassleitung und das Rückschlagventil in den Druckluftbehälter gedrückt. Druckluft steht erst dann zur Verfügung, wenn im Druckluftbehälter des Kompressors ein Druck aufgebaut wurde, der höher als der am Luftauslass erforderliche Druck ist.

RÜCKSCHLAGVENTIL:

Wenn der Kompressor arbeitet, ist das Rückschlagventil "geöffnet" und die verdichtete Luft kann in den Behälter gelangen. Wenn der Druckluftverdichter den "Ausschaltdruck" erreicht, wird das Rückschlagventil "geschlossen" und der Luftdruck im Behälter wird aufrechterhalten.

DRUCKSCHALTER-SCHALTVENTIL:

Das Druckschalter-Schaltventil an der Seite des Druckschalters dient zum automatischen Ablassen der Druckluft aus dem Zylinderkopf und der Auslassleitung, wenn der Druckluftkompressor den "Ausschalt"-Druck erreicht.

DRUCKSCHALTER:

Der Druckschalter startet den Motor automatisch, wenn der Druck im Druckluftbehälter unter den werkseitig eingestellten "Einschalt"-Druck fällt. Wenn der Druck im Druckluftbehälter den werkseitigen "Ausschalt"-Druck erreicht, schaltet der Druckschalter den Motor automatisch aus.

SICHERHEITSVENTIL:

Sollte der Fall auftreten, dass der Druckschalter den Kompressor bei Erreichen des eingestellten „Ausschalt“-Drucks nicht ausschaltet, schützt das Sicherheitsventil vor einem unzulässig hohen Druck, indem es bei einem werkseitig eingestellten Druck, der etwas höher als der werkseitig eingestellte "Ausschalt-Druck" des Druckschalters ist, „anspricht“ und Luft ablässt.

AUSLASSDRUCKANZEIGE:

Die Auslassdruckanzeige zeigt den Luftdruck an, der an der Auslassseite des Druckreglers zur Verfügung steht. Dieser Druck wird durch den Regler geregelt und ist nie höher als der Druck im Druckluftbehälter. Siehe "Bedienung"

BEHÄLTERDRUCKANZEIGE:

Die Behälterdruckanzeige zeigt den Luftdruck im Druckluftbehälter an.

REGLER:

Der aus dem Druckluftbehälter anliegende Luftdruck wird anhand des Reglerknopfs geregelt. Drehen Sie den Knopf in Uhrzeigerichtung, um einen höheren Druck einzustellen, und entgegen der Uhrzeigerichtung, um einen niedrigeren Druck einzustellen. Um bei einer Änderung der Druckeinstellungen geringfügige Nacheinstellungen zu vermeiden, sollten Sie den gewünschten Druck immer von einem geringeren Druck ausgehend einstellen. Wenn Sie den eingestellten Druck auf einen niedrigeren Wert als den zurzeit eingestellten Wert einstellen möchten, stellen Sie zuerst einen geringeren Druck als den gewünschten Druck ein. In Abhängigkeit von der vom jeweiligen Werkzeug benötigten Druckluft muss der geregelte Luftdruck am Auslass möglicherweise während der Arbeit eingestellt werden.

DRUCKLUFTAUSLASS; Markierung "HP"
ausschließlich für Hochdruck-Werkzeuge zu verwenden
Max. Auslassdruck: 2,6 MPa (26 bar)

DRUCKLUFTAUSLASS; Markierung "RP"
für Normaldruck-Werkzeuge zu verwenden
Max. Auslassdruck: 0,9 MPa (9 bar)

VERFAHREN FÜR INSTALLATION UND INBETRIEBNAHME

AUFSTELLORT FÜR DEN DRUCKLUFTKOMPRESSOR

Stellen Sie den Druckluftkompressor an einem sauberen, trockenen und gut belüfteten Ort auf. Der Luftfilter muss sauber und frei von Hindernissen sein, die die Luftzufuhr zum Kompressor verhindern könnten. Der Druckluftkompressor sollte in einem Abstand von mindestens 0,3 m von Wänden oder anderen Hindernissen für den Luftstrom aufgestellt werden. Kopf und Abdeckung des Kompressors sind so ausgelegt, dass eine ausreichende Kühlung erfolgt. Bei hoher Luftfeuchte kann ein Luftfilter am Luftauslass angebracht werden, um Feuchtigkeit aus der Luft zu filtern. Installieren Sie den Filter ordnungsgemäß anhand der dem Luftfilter beiliegenden Anleitung.

Positionieren Sie den Druckluftkompressor auf einer ebenen Fläche, sodass dieser sicher auf den Gummifüßen ruht.

SCHMIERUNG

Dieser Druckluftkompressor ist mit einer ölfreien Pumpe ausgestattet und arbeitet eine lange Standzeit wartungsfrei.

Stromversorgung

Betreiben Sie den Kompressor mit der auf dem Typenschild angegebenen Netzspannung; die zulässige Abweichung beträgt $\pm 5\%$. Wenn der Kompressor mit einer höheren Spannung als der angegebenen Spannung betrieben wird, führt dies zu unzulässig hohen Drehzahlen des Motors und möglicherweise zu Schäden am Gerät oder zum Durchbrennen des Motors.

Verlängerungskabel

Um eine zu niedrige Spannung, Leistungsverluste und eine Überhitzung des Motors zu vermeiden, sollten Sie anstatt elektrischer Verlängerungskabel einen zusätzlichen Luftschauch verwenden. Durch eine zu niedrige Spannung kann der Motor beschädigt werden.

Wenn die Verwendung eines Verlängerungskabels unvermeidlich ist:

- Verwenden Sie ausschließlich ein zugelassenes dreidrahtiges Verlängerungskabel mit dreipoligem Schutzkontaktstecker und dreipoliger Schutzkontakt-Steckdose, in die der Stecker des Druckluftkompressors passt.
- Stellen Sie sicher, dass das Verlängerungskabel keine Beschädigungen aufweist.

In der folgenden Tabelle sind die MINDEST-Anforderungen für ein Verlängerungskabel aufgeführt:

Zulässiger Spannungsbereich (220 bis 240 V)	Gesamtlänge des Kabels in Meter					
	10 m 25 Fuß	15 m 50 Fuß	20 m 75 Fuß	30 m 100 Fuß	50 m 150 Fuß	60 m 200 Fuß
0 - 5 A	1,5 mm ²	1,5 mm ²	1,5 mm ²	2,5 mm ²	4 mm ²	4 mm ²
5,1 - 8 A	1,5 mm ²	1,5 mm ²	2,5 mm ²	4 mm ²	4 mm ²	4 mm ²
8 - 12 A	2,5 mm ²	2,5 mm ²	4 mm ²	nicht empfohlen		

Rohrleitungen

Kunststoff- und PVC-Rohre sind nicht für Druckluft vorgesehen. Kunststoffrohre können, unabhängig vom zulässigen Höchstdruck, durch Druckluft bersten. Verwenden Sie als Verteilerleitungen für Druckluft ausschließlich Metallrohre. Wenn eine Rohrleitung benötigt wird, verwenden Sie Rohre mit gleichem oder größerem Durchmesser als der Auslass des Luftbehälters. Rohrleitungen mit zu geringem Durchmesser behindern den Luftstrom. Wenn die Rohrleitung länger als 30 m ist, verwenden Sie den nächstgrößeren Durchmesser. Verlegen Sie Rohrleitungen in der Erde tiefer als die Frostgrenze und vermeiden Sie tiefer liegende Stellen, an denen sich Kondenswasser ansammeln und gefrieren kann. Beaufschlagen Sie in die Erde verlegte Rohrleitungen mit Druck, um sicherzustellen, dass alle Rohrleitungsverbindungen dicht sind, bevor Sie Erdreich auffüllen.

Vorschriften zur Erdung

⚠️ WARNUNG: Gefahr eines Stromschlags! Bei Auftreten eines Kurzschlusses verringert die Erdung die Gefahr eines Stromschlags, da der elektrische Strom über die Erdungsleitung abfließen kann. Dieser Druckluftkompressor muss ordnungsgemäß geerdet werden.

Dieser Druckluftkompressor ist mit einem Netzkabel ausgestattet, das über eine Erdungsleitung und einen ordnungsgemäßen Schutzkontaktstecker verfügt. Der Stecker muss an einer Steckdose angeschlossen werden, die entsprechend den örtlichen Gesetzen und Bestimmungen installiert und geerdet wurde. Die Steckdose muss dem Stecker entsprechen. VERWENDEN SIE KEINEN ADAPTER.

Überprüfen Sie den Stecker und das Kabel vor jeder Nutzung des Geräts. Wenn Anzeichen einer Beschädigung sichtbar sind, verwenden Sie das Gerät nicht!

GEFAHR:

Bei unsachgemäßer Erdung kann es zu einem Stromschlag kommen. Nehmen Sie keine Veränderungen am mitgelieferten Stecker vor. Wenn der Stecker nicht in die Steckdose passt, muss ein ausgebildeter Elektriker eine korrekte Steckdose installieren.

BEDIENUNG

Tägliche Überprüfungen vor der Inbetriebnahme

INSTALLIEREN VON SCHLÄUCHEN

⚠️ WARNUNG:

Gefahr bei unsachgemäßer Handhabung! Halten Sie den Schlauch beim Anschließen und Abtrennen fest in der Hand, um ein Ausschlagen des Schlauchs zu verhindern.

Der Kontrollverlust über den Schlauch kann zu Sach- und Personenschäden führen.

1. Stellen Sie vor dem Anschließen von Luftschlauch und Werkzeugen sicher, dass der Hebel des Druckschalters auf der Position "OFF" (AUS) steht und dass der Luftregler bzw. das Rückschlagventil geschlossen ist.
2. Schließen Sie Schlauch und Werkzeug an. Bei einem zu hohen Luftdruck besteht die hohe Gefahr eines Berstens. Informieren Sie sich über die Angaben des Herstellers zu den zulässigen Drücken für die entsprechenden Druckluftwerkzeuge und Anbauteile. Der Druck am Auslass des Reglers darf niemals diesen maximalen Druck überschreiten.
3. Bringen Sie den Hebel des Druckschalters in die Position "ON/AUTO", damit sich im Behälter der entsprechende Luftdruck aufbauen kann. Wenn der Druck im Behälter den "Ausschalt"-Druck erreicht hat, wird der Motor ausgeschaltet.
4. Öffnen Sie den Regler durch Drehen des Knopfes in Uhrzeigerichtung. Stellen Sie den Regler auf den korrekten Druck ein. Der Kompressor ist nun betriebsbereit.
5. Betreiben Sie den Kompressor immer in einem gut belüfteten Bereich, in dem keine Dämpfe von Kraftstoffen oder sonstigen Lösungsmitteln vorhanden sind. Betreiben Sie den Kompressor nicht im Spritzbereich.

Nach Beendigung der Arbeiten:

ABTRENNEN VON SCHLÄUCHEN:

⚠️ WARNUNG:

Gefahr bei unsachgemäßer Handhabung! Halten Sie den Schlauch beim Anschließen und Abtrennen fest in der Hand, um ein Ausschlagen des Schlauchs zu verhindern.

Der Kontrollverlust über den Schlauch kann zu Sach- und Personenschäden führen.

6. Bringen Sie den Hebel des Druckschalters in die Position "OFF" (AUS).

7. Lassen Sie über das Druckluftwerkzeug bzw. Anbauteil den Druck im Behälter auf Null herab.
8. Montieren Sie das Druckluftwerkzeug bzw. Anbauteil ab.
9. Öffnen Sie den Hahn des Ablassventils an der Unterseite des Behälters, um das Kondenswasser aus dem Tank abzulassen. **IM DRUCKLUFTBEHÄLTER BILDET SICH KONDENSWASSER. WENN DIESES KONDENSWASSER NICHT ABGELASSEN WIRD, BILDET SICH ROST, WODURCH DIE WÄNDE DES BEHÄLTERS GESCHWÄCHT WERDEN; DADURCH KANN ES ZU EINER EXPLOSION DES BEHÄLTERS KOMMEN.**

Hinweis:

Wenn das Ablassventil verstopft ist, lassen Sie den Luftdruck vollständig ab. Das Ventil kann dann ausgebaut, gereinigt und wieder eingebaut werden.

10. Nachdem das Kondensat vollständig abgeflossen ist, schließen Sie das Ablassventil wieder. Der Druckluftkompressor kann nun eingelagert werden.

⚠️ WARNUNG:

Lassen Sie die Druckflasche ordnungsgemäß ab. Ein unsachgemäßes Ablassen der Druckflasche kann zu Korrosion und möglicherweise zu einem Zerschlagen der Flasche führen. Ein Zerschlagen der Flasche kann zu Sach- und Personenschäden führen. Die weiteren Anweisungen in der originalen Warnung wiederholen lediglich die Aussagen des obigen Punkt 9. Des weiteren wird nicht angegeben, dass der Kompressor ausgeschaltet werden muss.

WARTUNG

⚠️ WARNUNG:

Verwenden Sie niemals einen Druckluftkompressor, der sich ungewöhnlich verhält.

Wenn sich der Druckluftkompressor ungewöhnlich verhält, ungewöhnliche Geräusche oder Vibrationen erzeugt, stellen Sie den Betrieb des Kompressors sofort ein und sorgen Sie für eine Reparatur durch ein von Makita autorisiertes Kundendienstzentrum.

⚠️ WARNUNG:

Verwenden Sie ausschließlich originale Makita Ersatzteile. Bei Verwendung von Ersatzteilen, die nicht von Makita hergestellt wurden, können Garantieansprüche verloren gehen und es kann zu Fehlfunktionen und zu Verletzungen kommen. Originale Makita Ersatzteile erhalten Sie bei einem autorisierten Händler.

⚠️ WARNUNG:

DAS GERÄT SCHALTET SICH AUTOMATISCH EIN UND AUS, WENN DIE STROMVERSORGUNG EINGESCHALTET IST. IN DIESEM FALL KÖNNEN SIE BEI WARTUNGSARBEITEN MIT SPANNUNG FÜHRENDEN ODER SICH BEWEGENDEN TEILEN ODER MIT DRUCKLUFT IN BERÜHRUNG KOMMEN. DIES KANN ZU VERLETZUNGEN FÜHREN. ZIEHEN SIE UNBEDINGT DEN STECKER AUS DER STECKDOSE UND LASSEN SIE DIE DRUCKLUFT VOLLSTÄNDIG AB, BEVOR SIE WARTUNGSARBEITEN VORNEHMEN.

Um einen effizienten Betrieb und eine lange Lebensdauer des Druckluftkompressors sicherzustellen, sollte ein Plan für routinemäßige Wartung aufgestellt und eingehalten werden. Der im Folgenden aufgeführte Wartungsplan bezieht sich auf ein Gerät, das täglich in einer gewöhnlichen Arbeitsumgebung betrieben wird. Der Wartungsplan kann ggf. abgeändert und an die Einsatzbedingungen des Kompressors angepasst werden. Die Abänderungen sind von den Betriebsstunden und den Arbeitsbedingungen abhängig. Bei Kompressoren, die in einer extrem verschmutzten und/oder auf andere Weise abträglichen Umgebung betrieben werden, müssen alle Wartungsüberprüfungen und -arbeiten häufiger vorgenommen werden.

PLAN FÜR ROUTINEMÄSSIGE WARTUNG

1. Lassen Sie aus dem Druckluftbehälter, allen Entfeuchtern und Umformern das Kondensat ab.
2. Überprüfen Sie auf ungewöhnliche Geräusche und/oder Vibrationen.
3. Überprüfen Sie alle Sicherheitsventile manuell, um ihre ordnungsgemäße Funktion sicherzustellen.

⚠️ WARNUNG: Gefahr des Berstens!
Prüfen Sie das Sicherheitsventil. Wenn das Sicherheitsventil nicht ordnungsgemäß funktioniert, kann ein Überdruck der Druckflasche zu einem Zerbersten oder einer Explosion und somit zu Personen- und Sachschäden führen.

4. Überprüfen Sie den Luftfilter und ersetzen Sie diesen ggf.
5. Überprüfen Sie die Luftleitungen und Anschlüsse auf Lecks und beheben Sie diese ggf.
 Nach jedem Betriebsjahr oder bei Verdacht eines Problems:

- Überprüfen Sie den Zustand des Einlass- und des Auslassventils des Kompressorzylinders.
 - Überprüfen Sie den Zustand des Rückschlagventils. Ersetzen Sie das Ventil, wenn es beschädigt oder abgenutzt ist.
6. Überprüfen Sie alle Schrauben, Bolzen und Abdeckungen auf festen Sitz. Überprüfen Sie den Zustand dieser Teile regelmäßig.

⚠️ WARNUNG:
Überprüfen Sie, dass alle Schrauben, Bolzen und Abdeckungen fest angezogen sind. Falls Schrauben, Platten oder Abdeckungen lose werden, kann dies zu Personen- und Sachschäden führen.

1) FEHLERBEHEBUNG

PROBLEM	URSACHE	ABHILFE
Kompressor startet nicht	Sicherung ist durchgebrannt oder Schutzschalter hat ausgelöst, Elektrische Anschlüsse sind lose, Verlängerungskabel nicht ordnungsgemäß, Motor ist überhitzt	Suchen Sie nach der Ursache. Überprüfen Sie die Kabelverbindungen (max. 15 m, min. 14 A). Betätigen Sie die Wiedereinschalttaste / warten Sie bis zum automatischen Wiedereinschalten.
Druck zu niedrig	Luftleckage in Sicherheitsventil Luftfilter verstopft Rückschlagventil defekt	Überprüfen Sie das Ventil von Hand: ziehen Sie den Ring nach oben. Wenn dies keine Abhilfe schafft, ersetzen Sie das Ventil. Reinigen oder ersetzen Sie den Luftfilter. Ersetzen Sie das Rückschlagventil.
Sicherheitsventil löst aus	Druckschalter defekt oder nicht ordnungsgemäß eingestellt	Überprüfen Sie den Schalter auf ordnungsgemäße Einstellung, ersetzen Sie den Schalter ggf.

2) WARNUNG!

Bei unsachgemäßem Transport oder Anheben kann das Gerät beschädigt werden.

Tägliche Wartung

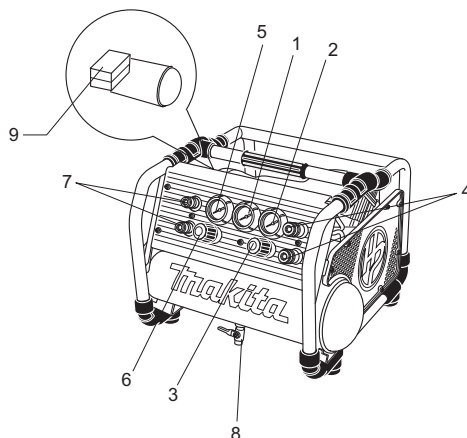
1. Vor jeder Verwendung:
 - A Stellen Sie sicher, dass alle Schrauben und Muttern fest angezogen sind.
 - B Achten Sie auf ungewöhnliche Geräusche und Vibrationen.
2. Nach jeder Verwendung:
 Lassen Sie die Druckluft vollständig aus dem Druckluftbehälter ab. Öffnen Sie den Ablasshahn an der Unterseite des Druckluftbehälters, um das Kondenswasser aus dem Behälter abzulassen.

5. Quartalsweise Wartung:

3. Wöchentliche Wartung:
 - A Überprüfen Sie die Funktion des Sicherheitsventils.
 - B Überprüfen Sie am Druckschalter, dass der zulässige Höchstdruck 2,8 MPa beträgt.
 - C Reinigen Sie den Luftfilter.
4. Monatliche Wartung:
 - A Überprüfen Sie das Luftsystem auf Leckagen. Bringen Sie dazu auf alle Anschluss- und Verbindungselemente Seifenwasser auf. Wenn Sie Leckagen erkennen, ziehen Sie die entsprechenden Anschlüsse nach.
 - B Stellen Sie sicher, dass alle Schrauben und Muttern fest angezogen sind.
 - C Ersetzen Sie den Luftfilter durch einen neuen Filter.
 - D Reinigen Sie die Außenflächen des Druckluftkompressors.
5. Quartalsweise Wartung:
 - A Überprüfen Sie Kolben und Zylinder auf Verschleiß.

Spiegazione della vista generale

1. Manometro del serbatoio
2. Manometro regolato "HP"
3. Regolatore d'aria "HP"
4. Raccordo rapido "HP" (uscita aria)
5. Manometro regolato "RP"
6. Regolatore d'aria "RP"
7. Raccordo rapido "RP" (uscita aria)
8. Valvola di scarico
9. Interruttore a pressione



CARATTERISTICHE TECNICHE

Modello	AC310H
Potenza MAX in ingresso	1800 W
SCFM a 40 PSIG (L/min a 2,8 bar)	3,7 (106 L)
SCFM a 90 PSIG (L/min a 6,2 bar)	3,6 (101 L)
SCFM a 300 PSIG (L/min a 21 bar)	2,7 (77 L)
Pressione di attacco	2,3 MPa (23 bar)
Pressione di stacco	2,8 MPa (28 bar)
Alesaggio x Corsa x Qtà	62 mm x 31 mm x 1,45 mm x 10 mm x 1
Tensione - Monofase	220 - 240 V CA
Frequenza	50 Hz
Numero di giri motore	1420 min ⁻¹
Lubrificazione	Senza olio
Capacità serbatoio	6,2 l
Peso	36 kg
Dimensioni (L x P x A)	476 x 375 x 507 mm
Massima pressione in uscita "HP" (solo per uso pneumatico ad alta pressione)	2,6 MPa (26 bar)
Massima pressione in uscita "RP" (solo per uso pneumatico a pressione regolare)	0,9 MPa (9 bar)
Rumorosità	L _{WA} : 90 dB

• Le caratteristiche tecniche riportate di seguito sono soggette a modifiche senza preavviso in virtù del nostro programma continuo di ricerca e sviluppo.

• Nota: le caratteristiche tecniche possono differire da paese a paese.

Requisiti minimi della linea: 7 A

* È preferibile disporre di un interruttore di circuito. Usare esclusivamente un fusibile o un interruttore di circuito che abbiano la stessa taratura della linea che alimenta il compressore. Se il compressore è collegato a una linea protetta da fusibili, usare fusibili ad azione ritardata.

IMPORTANTE

Leggere la Guida alla sicurezza e TUTTE le istruzioni prima di mettere in funzione il dispositivo.

Simboli

Il seguente elenco riporta i simboli utilizzati per questo apparecchio.

È importante comprenderne il significato prima di utilizzare l'utensile.



..... Leggere il manuale di istruzioni.



..... **Rischio di scossa elettrica.**
Attenzione: prima di effettuare qualunque intervento sul compressore occorre che esso sia scollegato dall'alimentazione elettrica.



..... **Rischio di alte temperature.**
Attenzione: il compressore contiene parti che possono raggiungere temperature elevate.



..... **Rischio di avvio automatico.**
Attenzione, il compressore potrebbe avviarsi automaticamente in caso di mancanza di alimentazione elettrica e del suo successivo ripristino.



..... Indossare occhiali di protezione.



..... **Solo per Paesi UE**
Non gettare le apparecchiature elettriche tra i rifiuti domestici. Secondo la Direttiva Europea 2002/96/CE sui rifiuti di apparecchiature elettriche ed elettroniche e la sua attuazione in conformità alle norme nazionali, le apparecchiature elettriche esauste devono essere raccolte separatamente, al fine di essere riciclate in modo eco-compatibile.

ISTRUZIONI DI SICUREZZA IMPORTANTI

AVVERTENZA

LEEGERE ATTENTAMENTE TUTTE LE ISTRUZIONI

La mancata osservanza delle istruzioni riportate di seguito può provocare scosse elettriche, incendi e/o lesioni gravi.



CONSERVARE QUESTE ISTRUZIONI.

AREA DI LAVORO

1. **Mantenere l'area di lavoro pulita e ben illuminata.**
Nelle aree disordinate e scure è più probabile che si verifichino incidenti.
2. **Non azionare utensili elettrici in ambienti esplosivi, ad esempio in presenza di liquidi infiammabili, gas o polvere.** Gli utensili elettrici producono scintille che possono incendiare polvere o fumi presenti nell'ambiente.
3. **Tenere i bambini, i presenti ed eventuali visitatori lontano dall'area di lavoro mentre si utilizza l'utensile.** Le distrazioni possono far perdere il controllo dell'utensile. Proteggere le altre persone presenti nell'area di lavoro dai detriti, quali schegge e scintille. Se necessario, utilizzare barriere o schermature. Ai bambini non deve essere mai consentito l'accesso all'area di lavoro.
4. **La temperatura ambiente adeguata è compresa fra +5°C e +30°C (da 0°C a +40°C al massimo).**

AVVERTENZA

L'USO O LA MANUTENZIONE IMPROPRI DI QUESTO PRODOTTO POSSONO CAUSARE LESIONI GRAVI E DANNI ALLE COSE.

LEGGERE E COMPRENDERE TUTTE LE AVVERTENZE E LE ISTRUZIONI PER L'USO PRIMA DI USARE QUESTO DISPOSITIVO.

AVVERTENZA

Rischio di uso non sicuro

COSA PUÒ SUCCEDERE

L'uso non sicuro del compressore può causare gravi lesioni all'operatore e ad altri.

COME EVITARLO

- Leggere e comprendere tutte le istruzioni e le avvertenze contenute in questo manuale.
- Acquisire dimestichezza con l'uso e i comandi del compressore.
- Mantenere l'area di lavoro sgombra da altre persone, animali domestici e ostacoli.
- Tenere sempre i bambini lontani dal compressore.
- Non usare il dispositivo se affaticati o sotto l'effetto di alcol o droghe. Prestare sempre attenzione.
- Non escludere mai le funzionalità di sicurezza del prodotto.
- Disporre un estintore nell'area di lavoro.
- Non usare la macchina con parti mancanti, rotte o non autorizzate.

AVVERTENZA

Rischio di esplosione del serbatoio dell'aria.

COSA PUÒ SUCCEDERE

Le seguenti condizioni possono portare a un indebolimento del serbatoio, con il risultato di una VIOLENTA ESPLOSIONE DEL SERBATOIO, CON LESIONI ALL'OPERATORE E AD ALTRI.



- Mancata eliminazione dell'acqua di condensa dal serbatoio, con formazione di ruggine e riduzione dello spessore della parete del serbatoio.
- Modifiche o tentativi di riparazione del serbatoio.
- Modifiche non autorizzate all'interruttore a pressione, alla valvola di sicurezza o ad altre componenti che controllano la pressione del serbatoio.

COME EVITARLO

- Svuotare il serbatoio dell'aria giornalmente o dopo ogni utilizzo. Se il serbatoio dell'aria presenta una perdita, sostituirlo immediatamente con un serbatoio nuovo o sostituire l'intero compressore.
- Non forare, saldare o comunque modificare il serbatoio, per evitare che si indebolisca. Il serbatoio potrebbe rompersi o esplodere. Sostituire con un nuovo serbatoio.
- Seguire le indicazioni del costruttore e non superare mai la pressione massima consentita per gli accessori. Non usare il compressore per gonfiare piccoli oggetti a bassa pressione come giocattoli, palloni, ecc.

AVVERTENZA



Rischio di esplosione degli accessori.

COSA PUÒ SUCCEDERE

Superare il limite di pressione previsto per gli utensili ad aria, pistole, accessori, pneumatici e altri oggetti gonfiabili può far sì che essi esplodano o volino via, con il rischio di gravi lesioni per l'operatore e altre persone.

AVVERTENZA



Rischio di scossa elettrica

COSA PUÒ SUCCEDERE

- Il compressore è alimentato elettricamente. Come qualunque altro dispositivo elettrico, può provocare scosse elettriche se usato in modo non corretto.
- Messa a terra: la mancata messa a terra adeguata di questo dispositivo può aumentare il rischio di scosse elettriche.

COME EVITARLO

- Ogni collegamento o riparazione di natura elettrica di questo prodotto devono essere effettuate da personale di assistenza qualificato o da un elettricista abilitato, secondo le normative locali e nazionali in materia di elettricità.
- Assicurarsi che la linea elettrica a cui è collegato il compressore sia dotata di messa a terra adeguata, abbia la tensione corretta e un'adeguata protezione mediante fusibili.
- Non usare il compressore all'esterno in caso di pioggia o in ambienti umidi.
- Non usare il compressore con protezioni o coperchi danneggiati o assenti.

AVVERTENZA



Rischio di esplosione o di incendio

COSA PUÒ SUCCEDERE

È normale che i contatti elettrici all'interno del motore e gli interruttori a pressione producano scintille durante l'avvio o l'arresto del compressore. Non usare mai il compressore in ambienti in cui siano presenti vapori infiammabili. Questo potrebbe causare lesioni gravi all'operatore e ad altri.

COME EVITARLO

- Usare sempre il compressore in una zona ben ventilata, priva di vapori di benzina o di solventi.
- Se si spruzzano materiali infiammabili porre il compressore a una distanza di almeno 6,1 metri.
- Conservare i materiali infiammabili in un luogo sicuro, lontano dal compressore.

AVVERTENZA



Rischio per la respirazione

COSA PUÒ SUCCEDERE

- L'aria compressa generata dal compressore non deve essere respirata. Il flusso d'aria potrebbe contenere monossido di carbonio o altri vapori, particelle provenienti dal serbatoio o altri componenti.
- I materiali spruzzati, come vernici, solventi per vernici, prodotti svernicianti, insetticidi, diserbanti eccetera, contengono vapori pericolosi e agenti velenosi.
- Respirare i vapori generati dal compressore o dai materiali spruzzati può causare lesioni gravi.

COME EVITARLO

- Non inalare mai aria proveniente dal compressore, sia direttamente che attraverso un dispositivo di respirazione collegato al compressore. Lavorare in un'area sufficientemente aerata.
- Leggere e seguire le istruzioni per la sicurezza riportate sull'etichetta o sulle schede di sicurezza dei materiali che si stanno spruzzando. Usare un respiratore omologato adatto all'utilizzo con l'applicazione specifica.

AVVERTENZA

Rischi derivanti dal rumore



Rischio per aria compressa



COSA PUÒ SUCCEDERE

Il flusso di aria compressa può danneggiare i tessuti molli e può spingere polvere, trucioli, piccole particelle e piccoli oggetti ad alta velocità, causando danni alle cose o alle persone.

COME EVITARLO

- Durante l'uso o la manutenzione del compressore indossare sempre occhiali di sicurezza omologati, dotati di protezioni laterali.
- Non dirigere mai l'ugello o lo spruzzatore verso parti del corpo, o verso altre persone o animali.
- Prima di qualunque intervento di manutenzione o per collegare utensili o accessori, spegnere sempre il compressore e liberare la pressione dal condotto dell'aria.

AVVERTENZA

Rischio da parti in movimento



COSA PUÒ SUCCEDERE

Quando l'interruttore della pressione è in posizione on/ auto, il compressore funziona in modo automatico. Effettuando interventi di riparazione o di manutenzione mentre il compressore è in funzione o collegato all'alimentazione elettrica si corre il rischio di esporsi a parti in movimento. Queste parti possono causare gravi lesioni.

COME EVITARLO

- Prima di ogni intervento di manutenzione o riparazione scollegare sempre il compressore dall'alimentazione elettrica e liberare la pressione dal serbatoio e da tutti gli accessori.
- Non usare il compressore con protezioni o coperchi danneggiati o assenti.
- Mantenere i capelli, i vestiti e i guanti lontano dalle parti mobili. Abiti svolazzanti, gioielli o capelli lunghi possono rimanere impigliati nelle parti mobili.
- Occorre anche prestare attenzione alle aperture di aerazione, che potrebbero coprire parti in movimento.

AVVERTENZA

Rischio di ustioni



AVVERTENZA

Non utilizzare il compressore portatile con gli sportelli e altri scomparti aperti.



AVVERTENZA

Non aprire il rubinetto prima che il tubo dell'aria sia collegato.



COSA PUÒ SUCCEDERE

Il contatto con parti calde, come la testa del compressore o i tubi di uscita, può causare gravi ustioni della pelle.

COME EVITARLO

- Non toccare mai i componenti caldi durante o subito dopo l'uso del compressore. Non toccare i pannelli di protezione o effettuare interventi di manutenzione fino a che l'unità non è raffreddata.
- Manipolazione e sollevamento: tenere l'impugnatura solo quando si sposta o si trasporta il compressore.
- Per evitare lesioni, non toccare il cilindro, la testa del cilindro o il tubo di scarico e altre parti surriscaldate

quando il compressore è in funzione o spento da meno di un'ora.

AVVERTENZA

Trasporto

- a La massima angolazione durante la trazione è di almeno 30°.
- b Non utilizzare veicoli per la trazione.
- c Tenere il compressore lontano da sostanze infiammabili, esplosive o corrosive.

GLOSSARIO

CFM: piedi cubi al minuto.

SCFM: piedi cubi standard al minuto; un'unità di misura della produzione d'aria.

PSIG: libbre per pollice quadrato; un'unità di misura della pressione.

PRESSIONE DI ATTACCO: quando il motore è spento, la pressione nel serbatoio continua a scendere mentre si utilizza l'accessorio per il lavoro. Quando la pressione nel serbatoio raggiunge un certo livello, il motore si riavvia automaticamente: tale pressione è detta "pressione di attacco".

PRESSIONE DI STACCO: accendendo il compressore, la pressione dell'aria nel serbatoio comincia a innalzarsi. Il motore si spegne quando la pressione dell'aria ha raggiunto un certo valore, proteggendo il serbatoio da pressioni maggiori di quella per cui è tarato. La pressione a cui il motore si spegne è detta "pressione di stacco".

CICLO DI UTILIZZAZIONE

Per tutti i compressori costruiti da Makita è consigliato un ciclo di utilizzazione di non più del 50%. Questo significa che un compressore che pompa aria per più del 50% del tempo in un'ora è considerato utilizzato in modo improprio, perché il compressore è sottodimensionato per la richiesta d'aria necessaria.

INFORMAZIONI GENERALI

Questo compressore è dotato di una pompa SENZA OLIO, progettata per durare a lungo e non richiedere interventi di manutenzione.

Il compressore può essere utilizzato per spillatrici e chiodatrici pneumatiche correttamente regolate. Per queste applicazioni è fornito un regolatore di pressione.

AVVERTENZA:

Non usare mai il compressore per applicazioni diverse dall'uso con chiodatrici e spillatrici registrate correttamente. L'uso del compressore per altre applicazioni potrebbe provocare danni agli oggetti e lesioni personali.

Quando necessario dovrebbero essere usati trasformatori d'aria separati che combinino le funzioni di regolazione dell'aria e/o separazione di umidità o pulviscolo.

ISPEZIONE ALLA CONSEGNA

DANNO: la dotazione di ogni compressore viene accuratamente controllata e collaudata prima della

spedizione. È possibile che durante il trasporto, a causa della manipolazione inadeguata, possano manifestarsi dei danni, che possono causare problemi nel funzionamento del compressore.

Nel momento della consegna controllare immediatamente la presenza di danni visibili o nascosti nel materiale, per evitare i costi inerenti alla soluzione di tali problemi. Questo deve essere fatto anche se l'imballaggio non presenta segni visibili di danneggiamento. Se il prodotto vi è stato spedito direttamente, segnalare eventuali danni al corriere e procedere immediatamente all'ispezione del materiale.

CONSERVAZIONE

Prima di riporre il compressore, effettuare le seguenti operazioni:

1. Rivedere le sezioni "Manutenzione" e "Procedure d'uso" ed effettuare la manutenzione se necessario. Assicurarsi di eliminare l'acqua dal serbatoio dell'aria.
2. Proteggere il cavo elettrico e il tubo dell'aria da possibili danni (come essere calpestati).

Riporre il compressore in un locale pulito e asciutto.

DESCRIZIONE DELL'UTILIZZO

VALVOLA DI SCARICO: la valvola di scarico è posta sul fondo del serbatoio dell'aria e permette di eliminare la condensa dopo ogni utilizzo.

INTERRUTTORE DI CIRCUITO TERMICO:

Il motore elettrico dispone di un interruttore di circuito termico di azzeramento manuale. Se per qualunque motivo il motore dovesse surriscaldarsi, l'interruttore arresterebbe il motore. Porre l'interruttore di pressione in posizione "off" e attendere il raffreddamento prima di premere il pulsante di ripristino e riavviare il compressore.

PROTEZIONE DI SOVRACCARICO TERMICO DEL MOTORE:

Se viene superata la potenza nominale prevista del motore, la protezione termica si apre e spegne il motore automaticamente.

Far raffreddare il motore prima di riavviarlo. Il compressore ripartirà automaticamente dopo l'avvio del motore.

INTERRUTTORE ON/AUTO - OFF:

Porre questo interruttore su "on" per fornire alimentazione in modo automatico all'interruttore della pressione e su "off" per eliminare l'alimentazione una volta finito di usare il compressore o quando questo viene lasciato incustodito.

FILTRO DELL'ARIA IN INGRESSO:

il filtro serve a pulire l'aria in ingresso nella pompa del compressore. Il filtro deve essere mantenuto costantemente pulito e privo di ostruzioni. Vedere "Manutenzione".

POMPA:

per comprimere l'aria, il pistone si muove su e giù nel cilindro. Durante la corsa verso il basso, l'aria viene aspirata dalla valvola di ingresso. La valvola di scarico rimane chiusa.

L'aria viene compressa durante la corsa verso l'alto: la valvola di ingresso si chiude e l'aria compressa viene spinta attraverso la valvola di scarico, il condotto di uscita e la valvola di controllo, nel serbatoio. L'aria contenuta nel serbatoio non è utilizzabile fino a che la pressione nel serbatoio non supera quella richiesta alla valvola di uscita.

VALVOLA DI CONTROLLO:

Quando il compressore è in funzione la valvola di controllo è aperta, permettendo all'aria compressa di entrare nel serbatoio. Quando il compressore raggiunge la pressione di stacco, la valvola di controllo si chiude, permettendo all'aria compressa di rimanere nel serbatoio.

VALVOLA DI SCARICO A PRESSIONE:

La valvola di scarico a pressione che si trova sul lato dell'interruttore a pressione è prevista per rilasciare automaticamente l'aria compressa dalla testa del compressore e dal condotto di uscita quando il compressore raggiunge la pressione di stacco.

INTERRUTTORE A PRESSIONE:

L'interruttore a pressione avvia automaticamente il motore quando la pressione nel serbatoio scende al di sotto della pressione di attacco, predisposta in fabbrica. Arresta poi il motore quando la pressione nel serbatoio raggiunge il livello di stacco, predisposto anch'esso in fabbrica.

VALVOLA DI SICUREZZA:

Se l'interruttore a pressione non arresta il compressore al raggiungimento della pressione di stacco, la valvola di sicurezza proteggerà contro l'eccesso di pressione aprendosi una volta raggiunta la pressione predefinita in fabbrica, che è leggermente più alta di quella di stacco.

MANOMETRO DI USCITA:

il manometro di uscita indica la pressione dell'aria disponibile sul lato di uscita del regolatore. Questa pressione è controllata dal regolatore, ed è sempre minore o uguale a quella presente nel serbatoio. Vedere "Procedure d'uso".

MANOMETRO DEL SERBATOIO:

indica la pressione all'interno del serbatoio.

REGOLATORE:

la pressione dell'aria proveniente dal serbatoio è controllata dalla manopola di regolazione. Ruotare la manopola in senso orario per aumentare la pressione, in senso antiorario per diminuirla. Per eliminare la necessità di piccole regolazioni dopo avere modificato il valore della pressione, avvicinarsi al valore di pressione desiderato da valori di pressione minori. Dovendo ridurre la pressione, ridurre fino a un valore inferiore a quello desiderato. A seconda delle necessità di ogni singolo accessorio, potrà essere necessario regolare la pressione in uscita durante l'impiego dell'accessorio.

USCITA ARIA COMPRESSA; simbolo "HP"

Solo per l'utilizzo con attrezzi pneumatici ad alta pressione

Massima pressione in uscita; 2,6 MPa (26 bar)

USCITA ARIA COMPRESSA; simbolo "RP"
Per l'utilizzo con attrezzi pneumatici a pressione ordinaria
Massima pressione in uscita; 0,9 MPa (9 bar)

INSTALLAZIONE E RODAGGIO

POSIZIONAMENTO DEL COMPRESSORE

Collocare il compressore in una zona pulita, asciutta e ben aerata. Il filtro dell'aria deve essere tenuto libero da ostruzioni, che potrebbero ridurre l'apporto d'aria al compressore. Il compressore deve essere collocato ad almeno 0,3 metri dalla parete o da altri ostacoli che potrebbero interferire con il flusso dell'aria. La testa e il pannello del compressore sono predisposti per permettere il raffreddamento necessario. In caso di alti valori di umidità è possibile installare un filtro per l'aria sull'adattatore dell'aria in uscita, in modo da rimuovere l'umidità in eccesso. Per una corretta installazione seguire le istruzioni riportate sulla confezione del filtro dell'aria. Posizionare il compressore su una superficie piana, in modo tale che resti appoggiato saldamente al piedino in gomma.

Vedere la tabella seguente per quanto riguarda i requisiti MINIMI del calibro della prolunga:

Intervallo di corrente (220 - 240 V)	Lunghezza totale del cavo in metri					
	10 m 25 piedi	15 m 50 piedi	20 m 75 piedi	30 m 100 piedi	50 m 150 piedi	60 m 200 piedi
0 - 5 A	1,5 mm ²	1,5 mm ²	1,5 mm ²	2,5 mm ²	4 mm ²	4 mm ²
5,1 - 8 A	1,5 mm ²	1,5 mm ²	2,5 mm ²	4 mm ²	4 mm ²	4 mm ²
8 - 12 A	2,5 mm ²	2,5 mm ²	4 mm ²	Non consigliato		

Tubazioni

Le tubazioni in plastica o in PVC non sono adatte a essere utilizzate con il compressore. Indipendentemente dalla pressione dichiarata, il tubo di plastica può esplodere a causa della pressione dell'aria. Per le linee di distribuzione usare solo tubazioni metalliche. Se è necessaria una tubazione, usare tubi della stessa dimensione del condotto di uscita del serbatoio, o superiore. Una tubazione troppo stretta limiterà il flusso dell'aria. Se la tubazione è più lunga di 30 metri, usare la dimensione superiore. Interrare le linee sotterranee sotto la linea di gelo ed evitare sacche in cui l'umidità potrebbe raccogliersi e congelare. Applicare pressione prima dell'interramento, in modo da verificare che i giunti non abbiano perdite.

Istruzioni per la messa a terra

⚠ AVVERTENZA: rischio di scossa elettrica. In caso di corto circuito, la messa a terra riduce il rischio di scossa, garantendo un cavo di scarico per la corrente elettrica. Il compressore deve essere collegato a terra in modo appropriato.

Il compressore è dotato di un cavo di alimentazione con conduttore di terra, con una spina adeguata. La spina deve essere inserita in una presa installata e collegata a terra secondo tutte le normative locali. La presa deve

LUBRIFICAZIONE

Questo compressore è dotato di una pompa SENZA OLIO, progettata per durare a lungo e non richiedere interventi di manutenzione.

Alimentazione

Usare il compressore alla tensione indicata sulla targhetta. Il livello di tolleranza ammesso è di $\pm 5\%$. Se si utilizza il compressore con una tensione superiore a quella indicata, il motore ruoterà a una velocità più alta del previsto: questo potrebbe danneggiare l'unità e bruciare il motore.

Prolunghe

Per evitare cadute di tensione, perdite di alimentazione e riscaldamento anomalo del motore, prolungare il tubo dell'aria invece del cavo di alimentazione. Una tensione troppo bassa può danneggiare il motore.

Se occorre usare una prolunga:

- usare solo cavi di prolunga a 3 conduttori con spina a tre poli con messa a terra e spina a tre poli, che si adatti alla spina del compressore.
- Verificare che la prolunga sia in buone condizioni.

avere la stessa configurazione della spina. **NON USARE ADATTATORI.**

Verificare lo stato del cavo e della spina prima di ogni utilizzo. Non usare quando siano presenti segni di danneggiamento.

PERICOLO:

una messa a terra non adeguata può essere causa di scosse elettriche. Non modificare la spina in dotazione. Se non è adatta alla presa, fare installare una presa adatta da un elettricista qualificato.

PROCEDURE D'USO

Lista di controllo per l'uso giornaliero

INSTALLAZIONE DEI TUBI

⚠ AVVERTENZA:

rischio di uso non sicuro. Durante l'installazione o lo smontaggio afferrare saldamente i tubi, per evitare che possano scivolare via.

La perdita di controllo dei tubi potrebbe provocare lesioni personali e danni agli oggetti.

1. Prima di collegare un tubo o un accessorio assicurarsi che la leva dell'interruttore a pressione sia in posizione "OFF" e che il regolatore dell'aria o la valvola di arresto siano chiusi.

MANUTENZIONE

2. Collegare i tubi e gli accessori. Una pressione dell'aria troppo elevata può determinare rischi di esplosione. Verificare il livello massimo di pressione indicato dal costruttore degli utensili ad aria e degli accessori. La regolazione della pressione in uscita non deve mai eccedere il valore massimo consentito.
3. Ruotare la leva dell'interruttore a pressione su "ON/AUTO" per permettere la formazione della pressione nel serbatoio. Il motore si arresterà quando la pressione nel serbatoio raggiunge il valore di stacco.
4. Aprire il regolatore ruotandolo in senso orario. Impostare il regolatore sul valore di pressione corretto. Il compressore è pronto per l'uso.
5. Usare sempre il compressore in ambienti ben aerati, privi di vapori di benzina o di altri solventi. Non usare il compressore nelle vicinanze della zona di spruzzo.

Una volta finito:

SCOLLEGARE I TUBI

⚠ AVVERTENZA:
rischio di uso non sicuro. Durante l'installazione o lo smontaggio afferrare saldamente i tubi, per evitare che possano scivolare via.

La perdita di controllo dei tubi potrebbe provocare lesioni personali e danni agli oggetti.

6. Impostare la leva dell'interruttore a pressione su "OFF".
7. Usando l'utensile ad aria o un accessorio, portare a zero la pressione nel serbatoio.
8. Rimuovere l'utensile ad aria o l'accessorio.
9. Eliminare l'acqua contenuta nel serbatoio aprendo il rubinetto di scarico sul fondo. NEL SERBATOIO SI FORMA ACQUA DI CONDENSA. SE NON ELIMINATA, L'ACQUA CORRODE E INDEBOLISCE IL SERBATOIO, DETERMINANDO RISCHI DI ROTTURE.

Nota:

Se la valvola di scarico risultasse otturata, eliminare completamente la pressione dell'aria. In questo modo la valvola può essere rimossa, pulita e rimontata.

10. Chiudere il rubinetto dopo avere eliminato l'acqua. Ora è possibile riporre il compressore.

⚠ AVVERTENZA:
Svuotare correttamente il serbatoio dell'aria. Uno svuotamento non corretto del serbatoio dell'aria potrebbe provocare corrosioni e possibili esplosioni del serbatoio. L'esplosione del serbatoio potrebbe causare lesioni personali e danni agli oggetti. Le istruzioni aggiuntive nelle avvertenze originali ripetono esclusivamente quanto già spiegato al punto 9 di cui sopra. Inoltre non viene indicato che il compressore deve essere spento.

⚠ AVVERTENZA:

Non utilizzare il compressore se funziona in modo anomalo.

Se il compressore sembra funzionare in modo anomalo, produce vibrazioni o rumori strani, smettere immediatamente di usarlo e contattare un centro di assistenza autorizzato Makita per effettuare la riparazione.

⚠ AVVERTENZA:

Usare solo ricambi originali Makita. Parti di ricambio non prodotte da Makita possono annullare la garanzia ed essere causa di malfunzionamenti e conseguenti lesioni personali. I ricambi originali Makita sono disponibili presso un rivenditore autorizzato.

⚠ AVVERTENZA:

L'UNITÀ FUNZIONA AUTOMATICAMENTE IN MODO CICLICO QUANDO È ALIMENTATA. NEL CORSO DELLA MANUTENZIONE È POSSIBILE ESSERE ESPOSTI A TENSIONE ELETTRICA, ARIA COMPRESSA O PARTI IN MOVIMENTO. SUSTISCE IL PERICOLO DI LESIONI PERSONALI. PRIMA DI EFFETTUARE QUALUNQUE INTERVENTO DI MANUTENZIONE O RIPARAZIONE, SCOLLEGARE IL CAVO DI ALIMENTAZIONE ED ELIMINARE COMPLETAMENTE LA PRESSIONE DELL'ARIA.

Per garantire il funzionamento efficiente e la lunga durata del compressore occorre predisporre e seguire un piano di manutenzione programmata. Il seguente programma di manutenzione si riferisce a un apparecchio utilizzato giornalmente in un normale ambiente di lavoro. Se necessario, il programma può essere modificato per adattarlo alle condizioni in cui si utilizza il compressore. Le modifiche dipenderanno dalle ore di funzionamento e dall'ambiente di lavoro. Un compressore usato in un ambiente molto sporco o ostile avrà bisogno di controlli di manutenzione più frequenti.

PROGRAMMA DI MANUTENZIONE NORMALE

1. Eliminare l'acqua dal serbatoio, da qualunque separatore di umidità o trasformatore.
2. Verificare la presenza di rumori o vibrazioni insoliti.
3. Controllare manualmente tutte le valvole di sicurezza, per assicurarsi che funzionino correttamente.

⚠ AVVERTENZA: rischio di esplosione.
Controllare la valvola di sicurezza. Se la valvola di sicurezza non funziona correttamente, l'eccessiva pressurizzazione del serbatoio dell'aria potrebbe causare rotture o esplosioni provocando lesioni personali e danni agli oggetti.

4. Controllare il filtro dell'aria e sostituirlo se necessario.

5. Controllare eventuali perdite nelle tubazioni e negli accessori, eliminandole se necessario.
 Per ogni anno di funzionamento o se si sospetta un problema:
 - Controllare lo stato delle valvole di ingresso e di scarico della pompa.
 - Controllare lo stato della valvola di controllo. Sostituirla se risulta danneggiata o usurata.
6. Verificare la corretta tenuta di viti, bulloni e coperchi. Verificarne periodicamente le condizioni.

⚠ AVVERTENZA:
Assicurarsi che tutte le viti, i bulloni e i coperchi siano serrati correttamente. Se le viti, le piastre o i coperchi si allentano, potrebbero verificarsi danni agli oggetti o lesioni personali.

1) RISOLUZIONE DEI PROBLEMI

PROBLEMA	CAUSA	RIMEDIO
Mancato avvio	Fusibile bruciato o salvavita bloccato; Collegamenti elettrici allentati; Prolunga non conforme; Motore surriscaldato	Controllare la causa e provvedere alla sostituzione o al ripristino; Controllare il cablaggio Max. 15m, min. 14ga; Utilizzare il pulsante di ripristino/attendere il ripristino automatico
Pressione insufficiente	Perdita d'aria nella valvola di sicurezza Filtro dell'aria ridotto Valvola di controllo difettosa	Controllare la valvola manualmente: tirare verso l'alto sugli anelli. Se il problema persiste, sostituire la valvola; Pulire o sostituire il filtro dell'aria; Sostituire la valvola di controllo.
Valvola di sicurezza allentata	Interruttore a pressione difettoso o regolazione errata	Verificare che la regolazione sia stata effettuata correttamente e, se il problema persiste, sostituire l'interruttore a pressione

2) AVVERTENZA

Un trasporto e un sollevamento errati possono provocare danni alla macchina.

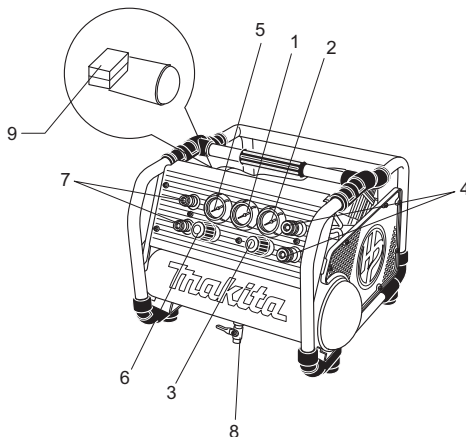
Manutenzione quotidiana

1. Prima di ogni utilizzo:
 - A Accertarsi che tutti i dadi e i bulloni siano serrati correttamente.
 - B Controllare che non vi siano vibrazioni o rumori insoliti.
2. Dopo ogni utilizzo:
 Scaricare tutta l'aria nel relativo serbatoio. Aprire il rubinetto di scarico posto sul lato inferiore del serbatoio per scaricare la condensa dal serbatoio.
3. Manutenzione settimanale:
 - A Controllare le prestazioni della valvola di sicurezza.
 - B Controllare l'interruttore dell'aria: la pressione nominale è di 2,8 Mpa.
 - C Pulire il filtro dell'aria.
4. Manutenzione mensile:
 - A Controllare che non vi siano perdite nel sistema d'aria applicando dell'acqua saponata su tutti i punti di giunzione. Serrare i punti di giunzione in cui viene rilevata una perdita.
 - B Controllare che tutti i dadi e i bulloni siano serrati correttamente.
 - C Sostituire il filtro dell'aria con uno nuovo.
 - D Pulire la superficie del compressore.
5. Manutenzione trimestrale:

- A Controllare lo stato di usura del cilindro e del pistone.

Verklaring van algemene gegevens

1. Drukmeter van lucht tank
2. Regeldrukmeter "HP"
3. Luchtdrukregelaar "HP"
4. Snelkoppelingen "HP" (luchtuitlaat)
5. Regeldrukmeter "RP"
6. Luchtdrukregelaar "RP"
7. Snelkoppeling "RP" (luchtuitlaat)
8. Aftapkraantje
9. Drukschakelaar



TECHNISCHE GEGEVENS

Model	AC310H
Max. ingangsvermogen	1800 W
SCFM @ 40 PSIG (l/min bij 2,8 bar)	3,7 (106 l)
SCFM @ 90 PSIG (l/min bij 6,2 bar)	3,6 (101 l)
SCFM @ 300 PSIG (l/min bij 21 bar)	2,7 (77 l)
Inschakeldruk	2,3 MPa (23 bar)
Uitschakeldruk	2,8 MPa (28 bar)
Boring x slag x aantal	62 mm x 31 mm x 1,45 mm x 10 mm x 1
Spanning - enkelfase	220 - 240 V AC
Frequentie	50 Hz
Motortoerental	1420 min ⁻¹
Smering	Olievrij
Inhoud luchttank	6,2 l
Gewicht	36 kg
Afmetingen (L x H x B)	476 x 375 x 507 mm
Max. uitgangsdruk "HP" (Uitsluitend voor pneumatisch gebruik met hoge druk)	2,6 MPa (26 bar)
Max. uitgangsdruk "RP" (Uitsluitend voor pneumatisch gebruik met normale druk)	0,9 MPa (9 bar)
Geluidsproductie	LWA 90 dB

- Als gevolg van ons doorlopende onderzoeks- en ontwikkelingsprogramma, zijn de technische gegevens van dit gereedschap onderhevig aan veranderingen zonder voorafgaande kennisgeving.
- Opmerking: De technische gegevens kunnen van land tot land verschillen.

Minimumvereisten voor stroomcircuit: 7 A

* Gebruik van een stroomonderbreker verdient de voorkeur. Gebruik alleen een zekering of stroomonderbreker van dezelfde sterkte als de stopgroep waarop de luchtcompressor is aangesloten. Als de luchtcompressor is aangesloten op een gezekerde schakeling, gebruikt u vertraagde zekeringen.

BELANGRIJK

Lees de veiligheidsrichtlijnen en ALLE instructies zorgvuldig door alvorens dit gereedschap te gebruiken.

Symbolen

Hieronder staan de symbolen die voor dit gereedschap worden gebruikt. Zorg ervoor dat u weet wat ze betekenen alvorens het gereedschap te gebruiken.



..... Lees de gebruiksaanwijzing.



..... Gevaar voor elektrische schokken. Let op: alvorens aan de luchtcompressor te werken, moet deze worden losgekoppeld van de voeding.



..... Gevaar voor hoge temperaturen. Let op: de luchtcompressor bevat onderdelen die zeer heet kunnen worden.



..... Gevaar voor per ongeluk starten. Let op: de luchtcompressor kan uit zichzelf starten in het geval na een stroomstoring de elektriciteitsvoorziening wordt hersteld.



..... Draag een veiligheidsbril.



..... Alleen voor EU-landen
Geef elektrisch gereedschap niet met het huisvuil mee!
Volgens de Europese richtlijn 2002/96/EG inzake oude elektrische en elektronische apparaten en de toepassing daarvan binnen de nationale wetgeving, dient gebruikt elektrisch gereedschap gescheiden te worden ingezameld en te worden afgevoerd naar een recycle bedrijf dat voldoet aan de geldende milieu-eisen.

BELANGRIJKE VEILIGHEIDSINSTRUCTIES

⚠ WAARSCHUWING

LEES EN BEGRIJP ALLE INSTRUCTIES

Als u nalaat alle onderstaande instructies te volgen, kan dit leiden tot een elektrische schok, brand en/of ernstig letsel.



BEWAAR DEZE VOORSCHRIFTEN.

WERKPLEK

1. **Houd uw werkplek schoon en zorg voor goede verlichting.** Op rommelige en donkere plaatsen gebeuren vaker ongelukken.
2. **Werk niet met elektrische gereedschappen in een omgeving met ontploffingsgevaar, zoals een omgeving met brandbare vloeistoffen, gassen of stof.** Elektrische gereedschap produceert vonken die de dampen of het stof kunnen ontsteken.
3. **Houd omstanders, kinderen en bezoekers uit de buurt tijdens het gebruik van elektrisch gereedschap.** Door afleiding kunt u de controle over het gereedschap verliezen. Bescherm anderen op de werkplek tegen afval, zoals materiaalstukjes en vonken. Plaats afscheidingen of gebruik beschermkappen, indien nodig. Kinderen mogen nooit op de werkplek komen.
4. **De geschikte kamertemperatuur is +5°C t/m +30°C (maximaal 0°C t/m +40°C).**

⚠ WAARSCHUWING
VERKEERD GEBRUIK OF ONDERHOUD VAN DIT GEREEDSCHAP KAN LEIDEN TOT ERNSTIG LETSEL EN MATERIELE SCHADE.
LEES EN BEGRIJP ALLE WAARSCHUWINGEN EN BEDIENINGSINSTRUCTIES ALVORENS DIT GEREEDSCHAP TE GEBRUIKEN.

⚠ WAARSCHUWING

Gevaar voor onveilig gebruik

WAT KAN ER GEBEUREN

Onveilig gebruik van de luchtcompressor kan leiden tot ernstig letsel van u en anderen.

HOE KUNT U DIT VOORKOMEN

- Lees en begrijp alle instructies en waarschuwingen in deze handleiding.
- Maak uzelf bekend met het gebruik en de bedieningsorganen van de luchtcompressor.
- Houd het werkgebied vrij van alle mensen, dieren en obstakels.
- Houd kinderen altijd uit de buurt van de luchtcompressor.
- Gebruik het gereedschap niet wanneer u vermoeid bent of onder invloed bent van alcohol of drugs. Let altijd goed op.
- Omzeil nooit de veiligheidsvoorzieningen van dit gereedschap.
- Zorg ervoor dat in het werkgebied een brandblusser aanwezig is.
- Gebruik het gereedschap niet wanneer onderdelen ontbreken, defect zijn of niet goedgekeurd zijn.

⚠ WAARSCHUWING

Gevaar voor gebarsten lucht tank

WAT KAN ER GEBEUREN

De volgende omstandigheden kunnen de lucht tank verzwakken MET ALS GEVOLG EEN KRACHTIGE



EXPLOSIIE VAN DE LUCHTTANK, WAT KAN LEIDEN TOT ERNSTIG LETSEL AAN U EN ANDEREN.

- Nalaten het condenswater in de luchttank af te tappen, waardoor roest ontstaat en de wanddikte van de luchttank afneemt.
- Wijzigingen aan of pogingen tot reparatie van de luchttank.
- Niet-goedgekeurde wijzigingen aan de drukschakelaar, het veiligheidsventiel of enig ander onderdeel dat de tankdruk regelt.

HOE KUNT U DIT VOORKOMEN

- Tap het condenswater in de luchttank dagelijks of na ieder gebruik af. Als de luchttank lek raakt, vervangt u deze door een nieuwe of vervangt u de hele luchtcompressor.
- U mag niet in de luchttank boren, deze lassen of anderszins wijzigen omdat de luchttank hierdoor wordt verzwakt. De luchttank kan dan barsten of exploderen. Vervang door een nieuwe luchttank.
- Houdt u aan de adviezen van de fabrikant van de hulpstukken en overschrijdt nooit de maximaal toegestane druk. Gebruik de compressor nooit voor het opblazen van kleine lagedrukvoorwerpen, zoals kinderspeelgoed, voetballen, basketballen, enz.

WAARSCHUWING



Gevaar voor barsten van hulpstukken en accessoires

WAT KAN ER GEBEUREN

Als de maximale druk van persluchthulpstukken, spuitpistolen, op perslucht werkende accessoires, banden EN andere opblaasbare voorwerpen overschrijdt, kunnen deze exploderen of uit elkaar spatten, wat kan leiden tot ernstig letsel voor u en anderen.

WAARSCHUWING



Gevaar voor elektrische schokken.

WAT KAN ER GEBEUREN

- Uw luchtcompressor werkt op elektriciteit. Net als ieder ander elektrisch gevoed apparaat, kan het bij verkeerd gebruik gevaar voor een elektrische schok opleveren.
- Aarden: bij onvoldoende aarding van dit gereedschap, neemt het gevaar voor elektrische schokken toe.

HOE KUNT U DIT VOORKOMEN

- Eventueel aanleggen of repareren van de bedrading van dit gereedschap moet worden uitgevoerd door vakbekwaam onderhoudspersoneel of een gediplomeerde installateur in overeenstemming met de nationale en plaatselijke installatievoorschriften.
- Zorg ervoor dat de elektrische stroomkring waarop de luchtcompressor is aangesloten goed geaard is, de juiste spanning heeft en deugdelijk gezekeerd is.
- Gebruik de luchtcompressor nooit buitenshuis wanneer het regent of in een natte omgeving.
- Gebruik de luchtcompressor nooit wanneer de beschermkappen of afdekplaten beschadigd of verwijderd zijn.

WAARSCHUWING



Gevaar voor explosie of brand

WAT KAN ER GEBEUREN

Het is normaal dat de elektrische contacten binnenin de motor en drukschakelaar vonken produceren bij het in- en uitschakelen van de compressor. Gebruik de compressor nooit in een atmosfeer met ontvlambare dampen. Als u dit doet kan dit leiden tot ernstig letsel voor u en anderen.

HOE KUNT U DIT VOORKOMEN

- Gebruik de luchtcompressor altijd in een goed geventileerde omgeving waarin geen benzinedamp of oplosmiddeldampen aanwezig zijn.
- Als u ontvlambare materialen spuit, plaatst u de luchtcompressor op een afstand van minstens 6 meter van het spuitgebied.
- Sla ontvlambare materialen op een veilige plaats op, uit de buurt van de luchtcompressor.

WAARSCHUWING



Gevaar voor de ademhaling

WAT KAN ER GEBEUREN

- De perslucht vanuit de luchtcompressor is niet geschikt voor inademing. De luchtstroom kan koolmonoxide of andere dampen bevatten, of deeltjes van de luchttank of andere onderdelen.
- Gespoten materialen, zoals verf, verplossmiddelen, terpentijn, insecticiden, onkruidverdelgers, enz., bevatten schadelijke dampen en giften.
- Het inademen van dampen vanuit de luchtcompressor of van gespoten materialen kan leiden tot ernstig letsel.

HOE KUNT U DIT VOORKOMEN

- Adem nooit lucht vanuit de luchtcompressor in, hetzij rechtstreeks, hetzij via een beademingsapparaat aangesloten op de luchtcompressor. Werk in een gebied waarin een goede kruisventilatie heerst.
- Lees de veiligheidsinstructies vermeld op het etiket of veiligheidsinformatieblad van het materiaal dat u spuit. Gebruik een ademhalingsapparaat dat is goedgekeurd voor gebruik in uw specifieke toepassing.

WAARSCHUWING

Gevaar wegens geluid



WAARSCHUWING



Gevaar wegens perslucht

WAT KAN ER GEBEUREN

De persluchtstroom kan zacht weefsel beschadigen en kan vuil, spaanders, losse deeltjes en kleine voorwerpen met hoge snelheid wegslingeren, wat kan leiden tot materiële schade of persoonlijk letsel.

HOE KUNT U DIT VOORKOMEN

- Draag altijd een goedgekeurde veiligheidsbril met zijstukken tijdens het gebruik of onderhoud van de luchtcompressor.
- Richt nooit een spuitmond of spuitlans op enig deel van uw lichaam of op andere mensen of dieren.
- Schakel de luchtcompressor altijd uit en laat de druk in de luchtslang afvloeien alvorens onderhoud uit te voeren of hulpstukken of accessoires aan te sluiten.

WAARSCHUWING

Gevaar wegens bewegende delen



WAT KAN ER GEBEUREN

De luchtcompressor schakelt automatisch in en uit wanneer de drukschakelaar in de aan/automatisch-stand staat. Als u onderhouds- of reparatiewerkzaamheden aan de luchtcompressor wilt uitvoeren terwijl deze is ingeschakeld of aangesloten, kunt u zich blootstellen aan bewegende delen. Aanraking van bewegende delen kan leiden tot ernstig letsel.

HOE KUNT U DIT VOORKOMEN

- Trek altijd de stekker van het netsnoer van de luchtcompressor uit het stopcontact en laat de druk in de luchttank en hulpstukken afvloeien alvorens onderhouds- of reparatiewerkzaamheden uit te voeren.
- Gebruik de luchtcompressor nooit wanneer de beschermkappen of afdekplaten beschadigd of verwijderd zijn.
- Houd uw haar, kleding en handschoenen uit de buurt van bewegende delen. Loshangende kleding, sieraden en lang haar kunnen verstrikt raken in bewegende delen.
- Ventilatieopeningen kunnen voor bewegende delen zitten en moeten worden vermeden.

WAARSCHUWING

Gevaar voor verbranding



WAARSCHUWING

Gebruik de draagbare luchtcompressor niet met geopende afdekplaten of kappen!



WAARSCHUWING

Open het kraantje niet voordat de persluchtslang is aangesloten!



WAT KAN ER GEBEUREN

Aanraking van hete onderdelen, zoals de compressorkop en uitlaatbuizen, kan leiden tot ernstige huidverbranding.

HOE KUNT U DIT VOORKOMEN

- Raak nooit hete onderdelen aan tijdens of onmiddellijk na gebruik van de luchtcompressor. Raak niets achter de beschermkappen aan en begin pas met de onderhoudswerkzaamheden nadat de luchtcompressor is afgekoeld.

- Hanteren en optillen: houd de handgrepen alleen vast tijdens het verplaatsen of transporteren van de luchtcompressor.
- Om verwonding te voorkomen mag u de cilinder, cilinderkop, uitlaat en andere hete onderdelen niet aanraken terwijl de luchtcompressor in gebruik is of binnen een uur nadat deze uitgeschakeld is.

WAARSCHUWING

Transporteren

- a De maximale helling tijdens transport is 30°.
- b Gebruik geen voertuigen voor het transport.
- c Gebruik de luchtcompressor niet in een ontvlambare, explosieve of corrosieve omgeving.

VERKLARENDE WOORDENLIJST

CFM: Kubieke voet per minuut.

SCFM: Standaard kubieke voet per minuut; een meeteenheid voor luchttopbrengst.

PSIG: Pond per vierkant inch; een meeteenheid voor druk.

INSCHAKELDRUK: Wanneer de motor uit staat, daalt de tankdruk naarmate u langer het hulpstuk of accessoire op perslucht gebruikt. Wanneer de tankdruk tot een bepaald niveau is gedaald, zal de motor automatisch opnieuw starten. Deze druk heet de "inschakeldruk".

UITSCHAKELDRUK: Wanneer u de luchtcompressor inschakelt, begint de motor te draaien en loopt de tankdruk op. De druk loopt op tot een bepaald niveau, waarna de motor automatisch wordt uitgeschakeld om de luchttank te beveiligen tegen drukniveaus waarvoor deze niet is ontworpen. De druk waarop de motor wordt uitgeschakeld heet de "uitschakeldruk".

WERKCYCLUS

Wij adviseren u alle door Makita gemaakte luchtcompressoren te gebruiken op niet meer dan 50% werkcyclus. Dit betekent dat een luchtcompressor die gedurende meer dan 50% van een uur lucht pompt, geacht wordt overbelast te zijn omdat de luchtcompressor te licht is voor de gevraagde hoeveelheid perslucht.

ALGEMENE INFORMATIE

Deze luchtcompressor is uitgerust met een olievrije pomp die is ontworpen met het oog op een lange levensduur, zonder onderhoud.

De compressor kan worden gebruikt voor nominale pneumatische nagelpistolen en nietpistolen. Voor deze toepassingen is de luchtcompressor uitgerust met een luchtdrukregelaar.

WAARSCHUWING:

Gebruik de luchtcompressor nooit voor andere toepassingen dan het bedienen van een nominaal nagelpistool of nietpistool. Als de luchtcompressor voor een andere toepassing wordt gebruikt, kan dat leiden tot persoonlijk letsel en materiële schade.

Afzonderlijke luchttransformatoren, die de functies van luchtregeling en/of vocht- en vuilafvoer combineren, dienen daar waar van toepassing te worden gebruikt.

AFLIVERINGSINSPECTIE

BESCHADIGING: Iedere luchtcompressor is vóór aflevering grondig getest en gecontroleerd. Door verkeerd hanteren tijdens het transport kunnen beschadigingen ontstaan, waardoor storingen tijdens het gebruik van de luchtcompressor kunnen optreden.

Controleer onmiddellijk na aflevering op zowel verborgen als zichtbare beschadigingen om te voorkomen dat de kosten van de reparatie van dergelijke beschadigingen op u worden verhaald. Dit dient te geschieden ongeacht of beschadigingen van de verpakking zichtbaar zijn of niet. In het geval dit product rechtstreeks naar u werd verzonden, meldt u de beschadigingen bij de vervoerder en maakt u onmiddellijk een afspraak voor een inspectie van de afgeleverde goederen.

OPSLAG

Alvorens u de luchtcompressor opslaat, moet u het volgende doen:

1. Lees de hoofdstukken "Onderhoud" en "Bedieningsprocedures" en voer zo nodig onderhoud uit. Vergeet niet het condenswater in de lucht tank af te tappen.
2. Bescherm het netsnoer en de luchtslang tegen beschadigingen (veroorzaakt door bijvoorbeeld erop te staan of over te rijden).

Sla de luchtcompressor op een schone en droge plaats op.

BESCHRIJVING VAN DE WERKING

AFTAPKRAANTJE: Het aftapkraantje bevindt zich op de onderkant van de lucht tank en wordt gebruikt om het condenswater af te tappen na ieder gebruik.

THERMISCHE STROOMONDERBREKER:

De elektromotor is uitgerust met een handmatig terugstelbare thermische stroomonderbreker. Als de motor om de een of andere reden oververhit raakt, zal de stroomonderbreker de motor uitschakelen. Zet de drukschakelaar in de "uit"-stand en laat de luchtcompressor afkoelen voordat u op de reset-knop drukt om de luchtcompressor opnieuw te starten.

THERMISCHE OVERBELASTINGSBEVEILIGING VAN DE MOTOR:

Als de nominale stroomsterkte van de motor wordt overschreden, zal de thermische beveiliging automatisch open gaan en de motor uitschakelen.

De motor moet eerst afkoelen voordat deze mag worden herstart. De luchtcompressor zal automatisch starten nadat de motor weer is gestart.

AAN/AUTOMATISCH-UITSCHAKELAAR:

Draai deze schakelaar naar de "aan"-stand om de drukschakelaar automatisch van stroom te voorzien, en naar de "off"-stand om de stroom naar de drukschakelaar

te onderbreken wanneer u klaar bent met het gebruiken van de luchtcompressor of deze onbeheerd laat.

LUCHTINLAATFILTER:

Dit filter is bedoeld om de lucht te reinigen die door de luchtcompressor wordt aangezogen. Dit filter moet altijd schoon en vrij van verstoppingen zijn. Zie het hoofdstuk "Onderhoud".

LUCHTCOMPRESSORPOMP:

Om de lucht samen te persen, beweegt de zuiger op en neer in de cilinder. Tijdens de neerwaartse slag van de zuiger wordt lucht in de cilinder gezogen via de luchtinlaatklep. De uitlaatklep blijft dan gesloten. Tijdens de opwaartse slag van de zuiger wordt de lucht samengeperst. De inlaatklep gaat dicht en de samengeperste lucht wordt via de uitlaatklep uit de cilinder geduwd, en stroomt door de uitlaatslang en een terugslagklep naar de lucht tank. Er is pas perslucht beschikbaar nadat de luchtcompressor de luchtdruk heeft opgevoerd tot boven de vereiste druk aan de luchtuitlaat.

TERUGSLAGKLEP:

Wanneer de luchtcompressor in werking is, staat de terugslagklep "open", waardoor samengeperste lucht in de lucht tank kan stromen. Wanneer de luchtcompressor de "uitschakeldruk" nadert, gaat de terugslagklep "dicht", waardoor de opgebouwde tankdruk behouden blijft.

DRUKSCHAKELAAR-ONTLASTKLEP:

De drukschakelaar-ontlastklep op de zijkant van de drukschakelaar is bedoeld om automatisch de samengeperste lucht uit de compressor en de uitlaatslang te laten ontsnappen nadat de luchtcompressor de "uitschakeldruk" heeft bereikt.

DRUKSCHAKELAAR:

De drukschakelaar start automatisch de motor wanneer de tankdruk daalt tot de "inschakeldruk" die in de fabriek is ingesteld. De drukschakelaar stopt automatisch de motor wanneer de tankdruk de "uitschakeldruk" heeft bereikt die in de fabriek is ingesteld.

VEILIGHEIDSVENTIEL:

Als de drukschakelaar de luchtcompressor niet uitschakelt op de ingestelde "uitschakeldruk", biedt het veiligheidsventiel bescherming tegen hoge druk door "omhoog te springen" op de in de fabriek ingestelde druk, die iets hoger is dan de ingestelde "uitschakeldruk".

UITLAATDRUKMETER:

De uitlaatdrukmeter geeft de luchtdruk aan die beschikbaar is aan de uitlaatslang van de luchtdrukregelaar. Deze druk wordt geregeld door de luchtdrukregelaar en is altijd lager dan of gelijk aan de tankdruk. Zie het hoofdstuk "Bedieningsprocedures".

TANKDRUKMETER:

De tankdrukmeter geeft de luchtdruk in de lucht tank aan.

LUCHTDrukREGELAAR:

De luchtdruk uit de lucht tank wordt geregeld met de knop van de luchtdrukregelaar. Draai de knop van de luchtdrukregelaar rechtsom om de luchtdruk te verhogen

en linksom om de luchtdruk te verlagen. Om te voorkomen dat kleine afstellingen noodzakelijk zijn na het veranderen van de ingestelde luchtdruk, benadert u de gewenste luchtdruk altijd vanaf een lagere luchtdruk. Wanneer u de luchtdruk verlaagt van een hogere naar een lagere instelling, verlaagt u eerst naar een nog lagere instelling dan de gewenste luchtdruk. Afhankelijk van de luchtbehoeften van een bepaalde accessoire, kan het noodzakelijk zijn de geregelde uitlaatluchtdruk af te stellen tijdens het gebruik van het accessoire.

PERSLUCHTUITLAAT, gemarkeerd "HP"

Uitsluitend voor gebruik met een op hoge druk werkend pneumatisch gereedschap.

Max. uitlaatluchtdruk: 2,6 MPa (26 bar)

PERSLUCHTUITLAAT, gemarkeerd "RP"

Voor gebruik met een op normale druk werkend pneumatisch gereedschap.

Max. uitlaatluchtdruk: 0,9 MPa (9 bar)

INSTALLATIE- EN INLOOPPROCEDURES

PLAATS VAN DE LUCHTCOMPRESSOR

Plaats de luchtcompressor in een schoon, droog en goed geventileerd gebied. Het luchtfilter mag niet geblokkeerd worden om de luchttoevoer van de luchtcompressor niet te verlagen. De luchtcompressor moet op een afstand staan van minstens 0,3 meter vanaf een muur of een andere obstakel dat de luchtstroom hindert. De luchtcompressorkop en -kap zijn zodanig ontworpen dat een goede koeling is gegarandeerd. Als de luchtvochtigheid zeer hoog is, kan een luchtfilter worden aangebracht op de luchtuitlaatadapter om overtollig vocht

te verwijderen. Volg de gebruiksaanwijzing die bij het luchtfilter werden geleverd om het luchtfilter goed aan te brengen.

Plaats de luchtcompressor op een vlakke ondergrond zodat deze stevig op zijn rubberen pootjes staat.

SMERING

Deze luchtcompressor is uitgerust met een olievrije pomp die is ontworpen met het oog op een lange levensduur, zonder onderhoud.

Voeding

Sluit de luchtcompressor aan op de spanning vermeld op het typeplaatje. De spanningstolerantie is $\pm 5\%$. Wanneer de luchtcompressor wordt gebruikt op een hogere spanning dan de nominale spanning, zal de motor abnormaal snel ronddraaien, waardoor deze kan doorbranden en de luchtcompressor kan worden beschadigd.

Verlengsnoeren

Om een spanningsval, voedingsonderbreking en oververhitting van de motor te voorkomen, gebruikt u geen verlengsnoer maar een extra lange luchtslang. Door een lage spanning kan de motor worden beschadigd.

Als het noodzakelijk is een verlengsnoer te gebruiken:

- Gebruik uitsluitend een goedgekeurd 3-draads verlengsnoer met een geaarde 3-poot stekker en een 3-gats contrastekker waarin de stekker van het netsnoer van de luchtcompressor past.
- Zorg ervoor dat het verlengsnoer in goede toestand verkeert.

Raadpleeg de onderstaande tabel voor de MINIMUM vereisten voor de dikte van het verlengsnoer:

Stroomsterktebereik (220 - 240 V)	Totale lengte van het netsnoer in meters					
	10 m 25 ft	15 m 50 ft	20 m 75 ft	30 m 100 ft	50 m 150 ft	60 m 200 ft
0 - 5 A	1,5 mm ²	1,5 mm ²	1,5 mm ²	2,5 mm ²	4 mm ²	4 mm ²
5,1 - 8 A	1,5 mm ²	1,5 mm ²	2,5 mm ²	4 mm ²	4 mm ²	4 mm ²
8 - 12 A	2,5 mm ²	2,5 mm ²	4 mm ²	Niet aanbevolen		

Leidingen

Kunststof- of pvc-leidingen zijn niet geschikt voor gebruik met perslucht. Ongeacht de aangegeven toegestane druk, kunnen kunststofleidingen barsten door de luchtdruk. Gebruik uitsluitend metalen leidingen als luchtverdeelleiding. Als een luchtleiding noodzakelijk is, gebruikt u een leiding met dezelfde of een grotere doorsnede dan de luchtuitlaat van de lucht tank. Leidingen die te dun zijn zullen de luchtstroom beperken. Als de leidingen meer dan 30 meter lang zijn, gebruikt u de eerstvolgende grotere maat. Leg ondergrondse leidingen onder de vorstgrens en voorkom dat zich ruimtes vormen waarin condenswater zich kan verzamelen en bevriezen. Breng de in de grond gelegde leidingen eerst op druk om te controleren of alle koppelingen lek vrij zijn voordat u ze toedekt.

Aarden

⚠ WAARSCHUWING: Gevaar voor elektrische schokken! Aarden verkleint de kans op elektrische schokken in geval van kortsluiting door de beschikbaarheid van een ontsnappingsroute (de aarddraad) voor de stroom. Deze luchtcompressor moet goed geaard worden.

De luchtcompressor is voorzien van een netsnoer met een aarddraad en een geaarde stekker. De stekker moet in een stopcontact worden gestoken dat is geïnstalleerd en geaard in overeenstemming met de plaatselijke installatievoorschriften en regelgeving. Het stopcontact moet dezelfde vorm hebben als de stekker. **GEBRUIK NOOIT EEN ADAPTER.**

Inspecteer de stekker en het netsnoer vóór ieder gebruik. Gebruik deze niet als er tekenen van beschadiging zijn.

GEVAAR:

Verkeerd aarden kan leiden tot elektrische schokken. Wijzig de bijgeleverde stekker niet. Als deze niet past in de aanwezige stopcontacten, moet een passend stopcontact worden geïnstalleerd door een vakbekwame installateur.

BEDIENINGSPROCEDURES

Lijst met dagelijkse opstartcontroles

SLANGEN AANSLUITEN

⚠ WAARSCHUWING:

Gevaar voor onveilig gebruik. Pak de slang bij het aansluiten of loskoppelen stevig in uw hand vast om een zweepslag van de slang te voorkomen.

Als u de controle over de slang verliest, kan dat leiden tot persoonlijk letsel en materiële schade.

- Voordat u de luchtslang of een accessoire aansluit, controleert u of de drukschakelaar in de "uit"-stand staat en de luchtdrukregelaar of afsluitklep dicht is.
- Sluit de luchtslang en een accessoire aan. Een te hoge luchtdruk betekent gevaar voor barsten. Controleer de maximumdruk zoals opgegeven door de fabrikant van het persluchtgereedschap of de accessoire. De uitlaatdruk van de luchtdrukregelaar mag nooit deze maximumdruk overschrijden.
- Draai de drukschakelaar naar de "aan/automatisch"-stand en wacht tot de tankdruk oploopt. De motor stopt wanneer de tankdruk gelijk wordt aan de "uitschakeldruk".
- Open de luchtdrukregelaar door deze rechtsom te draaien. Stel de luchtdrukregelaar in op de juiste luchtdruk. De luchtcompressor is nu klaar voor gebruik.
- Gebruik de luchtcompressor altijd in een goed geventileerde omgeving waarin geen benzinedamp of andere oplosmiddeldampen aanwezig zijn. Gebruik de luchtcompressor niet in de buurt van het spuitgebied.

Nadat u klaar bent:

SLANGEN LOSKOPPELEN

⚠ WAARSCHUWING:

Gevaar voor onveilig gebruik. Pak de slang bij het aansluiten of loskoppelen stevig in uw hand vast om een zweepslag van de slang te voorkomen.

Als u de controle over de slang verliest, kan dat leiden tot persoonlijk letsel en materiële schade.

- Zet de drukschakelaar in de de "uit"-stand.
- Gebruik het persluchtgereedschap of de accessoire en laat de tankdruk afvloeien.
- Haal het persluchtgereedschap of de accessoire van de luchtslang afvloeien.
- Tap het condenswater in de lucht tank af door het aftapkraantje aan de onderkant van de lucht tank te openen. IN DE LUCHTTANK CONDENSEERT WATER. ALS HET WATER NIET WORDT AFGETAPT, ZAL DE LUCHTTANK GAAN ROESTEN EN ZWAKKER WORDEN WAARDOOR GEVAAR VOOR BARSTEN ONTSTAAT.

⚠ WAARSCHUWING:

Tap het condenswater in de lucht tank goed af. Onvoldoende aftappen van het condenswater in de lucht tank kan leiden tot corrosie en mogelijk openbarsten van de lucht tank. Het openbarsten van de lucht tank kan leiden tot persoonlijk letsel en materiële schade. De aanvullende instructie in de oorspronkelijke waarschuwing herhaalt slechts wat is vermeld bij item 9 hierboven. Bovendien vermeldt dit niet dat de lucht compressor moet worden uitgeschakeld.

Opmerking:

Als het aftapkraantje verstopt is, laat u eerst de luchtdruk volledig af. Daarna kunt u het aftapkraantje demonteren, schoonmaken en opnieuw monteren.

- Nadat het condenswater is afgetapt, sluit u het aftapkraantje. De lucht compressor kan nu worden opgeslagen.

ONDERHOUD

⚠ WAARSCHUWING:

Gebruik de lucht compressor nooit wanneer deze niet normaal werkt.

Als de lucht compressor ongebruikelijk lijkt te werken, een vreemd geluid maakt of trilt, stopt u onmiddellijk met het gebruik ervan en maakt u een afspraak voor reparatie door een erkend Makita-servicecentrum.

⚠ WAARSCHUWING:

Gebruik uitsluitend originele Makita-ervangingsonderdelen. Vervangingsonderdelen die niet door Makita zijn geproduceerd, kunnen de garantie doen vervallen en leiden tot storingen en persoonlijk letsel. Originele Makita-onderdelen zijn verkrijgbaar bij een erkende dealer.

⚠ WAARSCHUWING:

HET APPARAAT SCHAKELT AUTOMATISCH IN EN UIT WANNEER DE VOEDING IS AANGESLOTEN. TIJDENS HET UITVOEREN VAN ONDERHOUDSWERKZAAMHEDEN KUNT U BLOOTGESTELD WORDEN AAN SPANNINGSBRONNEN, PERSLUCHT OF BEWEGENDE ONDERDELEN. PERSOONLIJK LETSEL KAN OPTREDEN. ALVORENS ENIGE ONDERHOUDS- OF REPARATIEWERKZAAMHEDEN UIT TE VOEREN, TREK DE STEKKER UIT HET STOPCONTACT EN LAAT DE LUCHTDruk VOLLEDIG AFVLOEIEN.

Om verzekerd te zijn van een efficiënte werking en lange levensduur van de lucht compressor, dient een routineonderhoudsschema te worden opgesteld en uitgevoerd. Het volgende routineonderhoudsschema is afgestemd op een apparaat in een normale gebruiksomgeving dat dagelijks wordt gebruikt. Zo nodig kan het schema worden aangepast aan de

omstandigheden waaronder uw luchtcompressor wordt gebruikt. Deze aanpassing zal afhankelijk zijn van het aantal gebruiksuren en de gebruiksomgeving. Op een luchtcompressor die in een extreem vuile en/of agressieve omgeving wordt gebruikt, moeten alle onderhoudscontroles vaker worden uitgevoerd.

ROUTINEONDERHOUDSCHEMA

1. Tap condenswater in de luchttank, eventuele vochtafscheiders en transformatoren af.
2. Controleer op ongebruikelijke geluiden en/of trillingen.
3. Controleer handmatig de veiligheidsventielen om er zeker van te zijn dat deze goed werken.

⚠ WAARSCHUWING: Gevaar voor barsten.
Controleer het veiligheidsventiel. Als het veiligheidsventiel niet goed werkt, kan de druk in de luchttank te hoog oplopen waardoor de luchttank kan

barsten of exploderen, wat kan leiden tot persoonlijk letsel en materiële schade.

4. Inspecteer het luchtfilter en vervang zo nodig.
5. Inspecteer de luchtleidingen en koppelingen op lekkage en repareer zo nodig.
 Na ieder jaar van gebruik of wanneer een u een probleem vermoedt:
 - Controleer de toestand van de inlaat- en uitlaatkleppen van de luchtcompressorpompe.
 - Controleer de toestand van de terugslagklep. Vervang indien beschadigd of versleten.
6. Alle schroeven, bouten en afdeklaten moeten stevig vastzitten. Controleer hun toestand regelmatig.

⚠ WAARSCHUWING:
Zorg ervoor dat alle schroeven, bouten en afdeklaten goed vast zitten. Als schroeven, bouten of afdeklaten los gaan zitten, kan dat leiden tot persoonlijk letsel en materiële schade.

1) PROBLEMEN OPLOSSEN

PROBLEEM	OORZAAK	CORRECTIE
Start niet	Doorgebrande zekering of stroomonderbreker uitgeschakeld; Losse elektrische verbinding; Verkeerd verlengsnoer; Oververhitte motor	Controleer de oorzaak en vervang of schakel weer in; Controleer de draadverbindingen (max. 15 m lang, min. 14 gauge dik); Druk op terugstelknop of wacht op automatisch terugstellen.
Lage druk	Luchttek in veiligheidsventiel Verstopt luchtfilter Kapotte terugslagklep	Controleer de werking van de klep handmatig: trek de ringen omhoog. Als het probleem aanhoudt, vervangt u de klep; Reinig of vervang het luchtfilter; Vervang de terugslagklep.
Lucht ontsnapt via veiligheidsventiel	Kapotte drukschakelaar of verkeerde afstelling	Controleer op juiste afstelling en als het probleem aanhoudt vervangt u de drukschakelaar.

2) WAARSCHUWING

Een verkeerde manier van transporteren en optillen zal ertoe leiden dat het gereedschap wordt beschadigd.

Dagelijks onderhoud

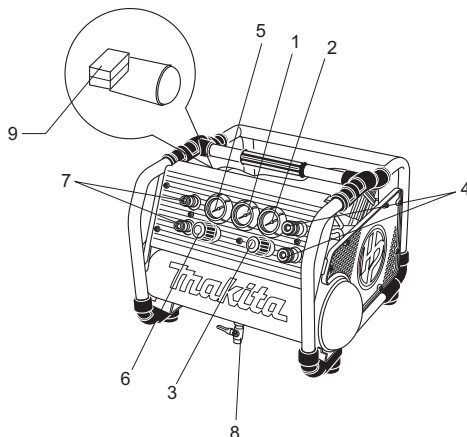
1. Vóór ieder gebruik:
 - A Controleer dat alle moeren en bouten strak aangedraaid zijn.
 - B Controleer op ongebruikelijke geluiden of trillingen.
2. Na ieder gebruik:

Laat alle perslucht uit de luchttank. Open het aftapkraantje op de onderkant van de luchttank om het condenswater af te tappen.
3. Wekelijks onderhoud:
 - A Controleer de werking van het veiligheidsventiel.
 - B Controleer de drukschakelaar (de beoogde nominale druk is 2,8 MPa).
 - C Reinig het luchtfilter.
4. Maandelijks onderhoud:
 - A Inspecteer het persluchtsysteem op lekken door alle verbindingen te controleren met zeepwater. Als een lek wordt gevonden, draait u die verbinding vast.
 - B Controleer of alle moeren en bouten nog vast zitten.
 - C Vervang het luchtfilter door een nieuwe.
 - D Reinig de buitenkant van de luchtcompressor.

5. 3-maandelijks onderhoud:
 - A Controleer de cilinder en zuiger op slijtage.

Descripción y visión general

1. Indicador de presión del depósito de aire
2. Indicador de presión regulada "HP"
3. Regulador de aire "HP"
4. Conectores rápidos "HP" (salida de aire)
5. Indicador de presión regulada "RP"
6. Regulador de aire "RP"
7. Conectores rápido "RP" (salida de aire)
8. Válvula de drenaje
9. Interruptor de presión



ESPECIFICACIONES

Modelo	AC310H
Potencia máxima de entrada	1800 W
SCFM @ 40 PSIG (L/min @ 2,8 bar)	3,7 (106 L)
SCFM @ 90 PSIG (L/min @ 6,2 bar)	3,6 (101 L)
SCFM @ 300 PSIG (L/min @ 21 bar)	2,7 (77 L)
Presión de arranque	2,3 MPa (23 bar)
Presión de apagado	2,8 MPa (28 bar)
Diámetro x Recorrido x Cantidad	62 mm x 31 mm x 1,45 mm x 10 mm x 1
Tensión - Monofásico	220 - 240 V CA
Hz	50 Hz
RPM del motor	1420 min ⁻¹
Lubricación	Sin aceite
Tamaño del depósito	6,2 L (1,6 gal)
Peso	36 kg (79,4 lb)
Dimensiones (La x Al x An)	476 x 375 x 507 mm (18-3/4" x 14-3/4" x 20")
Presión máxima de salida "HP" (Exclusivamente para uso neumático de alta presión)	2,6 MPa (26 bar)
Presión máxima de salida "RP" (Exclusivamente para uso neumático de presión normal)	0,9 MPa (9 bar)
Ruido	LWA 90 dB

• Debido a nuestro programa continuo de investigación y desarrollo, las especificaciones aquí descritas están sujetas a cambios sin previo aviso.

• Nota: Las especificaciones pueden ser diferentes de un país a otro.

Requisito mínimo del circuito: 7 AMPS

* Es preferible utilizar un interruptor diferencial. Utilice solamente un fusible o un interruptor diferencial de la misma tensión que el circuito derivado en el que se utiliza el compresor de aire. Si el compresor de aire está conectado a un circuito protegido por fusibles, utilice fusibles de retardo.

IMPORTANTE

Lea las Directrices de seguridad y TODAS las instrucciones con atención antes de su uso.

Símbolos

Se utilizan los siguientes símbolos para el equipo. Asegúrese de que comprende su significado antes del uso.



..... Lea el manual de instrucciones.



..... **Riesgo de descarga eléctrica.**
Precaución: Antes de realizar cualquier trabajo en el compresor, debe desconectarse de la fuente de alimentación.



..... **Riesgo de altas temperaturas.**
Precaución: El compresor contiene algunas piezas que pueden alcanzar altas temperaturas.



..... **Riesgo de puesta en marcha accidental.**
Atención, el compresor puede ponerse en marcha accidentalmente en caso de un apagón y una posterior reconexión de la red eléctrica.



..... Utilice gafas de seguridad.



..... Sólo para países de la Unión Europea ¡No deseche los aparatos eléctricos junto con los residuos domésticos! De conformidad con la Directiva Europea 2002/96/CE sobre residuos de aparatos eléctricos y electrónicos y su aplicación de acuerdo con la legislación nacional, las herramientas eléctricas cuya vida útil haya llegado a su fin se deberán recoger por separado y trasladar a una planta de reciclaje que cumpla con las exigencias ecológicas.

INSTRUCCIONES IMPORTANTES DE SEGURIDAD

ADVERTENCIA

LEA Y COMPRENDA TODAS LAS INSTRUCCIONES

No seguir todas las instrucciones que se indican a continuación podría provocar una descarga eléctrica, incendio o lesiones graves.



GUARDE ESTAS INSTRUCCIONES.

ÁREA DE TRABAJO

1. **Mantenga el área de trabajo limpia y bien iluminada.** Las áreas oscuras y desordenadas favorecen los accidentes.
2. **No maneje herramientas eléctricas en atmósferas explosivas, tales como aquellas en las que haya presencia de polvo, gases o líquidos inflamables.** Las herramientas eléctricas producen chispas que pueden encender el polvo o los gases.
3. **Mantenga alejados a niños, visitantes y personas de alrededor durante el manejo de una herramienta eléctrica.** Si se distrae, puede perder el control de la herramienta. Proteja a las personas que se encuentran en el área de trabajo de desechos tales como esquirlas y chispas. Proporcione barreras o protecciones según sea necesario. Nunca debe permitirse la presencia de niños en el área de trabajo.
4. **La temperatura ambiente adecuada es de +5°C a +30°C. (De 0°C a + 40°C como máximo)**

ADVERTENCIA

EL USO O EL MANTENIMIENTO INCORRECTOS DE ESTE PRODUCTO PUEDEN TENER COMO RESULTADO LESIONES GRAVES Y DAÑOS A LA PROPIEDAD. LEA Y COMPRENDA TODAS LAS ADVERTENCIAS E INSTRUCCIONES DE USO ANTES DE UTILIZAR ESTE EQUIPO.

ADVERTENCIA

Riesgo de utilización no segura

QUÉ PUEDE SUCEDER

La utilización no segura del compresor de aire puede provocarle lesiones graves a usted o a otras personas.

CÓMO EVITARLO

- Revise y comprenda todas las instrucciones y advertencias de este manual.
- Familiarícese con la utilización y los controles del compresor de aire.
- Mantenga el área de utilización libre de personas, animales y obstáculos
- Mantenga a los niños alejados del compresor de aire en todo momento.
- No utilice el producto cuando esté cansado o bajo la influencia de alcohol o medicamentos. Permanezca alerta en todo momento.
- No inutilice nunca las medidas de seguridad de este producto.
- Tenga un extintor en el área de utilización.
- No utilice la máquina cuando falten piezas, estén rotas o no estén autorizadas.

ADVERTENCIA



Riesgo de explosión del depósito de aire

QUÉ PUEDE SUCEDER

Las siguientes condiciones pueden conducir a un debilitamiento del depósito y TENER COMO RESULTADO UNA EXPLOSIÓN VIOLENTA DEL DEPÓSITO QUE PUEDE CAUSARLE LESIONES GRAVES A USTED O A OTRAS PERSONAS:

- No realización del drenado correcto del agua del depósito, que causa oxidación y debilita las paredes del depósito.
- Modificaciones o intentos de reparación del depósito.
- Modificaciones no autorizadas del interruptor de presión, de la válvula de seguridad o de cualquier otro componente que controle la presión del depósito.

CÓMO EVITARLO

- Drene el depósito de aire diariamente o tras cada uso. Si el depósito de aire tiene una fuga, reemplácelo inmediatamente con un depósito nuevo o sustituya todo el compresor.
- No taladre, suelde ni modifique de ninguna otra manera del depósito de aire, ya que se debilitará. El depósito puede romperse o explotar. Sustitúyalo por un depósito de aire nuevo.
- Siga las recomendaciones del fabricante del equipo y nunca sobrepase la indicación de presión máxima permitida de los accesorios. Nunca utilice el compresor para inflar objetos de baja presión, como juegos de niños, balones de fútbol, pelotas de baloncesto, etc.

ADVERTENCIA



Riesgo de explosión de accesorios y acoplamientos

QUÉ PUEDE SUCEDER

Si sobrepasa la presión máxima de las herramientas neumáticas, pistolas de rocío, neumáticos Y otros objetos inflables, puede ocasionar que estallen o salgan despedidos y pueden causarles lesiones graves a usted o a otras personas.

ADVERTENCIA



Riesgo de descarga eléctrica.

QUÉ PUEDE SUCEDER

- Su compresor de aire funciona con electricidad. Al igual que otros dispositivos eléctricos, si no se utiliza correctamente, puede provocar descargas eléctricas.
- Conexión a tierra: si este producto no se conecta correctamente a tierra, se puede aumentar el riesgo de descarga eléctrica.

CÓMO EVITARLO

- El cableado eléctrico o las reparaciones que este producto necesite deben ser realizadas por personal técnico o por un electricista calificado, de acuerdo con la normativa eléctrica local y nacional.

- Asegúrese de que el circuito eléctrico al que se conecta el compresor proporciona conexión a tierra, la tensión correcta y una protección adecuada mediante fusibles.
- Nunca utilice el compresor en exteriores cuando llueva o en un entorno húmedo.
- Nunca utilice el compresor con protecciones o cubiertas dañadas o que se hayan retirado.

ADVERTENCIA



Riesgo de explosión o fuego

QUÉ PUEDE SUCEDER

Es normal que los contactos eléctricos dentro del motor y el interruptor de presión produzcan chispas cuando el compresor se ponga en marcha o se detenga. Nunca utilice el compresor en una atmósfera en la que estén presentes vapores inflamables. Si lo hace, usted u otras personas pueden sufrir graves lesiones.

CÓMO EVITARLO

- Utilice siempre el compresor en un área bien ventilada, libre de vapores de gasolina o disolventes.
- Si está rociando materiales inflamables, sitúe el compresor como mínimo a 6,1 m del área de rociado.
- Almacene los materiales inflamables en un lugar seguro alejado del compresor.

ADVERTENCIA



Riesgo de inhalación

QUÉ PUEDE SUCEDER

- La inhalación del aire comprimido del compresor no es segura. El chorro de aire puede contener monóxido de carbono u otros vapores, o partículas del depósito u otros componentes.
- Los materiales rociados, como la pintura, disolventes de pintura, quitapintura, insecticidas, herbicidas, etc., pueden contener venenos y vapores nocivos.
- La inhalación del vapor del compresor o de los materiales rociados puede provocar lesiones graves.

CÓMO EVITARLO

- Nunca inhale aire del compresor, ya sea directamente o de un dispositivo de respiración conectado al compresor. Trabaje en un área que cuente con una buena ventilación cruzada.
- Lea y siga las instrucciones de seguridad que se proporcionan en la etiqueta o en la hoja de datos de seguridad del material que está rociando. Utilice un respirador aprobado diseñado para su uso con su aplicación específica.

ADVERTENCIA

Riesgo de ruido



Riesgo de aire comprimido

QUÉ PUEDE SUCEDER

El chorro de aire comprimido puede provocar daños en tejidos blandos y propulsar suciedad, astillas, partículas sueltas y objetos pequeños a alta velocidad, teniendo como resultado daños o lesiones personales.

CÓMO EVITARLO

- Utilice siempre gafas de seguridad homologadas con protecciones laterales cuando use el compresor o realice tareas de mantenimiento.
- Nunca apunte la boquilla o el difusor hacia cualquier parte del cuerpo o a otras personas o animales.
- Siempre debe apagar el compresor y purgar la presión de la línea de aire antes de intentar realizar trabajos de mantenimiento, acoplar herramientas o accesorios.

ADVERTENCIA

Riesgo de partes en movimiento

QUÉ PUEDE SUCEDER

El compresor se enciende y se apaga automáticamente cuando el interruptor de presión está en la posición de encendido/automático (on/auto). Si intenta reparar o realizar tareas de mantenimiento mientras el compresor está funcionando o enchufado, puede quedar expuesto a partes en movimiento. Estas partes en movimiento pueden causar lesiones graves.

CÓMO EVITARLO

- Desenchufe siempre el compresor y elimine la presión de aire del depósito y de cualquier accesorio antes de intentar realizar tareas de mantenimiento o reparación.
- Nunca utilice el compresor con protecciones o cubiertas dañadas o que se hayan retirado.
- Mantenga el cabello, la ropa y los guantes alejados de las piezas móviles. Las ropas sueltas, las joyas o el cabello largo pueden quedar atrapados en ellas.
- Los respiraderos pueden cubrir partes en movimiento y también se deben evitar.

ADVERTENCIA

Riesgo de quemaduras

ADVERTENCIA

No utilice el compresor portátil con la caja o las cubiertas abiertas.

ADVERTENCIA

No abra el grifo antes de conectar la manguera.

QUÉ PUEDE SUCEDER

El contacto con las partes calientes, como la cabeza del compresor o el tubo de salida puede resultar en quemaduras severas.

CÓMO EVITARLO

- Nunca toque ningún componente caliente durante o inmediatamente después del uso del compresor. Nunca evite las coberturas protectoras ni intente

realizar tareas de mantenimiento hasta que se haya dejado enfriar la unidad.

- Manejo y transporte: sujete el asa solamente cuando mueva o transporte el compresor.
- Para evitar lesiones, no toque el cilindro, la culata o el conducto de escape y otras partes sobrecalentadas cuando se utilice el compresor o hasta que haya transcurrido una hora desde el apagado.

ADVERTENCIA

Transporte

- a El nivel de inclinación máximo durante el transporte es de 30°.
- b No utilice vehículos para mover el compresor.
- c No utilice el compresor en un entorno inflamable, explosivo o erosivo.

GLOSARIO

CFM: Pies cúbicos por minuto.

SCFM: Pies cúbicos estándar por minuto, una unidad de medida de entrega de aire.

PSIG: Libras por pulgada cuadrada manométrica; una unidad de medida de la presión.

PRESIÓN DE ARRANQUE: Mientras el motor está apagado, la presión del depósito de aire va cayendo a medida que se utiliza el accesorio o la herramienta neumática. Cuando la presión del depósito cae a cierto nivel, el motor se pone en marcha automáticamente, esta puesta en marcha se produce en la "presión de arranque".

PRESIÓN DE APAGADO: Cuando enciende el compresor de aire, empieza a funcionar y la presión del depósito de aire aumenta. Antes de que llegue a cierta presión, el motor se apaga automáticamente, protegiendo el depósito de aire de una presión superior a la de su diseño. La presión a la que el motor se apaga se denomina "presión de apagado".

CICLO DE TRABAJO

Se recomienda que los compresores de aire fabricados por Makita funcionen en un ciclo de trabajo no superior al 50%. Esto significa que un compresor de aire que bombea aire más del 50% de una hora se considera mal utilizado, ya que tiene un tamaño inferior al necesario para la demanda de aire.

INFORMACIÓN GENERAL

Este compresor de aire está equipado con una bomba sin aceite diseñada para lograr una larga duración sin mantenimiento.

El compresor se puede usar para clavadoras y grapadoras neumáticas con la clasificación adecuada. Se proporciona un regulador de presión de aire para esas aplicaciones.

ADVERTENCIA:

Nunca use el compresor para aplicaciones que no sean el uso de una clavadora o una grapadora con la clasificación adecuada. El uso del compresor para otras aplicaciones



puede resultar en daños a la propiedad y lesiones personales.

Deben utilizarse transformadores de aire separados, que combinan las funciones de regulación de aire y/o humedad y eliminación de suciedad, donde sea procedente.

INSPECCIÓN A LA RECEPCIÓN

DAÑOS: Cada conjunto de compresor de aire se prueba y se comprueba cuidadosamente antes de su envío. Con un manejo incorrecto, se pueden producir daños durante el tránsito y se pueden causar problemas con el funcionamiento del compresor.

Inmediatamente, en el momento de la recepción, compruebe si el equipo tiene daños visibles u ocultos para evitar los gastos en los que se incurrirá para corregir esos problemas. Esto debe realizarse independientemente de cualquier dígito de daños visible del contenedor de envío. Si este producto se le envió directamente, notifique los daños al transportista y prepare una inspección inmediata de los bienes.

ALMACENAMIENTO

Antes de almacenar el compresor de aire, asegúrese de realizar lo siguiente:

1. Revise las secciones "Mantenimiento" y "Procedimientos de uso" y realice las tareas de mantenimiento según sea necesario. Asegúrese de drenar el agua del depósito de aire.
2. Proteja el cable eléctrico y la manguera de aire de daños (evite que se pisen o que se circule por encima).

Almacene el compresor de aire en una ubicación limpia y seca.

DESCRIPCIÓN DEL FUNCIONAMIENTO

VÁLVULA DE DRENAJE: La válvula de drenaje se encuentra en la parte inferior del depósito de aire y se utiliza para drenar la condensación al final de cada uso.

DIFERENCIAL TÉRMICO:

El motor eléctrico tiene un diferencial térmico de restablecimiento manual. Si el motor se sobrecalienta por cualquier motivo, el diferencial térmico apagará el motor. Ponga el interruptor de presión en la posición "off" y espere a que la unidad se enfríe antes de pulsar el botón de reinicio y volver a poner en marcha el compresor.

PROTECTOR DE SOBRECARGA TÉRMICA DEL MOTOR:

Si se sobrepasa la tensión nominal del motor, el termoprotector se abre y apaga el motor automáticamente.

Debe dejarse que el motor se enfríe antes de volver a ponerlo en marcha. El compresor se volverá a poner en marcha automáticamente después del motor.

INTERRUPTOR ON/AUTO - OFF:

Ponga este interruptor en "on" para proporcionar alimentación automática al interruptor de presión y en "off" para cortar la alimentación cuando haya acabado de

utilizar el compresor o cuando se deje el compresor desatendido.

FILTRO DE ENTRADA DE AIRE:

El filtro está diseñado para limpiar el aire procedente de la bomba del compresor. Este filtro siempre debe estar limpio y libre de obstrucciones. Consulte "Mantenimiento".

BOMBA DEL COMPRESOR DE AIRE:

Para comprimir el aire, el pistón se mueve hacia arriba y hacia abajo en el cilindro. En el recorrido hacia abajo, pasa aire a través de la válvula de entrada de aire. La válvula de escape permanece cerrada.

En el recorrido hacia arriba del pistón se comprime el aire. La válvula de entrada se cierra y se fuerza el aire comprimido a pasar a través de la válvula de escape, a través del tubo de salida y la válvula de retención y dentro del depósito de aire. El aire utilizable no está disponible hasta que el compresor ha aumentado la presión del depósito de aire por encima de la necesaria en la salida de aire.

VÁLVULA DE RETENCIÓN:

Cuando el compresor de aire está funcionando, la válvula de retención está "abierta", lo que permite que el aire comprimido entre en el depósito de aire. Cuando el compresor de aire llega a la presión de "apagado", la válvula de retención "se cierra", lo que permite que la presión de aire permanezca dentro del depósito de aire.

VÁLVULA DE DESCARGA DEL INTERRUPTOR DE PRESIÓN:

La válvula de descarga del interruptor de presión ubicada en el lateral del interruptor de presión, está diseñada para liberar automáticamente aire comprimido de la cabeza del compresor y el tubo de salida cuando el compresor de aire llega a la presión de "apagado".

INTERRUPTOR DE PRESIÓN:

El interruptor de presión pone en marcha automáticamente el motor cuando la presión del depósito de aire cae por debajo de la presión de "arranque" definida de fábrica. Detiene el motor cuando la presión del depósito de aire llega a la presión de "apagado" definida de fábrica.

VÁLVULA DE SEGURIDAD:

Si el interruptor de presión no apaga el compresor de aire cuando llega a su presión de "apagado" configurada, la válvula de seguridad protegerá contra la alta presión, "saltando" a la presión definida de fábrica, que es ligeramente superior al ajuste de presión de "apagado" del interruptor de presión.

INDICADOR DE PRESIÓN DE SALIDA:

El indicador de presión de salida indica la presión de aire disponible en el lado de salida del regulador. Esta presión está controlada por el regulador y siempre es inferior o igual a la presión del depósito. Consulte "Procedimientos de uso".

INDICADOR DE PRESIÓN DEL DEPÓSITO:

El indicador de presión del depósito indica la presión de aire del depósito.

REGULADOR:

La presión de aire que proviene del depósito de aire se controla mediante el botón del regulador. Gire el botón en el sentido de las agujas del reloj para aumentar la presión y en el sentido contrario a las agujas del reloj para reducirla. Para evitar pequeños reajustes tras realizar un cambio en el ajuste de presión, alcance siempre la presión deseada desde una presión inferior. Cuando reduzca de un ajuste superior a uno inferior, primero reduzca a una presión inferior a la presión deseada. Dependiendo de los requisitos de aire de cada accesorio particular, la presión de aire de salida regulada puede tener que ajustarse mientras se utiliza el accesorio.

SALIDA DE AIRE COMPRIMIDO; marca "HP"

Para uso exclusivo de herramientas neumáticas de alta presión

Presión máxima de salida; 2,6 MPa (26 bar)

SALIDA DE AIRE COMPRIMIDO; marca "RP"

Para uso exclusivo de herramientas neumáticas de presión normal

Presión máxima de salida; 0,9 MPa (9 bar)

PROCEDIMIENTOS DE INSTALACIÓN Y RODAJE

UBICACIÓN DEL COMPRESOR DE AIRE

Coloque el compresor de aire en un área limpia, seca y bien ventilada. El filtro de aire debe mantenerse libre de obstrucciones, que pueden reducir la entrega de aire del compresor de aire. El compresor de aire debe colocarse como mínimo a 0,3 m de la pared u otras obstrucciones

que interfieran con el flujo de aire. La cabeza y los envoltorios del compresor de aire se han diseñado para una refrigeración correcta. Si la humedad es alta, se puede instalar un filtro de aire en el adaptador de salida de aire para eliminar el exceso de humedad. Siga las instrucciones que se incluyen con el filtro de aire para una instalación correcta.

Coloque el compresor de aire en una superficie plana de forma que descanse de forma segura sobre los pies de goma.

LUBRICACIÓN

Este compresor de aire está equipado con una bomba sin aceite diseñada para lograr una larga duración sin mantenimiento.

Alimentación

Utilice el compresor con las tensiones especificadas en la placa de inscripción, el intervalo de tolerancia admitida debe permanecer en $\pm 5\%$. Si utiliza el compresor con una tensión superior a la tensión nominal, puede resultar en unas revoluciones del motor anormalmente rápidas y puede dañar la unidad y quemar el motor.

Cables de extensión

Para evitar caídas de tensión, pérdida de energía y sobrecalentamiento del motor, utilice una manguera de aire adicional en lugar de un cable de extensión. Una tensión baja puede causar daños en el motor.

Si se debe utilizar un cable de extensión:

- Utilice solamente un cable de extensión de 3 hilos que tenga un enchufe de 3 patas con toma a tierra y una toma de corriente de 3 polos que acepte el enchufe del compresor de aire.
- Asegúrese de que el cable de extensión esté en buen estado.

Consulte en el diagrama siguiente los requisitos de capacidad MÍNIMOS del cable de extensión:

Intervalo de amperaje (220 - 240 V)	Longitud total del cable, en metros					
	10 m 25 pies	15 m 50 pies	20 m 75 pies	30 m 100 pies	50 m 150 pies	60 m 200 pies
0 - 5 A	1,5 mm ²	1,5 mm ²	1,5 mm ²	2,5 mm ²	4 mm ²	4 mm ²
5,1 - 8 A	1,5 mm ²	1,5 mm ²	2,5 mm ²	4 mm ²	4 mm ²	4 mm ²
8 - 12 A	2,5 mm ²	2,5 mm ²	4 mm ²	No se recomienda		

Tuberías

Las tuberías de plástico o PVC no se han diseñado para su uso con aire comprimido. Independientemente de su presión nominal indicada, las tuberías de plástico pueden explotar con la presión de aire. Utilice solamente tuberías de metal para las líneas de distribución de aire. Si es necesaria una línea de tuberías, utilice tuberías del mismo tamaño o de un tamaño superior que la salida del depósito de aire. Las tuberías demasiado pequeñas limitarán el flujo de aire. Si las tuberías tienen una longitud de 30 metros, utilice el siguiente tamaño más

grande. Entierre las líneas subterráneas debajo de la línea de hielo y evite bolsas en los que se pueda producir condensación y se pueda helar. Aplique presión antes de cubrir las líneas subterráneas para asegurarse de que las juntas de las tuberías no tienen fugas.

Instrucciones de conexión a tierra

⚠ ADVERTENCIA: Riesgo de descarga eléctrica. En caso de cortocircuito, la conexión a tierra reduce el riesgo de descargas proporcionando un cable de escape para la corriente eléctrica. Este compresor de aire debe conectarse correctamente a tierra.

El compresor de aire está equipado con un cable que tiene un hilo de conexión a tierra con un enchufe de

conexión a tierra apropiado. El enchufe debe utilizarse con una toma que se haya instalado y conectado a tierra de acuerdo con la normativa y las ordenanzas locales. La toma debe tener la misma configuración que el enchufe. NO UTILICE UN ADAPTADOR.

Inspeccione el enchufe y el cable antes de cada uso. No lo utilice si hay signos de daños.

PELIGRO:

Una conexión a tierra incorrecta puede resultar en descargas eléctricas. No modifique el enchufe que se ha proporcionado. Si no se ajusta a la toma disponible, un electricista calificado debe instalar la toma correcta.

PROCEDIMIENTOS DE USO

Lista de comprobación de puesta en marcha diaria

INSTALACIÓN DE LAS MANGUERAS

⚠ ADVERTENCIA:

Riesgo de utilización no segura. Sujete firmemente la manguera con las manos durante la instalación o la desconexión para evitar latigazos de la manguera. La pérdida de control de la manguera puede resultar en daños personales y daños a la propiedad.

1. Antes de conectar la manguera de aire o los accesorios, asegúrese de que la palanca del interruptor de presión está configurada en "OFF" y el regulador de aire o la válvula de cierre está cerrado.
2. Conecte la manguera y los accesorios. Demasiada presión de aire puede provocar un riesgo de explosión. Compruebe la presión nominal máxima del fabricante para los accesorios y las herramientas de aire. La presión de salida del regulador nunca debe superar la presión nominal máxima.
3. Ponga la palanca del interruptor de presión en "ON/AUTO" (Encendido/automático) y deje que se acumule la presión en el depósito. El motor se detendrá cuando la presión del depósito llegue a la presión de "apagado".
4. Abra el regulador girándolo en el sentido de las agujas del reloj. Ajuste el regulador en el ajuste de presión correcto. El compresor está listo para su uso.
5. Utilice siempre el compresor de aire en áreas bien ventiladas, libres de vapores de gasolina o disolventes. No utilice el compresor cerca del área de rociado.

Cuando haya acabado:

DESCONEXIÓN DE LAS MANGUERAS

⚠ ADVERTENCIA:

Riesgo de utilización no segura. Sujete firmemente la manguera con las manos durante la instalación o la desconexión para evitar latigazos de la manguera. La pérdida de control de la manguera puede resultar en daños personales y daños a la propiedad.

6. Ajuste la palanca del interruptor de presión en "OFF" (Apagado).
7. Mediante el accesorio o la herramienta de aire, purgue el depósito de aire completamente.

8. Retire la herramienta de aire o el accesorio.
9. Drene el agua del depósito de aire abriendo la válvula del grifo de drenaje de la parte inferior del depósito. EL AGUA SE CONDENSARÁ EN EL DEPÓSITO DE AIRE. SI NO SE DRENA, EL AGUA OXIDARÁ Y DEBILITARÁ EL DEPÓSITO DE AIRE PROVOCANDO UN RIESGO DE ROTURA DEL DEPÓSITO DE AIRE.

Nota:

Si la válvula del grifo de drenaje está conectada, libere toda la presión del aire. Podrá extraer la válvula, limpiarla y volver a montarla.

10. Tras drenar el agua, cierre la válvula de drenaje. El compresor de aire ahora se puede almacenar.

⚠ ADVERTENCIA:

Drene el depósito de aire correctamente. Un drenaje incorrecto del depósito de aire puede provocar la corrosión y una posible explosión del depósito. La explosión del depósito puede ocasionar lesiones personales y daños a la propiedad. La instrucción adicional de la advertencia original solamente repite lo que se indica en el punto 9 anterior. Asimismo, no indica que el compresor deba apagarse.

MANTENIMIENTO

⚠ ADVERTENCIA:

Nunca utilice un compresor de aire que funcione de forma anómala.

Si parece que el compresor de aire no funciona de forma normal o bien emite ruidos extraños o vibraciones, deje de utilizarlo inmediatamente y haga que lo repare un centro de servicio técnico autorizado de Makita.

⚠ ADVERTENCIA:

Utilice solamente piezas de recambio originales de Makita. Las piezas de recambio no fabricadas por Makita pueden anular la garantía y provocar averías y lesiones. Puede encontrar piezas originales de Makita en su distribuidor autorizado.

⚠ ADVERTENCIA:

LA UNIDAD SE APAGA Y SE ENCIENDE AUTOMÁTICAMENTE CUANDO LA ALIMENTACIÓN ESTÁ CONECTADA. CUANDO REALICE TAREAS DE MANTENIMIENTO, PUEDE ESTAR EXPUESTO A FUENTES DE TENSIÓN, AIRE COMPRIMIDO O PARTES EN MOVIMIENTO. PUEDEN PRODUCIRSE LESIONES PERSONALES. ANTES DE REALIZAR CUALQUIER MANTENIMIENTO O REPARACIÓN, DESENCHUFE EL COMPRESOR Y PURGUE TODA LA PRESIÓN DEL AIRE.

Para garantizar un funcionamiento eficiente y una mayor duración de la unidad del compresor de aire, debe prepararse y seguirse un calendario de mantenimiento rutinario. El siguiente calendario de mantenimiento rutinario está pensado para una unidad en un entorno de

trabajo normal que se utiliza diariamente. Si es necesario, el calendario debe modificarse para adecuarse a las condiciones en las que se utiliza el compresor. Las modificaciones dependerán de las horas de uso y del entorno de trabajo. Las unidades del compresor en un entorno extremadamente sucio u hostil requerirán una mayor frecuencia de todas las comprobaciones de mantenimiento.

PROGRAMACIÓN DE MANTENIMIENTO DE RUTINA

1. Drene el agua del depósito de aire y los separadores o transformadores de humedad.
2. Compruebe si hay cualquier vibración o ruido inusual.
3. Compruebe manualmente todas las válvulas de seguridad para asegurarse de que funcionan correctamente.

⚠️ ADVERTENCIA: Riesgo de explosión.
Compruebe la válvula de seguridad. Si la válvula no funciona correctamente, se puede producir una sobrepresión del depósito, que puede provocar una

1) SOLUCIÓN DE PROBLEMAS

PROBLEMA	CAUSA	CORRECCIÓN
No se pone en marcha	Fusible fundido o interruptor diferencial activado; Conexiones eléctricas flojas; Cable de extensión incorrecto; Sobrecalentamiento del motor	Busque la causa y reemplace o reinicie; Compruebe las conexiones del cableado Máx. 15 m/50 pies., mín. calibre 14; Utilice el botón de reinicio/espere al reinicio automático
Presión baja	Fuga de aire en la válvula de seguridad Filtro de aire sucio Válvula de retención defectuosa	Compruebe la válvula manualmente: tire hacia arriba de las anillas. Si la condición persiste, sustituya la válvula; Limpie o sustituya el filtro de aire; Sustituya la válvula de retención.
La válvula de seguridad se dispara	Interruptor de presión o ajuste incorrecto	Compruebe si el ajuste es correcto y si el problema persiste, sustituya el interruptor de presión

2) ADVERTENCIA

Si la máquina se levanta y se transporta de forma incorrecta sufrirá daños.

Mantenimiento diario

1. Antes de cada uso:
 - A Asegúrese de que todas las tuercas y todos los pernos estén apretados.
 - B Compruebe si hay ruidos o vibraciones inusuales.
2. Después de cada uso:

Vacíe todo el aire del depósito de aire. Abra el grifo de drenaje de la parte inferior del depósito de aire para drenar la condensación del tanque.
3. Mantenimiento semanal:
 - A Compruebe el funcionamiento de la válvula de seguridad.
 - B Compruebe que en el interruptor de aire la presión nominal establecida sea de 2,8 Mpa.
 - C Limpie el filtro de aire.
4. Mantenimiento mensual:
 - A Inspeccione el sistema de aire en busca de fugas aplicando agua jabonosa en todas las juntas. Apriete las juntas si observa fugas.
 - B Compruebe que todas las tuercas y todos los pernos estén apretados.

rotura o explosión que puede causar lesiones personales y daños a la propiedad.

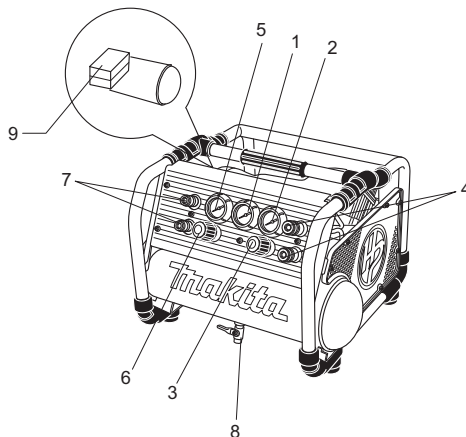
4. Inspeccione el filtro de aire y sustitúyalo si es necesario.
5. Inspeccione las líneas de aire y las conexiones para comprobar si hay fugas y tome las acciones necesarias.
 Cada año de uso o si se sospecha que hay un problema:
 - Compruebe el estado de la entrada de la bomba del compresor de aire y de las válvulas de escape.
 - Compruebe el estado de la válvula de retención. Sustitúyala si está dañada o gastada.
6. Conserve todos los tornillos, pernos y cubiertas bien apretadas. Compruebe su estado periódicamente.

⚠️ ADVERTENCIA:
Mantenga todos los tornillos, pernos y cubiertas correctamente apretados. Si las placas de los tornillos o las cubiertas se aflojan, se pueden producir lesiones personales o daños a la propiedad.

PORTUGUÊS

Descrição geral

1. Manómetro de pressão do depósito de ar
2. Manómetro de pressão regulado "HP"
3. Regulador de ar "HP"
4. ligadores rápidos "HP" (Saída de ar)
5. Manómetro de pressão regulado "RP"
6. Regulador de ar "RP"
7. ligadores rápido "RP" (Saída de ar)
8. Válvula de drenagem
9. Interruptor de pressão



ESPECIFICAÇÕES

Modelo	AC310H
Potência máxima de entrada	1800 W
SCFM @ 40 PSIG (L/min @ 2,8 bar)	3,7 (106 L)
SCFM @ 90 PSIG (L/min @ 6,2 bar)	3,6 (101 L)
SCFM @ 300 PSIG (L/min @ 21 bar)	2,7 (77 L)
Pressão de arranque	2,3 MPa (23 bar)
Pressão de corte	2,8 MPa (28 bar)
Diâmetro x Curso x Qtd	62 mm x 31 mm x 1,45 mm x 10 mm x 1
Tensão -Fase única	220 - 240 V AC
Hz	50 Hz
RPM do motor	1420 min ⁻¹
Lubrificação	Sem óleo
Dimensão do depósito	1,6 gal (6,2 L)
Peso	36 kg (79,4 lb)
Dimensões (C x A x L)	18-3/4" x 14-3/4" x 20" (476 x 375 x 507 mm)
Pressão máxima de saída "HP" (Exclusivamente para utilização de alta pressão pneumática)	2,6 MPa (26 bar)
Pressão máxima de saída "RP" (Exclusivamente para utilização de pressão pneumática normal)	0,9 MPa (9 bar)
Ruído	LWA 90 dB

- Devido à pesquisa e desenvolvimento constantes, estas especificações estão sujeitas a alteração sem aviso prévio.
- Nota: estas especificações podem diferir de país para país.

Requisito circuito mínimo: 7 AMPS

* É preferível um disjuntor. Utilize apenas um fusível ou disjuntor com a mesma classificação que o circuito de derivação no qual o compressor pneumático é utilizado. Se o compressor pneumático estiver ligado a um circuito protegido por fusíveis, utilize fusíveis de atraso de tempo.

IMPORTANTE

Leia cuidadosamente as directrizes de segurança e TODAS as instruções antes de utilizar.

Símbolos

Descrição dos símbolos utilizados no equipamento. Certifique-se de que compreende o seu significado, antes da utilização.



..... Leia o manual de instruções.



..... Risco de choque eléctrico.
Precaução: antes de fazer qualquer trabalho no compressor, tem de estar desligado da fonte de alimentação.



..... Risco de altas temperaturas.
Precaução: o compressor contém algumas peças que podem atingir altas temperaturas.



..... Risco de arranque acidental.
Atenção, o compressor pode arrancar acidentalmente em caso de falha eléctrica e consequente restabelecimento da electricidade.



..... Use óculos de segurança.



..... Apenas para países da UE
Não deite equipamentos eléctricos no lixo doméstico!
De acordo com a directiva europeia 2002/96/CE sobre ferramentas eléctricas e electrónicas usadas e a sua aplicação para as leis nacionais, as ferramentas eléctricas usadas devem ser recolhidas em separado e encaminhadas a uma instalação de reciclagem dos materiais ecológicos.

INSTRUÇÕES DE SEGURANÇA IMPORTANTES

⚠ AVISO

LEIA E COMPREENDA TODAS AS INSTRUÇÕES

Caso não siga todas as instruções indicadas abaixo, poderão ocorrer choques eléctricos, incêndios e/ou ferimentos graves.



GUARDE ESTAS INSTRUÇÕES.

ÁREA DE TRABALHO

1. **Mantenha a sua área de trabalho limpa e bem iluminada.** As áreas desarrumadas e escuras são propícias à ocorrência de acidentes.
2. **Não utilize ferramentas eléctricas em atmosferas explosivas, tais como na presença de líquidos,**

gases ou pó inflamáveis. As ferramentas eléctricas criam faíscas que poderão pegar fogo ao pó ou gases.

3. **Mantenha afastadas as pessoas, crianças e visitantes enquanto utilizar uma ferramenta eléctrica.** As distrações podem fazer com que perca o controlo. Proteja as outras pessoas na área de trabalho de resíduos tais como rebarbas e faíscas. Disponibilize as protecções necessárias. As crianças nunca devem ser autorizadas a permanecer na área de trabalho.
4. **A temperatura ambiente adequada é de +5°C a +30°C. (0°C a +40°C, no máximo)**



AVISO

O FUNCIONAMENTO OU MANUTENÇÃO INADEQUADOS DESTES PRODUTOS PODE RESULTAR EM FERIMENTOS GRAVES E DANOS MATERIAIS. LEIA E COMPREENDA TODOS OS AVISOS E INSTRUÇÕES DE FUNCIONAMENTO ANTES DE UTILIZAR ESTE EQUIPAMENTO.



AVISO

Risco de funcionamento inseguro

O QUE PODE ACONTECER

O funcionamento do compressor pneumático pode provocar ferimentos graves em si e em terceiros.

COMO PREVENIR

- Reveja e compreenda todas as instruções e avisos neste manual.
- Familiarize-se com o funcionamento e controlos do compressor pneumático.
- Mantenha a área de trabalho isenta de pessoas, animais e obstáculos.
- Mantenha sempre as crianças afastadas do compressor pneumático.
- Não utilize o produto se estiver cansado ou sob o efeito de álcool ou drogas. Esteja sempre atento.
- Nunca altere as funcionalidades de segurança deste produto.
- Equipe a área de trabalho com um extintor.
- Não utilize a máquina com peças em falta, partidas ou não autorizadas.



AVISO

Risco de explosão do depósito de ar



O QUE PODE ACONTECER

As seguintes condições podem provocar um enfraquecimento do depósito e RESULTAR NUMA VIOLENTA EXPLOSÃO DO DEPÓSITO, CAUSANDO FERIMENTOS GRAVES EM SI E EM TERCEIROS.

- Escoamento inadequado da água condensada do depósito, causando ferrugem e desgaste da parede do depósito.
- Modificações ou tentativas de reparação no depósito.
- Modificações não autorizadas no interruptor de pressão, válvula de segurança ou outros componentes, que controlam a pressão do depósito.

COMO PREVENIR

- Escoe o depósito de ar diariamente ou após cada utilização. Se o depósito de ar desenvolver uma fuga, substitua-o imediatamente por um novo depósito ou substitua o compressor.
- Não perfure, solde ou modifique de qualquer forma o depósito, caso contrário irá enfraquecer. O depósito pode quebrar ou explodir. Substitua por um depósito novo.
- Siga a recomendação dos fabricantes do equipamento e nunca exceda a classificação de pressão máxima admissível dos encaixes. Nunca utilize o compressor para encher objectos de pressão reduzida como brinquedos de crianças, bolas de futebol ou de basquetebol, etc.

AVISO

Risco de explosão dos encaixes e acessórios



O QUE PODE ACONTECER

Exceder a classificação de pressão de ferramentas pneumáticas, acessórios pneumáticos, pneus E outros insufláveis pode fazer com que expludam ou sejam projectados e provocar ferimentos graves em si e em terceiros.

AVISO

Risco de choque eléctrico



O QUE PODE ACONTECER

- O compressor pneumático é alimentado por electricidade. Tal como qualquer outro dispositivo alimentado por electricidade, se não for utilizado adequadamente, pode causar choques eléctricos.
- Ligação à terra: caso não proporcione uma ligação à terra adequada do produto, pode aumentar o risco de choques eléctricos.

COMO PREVENIR

- Todas as cablagens eléctricas ou reparações necessárias para este produto devem ser efectuadas por técnicos qualificados ou um electricista, de acordo com os códigos eléctricos locais e nacionais.
- Certifique-se de que o circuito eléctrico ao qual o compressor está ligada fornece uma ligação à terra adequada, tensão correcta e protecção dos fusíveis apropriada.
- Nunca utilize o compressor no exterior quando estiver a chover ou num ambiente húmido.
- Nunca utilize o compressor com as protecções ou tampas danificadas ou removidas.

AVISO

Risco de explosão ou incêndio



O QUE PODE ACONTECER

É normal os contactos eléctrico no motor e interruptor de pressão fazerem faísca, sempre que o compressor arranca ou pára. Nunca utilize o compressor numa

atmosfera com vapores inflamáveis. Ao fazê-lo pode resultar em ferimentos graves para si e para terceiros.

COMO PREVENIR

- Utilize sempre o compressor numa área bem ventilada, sem gasolina ou vapores de solventes.
- Se pulverizar materiais inflamáveis, coloque o compressor no mínimo a 6,1 m da área pulverizada.
- Guarde os materiais inflamáveis num local seguro longe do compressor.

AVISO

Risco para a respiração



O QUE PODE ACONTECER

- O ar comprimido do compressor não é seguro para respirar.
- O fluxo de ar pode conter monóxido de carbono ou outros vapores ou partículas do depósito ou outros componentes.
- Os materiais pulverizados como tinta, dissolventes de tinta, decapante, insecticidas, herbicidas, etc., contêm vapores e venenos perigosos.
- Respirar os materiais do compressor ou pulverizados pode resultar em ferimentos graves.

COMO PREVENIR

- Nunca inale ar do compressor, directamente ou a partir de um dispositivo de respiração ligado ao compressor. Trabalhe numa área com boa ventilação cruzada.
- Leia e siga as instruções de segurança fornecidas na etiqueta ou na folha dos dados de segurança relativamente ao material que pulveriza. Utilize um respirador aprovado concebido para a utilização com a aplicação específica.

AVISO

Risco de ruído



Risco do ar comprimido



O QUE PODE ACONTECER

O fluxo de ar comprimido pode causar ferimentos na pele e pode projectar sujidade, aparas, partículas soltas e pequenos objectos a alta velocidade, resultando em danos materiais ou ferimento pessoais.

COMO PREVENIR

- Quando utilizar ou realizar a manutenção do compressor, use sempre óculos de segurança aprovados com protecções laterais.
- Nunca aponte o bico ou o pulverizador para uma parte do corpo ou para outras pessoas ou animais.
- Desligue sempre o compressor e purgue a pressão da linha de ar antes de tentar a manutenção, encaixar ferramentas ou acessórios.

AVISO

Risco de peças móveis

O QUE PODE ACONTECER

O compressor produz ciclos automaticamente quando o interruptor de pressão se encontra na posição on/auto. Se tentar uma reparação ou manutenção enquanto o compressor está em funcionamento ou ligado, irá expor-se às peças móveis. Estas peças móveis podem causar ferimentos graves.

COMO PREVENIR

- Desligue sempre o compressor e solte a pressão de ar do depósito e quaisquer encaixes antes de tentar qualquer manutenção ou reparação.
- Nunca utilize o compressor com as protecções ou tampas danificadas ou removidas.
- Mantenha o cabelo, roupas e luvas afastados de peças móveis. As roupas soltas, jóias ou cabelo comprido podem fixar presos nas peças móveis.
- As entradas de ar podem cobrir as peças móveis e devem ser igualmente evitadas.



AVISO

Risco de queimadura

AVISO

Não utilize o compressor portátil com as portas ou os compartimentos abertos!



AVISO

Não abra o bujão antes de ligar o tubo flexível de ar!



O QUE PODE ACONTECER

O contacto com peças quentes como a cabeça do compressor ou os tubos de saída pode resultar num queimadura de pele grave.

COMO PREVENIR

- Nunca toque nos componentes quentes durante ou imediatamente após o funcionamento do compressor. Não coloque as mãos dentro das protecções nem tente uma manutenção enquanto a unidade não arrefecer.
- Manuseamento e elevação: segure apenas na pega quando deslocar ou transportar o compressor.
- Para evitar ferimentos, quando o compressor estiver em funcionamento ou tiver sido desligado há menos de uma hora, não toque no cilindro, na cabeça do cilindro, no escape ou noutras partes sobreaquecidas.

AVISO:

Transporte

- a A inclinação máxima durante a tracção é de, pelo menos, 30°.
- b Não aplique veículos para tracção.
- c Não coloque o compressor em serviços inflamáveis, explosivos ou erosivos.

GLOSSÁRIO

CFM: Pés cúbicos por minuto.

SCFM: Pé cúbico padrão por minuto; uma unidade de medida de distribuição de ar.

PSIG: Manómetro de libras por polegada quadrada; uma unidade de medida de pressão.

PRESSÃO DE ARRANQUE: Enquanto o motor está desligado, a pressão do depósito de ar desce à medida que continua a utilizar o acessório ou ferramenta pneumática. Quando a pressão do depósito desce para um certo nível, o motor reinicia automaticamente, o reinício denomina-se "pressão de arranque".

PRESSÃO DE CORTE: Quando liga o compressor pneumático, este começa a funcionar, a pressão de ar no depósito começa a aumentar. Aumenta até uma certa pressão antes do motor se desligar automaticamente - protegendo o depósito de ar de pressão superior à de concepção. A pressão a que o motor se desliga denomina-se "pressão de corte".

CICLO DE FUNCIONAMENTO

Todos os compressores pneumáticos fabricados pela Makita devem ser utilizados abaixo de um ciclo de funcionamento de 50%. Isto significa que um compressor pneumático que bombeia ar mais de 50% de uma hora considera-se má utilização porque o compressor pneumático é subdimensionado para a procura de ar necessária.

INFORMAÇÕES GERAIS

Este compressor pneumático está equipado com uma bomba sem óleo, concebida para durabilidade e sem necessitar de manutenção.

O compressor pode ser utilizado para máquinas de pregos e agrafadores pneumáticos com a potência correcta. É fornecido um regulador da pressão de ar para estas aplicações.

AVISO:

Nunca utilize o compressor para aplicações que não accionem uma máquina de pregos e agrafador com a potência adequada. A utilização do compressor para outras aplicações poderia resultar em danos materiais e ferimentos pessoais.

Separe os transformadores de ar que combinam as funções de regulação de ar e/ou remoção de humidade e sujidade devem ser utilizados quando necessário.

INSPECÇÃO NO MOMENTO DA RECEPÇÃO

DANOS: Cada equipamento do compressor pneumático é testado e verificado cuidadosamente antes do envio. Devido a manuseamento inadequado, podem resultar danos e causar problemas com o funcionamento do compressor.

Imediatamente após a chegada, verifique o equipamento por danos ocultos e visíveis para evitar despesas na correcção dos problemas. Isto deve ser efectuado independentemente de quaisquer sinais visíveis de danos

no invólucro de envio. Se este produto for enviado directamente para si, comunique os danos ao transportador e realize imediatamente uma inspecção do material.

ARMAZENAMENTO

Antes de guardar o compressor pneumático, certifique-se de que efectua o seguinte:

1. Reveja as secções "Manutenção" e Procedimentos de funcionamento" e execute a manutenção necessária. Certifique-se de que escoar a água do depósito de ar.
2. Proteja o cabo eléctrico e a tубo do ar de danos (como pisar ou passar com um veículo por cima). Guarde o compressor pneumático num local limpo e seco.

DESCRIÇÃO DE FUNCIONAMENTO

VÁLVULA DE ESCOAMENTO: A válvula de escoamento está situada no fundo do depósito de ar e é utilizada para escoar a condensação no final de cada utilização.

DISJUNTOR TÉRMICO:

O motor eléctrico tem um disjuntor térmico de reiniciação manual. Se o motor sobreaquecer por qualquer razão, o disjuntor irá desligar o motor. Rode o interruptor de pressão para a posição "off" e aguarde que a unidade arrefeça antes de premir o botão para reiniciar o compressor.

PROTECTOR DE SOBRECARGA TÉRMICO DO MOTOR:

Quando a potência actual do motor for excedida, o protector térmico será aberto e desligará automaticamente o motor. O motor deve arrefecer antes de reiniciar. O compressor será automaticamente reiniciado depois do motor.

INTERRUPTOR ON/AUTO - OFF:

Rode este interruptor para "on" para fornecer alimentação automática ao interruptor de pressão e rode para "off" para retirar alimentação quando terminar de utilizar o compressor ou quando o compressor não está a ser vigiado.

FILTRO DE ENTRADA DE AR:

Este filtro está concebido para limpar o ar que entra na bomba do compressor. Este filtro tem de estar sempre limpo e livre de obstruções. Consultar "Manutenção".

BOMBA DO COMPRESSOR PNEUMÁTICO:

Para comprimir ar, o êmbolo desloca-se para cima e para baixo no cilindro. No curso para baixo, o ar é atraído para a válvula de entrada de ar. A válvula de descarga permanece fechada.

No curso para cima do êmbolo, o ar é comprimido. A válvula de entrada fecha e o ar comprimido é forçado a sair pela válvula de descarga, pelo tubo de saída, pela válvula de regulação e para o depósito de ar. O ar utilizável só está disponível quando o compressor aumentar a pressão do depósito de ar acima da pressão necessária na saída de ar.

VÁLVULA DE REGULAÇÃO:

Quando o compressor pneumático está em funcionamento, a válvula de regulação está "aberta", permitindo ao ar comprimido entrar no depósito de ar. Quando o compressor pneumático atinge a pressão de "corte", a válvula de regulação "fecha", permitindo que a pressão de ar permaneça dentro do depósito de ar.

VÁLVULA DE ESCAPE DO INTERRUPTOR DE PRESSÃO

A válvula de escape do interruptor de pressão situada na parte lateral do interruptor de pressão, está concebida para soltar automaticamente ar comprimido a partir da cabeça do compressor e do tubo de saída quando o ar comprimido atingir a pressão de "corte".

INTERRUPTOR DE PRESSÃO:

O interruptor de pressão liga automaticamente o motor quando a pressão do depósito de ar descer para a pressão de "arranque" predefinida. Desliga o motor quando a pressão do depósito de ar atingir a pressão de "corte" predefinida.

VÁLVULA DE SEGURANÇA:

Se o interruptor de pressão não desligar o compressor pneumático na definição de pressão de "corte", a válvula de segurança irá proteger contra a alta pressão ao "saltar" à pressão predefinida, que é ligeiramente superior à definição de "corte" do interruptor de pressão.

MANÓMETRO DE PRESSÃO DE SAÍDA:

O manómetro de pressão de saída indica a pressão de ar disponível no lado de saída do regulador. Esta pressão é controlada pelo regulador e é sempre inferior ou igual à pressão do depósito. Consultar "Procedimentos de funcionamento".

MANÓMETRO DE PRESSÃO DO DEPÓSITO:

O manómetro de pressão do depósito indica a pressão de ar no mesmo.

REGULADOR:

A pressão de ar proveniente do depósito de ar é controlada pelo botão do regulador. Rode o botão para a direita para aumentar a pressão e para a esquerda para diminuir a pressão. Para evitar pequenos reajustes após fazer uma alteração na definição de pressão, aborde sempre a pressão pretendida a partir de uma pressão inferior. Quando reduzir de pressão superior para uma pressão inferior, reduz primeiro para uma pressão inferior à pressão pretendida. Dependendo nos requisitos de ar de cada acessório em particular, o ar de saída regulado pode ter de ser ajustado enquanto utiliza o acessório.

SAÍDA DE AR COMPRIMIDO; marca "HP"

Para uso exclusivo da ferramenta pneumática de alta pressão
Pressão máx. de saída; 2,6 MPa (26 bar)

SAÍDA DE AR COMPRIMIDO; marca "RP"

Para uso da ferramenta pneumática de pressão normal
Pressão máx. de saída; 0,9 MPa (9 bar)

PROCEDIMENTOS DE INSTALAÇÃO E INICIAÇÃO

LOCAL DO COMPRESSOR PNEUMÁTICO

Coloque o compressor pneumático num local limpo, seco e bem ventilado. O filtro de ar tem de estar livre de obstruções que pode reduzir a distribuição de ar do compressor pneumático. O compressor pneumático deve estar situado no mínimo a 0,3 m da parede ou outras obstruções que interferem com o caudal de ar. A cabeça e a protecção do compressor pneumático estão concebidas para permitir o adequado arrefecimento. Se a humidade for alta, pode ser instalado um filtro de ar no adaptador de saída de ar para retirar a humidade excessiva. Siga as instruções embaladas com o filtro de ar para uma instalação adequada.

Coloque o compressor pneumático numa superfície plana, para que assente em segurança sobre os pés de borracha.

LUBRIFICAÇÃO

Este compressor pneumático está equipado com uma bomba sem óleo, concebida para durabilidade e sem necessitar de manutenção.

Consulte a tabela abaixo para conhecer os requisitos MÍNIMOS de medida do cabo de extensão:

Intervalo de classificação Amp (220 - 240 V)	Comprimento total de cabo em metros					
	10 m 25 ft.	15 m 50 ft.	20 m 75 ft.	30 m 100 ft.	50 m 150 ft.	60 m 200 ft.
0 - 5 A	1,5 mm ²	1,5 mm ²	1,5 mm ²	2,5 mm ²	4 mm ²	4 mm ²
5,1 - 8 A	1,5 mm ²	1,5 mm ²	2,5 mm ²	4 mm ²	4 mm ²	4 mm ²
8 - 12 A	2,5 mm ²	2,5 mm ²	4 mm ²	Não recomendado		

Tubagem

O tubo de plástico ou PVC não está concebido para utilização com o compressor pneumático. Independentemente da taxa de pressão indicada, o tubo de plástico pode rebentar devido à pressão de ar. Utilize apenas tubo de metal para as linhas de distribuição de ar. Se for necessária uma linha de tubo, utilize um tubo do mesmo tamanho, ou maior, que a saída do depósito de ar. Uma tubagem demasiado pequena inibe o caudal de ar. Se a tubagem tiver mais de 30 metros de comprimento, utilize o tamanho acima. Enterre as linhas subterrâneas abaixo da linha de congelação e evite bolsas onde a condensação pode ocorrer e congelar. Aplique pressão antes de cobrir as linhas subterrâneas para se certificar de que todas as uniões não têm fugas.

Instruções de ligação à terra

⚠ AVISO: Risco de choques eléctricos! Em caso de curto-circuito, a ligação à terra reduz o risco de choque ao fornecer um fio de escape para a corrente eléctrica. O compressor pneumático tem de ser ligado à terra de forma adequada.

O compressor pneumático está equipado com um cabo com um fio de ligação à terra com uma ficha de ligação à terra adequada. A ficha tem de ser utilizada com uma saída que foi instalada e ligada à terra de acordo com os

Fonte de alimentação

Utilize o compressor em tensões especificadas na placa de identificação, o intervalo de tolerância admissível tem de permanecer dentro de $\pm 5\%$. Se utilizar o compressor a uma tensão superior à tensão nominal, irá resultar em rotações de motor involuntariamente rápidas e podem danificar a unidade e avariar o motor.

Cabos de extensão

Para evitar quedas de tensão, perdas de potência e sobreaquecimento do motor, utilize o tubo de ar extra em vez de um cabo de extensão. A tensão baixa pode danificar o motor.

Se tiver de utilizar um cabo de extensão:

- Utilize apenas um cabo de extensão de 3 fios aprovado com uma ficha de ligação à terra de 3 lâminas e uma tomada de 3 ranhuras compatível com a ficha no compressor pneumático.
- Certifique-se de que o cabo de extensão está em bom estado.

códigos locais. A saída tem de ter a mesma configuração que a ficha. **NÃO UTILIZE UM ADAPTADOR.**

Verifique a ficha e o cabo antes de cada utilização. Não utilize se existirem sinais de danos.

PERIGO:

Uma ligação à terra inadequada pode provocar choques eléctricos. Não modifique a ficha fornecida. Se não encaixar na saída disponível, a saída correcta deve ser instalada por um electricista qualificado.

PROCEDIMENTOS DE FUNCIONAMENTO

Lista de controlo do arranque diário

INSTALAR TUBOS

⚠ AVISO:

Risco de funcionamento inseguro. Segure firmemente o tubo quando instalar ou desligar para evitar que salte do mão.

A perda de controlo da mangueira pode resultar em ferimentos pessoais e danos materiais.

1. Antes de encaixar o tubo de ar ou os acessórios, certifique-se de que a alavanca do interruptor de pressão está definido em "OFF" e o regulador de ar ou a válvula de corte está fechada.

MANUTENÇÃO

2. Instale o tubo e os acessórios. Demasiada pressão de ar causa um perigoso risco de explosão. Verifique a classificação de pressão máxima do fabricante para ferramentas pneumáticas e acessórios. A pressão da saída do regulador nunca deve exceder a classificação de pressão máxima.
3. Rode a alavanca do interruptor de pressão para "ON/AUTO" e permita o aumento da pressão do depósito. O motor irá desligar quando a pressão do depósito atingir a pressão de "corte".
4. Abra o regulador rodando-o para a direita. Ajuste o regulador para a definição de pressão correcta. O compressor está pronto a ser utilizado.
5. Utilize sempre o compressor pneumático em áreas bem ventiladas, sem gasolina ou outros vapores de solvente. Não utilize o compressor perto da área pulverizada.

Quando terminar:

DESLIGAR TUBOS

⚠ AVISO:

Risco de funcionamento inseguro. Segure firmemente o tubo quando instalar ou desligar para evitar que salte da mão.

A perda de controlo da mangueira pode resultar em ferimentos pessoais e danos materiais.

6. Defina a alavanca do interruptor de pressão para "OFF".
7. Através da ferramenta pneumática ou acessório, purgue a pressão do depósito até zero.
8. Retire a ferramenta pneumática ou acessório.
9. Escoe a água do depósito de ar ao abrir a válvula de purga no fundo do depósito. **A ÁGUA IRÁ CONDENSAR NO DEPÓSITO DE AR. SE NÃO FOR ESCOADA, A ÁGUA IRÁ CORROER E ENFRAQUECER O DEPÓSITO DE AR CAUSANDO UM RISCO DE RUPTURA DO DEPÓSITO DE AR.**

Nota:

Se a válvula de escoamento estiver entupida, liberte toda a pressão de ar. A válvula pode então ser retirada, limpa e novamente instalada.

10. Depois de escoar a água, feche a válvula de escoamento. O compressor pneumático pode agora ser guardado.

⚠ AVISO:

Escoe correctamente o depósito do ar. Um escoamento incorrecto do depósito de ar pode resultar em corrosão e possível rebenatamento do depósito. O rebenatamento do depósito pode provocar ferimentos pessoais e danos materiais. A instrução adicional no aviso inicial apenas repete o que é dito no item 9, acima. Além disso, não indica que o compressor deve ser desligado.

⚠ AVISO:

Nunca utilize um compressor pneumático com um funcionamento anormal.

Se o compressor pneumático parecer funcionar de forma invulgar, fazendo ruídos estranhos ou vibrações, pare de o utilizar imediatamente e envie para reparação num centro de assistência autorizada Makita.

⚠ AVISO:

Utilize apenas peças sobresselentes Makita originais. As peças sobresselentes não fabricadas pela Makita podem anular a garantia e provocar avarias e resultar em ferimentos. As peças Makita originais estão disponíveis num fornecedor autorizado.

⚠ AVISO:

A UNIDADE PRODUZ O CICLO AUTOMATICAMENTE QUANDO É LIGADA. AQUANDO DA MANUTENÇÃO, PODE EXPOR-SE A FONTES DE TENSÃO, AR COMPRIMIDO OU PEÇAS MÓVEIS. PODEM OCORRER FERIMENTOS PESSOAIS. ANTES DE DESEMPENHAR QUALQUER MANUTENÇÃO OU REPARAÇÃO, DESLIGUE O COMPRESSOR E PURGUE TODA A PRESSÃO DE AR.

Para garantir um funcionamento eficaz e uma vida útil mais longa do compressor pneumático, deve preparar e seguir um programa de manutenção de rotina. O seguinte programa de manutenção de rotina destina-se a uma unidade num ambiente de trabalho normal e a funcionar diariamente. Se necessário, o programa deve ser modificado para se adequar às condições nas quais o compressor é utilizado. As modificações dependem das horas de funcionamento e do ambiente de trabalho. Os compressores num ambiente extremamente sujo e/ou hostil, requerem uma maior frequência de todas as verificações de manutenção.

PROGRAMA DE MANUTENÇÃO DE ROTINA

1. Escoe a água do depósito de ar, todos os separadores ou transformadores de humidade.
2. Inspeccione por ruídos e/ou vibrações anormais.
3. Verifique manualmente todas as válvulas de segurança para garantir que funcionam correctamente.

⚠ AVISO: Risco de explosão.

Verifique a válvula de segurança. Se a válvula de segurança não funcionar correctamente durante a pressurização do depósito do ar, pode provocar uma ruptura ou explosão, provocando ferimentos e danos materiais.

4. Verifique o filtro de ar e, se necessário, substitua.
5. Inspeccione as linhas de ar e os encaixes por fugas; repare conforme necessário.

Cada ano de funcionamento ou se suspeitar de um problema:

- Verifique o estado da entrada da bomba do compressor pneumático e as válvulas de descarga.
- Verifique o estado da válvula de regulação.
Substitua se estiver danificada ou gasta.

6. Mantenha todos os parafusos e tampas bem instalados. Verifique o seu estado periodicamente.

⚠ AVISO:
Mantenha todos os parafusos, pernos e tampas apertados correctamente. Se as chapas ou tampas dos parafusos ficarem soltos, poderão ocorrer ferimentos pessoais ou danos materiais.

1) RESOLUÇÃO DE PROBLEMAS

PROBLEMA	CAUSA	CORRECÇÃO
Ausência de arranque	Fusível fundido ou disparo do disjuntor; Ligações eléctricas soltas; Cabo de extensão incorrecto; Sobreaquecimento do motor	Verifique a causa e proceda à substituição ou reposição; Verifique as ligações eléctricas, máx. 15 m/50 pés, mín. 14 ga; Utilize o botão de reposição/espera para proceder à reposição automática
Baixa pressão	Fuga de ar na válvula de segurança Filtro de ar limitado Válvula de retenção com defeito	Verificar a válvula manualmente: puxar a secção dos anéis. Se o estado se mantiver, substitua a válvula; Limpe ou substitua o filtro de ar; Substitua a válvula de retenção.
Libertação da válvula de segurança	Interruptor de pressão com defeito ou ajuste incorrecto	Verifique se o ajuste é o correcto e, se o problema se mantiver, substitua o interruptor de pressão

2) AVISO!

Se a máquina for transportada e levantada incorrectamente, esta pode sofrer danos.

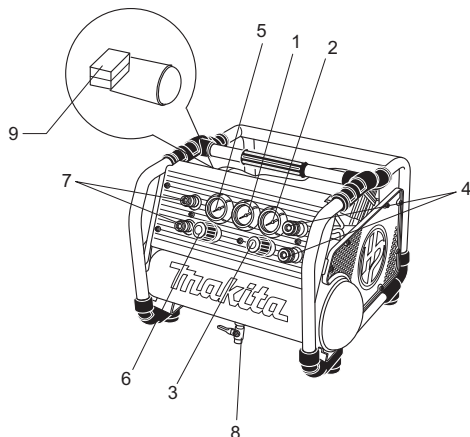
Manutenção diária

1. Antes de cada utilização:
 - A Certifique-se de que todas as porcas e parafusos estão apertados.
 - B Verifique se existem ruídos ou vibrações invulgares.
2. Após cada utilização:

Libertar todo o ar no depósito de armazenamento de ar. Abrir o bujão de drenagem na parte inferior do depósito de armazenamento de ar para drenar a condensação do depósito.
3. Manutenção semanal:
 - A Verifique o desempenho da válvula de segurança.
 - B Verifique se o interruptor de pressão está configurado para a pressão nominal de 2,8 Mpa.
 - C Limpe o filtro de ar.
4. Manutenção mensal:
 - A Inspeccione o sistema de ar relativamente a fugas, aplicando água com sabão em todas as juntas. Aperte as juntas em que se observem fugas.
 - B Verifique se todas as porcas e parafusos se mantêm apertados.
 - C Substitua o filtro de ar por um novo.
 - D Limpe a superfície do compressor de ar.
5. Manutenção trimestral:
 - A Verifique se o cilindro e o pistão apresentam desgaste.

Forklaring til generel oversigt

1. Lufttankens trykmåler
2. Reguleret trykmåler "HP"
3. Luftregulator "HP"
4. Hurtigtilkoblinger "HP" (Luftudgang)
5. Reguleret trykmåler "RP"
6. Luftregulator "RP"
7. Hurtigtilkobling "RP" (Luftudgang)
8. Aftapningsventil
9. Trykkontakt



SPECIFIKATIONER

Model	AC310H
Maksimal indgangseffekt	1800 W
SCFM @ 40 PSIG (L/min @ 2,8 bar)	3,7 (106 L)
SCFM @ 90 PSIG (L/min @ 6,2 bar)	3,6 (101 L)
SCFM @ 300 PSIG (L/min @ 21 bar)	2,7 (77 L)
Tilkoblingstryk	2,3 MPa (23 bar)
Udkoblingstryk	2,8 MPa (28 bar)
Boring x slaglængde x antal	62 mm x 31 mm x 1,45 mm x 10 mm x 1
Spænding -enkeltfase	220 - 240 V AC
Hz	50 Hz
Motoromdrejninger	1420 min ⁻¹
Smøring	Oliefri
Tankstørrelse	6,2 L
Vægt	36 kg
Størrelse (L x H x B)	476 x 375 x 507 mm
Maksimalt udgangstryk "HP" (Kun til højtryks pneumatisk brug)	2,6 MPa (26 bar)
Maksimalt udgangstryk "RP" (Kun til normaltryks pneumatisk brug)	0,9 MPa (9 bar)
Støj	L _{WA} 90 dB

- På grund af vores løbende forsknings- og udviklingsprogram kan specifikationerne heri ændres uden forudgående varsel.
- Bemærk: Specifikationerne kan variere fra land til land.

Minimumskrav til kredsløb: 7 ampere

* Det anbefales at benytte en afbryder. Benyt kun en sikring eller en afbryder der har den samme klassificering, som det kredsløb luftkompressoren anvendes på. Hvis luftkompressoren er sluttet til et kredsløb, der er beskyttet med sikringer, skal der anvendes tidsforsinkede sikringer.

VIGTIGT

Læs sikkerhedsforskrifterne og ALLE instruktionerne grundigt igennem inden anvendelse.

Symboler

Her vises de symboler, der benyttes til udstyret. Vær sikker på, at du forstår deres betydning, før du bruger værktøjet.



..... Læs brugsanvisningen.



..... Risiko for elektrisk stød.
Forsigtig: Inden du foretager arbejde på kompressoren, skal den kobles fra strømforsyningen.



..... Risiko for høje temperaturer.
Forsigtig: Kompressoren indeholder dele, der kan opnå høje temperaturer.



..... Risiko for utilsigtet opstart.
Bemærk, at kompressoren kan starte automatisk op i tilfælde af strømsvigt og efterfølgende nulstilling.



..... Bær beskyttelsesbriller.



..... Kun for EU-lande
Elværktøj må ikke bortskaffes som almindeligt affald!
I henhold til det europæiske direktiv 2002/96/EF om bortskaffelse af elektriske og elektroniske produkter og gældende national lovgivning skal brugt elværktøj indsamles separat og returneres til miljøgodkendt genindvinding.

VIGTIGE SIKKERHEDSINSTRUKTIONER

⚠ ADVARSEL

LÆS OG FORSTÅ ALLE INSTRUKTIONER

Hvis du ikke følger alle instruktionerne nedenfor, kan det medføre elektrisk stød, brand og/eller alvorlig personskade.



GEM DISSE INSTRUKTIONER.

ARBEJDSOMRÅDE

1. Hold arbejdsområdet rent og ordentligt oplyst. Rodede og mørke områder inviterer til ulykker.
2. Betjen ikke el-værktøj i eksplosive atmosfærer, for eksempel ved tilstedeværelse af brændbare væsker, gasser eller støv. El-værktøjer fremkalder gnister, der kan antænde støv eller dampe.
3. Hold folk i nærheden, børn og besøgende på afstand under betjeningen af et el-værktøj.

Distractioner kan medføre, at du mister kontrollen med el-værktøjet. Beskyt andre i arbejdsområdet mod fx spåner og gnister. Sørg for at anvende afspærringer eller skærme efter behov. Børn må aldrig komme ind i arbejdsområdet.

4. Den passende rumtemperatur er +5°C til +30°C. (maksimalt 0°C til + 40°C)

⚠ ADVARSEL
FORKERT BRUG ELLER VEDLIGEHOLDELSE AF DETTE PRODUKT KAN RESULTERE I ALVORLIGE PERSONSKADER OG MATERIELLE SKADER. LÆS OG FORSTÅ ALLE ADVARSLER OG BETJENINGSINSTRUKTIONER INDEN BRUG AF UDSITYRET.

⚠ ADVARSEL

Risiko ved risikabel anvendelse

HVAD DER KAN SKE

Risikabel anvendelse af luftkompressoren kan påføre dig og andre alvorlige personskader.

SÅDAN FOREBYGGER DU DET

- Gennemlæs og forstå alle instruktioner og advarsler i denne manual.
- Gør dig bekendt med betjeningen og knapperne på luftkompressoren.
- Hold arbejdsområdet fri for andre personer, kæledyr med videre.
- Hold altid børn væk fra luftkompressoren.
- Anvend ikke produktet, når du er træt eller under påvirkning af alkohol eller medicin. Vær altid opmærksom.
- Omgå aldrig produktets sikkerhedsfunktioner.
- Placer en brandslukker i arbejdsområdet.
- Anvend ikke maskinen hvis den mangler dele, med dele der er i stykker eller med uautoriserede dele.

⚠ ADVARSEL

Risiko for brud på lufttank



HVAD DER KAN SKE

Følgende omstændigheder kan medføre en svækkelse af tanken og RESULTERE I EN VOLD SOM TANKEKSPLOSION, DER KAN PÅFØRE DIG OG ANDRE ALVORLIGE PERSONSKADER.

- Utilstrækkelig afledning af kondenseret vand fra tanken kan forårsage rust og fortynding af tankens væg.
- Ændringer og reparationsforsøg på tanken.
- Uautoriserede ændringer af trykkontakten, sikkerhedsventilen eller andre komponenter, der styrer tanktrykket.

SÅDAN FOREBYGGER DU DET

- Tøm dagligt lufttanken for vand eller hver gang efter brug. Hvis tanken begynder at lægge, skal du straks udskifte den med en ny tank eller udskifte hele kompressoren.
- Lufttanken svækkes, hvis du borer i den, svejser eller på anden måde modificerer den. Tanken kan bryde sammen eller eksplodere. Udskift med en ny lufttank.
- Følg udstyrsproducentens anbefaling og overstig aldrig den maksimalt tilladte trykangivelse på det tilsluttede

udstyr. Anvend aldrig kompressoren til at komme luft i mindre emner med lavt tryk som fx børnelegetøj, fodbolde, basketball's osv.

ADVARSEL



Risiko for brud på tilsluttet udstyr og tilbehør

HVAD DER KAN SKE

Overskridelse af trykangivelsen på luftværktøjer, sprøjtepisoler, luftbetjent tilbehør, dæk OG andre ting, der kan pumpes op, kan få dem til at eksplodere eller splittes ad, og det kan eventuelt medføre alvorlige personskader på dig og andre.

ADVARSEL



Risiko for elektrisk stød

HVAD DER KAN SKE

- Luftkompressoren drives ved hjælp af elektricitet. Ligesom andre el-drevne apparater kan den afgive elektrisk stød, hvis den ikke anvendes korrekt.
- Elektrisk jording: Hvis produktet ikke er ordentligt jordet, forøges risikoen for elektrisk stød.

SÅDAN FOREBYGGER DU DET

- Al elektrisk ledningsføring og reparationer foretaget på produktet, skal udføres af kvalificeret servicepersonel eller en autoriseret elektriker i henhold til nationale og lokale el-bestemmelser.
- Sørg for, at det elektriske kredsløb som kompressoren er sluttet til, yder korrekt elektrisk jording, korrekt strømspænding og tilstrækkelig sikringsbeskyttelse.
- Betjen aldrig kompressoren udendørs når det regner eller i våde omgivelser.
- Betjen aldrig kompressoren med beskadigede eller aftagne afskærmninger eller dæksler.

ADVARSEL



Risiko for eksplosion eller brand

HVAD DER KAN SKE

Det er normalt, at der afgives gnister fra elektriske kontakter inden i motoren og trykkontakten, når kompressoren starter og stopper. Betjen aldrig kompressoren i en atmosfære med letantændelige dampe. Det kan medføre alvorlige personskader på dig og andre.

SÅDAN FOREBYGGER DU DET

- Betjen altid kompressoren på et godt ventileret sted, fri for dampe fra benzin eller opløsningsmidler.
- Hvis du sprøjter med letantændelige materialer, skal du placere kompressoren mindst 6,1 m væk fra sprøjteområdet.
- Opbevar letantændelige materialer på et sikkert sted væk fra kompressoren.

ADVARSEL



Risiko ved indånding

HVAD DER KAN SKE

- Trykluffen fra kompressoren skal ikke indåndes. Luftstrømmen kan indeholde kuliite eller andre dampe, partikler fra tanken eller andre komponenter.
- Sprøjtematerialer som fx maling, opløsningsmidler til maling, insektmidler, ukrudsdræbere osv. indeholder skadelige dampe og gifte.
- Indånding af dampe fra kompressoren eller sprøjtematerialer kan medføre alvorlige personskader.

SÅDAN FOREBYGGER DU DET

- Indånd aldrig luft fra kompressoren, hverken direkte eller via vejtrækningsudstyr tilsluttet kompressoren. Udfør arbejde i ordentligt krydsventilerede omgivelser.
- Læs og efterføj sikkerhedsinstruktionerne på mærkatene eller sikkerhedsdataarket for det materiale du sprøjter med. Anvend et godkendt åndedrætsværn der er designet til din specifikke brug.

ADVARSEL

Risiko for støj



Risiko fra trykluff



HVAD DER KAN SKE

Trykluffen kan forårsage skader på blødt væv, og den kan blæse snavs, løse partikler og mindre genstande af sted med høj fart, hvilket kan medføre materielle skader og personskader.

SÅDAN FOREBYGGER DU DET

- Bær altid godkendte beskyttelsesbriller med sideafskærmning, når du anvender eller vedligeholder kompressoren.
- Ret aldrig dysen eller sprøjten mod en kropsdel eller mod andre mennesker eller dyr.
- Sluk altid for kompressoren og luk trykket ud gennem luftslangen inden der foretages vedligeholdelse, eller monteres værktøj eller tilbehør.

ADVARSEL



Risiko fra bevægelige dele

HVAD DER KAN SKE

Kompressoren starter og slukker automatisk, når trykkontakten er slået til/på auto-position. Hvis du foretager reparation eller vedligeholdelse, mens kompressoren er aktiveret eller tilsluttet strømforsyningen, er du inden for rækkevidde af de bevægelige dele. De bevægelige dele kan forårsage alvorlige personskader.

SÅDAN FOREBYGGER DU DET

- Frakobl altid kompressoren fra strømforsyningen og udlign lufttrykket i tanken og i eventuelt monteret udstyr, inden du foretager vedligeholdelse eller reparation.

- Betjen aldrig kompressoren med beskadigede eller aftagne afskærmninger eller dæksler.
- Hold hår, tøj og handsker væk fra de bevægelige dele. Løst tøj, smykker eller langt hår kan komme i klemme i de bevægelige dele.
- Aftærksrør kan dække over bevægelige dele og bør også undgås.

ADVARSEL



Risiko for forbrændinger

ADVARSEL

Anvend ikke den transportable kompressor med åbne døre eller afskærmninger!



ADVARSEL

Undlad at åbne for hanen før luftslangen er monteret!



HVAD DER KAN SKE

Kommer du i kontakt med varme dele som fx kompressorhovedet eller udgangsørerne, kan det medføre alvorlige hudforbrændinger.

SÅDAN FOREBYGGER DU DET

- Rør aldrig ved varme komponenter under eller umiddelbart efter anvendelse af kompressoren. Ræk ikke rundt om varmeskærme og forsøg ikke at udføre vedligeholdelse før apparatet er kølet af.
- Håndtering og løft: Hold kun i håndtaget, når du flytter eller transporterer kompressoren.
- For at undgå skader skal du ikke røre ved cylinderen, cylinderhovedet eller luftudgangsslangen eller andre overophedede dele, når kompressoren er i brug, eller den er slukket inden for en time.

ADVARSEL

Transport

- Den maksimale hældning, når maskinen trækkes, er mindst 30°.
- Anvend ikke køretøjer til at trække maskinen.
- Placer ikke kompressoren under brandfarlige, eksplosive eller tærende forhold.

ORDLISTE

CFM: Kubikfod pr. minut.

SCFM: Standard kubikfod pr. minut er en enhed til måling af luftstrøm.

PSIG: Pund pr. kvadrattomme ved havets overflade er en enhed til måling af tryk.

TILKOBLINGSTRYK: Når motoren er slukket, falder lufttrykket i tanken, efterhånden som du benytter dit tilbehør eller luftværktøj. Når lufttrykket i tanken falder til et bestemt niveau og motoren automatisk starter igen, kaldes det "tilkoblingstrykket".

UDKOBLINGSTRYK: Når du tænder luftkompressoren, starter den med at køre, og lufttrykket i tanken stiger. Trykket stiger til et bestemt niveau, før motoren automatisk slår fra, for at beskytte din lufttank mod højere

tryk, end den er beregnet til. Det tryk, hvor motoren slår fra, kaldes for "udkoblingstrykket".

DRIFTSCYKLUS

Der anbefales for alle Makitaproducerede luftkompressorer, at driftscyklussen holdes på 50% eller under. Det betyder, at en luftkompressor der pumper luft i mere end 50% tiden pr. time, anses for at være misbrug af udstyret, fordi luftkompressoren er for lille til at udføre det pågældende arbejde.

GENEREL INFORMATION

Denne luftkompressor er udstyret med en oliefri pumpe, der er designet til at være slidstærk uden vedligeholdelse.

Kompressoren kan anvendes med pneumatisk sømpistol eller hæftepistol med ordentlig trykangivelse. Der medfølger en trykregulator til disse formål.

ADVARSEL:

Anvend aldrig kompressoren til andre formål end sammen med en pneumatisk sømpistol eller hæftepistol med ordentlig trykangivelse. Anvendelse af kompressoren til andre formål kan resultere i materielle skader eller personskaader.

Separate lufttransformere, der kombinerer funktionerne af luftregulering og/eller fugt og snavsjernelse, bør anvendes, hvor det er passende.

INSPEKTION VED MODTAGELSE

SKADER: Hver luftkompressor testes og kontrolleres omhyggeligt inden afsending. Der kan opstå skader pga. forkert håndtering under forsendelsen, hvilket kan give problemer med funktionen af kompressoren.

Kontroller straks udstyret ved modtagelsen for både synlige og skjulte skader, for at undgå de udgifter der er forbundet med at reparere sådanne problemer. Dette bør udføres uanset, om der er synlige tegn på skader på transportemballagen. Hvis dette produkt blev sendt direkte til dig, skal du straks rapportere eventuelle skader til transportøren og få varen inspiceret øjeblikkeligt.

OPBEVARING

Inden du opbevarer luftkompressoren, skal du foretage følgende:

1. Læs afsnittene "Vedligeholdelse" og "Betjeningsprocedurer" igennem og udfør den nødvendige vedligeholdelse. Sørg for at dræne vandet ud af lufttanken.
2. Sikr den elektriske ledning og luftslange mod skader (som fx mod at blive trådt på eller kørt over). Opbevar luftkompressoren på et rent og tørt sted.

FUNKTIONSBESKRIVELSE

AFTAPNINGSVENTIL: Aftapningsventilen er placeret i bunden af tanken og bruges til at dræne kondenseret vand ud til sidst, hver gang du har brugt udstyret.

VARMEAFBRYDER:

Den elektriske motor er udstyret med en varmeafbryder med manuel nulstilling. Hvis motoren af en eller anden

grund overophedes, slukker afbryderen for motoren Drej trykkontakten hen på positionen "off" og vent indtil enheden køler af, inden du trykker på nulstillingsknappen og genstarter kompressoren.

VARMEOVERBELASTNINGSSIKRING AF MOTOR:

Når motorens nominelle strømstyrke overstiges, slår varmesikringen automatisk motoren fra. Motoren skal have lov til at køle ned, inden den startes igen. Kompressoren starter automatisk igen efter motoren.

TIL/AUTO - FRA-KONTAKT:

Drej denne kontakt over på "on" for automatisk at give strøm til trykkontakten og hen på "off" for at slå strømmen fra når du er færdig med at bruge kompressoren, eller når kompressoren står uden opsyn.

LUFTINDTAGSFILTER:

Dette filter er designet til at rense den luft, der kommer ind i kompressorumpen. Dette filter skal altid holdes rent og fri for ting, der blokerer det. Se "Vedligeholdelse".

LUFTKOMPRESSORPUMPE:

Stemplet komprimerer luften ved at bevæge sig op og ned i cylinderen. Når stemplet går nedad, trækkes der luft ind gennem luftindtagsventilen. Udstødningsventilen forbliver lukket.

Luften komprimeres, når stemplet bevæger sig opad. Indtagsventilen lukker, og den komprimerede luft trykkes ud gennem udstødningsventilen, gennem udgangsøret, gennem kontraventilen og ind i lufttanken. Der er ikke luft til rådighed, før kompressoren har forøget trykket i lufttanken til et højere tryk, end det der behøves ved luftudgangen.

KONTRAVENTIL:

Når luftkompressoren kører, er kontraventilen "åben" og lader den komprimerede luft komme ind i lufttanken. Når luftkompressoren når op på "udkoblingstryk", "lukker" kontraventilen, og beholder lufttrykket inde i lufttanken.

TRYKKONTAKTENS

AFLASTNINGSVENTIL:

Trykkontaktens aflastningsventil, der er placeret på siden af trykkontakten, er designet til automatisk at frigive trykluft fra kompressorhovedet og udgangsøret, når luftkompressoren når op på "udkoblingstryk".

TRYKKONTAKT:

Trykkontakten starter automatisk motoren, når trykket i lufttanken falder til det fabriksindstillede "tilkoblingstryk". Den stopper motoren, når trykket i lufttanken når op på det fabriksindstillede "udkoblingstryk".

SIKKERHEDSVENTIL:

Hvis trykkontakten ikke slår luftkompressoren fra, når den når "udkoblingsindstillingen", beskytter sikkerhedsventilen mod højt tryk ved at slå fra ved dens fabriksindstillede tryk, der er et lidt højere tryk end trykkontaktens "udkoblingsindstilling".

UDGANGSTRYKMÅLER:

Udgangstrykmåleren angiver lufttrykket på udgangssiden af regulatoren. Dette tryk styres af regulatoren og er altid mindre end eller lig med tanktrykket. Se "Betjeningsprocedurer".

TANKTRYKMÅLER:

Tanktrykmåleren angiver lufttrykket i tanken.

REGULATOR:

Det lufttryk, der kommer fra lufttanken, kontrolleres ved hjælp af regulatorhåndtaget. Drej håndtaget med uret for at øge trykket og mod uret for at sænke trykket. For at undgå at skulle foretage mindre justeringer efter en ændring af trykindstillingen skal du altid tilnærme dig det ønskede tryk fra et lavere tryk. Når trykket sænkes fra en højere til en lavere indstilling, skal du først reducere trykket til et tryk, der er mindre end det ønskede tryk. Afhængigt af lufttrykskraverne for hvert tilbehør er det eventuelt nødvendigt at justere udgangslufttrykket under betjeningen af tilbehøret.

TRYKLUFTSUDGANG; "HP"-markering

Kun til brug for pneumatisk værktøj (højt tryk)
Maksimalt udgangstryk: 2,6 MPa (26 bar)

TRYKLUFTSUDGANG; "RP"-markering

Til brug for pneumatisk værktøj (normalt tryk)
Maksimalt udgangstryk 0,9 MPa (9 bar)

INSTALLATION OG TILKØRSELSPROCEDURER

PLACERING AF LUFTKOMPRESSOREN

Placer luftkompressoren på et rent, tørt og godt ventileret sted. Luftfilteret må ikke blokeres, da det kan reducere den luftmængde, der kommer fra luftkompressoren. Luftkompressoren bør placeres mindst 0,3 m fra væggen og andre genstande, der kan interferere med luftstrømmen. Luftkompressorens hoved og kappe er udformet til at give den rette afkøling. Hvis fugtigheden er høj, kan der monteres et luftfilter på luftudgangsadapteren for at fjerne fugt. Følg de instruktioner der kommer sammen med luftfilteret for korrekt montering. Placer luftkompressoren på en jævn overflade så den står sikkert fast på gummifødderne.

SMØRING

Denne luftkompressor er udstyret med en oliefri pumpe, der er designet til at være slidstærk uden vedligeholdelse.

Strømforsyning

Betjen kompressoren ved de strømspændinger, der er angivet på navnepladen, med et tilladt toleranceområde inden for $\pm 5\%$. Hvis kompressoren anvendes ved en højere strømspænding end den nominerede spænding, medfører det unaturligt hurtige motoromdrejninger, og det kan beskadige apparatet og få motoren til at brænde sammen.

Forlængerledninger

Brug en ekstra luftslange i stedet for en forlængerledning for at undgå spændingsfald, effekttab og overophedning af motoren. Lav strømspænding kan beskadige motoren.

Hvis det er nødvendigt at benytte en forlængerledning:

- Anvend kun en godkendt 3-trådet forlængerledning der har et 3-benet jordstik, og et modtagerstik med 3 åbninger der passer til stikket på luftkompressoren.
- Sørg for, at forlængerledningen er vedholdt.

Se venligst skemaet nedenfor angående MINIMUMSKRAVENE for forlængerledningen:

Nomineret ampereområde (220 - 240 V)	Ledningslængde i alt i meter					
	10 m 25 ft.	15 m 50 ft.	20 m 75 ft.	30 m 100 ft.	50 m 150 ft.	60 m 200 ft.
0 - 5 A	1,5 mm ²	1,5 mm ²	1,5 mm ²	2,5 mm ²	4 mm ²	4 mm ²
5,1 - 8 A	1,5 mm ²	1,5 mm ²	2,5 mm ²	4 mm ²	4 mm ²	4 mm ²
8 - 12 A	2,5 mm ²	2,5 mm ²	4 mm ²	Anbefales ikke		

Rørføring

Plast- eller PVC-rør er ikke lavet til brug med trykluft. Uanset rørets trykangivelse kan plastrør bryde i stykker på grund af lufttrykket. Anvend kun metalrør som fordelingsrør. Hvis det er nødvendigt at føre rør, skal du anvende den samme størrelse eller større end tankens luftudgang. En rørføring, der er for lille, begrænser luftstrømmen. Hvis rørføringen er længere end ca. 30 m, skal du anvende rør, der er én størrelse større. Placer rør under jorden nedenunder frostlinjen for at undgå lommer, hvor der kan dannes kondens, som kan fryse. Sæt tryk på de underjordiske rør inden de dækkes til, for at sikre at alle rørsamlinger er tætte.

Jording

⚠ ADVARSEL: Risiko for elektrisk stød! Hvis der skulle opstå en korslutning, formindskes risikoen for elektrisk stød ved hjælp af jording, eftersom den elektriske strøm har mulighed for at løbe væk. Luftkompressoren skal være ordentligt jordet.

Luftkompressoren er udstyret med ledning, der har en jordledning med et jordstik. Stikket skal placeres i en stikkontakt, der er korrekt installeret og jordet i henhold til alle lokale regler og bestemmelser. Stikkontaktens udformning skal passe til stikket. DER MÅ IKKE ANVENDES EN ADAPTER.

Kontroller stikket og ledningen hver gang inden brug. Apparatet må ikke bruges, hvis der er tegn på skader.

FARE:

Utilstrækkelig jording kan medføre elektrisk stød. Ændr ikke på det medfølgende stik. Hvis det ikke passer til stikkontakten, skal der installeres en korrekt stikkontakt af en kvalificeret elektriker.

BETJENINGSPROCEDURER

Daglig kontrolliste ved opstart

MONTERING AF SLANGER

⚠ ADVARSEL:

Risiko ved risikabel betjening. Hold godt fast i slangen under montering eller afmontering for at forhindre at slangen slår om sig.

Det kan forårsage personskader og materielle skader, hvis du mister kontrollen over slangen.

1. Inden montering af luftslange eller tilbehør skal du sørge for, at trykkontaktshåndtaget er indstillet på "OFF", og at luftregulatoren eller afbryderventilen er lukket.
2. Monter slange og tilbehør. Der er en høj risiko for brud, hvis lufttrykket er for højt. Kontroller producentens maksimale trykangivelse for luftværktøjer og tilbehør. Regulatorudgangstrykket må aldrig overstige den maksimale trykangivelse.
3. Drej trykkontaktshåndtaget hen på "ON/AUTO" og giv apparatet tid til at opbygge trykket i tanken. Motoren stopper, når trykket i tanken når "udkoblingstrykket".
4. Åben regulatoren ved at dreje den med uret. Juster regulatoren til den korrekte trykindstilling. Din kompressor er klar til brug.
5. Betjen altid luftkompressoren på ordentligt ventilerede steder, uden dampe fra benzin eller opløsningsmidler. Betjen ikke kompressoren i nærheden af sprøjteområdet.

Når du er færdig:

FRAKOBLING AF SLANGER

⚠ ADVARSEL:

Risiko ved risikabel betjening. Hold godt fast i slangen under montering eller afmontering for at forhindre at slangen slår om sig.

Det kan forårsage personskader og materielle skader, hvis du mister kontrollen over slangen.

6. Indstil trykkontaktshåndtaget på "OFF".
7. Luk trykket helt ud af tanken ved hjælp af luftværktøjet eller tilbehøret.
8. Tag luftværktøjet eller tilbehøret af.
9. Dræn vandet ud af lufttanken ved at åbne aftapningshanens ventil i bunden af tanken. DER KONDENSERES VAND INDE I LUFTTANKEN. HVIS DET IKKE DRÆNES UD, RUSTER OG SVÆKKES LUFTTANKEN, OG DER ER RISIKO FOR, AT LUFTTANKEN KAN BRYDE SAMMEN.

Bemærk:

Hvis aftapningsventilen er tilstoppet, skal du udligne alt lufttrykket. Ventilen kan derefter tages af, renses og monteres igen.

10. Når vandet er drænet af lukkes aftapningsventilen. Luftkompressoren kan nu stilles på plads.

⚠ ADVARSEL:

Tøm lufttanken ordentligt for vand. Utilstrækkelig tømnings af lufttanken kan resultere i tæring og muligvis brud på tanken. Brud på tanken kan medføre personskader og materielle skader. I de yderligere instruktioner under den oprindelige advarsel gentages der kun, hvad der er sagt under punkt 9 ovenfor. Der angives desuden ikke, at kompressoren bør slukkes.

VEDLIGEHOLDELSE

⚠ ADVARSEL:

Anvend aldrig luftkompressoren hvis den ikke fungerer normalt.

Hvis luftkompressoren synes at fungere unormalt, afgiver mærkelige lyde eller vibrationer, skal du straks stoppe brugen af den og få den repareret af et autoriseret Makita servicecenter.

⚠ ADVARSEL:

Udskift kun med ægte Makita-dele. Udskiftningsdele, der ikke er produceret af Makita, kan ugyldiggøre din garanti og medføre funktionsfejl samt resultere i personskader. Ægte Makita dele kan fås fra en autoriseret forhandler.

⚠ ADVARSEL:

APPARATET STARTER OG SLUKKER AUTOMATISK, NÅR STRØMMEN ER TÆNDT. UNDER FORETAGELSE AF VEDLIGEHOLDELSE KAN DU BLIVE UDSAT FOR SPÆNDINGSKILDER, TRYKLUFT ELLER BEVÆGELIGE DELE. DER KAN OPSTÅ PERSONSKADER. KOBL KOMPRESSOREN FRA STRØMFORSYNINGEN, INDEN DU UDFØRER VEDLIGEHOLDELSE ELLER REPARATIONER, OG LUK TRYKKET UD.

Der bør planlægges og efterfølges en vedligeholdelsesrutine for at sikre, at luftkompressoren fungerer effektivt samt for at forlænge dens levetid. Den følgende vedligeholdelsesrutine gælder for et apparat, der fungerer i et normalt arbejdsmiljø på daglig basis. Hvis det er nødvendigt, skal rutinen ændres, sådan at den passer til de forhold, hvorunder din kompressor anvendes. Ændringerne afhænger af antallet af arbejdstimer og arbejdsmiljøet. Kompressorenheder, der anvendes i et ekstremt beskidt og/eller fjendsk miljø, kræver at alle vedligeholdelseskontroller foretages oftere.

VEDLIGEHOLDELSERUTINE

1. Aftap vand fra lufttanken, samt eventuel fugt fra separatorer og transformere.
2. Kontroller for unormale lyde og/eller vibrationer.
3. Kontroller manuelt alle sikkerhedsventiler for at sikre, at de fungerer ordentligt.

⚠ ADVARSEL: Risiko for brud på tanken.

Kontroller sikkerhedsventilen. Hvis sikkerhedsventilen ikke fungerer ordentligt under trykbygning i lufttanken, kan det resultere i, at tanken bryder sammen eller eksploderer, hvilket kan forårsage personskader eller materielle skader.

4. Inspicer luftfilteret og udskift det om nødvendigt.
5. Inspicer alle lufttrør og samlinger for lækager og reparer om nødvendigt. Hvert anvendelsesår eller hvis der formodes at være et problem:
 - Kontroller tilstanden af luftkompressorpumpe indgangs- og udgangsventiler.
 - Kontroller tilstanden af kontraventilen. Udskift den hvis den er beskadiget eller udslidt.
6. Sørg for, at alle skruer, bolt og dæksler er monteret ordentligt. Kontroller dem med jævne mellemrum.

⚠ ADVARSEL:

Sørg for, at alle skruer, bolte og dæksler er ordentligt skruet fast. Hvis skrueplader eller dæksler går løs, kan det medføre personskader eller materielle skader.

1) FEJLFINDING

PROBLEM	ÅRSAG	AFHJÆLPNING
Vil ikke starte	Sikringen er sprunget, eller afbryderen er udløst; Løse elektriske forbindelser; Forkert forlængerledning; Overophedet motor	Kontroller årsagen og udskift eller nulstil; kontroller ledningstilslutningerne maks. 15 m, min. 14 ga; brug nulstillingsknappen/vent på automatisk nulstilling
Lavt tryk	Luftlækage i sikkerhedsventilen Indsnævret luftfilter Defekt kontraventil	Kontroller ventilen manuelt: træk op i låsen på ringene. Hvis situationen ikke ændres, udskift ventilen; Rens eller udskift filter; Udskift kontraventilen.
Udløsning af sikkerhedsventil	Defekt trykkontakt eller forkert justering	Kontroller for rigtig justering, og hvis problemet vedbliver, udskiftes trykkontakten

2) ADVARSEL!

Transporteres eller løftes maskinen forkert, beskadiges maskinen.

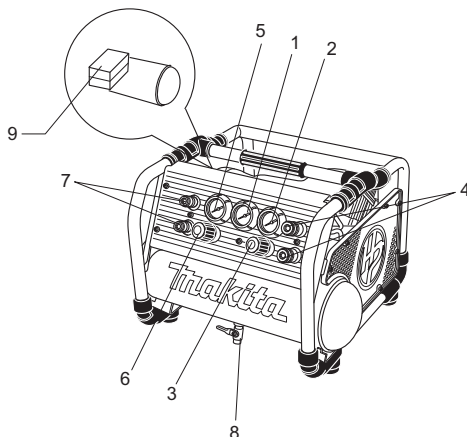
Daglig vedligeholdelse

1. Hver gang inden brug:
 - A Sørg for at alle møtrikker og bolte er spændte.
 - B Kontroller for unormal støj og vibration.
2. Hver gang efter brug:

Luk al luften ud af lufttanken. Åbn aftapningshanen i bunden af lufttanken for at tømme tanken for kondensvand.
3. Ugentlig vedligeholdelse:
 - A Kontroller funktionen af sikkerhedsventilen.
 - B Kontroller, at luftkontakten er normeret til et tryk på 2,8 Mpa.
 - C Rens luftfilteret.
4. Månedlig vedligeholdelse:
 - A Eftersø luftsystemet for lækage vha. sæbevand på alle samlingerne. Efterspænd de samlinger hvor der observeres lækage.
 - B Kontroller, at alle møtrikker og bolte forbliver spændte.
 - C Udskift luftfilteret med et nyt.
 - D Rengør luftkompressorens overflade.
5. Kvartalsvis vedligeholdelse:
 - A Kontroller cylinderen og stemplet for slidtage.

Förklaring till översiktsbilder

1. Lufttankens tryckmätare
2. Ställbar tryckmätare "HP"
3. Luftregulator "HP"
4. Snabbkopplingar "HP" (Luftutblås)
5. Ställbar tryckmätare "RP"
6. Luftregulator "RP"
7. Snabbkoppling "RP" (Luftutblås)
8. Dräneringsventil
9. Tryckvakt



SPECIFIKATIONER

Modell	AC310H
Max ineffekt	1800 W
SCFM @ 40 PSIG (L/min @ 2,8 bar)	3,7 (106 L)
SCFM @ 90 PSIG (L/min @ 6,2 bar)	3,6 (101 L)
SCFM @ 300 PSIG (L/min @ 21 bar)	2,7 (77 L)
Starttryck	2,3 MPa (23 bar)
Stopptryck	2,8 MPa (28 bar)
Cylinderdiameter x slaglängd x antal	62 mm x 31 mm x 1,45 mm x 10 mm x 1
Spänning - 1-fas	220 - 240 V AC
Hz	50 Hz
Motor RPM	1 420 min ⁻¹
Smörjning	Oljefri
Tankstorlek	1,6 gal (6,2 L)
Vikt	36 kg (79,4 lb)
Mått (L x H x B)	18-3/4" x 14-3/4" x 20" (476 x 375 x 507 mm)
Maximalt utgående tryck "HP" (endast för användning med högtrycksluft)	2,6 MPa (26 bar)
Maximalt utgående tryck "RP" (endast för användning med normal tryckluft)	0,9 MPa (9 bar)
Buller	LWA 90 dB

- På grund av vårt pågående program för forskning och utveckling kan dessa specifikationer ändras utan föregående meddelande.
- Obs! Specifikationerna kan variera mellan olika länder.

Minimumkrav för strömkrets: 7 AMPS

* Ett relä är att föredra. Använd endast en säkring eller ett relä som har samma märkning som den förgreningskrets som luftkompressorn använder sig av. Använd tröga säkringar om luftkompressorn ansluts till en strömkrets som skyddas av säkringar.

VIKTIGT

Läs noga igenom säkerhetsriktlinjerna och ALLA instruktioner före användning.

Symboler

Följande symboler används för utrustningen. Se till att du förstår innebörden av dem innan du använder maskinen.



..... Läs bruksanvisningen.



..... Risk för elektrisk stöt. Försiktighet! Innan något arbete utförs på kompressorn måste nätkontaktarna vara utdragna ur eluttaget.



..... Risk för höga temperaturer. Försiktighet! Kompressorn innehåller delar som kan nå höga temperaturer.



..... Risk för oavsiktlig start. Observera! Kompressorn kan starta automatiskt i händelse av strömavbrott med efterföljande återställning.



..... Använd skyddsglasögon.



..... Gäller endast EU-länder. Elektrisk utrustning får inte kastas i hushållssoporna! Enligt direktivet 2002/96/EG som avser äldre elektrisk och elektronisk utrustning och dess tillämpning enligt nationell lagstiftning ska utjänt elektriskt utrustning sorteras separat och lämnas till miljövänlig återvinning.

VIKTIGA SÄKERHETSANVISNINGAR

⚠ VARNING!

LÄS IGENOM OCH FÖRSTÅ ALLA INSTRUKTIONER

Om inte alla instruktioner i listade nedan efterföljs kan det leda till elektrisk stöt, brand och/eller allvarlig skada.



SPARA DESSA INSTRUKTIONER.

ARBETSOMRÅDE

1. Håll arbetsområdet väl rengjord och upplyst. Nedskräpade eller dåligt upplysta områden utgör en olycksrisk.
2. Använd inte maskinen i explosiva områden, som till exempel i närheten av lättantändliga vätskor, gaser eller damm. Maskinen skapar gnistor som kan antända dammet eller ångorna.

3. Håll åskådare, barn och besökare på avstånd när du använder maskinen. Okoncentration kan innebära att du förlorar kontrollen över maskinen. Skydda andra i arbetsområdet från flisor och gnistor. Sätt upp barriärer eller skydd efter behov. Barn ska aldrig få tillträde till arbetsområdet.
4. Den lämpliga rumstemperaturen är +5°C till +30°C. (0°C till maximalt + 40°C)

⚠ VARNING!

FELAKTIG ANVÄNDNING ELLER FELAKTIGT UNDERHÅLL AV DENNA PRODUKT KAN LEDA TILL ALLVARLIG PERSON- OCH EGENDOMSSKADA. LÄS NOGA IGENOM ALLA VARNING- OCH ANVÄNDARANVISNINGAR SÅ ATT DU FÖRSTÅR DESS INNEBÖRD INNAN DU ANVÄNDER DENNA UTRUSTNING.

⚠ VARNING!

Risk för farlig användning

DETTA KAN HÄNDA

Farlig användning av luftkompressorn kan leda till allvarlig personskada.

HUR DET KAN FÖREBYGGAS

- Gå igenom alla anvisningar och varningar i denna bruksanvisning på nytt och se till att du förstår dem.
- Bli förtrogen med hur luftkompressorn används och hur kontrollerarna fungerar.
- Håll arbetsområdet fritt från personer, djur och hinder.
- Barn ska alltid hållas borta från luftkompressorn.
- Använd inte produkten när du är trött eller under påverkan av alkohol eller droger. Var på alerten hela tiden.
- Bortse aldrig från denna produkts säkerhetsfunktioner.
- Utrusta arbetsområdet med en brandsläckare.
- Använd inte maskinen om delar saknas, är trasiga eller inte är godkända.

⚠ VARNING!

Risk för att lufttanken exploderar



DETTA KAN HÄNDA

Följande förhållanden kan leda till en försvagning av tanken och RESULTERA I EN VÅLDSAM TANKEXPLOSION, VILKET KAN LEDA TILL ALLVARLIG PERSONSKADA:

- Att inte tömma tanken ordentligt på kondenserat vatten, vilket leder till rost och försvagning av tankens väggar.
- Att modifiera eller försöka att reparera tanken.
- Att otillåtet modifiera tryckvakten, säkerhetsventilen eller någon annan komponent som kontrollerar tanktrycket.

HUR DET KAN FÖREBYGGAS

- Töm lufttanken dagligen eller efter varje användning. Om det uppstår en läcka på lufttanken ska den genast bytas ut mot en ny tank, eller så ska hela kompressorn bytas ut.

- Borra inte i eller svetsa tanken eller på annat sätt modifiera den så att den försvagas. Tanken kan spricka eller explodera. Byt ut den mot en ny lufttank.
- Följ tillverkarens rekommendationer för utrustningen och överstig aldrig den maximala tillåtna tryckgränsen för tillbehör. Använd aldrig kompressorn till att blåsa upp små föremål med lågt tryck såsom barnleksaker, fotbollar, basketbollar etc.

VARNING!



Risk för att anslutningar och tillbehör exploderar

DETTA KAN HÄNDA

Att överskrida tryckgränsen för luftmaskiner, sprutpistoler, luftmanövrerade tillbehör, däck OCH annat uppblåsbart kan göra att de exploderar eller flyger i bitar, vilket kan leda till allvarlig personskada.

VARNING!



Risk för elektrisk stöt

DETTA KAN HÄNDA

- Luftkompressorn fungerar med elektricitet. Liksom vilken annan elförsörjd enheter kan ovarsam användning leda till elektrisk stöt.
- Elektrisk jordning: om inte denna produkt jordas korrekt ökar det risken för elektrisk stöt.

HUR DET KAN FÖREBYGGAS

- Elkopplingar eller reparationer av något slag som utförs på denna produkt ska göras av en utbildad serviceperson eller en auktoriserad elektriker, i enlighet med nationella och lokala elföreskrifter.
- Försäkra dig om att den elektriska kretsen till vilken kompressorn är ansluten till, har korrekt elektrisk jordning, spänning och adekvat säkringsskydd.
- Använd aldrig kompressorn utomhus när det regnar eller på en blöt plats.
- Använd aldrig kompressorn om skydden eller locken är skadade eller borttagna.

VARNING!



Risk för explosion eller brand

DETTA KAN HÄNDA

Det är normalt för elektriska kontakter i motorn och tryckvakten att gnista när kompressorn startar eller stoppar. Använd aldrig kompressorn i en miljö där det finns lättantändliga ångor. Att göra det kan leda till allvarlig personskada.

HUR DET KAN FÖREBYGGAS

- Använd alltid kompressorn i en väl ventilerad miljö, fri från bensin- eller lösningsångor.
- Vid sprejning med lättantändliga material ska kompressorn placeras minst 6,1 meter därifrån.
- Förvara lättantändligt material på en säker plats, långt bort från kompressorn.

VARNING!



Risk för inandning

DETTA KAN HÄNDA

- Den komprimerade luften från din kompressorn är inte säker att andas in. Luftströmmen kan innehålla koloxid eller andra ångor, eller partiklar från tanken eller andra komponenter.
- Sprejat material såsom färg, färglösningsmedel, färgbortagningsmedel, insektsdödande medel, ogräsgift etc, innehåller skadliga ångor och gifter.
- Inandning av ångor från kompressorn eller sprejat material kan leda till allvarlig skada.

HUR DET KAN FÖREBYGGAS

- Andas aldrig in luft från kompressorn, inte direkt eller från en inandningsenhet ansluten till kompressorn. Arbeta i en miljö med bra genomventilation.
- Läs igenom och följ medföljande säkerhetsanvisningar på etiketten eller i säkerhetsdatablad för det material som du sprejar. Använd en godkänd gasmask som är konstruerad för användning med din specifika maskin.

VARNING!

Bullerrisk



Risk med komprimerad luft

DETTA KAN HÄNDA

Den komprimerade luftströmmen kan orsaka skada på mjukvävnad och kan skjuta smuts, flisor, lösa partiklar och små objekt med hög hastighet, vilket kan leda till egendom- eller personskada.

HUR DET KAN FÖREBYGGAS

- Använd alltid godkända skyddsglasögon med sidoskydd vid användning eller underhåll av kompressorn.
- Rikta aldrig munstycke eller sprejande del mot någon del av kroppen eller mot någon person eller djur.
- Stäng alltid av kompressorn och släpp ut trycket från luftsystemet innan du utför någon form av underhåll, ansluter verktyg eller tillbehör.

VARNING!



Risk med rörliga delar

DETTA KAN HÄNDA

När tryckvakten är i läget on/auto, startar kompressorns cykel automatiskt. Om du försöker att utföra reparation eller underhåll medan kompressorn är i drift eller är ansluten till elnätet, kan rörliga delar utgöra en risk för dig. De kan orsaka allvarlig skada.

HUR DET KAN FÖREBYGGAS

- Dra alltid ut kompressorns nätsladd ur elnätet och släpp ut lufttryck från tanken och från anslutningar, innan du försöker utföra någon form av underhåll eller reparation.

- Använd aldrig kompressorn om skydden eller locken är skadade eller borttagna.
- Håll bort ditt hår, dina kläder och handskar från rörliga delar. Löst sittande kläder, smycken eller långt hår kan fastna i de rörliga delarna.
- Luftventiler kan täcka rörliga delar och ska också undvikas.

⚠ VARNING!



Brännskaderisk

⚠ VARNING!

Använd inte den portabla kompressorn med öppna dörrar eller öppen huv.



⚠ VARNING!

Öppna inte ventilen innan luftslangen är ansluten!



DETTA KAN HÄNDA

Kontakt med heta delar såsom kompressorhuvud eller utblåsror kan resultera i allvarlig brännkada.

HUR DET KAN FÖREBYGGAS

- Ta aldrig i heta komponenter under eller direkt efter användning av kompressorn. Sträck dig inte runt skyddshöjen eller försök att utföra underhåll förrän enheten har svalnat.
- Hantering och lyft: håll endast i handtaget när kompressorn ska flyttas eller transporteras.
- För att undvika skada ska inte cylindern, topplocket och utblåsslansen eller andra överhettade delar vidröras när kompressorn används eller en timma efter att den stängts av.

⚠ VARNING!

Transport

- a Den maximala vinkeln under transport får vara 30°.
- b Placera den inte på något transportfordon.
- c Placera inte kompressorn så att den antänds, exploderar eller eroderar.

ORDLISTA

CFM: Kubikfot per minut.

SCFM: Standardkubikfot per minut. En måttenhet för luftflödet.

PSIG: Pund per kvadrattum. En måttenhet för tryck.

STARTTRYCK: Medan motorn är avstängd, faller trycket i lufttanken när du fortsätter att använda ditt tillbehörs- eller luftverktyg. När trycket faller till en viss nivå, startar motorn om automatiskt. Omstarten kallas för "starttryck".

STOPPTRYCK: När du slår på luftkompressorn, startar den och lufttrycket börjar att byggas upp i lufttanken. Den bygger upp till ett visst tryck innan motorn automatiskt stängs av, vilket skyddar din lufttank från tryck högre än vad den är utformad för. Trycket vid vilken motorn stängs av vid kallas "stopptryck".

ARBETSCYKEL

För alla Makitas tillverkade luftkompressorer rekommenderas att de inte arbetar mer än 50% av en arbetscykel. Detta betyder att en luftkompressor som pumpar luft mer än 50% av en timme anses vara missbruk av maskinen, eftersom luftkompressorn är underdimensionerad för den efterfrågade mängden luft.

ALLMÄN INFORMATION

Denna luftkompressor är utrustad med en oljefri pump som är konstruerad för lång hållbarhet och som är fri från underhåll.

Kompressorn kan användas för rätt avsedd pneumatisk spik- och häftpistol. En lufttrycksregulator medföljer för dessa maskiner.

⚠ VARNING!

Använd aldrig kompressorn för annan maskin än avsedd spik- eller häftpistol. Annars kan det leda till egendoms- eller personskada.

Separata lufttransformatorer vilka kombinerar funktionerna för luftreglering och/eller luftfuktighet samt smutsborttagning, ska användas där det är tillämpningsbart.

INSPEKTION VID MOTTAGANDE

SKADA: Varje luftkompressorutrustning är noggrant testad och kontrollerad före sändning. Vid oaksam hantering, kan skada uppstå vid transport och orsaka problem med kompressorns funktion.

Kontrollera omedelbart utrustningen vid ankomsten, både vad gäller dolda och synliga skador, för att undvika extra kostnader för att rätta till sådana problem. Detta ska utföras oavsett om det finns några synliga skador på transportförpackningen eller inte. Om denna produkt levererades direkt till dig, ska eventuella skador rapporteras till budet och en inspektion av godset ska utföras direkt.

FÖRVARING

Innan du förvara luftkompressorn måste följande göras:

1. Gå igenom avsnitten "Underhåll" och "Användningsprocedurer" och utför underhåll efter behov. Se till att tappa ur vatten från lufttanken.
2. Skydda elkabeln och luftslangen från skada (så att de inte trampas på eller körs över).

Förvara luftkompressorn på en ren och torr plats.

DRIFTBESKRIVNING

DRÄNERINGSVENTIL: Dräneringsventilen är placerad inunder lufttanken och används för att dränera kondenserat vatten vid slutet av varje användning.

TERMISKT RELÄ:

EI-motorn har ett manuellt återställbart termiskt relä. Om motorn överhettas av någon anledning, stänger relät av motorn. Vrid tryckvakten till läget "off" och vänta tills enheten har svalnat innan du trycker på uppstartningsknappen "reset" och startar om kompressorn.

MOTORNS ÖVERHETTNINGSSKYDD:

När motors märkström överskrids, öppnar överhettningsskyddet och stänger av motorn automatiskt. Motorn måste svalna innan omstart. Kompressorn startar automatiskt om efter motorn.

STRÖMBRYTARE FÖR "ON/AUTO" OCH "OFF":

Vrid strömbrytaren till "on" för att ge automatisk ström till tryckvakten och till "off" för att ta bort strömmen när inte kompressorn används längre eller när kompressorn lämnas utan uppsikt.

LUFTINTAGSFILTER:

Filtret renar luft som kommer in i kompressorumpen. Detta filter måste alltid hållas rent och får inte täppas igen. Se avsnittet "Underhåll".

LUFTKOMPRESSORNS PUMP:

För att komprimera luft, rör sig kolven upp och ner i cylindern. Vid neråtgående kolvslag dras luft in genom luftintagsventilen och utblåsningsventilen förblir stängd. Vid uppåtgående kolvslag, komprimeras luften. Insugningsventilen stängs och komprimerad luft tvingas ut genom utblåsningsventilen, utloppsroret, kontrollventilen och in i lufttanken. Användbar luft finns inte tillgänglig förrän kompressorn har höjt trycket i lufttanken över det som krävs vid luftutblås.

KONTROLLVENTIL:

När luftkompressorn arbetar är kontrollventilen "öppen", vilket tillåter komprimerad luft att komma in i lufttanken. När luftkompressorn når "stoptrycket", "stängs" kontrollventilen, vilket gör att lufttrycket bevaras inuti lufttanken.

TRYCKLÄTNADSVENTIL FÖR TRYCKVAKT:

Trycklätnadsventilen för tryckvakten som är placerad vid sidan av tryckvakten, är konstruerad så att den automatiskt frigöra komprimerad luft från kompressorhuvudet och utblåsröret när luftkompressorn når "stoptrycket".

TRYCKVAKT:

Tryckvakten startar automatiskt motorn när trycket i lufttanken faller till det fabriksinställda "startrycket". Den stannar motorn när trycket i lufttanken når det fabriksinställda "stoptrycket".

SÄKERHETSVENTIL:

Om tryckvakten inte stoppar luftkompressorn vid dess "inställda stoptryck", skyddar säkerhetsventilen mot högt tryck genom att slå till vid dess fabriksinställda tryck, vilket är något högre än tryckvaktens "inställda stoptryck".

TRYCKMÄTARE FÖR UTBLÅS:

Tryckmätaren för utblås indikerar det tillgängliga lufttrycket vid regulatorns utblåssida. Detta tryck kontrolleras av regulatorn och är alltid lägre eller detsamma som tanktrycket. Se avsnittet "Användningsprocedurer".

TANKTRYCKSMÄTARE:

Tanktrycksmätaren indikerar lufttrycket i tanken.

REGULATOR:

Lufttrycket som kommer från lufttanken kontrolleras genom regulatorratten. Vrid ratten medurs för att öka trycket och moturs för att minska trycket. För att undvika mindre omjusteringar efter en ändring i tryckinställningen, ska du alltid försöka att nå önskat tryck utifrån ett lägre tryck. Vid minskning från en högre till en lägre inställning ska du först minska till ett lägre tryck än det önskade trycket. Beroende på luftkraven för varje enskilt tillbehör, kanske det utloppsreglerade lufttrycket måste justeras medan du använder tillbehöret.

KOMPRIMERAT LUFTUTBLÅS, "HP"-märkt
Endast för användning med högtrycksluft-maskin
Maxtryck för utblås: 2,6 MPa (26 bar)

KOMPRIMERAT LUFTUTBLÅS, "RP"-märkt
För användning med vanlig tryckluftsmaskin
Maxtryck för utblås: 0,9 MPa (9 bar)

MONTERING OCH VIKTIGA PROCEDURER

PLACERING AV LUFTKOMPRESSORN

Placera luftkompressorn i ett rent, torrt och välventilerat område. Luftfiltret måste hållas rent annars kan lufttillförseln från luftkompressorn minska. Luftkompressorn ska placeras åtminstone 0,3 m bort från väggar eller andra hinder som kan störa luftflödet. Luftkompressorns huvud och hölje är utformade på ett sätt som tillåter riktig avkyllning. Om luftfuktigheten är hög, kan ett luftfilter monteras på luftutblåsets adapter för att ta bort överflödigt fuktighet. Följ instruktionerna som är förpackade med luftfiltret för korrekt montering. Placera luftkompressorn på ett plant underlag så att den vilar stadigt på gummifötterna.

SMÖRJNING

Denna luftkompressor är utrustad med en oljefri pump som är konstruerad för lång hållbarhet och som är fri från underhåll.

Strömförsörjning

Använd kompressorn med specificerad spänning som anges på dess namnplåt. Den tillåtna toleransskalan måste förbli inom $\pm 5\%$. Om kompressorn används med en högre spänning än märkspänningen, kommer det att leda till onormalt snabb motorvarv vilket kan skada enheten och bränna ut motorn.

Förlängningskabl

För att undvika spänningsfall, strömbortfall och överhettning av motorn, ska en extra luftslang användas istället för en förlängningskabel. Låg spänning kan orsaka skada på motorn.

Om en förlängningskabel måste användas:

- Använd endast en godkänd 3-ledad förlängningskabel som har en jordad stickkontakt med 3-stift och med ett

motsvarande uttag som passar stickkontakten på luftkompressorn.

- Kontrollera att förlängningskabeln är i gott skick.

Se tabellen nedan för MINIMUMGRÄNSEN för förlängningskablar:

Skala för märkspänning i ampere (220 - 240 V)	Fullständig längd för kabel i meter					
	10 m 25 ft.	15 m 50 ft.	20 m 75 ft.	30 m 100 ft.	50 m 150 ft.	60 m 200 ft.
0 - 5 A	1,5 mm ²	1,5 mm ²	1,5 mm ²	2,5 mm ²	4 mm ²	4 mm ²
5,1 - 8 A	1,5 mm ²	1,5 mm ²	2,5 mm ²	4 mm ²	4 mm ²	4 mm ²
8 - 12 A	2,5 mm ²	2,5 mm ²	4 mm ²	Rekommenderas inte		

Rör

Plast- eller PVC-rör är inte utformade för att användas med komprimerad luft. Oavsett dess indikerade tryckgräns, kan plaströr sprängas av lufttryck. Använd endast metallrör för luftdistribuerade leder. Om en rörledning är nödvändig, använd då rör som har samma storlek eller är större än lufttankens utblås. Rör som är för små begränsar luftflödet. Om rörlaggingen är mer än 30,48 meter (100 fot) lång, använd nästa större storlek. Lägg ner rörledningar i jorden under frostgränsen och undvik fickor där kondens kan samlas och frysa. Anlägg tryck innan rörledningar täcks över för att kontrollera att alla rör är täta.

Instruktioner för jordning

⚠ VARNING! Risk för elektrisk stöt! I händelse av en kortslutning minskar jordningen risken för stöt genom att ge elströmmen en annan väg att gå. Luftkompressorn måste vara korrekt jordad.

Luftkompressorn är utrustad med en kabel som har en jordad ledare med en lämplig jordad stickkontakt. Stickkontakten måste användas med ett uttag som har monterats och jordats i enlighet med alla lokala föreskrifter och lagar. Uttaget måste vara utformat för stickkontakten. ANVÄND INTE EN ADAPTER.

Kontrollera stickkontakten och kabeln före varje användning. Använd den inte om det finns tecken på skada.

FARA:

Felaktig jordning kan leda till elektrisk stöt. Modifiera inte den medföljande stickkontakten. Om den inte passar i det befintliga uttaget, ska ett korrekt uttag monteras av en kvalificerad elektriker.

ANVÄNDNINGSPROCEDURER

Daglig kontrollista för uppstart

MONTERING AV SLANGAR

⚠ VARNING!

Risk för farlig användning. Ta stadigt tag i slangens med handen vid montering eller demontering, för att undvika att slangens piskar.

Att förlora kontrollen över slangens kan leda till person- och egendomsskada.

1. Innan en luftslang eller något tillbehör ansluts, ska tryckvaktens reglage kontrolleras så att det är inställt

på "OFF" och att luftregulatorn eller avstängningsventilen är stängd.

2. Anslut slangens och tillbehören. För mycket lufttryck kan orsaka explosionsrisk. Kontrollera leverantörens maximala tryckgräns för lufttrycksmaskiner och tillbehör. Regulatorns utblåsttryck får aldrig överskrida den maximala tryckgränsen.
3. Vrid tryckvaktens reglage till "ON/AUTO" och låt tanktrycket byggas upp. Motorn kommer att stanna när tanktrycket når "stoptrycket".
4. Öppna regulatorn genom att vrida den medurs. Justera regulatorn till den korrekta tryckinställningen. Nu är din kompressor klar att användas.
5. Använd alltid luftkompressorn i en väl ventilerad miljö, fri från bensin- eller lösningsångor. Använd inte kompressorn i närheten av det område där sprejning utförs.

När du är klar:

AVLÄGSNA SLANGAR

⚠ VARNING!

Risk för farlig användning. Ta stadigt tag i slangens med handen vid montering eller demontering, för att undvika att slangens piskar.

Att förlora kontrollen över slangens kan leda till person- och egendomsskada.

6. Ställ in tryckvaktens reglage på "OFF".
7. Om luftmaskin eller tillbehör används, släpp ut tanktrycket ner till noll.
8. Ta bort luftmaskinen eller tillbehöret.
9. Släpp ut vatten ur lufttanken genom att öppna dräneringsventilen inunder tanken. VATTEN KONDENSERAR I LUFTTANKEN. OM INTE VATTNET SLÄPPS UT KOMMER VATTNET ATT FRÅTA OCH FÖRSVAGA LUFTTANKEN VILKET KAN ORSAKA RISK FÖR ATT LUFTTANKEN SPRICKER.

Obs!

Om dräneringsventilen har fastnat, ska allt lufttryck släppas ut. Ventilen kan tas bort, rengöras och sedan monteras på nytt.

10. Efter det att vattnet har tappats ur ska dräneringsventilen stängas. Luftkompressorn kan nu ställas undan.

⚠ VARNING!

Töm lufttanken korrekt. Inkorrekt tömning av lufttanken kan leda till anfrätning och eventuell explosion av tanken. Detta kan leda till person- och

egendomsskada. De tillagda instruktionerna i de ursprungliga varningarna repeterar endast vad som sagts under post 9 ovan. Det indikerar inte att kompressorn ska stängas av.

UNDERHÅLL

VARNING!

Använd aldrig en luftkompressor som fungerar felaktigt.

Om det verkar som om luftkompressorn inte fungerar korrekt, att den ger ifrån sig konstiga ljud eller vibrationer, ska du omedelbart sluta att använda den och ordna med reparation på ett av Makitas godkända servicecenter.

VARNING!

Använd endast Makitas originalreservdelar. Reservdelar som inte är tillverkade av Makita kan ogiltigförklara din garanti och det kan också leda till att maskinen fungerar felaktigt, vilket kan orsaka skador. Makitas originaldelar finns att tillgå från en godkänd leverantör.

VARNING!

MASKINCYKEL STARTAR AUTOMATISKT NÄR STRÖMMEN ÄR PÅSLAGEN. VID UNDERHÅLL KAN DU UTSÄTTAS FÖR SPÄNNINGSKÄLLOR, KOMPRIMERAD LUFT ELLER RÖRLIGA DELAR. PERSONSKADOR KAN UPPSTÅ. INNAN NÅGON FORM AV UNDERHÅLL ELLER REPARATION UTFÖRS, SKA KOMPRESSORNS STRÖMKONTAKT KOPPLAS UT UR VÄGGUTTAGET OCH ALLT LUFTRYCK SKA SLÄPPAS UT.

För att garantera en effektiv användning och en lång hållbarhet för luftkompressorn, ska ett schema för rutinmässig skötsel förberedas och efterföljas. Följande schema för rutinmässig skötsel är anpassad för en enhet i en normal arbetsmiljö med daglig användning. Schemat ska ändras efter behov för att passa de förhållanden under vilken din kompressor används. Modifikationerna beror på användningstimmor och arbetsmiljön.

Kompressorer i en extremt smutsig och/eller ogästvänlig miljö, kräver en tätare frekvens av alla underhållskontroller.

RUTINMÄSSIGT UNDERHÅLLSSHEMA

1. Släpp ut vatten ur lufttanken, eventuella fuktseparatorer eller transformatorer.
2. Verifiera eventuellt konstigt ljud och/eller vibration.
3. Kontrollera alla säkerhetsventiler manuellt för att försäkra dig om att de fungerar korrekt.

VARNING! Risk för explosion.

Kontrollera säkerhetsventilen. Om säkerhetsventilen inte fungerar korrekt kan övertryck i lufttanken leda till att tanken spricker eller exploderar och orsaka person- och egendomsskada.

4. Inspektera luftfilter och byt ut det om det behövs.
5. Inspektera luftleder och anslutningar efter läckor och laga om det behövs.
För varje driftår eller om ett problem verkar ha uppstått:
 - Kontrollera förhållandet för luftkompressorns pumpintag och utblåsningsventilerna.
 - Kontrollera förhållandet för kontrollventilen. Byt ut den om den är skadad eller utsliten.
6. Se till att alla skruvar, bultar och höljen är fast monterade. Kontrollera deras förhållande då och då.

VARNING!

Se till att alla skruvar, bultar och skydd är ordentligt fastsatta. Om skruvar, plattor eller skydd är lösa kan det leda till person- och egendomsskada.

1) FELSÖKNING

PROBLEM	ORSAK	ÅTGÄRD
Startar inte	Trasig säkring eller så har kretsens säkring löst ut. Glappkontakt i elanslutningarna. Förlängningskabeln är felaktig. Överhettad motor.	Sök efter orsaken och byt ut eller återställ. Kontrollera kabelanslutningen max 15m/50ft min, 14ga. Använd återställningsknappen/vänta på automatisk återställning.
Lågt tryck	Luft läcker från säkerhetsventil. Tilltäppt luftfilter. Fel på kontrollventil.	Kontrollera ventilen manuellt: dra uppåt på ringar. Ersätt ventilen om tillståndet kvarstår. Rengör eller byt ut luftfiltret. Byt ut kontrollventilen.
Säkerhetsventilen släpper	Fel på tryckvakt eller felaktig justering.	Utför korrekt justering och om problemet kvarstår ska tryckvakten bytas ut.

2) VARNING!

Felaktig transport och hantering av maskinen kan skada den.

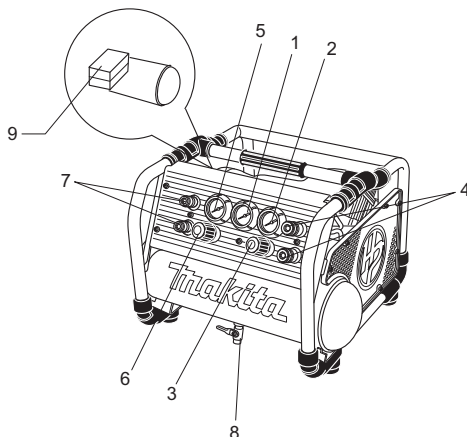
Dagligt underhåll

1. Före varje användning:
 - A Kontrollera att alla muttrar och bultar är åtdragna.
 - B Kontrollera att maskinen inte låter konstigt eller vibrerar.
2. Efter varje användning:

Töm ut all luft ur lufttanken. Öppna dräneringsventilen inunder lufttanken för att tömma ut kondenserat vatten ur tanken.
3. Veckounderhåll:
 - A Kontrollera säkerhetsventilens prestanda.
 - B Kontrollera att luftventilens avsedda tryck är 2,8 Mpa.
 - C Rengör luftfiltret.
4. Månadsunderhåll:
 - A Inspektera luftsystemet efter läckor genom att applicera tvålatten på alla anslutningar. Dra åt eventuella anslutningar som läcker.
 - B Kontrollera att alla muttrar och bultar är åtdragna.
 - C Byt ut luftfiltret mot ett nytt.
 - D Rengör luftkompressorns yta.
5. Kvartalsunderhåll:
 - A Kontrollera cylindern och kolven och vidta åtgärder om de är slitna.

Forklaring til oversikten

1. Lufttankmanometer
2. Manometer for regulert høytrykk (HP)
3. Luftregulator for høytrykk (HP)
4. Hurtigkoblinger for høytrykk (HP) (luftuttak)
5. Manometer for regulert normaltrykk (RP)
6. Luftregulator for normaltrykk (RP)
7. Hurtigkobling for normaltrykk (RP) (luftuttak)
8. Tappekran
9. Trykkbryter



SPESIFIKASJONER

Modell	AC310H
MAKS. inngangseffekt	1800 W
SCFM ved 40 PSIG (L/min ved 2,8 bar)	3,7 (106 L)
SCFM ved 90 PSIG (L/min ved 6,2 bar)	3,6 (101 L)
SCFM ved 300 PSIG (L/min ved 21 bar)	2,7 (77 L)
Innkoblingstrykk	2,3 MPa (23 bar)
Utkoblingstrykk	2,8 MPa (28 bar)
Sylinderdiameter x slaglengde x antall	62 mm x 31 mm x 1,45 mm x 10 mm x 1
Spenning – enfaset	220–240 V AC
Hz	50 Hz
Motorturtall	1420 min ⁻¹
Smøring	Oljefri
Tankstørrelse	6,2 L
Vekt	36 kg
Mål (L x H x B)	476 x 375 x 507 mm
Maks trykk på uttak for høytrykk (HP) (kun for trykkluftverktøy (høytrykk))	2,6 MPa (26 bar)
Maks trykk på uttak for normaltrykk (RP) (kun for trykkluftverktøy (normaltrykk))	0,9 MPa (9 bar)
Støy	LWA 90 dB

• Som følge av vårt kontinuerlige forsknings- og utviklingsprogram kan de tekniske dataene endres uten ytterligere forvarsel.

• Merk: Tekniske data kan variere fra land til land.

Minimumskrav for kurs: 7 ampere

* En skillebryter er foretrukket. Bruk bare sikringer eller skillebrytere med samme ytelse som kursen kompressoren er koblet til. Hvis kompressoren er koblet til en kurs med sikringer, bruker du sikringer med tidsforsinkelse.

VIKTIG

Les sikkerhetsveiledningen og alle instruksjonene nøye før bruk.

Symboler

Nedenfor ser du symbolene som brukes for dette utstyret.

Forsikre deg om at du forstår hva de betyr, før du begynner å bruke verktøyet.



..... Les bruksanvisningen.



..... Fare for elektrisk støt.
Forsiktig: Før du gjør noe arbeid på kompressoren, må den være koblet fra strøm.



..... Fare for høye temperaturer.
Forsiktig: Enkelte deler på kompressoren kan bli svært varme.



..... Fare for utilsiktet oppstart.
Vær oppmerksom på at kompressoren kan startes automatisk når strømmen gjenopprettes etter strømavbrudd.



..... Bruk vernebriller.



..... Kun for EU-land
Kast aldri elektroutstyr i husholdningsavfallet!
I henhold til EU-direktiv 2002/96/EF om kasserte elektriske og elektroniske produkter og direktivets iverksetting i nasjonal rett, må elektroutstyr som ikke lenger skal brukes, samles separat og returneres til et miljøvennlig gjenvinningsanlegg.

VIKTIGE SIKKERHETSINSTRUKSJONER

⚠ ADVARSEL

LES OG FORSTÅ ALLE INSTRUKSJONER

Hvis du ikke følger alle instruksjonene som er oppført nedenfor, kan det føre til elektriske støt, brann og/eller alvorlige helseskader.



TA VARE PÅ DENNE VEILEDNINGEN.

ARBEIDSOMRÅDE

1. **Hold arbeidsplassen din ren og godt opplyst.** Rotete og mørke områder innbyr til uhell.
2. **Ikke bruk elektriske verktøy i eksplosive atmosfærer, f.eks. i nærheten av brennbare væsker, gasser eller støv.** Elektriske verktøy avgir gnister som kan antenne støv eller gasser.

3. **Hold tilskuere, barn og gjester unna når du bruker et elektrisk verktøy.** Ting som avleder oppmerksomheten kan få deg til å miste kontrollen over verktøyet. Beskytt andre i arbeidsområdet mot å bli truffet av spon og gnister. Sett opp sperringer eller vermedekslar ved behov. Barn må holdes utenfor arbeidsområdet.
4. **Passende romtemperatur er +5°C til +30°C (min. 0°C til maks. + 40°C).**

⚠ ADVARSEL

FEIL BRUK ELLER VEDLIKEHOLD AV DETTE PRODUKTET KAN FØRE TIL ALVORLIG SKADE PÅ PERSONER OG EIENDOM. FØR DU BRUKER DETTE UTSTYRET, MÅ DU LESE OG FORSTÅ ALLE ADVARSLER OG BRUKSINSTRUKSJONER.

⚠ ADVARSEL

Fare for feil bruk

HVA KAN SKJE

Feil bruk av kompressoren kan føre til alvorlig skade på deg selv og andre.

HVORDAN FORHINDRE DET

- Les og forstå alle instruksjoner og advarsler i denne bruksanvisningen.
- Gjør deg kjent med hvordan du bruker og styrer kompressoren.
- Påse at det ikke befinner seg personer, dyr og hindringer på arbeidsområdet.
- Hold barn unna kompressoren til enhver tid.
- Ikke bruk produktet hvis du er sliten eller påvirket av alkohol eller rusmidler. Vær oppmerksom til enhver tid.
- Aldri omgå sikkerhetsfunksjonene til dette produktet.
- Ha brannslukkingsapparat tilgjengelig på arbeidsområdet.
- Ikke bruk maskinen hvis det mangler deler, eller med deler som er ødelagte eller ikke godkjente.

⚠ ADVARSEL

Fare for sprekk i lufttanken



HVA KAN SKJE

Følgende forhold kan føre til svekkelse av tanken, NOE SOM KAN FORÅRSAKE AT TANKEN EKSPLODERER KRAFTIG OG DERMED PÅFØRER DEG OG ANDRE ALVORLIG SKADE:

- Manglende tapping av kondens fra tanken, noe som forårsaker rust og svekkelse av tankveggen
- Modifisering eller forsøk på reparasjon av tanken
- Ikke godkjent modifisering av trykkbryteren, sikkerhetsventilen eller andre deler som styrer tanktrykket

HVORDAN FORHINDRE DET

- Tapp lufttanken daglig eller etter hver bruk. Hvis lufttanken lekker, må du skifte til en ny tank eller skifte ut hele kompressoren.
- Ikke bor i, sveis eller på andre måter modifiser lufttanken da dette vil svekke den. Tanken kan sprekke eller eksplodere. Skift til en ny lufttank.

- Følg anbefalingene fra utstyrsprodusentene, og overskrid aldri maks tillatt trykkapasitet for tilkoblingsutstyr. Bruk aldri kompressoren til å blåse opp gjenstander med lavt trykk som for eksempel leker, fotballer, basketballer osv.

ADVARSEL



Fare for eksplosjon i tilkoblingsutstyr og tilbehør

HVA KAN SKJE

Hvis du overskrider trykkapasiteten på trykkluftverktøy, sprøytepestoler, trykkluftdrevent tilbehør, dekk og andre oppblåsbare gjenstander, kan de eksplodere, noe som kan føre til alvorlig skade på deg selv og andre.

ADVARSEL



Fare for elektrisk støt

HVA KAN SKJE

- Kompressoren går på strøm. Hvis den ikke brukes riktig, kan den som alt annet elektrisk utstyr forårsake elektrisk støt.
- Jording: Manglende tilstrekkelig jording av dette produktet kan øke faren for elektrisk støt.

HVORDAN FORHINDRE DET

- All elektrisk installasjon eller reparasjon av dette produktet må utføres av kvalifiserte serviceteknikere eller en godkjent elektriker i samsvar med nasjonale og lokale forskrifter om elektriske anlegg.
- Påse at kursen som kompressoren er koblet til, har riktig jording, riktig spenning og tilstrekkelig sikringsbeskyttelse.
- Bruk aldri kompressoren utendørs når det regner, eller i våte omgivelser.
- Bruk aldri kompressoren hvis beskyttelsesskjermer og deksler er ødelagte eller fjernet.

ADVARSEL



Fare for eksplosjon eller brann

HVA KAN SKJE

Det er normalt at elektriske kontakter i motoren og trykkbryteren gnistrer når kompressoren startes eller stanses. Bruk aldri kompressoren i omgivelser der det er brannfarlig gass. Dette kan føre til alvorlig skade på deg selv og andre.

HVORDAN FORHINDRE DET

- Bruk alltid kompressoren på godt ventilerte områder der det ikke er gass fra bensin eller løsemidler.
- Hvis du sprayer med brannfarlige stoffer, må du plassere kompressoren minst 6,1 meter unna sprayeområdet.
- Lagre brannfarlige stoffer på et sikkert sted borte fra kompressoren.

ADVARSEL



Innåndingsfare

HVA KAN SKJE

- Trykkluften fra kompressoren bør ikke innåndes. Luftstrømmen kan inneholde karbonmonoksid eller andre gasser, eller partikler fra tanken eller andre deler.
- Stoffer som sprayes, for eksempel maling, løsemidler, malingsfjernere, insektmidler, ugressmidler osv., inneholder farlige gasser og gifter.
- Innånding av trykkluft eller gasser fra sprayede stoffer kan føre til alvorlige skade.

HVORDAN FORHINDRE DET

- Pust aldri inn luft fra kompressoren, verken direkte eller via pusteutstyr koblet til kompressoren. Arbeid i omgivelser med god tværrventilasjon.
- Les og følg nøye sikkerhetsinstruksjonene på etiketten eller HMS-databladet for stoffet du sprayer. Bruk en godkjent gassmaske som er beregnet på arbeidet du skal utføre.

ADVARSEL

Støfyare



Fare ved trykkluft



HVA KAN SKJE

Trykkluftstrømmen kan forårsake skader på mykt vev og kan blåse smuss, fliser, løse partikler og små gjenstander med stor hastighet, noe som kan føre til skade på eiendom og personer.

HVORDAN FORHINDRE DET

- Bruk alltid godkjente vernebriller med sidebeskyttelse når du bruker eller vedlikeholder kompressoren.
- Rett aldri dysen eller sprayredskapet mot deg selv, andre personer eller dyr.
- Skru alltid av kompressoren og tøm trykket i luftslangen før du skal utføre vedlikehold, koble til verktøy eller tilbehør.

ADVARSEL



Fare ved bevegelige deler

HVA KAN SKJE

Kompressoren settes automatisk i bevegelse når trykkbryteren settes i stillingen PÅ/AUTO (ON/AUTO). Hvis du forsøker å utføre reparasjon eller vedlikehold mens kompressoren er i drift eller koblet til, kan du komme i kontakt med bevegelige deler. Disse delene kan forårsake alvorlig skade.

HVORDAN FORHINDRE DET

- Skru alltid av kompressoren og tøm trykket i tanken og tilkoblingsutstyr før du skal utføre vedlikehold eller reparasjon.
- Bruk aldri kompressoren hvis beskyttelsesskjermer og deksler er ødelagte eller fjernet.

- Hold hår, klær og hansker unna bevegelige deler. Løse klær, smykker eller langt hår kan sette seg fast i bevegelige deler.
- Under lufteventilene kan det være bevegelige deler og bør også unngås.

ADVARSEL



Fare for brannskader

ADVARSEL

Ikke bruk den bærbare kompressoren med dørene eller rommene åpne!



ADVARSEL

Ikke åpne kranen før luftslangen er festet!



HVA KAN SKJE

Berøring av varme deler som for eksempel kompressorblokken eller uttaksslanger kan føre til alvorlig brannskade på huden.

HVORDAN FORHINDRE DET

- Berør aldri varme deler under eller rett etter bruk av kompressoren. Ikke ta på baksiden av beskyttelsesdeksler eller utfør vedlikehold før enheten er avkjølt.
- Håndtering og løfting: Hold kun i håndtaket når du flytter eller transporterer kompressoren.
- For å unngå helseskader må du ikke ta på sylindringen, sylindrerhodet eller eksosslangen og andre overopphete deler når kompressoren er i bruk eller innen en time etter at den er slått av.

ADVARSEL

Transport

- Maksimal vinkel under transport er 30°.
- Må ikke transporteres med kjøretøy.
- Ikke bruk kompressoren i brennbare, eksplosive eller korroderende omgivelser.

ORDFORKLARINGER

CFM: Kubikkfot per minutt (cubic feet per minute)

SCFM: Standard kubikkfot per minutt (standard cubic feet per minute), måleenhet for luftgjennomstrømning

PSIG: Pund per kvadrattomme (pounds per square inch gauge), måleenhet for trykk

INNKOBLINGSTRYKK: Når motoren er av, faller trykket i lufttanken mens du bruker tilbehøret eller trykkluftsverktøyet. Når trykket i tanken faller til et bestemt nivå, startes motoren på nytt automatisk, og dette trykket kalles innkoblingstrykk.

CUT-OUT PRESSURE: Når du slår på kompressoren, begynner den å kjøre, og lufttrykket i tanken øker. Trykket øker til et bestemt nivå før motoren automatisk slås av og på den måten beskytter lufttanken mot trykk som er høyere enn tankens trykkapasitet. Trykket der motoren slås av, kalles utkoblingstrykk.

ARBEIDSSYKLUS

Alle kompressorer fra Makita anbefales å brukes med en arbeidssyklus som ikke overstiger 50 prosent. Det vil si at hvis en kompressor pumper luft i mer enn 50 prosent av en time, regnes det som feil bruk fordi kompressoren er underdimensjonert for ytelsen som kreves.

GENERELL INFORMASJON

Kompressoren er utstyrt med en oljefri pumpe som er laget for holdbarhet og null vedlikehold.

Kompressoren kan brukes for riktig dimensjonerte spikerpistoler og stiftmaskiner. Det følger med en trykkregulator for disse bruksområdene.

ADVARSEL:

Bruk aldri kompressoren til annet enn å drive riktig dimensjonerte trykkluftsdrevne spikerpistoler og stiftmaskiner. Annen bruk av kompressoren kan føre til skade på eiendom og personer.

Der det egner seg, bør du bruke separate luftomformere som både regulerer luft og/eller fjerner fukt og smuss.

INSPEKSJON VED MOTTAK

SKADE: Alle kompressorene blir nøye testet og kontrollert før utskipping. Ved feil håndtering kan det oppstå skader underveis og føre til at kompressoren ikke fungerer som den skal.

Når du mottar utstyret, bør du umiddelbart kontrollere om det finnes skjulte og synlige skader for å unngå reparasjonskostnader. Dette bør gjøres uansett om fraktkassen bærer preg av å være skadet eller ikke. Hvis produktet ble sendt til deg direkte, gir du melding om eventuelle skader til befraktere og avtaler umiddelbar inspeksjon av varen.

LAGRING

Før du lagrer kompressoren, må du sørge for det følgende:

1. Les gjennom avsnittene Vedlikehold og Bruksinstruksjoner, og utfør vedlikehold etter behov. Husk å tappe vannet fra lufttanken.
 2. Beskytt den elektriske ledningen og luftslangen mot skade (for eksempel at de trækkes på eller overkjøres).
- Lagre kompressoren på et rent og tørt sted.

BESKRIVELSE AV KOMPRESSORENS VIRKEMÅTE

TAPPEKRAN: Tappekranen er plassert under lufttanken og brukes til å tappe kondens etter bruk.

TERMOSIKRING:

Den elektriske motoren har en termosikring som kan tilbakestilles manuelt. Hvis motoren av en eller annen grunn overopphetes, slår sikringen av motoren. Sett trykkbryteren i AV-stillingen, og vent til enheten er avkjølt før du trykker på tilbakestillingsknappen og starter kompressoren på nytt.

MOTORENS TERMISKE OVERLASTVERN:

Når merkespenningen overstiger, åpnes overlastvernet, og motoren slås av automatisk.
La motoren kjøles ned før du starter den på nytt.
Kompressoren starter automatisk på nytt etter motoren.

BRYTER FOR PÅ/AUTO-AV:

Sett denne bryteren til PÅ (ON) for å forsyne trykkbryteren med kraft, og til AV (OFF) for å avslutte kraftforsyningen når du er ferdig med å bruke kompressoren, eller når kompressoren skal stå uten oppsyn.

LUFTINNTAKSFILTER:

Dette filteret er laget for å rense luft som kommer inn i kompressorumpen. Dette filteret må alltid være rent og ublokkert. Se Vedlikehold.

KOMPRESSORPUMPE:

For at det skal produseres trykkluft, beveges stemplet opp og ned i sylindren. På nedoverslaget trekkes luft inn gjennom luftinntaksventilen. Uttaksventilen holdes lukket. På oppoverslaget trykkes luften sammen. Inntaksventilen lukkes, og trykkluften tvinges ut gjennom uttaksventilen, gjennom uttaksslangen, gjennom tilbakeslagsventilen og inn i lufttanken. Luften er ikke tilgjengelig før kompressoren har økt trykket i lufttanken til over det som kreves for luftuttaket.

TILBAKESLAGSVENTIL:

Når kompressoren er i drift, er tilbakeslagsventilen åpen slik at trykkluften kommer inn i lufttanken. Når kompressoren når utkoblingstrykket, lukkes tilbakeslagsventilen slik at trykkluften ikke slipper ut av lufttanken.

TRYKKBRYTERENS

AVLASTNINGSVENTIL:

Trykkbryterens avlastningsventil er plassert på siden av trykkbryteren, og formålet med denne ventilen er å frigjøre trykkluft fra kompressorblokken og uttaksslangen automatisk når kompressoren når utkoblingstrykket.

TRYKKBRYTER:

Trykkbryteren starter motoren automatisk når trykket i lufttanken kommer under det fabrikkinnstilte innkoblingstrykket. Den stanser motoren når trykket i lufttanken når det fabrikkinnstilte utkoblingstrykket.

SIKKERHETSVENTIL:

Hvis trykkbryteren ikke slår av kompressoren ved utkoblingstrykket, beskytter sikkerhetsventilen mot for høyt trykk ved at den "aktiveres" ved et fabrikkinnstilt trykk som er noe høyere enn utkoblingstrykket.

UTTAKSMANOMETER:

Uttaksmanometeret viser lufttrykket som er tilgjengelig på uttakssiden av regulatoren. Dette trykket styres med regulatoren og er alltid mindre enn eller lik tanktrykket. Se Bruksinstruksjoner.

TANKMANOMETER:

Tankmanometeret viser lufttrykket i tanken.

REGULATOR:

Lufttrykket som kommer fra lufttanken, styres med regulatorhjulet. Vri hjulet med klokken for å øke trykket og mot klokken for å senke trykket. For å unngå mindre justeringer etter at du har endret trykket, bør du alltid stille inn trykket fra et lavere trykk og så øke. Når du skal gå fra en høyere til lavere innstilling, reduserer du først trykket litt mer enn innstillingen du ønsker. Hvor mye luft som kreves, varierer fra tilbehør til tilbehør. Det kan derfor hende du må justere uttakslufttrykket mens du bruker tilbehøret.

TRYKKLUFTUTTAK FOR HØYTRYKK (HP)

(kun for trykkluftverktøy (høytrykk))
Maks trykk på uttak: 2,6 MPa (26 bar)

TRYKKLUFTUTTAK FOR NORMALTRYKK (RP)

(kun for trykkluftverktøy (normaltrykk))
Maks trykk på uttak: 0,9 MPa (9 bar)

INSTRUKSJONER FOR INSTALLASJON OG INNKJØRING

PLASSERING AV KOMPRESSOREN

Plasser kompressoren på et rent, tørt og godt ventilert sted. Luftfilteret må holdes ublokkert da blokkering kan redusere lufttilførselen for kompressoren. Kompressoren bør plasseres minst 0,3 meter fra veggen eller andre gjenstander som kan hindre luftstrømmen. Kompressorblokken og dekslet er utformet for å gi god kjøling. Hvis det er høy luftfuktighet, kan et luftfilter monteres på luftuttakskoblingen for å fjerne overskytende fuktighet. Følg instruksjonene som leveres med luftfilteret, for korrekt montering.
Plasser kompressoren på et jevnt underlag slik at den hviler på gummiføttene.

SMØRING

Kompressoren er utstyrt med en oljefri pumpe som er laget for holdbarhet og null vedlikehold.

Strømforsyning

Bruk spenningene som er angitt på typeskiltet, for å drive kompressoren. Toleranseområdet må være innenfor ± 5 prosent. Hvis du bruker kompressoren med en høyere spenning enn den er dimensjonert for, fører det til raskere motoromdreininger enn normalt, noe som kan skade enheten og motoren.

Skjøteledninger

Bruk heller ekstra luftslange i stedet for skjøteledninger da bruk av skjøteledninger kan føre til spenningsfall, effekttap og overoppheting av motoren. For lav spenning kan skade motoren.

Hvis det er nødvendig med skjøteledning:

- Bare bruk en godkjent jordet skjøteledning med jordet støpsel og stikkontakt som passer til støpselet på kompressoren.
- Kontroller at skjøteledningen er i god stand.

Se tabellen under for minstekrav for skjøteledninger:

Ampereområde (220–240 V)	Total lengde på ledningen i meter					
	10 m 25 fot	15 m 50 fot	20 m 75 fot	30 m 100 fot	50 m 150 fot	60 m 200 fot
0–5 A	1,5 mm ²	1,5 mm ²	1,5 mm ²	2,5 mm ²	4 mm ²	4 mm ²
5,1–8 A	1,5 mm ²	1,5 mm ²	2,5 mm ²	4 mm ²	4 mm ²	4 mm ²
8–12 A	2,5 mm ²	2,5 mm ²	4 mm ²	Ikke anbefalt		

Rør

Plast- eller PVC-rør er ikke beregnet for bruk med trykkluft. Uansett hva som er oppgitt som trykkapasitet, kan plastrør sprekke på grunn av lufttrykket. Bruk bare metallrør til luftfordelingsledninger. Hvis det er behov for en rørdledning, bruker du et rør som har samme størrelse som eller er større enn uttaket på lufttanken. Rør som er for små, vil hindre luftstrømmen. Hvis rørene er mer enn 30 meter, bruker du en størrelse over. Legg rør som skal gå under bakken, under frostdybden, og unngå lommer der kondens kan samles og fryse. Prøv rørene med trykk før rørene dekkes til, for å kontrollere at alle rørforbindingene er tette.

Jordingsinstruksjoner

⚠ ADVARSEL: Fare for elektrisk støt! Ved kortslutning reduserer jording faren for støt ved at strømmen kan ledes bort. Denne kompressoren må jordes skikkelig.

Kompressoren er utstyrt med en jordet ledning med et egnet jordet støpsele. Støpselet må kobles til en kontakt som er montert og jordet i samsvar med alle lokale bestemmelser og forskrifter. Kontakten må ha samme utforming som støpselet. IKKE BRUK ADAPTER.

Kontroller støpselet og ledningen før hver bruk. Ikke bruk kompressoren hvis det er tegn til skade.

FARE:

Feil jording kan føre til elektrisk støt. Ikke modifier støpselet som følger med. Hvis det ikke passer i kontakten, må riktig kontakt monteres av en kvalifisert elektriker.

BRUKSINSTRUKSJONER

Daglig sjekkliste for oppstart

KOBLE TIL SLANGER

⚠ ADVARSEL:

Fare for feil bruk. Hold slangen godt når du kobler til eller kobler fra slangen, for å unngå "slag" fra slangen.

Hvis du mister kontroll over slangen, kan det føre til skade på personer og eiendom.

1. Før du kobler til luftslangen eller tilbehør, må du kontrollere at trykkbryteren er satt til AV (OFF), og at luftregulatoren eller lukkeventilen er stengt.
2. Koble til slangen og tilbehør. Hvis du bruker for høyt trykk, er det fare for at utstyret kan sprekke. Undersøk hva produsenten har oppgitt som maks trykkapasitet for trykkluftverktøyene og tilbehøret. Regulatoruttakstrykket må aldri overstige maks trykkapasitet.

3. Sett trykkbryteren til PÅ/AUTO (ON/AUTO), og la tanktrykket bygge seg opp. Motoren stanser når tanktrykket når utkoblingstrykket.
4. Åpne regulatoren ved å vri den med klokken. Juster regulatoren til riktig trykkinnstilling. Kompressoren er klar til bruk.
5. Bruk alltid kompressoren på godt ventilerte områder uten gass fra bensin eller løsemidler. Ikke bruk kompressoren nær sprayområdet.

Når du er ferdig:

KOBLE FRA SLANGER

⚠ ADVARSEL:

Fare for feil bruk. Hold slangen godt når du kobler til eller kobler fra slangen, for å unngå "slag" fra slangen.

Hvis du mister kontroll over slangen, kan det føre til skade på personer og eiendom.

6. Sett trykkbryteren til AV (OFF).
7. Tøm tanktrykket til null ved hjelp av trykkluftverktøyet eller tilbehør.
8. Fjern trykkluftverktøyet eller tilbehøret.
9. Tapp vann fra lufttanken ved å åpne tappekranen på undersiden av tanken. DET VIL DANNES KONDENS I LUFTTANKEN. HVIS TANKEN IKKE TAPPESS, VIL VANNET FORÅRSAKE RUST OG SVEKKE TANKEN, NOE SOM KAN FØRE TIL AT TANKEN SPREKKER.

Merk:

Hvis tappekranen er tett, slipper du ut alt lufttrykk. Tappekranen kan deretter tas av, rengjøres og monteres på nytt.

10. Etter at vannet er tappet, stenger du tappekranen. Kompressoren kan nå lagres.

⚠ ADVARSEL:

Tapp lufttanken skikkelig. Feil tapping av lufttanken kan føre til korrosjon og mulighet for at tanken sprekker. Hvis tanken sprekker, kan det føre til skade på personer og eiendom. Tillegginstruksjonen i den opprinnelige advarselen gjentar bare det som er nevnt i punkt 9 over. Dessuten angir den ikke at kompressoren må slås av.

VEDLIKEHOLD

⚠ ADVARSEL:

Bruk aldri kompressoren hvis den ikke fungerer som den skal.

Hvis det virker som om kompressoren fungerer unormalt, lager uvanlige lyder eller vibrasjoner, må du avslutte bruken umiddelbart og sende den til reparasjon hos et Makita-godkjent servicesenter.

⚠ ADVARSEL:

Bruk bare originale Makita-reservedeler. Bruk av reservedeler som ikke er produsert av Makita, kan gjøre garantien ugyldig og føre til feil og skader. Originale Makita-deler er tilgjengelig fra godkjente forhandlere.

⚠ ADVARSEL:

ENHETEN SETTES I DRIFT AUTOMATISK NÅR DEN ER SLÅTT PÅ. NÅR DU UTFØRER VEDLIKEHOLD, KAN DU KOMME I KONTAKT MED STRØMKILDER, TRYKKLUFT ELLER BEVEGELIGE DELER. DETTE KAN FØRE TIL PERSONSKADE. KOBLE FRA KOMPRESSOREN OG TØM ALL TRYKKLUFT FØR DU UTFØRER VEDLIKEHOLD ELLER REPARASJON.

kompressoren brukes under. Tilpasningene vil være avhengige av hvor lenge kompressoren brukes, og arbeidsmiljøet. Kompressorer som brukes under svært skitne og/eller røffe forhold, krever hyppigere vedlikehold.

PLAN FOR RUTINEMESSIG VEDLIKEHOLD

1. Tapp vann fra lufttanken og eventuelle fuktighetsutskillere eller omformere.
2. Kontroller om det finnes uvanlige lyder og/eller vibrasjoner.
3. Kontroller manuelt alle sikkerhetsventiler for å sikre at de fungerer som de skal.

⚠ ADVARSEL: Fare for sprekk.

Kontroller sikkerhetsventilen hvis sikkerhetsventilen ikke fungerer som den skal ved overtrykk i lufttanken, kan det oppstå sprekk eller eksplosjon, som kan føre til skade på personer eller eiendom.

4. Kontroller luftfilteret, og skift ut ved behov.
5. Kontroller luftslinger og rørdeler om det finnes lekkasjer. Rett opp eventuelle problemer. Hvert driftsår, eller ved mistanke om feil:
 - Kontroller kompressorens ventiler for pumpeinntak og -uttak.
 - Kontroller tilbakeslagsventilen. Skift den ut hvis den er ødelagt eller utslitt.
6. Påse at alle skruer, bolter og deksler er godt festet. Kontroller dem jevnlig.

⚠ ADVARSEL:

Påse at alle skruer, bolter og deksler er godt festet. Hvis skruer, plater eller deksler er løse, kan det føre til skade på personer eller eiendom.

Du bør lage og følge en plan for rutinemessig vedlikehold for at kompressoren skal fungere mer effektivt og få lengre brukstid. Følgende vedlikeholdsplan er rettet mot en enhet i som er i daglig drift i et normalt arbeidsmiljø. Ved behov bør planen tilpasses forholdene som

1) FEILSØKING

PROBLEM	ÅRSAK	AVHJELPENDE TILTAK
Vil ikke starte	Sikringen er gått, eller bryteren er overbelastet; Løse elektriske forbindelser; Feil skjøteledning; Overoppvarmet motor	Prøv å finne årsaken, eller tilbakestill. Kontroller kabeltilkoblingene maks. 15 m/50 ft., min. 14 ga. Bruk tilbakestillingsknappen/vent på automatisk tilbakestilling.
Lavt trykk	Luftlekkasje i sikkerhetsventil Tilstoppet luftfilter Defekt tilbakeslagsventil	Kontroller ventilen manuelt: Trekk ringene oppover. Hvis tilstanden vedvarer, må ventilen skiftes ut. Rens eller skift ut luftfilteret, og skift ut tilbakeslagsventilen.
Sikkerhetsventilen åpner	Defekt trykkbryter eller feilaktig justering	Kontroller med tanke på riktig justering. Hvis problemet vedvarer, må du skifte ut trykkbryteren.

2) ADVARSEL!

Hvis maskinen transporteres og løftes på feil måte, vil den bli skadet.

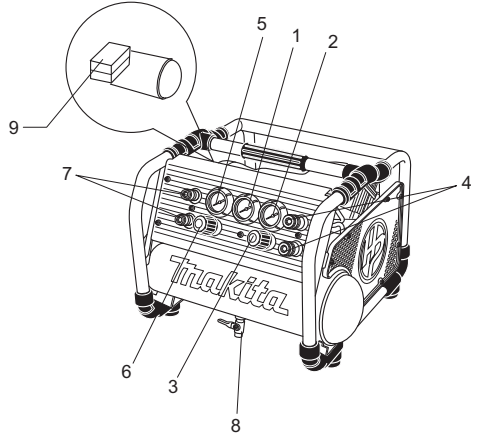
Daglig vedlikehold

1. Før hver gangs bruk:
 - A Forviss deg om at alle muttere og skruer er stramme.
 - B Kontroller med tanke på uvanlig støy eller vibrasjon.
2. Etter hver gangs bruk:

Ventiler ut all luften i lufttanken. Åpne tappekranen på bunnen av lufttanken for å tappe kondensvannet ut av tanken.
3. Ukentlig vedlikehold:
 - A Kontroller om sikkerhetsventilen virker som den skal.
 - B Kontroller luftbryteren. Merketrykket er 2,8 Mpa.
 - C Rengjør luftfilteret.
4. Månedlig vedlikehold:
 - A Inspiser luftsyste­met med tanke på lekkasjer, ved å påføre såpevann på alle sammenføyninger. Stram disse sammenføyningene hvis du finner en lekkasje.
 - B Kontroller at alle muttere og skruer holder seg strammet.
 - C Skift ut luftfilteret med et nytt.
 - D Rengjør overflaten av luftkompressoren.
5. Kvartalsvis vedlikehold:
 - A Kontroller sylindere­n og stempelet. Ta deg av dem hvis de er slitt.

Yleiskuvaus

1. Ilmasäiliön painemittari
2. Paineensäätimen mittari HP (korkeapaine)
3. Paineensäädin HP (korkeapaine)
4. Pikaliitännät HP (korkeapaine) (ilmaliitäntä)
5. Paineensäätimen mittari RP (normaalipaine)
6. Paineensäädin RP (normaalipaine)
7. Pikaliitäntä RP (normaalipaine) (ilmaliitäntä)
8. Tyhjennysventtiili
9. Painekeytkin



TEKNISET TIEDOT

Malli	AC310H
Enimmäissyöttöteho	1800 W
L/min, kun paine 2,8 bar	106 L
L/min, kun paine 6,2 bar	101 L
L/min, kun paine 21 bar	77 L
Käynnistyspaine	2,3 MPa (23 bar)
Katkaisupaine	2,8 MPa (28 bar)
Halkaisija x iskun pituus x määrä	62 mm x 31 mm x 1,45 mm x 10 mm x 1
Jännite - yksivaiheinen	220 - 240 V AC
Hz	50 Hz
Moottorin kierrosluku	1.420 min ⁻¹
Voitelu	Öljytön
Säiliön koko	6,2 L
Paino	36 kg
Mitat (P x K x L)	476 x 375 x 507 mm
Liitännän suurin paine HP (korkeapaine) (Ainoastaan korkeapainekäyttöön)	2,6 MPa (26 bar)
Liitännän suurin paine RP (normaalipaine) (Ainoastaan normaalipainekäyttöön)	0,9 MPa (9 bar)
Melutaso	L _{WA} 90 dB

• Jatkuvan tutkimus- ja kehitysohjelman vuoksi pidätämme oikeuden muuttaa tässä mainittuja teknisiä ominaisuuksia ilman ennakoilmoitusta.

• Huomautus: Tekniset ominaisuudet saattavat vaihdella maittain.

Virtapiiriin vähimmäisvaatimus: 7 A

* Virtakatkaisija on suositeltava. Käytä vain sellaisia sulakkeita tai katkaisijoita, joiden arvot vastaavat sen haaroituskytkennän arvoja, johon kompressori on kytketty. Jos kompressori kytketään sulakkeilla suojattuun virtapiiriin, sulakkeiden tulee olla viivesulakkeita.

TÄRKEÄÄ

Lue turvallisuusohjeet ja KAIKKI muut ohjeet ennen käytön aloittamista.

Symbolit

Laitteessa on käytetty seuraavia symboleja. Varmista ennen käyttöä, että ymmärrät niiden merkityksen.



..... Lue käyttöohje.



..... Sähköiskuvaara.
Varoitus: kompressori täytyy irrottaa virtalähteestä ennen minkäänlaisia huoltotoimia.



..... Kuumenemisvaara.
Varoitus: tässä kompressorissa on osia, jotka voivat kuumentua.



..... Tahattoman käynnistymisen vaara.
Huomautus: kompressori voi käynnistyä itsestään sähkökatkosta seuraavan palautumisen yhteydessä.



..... Käytä suojalaseja.



..... Koskee vain EU-maita
Älä hävitä sähkötarvikkeita tavallisen kotitalousjätteen mukana!
Vanhoja sähkö- ja elektroniikkalaitteita koskevan EU-direktiivin 2002/96/ETY ja sen maakohtaisten sovellusten mukaisesti käytetyt sähkötarvikkeet on toimitettava ongelmajätteen keräyspisteeseen ja ohjattava ympäristöstävälliseen kierrätykseen.

TÄRKEITÄ TURVAOHJEITA

VAROITUS

LUE KAIKKI KÄYTTÖOHJEET HUOLELLISESTI

Alla olevien ohjeiden noudattamatta jättäminen voi johtaa sähköiskuun, tulipaloon ja vakavaan vammautumiseen.



SÄILYTÄ NÄMÄ OHJEET.

TYÖSKENTELYALUE

1. **Pidä työskentelyalue puhtaana ja hyvin valaistuna.** Sotkuissa ja pimeissä tiloissa sattuu helposti onnettomuuksia.
2. **Älä käytä sähkötyökaluja tiloissa, joissa on räjähdysvaara (esimerkiksi tilat, joissa on palavia nesteitä, kaasuja tai pölyä).** Sähkötyökalut synnyttävät kipinöitä, jotka voivat sytyttää pölyn tai kaasun.

3. **Pidä lapset ja sivulliset loitolla, kun käytät sähkötyökalua.** Häiriötekijät voivat aiheuttaa työkalun hallinnan menetyksen. Suojaa muut työskentelyalueella olevat pirstaleita ja kipinöitä. Käytä suojuksia tarpeen mukaan. Lapsia ei tule päästää työskentelyalueelle.
4. **Sopiva huoneenlämpö on välillä +5 ja +30 °C (ääriämpötilat 0 ja +40 °C).**

VAROITUS

TÄMÄN LAITTEEN VÄÄRINKÄYTTÖ TAI SEN HUOLLON LAIMINLYÖMINEN VOI JOHTAA VAKAAN LOUKKAANTUMISEEN TAI AINEELLISIIN VAHINKOIHIN.
LUE KAIKKI VAROITUKSET JA KÄYTTÖOHJEET ENNEN LAITTEEN KÄYTTÄMISTÄ.

VAROITUS

Turvallisuuden laiminlyöminen aiheuttama vaara

MITÄ VOI TAPAHTUA

Kompressorin käyttöturvallisuuden laiminlyönti voi aiheuttaa vakavia vammoja.

ENNALTA EHKÄISEMINEN

- Lue tämän oppaan ohjeet ja varoitukset niin, että ymmärrät kaiken.
- Tutustu kompressorin käyttöön ja säätimiin huolellisesti.
- Pidä työskentelyalue tyhjänä muista ihmisistä, lemmikkieläimistä ja muista haittatekijöistä.
- Älä koskaan päästä lapsia kompressorin luo.
- Älä käytä laitetta väsyneenä tai jos olet alkoholin tai lääkkeiden vaikutuksen alaisena. Pysy valppaana.
- Älä koskaan ohita kompressorin turvalaitteita.
- Varmista, että työskentelyalueella on palosammutin.
- Älä käytä kompressoria, jos siitä puuttuu osia tai jos siinä on rikkiinäisiä tai valtuuttamattomia osia.

VAROITUS

Säiliön räjähdysvaara



MITÄ VOI TAPAHTUA

Seuraavat seikat voivat johtaa säiliön heikentymiseen, jolloin on mahdollista, että SÄILIÖ RÄJÄHTÄÄ JA AIHEUTTAA VAKAVIA VAMMOJA:

- Säiliön tiivistynyttä vettä ei lasketa pois, jolloin säiliön seinämä ohentuu ruostumisen seurauksena.
- Säiliöön tehdään muutoksia tai korjauksia.
- Painekeytkimeen, ylipaineventtiiliin tai muihin säiliön painetta sääteläviin osiin tehdään omatoimisia muutoksia.

ENNALTA EHKÄISEMINEN

- Tyhjennä ilmasäiliö vedestä päivittäin tai kunkin käyttökerran jälkeen. Jos säiliöön tulee vuoto, vaihda tilalle välittömästi uusi säiliö tai ota käyttöön kokonaan uusi kompressori.
- Älä poraa, hitsaa tai tee muutoksia säiliöön, jotta se ei heikkene. Säiliö voi puhjeta tai räjähtää. Vaihda tilalle uusi säiliö.

- Noudata laitevalmistajien ohjeita, äläkä koskaan ylitä kytkettäville laitteille määritettyjä enimmäispaineita. Älä koskaan täytä kompressorilla pieniä ja matalapaineisia esineitä, kuten leluja, jalkapalloja, koripalloja tms.



VAROITUS



Kytkeytyjen laitteiden ja varusteiden räjähdysvaara

MITÄ VOI TAPAHTUA

Jos ilmanpainetyökälulle, maaliruiskulle, Ilmakäyttöiselle lisälaitteelle, renkaalle TAI muulle ilmatäytteiselle esineelle asetettu enimmäispaine ylitetään, esine voi räjähtää tai lennähtää paikaltaan, jolloin seurauksena voi olla vakavia vammoja.

VAROITUS



Sähköiskuvaara

MITÄ VOI TAPAHTUA

- Tämä kompressorin on sähkötoiminen. Kompressorin, kuten muutkin sähkötoimiset laitteet, voi aiheuttaa sähköiskun, jos sitä käytetään väärin.
- Maadoitus: jos laitetta ei ole maadoitettu asianmukaisesti, sähköiskuvaara voi suurentua.

ENNALTA EHKÄISEMINEN

- Kaikki laitteeseen tehtävät johtotyöt ja muut korjaukset täytyy jättää ammattitaitoisen huoltoliikkeen tai sähköasentajan tehtäväksi, ja niissä tulee noudattaa maakohtaisia ja paikallisia sähköturvallisuusmääräyksiä.
- Varmista, että kompressorin on kytketty oikean jännitteen omaavaan virtapiiriin, joka on asianmukaisesti maadoitettu ja suojattu sulakkeella.
- Älä koskaan käytä kompressorin ulkona vesisateessa tai muutoin kosteissa olosuhteissa.
- Älä koskaan käytä kompressorin, jos sen suojuissa tai suojujansissa on vaurioita tai jos ne puuttuvat.

VAROITUS



Räjähdyks- ja tulipalovaara

MITÄ VOI TAPAHTUA

Kompressorin moottorin koskettimissa ja painekeytkimessä syntyy normaalisti kipinöitä, kun moottori käynnistyy ja pysähtyy. Älä koskaan käytä kompressorin tilassa, jossa on helposti syttyviä kaasuja. Muutoin seurauksena voi olla vakava loukkaantuminen.

ENNALTA EHKÄISEMINEN

- Käytä kompressorin ainoastaan hyvin tuuletetuissa tiloissa, joissa ei ole höyrystynyttä bensiiniä tai liuottimia.
- Jos ruiskutat herkästi syttyviä aineita, sijoita kompressorin vähintään 6,1 m:n päähän ruiskutusalueesta.
- Säilytä herkästi syttyviä aineita turvallisessa paikassa etäällä kompressorista.

VAROITUS

Vaara hengitykselle

MITÄ VOI TAPAHTUA

- Kompressorin paineilmaa ei ole turvallista hengittää. Ilmavirta voi sisältää hiiliemonoksidia (häkää), muita kaasuja sekä säiliöstä tai muulta irronneita hiukkasia.
- Ruiskutettavat aineet, kuten maalit, maalien ohentimet, maalienpoistoaineet, hyönteismyrkyt ja rikkaruohomyrkyt sisältävät vahingollisia aineita ja myrkyä.
- Kompressorin ilman tai ruiskutettujen aineiden hengittäminen voi aiheuttaa vakavia vammoja.

ENNALTA EHKÄISEMINEN

- Älä koskaan hengitä kompressorin ilmaa suoraan kompressorista tai siihen kytketyn hengityslaitteen kautta. Huolehdi, että työskentelyalueella on kunnollinen tuuletus.
- Lue ruiskutettavan materiaalin pakkaustekstit sekä erilliset turvallisuusohjeet ja noudata niitä. Käytä nimenomaan kyseiseen työhön tarkoitettua hengityssuojainta.

VAROITUS

Melun aiheuttamat vaarat



Paineilman aiheuttama vaara



MITÄ VOI TAPAHTUA

Paineilma voi vahingoittaa pehmytkudosta sekä lennähtää hiekkaa, lastuja, irrallisia aineita ja pieniä esineitä kovalla nopeudella, mistä voi seurata vammoja tai omaisuusvahinkoja.

ENNALTA EHKÄISEMINEN

- Käytä aina sivusuojilla varustettuja suojalaseja, kun käytät tai huollat kompressorin.
- Älä koskaan suuntaa suutinta tai ruiskua mihinkään kehon osaan tai muita ihmisiä tai eläimiä kohti.
- Sammuta kompressorin ja laske paine ilmaletkusta aina ennen huoltotoiden aloittamista ja työkalujen tai lisälaitteiden kiinnittämistä.

VAROITUS



Liikkuvien osien aiheuttama vaara

MITÄ VOI TAPAHTUA

Kompressorin toimii automaattisesti, kun painekeytkin on asennossa päällä/automaattinen. Jos huollat tai korjaat kompressorin sen ollessa toiminnassa tai kytkettyä sähköverkkoon, altistat itsesi kompressorin liikkuville osille. Kompressorin liikkuvat osat voivat aiheuttaa vakavia vammoja.

ENNALTA EHKÄISEMINEN

- Irrota kompressorin virtajohto pistorasiasta, tyhjennä säiliö paineilmaasta ja irrota kaikki kytketyt laitteet, ennen kuin teet huolto- tai korjaustoimenpiteitä.

- Älä koskaan käytä kompressoria, jos sen suojuissa tai suojujakansissa on vaurioita tai jos ne puuttuvat.
- Pidä hiukset, vaatteet ja käsineet loitolla liikkuvista osista. Löysät vaatteet, korut tai pitkät hiukset voivat tarttua liikkuviin osiin.
- Ilma-aukoissa voi myös olla liikkuvia osia, joten niitäkin tulee välttää.

VAROITUS

Palovammavaara

VAROITUS

Älä käytä siirrettävää kompressoria, kun ovet ja luukut ovat avoimina.

VAROITUS

Älä avaa hanaa, ennen kuin ilmaletku on kytketty.

MITÄ VOI TAPAHTUA

Kuumien osien, kuten kompressorin pään tai liitäntäputkien, koskettaminen voi aiheuttaa vakavia palovammoja.

ENNALTA EHKÄISEMINEN

- Älä koske kuumeneviin osiin käytön aikana tai heti käytön jälkeen. Älä kosketa suojiin tai tee huoltotoimenpiteitä, ennen kuin kompressori on jäähtynyt.
- Käsittely ja nostaminen: pidä kahvasta vain kompressoria siirrettäessä tai kuljetettaessa.
- Loukkaantumisen välttämiseksi älä kosketa sylinteriä, sylinterikanntaa, poistoletkua tai muita kuumenneita osia kompressorin käydessä tai tunnin sisällä sen sammuttamisesta.

VAROITUS

Kuljetus

- a Enimmäiskaltevuus vedettäessä on korkeintaan 30°.
- b Älä käytä vetämiseen ajoneuvoja.
- c Älä altista kompressoria syttymis-, räjähdys- tai syöpymisvaaran aiheuttaville aineille.

SANASTO

CFM: Kuutiotalkkaa minuutissa (cubic feet per minute).

SCFM: Ilman virtauksen yksikkö (standard cubic feet per minute)

PSIG: Paineen mittayksikkö (pounds per square inch gauge).

KÄYNNISTYSPAINE: Kun moottori ei ole käynnissä, ilmasäiliön paine laskee sitä mukaa, kun lisälaitetta tai työkalua käytetään. Kun säiliön paine laskee tietylle tasolle, moottori käynnistyy automaattisesti. Tätä tasoa kutsutaan käynnistyspaineeksi.

KATKAISUPAINE: Kun kompressori käynnistetään, moottori käynnistyy ja nostaa säiliön ilmanpainetta. Ilmanpaine kohoaa, kunnes moottori sammuu automaattisesti - toiminto suojaaa säiliötä sille suunniteltua

suuremmalta paineelta. Paineita, jossa moottori sammuu, kutsutaan katkaisupaineeksi.

KÄYTTÖSUHDE

Kaikkien Makitan valmistamien ilmakompressorien käyttösuhteeksi suositellaan enintään 50 %. Tämä tarkoittaa sitä, että jos kompressori pumpkaa ilmaa yhden tunnin aikana enemmän kuin 50 % ajasta, kyseessä on väärinkäyttö, sillä kompressorin teho on liian alhainen tarvittavaan ilmamäärään nähden.

YLEISIÄ TIETOJA

Tässä kompressorissa on kestävä ja huoltovapaa öljytön pumpppu.

Tätä kompressoria voidaan käyttää arvoiltaan soveltuvien paineilmanalaimien ja -nitojen kanssa. Näitä laitteita varten kompressorissa on paineensäätimet.

VAROITUS:

Älä koskaan käytä kompressoria muiden kuin arvoiltaan soveltuvien paineilmanalaimien tai -nitojen kanssa. Kompressorin käyttäminen muihin tarkoituksiin voi johtaa omaisuus- ja henkilövahinkoihin.

Käytä tarvittaessa erillisiä ilmapuuntimia, jotka säätelevät ilmaa ja/tai poistavat kosteutta ja likaa.

VASTAANOTTOTARKASTUS

VAURIOT: Kompressorit koekäytetään ja tarkastetaan huolellisesti, ennen kuin ne lähetetään eteenpäin. Epäasiallinen käsittely kuljetuksen aikana voi vahingoittaa kompressoria ja aiheuttaa toimintahäiriöitä.

Tarkasta heti lähetetyksen saavuttua, että laitteistossa ei ole näkyviä tai piileviä vaurioita, jotta välttyä vaurioiden korjaamisesta aiheutuvilta kustannuksilta. Laitteisto tulee tarkastaa riippumatta siitä, näkykö pakkauksessa vaurioita vai ei. Jos tuote toimitettiin suoraan ovellesi, kerro mahdollisista vahingoista kuljetusliikkeelle ja sovi laitteiston tarkastamisesta välittömästi.

SÄILYTYS

Ennen kuin viet kompressorin säilytykseen, tee seuraavat toimet:

1. Lue kohdat "Huolto" ja "Toimintaohjeet" uudelleen ja tee tarvittavat huoltotoimenpiteet. Muista tyhjentää säiliö vedestä.
2. Suojaa virtajohto ja ilmaletku vahingoittumiselta (kuten tallautumiselta tai liiskautumiselta).

Säilytä kompressoria puhtaassa ja kuivassa paikassa.

KÄYTTÖKUVAAUS

TYHJENNYSVENTTIILI: Tyhjennysventtiili sijaitsee ilmasäiliön pohjassa ja sillä tyhjennetään tiivistynyt kosteus kunkin käyttökerran jälkeen.

TERMOSTAATTI:

Sähkömoottorissa on manuaalisesti palautettava termostaatti. Jos moottori ylikuumentuu jostakin syystä, termostaatti sammuttaa moottorin. Käännä painekytin pois päältä ja odota, että laite jäähtyy, ennen kuin käynnistät sen uudelleen nollauspainikkeella.

MOOTTORIN LÄMPÖKATKAISIN:

Kun moottorille asetettu raja-arvo ylittyy, termostaatti avautuu ja moottori sammuu automaattisesti. Moottorin täytyy antaa jäähtyä, ennen kuin se käynnistetään uudelleen. Kompressorin käynnistyä automaattisesti moottorin käynnistyttyä.

ON/AUTO - OFF -KYTKIN:

Käännä tämä kytkin ON-asentoon, kun haluat, että painekeytkimeen tulee virta. Katkaise virta kääntämällä kytkin OFF-asentoon, kun et käytä kompressoria tai jos jätät kompressorin ilman valvontaa.

IMUSUODATIN:

Tämä suodatin puhdistaa kompressorin puhtaan imettävän ilman. Suodatin on pidettävä puhtana eikä sitä saa tukkia. Lisätietoja on kohdassa "Huolto".

KOMPRESSORIN PUMPPU:

Sylinterissä ylös- ja alaspäin liikkuva mäntä puristaa ilman tiiviiksi. Ilmaa imetään sylinteriin imuventtiilin kautta, kun mäntä on ala-asennossa. Poistoventtiili pysyy tällöin kiinni.

Ilma tiivistyy, kun mäntä siirtyy yläasentoon. Imuventtiili sulkeutuu ja tiivistynyt ilma pakotetaan poistoventtiiliin, liitäntäputkeen ja takaiskuventtiiliin kautta ilmasäiliöön. Paineilma ei ole käytettävissä, ennen kuin kompressorin on nostanut säiliön ilmanpaineen ilmaliiittänessä tarvittavalle tasolle.

TAKAISKUVENTTIILI:

Kun kompressorin on toiminnassa, takaiskuventtiili on auki ja päästää paineilmaa säiliöön. Kun kompressorin saavuttaa katkaisupaineen, takaiskuventtiili sulkeutuu, jolloin säiliössä oleva ilma ei pääse ulos.

PAINEKYTKIMEN TYHJENNYSVENTTIILI:

Painekeytkimen tyhjennysventtiili sijaitsee painekeytkimen sivussa. Venttiili tyhjentää paineilman automaattisesti kompressorin päästä ja liitäntäputkesta, kun kompressorin saavuttaa katkaisupaineen.

PAINEKYTKIN:

Painekeytkin käynnistää moottorin automaattisesti, kun säiliön ilmanpaine laskee tehtaalla määritettyyn käynnistyspaineeseen. Painekeytkin pysäyttää moottorin, kun ilmasäiliön paine saavuttaa tehdasasetuksen mukaisen katkaisupaineen.

YLIPAINEVENTTIILI:

Jos painekeytkin ei pysäytä kompressoria määritetyssä katkaisupaineessa, ylipaineventtiili suojaa laitteistoa liialta paineelta avautumalla, kun siihen kohdistuu tehdasasetuksen mukainen paine, joka on hieman painekeytkimen katkaisupainetta korkeampi.

LÄHTÖLIITÄNNÄN PAINEMITTARI:

Lähtöliitännän painemittari näyttää paineensäätimen lähtöliitännästä saatavan ilmanpaineen. Paineensäädin säätelee tätä painetta ja se on aina yhtä suuri tai pienempi kuin säiliön paine. Lisätietoja on kohdassa "Toimintaohjeet".

SÄILIÖN PAINEMITTARI:

Säiliön painemittari näyttää säiliön ilmanpaineen.

SÄÄDIN:

Ilmasäiliöstä tulevaa painetta säädellään paineensäätimellä. Voit lisätä painetta kääntämällä säädintä myötäpäivään ja vähentää sitä kääntämällä säädintä vastapäivään. Voit välttää turhan hienosäädön painearvon muuttamisen jälkeen, kun lähestyt haluamaasi painearvoa matalamman paineen suunnasta. Kun lasket painearvoa edellistä arvoa matalammaksi, laske paine ensin haluamaasi tasoa alemmaksi. Erilaisten lisälaitteiden paineentarpeet vaihtelevat, joten on mahdollista, että painetta täytyy säätää erikseen kunkin laitteen kohdalla käytön aikana.

PAINEILMALIITÄNTÄ; HP-merkintä

Vain korkeapaineisia paineilmatyökaluja varten
Liitännän suurin paine; 2,6 MPa (26 bar)

PAINEILMALIITÄNTÄ; RP-merkintä

Vain normaalipaineisia paineilmatyökaluja varten
Liitännän suurin paine; 0,9 MPa (9 bar)

ASENNUKSEN JA KÄYTTÖÖNOTTOIMET

KOMPRESSORIN SIOJITTAMINEN

Sijoita kompressorin puhtaaseen, kuivaan ja hyvän ilmanvaihdon omaavaan paikkaan. Ilmansuodatinta ei saa tukkia, jotta kompressorin ilmansaanti ei häiriinny. Kompressorin tulee sijoittaa vähintään 0,3 m:n etäisyydelle seinistä tai muista esteistä, jotka voivat vaikuttaa kompressorin ilmanottoon. Kompressorin pää ja kotelo on suunniteltu siten, että laite jäähtyy asianmukaisesti. Jos ilmankosteus on suuri, ylimääräinen kosteus voidaan poistaa asentamalla ilmaliiitännän sovittimeen ilmansuodatin. Noudata ilmansuodattimen pakkauksessa olevia asennusohjeita. Sijoita kompressorin tasaiselle alustalle niin, että se lepää kumijalkojensa varassa.

VOITELU

Tämä kompressorissa on kestävä ja huoltovapaa öljytön pumppu.

Virtalähde

Käytä kompressoria arvokilvessä ilmoitetuilla jännitteillä. Poikkeamien tulee pysyä alueella $\pm 5\%$. Jos kompressorilla käytetään nimellijännitettä suuremmalla jännitteellä, moottori käy tavallista nopeammilla kierroksilla, jolloin laitteisto voi vahingoittua tai moottori rikkoutua.

Jatkojohdot

Liitä ilmaletkuun lisäosa jatkojohdon käyttämisen sijaan, sillä jatkojohdon käyttäminen voi alentaa jännitettä, heikentää tehoa ja saada moottorin ylikuumentumaan. Alhainen jännite voi vahingoittaa moottoria.

Jos jatkojohdon käytölle ei ole vaihtoehtoja:

- Käytä vain hyväksytyjä ja maadoitettuja jatkojohtoja, joissa on kolme johdinta ja kosketinta. Kytke johto vain sopivaan pistorasiaan.

- Varmista, että jatkojohto on hyvässä kunnossa.

Seuraavassa taulukossa on esitetty jatkojohtojen paksuuksien VÄHIMMÄISVAATIMUKSET:

Ampeerien raja-arvot (220 - 240 V)	Johdon pituus metreissä					
	10 m 25 jalkaa	15 m 50 jalkaa	20 m 75 jalkaa	30 m 100 jalkaa	50 m 150 jalkaa	60 m 200 jalkaa
0 - 5 A	1,5 mm ²	1,5 mm ²	1,5 mm ²	2,5 mm ²	4 mm ²	4 mm ²
5,1 - 8 A	1,5 mm ²	1,5 mm ²	2,5 mm ²	4 mm ²	4 mm ²	4 mm ²
8 - 12 A	2,5 mm ²	2,5 mm ²	4 mm ²	Ei suositella		

Putket

Muoviputkia, kuten PVC-putkia, ei ole tarkoitettu käytettäväksi paineilman kanssa. Muoviputki voi rikkoutua ilmanpaineen vaikutuksesta, vaikka sille olisikin määrityt enimmäispaine. Käytä ilmansiiroon vain metalliputkia. Jos putken asentaminen on tarpeen, käytä samankokoista tai suurempaa putkea kuin ilmasäiliön liitännässä. Jos putki on liian pieni, se rajoittaa ilman virtausta. Jos putkisto on yli 30 metriä pitkä, käytä edellistä suurempaa kokoa. Kaiva maan alle tulevat putket routarajan alapuolelle, ja huolehdi, että putkien ympärille ei pääse kertymään kosteutta, joka voi jäättyä. Koeponnista maahan kaivettavat putkistot ennen niiden peittämistä, jotta liitoskohtien mahdolliset vuodot löytyvät.

Maadoitusohje

⚠ VAROITUS: Sähköiskuvaara. Maadoitus vähentää sähköiskun vaaraa oikosulun sattuessa, koska sähkövirta pääsee siirtymään pois maadoitusjohdinta pitkin. Tämä kompressori tulee maadoittaa asianmukaisesti.

Tämän kompressorin virtajohto on varustettu maajohtimella ja maadoitettulla pistokkeella. Kompressorin pistoke tulee kytkeä pistorasiaan, joka on asennettu ja maadoitettu paikallisten säädösten ja asetusten mukaan. Pistorasian tulee olla yhteensopiva pistokkeen kanssa. **ÄLÄ KÄYTÄ SOVITTIMIA.**

Tarkasta johto ja pistoke aina ennen käyttöä. Älä käytä niitä, jos niissä näkyy vaurioita.

VAARA:

Puutteellinen maadoitus voi johtaa sähköiskuun. Älä tee mukana toimitettuun pistokkeeseen muutoksia. Jos pistoke ei sovi pistorasiaan, pyydä ammattitaitoista sähköasentajaa asentamaan sopiva pistorasia.

TOIMINTAOHJEET

Päivittäinen tarkistusluettelo

LETKUJEN KIINNITTÄMINEN

⚠ VAROITUS:

Turvallisuuden laiminlyöminen aiheuttama vaara. Pitele letkusta tiukasti kiinni, kun kiinnität tai irrotat sitä, jotta letku ei pääse ponnahtamaan irti. Letkun hallinnan menettäminen voi johtaa omaisuus- ja henkilövahinkoihin.

1. Varmista, että painekeytkin on OFF-asennossa ja että paineensäätimen sulkuventtiili on kiinni, ennen kuin kiinnität ilmaletkun tai lisälaitteita.
2. Kiinnitä letku ja lisälaitteet. Liian suuri ilmanpaine aiheuttaa puhkeamisvaaran. Tarkasta ilmanpainetyökälujen ja lisälaitteiden valmistajien määrittämät enimmäispaineet. Paineensäätimen lähtöliitännän paine ei saa koskaan ylittää määritettyä enimmäispainetta.
3. Käännä painekeytkin ON/AUTO-asentoon ja odota, että säiliön paine kohoaa. Moottori pysähtyy, kun säiliön paine saavuttaa katkaisupaineen.
4. Avaa paineensäädin kääntämällä sitä myötäpäivään. Säädä paine oikeaan asetukseen paineensäätimellä. Kompressori on nyt käyttövalmis.
5. Käytä kompressoria ainoastaan hyvin tuuletetuissa tiloissa, joissa ei ole höyrystynyttä bensiiniä tai liuottimia. Älä käytä kompressoria ruiskutusalueen läheisyydessä.

Lopputoimet:

LETKUJEN IRROTTAMINEN

⚠ VAROITUS:

- Turvallisuuden laiminlyöminen aiheuttama vaara.** Pitele letkusta tiukasti kiinni, kun kiinnität tai irrotat sitä, jotta letku ei pääse ponnahtamaan irti. Letkun hallinnan menettäminen voi johtaa omaisuus- ja henkilövahinkoihin.
6. Käännä painekeytkin OFF-asentoon.
 7. Laske säiliöstä paine kokonaan ulos ilmanpainetyökälun tai lisälaitteen avulla.
 8. Irrota ilmanpainetyökälu tai lisälaitte.
 9. Tyhjennä ilmasäiliö vedestä säiliön pohjassa olevan tyhjennyskanan avulla. **SÄILIÖN TIIVISTYY VETTÄ. JOS VETTÄ EI POISTETA, SÄILIÖ RUOSTUU, JOLLOIN SE HEIKKENEE JA SAATTAA PUHJETA.**

Huomautus:

- Jos tyhjennysventtiili on tukkeessa, laske säiliön paine ulos. Tämän jälkeen hana voidaan irrottaa, puhdistaa ja asentaa uudelleen paikalleen.
10. Sulje tyhjennyskana, kun olet tyhjentänyt säiliön vedestä. Kompressori on nyt valmis säilytystä varten.

⚠ VAROITUS:

Tyhjennä ilmasäiliö vedestä kunnolla. Ilmasäiliön puutteellinen tyhjentäminen voi johtaa ruostevaurioihin ja säiliön puhkeamiseen. Säiliön puhkeaminen voi johtaa henkilö- ja omaisuusvahinkoihin. Alkuperäisen varoituksen

lisäohjeessa toistetaan yllä olevan kohdan 9 varoitus. Varoituksessa ei kehoiteta sammuttamaan kompressoria.

KUNNOSSAPITO

VAROITUS:

Älä koskaan käytä normaalista poikkeavasti toimivaa kompressoria.

Jos kompressorin toiminta vaikuttaa poikkeavan normaalista äänien tai värinän suhteen, lopeta kompressorin käyttö välittömästi ja toimita se korjattavaksi Makitan valtuutettuun huoltokeskukseen.

VAROITUS:

Käytä vain alkuperäisiä Makita-varaosia. Muiden kuin Makitan valmistamien varaosien käyttäminen saattaa mitätöidä takuun sekä johtaa laitteen vaurioitumiseen ja henkilövahinkoihin. Alkuperäisiä Makita-varaosia saa valtuutetuilta jälleenmyyjiltä.

VAROITUS:

LAITE TOIMII AUTOMAATTISESTI, KUN SEN VIRTA ON KYTKETTYNÄ. HUOLTOTÖIDEN TEKIJÄ VOI ALTISTUA JÄNNITTEELLE, PAINELMALLE JA LIIKKUVILLE OSILLE. HENKILÖVAHINGOT OVAT MAHDOLLISIA. IRROTA KOMPRESSORIN VIRTAJOHTO PISTORASIASTA JA LASKE PAINE POIS ILMASÄILIÖSTÄ, ENNEN KUIN TEET HUOLTO- TAI KORJAUSTOIMIA.

Voit varmistaa kompressorin tehokkaan toiminnan ja pitkän käyttöiän laatimalla säännöllisen huolto-ohjelman

1) VIANMÄÄRITYS

ONGELMA	SYY	KORJAUSTOIMI
Laite ei käynnisty.	Sulake on palanut tai vikavirtasuoja toiminut. Virtajohto on irronnut. Jatkojohto on vääränlainen. Moottori on ylikuumentunut.	Selvitä syy ja vaihda sulake tai käännä vikavirtakatkaisijaa. Tarkista virtajohto: enintään 15 m, vähintään 14 ga. Käytä nollauspainiketta tai odota automaattista nollautumista.
Paine on matala.	Ylipaineventtiili vuotaa. Ilmansuodatin on tukkeessa. Takaiskuventtiili on viallinen.	Tarkista venttiili manuaalisesti vetämällä renkaita ylöspäin. Jos ongelma ei poistu, vaihda venttiili. Puhdista tai vaihda venttiili. Vaihda takaiskuventtiili.
Ylipaineventtiili avautuu.	Painekeytkin on viallinen tai säädetty väärin.	Tarkista säädöt ja vaihda tilalle uusi painekeytkin, jos ongelma ei korjaannu.

ja noudattamalla sitä. Seuraava huolto-ohjelma on laadittu kompressorille, joka on päivittäisessä käytössä normaaleissa työskentelyolosuhteissa. Ohjelmaa kannattaa tarvittaessa muuttaa vastaamaan kompressorin käyttöolosuhteita. Muutokset riippuvat käyttötuntien määrästä ja työskentelyolosuhteista. Erittäin likaisissa tai vaativissa olosuhteissa käytettävät kompressorit täytyy huoltaa tavallista useammin.

HUOLTO-OHJELMA

1. Tyhjennä säiliö vedestä ja kuivaa kosteudenerottimet ja muuntimet, jos sellaisia on käytössä.
2. Tarkasta, ilmeneekö laitteessa epätavallista tärinää tai ääniä.
3. Tarkasta kaikkien varoventtiilien toiminta manuaalisesti.

VAROITUS: Puhkeamisvaara.

Tarkista ylipaineventtiili. Ylipaineventtiilin puutteellinen toiminta voi johtaa liian suureen paineeseen säiliössä, jolloin säiliö voi puhjeta tai räjähtää ja aiheuttaa henkilö- ja omaisuusvahinkoja.

4. Tarkasta ilmansuodatin ja vaihda se tarvittaessa uuteen.
5. Tarkasta, onko letkuissa tai liitännöissä vuotoja ja korjaa ne tarvittaessa. Tarkista vuosittain tai jos ongelmia ilmenee:
 - Tarkasta kompressorin pumpun imu- ja poistovenntiilit.
 - Tarkasta takaiskuventtiilin kunto. Vaihda tilalle uusi venttiili, jos vanha on rikki tai kulunut.
6. Varmista, että kaikki ruuvit, pultit ja suojukset ovat tiukasti kiinni. Tarkista ne säännöllisesti.

VAROITUS:

Varmista, että kaikki ruuvit, pultit ja suojukset ovat tiukasti kiinni. Ruuvien, suojen tai suojusten irtoaminen voi johtaa henkilö- ja omaisuusvahinkoihin.

2) VAROITUS

Väärät kuljetus- ja nostomenetelmät voivat vahingoittaa laitetta.

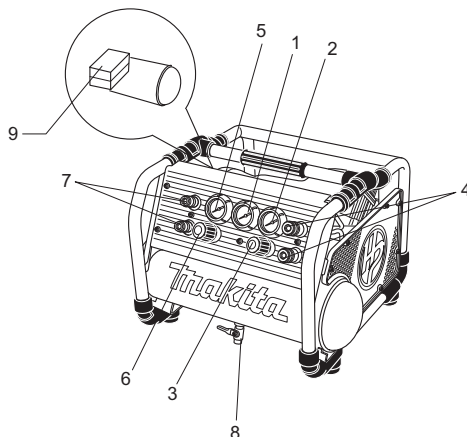
Päivittäinen huolto

1. Aina ennen käyttöä:
 - A Tarkista kaikkien pulttien ja mutterien kireys.
 - B Tarkista, ilmeneekö epätavallisia ääniä tai tärinää.
2. Aina käytön jälkeen:

Tyhjennä ilmasäiliö ilmasta. Laske ilmasäiliöön tiivistynyt vesi ulos avaamalla ilmasäiliön pohjassa oleva tyhjennyshana.
3. Viikoittainen huolto:
 - A Tarkista ylipaineventtiilin toiminta.
 - B Tarkista, että ilmanpaine on 2,8 Mpa.
 - C Puhdista ilmansuodatin.
4. Kuukausittainen huolto:
 - A Varmista järjestelmän tiiveys sivelemällä saippuavettä kaikkiin liitoksiin. Kiristä vuotavat liitokset.
 - B Tarkista, että pultit ja mutterit pysyvät kiinni.
 - C Vaihda uusi ilmansuodatin.
 - D Puhdista kompressorin pinta.
5. Neljännesvuosittainen huolto:
 - A Tarkista, näkykö sylinterissä tai männässä kulumia.

Περιγραφή γενικής όψης

1. Μετρητής πίεσης δεξαμενής αέρα
2. Μετρητής ρυθμιζόμενης πίεσης "HP"
3. Ρυθμιστής αέρα "HP"
4. Ταχυσύνδεσμοι "HP" (Εξοδος αέρα)
5. Μετρητής ρυθμιζόμενης πίεσης "RP"
6. Ρυθμιστής αέρα "RP"
7. Ταχυσύνδεσμος "RP" (Εξοδος αέρα)
8. Βαλβίδα αποστράγγισης
9. Διακόπτης Πίεσης



ΠΡΟΔΙΑΓΡΑΦΕΣ

Μοντέλο	AC310H
ΜΕΓ. Ισχύς Εισόδου	1800 W
SCFM @ 40 PSIG (L/min @ 2,8 bar)	3,7 (106 L)
SCFM @ 90 PSIG (L/min @ 6,2 bar)	3,6 (101 L)
SCFM @ 300 PSIG (L/min @ 21 bar)	2,7 (77 L)
Πίεση ενεργοποίησης	2,3 MPa (23 bar)
Πίεση διακοπής	2,8 MPa (28 bar)
Εσωτερική διάμετρος x Διαδρομή x Ποσότητα	62 mm x 31 mm x 1,45 mm x 10 mm x 1
Φάση μονής τάσης	220 - 240 V AC
Hz	50 Hz
Κινητήρας ΣΑΛ	1.420 min ⁻¹
Λίπανση	Χωρίς λάδι
Μέγεθος δεξαμενής	1,6 gal (6,2 L)
Βάρος	36 kg (79,4 lb)
Διαστάσεις (Μ x Υ x Π)	18-3/4" x 14-3/4" x 20" (476 x 375 x 507 mm)
Μέγιστη Πίεση Εξόδου "HP" (Για Αποκλειστική Χρήση Πνευματικών Εργαλείων Υψηλής Πίεσης)	2,6 MPa (26 bar)
Μέγιστη Πίεση Εξόδου "RP" (Για Αποκλειστική Χρήση Πνευματικών Εργαλείων Κανονικής Πίεσης)	0,9 MPa (9 bar)
Θόρυβος	LWA 90 dB

- Λόγω του συνεχόμενου προγράμματος που εφαρμόζουμε για έρευνα και ανάπτυξη, τα τεχνικά χαρακτηριστικά στο παρόν έντυπο υπόκεινται σε αλλαγή χωρίς προειδοποίηση.
- Σημείωση: Τα τεχνικά χαρακτηριστικά ενδέχεται να διαφέρουν ανάλογα με τη χώρα.

Ελάχιστη Απαίτηση Κυκλώματος 7 AMPs

* Προτιμάται η χρήση διακόπτη κυκλώματος. Χρησιμοποιήστε μόνο μια ασφάλεια ή ένα διακόπτη κυκλώματος της ίδιας διαβάθμισης με το κύκλωμα διακλάδωσης με το οποίο λειτουργεί ο αεροσυμπιεστής. Αν ο αεροσυμπιεστής συνδέεται με κύκλωμα που προστατεύεται από ασφάλειες, χρησιμοποιήστε ασφάλειες χρονοκαθυστερήσεως.

ΠΡΟΣΟΧΗ

Διαβάστε προσεκτικά τις Οδηγίες Ασφαλείας και ΟΛΕΣ τις οδηγίες πριν από το χειρισμό.

Σύμβολα

Παρακάτω παρουσιάζονται τα σύμβολα που χρησιμοποιούνται για τον εξοπλισμό. Βεβαιωθείτε ότι κατανοείτε τη σημασία τους πριν από τη χρήση.



..... Διαβάστε το εγχειρίδιο οδηγιών.



..... Κίνδυνος ηλεκτροπληξίας.
Προσοχή: πριν κάνετε οποιαδήποτε εργασία στον συμπίεστή πρέπει να τον αποσυνδέσετε από την παροχή ηλεκτρικού ρεύματος.



..... Κίνδυνος υψηλών θερμοκρασιών.
Προσοχή: ο συμπίεστής περιέχει ορισμένα εξαρτήματα που μπορεί να φτάσουν σε υψηλές θερμοκρασίες.



..... Κίνδυνος ακούσιας εκκίνησης.
Προσοχή, ο συμπίεστής μπορεί να ξεκινήσει να λειτουργεί αυτόματα σε περίπτωση γενικής διακοπής ρεύματος και επακόλουθης επαναφοράς.



..... Να φοράτε γυαλιά προστασίας.



..... Μόνο για τις χώρες της ΕΕ
Μην απορρίπτετε ηλεκτρικές συσκευές στον κάδο οικιακών απορριμάτων!
Σύμφωνα με την ευρωπαϊκή οδηγία 2002/96/ΕΚ περί ηλεκτρικών και ηλεκτρονικών συσκευών και την ενσωμάτωση της στο εθνικό δίκαιο, οι ηλεκτρικές συσκευές πρέπει να συλλέγονται ξεχωριστά και να επιστρέφονται για ανακύκλωση με τρόπο φιλικό προς το περιβάλλον.

ΣΗΜΑΝΤΙΚΕΣ ΟΔΗΓΙΕΣ ΑΣΦΑΛΕΙΑΣ

⚠ ΠΡΟΕΙΔΟΠΟΙΗΣΗ

ΔΙΑΒΑΣΤΕ ΚΑΙ ΚΑΤΑΝΟΗΣΤΕ ΟΛΕΣ ΤΙΣ ΟΔΗΓΙΕΣ

Αν δεν ακολουθήσετε όλες τις οδηγίες που παρατίθενται παρακάτω, υπάρχει κίνδυνος ηλεκτροπληξίας, πυρκαγιάς ή/και σοβαρού τραυματισμού.



ΦΥΛΑΞΤΕ ΑΥΤΕΣ ΤΙΣ ΟΔΗΓΙΕΣ.

ΧΩΡΟΣ ΕΡΓΑΣΙΑΣ

1. Να διατηρείτε το χώρο εργασίας καθαρό και καλά φωτισμένο. Σε ακατάστατους και σκοτεινούς χώρους προκαλούνται ατυχήματα.
2. Μη θέτετε τα ηλεκτρικά εργαλεία σε λειτουργία σε εκρηκτικές ατμόσφαιρες, όπως παρουσία εύφλεκτων υγρών, αερίων ή σκόνης. Τα ηλεκτρικά εργαλεία δημιουργούν σπινθήρες που μπορεί να προκαλέσουν ανάφλεξη της σκόνης ή των ατμών.
3. Να απομακρύνετε τους μη έχοντες εργασία, τα παιδιά και τους επισκέπτες όταν χειρίζεστε ένα ηλεκτρικό εργαλείο. Αν αποσπαστεί η προσοχή σας, μπορεί να χάσετε τον έλεγχο. Προστατεύστε τους άλλους στο χώρο εργασίας από συντρίμια όπως θραύσματα και σπινθήρες. Παράσχετε φράγματα ή προστατευτικά όπου χρειάζεται. Απαγορεύεται η παρουσία παιδιών στο χώρο εργασίας.
4. Η κατάλληλη θερμοκρασία δωματίου είναι από +5°C έως +30°C. (0°C έως + 40°C το Μέγιστο)

⚠ ΠΡΟΕΙΔΟΠΟΙΗΣΗ!

Η ΕΣΦΑΛΜΕΝΗ ΛΕΙΤΟΥΡΓΙΑ Ή ΣΥΝΤΗΡΗΣΗ ΤΟΥ ΠΡΟΪΟΝΤΟΣ ΑΥΤΟΥ ΜΠΟΡΕΙ ΝΑ ΠΡΟΚΑΛΕΣΕΙ ΤΟ ΣΟΒΑΡΟ ΤΡΑΥΜΑΤΙΣΜΟ ΚΑΙ ΤΗ ΦΘΟΡΑ ΙΔΙΟΚΤΗΣΙΑΣ.

ΔΙΑΒΑΣΤΕ ΚΑΙ ΚΑΤΑΝΟΗΣΤΕ ΟΛΕΣ ΤΙΣ ΠΡΟΕΙΔΟΠΟΙΗΣΕΙΣ ΚΑΙ ΤΙΣ ΟΔΗΓΙΕΣ ΛΕΙΤΟΥΡΓΙΑΣ ΠΡΙΝ ΧΡΗΣΙΜΟΠΟΙΗΣΤΕ ΤΟΝ ΕΞΟΠΛΙΣΜΟ ΑΥΤΟ.

⚠ ΠΡΟΕΙΔΟΠΟΙΗΣΗ!

Κίνδυνος Επισφαλούς Λειτουργίας ΤΙ ΜΠΟΡΕΙ ΝΑ ΣΥΜΒΕΙ

Η επισφαλής λειτουργία του αεροσυμπιεστή σας μπορεί να προκαλέσει σοβαρό τραυματισμό σε εσάς και σε άλλους.

ΠΩΣ ΝΑ ΤΟΝ ΑΠΟΦΥΓΕΤΕ

- Διαβάστε και κατανοήστε όλες τις οδηγίες και τις προειδοποιήσεις στο εγχειρίδιο αυτό.
- Εξοικειωθείτε με τη λειτουργία και τις ρυθμίσεις του αεροσυμπιεστή.
- Απομακρύνετε όλους τους ανθρώπους, ζώα και εμπόδια από την περιοχή λειτουργίας.
- Πάντα να απομακρύνετε τα παιδιά από τον αεροσυμπιεστή.
- Μη χειρίζεστε το προϊόν όταν είστε κουρασμένοι ή όταν βρίσκεστε υπό την επήρεια αλκοόλ ή φαρμάκων. Να βρίσκεστε πάντα σε εγρήγορση.
- Ποτέ να μην αγνοείτε τα χαρακτηριστικά ασφαλείας αυτού του προϊόντος.
- Εξοπλίστε την περιοχή λειτουργίας με ένα πυροσβεστήρα.
- Να μη θέτετε σε λειτουργία μηχανήμα με εξαρτήματα που λείπουν, είναι σπασμένα ή μη πιστοποιημένα.

⚠ ΠΡΟΕΙΔΟΠΟΙΗΣΗ!

Κίνδυνος Διάρρηξης της Δεξαμενής Αέρα

ΤΙ ΜΠΟΡΕΙ ΝΑ ΣΥΜΒΕΙ

Οι συνθήκες που αναφέρονται παρακάτω μπορεί να οδηγήσουν σε εξασθένηση της δεξαμενής, και ΝΑ



ΠΡΟΚΑΛΕΣΟΥΝ ΕΚΡΗΞΗ ΤΗΣ ΔΕΞΑΜΕΝΗΣ ΜΕ ΑΠΟΤΕΛΕΣΜΑ ΤΟ ΣΟΒΑΡΟ ΤΡΑΥΜΑΤΙΣΜΟ ΣΑΣ Ή ΤΟΝ ΤΡΑΥΜΑΤΙΣΜΟ ΑΛΛΩΝ.

- Η παράλειψη της σωστής αποστράγγισης του συμπιεσμένου νερού από τη δεξαμενή, προκαλεί σκουριά και λέπτυνση των τοιχωμάτων της δεξαμενής.
- Μετατροπές ή απόπειρες επισκευής στη δεξαμενή.
- Αυθαίρετες μετατροπές στο διακόπτη πίεσης, στη βαλβίδα ασφαλείας, ή σε οποιαδήποτε άλλα εξαρτήματα, τα οποία ελέγχουν την πίεση της δεξαμενής.

ΠΩΣ ΝΑ ΤΟΝ ΑΠΟΦΥΓΕΤΕ

- Αποστραγγίστε τη δεξαμενή αέρα καθημερινά ή μετά από κάθε χρήση. Αν υπάρξει διαρροή στη δεξαμενή αέρα, αντικαταστήστε την αμέσως με νέα δεξαμενή ή αντικαταστήστε όλο το συμπιεστή.
- Μη τρυπήσετε, συγκολλήσετε ή κάνετε άλλες μετατροπές στη δεξαμενή αέρα, γιατί θα εξασθενήσει. Η δεξαμενή μπορεί να πάθει ρήξη ή να εκραγεί. Αντικαταστήστε με μια νέα δεξαμενή αέρος.
- Ακολουθήστε τις συστάσεις των κατασκευαστών του εξοπλισμού και ποτέ να μην υπερβαίνετε τη μέγιστη επιτρεπτή ονομαστική πίεση των εξαρτημάτων. Ποτέ να μη χρησιμοποιείτε το συμπιεστή για να φουσκώνετε μικρά αντικείμενα χαμηλής πίεσης όπως παιδικά παιχνίδια, μπάλες ποδοσφαίρου, μπάλες μπάσκετ, κλπ.

ΠΡΟΕΙΔΟΠΟΙΗΣΗ

Κίνδυνος Διάρρηξης Προσαρτημάτων και Εξαρτημάτων



ΤΙ ΜΠΟΡΕΙ ΝΑ ΣΥΜΒΕΙ

Αν υπερβείτε την ονομαστική πίεση των εργαλείων αέρος, των πιστολιών ψεκασμού, των εξαρτημάτων που λειτουργούν με αέρα, των λάστιχων ΚΑΙ άλλων αντικειμένων που φουσκώνουν, αυτά μπορεί να εκραγούν ή να διαλυθούν στον αέρα με αποτέλεσμα το σοβαρό τραυματισμό σας και τον τραυματισμό άλλων.

ΠΡΟΕΙΔΟΠΟΙΗΣΗ

Κίνδυνος Ηλεκτροπληξίας.



ΤΙ ΜΠΟΡΕΙ ΝΑ ΣΥΜΒΕΙ

- Ο αεροσυμπιεστής σας λειτουργεί με ηλεκτρισμό. Όπως και με οποιαδήποτε άλλη συσκευή που λειτουργεί με ηλεκτρισμό, η λανθασμένη χρήση του μπορεί να προκαλέσει ηλεκτροπληξία.
- Ηλεκτρική γείωση: η παράλειψη παροχής επαρκούς γείωσης σε αυτό το προϊόν μπορεί να αυξήσει τον κίνδυνο ηλεκτροπληξίας.

ΠΩΣ ΝΑ ΤΟΝ ΑΠΟΦΥΓΕΤΕ

- Οποιοσδήποτε ηλεκτρικές καλωδιώσεις ή επισκευές που απαιτούνται σε αυτό το προϊόν πρέπει να εκτελούνται από προσωπικό εξειδικευμένων υπηρεσιών ή από διπλωματούχο ηλεκτρολόγο, σύμφωνα με τους εθνικούς και τοπικούς ηλεκτρικούς κώδικες.
- Βεβαιωθείτε ότι το ηλεκτρικό κύκλωμα με το οποίο είναι συνδεδεμένος ο συμπιεστής παρέχει κατάλληλη

ηλεκτρική γείωση, σωστή τάση και επαρκή προστασία ασφαλείων.

- Ποτέ μη λειτουργείτε το συμπιεστή έξω όταν βρέχει, ή σε υγρό περιβάλλον.
- Ποτέ μη λειτουργείτε το συμπιεστή με προστατευτικά ή καλύμματα που έχουν φθαρεί ή αφαιρεθεί.

ΠΡΟΕΙΔΟΠΟΙΗΣΗ

Κίνδυνος Έκρηξης ή Φωτιάς



ΤΙ ΜΠΟΡΕΙ ΝΑ ΣΥΜΒΕΙ

Είναι φυσιολογική η δημιουργία σπινθήρα όταν υπάρχουν ηλεκτρικές επαφές με τον κινητήρα και το διακόπτη πίεσης, όποτε ανάβει ή σβήνει ο συμπιεστής. Ποτέ μη λειτουργείτε το συμπιεστή σε περιβάλλον όπου υπάρχουν αναφλέξιμοι ατμοί. Αν αυτό συμβεί μπορεί να προκληθεί σοβαρός τραυματισμός σε εσάς και σε άλλους.

ΠΩΣ ΝΑ ΤΟΝ ΑΠΟΦΥΓΕΤΕ

- Να λειτουργείτε πάντα το συμπιεστή σε μια καλά αεριζόμενη περιοχή, χωρίς ατμούς βενζίνης ή διαλυτικού.
- Αν ψεκάσετε εύφλεκτα υλικά, τοποθετήστε το συμπιεστή σε απόσταση τουλάχιστον 6,1 μέτρα από την περιοχή ψεκασμού.
- Αποθηκεύστε τα εύφλεκτα υλικά σε ασφαλή τοποθεσία μακριά από τον συμπιεστή.

ΠΡΟΕΙΔΟΠΟΙΗΣΗ

Κίνδυνος στην Αναπνοή



ΤΙ ΜΠΟΡΕΙ ΝΑ ΣΥΜΒΕΙ

- Δεν είναι ασφαλές να αναπνέετε τον συμπιεσμένο αέρα από τον συμπιεστή σας. Το ρεύμα αέρος μπορεί να περιέχει διοξειδίο του άνθρακα ή άλλους ατμούς, ή σωματίδια από τη δεξαμενή ή άλλα συστατικά.
- Τα υλικά ψεκασμού όπως η μογιά, τα διαλυτικά μογιάς, το διαλυτικό χρώματος, τα εντομοκτόνα, τα ζιζανιοκτόνα, κτλ., περιέχουν βλαβερούς ατμούς και δηλητήρια.
- Η εισπνοή ατμού από τον συμπιεστή ή από υλικά ψεκασμού μπορεί να προκαλέσει σοβαρό τραυματισμό.

ΠΩΣ ΝΑ ΤΟΝ ΑΠΟΦΥΓΕΤΕ

- Ποτέ να μην εισπνέετε αέρα από τον συμπιεστή, είτε απ'ευθείας είτε από αναπνευστική συσκευή που συνδέεται με τον συμπιεστή. Να εργάζεστε σε περιοχή που είναι εξοπλισμένη με καλό αερισμό από άκρη σε άκρη.
- Διαβάστε και τηρείστε τις οδηγίες ασφαλείας που παρέχονται στην επικέτα ή στο φύλλο πληροφοριών ασφαλείας για το υλικό που ψεκάσετε. Χρησιμοποιήστε ένα εγκεκριμένο αναπνευστήρα που έχει σχεδιαστεί για χρήση με τη δική σας συγκεκριμένη εφαρμογή.

ΠΡΟΕΙΔΟΠΟΙΗΣΗ

Κίνδυνος από θόρυβο



Κίνδυνος από Συμπιεσμένο Αέρα

ΤΙ ΜΠΟΡΕΙ ΝΑ ΣΥΜΒΕΙ

Το ρεύμα του συμπιεσμένου αέρα μπορεί να προκαλέσει φθορά στο μαλακό ιστό, και να ωθήσει προς τα εμπρός ακαθαρσίες, ροκανίδια, ελεύθερα σωματίδια και μικροαντικείμενα, με αποτέλεσμα τη φθορά ιδιοκτησίας ή τον ατομικό τραυματισμό.

ΠΩΣ ΝΑ ΤΟΝ ΑΠΟΦΥΓΕΤΕ

- Να φοράτε πάντα εγκκευμένα γυαλιά ασφαλείας με πλάγια προστατευτικά όταν χρησιμοποιείτε ή συντηρείτε τον συμπιεστή.
- Ποτέ να μην στρέψετε κανένα ακροφύσιο ψεκασμού ή ψεκαστήρα προς οποιοδήποτε μέρος του σώματος ή προς άλλους ανθρώπους ή ζώα.
- Να κλείνετε πάντα τον συμπιεστή και να εκκενώνετε την πίεση από τη γραμμή του αέρα πριν την εκτέλεση της συντήρησης, την προσάρτηση εργαλείων ή εξαρτημάτων.



ΠΡΟΕΙΔΟΠΟΙΗΣΗ

Κίνδυνος από Κινούμενα Εξαρτήματα



ΤΙ ΜΠΟΡΕΙ ΝΑ ΣΥΜΒΕΙ

Ο συμπιεστής ολοκληρώνει την κίνησή του αυτόματα όταν ο διακόπτης πίεσης βρίσκεται στη θέση "on/auto". Αν επιχειρήσετε να εκτελέσετε επισκευή ή συντήρηση ενώ ο συμπιεστής λειτουργεί ή είναι στην πρίζα, μπορεί να εκτεθείτε σε κίνδυνο από τα κινούμενα εξαρτήματα. Αυτά τα κινούμενα εξαρτήματα μπορεί να προκαλέσουν σοβαρό τραυματισμό.

ΠΩΣ ΝΑ ΤΟΝ ΑΠΟΦΥΓΕΤΕ

- Να βγάζετε πάντα το συμπιεστή από την πρίζα και να απελευθερώνετε την πίεση του αέρα από τη δεξαμενή και από οποιαδήποτε άλλα εξαρτήματα προτού επιχειρήσετε οποιαδήποτε συντήρηση ή επισκευή.
- Ποτέ μη λειτουργείτε το συμπιεστή με προστατευτικά ή καλύμματα που έχουν φθαρεί ή αφαιρεθεί.
- Κρατάτε τα μαλλιά, τα ρούχα και τα γάντια σας μακριά από κινούμενα μέρη. Υπάρχει κίνδυνος να εμπλακούν τα φαρδιά ρούχα, τα κοσμήματα ή τα μακριά μαλλιά στα κινούμενα μέρη.
- Οι αεραγωγοί μπορεί να καλύπτονται τα κινούμενα μέρη και θα πρέπει και αυτό να αποφεύγεται.



ΠΡΟΕΙΔΟΠΟΙΗΣΗ

Κίνδυνος εγκαύματος

ΠΡΟΕΙΔΟΠΟΙΗΣΗ

Μη χειρίζεστε το φορητό κομπρεσέρ με τις θύρες ή τους περιφρακτους χώρους ανοικτούς!



ΠΡΟΕΙΔΟΠΟΙΗΣΗ

Μην ανοίγετε τη στρόφιγγα προτού συνδεθεί ο εύκαμπτος σωλήνας αέρα!



ΤΙ ΜΠΟΡΕΙ ΝΑ ΣΥΜΒΕΙ

Η επαφή με θερμά μέρη όπως η κεφαλή του συμπιεστή ή οι σωλήνες εκροής μπορεί να προκαλέσουν σοβαρά εγκαύματα στο δέρμα.

ΠΩΣ ΝΑ ΤΟΝ ΑΠΟΦΥΓΕΤΕ

- Να μην αγγίζετε ποτέ θερμά εξαρτήματα κατά τη διάρκεια ή αμέσως μετά τη λειτουργία του συμπιεστή. Μην πλησιάζετε γύρω από τα προστατευτικά περιβλήματα και μην επιχειρείτε συντήρηση έως ότου να κρυσώσει η μονάδα.
- Ο χειρισμός και η ανύψωση: Κρατάτε το χερούλι μόνο κατά την μετακίνηση ή την μεταφορά του συμπιεστή.
- Για την αποφυγή του τραυματισμού μην αγγίζετε τον κύλινδρο, την κεφαλή του κυλίνδρου ή το σωλήνας της εξάτμισης και τα άλλα πολύ ζεστά εξαρτήματα όταν χρησιμοποιείται ο συμπιεστής ή έχει σβήσει λιγότερο από μια ώρα νωρίτερα.

ΠΡΟΕΙΔΟΠΟΙΗΣΗ

Μεταφορά

- α Η μέγιστη γωνία κατά την έλξη είναι τουλάχιστον 30°.
- β Μην χρησιμοποιήσετε οχήματα για έλξη.
- γ Μην χρησιμοποιήσετε τον συμπιεστή σε εργασίες που ενέχουν τον κίνδυνο ανάφλεξης έκρηξης ή διάβρωσης.

ΓΛΩΣΣΑΡΙΟ

CFM: Κυβικά πόδια το λεπτό.

SCFM: Κανονικά κυβικά πόδια το λεπτό, μονάδα μέτρησης της παροχής του αέρα.

PSIG: Λίβρες ανά τετραγωνική ίντσα μέτρησης, η μονάδα μέτρησης της πίεσης.

ΠΙΕΣΗ ΕΝΕΡΓΟΠΟΙΗΣΗΣ: Ενώ ο κινητήρας είναι εκτός λειτουργίας, η πίεση της δεξαμενής του αέρα πέφτει καθώς συνεχίζετε να χρησιμοποιείτε το εξάρτημα ή το αεροεργαλείο. Όταν η πίεση της δεξαμενής πέσει σε ένα συγκεκριμένο επίπεδο ο κινητήρας θα επαναλειτουργήσει αυτόματα και η πίεση αυτή στην οποία επαναλειτουργεί ο κινητήρας ονομάζεται "πίεση ενεργοποίησης".

ΠΙΕΣΗ ΔΙΑΚΟΠΗΣ: Όταν ενεργοποιείτε τον αεροσυμπιεστή σας, αυτός αρχίζει να λειτουργεί, και η πίεση αέρος στη δεξαμενή αέρος αρχίζει να αυξάνεται. Αυξάνεται έως ένα συγκεκριμένο επίπεδο πίεσης προτού να σβήσει αυτόματα ο κινητήρας - προστατεύοντας τη δεξαμενή του αέρα σας από το να υπερβεί την ονομαστική πίεση για την οποία σχεδιάστηκε. Η πίεση στην οποία σβήνει ο κινητήρας λέγεται "πίεση διακοπής".

ΚΥΚΛΟΣ ΛΕΙΤΟΥΡΓΙΑΣ

Συνιστάται όλοι οι αεροσυμπιεστές που κατασκευάζονται από τη Makita να μη λειτουργούν περισσότερο από το 50% του κύκλου λειτουργίας. Αυτό σημαίνει ότι η διοχέτευση αέρα από τον αεροσυμπιεστή για περισσότερο από το 50% της μίας ώρας θεωρείται κατάχρηση επειδή η απαιτούμενη ζήτηση αέρα είναι μικρότερη από αυτή που παράσχει ο αεροσυμπιεστής.

ΓΕΝΙΚΕΣ ΠΛΗΡΟΦΟΡΙΕΣ

Αυτός ο αεροσυμπιεστής διαθέτει μια αντλία τύπου "Χωρίς Λάδι" που είναι σχεδιασμένη για ανθεκτικότητα και δεν απαιτεί συντήρηση.

Ο συμπιεστής μπορεί να χρησιμοποιηθεί για κατάλληλα βαθμονομημένες πνευματικές μηχανές καρφώματος και συρραφής. Για αυτές τις εφαρμογές παρέχεται ένας ρυθμιστής πίεσης αέρος.

⚠️ ΠΡΟΕΙΔΟΠΟΙΗΣΗ:

Να μη χρησιμοποιείτε ποτέ τον συμπιεστή για άλλες εφαρμογές παρά μόνο για τις κατάλληλα βαθμονομημένες πνευματικές μηχανές καρφώματος και συρραφής. Η χρήση του συμπιεστή για άλλες εφαρμογές μπορεί να προκαλέσει φθορά στην περιοχή και προσωπικό τραυματισμό.

Διακρίνετε τους μετατροπείς αέρος που συνδυάζουν τις λειτουργίες της ρύθμισης αέρα και/ή της αφαίρεσης της υγρασίας και η αφαίρεση των ακαθαρσιών θα πρέπει να γίνεται μόνο εκεί όπου μπορεί να εφαρμοστεί.

ΕΛΕΓΧΟΣ ΣΤΗΝ ΠΑΡΑΛΑΒΗ

ΦΘΟΡΑ: Ο εξοπλισμός του κάθε αεροσυμπιεστή δοκιμάζεται προσεκτικά και ελέγχεται πριν από την αποστολή. Οι εσφαλμένοι χειρισμοί μπορεί να έχουν ως συνέπεια τη φθορά κατά τη διακίνηση και την πρόκληση προβλημάτων στη λειτουργία του συμπιεστή.

Αμέσως με την άφιξη του εξοπλισμού, κάνετε έλεγχο και για συγκεκαλυμμένες και για ορατές φθορές για να αποφύγετε τα έξοδα με τα οποία θα επιβαρυνθείτε για να διορθώσετε τέτοια προβλήματα. Αυτό μπορεί να γίνει ανεξάρτητα από οποιαδήποτε ορατά σημεία φθοράς στο κιβώτιο εκφόρτωσης. Αν αυτό το προϊόν αποστάληκε απευθείας σε εσάς, αναφέρετε στον μεταφορέα οποιοδήποτε φθορές και διευθετήστε άμεσα την επιθεώρηση του εμπορεύματος.

ΑΠΟΘΗΚΕΥΣΗ

Πριν αποθηκεύσετε τον αεροσυμπιεστή, βεβαιωθείτε ότι κάνετε τα εξής:

1. Εξετάστε τα τμήματα "Συντήρηση" και "Διαδικασίες Λειτουργίας" και εκτελέστε τη συντήρηση όπως αυτό είναι απαραίτητο. Βεβαιωθείτε να αποστραγγίσετε το νερό από τη δεξαμενή του αέρα.
2. Προστατέψτε το ηλεκτρικό καλώδιο και τον εύκαμπτο σωλήνα του αέρα από φθορά (όπως το πάτημα ή το μπλέξιμο).

Αποθηκεύστε τον αεροσυμπιεστή σε μια καθαρή και ξηρή τοποθεσία.

ΠΕΡΙΓΡΑΦΗ ΤΗΣ ΛΕΙΤΟΥΡΓΙΑΣ

ΒΑΛΒΙΔΑ ΑΠΟΣΤΡΑΓΓΙΣΗΣ: Η βαλβίδα αποστράγγισης βρίσκεται στη βάση της δεξαμενής του αέρα και χρησιμοποιείται για την αποστράγγιση της συμπύκνωσης στο τέλος της κάθε χρήσης.

ΔΙΑΚΟΠΤΗΣ ΘΕΡΜΙΚΟΥ ΚΥΚΛΩΜΑΤΟΣ:

Το ηλεκτρικό μοτέρ έχει ένα χειροκίνητο διακόπτη επαναφοράς του θερμικού κυκλώματος. Εάν για τον οποιονδήποτε λόγο το μοτέρ υπερθερμανθεί, ο διακόπτης του κυκλώματος θα κλείσει το μοτέρ. Στρέψτε τον διακόπτη της πίεση στη θέση "off" (ανενεργή) και

περιμένετε να ψυχθεί πριν πατήσετε το κουμπί επαναφοράς και ξεκινήστε ξανά τον συμπιεστή.

ΠΡΟΣΤΑΤΕΥΤΙΚΟ ΘΕΡΜΙΚΗΣ ΥΠΕΡΦΟΡΤΩΣΗΣ ΤΟΥ ΜΟΤΕΡ:

Όταν το ρεύμα του μοτέρ ξεπεράσει την ονομαστική του τιμή, το προστατευτικό έναντι της θερμότητας θα ανοίξει και θα σβήσει το μοτέρ αυτόματα.

Το μοτέρ θα πρέπει να αφεθεί να κρυώσει πριν την επανεκκίνηση. Ο συμπιεστής θα ξεκινήσει ξανά αυτόματα μετά το μοτέρ.

ΔΙΑΚΟΠΤΗΣ ΟΝ/AUTO - OFF

Στρέψτε αυτόν το διακόπτη στο "on" (ενεργοποίηση) για να την αυτόματη παροχή ισχύος στον διακόπτη της πίεσης και στη θέση "off" (απενεργοποίηση) για την αφαίρεση της ισχύος όταν ολοκληρώσετε την χρήση του συμπιεστή ή όταν ο συμπιεστής πρόκειται να παραμείνει χωρίς επίβλεψη.

ΦΙΛΤΡΟ ΕΙΣΑΓΩΓΗΣ ΑΕΡΑ:

Αυτό το φίλτρο είναι σχεδιασμένο να καθαρίζει τον εισερχόμενο αέρα της αντλίας του συμπιεστή. Αυτό το φίλτρο πρέπει να είναι πάντοτε καθαρό και χωρίς παρακώλυση. Δείτε την ενότητα "Συντήρηση".

ΑΝΤΛΙΑ ΑΕΡΟΣΥΜΠΙΕΣΤΗ:

Για την συμπίεση του αέρα, το πιστόνι κινείται πάνω και κάτω μέσα στον κύλινδρο. Στη κάτω διαδρομή του εμβόλου, ο αέρας τραβιέται μέσα από την βαλβίδα εισαγωγής του αέρα. Η βαλβίδα εξαγωγής παραμένει κλειστή.

Στην πάνω διαδρομή του εμβόλου, ο αέρας συμπιέζεται. Η βαλβίδα εισαγωγής κλείνει και ο συμπιεσμένος αέρας βγαίνει έξω και εισέρχεται στη δεξαμενή του αέρα περνώντας μέσα από τη βαλβίδα εξαγωγής, από τον σωλήνα εξόδου, και την βαλβίδα ελέγχου. Ο αέρας δεν μπορεί να χρησιμοποιηθεί έως ότου ο συμπιεστής αυξήσει την πίεση στη δεξαμενή του αέρα πάνω από την πίεση του απαιτείται στην έξοδο του αέρα.

ΒΑΛΒΙΔΑ ΕΛΕΓΧΟΥ:

Όταν λειτουργεί ο αεροσυμπιεστής, η βαλβίδα ελέγχου είναι "ανοικτή", επιτρέποντας τον συμπιεσμένο αέρα να εισέλθει μέσα στη δεξαμενή του αέρα. Όταν ο αεροσυμπιεστής φτάσει την πίεση "διακοπής", η βαλβίδα ελέγχου "κλείνει", επιτρέποντας την διατήρηση της πίεση του αέρα μέσα στη δεξαμενή.

ΒΑΛΒΙΔΑ ΕΚΦΟΡΤΙΣΗΣ ΤΟΥ ΔΙΑΚΟΠΤΗ ΠΙΕΣΗΣ:

Η βαλβίδα εκφόρτισης του διακόπτη πίεσης βρίσκεται μέσα στο διακόπτη πίεσης και είναι σχεδιασμένη να εκφορτίζει αυτόματα τον συμπιεσμένο αέρα από τον συμπιεστή και τον σωλήνα εξόδου όταν ο αεροσυμπιεστής φτάσει την πίεση "διακοπής".

ΔΙΑΚΟΠΤΗΣ ΠΙΕΣΗΣ:

Ο διακόπτης της πίεση αυτόματα ξεκινά το μοτέρ όταν η πίεση στη δεξαμενή του αέρα πέσει στην προκαθορισμένη από το εργοστάσιο πίεση "ενεργοποίησης". Σταματά το μοτέρ όταν η πίεση στη δεξαμενή του αέρα φτάσει στην καθορισμένη από το εργοστάσιο πίεση "διακοπής".

ΒΑΛΒΙΔΑ ΑΣΦΑΛΕΙΑΣ:

Εάν ο διακόπτης της πίεσης δεν διακόψει τον αεροσυμπιεστή στην καθορισμένη πίεση "διακοπής", η βαλβίδα ασφαλείας θα παράσχει προστασία ενάντια στην υψηλή πίεση με το "πέταγμα" της στην καθορισμένη από το εργοστάσιο πίεση, η οποία είναι λίγο υψηλότερη από την καθορισμένη πίεση "διακοπής" του διακόπτη πίεσης.

ΜΕΤΡΗΤΗΣ ΕΞΩΤΕΡΙΚΗΣ ΠΙΕΣΗΣ:

Ο μετρητής της πίεσης εξόδου δείχνει τη διαθέσιμη πίεση αέρα στην εξωτερική πλευρά του ρυθμιστή. Αυτή η πίεση ελέγχεται από το ρυθμιστή και είναι πάντοτε μικρότερη ή ίση με την πίεση στη δεξαμενή του αέρα. Δείτε την ενότητα "Διαδικασίες χρήσης".

ΜΕΤΡΗΤΗΣ ΠΙΕΣΗΣ ΔΕΞΑΜΕΝΗΣ:

Ο μετρητής πίεσης της δεξαμενής δείχνει την πίεση του αέρα στη δεξαμενή.

ΡΥΘΜΙΣΤΗΣ:

Η πίεση του αέρα που έρχεται από τη δεξαμενή του αέρα ελέγχεται από το κουμπί του ρυθμιστή. Στρέψτε το κουμπί προς τα δεξιά για να αυξήσετε την πίεση και αριστερά για την ελαττώσετε. Για την αποφυγή μιας μικρής επαναρύθμισης αφού κάνετε μια αλλαγή στη ρύθμιση της πίεσης, πάντοτε να προσεγγίζετε την επιθυμητή πίεση από τη χαμηλότερη πίεση. Κατά την ελάττωση από μια υψηλότερη προς μια χαμηλότερη πίεση, πρώτα να ελαττώνεται προς μια χαμηλότερη από την επιθυμητή πίεση. Ανάλογα με τις απαιτήσεις του αέρα του κάθε εξαρτήματος, η ρυθμιζόμενη πίεση εξόδου του αέρα ενδέχεται να απαιτεί διόρθωση την ώρα που χρησιμοποιείτε το εξάρτημα.

ΕΞΘΟΔΟΣ ΣΥΜΠΙΕΣΜΕΝΟΥ ΑΕΡΑ, σήμανση "HP"
Για Αποκλειστική Χρήση Πνευματικών Εργαλείων Υψηλής Πίεσης
Μέγιστη Πίεση Εξόδου: 2,6 MPa (26 bar)

ΕΞΘΟΔΟΣ ΣΥΜΠΙΕΣΜΕΝΟΥ ΑΕΡΑ, σήμανση "RP"
Για Χρήση Πνευματικών Εργαλείων Κανονικής Πίεσης
Μέγιστη Πίεση Εξόδου: 0,9 MPa (9 bar)

ΔΙΑΔΙΚΑΣΙΕΣ ΕΓΚΑΤΑΣΤΑΣΗΣ ΚΑΙ ΡΟΝΤΑΡΙΣΜΑΤΟΣ

ΤΟΠΟΘΕΤΗΣΗ ΤΟΥ ΑΕΡΟΣΥΜΠΙΕΣΤΗ

Τοποθετήστε τον αεροσυμπιεστή σε μια καθαρή, ξηρή και καλά αεριζόμενη περιοχή. Το φίλτρο αέρα δεν θα πρέπει

Παρακαλούμε δείτε το παρακάτω διάγραμμα για τις ΕΛΑΧΙΣΤΕΣ απαιτήσεις του καλωδίου προέκτασης του μετρητή:

Διακύμανση ονομαστικής ισχύος ρεύματος (220 - 240 V)	Συνολικό μήκος καλωδίου σε μέτρα					
	10 μέτρα 25 πόδια	15 μέτρα 50 πόδια	20 μέτρα 75 πόδια	30 μέτρα 100 πόδια	50 μέτρα 150 πόδια	60 μέτρα 200 πόδια
0 - 5 A	1,5 mm ²	1,5 mm ²	1,5 mm ²	2,5 mm ²	4 mm ²	4 mm ²
5,1 - 8 A	1,5 mm ²	1,5 mm ²	2,5 mm ²	4 mm ²	4 mm ²	4 mm ²
8 - 12 A	2,5 mm ²	2,5 mm ²	4 mm ²	Δεν συνίσταται		

να παρεμποδίζεται, διαφορετικά μπορεί να ελαττωθεί η παροχή αέρα στον αεροσυμπιεστή. Ο αεροσυμπιεστή θα πρέπει να τοποθετείται τουλάχιστον 0,3 μέτρα μακριά από τον τοίχο ή από άλλα εμπόδια που μπορούν να παρεμβληθούν στη ροή του αέρα. Η κεφαλή του αεροσυμπιεστή και το περίβλημα είναι σχεδιασμένα να επιτρέπουν την κατάλληλη ψύξη. Εάν η υγρασία είναι υψηλή, το φίλτρο αέρα μπορεί να τοποθετηθεί στον προσαρμογέα της εξόδου του αέρα για να αφαιρεθεί η υπερβολική υγρασία. Ακολουθήστε τις οδηγίες που βρίσκονται στη συσκευασία του φίλτρου αέρα για την κατάλληλη εγκατάσταση.

Τοποθετήστε τον αεροσυμπιεστή σε μια επίπεδη επιφάνεια έτσι ώστε να στηρίζεται καλά πάνω στα ελαστικά πόδια.

ΛΙΠΑΝΣΗ

Αυτός ο αεροσυμπιεστή διαθέτει μια αντλία τύπου "Χωρίς λάδι" που είναι σχεδιασμένη για ανθεκτικότητα και δεν απαιτεί συντήρηση.

Παροχή ρεύματος

Λειτουργείτε το συμπιεστή στις τάσεις ρεύματος που καθορίζονται στην πινακίδα, η αποδοτική ανοχή διακύμανσης της τάσης πρέπει να βρίσκεται μεταξύ του $\pm 5\%$. Εάν χρησιμοποιήσετε τον συμπιεστή σε υψηλότερη τάση από την ονομαστική, θα προκληθεί ανώμαλη υψηλή περιστροφή του μοτέρ και ενδέχεται να προκληθεί ζημιά στη συσκευή και κάψιμο του μοτέρ.

Καλώδια προέκτασης

Για την αποφυγή της πτώσης της τάσης, της απώλεια ισχύος και της υπερθέρμανσης του μοτέρ, χρησιμοποιήστε ένα πρόσθετο σωλήνα του αέρα αντί για ένα καλώδιο προέκτασης. Η χαμηλή τάση μπορεί να προκαλέσει ζημιά στο μοτέρ.

Εάν πρέπει να χρησιμοποιηθεί καλώδιο προέκτασης:

- Χρησιμοποιήστε μόνο ένα εγκεκριμένο καλώδιο προέκτασης 3-συρμάτων το οποίο διαθέτει βύσμα γείωσης με 3 λεπίδες και μια πρίζα με τρεις σπές που να ταιριάζει με το βύσμα του αεροσυμπιεστή.
- Φροντίστε το καλώδιο προέκτασης να βρίσκεται σε καλή κατάσταση.

Σωλήνωση

Μια πλαστική ή από PVC σωλήνα δεν είναι σχεδιασμένη για χρήση με τον αεροσυμπιεστή. Ανεξάρτητα από την αναφερόμενη ονομαστική πίεση, η πλαστική σωλήνα μπορεί να διαρραγεί από την πίεση του αέρα. Χρησιμοποιήστε μόνο μεταλλικές σωλήνες για τις γραμμές διανομής. Εάν είναι απαραίτητη η χρήση μιας γραμμής σωλήνα, χρησιμοποιήστε μια με το ίδιο μέγεθος, ή μεγαλύτερη από την έξοδο της δεξαμενής του αέρα. Η σωλήνωση που είναι πολύ μικρή θα περιορίσει την ροή του αέρα. Εάν η σωλήνωση είναι μεγαλύτερη από 30 μέτρα (100 πόδια) σε μήκος, χρησιμοποιήστε το επόμενο μεγαλύτερο μέγεθος. Τοποθετήστε τις υπόγειες γραμμές κάτω από το επίπεδο παγετού και αποφυγείτε τους φύλακες όπου μπορεί να μαζευτεί υγρασία και πάγος. Διοχετεύετε πίεση στις γραμμές πριν τις καλύψετε κάτω από το έδαφος για να διασφαλίσετε ότι δεν υπάρχουν διαρροές στις ενώσεις των σωλήνων.

Οδηγία γείωσης

⚠️ ΠΡΟΕΙΔΟΠΟΙΗΣΗ: Κίνδυνος ηλεκτροπληξίας! Στην περίπτωση βραχυκυκλώματος, η γείωση ελαττώνει τον κίνδυνο της ηλεκτροπληξίας παρέχοντας ένα αγωγό διαφυγής για το ηλεκτρικό ρεύμα. Αυτός ο αεροσυμπιεστής θα πρέπει να είναι κατάλληλα γειωμένος.

Ο αεροσυμπιεστής είναι εφοδιασμένος με ένα καλώδιο που διαθέτει ένα σύρμα γείωσης με το κατάλληλο βύσμα γείωσης. Το βύσμα θα πρέπει να χρησιμοποιηθεί σε μια παροχή που έχει εγκατασταθεί και γειωθεί σύμφωνα με τους τοπικούς κανονισμούς και διατάξεις. Η παροχή θα πρέπει να έχει την ίδια διάταξη με το βύσμα. ΜΗΝ ΧΡΗΣΙΜΟΠΟΙΗΣΕΤΕ ΕΝΑ ΠΡΟΣΑΡΜΟΓΕΑ.

Ελέγξτε το βύσμα και το καλώδιο πριν από την κάθε χρήση. Μην το χρησιμοποιήσετε εάν υπάρχουν σημάδια φθοράς.

ΚΙΝΔΥΝΟΣ:

Η ακατάλληλη γείωση μπορεί να προκαλέσει ηλεκτροπληξία. Μην τροποποιήσετε το παρεχόμενο βύσμα. Εάν δεν ταιριάζει στην διαθέσιμη παροχή, θα πρέπει να τοποθετηθεί η σωστή παροχή από ένα ειδικευμένο ηλεκτρολόγο.

ΔΙΑΔΙΚΑΣΙΕΣ ΛΕΙΤΟΥΡΓΙΑΣ

Καθημερινή λίστα ελέγχου πριν από την εκκίνηση.

ΕΓΚΑΤΑΣΤΑΣΗ ΕΥΚΑΜΠΤΩΝ ΣΩΛΗΝΩΝ

⚠️ ΠΡΟΕΙΔΟΠΟΙΗΣΗ:

Κίνδυνος επισφαλούς λειτουργίας. Πιάστε γερά τον εύκαμπτο σωλήνα με το χέρι κατά την εγκατάσταση ή την αποσύνδεση για την αποφυγή της εκτίναξης του σωλήνα.

Η απώλεια ελέγχου του εύκαμπτου σωλήνα μπορεί να προκαλέσει προσωπικό τραυματισμό και φθορά στην περιουσία.

1. Προτού συνδέσετε το σωλήνα του αέρα ή τα εξαρτήματα, βεβαιωθείτε ότι ο διακόπτης της πίεσης βρίσκεται στη θέση "OFF" και ο ρυθμιστής του αέρα ή η βαλβίδα διακοπής είναι κλειστή.

2. Συνδέστε τον εύκαμπτο σωλήνα και τα εξαρτήματα. Η πόλα υψηλή πίεση αέρα προκαλεί τον κίνδυνο της διάρρηξης. Ελέγξτε τις μέγιστες ονομαστικές πιέσεις των κατασκευαστών για τα εργαλεία που λειτουργούν με αέρα και τα εξαρτήματα. Η πίεση εξόδου του ρυθμιστή δεν πρέπει ποτέ να υπερβαίνει την μέγιστη ονομαστική πίεση.
3. Στρέψτε το μοχλό του διακόπτη της πίεσης στη θέση "ON/AUTO" και επιτρέψτε να ανυψωθεί η πίεση της δεξαμενής. Το μοτέρ θα σταματήσει όταν η πίεση στη δεξαμενή φτάσει το ύψος της πίεσης "διακοπής".
4. Ανοίξτε το ρυθμιστή περιστρέφοντάς τον δεξιόστροφα. Προσαρμόστε το ρυθμιστή στη σωστή ρύθμιση της πίεσης. Ο συμπιεστής σας είναι έτοιμος για χρήση.
5. Να λειτουργείτε πάντα τον αεροσυμπιεστή σε καλά αεριζόμενες περιοχές, χωρίς ατμούς βενζίνης ή διαλυτικών. Μην λειτουργείτε τον συμπιεστή κοντά στη περιοχή ψεκασμού.

Όταν ολοκληρώσετε:

ΑΠΟΣΥΝΔΕΣΤΕ ΤΟΥΣ ΕΥΚΑΜΠΤΟΥΣ ΣΩΛΗΝΕΣ

⚠️ ΠΡΟΕΙΔΟΠΟΙΗΣΗ:

Κίνδυνος επισφαλούς λειτουργίας. Πιάστε γερά τον εύκαμπτο σωλήνα με το χέρι κατά την εγκατάσταση ή την αποσύνδεση για την αποφυγή της εκτίναξης του σωλήνα.

Η απώλεια ελέγχου του εύκαμπτου σωλήνα μπορεί να προκαλέσει προσωπικό τραυματισμό και φθορά στην περιουσία.

6. Τοποθετήστε τον μοχλό του διακόπτη πίεσης στη θέση "OFF".
7. Χρησιμοποιώντας το αεροεργαλείο ή το εξάρτημα, εκκενώστε την πίεση της δεξαμενής μέχρι το μηδέν.
8. Αφαιρέστε το ρυθμιστή αέρα ή το εξάρτημα.
9. Αποστραγγίστε το νερό από το δοχείο του αέρα ανοίγοντας τον κρουνοί της βαλβίδας αποστράγγισης στη βάση της δεξαμενής. **ΤΟ ΝΕΡΟ ΘΑ ΣΥΜΠΥΚΝΩΘΕΙ ΣΤΗ ΔΕΞΑΜΕΝΗ ΤΟΥ ΑΕΡΑ. ΕΑΝ ΔΕΝ ΑΠΟΣΤΡΑΓΓΙΣΤΕΙ, ΤΟ ΝΕΡΟ ΘΑ ΔΙΑΒΡΩΣΕΙ ΚΑΙ ΘΑ ΕΞΑΣΘΕΝΗΣΕΙ ΤΗΝ ΔΕΞΑΜΕΝΗ ΤΟΥ ΑΕΡΑ ΠΡΟΚΑΛΩΝΤΑΣ ΤΟΝ ΚΙΝΔΥΝΟ ΤΗΣ ΔΙΑΡΡΗΞΗΣ ΤΟΥ ΔΟΧΕΙΟΥ ΤΟΥ ΑΕΡΑ.**

Σημείωση:

Εάν η βαλβίδα αποστράγγισης έχει βουλώσει, ελευθερώστε όλη την πίεση του αέρα. Η βαλβίδα στη συνέχεια μπορεί να αφαιρεθεί, να καθαριστεί και μετά να επανατοποθετηθεί.

10. Μετά την αποστράγγιση του νερού, κλείστε τη βαλβίδα αποστράγγισης. Ο αεροσυμπιεστής είναι έτοιμος τώρα για αποθήκευση.

⚠️ ΠΡΟΕΙΔΟΠΟΙΗΣΗ:

Αποστραγγίστε κατάλληλα την δεξαμενή αέρα. Η ακατάλληλη αποστράγγιση της δεξαμενής αέρα μπορεί να προκαλέσει την διάβρωση και την πιθανή διάρρηξη της δεξαμενής. Η διάρρηξη της δεξαμενής μπορεί να προκαλέσει το προσωπικό τραυματισμό και την φθορά στη περιουσία. Η επιπρόσθετη οδηγία στην αρχική προειδοποίηση επαναλαμβάνει μόνο ότι έχει ήδη ειπωθεί στο στοιχείο 9 παραπάνω.

Επιπρόσθετα δεν αναφέρει ότι ο συμπιεστή θα πρέπει να είναι σβηστός.

ΣΥΝΤΗΡΗΣΗ

⚠ ΠΡΟΕΙΔΟΠΟΙΗΣΗ:

Ποτέ να μην χρησιμοποιήσετε ένα αεροσυμπιεστή που δεν λειτουργεί φυσιολογικά.

Εάν ο αεροσυμπιεστής φαίνεται να μην λειτουργεί κανονικά, κάνοντας παράξενους θορύβους ή δόνηση, σταματήστε την χρήση του αμέσως και προγραμματίστε τον για επισκευή σε ένα εξουσιοδοτημένο κέντρο σέρβις της Makita.

⚠ ΠΡΟΕΙΔΟΠΟΙΗΣΗ:

Χρησιμοποιήστε μόνο αυθεντικά ανταλλακτικά της Makita. Η χρήση των ανταλλακτικών που δεν κατασκευάζονται από τη Makita μπορεί να ακυρώσει την εγγύηση και μπορεί να οδηγήσει στη δυσλειτουργία και στην πρόκληση τραυματισμών. Τα αυθεντικά εξαρτήματα της Makita είναι διαθέσιμα από ένα εξουσιοδοτημένο αντιπρόσωπο.

⚠ ΠΡΟΕΙΔΟΠΟΙΗΣΗ:

Η ΜΟΝΑΔΑ ΛΕΙΤΟΥΡΓΕΙ ΑΥΤΟΜΑΤΑ ΟΤΑΝ ΑΝΟΙΞΕΙ ΤΟ ΡΕΥΜΑ. ΚΑΤΑ ΤΗΝ ΕΚΤΕΛΕΣΗ ΕΡΓΑΣΙΩΝ ΣΥΝΤΗΡΗΣΗΣ, ΜΠΟΡΕΙ ΝΑ ΕΚΤΕΘΕΙΤΕ ΣΕ ΠΗΓΕΣ ΡΕΥΜΑΤΟΣ, ΣΥΜΠΙΕΣΜΕΝΟΥ ΑΕΡΑ Ή ΚΙΝΟΥΜΕΝΩΝ ΕΞΑΡΤΗΜΑΤΩΝ. ΜΠΟΡΕΙ ΝΑ ΣΥΜΒΟΥΝ ΠΡΟΣΩΠΙΚΟΙ ΤΡΑΥΜΑΤΙΣΜΟΙ. ΠΡΙΝ ΕΚΤΕΛΕΣΕΤΕ ΤΗΝ ΟΠΟΙΔΗΠΟΤΕ ΣΥΝΤΗΡΗΣΗ Ή ΕΠΙΣΚΕΥΗ, ΒΓΑΛΤΕ ΑΠΟ ΤΗΝ ΠΡΙΖΑ ΤΟΝ ΣΥΜΠΙΕΣΤΗ ΚΑΙ ΕΚΕΝΩΣΤΕ ΟΛΗ ΤΗΝ ΠΙΕΣΗ ΤΟΥ ΑΕΡΑ.

Για την διασφάλιση της αποδοτικής λειτουργίας και την μεγαλύτερη διάρκεια ζωής της μονάδας του αεροσυμπιεστή, θα πρέπει να ετοιμαστεί και να ακολουθηθεί ένα τακτικό πρόγραμμα συντήρησης. Το παρακάτω τακτικό πρόγραμμα συντήρησης προορίζεται για μια συσκευή που λειτουργεί σε ένα σύννηθες περιβάλλον εργασίας σε καθημερινή βάση. Εάν είναι απαραίτητο, το πρόγραμμα πρέπει να τροποποιείται για να καλύψει τις συνθήκες κάτω από τις οποίες χρησιμοποιείται ο συμπιεστής. Οι τροποποιήσεις θα εξαρτηθούν από τις ώρες εργασίας της λειτουργίας και το περιβάλλον εργασίας. Οι μονάδες των συμπιεστών που βρίσκονται σε ένα εξαιρετικά ξηρό και/ή αφιλόξενο περιβάλλον απαιτούν συχνότερους ελέγχους συντήρησης.

ΠΡΟΓΡΑΜΜΑ ΤΑΚΤΙΚΗΣ ΣΥΝΤΗΡΗΣΗΣ

1. Αποστραγγίστε το νερό από τη δεξαμενή του αέρα, τους οποιοδήποτε διαχωριστές υγρασίας και μετασχηματιστές.
2. Ελέγξτε για τον οποιοδήποτε θόρυβο και/ή δόνηση.
3. Ελέγξτε με το χέρι όλες τις βαλβίδες ασφαλείας και διασφαλίστε ότι λειτουργούν κατάλληλα.

⚠ ΠΡΟΕΙΔΟΠΟΙΗΣΗ: Κίνδυνος διάρρηξης
Ελέγξτε τη Βαλβίδα Ασφαλείας. Αν η βαλβίδα ασφαλείας δεν λειτουργεί κανονικά μπορεί να συμβεί υπερσυμπίεση της δεξαμενής αέρα προκαλώντας την διάρρηξη ή την έκρηξη οδηγώντας στον προσωπικό τραυματισμό ή στην φθορά της περιουσίας.

4. Επιθεωρήστε το φίλτρο αέρα εάν είναι απαραίτητο.
5. Επιθεωρήστε τις γραμμές του αέρα και τα προσαρτήματα για διαρροές, επιδιορθώστε εάν είναι απαραίτητο.
Μετά από κάθε έτος λειτουργίας ή εάν υποψιάζεστε πρόβλημα:
 - Ελέγξτε την κατάσταση της αντλίας εισαγωγής του αεροσυμπιεστή και τις βαλβίδες εξαγωγής.
 - Ελέγξτε την κατάσταση της βαλβίδας ελέγχου. Αντικαταστήστε εάν υπάρχει ζημιά ή φθορά.
6. Διατηρήστε όλες τις βίδες, τα μπουλόνια και τα καλύμματα καλά στερεωμένα. Ελέγχετε περιοδικά την κατάστασή τους.

⚠ ΠΡΟΕΙΔΟΠΟΙΗΣΗ:

Διατηρήστε Όλες τις Βίδες, τα Μπουλόνια και τα Καλύμματα Καλά Στερεωμένα. Εάν οι βίδες, τα ελάσματα ή τα καλύμματα ξεσφίξουν μπορεί να συμβεί προσωπικός τραυματισμός ή φθορά της περιουσίας.

1) ΑΝΤΙΜΕΤΩΠΙΣΗ ΠΡΟΒΛΗΜΑΤΩΝ

ΠΡΟΒΛΗΜΑ	ΑΙΤΙΑ	ΔΙΟΡΘΩΣΗ
Δεν ξεκινά	Κάψιμο ασφαλείας ή απενεργοποίηση του διακόπτη κυκλώματος, Χαλαρές ηλεκτρικές συνδέσεις, Λανθασμένο καλώδιο μπαταντζας, Υπερθερμασμένος κινητήρας	Εξακριβώστε την αιτία και αντικαταστήστε ή επαναφέρετε. Ελέγξτε ώστε οι συνδέσεις των καλωδίων να είναι το μέγιστο 15μ/ 50πόδια, το ελάχιστο 14ga. Χρησιμοποιήστε το κομπύτι επανεκκίνησης/αναμείνατε για την αυτόματη επανεκκίνηση
Χαμηλή πίεση	Διαρροή αέρα στη βαλβίδα ασφαλείας Βουλωμένο φίλτρο αέρα Ελαττωματική βαλβίδα ελέγχου	Ελέγξτε τη βαλβίδα χειροκίνητα: τραβήξτε την προεξοχή πάνω στους δακτυλίους. Εάν το πρόβλημα επιμένει, αντικαταστήστε τη βαλβίδα. Καθαρίστε ή αντικαταστήστε το φίλτρο αέρα, Αντικαταστήστε τη βαλβίδα ελέγχου.
Απελευθέρωση της βαλβίδας ασφαλείας	Ελαττωματικός διακόπτης πίεσης ή εσφαλμένη ρύθμιση	Ελέγξτε για τη σωστή ρύθμιση και εάν το πρόβλημα επιμένει, αντικαταστήστε το διακόπτη πίεσης

2) ΠΡΟΕΙΔΟΠΟΙΗΣΗ!

Ο λανθασμένος τρόπος μεταφοράς και ανύψωσης θα προκαλέσει βλάβη στο μηχάνημα.

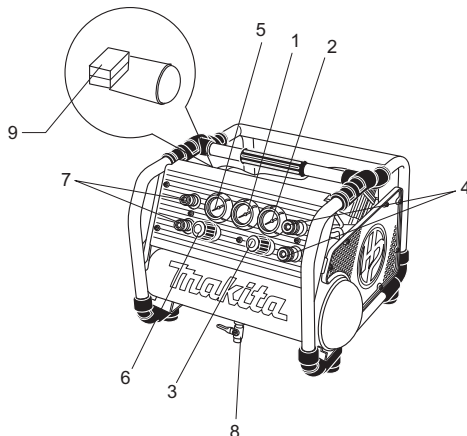
Καθημερινή συντήρηση

- Πριν από κάθε χρήση:
 - Βεβαιωθείτε ότι έχετε σφίξει όλα τα παξιμάδια και τα μπουλόνια.
 - Ελέγξτε για τυχόν ασυνήθιστους θορύβους ή δονήσεις.
- Μετά από κάθε χρήση:

Αδειάστε όλον τον αέρα στη δεξαμενή αποθήκευσης αέρα. Ανοίξτε τη στρόφιγγα αποστράγγισης στο κάτω μέρος της δεξαμενής αποθήκευσης αέρα για να αποστραγγίσετε τον υγροποιημένο ατμό από την δεξαμενή.
- Εβδομαδιαία συντήρηση:
 - Ελέγξτε την απόδοση της βαλβίδας ασφαλείας.
 - Ελέγξτε τον διακόπτη αέρα ώστε η καθορισμένη μέτρηση της πίεσης να είναι 2,8 Mpa.
 - Καθαρίστε το φίλτρο αέρα.
- Μηνιαία συντήρηση:
 - Επιθεωρήστε το σύστημα αέρα για τυχόν διαρροές τοποθετώντας νερό με σαπούνι σε όλες τις ενώσεις. Σφίξτε αυτές τις ενώσεις εάν παρατηρηθεί διαρροή.
 - Ελέγξτε ότι παραμένουν σφιγμένα όλα τα παξιμάδια και τα μπουλόνια.
 - Αντικαταστήστε το φίλτρο αέρα με ένα καινούργιο.
 - Καθαρίστε την επιφάνεια του κομπρεσέρ αέρα.
- Συντήρηση κάθε τρεις μήνες:
 - Ελέγξτε τον κύλινδρο και το πιστόνι για να δείτε εάν έχουν φθαρεί.

Objaśnienia do widoku ogólnego

1. Manometr ciśnienia powietrza w zbiorniku
2. Manometr ciśnienia regulowanego „HP”
3. Reduktor ciśnienia powietrza „HP”
4. Szybkie złącza „HP” (wylot powietrza)
5. Manometr ciśnienia regulowanego „RP”
6. Reduktor ciśnienia powietrza „RP”
7. Szybkie złącze „RP” (wylot powietrza)
8. Zawór spustowy
9. Przełącznik ciśnieniowy



DANE TECHNICZNE

Model	AC310H
MAX. wejście mocy	1800 W
SCFM @ 40 PSIG (L/min @ 2,8 bar)	3,7 (106 L)
SCFM @ 90 PSIG (L/min @ 6,2 bar)	3,6 (101 L)
SCFM @ 300 PSIG (L/min @ 21 bar)	2,7 (77 L)
Ciśnienie włączania	2,3 MPa (23 bar)
Ciśnienie wyłączenia	2,8 MPa (28 bar)
Średnica x Skok x Liczba	62 mm x 31 mm x 1,45 mm x 10 mm x 1
Napięcie - jednofazowe	220 - 240 VAC
Hz	50 Hz
Liczba obrotów silnika na minutę	1420 min ⁻¹
Smarowanie	Bezolejowe
Pojemność zbiornika	6,2 litra (1,6 gal)
Ciężar	36 kg (79,4 lb)
Wymiary (dług. x wys. x szer.)	476 x 375 x 507 mm (18-3/4" x 14-3/4" x 20")
Maksymalne ciśnienie wyjściowe „HP” (do stosowania wyłącznie z narzędziami pneumatycznymi na wysokie ciśnienie)	2,6 MPa (26 bar)
Maksymalne ciśnienie wyjściowe „RP” (do stosowania wyłącznie z narzędziami pneumatycznymi na ciśnienie normalne)	0,9 MPa (9 bar)
Hałas	LWA 90 dB

- Ze względu na stale prowadzone prace badawczo-rozwojowe, podane tu dane techniczne mogą ulec zmianie bez powiadomienia.
- Uwaga: W innych krajach urządzenie może mieć odmienne parametry techniczne.

Minimalne wymagania w stosunku do obwodu zasilania: 7 amperów

- * Zalecane stosowanie wyłącznika/bezpiecznika automatycznego. Należy stosować tylko wyłączniki lub bezpieczniki o parametrach zgodnych z parametrami sprężarki. Jeśli sprężarka jest zasilana z obwodu zabezpieczonego bezpiecznikami, powinny to być bezpieczniki zwłoczne.

WAŻNE

Przed uruchomieniem należy uważnie przeczytać WSZYSTKIE instrukcje.

Symbole

Poniżej przedstawiono symbole stosowane w przypadku omawianego urządzenia. Przed przystąpieniem do jego eksploatacji należy koniecznie zapoznać się z ich znaczeniem.



..... Należy przeczytać instrukcję obsługi.



..... **Zagrożenie porażeniem prądem.**
Uwaga: przed przystąpieniem do wykonywania jakichkolwiek czynności, należy koniecznie odłączyć sprężarkę od zasilania.



..... **Zagrożenia związane z wysokimi temperaturami.**
Uwaga: niektóre części tej sprężarki mogą osiągać wysokie temperatury.



..... **Zagrożenie przypadkowym uruchomieniem.**
Uwaga - w przypadku zaniku i ponownego włączenia napięcia w sieci zasilającej, sprężarka może uruchomić się samoczynnie.



..... Nosić okulary ochronne.



..... **Dotyczy tylko państw UE**
Nie wyrzucaj urządzeń elektrycznych wraz z odpadami z gospodarstwa domowego!
Zgodnie z Europejską Dyrektywą 2002/96/WE w sprawie zużytego sprzętu elektrotechnicznego i elektronicznego oraz dostosowaniem jej do prawa krajowego, zużyte urządzenia elektryczne należy posegregować i zutylizować w sposób przyjazny dla środowiska.

WAŻNE ZASADY BEZPIECZEŃSTWA

⚠ OSTRZEŻENIE

PRZECZYTAJ I ZROZUM WSZYSTKIE INSTRUKCJE

Nieprzestrzeganie podanych poniżej instrukcji może prowadzić do porażenia prądem elektrycznym, pożaru i/lub poważnych obrażeń.



ZACHOWAJ NINIEJSZĄ INSTRUKCJĘ.

STANOWISKO PRACY

1. **W miejscu pracy należy utrzymywać czystość i zadbać o dobre oświetlenie.** Nieporządek i słabe oświetlenie sprzyjają wypadkom.
2. **Elektronarzędzi nie wolno używać w miejscach zagrożonych wybuchem, na przykład w obecności łatwopalnych cieczy, gazów lub pyłów.** Elektronarzędzia wytwarzają iskry, które mogą spowodować zapalenie się pyłu lub oparów.
3. **Nie należy uruchamiać elektronarzędzia, gdy w pobliżu znajdują się przechodnie, dzieci czy goście.** Chwila nieuwagi może spowodować utratę kontroli. Chroń inne osoby przebywające w okolicach stanowiska pracy przed wiórami i iskrami. W razie potrzeby zastosuj bariery lub osłony. Na stanowisku pracy i w jego pobliżu nie powinny nigdy przebywać dzieci.
4. **Odpowiednia temperatura pokojowa wynosi od +5°C do +30°C. (od 0°C do + 40°C – maksimum)**

⚠ OSTRZEŻENIE

NIEWŁAŚCIWE UŻYTKOWANIE LUB OBCHODZENIE SIĘ Z TYM WYROBEM MOŻE POWODOWAĆ PÓWAŻNE OBRAŻENIA CIAŁA I STRATY MATERIALNE.
PRZED UŻYCIEM TEGO URZĄDZENIA, NALEŻY PRZECZYTAĆ I ZROZUMIEĆ WSZYSTKIE OSTRZEŻENIA ORAZ INSTRUKCJE OBSŁUGI.

⚠ OSTRZEŻENIE

Zagrożenia związane z niebezpiecznym użytkowaniem

CO SIĘ MOŻE ZDARZYĆ

Niebezpieczne użytkowanie tej sprężarki może powodować poważne obrażenia ciała użytkownika lub/i innych osób.

JAK TEMU ZAPOBIEGAĆ

- Przejrzyj i zapoznaj się ze wszystkimi instrukcjami ostrzeżeniami w tym podręczniku.
- Zapoznaj się dobrze z obsługą i elementami regulacyjnymi sprężarki.
- Nie dopuszczaj ludzi, zwierząt do miejsca pracy sprężarki, usuń wszelkie przeszkody.
- Dzieciom nie wolno się nigdy zbliżać do sprężarki.
- Nie obsługuj jej, kiedy jesteś zmęczony lub pod wpływem alkoholu lub leków/narkotyków. Miej się zawsze na baczności.
- Nigdy nie pomijaj zabezpieczeń tego urządzenia.
- Miejsce pracy musi być wyposażone w gaśnicę.
- Nie używaj tej sprężarki, jeśli ma części uszkodzone, niezgodne z zaleceniami producenta, lub brak jej części.

OSTRZEŻENIE



Zagrożenie rozsadzeniem zbiornika

CO SIĘ MOŻE ZDARZYĆ

USZKODZENIE CIAŁA UŻYTKOWNIKA I/LUB INNYCH OSÓB:

- Nie usuwanie wody ze zbiornika, co powoduje korodowanie i zmniejszanie grubości jego ścian.
- Modyfikowanie lub próby naprawiania zbiornika.
- Nieuprawnione modyfikowanie wyłącznika bezpieczeństwa, zaworu bezpieczeństwa, lub innych elementów regulujących ciśnienie w zbiorniku.

JAK TEMU ZAPOBIEGAĆ

- Opróżniaj zbiornik codziennie lub po każdorazowym użyciu. Kiedy w zbiornik zacznie przeciekać, należy go natychmiast wymienić lub wymienić całą sprężarkę.
- W zbiorniku nie wolno wiercić otworów, nie wolno go spawać, ani modyfikować w jakikolwiek sposób, gdyż to go osłabi. Zbiornik może pęknąć lub eksplodować. Należy go wymienić na nowy.
- Należy stosować się do zaleceń producenta i nie przekraczać nigdy maksymalnych wartości ciśnienia, dozwolonych dla narzędzi pneumatycznych. Nie wolno nigdy używać tej sprężarki do nadymania niewielkich, niskociśnieniowych przedmiotów, takich jak zabawki dziecięce, piłki, itp.

OSTRZEŻENIE



Zagrożenie rozsadzeniem narzędzi i akcesoriów

CO SIĘ MOŻE ZDARZYĆ

Przekraczanie nominalnych wartości ciśnienia narzędzi pneumatycznych, pistoletów natryskowych, pneumatycznych akcesoriów, opon ORAZ innych obiektów pompowanych powietrzem może powodować ich eksplozowanie, rozsadzanie i w następstwie poważne obrażenia użytkownika oraz/lub innych osób.

OSTRZEŻENIE



Zagrożenie porażeniem prądem

CO SIĘ MOŻE ZDARZYĆ

- Ta sprężarka jest zasilana elektrycznością. Podobnie jak inne urządzenia zasilane prądem, może powodować porażenia, jeśli jest używana niewłaściwie.
- Uziemienie: bez prawidłowego uziemienia, urządzenie to może zwiększać zagrożenie porażeniem prądem.

JAK TEMU ZAPOBIEGAĆ

- Dokonywanie wszelkich prac z okablowaniem oraz napraw tego produktu powinno być zlecane wykwalifikowanemu pracownikowi serwisu lub elektrykom posiadającym odpowiednie uprawnienia, zgodnie z przepisami krajowymi, lub miejscowymi.
- Należy się upewnić, że obwód zasilania, do którego sprężarka zostanie podłączona zawiera odpowiednie uziemienie, napięcie i bezpiecznik(i).
- Sprężarki nie wolno nigdy używać na dworze podczas deszczu, a nawet przy wysokiej wilgotności.

- Sprężarki nie wolno nigdy używać, jeśli osłony lub pokrywy są uszkodzone lub zdjęte.

OSTRZEŻENIE



Zagrożenie wybuchem lub pożarem

CO SIĘ MOŻE ZDARZYĆ

Podczas uruchamiania i zatrzymywania sprężarki normalnym zjawiskiem jest iskrzenie na stykach wyłącznika bezpieczeństwa i w silniku. Sprężarki nie wolno nigdy używać, jeśli w powietrzu występują opary substancji palnych. Może to powodować poważne obrażenia ciała użytkownika lub/i innych osób.

JAK TEMU ZAPOBIEGAĆ

- Należy zawsze używać sprężarkę w miejscach dobrze wentylowanych, wolnych od oparów benzyny lub rozpuszczalników.
- Podczas natryskiwania substancji palnych, sprężarka powinna znajdować się co najmniej 6,1 metra od miejsca pracy.
- Substancje palne należy przechowywać w bezpiecznym miejscu z dala od sprężarki.

OSTRZEŻENIE



Zagrożenie dla oddychania

CO SIĘ MOŻE ZDARZYĆ

- Sprężone powietrze ze sprężarki nie jest bezpieczne dla oddychania.
W strumieniu tego powietrza może być obecny tlenek węgla, a także opary lub cząstki pochodzące ze zbiornika lub innych części sprężarki.
- Natryskiwane substancje, takie jak farby, rozpuszczalniki i zmywacze farb, substancje owadobójcze, chwastobójcze, itp. zawierają szkodliwe opary i trucizny.
- Wdychanie powietrza ze sprężarki lub oparów natryskiwanych substancji jest bardzo niebezpieczne dla zdrowia.

JAK TEMU ZAPOBIEGAĆ

- Nie wolno nigdy wdychać powietrza ze sprężarki, ani bezpośrednio, ani z urządzenia oddechowego podłączonego do sprężarki. Pracować należy w dobrze wentylowanych miejscach.
- Przeczytaj i przestrzegaj instrukcji dotyczących bezpieczeństwa znajdujących się na etykietce lub na kartach danych technicznych natryskiwanych substancji.
Używaj maski oddechowej, opracowanej i zatwierdzonej dla konkretnych prac.

OSTRZEŻENIE

Ryzyko spowodowane hałasem



Zagrożenia związane ze sprężonym powietrzem



CO SIĘ MOŻE ZDARZYĆ

Strumień sprężonego powietrza może uszkodzić tkanki miękkie, może porywać i wyrzucać z dużą prędkością cząstki brudu, wióry, drobne obiekty, itd.

JAK TEMU ZAPOBIEGAĆ

- Podczas pracy lub konserwacji sprężarki należy zawsze nosić zalecane okulary ochronne z osłonami bocznymi.
- Nigdy nie kieruj jakiegokolwiek dyszy, ani pistoletu natryskowego w stronę części ciała, swojego, innych ludzi lub zwierząt.
- Przed przystąpieniem do konserwacji, podłączania narzędzi lub akcesoriów, sprężarkę należy wyłączyć i spuścić powietrze z przewodu.

⚠ OSTRZEŻENIE

Zagrożenia związane z ruchomymi częściami



CO SIĘ MOŻE ZDARZYĆ

Sprężarka ta automatycznie włącza się i wyłącza, kiedy wyłącznik bezpieczeństwa znajduje się w położeniu „on/ auto” (wł./auto). Próby naprawiania lub konserwacji pracującej lub tylko podłączonej do sieci sprężarki grożą kontaktem z ruchomymi częściami. Może to powodować poważne obrażenia ciała.

JAK TEMU ZAPOBIEGAĆ

- Przed przystąpieniem do naprawiania lub konserwacji sprężarki, należy zawsze odłączyć ją od sieci i spuścić powietrze ze zbiornika oraz narzędzi i/lub akcesoriów.
- Sprężarki nie wolno nigdy używać, jeśli osłony lub pokrywy są uszkodzone lub zdjęte.
- Włosy, ubranie i rękawice należy trzymać z dala od ruchomych części. Luźne części ubrania, biżuteria i długie włosy mogą zostać pochwycone przez znajdujące się w ruchu części.
- Za otworami wentylacyjnymi mogą się znajdować ruchome części i także należy unikać z nimi kontaktu.

⚠ OSTRZEŻENIE

Ryzyko poparzeń



⚠ OSTRZEŻENIE

Nie używać przenośnej sprężarki z otwartymi drzwiczkami lub obudową!



⚠ OSTRZEŻENIE

Nie otwierać kurka przed podłączeniem węża doprowadzającego powietrze!



CO SIĘ MOŻE ZDARZYĆ

Kontakt z częściami gorącymi, takimi jak głowica sprężarki lub rurki wylotowe, może spowodować poważne oparzenia skóry.

JAK TEMU ZAPOBIEGAĆ

- Nigdy nie należy dotykać elementów gorących podczas pracy sprężarki lub wkrótce po wyłączeniu. Nie wolno sięgać pod osłony zabezpieczające, ani usiłować konserwować sprężarkę przed odczekaniem, aż ostygnie.
- Podnoszenie i przenoszenie: sprężarkę można podnosić lub przenosić tylko trzymając ją za uchwyt.
- Aby uniknąć obrażeń, nie należy dotykać cylindra, głowicy cylindra, rury wydechowej i innych nagranych części, gdy sprężarka pracuje lub do godziny po jej wyłączeniu.

⚠ OSTRZEŻENIE

Transport

- a Maksymalny kąt nachylenia podczas traktacji wynosi min.30°.
- b Nie używać pojazdów do celów pociagowych.
- c Nie umieszczać sprężarki w miejscu, w którym narażona będzie na działanie substancji łatwopalnych, wybuchowych lub powodujących erozję.

SŁOWNICZEK

CFM: Stopy sześciennie na minutę.

SCFM: Standardowe stopy sześciennie na minutę; jednostka miary wydajności sprężarki.

PSIG: Funt na cal kwadratowy; jednostka miary ciśnienia.

CIŚNIENIE WŁĄCZANIA: Kiedy silnik nie pracuje, a nadal używa się narzędzia pneumatycznego, ciśnienie w zbiorniku maleje. Kiedy ciśnienie w zbiorniku spadnie do określonej wartości, zwanej „ciśnieniem włączania”, silnik włączy się automatycznie.

CIŚNIENIE WYŁĄCZANIA: Kiedy użytkownik włączy sprężarkę, ciśnienie powietrza w zbiorniku zacznie wzrastać. Osiąga ono określoną wartość, silnik wyłącza się automatycznie, co zabezpiecza zbiornik przed ciśnieniem wyższym od założonego w projekcie. Wartość tę nazywamy „ciśnieniem wyłączania”.

OBCIĄŻENIE CYKLU

Wszystkie sprężarki powietrza produkcji firmy Makita są przeznaczone do pracy przy obciążeniu cyklu nie większym od 50%. Oznacza to, że sprężarka pompująca powietrze przez czas większy niż 50% całkowitego czasu pracy jest przeciążona; jej moc jest zbyt mała dla zaspokojenia wymaganego zapotrzebowania na powietrze.

INFORMACJE OGÓLNE

Niniejsza sprężarka powietrza jest wyposażona w pompę bezolejową, zaprojektowaną pod kątem wytrzymałości i nie wymagającą konserwacji.

Niniejsza sprężarka może być używana do współpracy ze zszywaczami i sztyfciami oraz o odpowiednich parametrach pneumatycznych. Do tych zastosowań tych dostarczany jest reduktor ciśnienia powietrza.

⚠️ OSTRZEŻENIE:

Sprężarki tej nie wolno używać do zastosowań innych niż zasilanie zszywaczy lub sztyfciarek o odpowiednich parametrach pneumatycznych. Używanie tej sprężarki do innych celów może powodować obrażenia ciała i straty materialne.

W razie potrzeby należy używać oddzielnych urządzeń redukcyjnych regulujących ciśnienie oraz/lub usuwających wilgoć i zanieczyszczenia.

KONTROLA PRZY ODBIORZE

USZKODZENIA: Przed wysyłką każda sprężarka jest dokładnie sprawdzana. W wyniku niewłaściwego obchodzenia się podczas transportu mogą nastąpić uszkodzenia mające ujemny wpływ na pracę urządzenia.

Bezpośrednio po odbiorze, należy sprawdzić, czy urządzenie nie wykazuje widocznych oraz ukrytych uszkodzeń; pozwoli to uniknąć ponoszenia kosztów usuwania tych uszkodzeń. Sprawdzenie to należy wykonać niezależnie od widocznego stanu opakowania. Jeśli produkt ten został dostarczony użytkownikowi bezpośrednio, użytkownik powinien zgłosić przewoźnikowi ewentualne uszkodzenia i zwrócić się o natychmiastowe przeprowadzenie badania.

PRZECHOWYWANIE

Zanim sprężarkę przeznaczysz się do przechowywania, należy:

1. Przejrzeć rozdziały „Konserwacja” oraz „Obsługa” i wykonać odpowiednie czynności. Koniecznie usunąć wodę ze zbiornika powietrza.
2. Zabezpieczyć przed uszkodzeniami (powodowanymi przez, np. deptanie lub najezdzenie) kabel zasilający oraz przewód powietrza.

Przechowuj sprężarkę w czystym i suchym miejscu.

OPIS DZIAŁANIA

ZAWÓR SPUSTOWY: Zawór spustowy znajduje się u dołu zbiornika powietrza i służy do usuwania - po każdorazowym użyciu sprężarki - skroplonej w zbiorniku wilgoci.

BEZPIECZNIK TERMICZNY:

Silnik elektryczny sprężarki jest wyposażony w ręczny resetowany bezpiecznik termiczny. Kiedy z dowolnej przyczyny silnik przegrzeje się, bezpiecznik ten wyłączy go. Należy wtedy przestawić wyłącznik bezpieczeństwa na „off” (wyłączone) i poczekać, aż silnik ostygnie i dopiero wtedy wcisnąć przycisk ponownego uruchomienia („reset”) sprężarki.

PRZECIĄŻENIOWY BEZPIECZNIK TERMICZNY SILNIKA:

Kiedy nominalna wartość prądu silnika zostanie przekroczona, bezpiecznik termiczny zadziała automatycznie odcinając zasilanie silnika. Przed ponownym uruchomieniem należy pozwolić, aby silnik ostygł. Kiedy silnik ostygnie, sprężarka uruchomi się automatycznie.

PRZEŁĄCZNIK ON/AUTO - OFF (WŁ/AUTO):

Przełącznik ten należy ustawić na „on” (włączone), aby zasilanie było podawane automatycznie do wyłącznika bezpieczeństwa, oraz na „off” (wyłączone), aby zasilanie było odłączone po zakończeniu pracy, lub kiedy sprężarka ma być pozostawiona bez opieki.

FILTR WLOTU POWIETRZA:

Jego zadaniem jest usuwanie zanieczyszczeń powietrza pobieranego przez pompę sprężarki. Filtr ten musi być zawsze czysty i odsłonięty. Patrz rozdział „Konserwacja”.

POMPA SPRĘŻARKI:

Tłok pompy przesuwa się w cylindrze w górę i w dół sprężając powietrze. Podczas suwu tłoka w dół, powietrze jest zasysane poprzez zawór dolotowy. Zawór wylotowy pozostaje zamknięty. Powietrze jest sprężane podczas suwu tłoka w górę. Zawór dolotowy zamyka się i sprężone powietrze zostaje wypchnięte przez zawór wylotowy, rurkę wylotową i zawór zwrotny do zbiornika powietrza. Użyteczne powietrze nie jest dostarczane dopóki ciśnienie w zbiorniku nie wzrośnie ponad wartość ustawioną na wylocie powietrza.

ZAWÓR ZWROTNY:

Kiedy sprężarka pracuje, zawór zwrotny jest „otwarty”, co umożliwia przepływ sprężonego powietrza do zbiornika. Kiedy ciśnienie wzrośnie do wartości „cut-out” (wyłączenia), zawór zwrotny zamknie się, zatrzymując w zbiorniku sprężone powietrze.

ZAWÓR SPUSTOWY WYŁĄCZNIKA BEZPIECZEŃSTWA:

Zawór ten znajduje się z boku wyłącznika bezpieczeństwa i służy do automatycznego wypuszczania sprężonego powietrza z głowicy sprężarki oraz rurki wylotowej, kiedy ciśnienie osiągnie wartość „cut-out” (wyłączenia).

WYŁĄCZNIK BEZPIECZEŃSTWA:

Wyłącznik bezpieczeństwa włącza silnik automatycznie, kiedy ciśnienie w zbiorniku spadnie do ustawionej fabrycznie wartości „cut-in” (włączenia). Natomiast, kiedy ciśnienie w zbiorniku wzrośnie do ustawionej fabrycznie wartości „cut-out” (wyłączenia), wyłącznik bezpieczeństwa wyłączy silnik.

ZAWÓR BEZPIECZEŃSTWA:

Jeśli wyłącznik bezpieczeństwa nie wyłączy sprężarki przy ustawionej wartości ciśnienia „cut-out”, zawór bezpieczeństwa uchroni przed dalszym wzrostem ciśnienia otwierając się i obniżając ciśnienie do ustawionej fabrycznie wartości, która jest nieco wyższa od ustawionej dla wyłącznika bezpieczeństwa wartości „cut-out”.

MANOMETR CIŚNIENIA WYJŚCIOWEGO:

Manometr ciśnienia wyjściowego pokazuje ciśnienie powietrza dostępnego na wylocie reduktora. Ciśnienie jest regulowane przez reduktor i ma zawsze wartość niższą lub równą ciśnieniu w zbiorniku. Patrz rozdział „Obsługa”.

MANOMETR CIŚNIENIA W ZBIORNIKU:

Manometr ten pokazuje wartość ciśnienia w zbiorniku.

REDUKTOR:

Ciśnienie powietrza wychodzącego ze zbiornika jest regulowane pokrętką reduktora. Obracanie tego pokrętki w prawo zwiększa ciśnienie, a w lewo obniża je. Aby po dokonaniu zmiany wartości ciśnienia uniknąć niewielkich poprawek, należy zmieniać wartość ciśnienia od niższej do wyższej. Zmniejszając ciśnienie, należy najpierw ustawić wartość nieco niższą od wymaganej. W zależności od zapotrzebowania na powietrze dla danego narzędzia, regulować wartość ciśnienia można podczas pracy z narzędziem.

WYJŚCIE SPRĘŻONEGO POWIETRZA; oznaczenie „HP”

Do stosowania wyłącznie z narzędziami pneumatycznymi na wysokie ciśnienie

Maksymalne ciśnienie wyjściowe: 2,6 MPa (26 bar)

WYJŚCIE SPRĘŻONEGO POWIETRZA; oznaczenie „RP”

Do stosowania z narzędziami pneumatycznymi na ciśnienie normalne

Maksymalne ciśnienie wyjściowe: 0,9 MPa (9 bar)

INSTALACJA ORAZ PRZYGOTOWANIE DO PRACY

MIĘSCIE PRACY SPRĘŻARKI

Sprężarkę należy używać w miejscach czystych, suchych i dobrze wentylowanych. Filtr powietrza musi być nie zasłonięty, tak aby nie było ograniczeń dla dopływu powietrza do sprężarki. Sprężarka powinna być umieszczona co najmniej 30 cm od ścian lub innych

przeszkód blokujących przepływ powietrza. Głowica sprężarki oraz jej osłony umożliwiają prawidłowe chłodzenie. Przy wysokiej wilgotności można na wylocie powietrza zainstalować filtr usuwający nadmierną wilgoć. Instaluj ten filtr przestrzegając jego instrukcji. Ustaw sprężarkę na płaskiej powierzchni, tak aby pewnie spoczywała na gumowych podkładkach ramy.

SMAROWANIE

Niniejsza sprężarka powietrza jest wyposażona w pompę bezolejową, zaprojektowaną pod kątem wytrzymałości i nie wymagającą konserwacji.

Zasilanie

Sprężarkę tę należy zasilać prądem o napięciu podanym na jej tabliczce znamionowej, a dopuszczalna odchyłka nie może przekraczać $\pm 5\%$. Zasilanie napięciem wyższym od nominalnego spowoduje pracę silnika z nadmiernie wysokimi obrotami, przez co silnik może się spalić; urządzenie zostanie uszkodzone.

Przedłużacze

Aby nie dopuścić do spadku napięcia zasilania, obniżenia mocy urządzenia oraz przegrzewania się silnika, należy zamiast przedłużacza kabla używać dodatkowego przewodu powietrznego. Niskie napięcie może uszkodzić silnik.

Jeśli trzeba koniecznie użyć przedłużacza kabla zasilającego:

- Należy stosować wyłącznie zaleconego, 3-żyłowego przedłużacza z 3-stykową, uziemiającą wtyczką oraz 3-stykowym, uziemiającym gniazdem, pasującym do wtyczki kabla sprężarki.
- Przedłużacz musi być w dobrym stanie.

Należy koniecznie stosować podane w poniższej tabeli MINIMALNE wymagania w stosunku do kabli zasilających:

Zakres wartości pobieranego prądu (220 - 240 V)	Całkowita długość kabla, w metrach					
	10 m 25 ft.	15 m 50 ft.	20 m 75 ft.	30 m 100 ft.	50 m 150 ft.	60 m 200 ft.
0 - 5 A	1,5 mm ²	1,5 mm ²	1,5 mm ²	2,5 mm ²	4 mm ²	4 mm ²
5,1 - 8 A	1,5 mm ²	1,5 mm ²	2,5 mm ²	4 mm ²	4 mm ²	4 mm ²
8 - 12 A	2,5 mm ²	2,5 mm ²	4 mm ²	Nie zalecane		

Instalacja rurowa

Rury plastikowe lub z PCW nie nadają się do stosowania w instalacjach sprężonego powietrza. Niezależnie od podawanych wartości wytrzymałości na ciśnienie, rura plastikowa może pęknąć pod wpływem ciśnienia. W instalacjach sprężonego powietrza należy używać wyłącznie rur metalowych. Jeśli wymagana jest dodatkowa rura, musi ona mieć co najmniej ten sam przekrój co rurka wylotowa sprężarki, lub większy. Cieńsza rura będzie ograniczała przepływ powietrza. Dla długości powyżej 30 metrów należy użyć rury o następnym, większym wymiarze przekroju. Rury układane

w ziemi powinny być poniżej poziomu zamarzania; należy też unikać pozostawiania przestrzeni powietrznych, gdzie wilgoć mogła by zbierać się i zamarzać. Przed przykryciem ziemi ułożonych rur, należy sprawdzić pod ciśnieniem szczelność połączeń.

Instrukcja uziemienia

⚠ OSTRZEŻENIE: Zagrożenie porażeniem prądem! W przypadku powstania zwarcia, uziemienie zmniejsza groźbę porażenia stanowiąc dla prądu drogę do ziemi. Sprężarka musi być prawidłowo uziemiona.

Sprężarka ta posiada kabel zasilający z przewodem uziemiającym i odpowiednią wtyczką sieciową. Wtyczkę tę należy wsuwać do gniazd zainstalowanych i uziemionych zgodnie ze wszystkimi miejscowymi przepisami. Gniazda te muszą mieć ten sam układ

przewodów jak wtyczka sprężarki. NIE WOLNO UŻYWAĆ ZADNYCH 'ADAPTERÓW'

Przed każdym użyciem należy sprawdzić wtyczkę i kabel. Nie wolno ich używać, kiedy widoczne są uszkodzenia.

NIEBEZPIECZEŃSTWO:

Nieprawidłowe uziemienie może powodować porażenie prądem. Nie wolno modyfikować zainstalowanej wtyczki sieciowej. Jeśli wtyczka nie pasuje do gniazda w miejscu pracy, wtedy uprawniony elektryk powinien tam zainstalować właściwe gniazdo.

UŻYTKOWANIE

Codzienna lista kontrolna

MONTAŻ PRZEWODÓW POWIETRZNYCH

⚠ OSTRZEŻENIE:

Zagrożenia związane z niebezpiecznym użytkowaniem. Podczas łączenia i rozłączania, przewód należy trzymać mocno dłońmi, aby nie się nie wywinął.

Utrata panowania nad węzłem może spowodować obrażenia ciała i szkody materialne.

1. Przed podłączeniem przewodu powietrznego lub akcesoriów, należy się upewnić, że dźwignia wyłącznika bezpieczeństwa jest ustawiona na „OFF” (wyłączone), a reduktor lub zawór zwrotny są zamknięte.
2. Podłącz przewód powietrzny i akcesoria. Zbyt wysokie ciśnienie grozi rozsadzeniem. Sprawdź maksymalną wartość ciśnienia zalecaną przez wytwórców narzędzi pneumatycznych i akcesoriów. Ciśnienie wylotowe reduktora nie może nigdy przekroczyć nominalnego ciśnienia maksymalnego.
3. Przeważ dźwignię wyłącznika bezpieczeństwa na „ON/AUTO” (włączone/auto) i zaczekaj, aż ciśnienie wzrośnie. Silnik się wyłączy, kiedy ciśnienie w zbiorniku osiągnie wartość „cut-out”(wyłączenia).
4. Otwórz reduktor obracając w prawo. Ustaw na reduktorze właściwe ciśnienie. Teraz Twoja sprężarka jest gotowa do pracy.
5. Należy zawsze używać sprężarkę w miejscach dobrze wentylowanych, wolnych od oparów benzyny lub rozpuszczalników. Sprężarki nie należy trzymać blisko miejsca natryskiwania/rozpylania.

Po zakończeniu pracy:

ODŁĄCZ PRZEWODY POWIETRZNE

⚠ OSTRZEŻENIE:

Zagrożenia związane z niebezpiecznym użytkowaniem. Podczas łączenia i rozłączania, przewód należy trzymać mocno i pewnie w dłoni. Utrata panowania nad węzłem może spowodować obrażenia ciała i szkody materialne.

6. Przeważ dźwignię wyłącznika bezpieczeństwa na „OFF” (wyłączone).
7. Jeśli były używane narzędzia lub akcesoria pneumatyczne, zmniejsz ciśnienie w zbiorniku do zera.
8. Odłącz narzędzie lub akcesoria.

9. Usuń ze zbiornika wodę otwierając zawór spustowy u dołu zbiornika. WEWNĄTRZ ZBIORNIKA SKRAPLA SIĘ WILGOĆ. JEŚLI SIĘ JEJ NIE USUNIE, BĘDZIE KORODOWAĆ ŚCIANĘ ZBIORNIKA, OSŁABIAJĄC GO, CO GROZI PĘKNIĘCIEM.

Uwaga:

Jeśli zawór spustowy jest zatkany, należy zmniejszyć ciśnienie do zera. Następnie zawór można będzie wymontować, oczyścić i ponownie zamontować.
10. Po usunięciu wody zamknij zawór spustowy. Teraz sprężarkę można przechowywać.

⚠ OSTRZEŻENIE:

Zbiornik powietrza musi być prawidłowo opróżniany. Niewłaściwe opróżnienie zbiornika może powodować korozję zbiornika i zagrożenie jego rozsądzeniem. Rozsądzenie zbiornika powietrza spowodować obrażenia ciała i szkody materialne. Dodatkowo zalecenie w pierwotnym ostrzeżeniu jest powtórzeniem treści zawartej w powyższym punkcie 9. Poza tym nie wskazuje na konieczność wyłączenia sprężarki.

KONSERWACJA

⚠ OSTRZEŻENIE:

Nie wolno używać sprężarki uszkodzonej lub działającej nieprawidłowo.

Kiedy wydaje się, że sprężarka nie działa normalnie, słychać dziwne dźwięki lub występują nienormalne drgania, albo inne objawy uszkodzenia, należy natychmiast ją wyłączyć i zorganizować naprawienie przez autoryzowany serwis Makita.

⚠ OSTRZEŻENIE:

Należy stosować wyłącznie oryginalne części zamienne firmy Makita. Stosowanie części zamiennych producentów innych niż Makita może unieważnić gwarancję oraz powodować nieprawidłowe działanie urządzenia i może skutkować uszkodzeniem ciała. Oryginalne części zamienne firmy Makita są dostępne u autoryzowanych dealerów.

⚠ OSTRZEŻENIE:

URZĄDZENIE TO URUCHAMIA SIĘ SAMOCZYNNIE, KIEDY JEST ZASILANE. PODCZAS WYKONYWANIA CZYNNOŚCI KONSERWACYJNYCH ISTNIEJE RYZYKO PORAŻENIA PRĄDEM, ZAGROŻENIE SPRĘŻONYM POWIETRZEM, LUB RUCHOMYMI CZĘŚCIAMI. MOŻE TO POWODOWAĆ OBRĄŻENIA CIAŁA. PRZED PRZYSTĄPIENIEM DO WYKONYWANIA JAKICHKOLWIEK CZYNNOŚCI KONSERWACYJNYCH, NALEŻY ODŁĄCZYĆ SPRĘŻARKĘ OD ZASILANIA I ZMNIJSZYĆ CIŚNIENIE DO ZERA.

Aby sprężarka ta pracowała sprawnie i długo, należy opracować i przestrzegać planu czynności konserwacyjnych. Następujący plan konserwacji został opracowany dla normalnych warunków codziennej pracy. W razie potrzeby plan ten należy dostosować do rzeczywistych warunków pracy użytkownika. Zmiany planu konserwacji mogą zależeć od czasu pracy oraz innych warunków. Sprężarka wykorzystywana w bardzo zanieczyszczonym i niesprzyjającym otoczeniu wymaga częstszego sprawdzania i konserwacji.

NORMALNY PLAN KONSERWACJI

1. Usunąć wodę ze zbiornika, ew. separatorów wilgoci, itp.
2. Sprawdzić, czy nie występują niezwykle odgłosy lub drgania.
3. Sprawdzić ręcznie, czy wszystkie zawory bezpieczeństwa działają właściwie.

⚠ OSTRZEŻENIE: Zagrożenie rozsadzeniem. Sprawdź zawór bezpieczeństwa. Jeśli zawór bezpieczeństwa nie działa prawidłowo, wtedy nadmierny wzrost ciśnienia może rozerwać lub

rozsadzić zbiornik powodując obrażenia ciała i szkody materialne.

4. Sprawdzić filtr powietrza i w razie potrzeby wymień.
5. Sprawdzić, czy przewody powietrzne i złącza są szczelne i w razie potrzeby napraw. Co najmniej raz w roku, lub kiedy jest podejrzenie wystąpienia nieszczelności:
 - Sprawdzić stan zaworów - wlotowego i wylotowego - pompy sprężarki.
 - Sprawdzić stan zaworu zwrotnego. Jeśli jest uszkodzony lub zużyty - wymień.
6. Pilnuj, aby wszystkie wkręty, śruby i pokrywy były silnie dokręcone/zamocowane. Systematycznie sprawdzaj ich stan.

⚠ OSTRZEŻENIE:

Należy dbać, aby wszystkie śruby, wkręty i pokrywy były dokręcone i zamocowane. Jeśli elementy te poluzują się, może to spowodować obrażenia ciała i szkody materialne.

1) ROZWIĄZYWANIE PROBLEMÓW

PROBLEM	PRZYCZYNA	ROZWIĄZANIE
Narzędzie nie uruchamia się	Przegrany bezpiecznik lub zadziałał wyłącznik automatyczny; Obłuzowane połączenia elektryczne; Nieprawidłowy przedłużacz; Przegrzany silnik	Sprawdzić przyczynę i wymienić wadliwy element lub zresetować narzędzie; Sprawdzić połączenia kabli: maks. 5m/50st., min. 14ga; Wcisnąć przycisk Reset/zacześć na reset automatyczny.
Niskie ciśnienie	Wyciek powietrza z zaworu bezpieczeństwa Opór filtra powietrza Wadliwy zawór zwrotny	Sprawdzić ręcznie zawór: pociągnąć do góry za pierścienie. Jeżeli problem utrzymuje się, wymienić zawór; Wyczyścić lub wymienić filtr powietrza; Wymienić zawór zwrotny.
Zwolnienie zaworu bezpieczeństwa	Wadliwy przełącznik lub nieprawidłowe wyrównanie.	Sprawdzić prawidłowe wyrównanie - jeżeli problem utrzymuje się, wymienić przełącznik.

2) OSTRZEŻENIE!

Transportowanie i podnoszenie narzędzia w niewłaściwy sposób spowoduje jego uszkodzenie.

Codzienna konserwacja

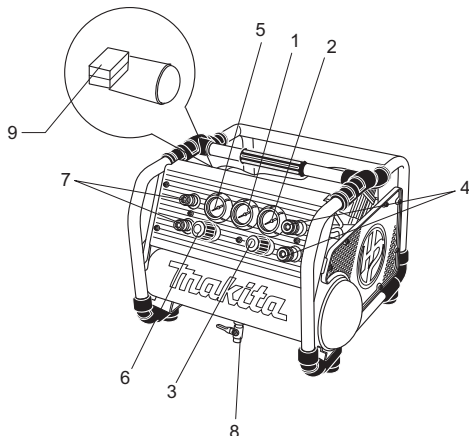
1. Przed każdym użyciem:
 - A Upewnić się, że wszystkie nakrętki i śruby są solidnie dokręcone.
 - B Sprawdzić narzędzie pod kątem nietypowych odgłosów lub drgań.
2. Po każdym użyciu:

Spuścić całe powietrze ze zbiornika powietrza. Otworzyć kurek spustowy u dołu zbiornika powietrza, aby spuścić kondensat, który zgromadził się w zbiorniku.
3. Cotygodniowa konserwacja:
 - A Sprawdzić sprawność zaworu bezpieczeństwa.
 - B Sprawdzić, czy ciśnienie znamionowe przełącznika powietrza wynosi 2,8 Mpa.
 - C Wyczyścić filtr powietrza.
4. Comiesięczna konserwacja:
 - A Sprawdzić system pneumatyczny pod kątem wycieków przy użyciu wody z mydłem na wszystkich punktach połączenia. W przypadku zauważenia nieszczelności dokręcić te połączenia.

- B Sprawdzić prawidłowe dokręcenie wszystkich nakrętek i śrub.
 - C Wymienić filtr powietrza na nowy.
 - D Wyczyścić powierzchnię sprężarki.
5. Konserwacja kwartalna:
 - A Sprawdzić stopień zużycia cylindra i tłoka.

Kopskata skaidrojums

1. Gaisa tvertnes manometrs
2. Regulējamais manometrs "HP"
3. Gaisa regulētājs "HP"
4. Ātrie savienotāji "HP" (Gaisa izvade)
5. Regulējamais manometrs "RP"
6. Gaisa regulētājs "RP"
7. Ātrais savienotājs "RP" (Gaisa izvade)
8. Iztecināšanas vārsts
9. Spiediena slēdzis



TEHNISKIE DATI

Modelis	AC310H
Maksimālā ieejas jauda	1800 W
SCFM @ 40 PSIG (L/min. @ 2,8 bāri)	3,7 (106 L)
SCFM @ 90 PSIG (L/min. @ 6,2 bāri)	3,6 (101 L)
SCFM @ 300 PSIG (L/min. @ 21 bāri)	2,7 (77 L)
Ieslēgšanās spiediens	2,3 MPa (23 bāri)
Izslēgšanās spiediens	2,8 MPa (28 bāri)
Cilindra gabarīti x Virzuļa gājiens x Daudzums	62 mm x 31 mm x 1,45 mm x 10 mm x 1
Spriegums - vienfāzes	220 - 240 V AC
Hz	50 Hz
Motora apgriezienu skaits minūtē	1420 min. ⁻¹
Eļļoļāna	Eļļošana nav nepieciešama
Tvertnes izmērs	1,6 galoni (6,2 L)
Svars	36 kg (79,4 lb)
Gabarīti (G x A x P)	18-3/4" x 14-3/4" x 20" (476 x 375 x 507 mm)
Maksimālais izejas spiediens "HP" (Tikai augstspiediena pneimatiskai izmantošanai)	2,6 MPa (26 bāri)
Maksimālais izejas spiediens "RP" (Tikai parastā spiediena pneimatiskai izmantošanai)	0,9 MPa (9 bāri)
Trokšņa līmenis	L _{WA} 90 dB

- Nepārtrauktās izpētes un attīstības programmas īstenošanas rezultātā šeit norādītie tehniskie dati bez brīdinājuma var tikt mainīti.
- Piezīme: Tehniskie dati dažādās valstīs var būt atšķirīgi.

Minimālā nepieciešamā strāva: 7 AMP

* Ieteicams izmantot slēgiekārtu. Izmantojiet tikai tādu drošinātāju vai slēgiekārtu, kuras parametri ir tādi paši kā strāvas atzarojumam, kas nodrošina kompresora barošanu. Ja kompresors ir pievienots ķēdei, ko aizsargā drošinātāji, izmantojiet drošinātājus ar laikaizturi.

SVARĪGI

Pirms ekspluatācijas rūpīgi iepazīstieties ar "Drošības vadlīnijām" un VISĀM instrukcijām.

Simboli

Zemāk ir attēloti simboli, kas attiecas uz iekārtu. Pirms ierīces izmantošanas pārliecinieties, vai pareizi izprotat tās nozīmi.



..... Izlasiet rokasgrāmatu.



..... Elektrošoka rašanās risks.
Uzmanību: pirms jebkādu kompresora apkopes darbu veikšanas tas ir jāatvieno no barošanas tīkla.



..... Augstas temperatūras rašanās risks.
Uzmanību: kompresora sastāvā ir dažas detaļas, kas var sakarst līdz augstai temperatūrai.



..... Nejaušas ieslēgšanās risks.
Uzmanību, elektroapgādes tīkla avārijas un turpmākās darbības atjaunošanās gadījumā kompresors var ieslēgties automātiski.



..... Uzvelciet aizsargbrilles.



..... Tikai ES valstīm
Neizmest elektrisko aprīkojumu sadzīves atkritumos!
Saskaņā ar Eiropas direktīvu par lietotajām elektroiekārtām un elektronikas iekārtām 2002/96/EK un tās iekļaušanu valsts likumdošanā lietotais elektriskais aprīkojums jāsavāc atsevišķi un jānogādā otrreizējai pārstrādei vidi saudzējošā veidā.

SVARĪGI DROŠĪBAS NOTEIKUMI

⚠ BRĪDINĀJUMS

IZLASIET UN SAPROTIET VISUS NORĀDĪJUMUS

Neievērojot tālāk minētos norādījumus, var saņemt elektriskās strāvas triecienu, izraisīt ugunsgrēku un/vai gūt nopietnu ievainojumu.



SAGLABĀJIET ŠOS NORĀDĪJUMUS.

DARBA VIETA

1. Rūpējieties, lai darba vieta būtu tīra un labi apgaismota. Nesakārtotā un vāji apgaismotā darba vietā iespējams izraisīt negadījumus.
2. Nelietojiet mehanizētos darbarīkus sprādzienbīstamā vidē, piemēram, uzliesmojošu

šķidrums, gāzu vai putekļu tuvumā. Mehanizētie darbarīki rada dzirksteles, kas var aizdedzināt putekļus vai izgarojumu tvaikus.

3. **Strādājot ar mehanizēto darbarīku, neļaujiet tuvumā atrasties bērniem, nepiederošām personām vai apmeklētājiem.** Novēršot uzmanību, varat zaudēt kontroli pār darbarīku. Aizsargājiet darba vietā esošas personas no būvgružiem, piemēram, skaidām un dzirkstelēm. Ja nepieciešams, nodrošiniet aizsardzības nožogojumus vai ekrānus. Bērni nekad nedrīkst atrasties darba zonā!
4. **Piemērota telpas temperatūra ir no +5°C līdz +30°C. (no 0°C līdz maks. +40°C)**

⚠ BRĪDINĀJUMS

RAŽOJUMA NEPAREIZA EKSPLUATĀCIJA VAI APKOPE REZULTĀTĀ VAR RADĪT NOPIETNAS TRAUMAS UN MANTAS BOJĀJUMUS.

PIRMS IEKĀRTAS LIETOŠANAS IEPAZĪSTIETIES AR VISIEM BRĪDINĀJUMIEM UN LIETOŠANAS INSTRUKCIJĀM UN PĀRLIECINIETIES, KA JUMS TIE IR SAPROTAMI.

⚠ BRĪDINĀJUMS

Nedrošas ekspluatācijas risks

KAS VAR ATGADĪTIES?

Nedroša jūsu iegādātā gaisa kompresora ekspluatācija rezultātā var radīt nopietnas traumas gan jums, gan pārējiem.

KĀ TO NOVĒRST

- Pārbaidiet un pārliecinieties, ka saprotat visus šajā rokasgrāmatā sniegtos norādījumus un brīdinājumus.
- Iepazīstieties ar gaisa kompresora ekspluatāciju un vadības ierīcēm.
- Sargājiet ekspluatācijas telpu no jebkuru personu, mājdzīvnieku un traucēkļu iekļūšanas tajā.
- Vienmēr sargājiet bērns no piekļūšanas gaisa kompresoram.
- Neizmantojiet ražojumu, ja esat noguris vai atrodaties alkohola vai narkotiku ietekmē. Vienmēr esiet uzmanīgi.
- Nekādā gadījumā neizjauciet ražojuma drošības ierīces.
- Apgādājiet ekspluatācijas telpu ar ugunsdzēsības aparātu.
- Neveiciet iekārtas ekspluatāciju, ja tai trūkst atsevišķu daļu, ja tās ir salauztas vai ja tā ir aprīkota ar neatļautām detaļām.

⚠ BRĪDINĀJUMS

Gaisa tvertnes pārsprāgšanas risks

KAS VAR ATGADĪTIES?

- Tvertnes izturības pasliktināšanās var izraisīt tālāk norādītie apstākļi, kas VAR RADĪT SPĒCĪGU TVERTNES EKSPLOZIJU, KURAS REZULTĀTĀ VAR RASTIES NOPIETNAS TRAUMAS VAI NU JUMS, VAI PĀRĒJIEM.
- Nepareizi veikta kondensētā ūdens izvadīšana no tvertnes rada rūsū un tvertnes sieniju dilšanu.
 - Tvertnes modifikācijas vai remonta mēģinājumi.



- Neatļaut spiedienu slēdža, drošības vārsta vai citu tās daļu, kas kontrolē spiedienu tvertnē, modifikācija.

KĀ TO NOVĒRST

- Izvadiet ūdeni no gaisa tvertnes reizi dienā vai katru reizi pēc ekspluatācijas. Ja tvertnē rodas noplūde, nekavējoties to aizvietojiet ar jaunu tvertni vai nomainiet visu kompresoru.
- Neveiciet tajā nekādus urbumus, metināšanu vai citas gaisa tvertnes modifikācijas, vai arī tās izturība pasliktināsies. Tvertnē var rasties caursīte vai arī tā var pārsprāgt. Aizvietojiet ar jaunu gaisa tvertni.
- Ievērojiet iekārtas ražotāja ieteikumus un nekādā gadījumā nepārsniedziet maksimālos pieļaujamus papildierīču spiediena parametrus. Nekādā gadījumā neizmantojiet kompresoru, lai piepildītu ar gaisu zema spiediena priekšmetus, tādus kā bērnu rotaļlietas, futbola bumbas, basketbola bumbas u.c.

⚠ BRĪDINĀJUMS



Papildierīču un piederumu pārsprāgšanas risks

KAS VAR ATGADĪTIES?

Gaisa rīki, smidzināšanas pistoles, ar gaisu darbināmie piederumi, riepās UN citas piepūšamās daļas var pārsprāgt vai izjukt un rezultātā var radīt nopietnas traumas gan jums, gan pārējiem.

⚠ BRĪDINĀJUMS



Elektrošoka rašanās risks

KAS VAR ATGADĪTIES?

- Gaisa kompresors darbojas izmantojot elektroenerģiju. Tāpat kā citas ar elektroenerģiju darbināmās iekārtas, tas var radīt elektrošoku, ja netiek darbināts pareizi.
- Elektriskais zemējums: nepietiekama zemējuma gadījumā ražojuma elektrošoka rašanās risks palielinās.

KĀ TO NOVĒRST

- Jebkādus ražojuma elektrības vadu slēgumus vai to remontu ir nepieciešams veikt kvalificētam servisa personālam vai licencētam elektrīķim atbilstoši attiecīgās valsts vai pašvaldības elektroapgādes noteikumiem.
- Pārlicinieties, ka elektrības ķēde, kurai ir pieslēgts kompresors, nodrošina atbilstošu elektrisko zemējumu, atbilstošu spriegumu un pietiekamu drošinātāju aizsardzību.
- Nekādā gadījumā neveiciet kompresora ekspluatāciju ārpus telpām, ja līst lietus, vai mitrā vidē.
- Nekādā gadījumā neveiciet kompresora ekspluatāciju ar aizsargierīcēm vai pārsegiem, kas ir bojāti vai atvienoti.

⚠ BRĪDINĀJUMS



Eksplozijas un ugunsgrēka rašanās risks

KAS VAR ATGADĪTIES?

Parasti elektriskajos kontaktos, kas atrodas motorā un spiediena slēdžī, rodas dzirksteles iekreiz, kad kompresors sāk vai pārstāj darboties. Nekādā gadījumā neveiciet kompresora ekspluatāciju atmosfērā, kurā ir uzliesmojoši izgarojumi. Šādas rīcības rezultātā var tikt radītas traumas gan jums, gan pārējiem.

KĀ TO NOVĒRST

- Vienmēr veiciet kompresora ekspluatāciju labi vēdinātā telpā, kurā nav degvielas vai šķīdinātāju izgarojumu.
- Ja tiek veikta uzliesmojošu vielu izsmidzināšana, novietojiet kompresoru vismaz 6,1 m attālumā no izsmidzināšanas vietas.
- Glabājiet uzliesmojošās vielas drošā vietā, pienācīgā attālumā no kompresora.

⚠ BRĪDINĀJUMS



Elpošanas risks

KAS VAR ATGADĪTIES?

- Saspiestais gaiss, kas nāk no jūsu iegādātā kompresora, elpošanai nav drošs. Gaisa strūkļas sastāvā var atrasties tvana gāze vai citi izgarojumi, vai daļiņas no tvertnes vai citām iekārtas daļām.
- Izsmidzināto vielu, tādu kā krāsa, krāsas šķīdinātājs, krāsas noņēmejs, insekticīdi, herbicīdi u.c. sastāvā var atrasties bīstami izgarojumi un indīgas vielas.
- Kompresora vai izsmidzināto vielu izgarojumu ieelpošana rezultātā var radīt nopietnas miesas bojājumus.

KĀ TO NOVĒRST

- Nekādā gadījumā neieelpojiet gaisu no kompresora, ne tiešā veidā, ne caur kompresoram pievienotu elpošanas līdzekli. Strādājiet telpā, kas ir aprīkota ar pietiekamu šķērsventilāciju.
- Iepazīstieties ar un ievērojiet drošības norādījumus, kas atrodami uz izsmidzināmās vielas etiķetes vai drošības datu lapā. Izmantojiet aprobētu respiratoru, kas ir speciāli izstrādāts izmantošanai atbilstoši jūsu konkrētajam iekārtas lietojuma veidam.

⚠ BRĪDINĀJUMS

Trokšņa risks



Saspiestā gaisa radītais risks



KAS VAR ATGADĪTIES?

Saspiestā gaisa strūkļa var radīt mīksto ausu bojājumus un var sacelt ātru grūžu, skaidu, vajējo daļiņu un mazu priekšmetu virpuli, kas rezultātā var radīt mantas bojājumus vai traumas.

KĀ TO NOVĒRST

- Vienmēr, izmantojot kompresoru un veicot tā apkopi, nēsājiet aprobētas drošības brilles ar sānu aizsegumiem.
- Nekādā gadījumā nevērsiet nevienu no uzgaļiem vai aerosolu pret jebkādu no ķermeņa daļām vai pret citiem cilvēkiem vai dzīvniekiem.
- Vienmēr izslēdziet kompresoru un izvadiet spiedienu no gaisa pievades pirms sākat veikt tā apkopi, pievienot rīkus vai piederumus.

⚠ BRĪDINĀJUMS

Kustīgo daļu radītais risks



KAS VAR ATGADĪTIES?

Taīlīdz kā spiediena slēdzis ir iestatīts pozīcijā "on/auto" (ieslēgts/automātiskais), kompresors sāk automātiski griezties. Ja mēģināsi veikt tā remontu vai apkopi kamēr kompresors darbojas vai ir pieslēgts barošanai, varat pakļaut sevi kustīgo daļu riskam. Kustīgās daļas var radīt nopietnus ievainojumus.

KĀ TO NOVĒRST

- Vienmēr pirms sākat apkopes vai remonta darbus atvienojiet kompresoru no barošanas un izlaidiet gaisa spiedienu no tvertnes un papildierīcēm.
- Nekādā gadījumā neveiciet kompresora ekspluatāciju ar aizsargierīcēm vai pārsegumiem, kas ir bojāti vai atvienoti.
- Kustīgajām daļām netuviniet ne matus, ne apģērbus, ne cimds. Brīvs apģērbs, rotaslietas vai gari mati var iekļerties kustīgajās daļās.
- Gaisa lūkas var būt aizvērtas ar kustīgajām daļām, un ir jāizvairās arī no saskarsmes ar tām.

⚠ BRĪDINĀJUMS

Apdegumu risks



⚠ BRĪDINĀJUMS

Nedarbiniet pārnēsamo kompresoru ar atvērtām durvīm vai pievienojumiem!



⚠ BRĪDINĀJUMS

Neveriet vaļā noslēgierīci, pirms nav pievienota gaisa šļūtene!



KAS VAR ATGADĪTIES?

Saskare ar sakarsētām daļām, tādām kā kompresora galviņa vai izvades caurules, rezultātā var radīt nopietnus ādas apdegumus.

KĀ TO NOVĒRST

- Nekādā gadījumā nepieskarieties sakarsētām daļām kompresora darbības laikā vai uzreiz pēc tam. Nepieskarieties ar rokām vai neveiciet apkopi ap izolētāju izklikti līdz iekārtas atdzišanas brīdim.
- Pārkraušana un pacelšana: rokturi izmantojiet tikai kompresora pārvietošanai vai transportēšanai.
- Lai neizraisītu ievainojumus, neaiztieciet cilindru, cilindra galvu vai izplūdes šļūteni un citas sakarsētas daļas, kad kompresors darbojas, vai stundu pēc tā izslēgšanas.

⚠ BRĪDINĀJUMS

Transportēšana

- a Maksimālais slūpums vilkšanas laikā ir vismaz 30°.
- b Vilkšanai neizmantojiet transporta līdzekļus.
- c Nenovietojiet kompresoru ugunsneidrošos, sprādzienbīstamos vai eroziju izraisošos apstākļos.

VĀRDNĪCA

CFM: Kubikpēdas minūtē (cubic feet per minute).

SCFM: standarta kubikpēda minūtē (standard cubic feet per minute); gaisa padeves mērvienība.

PSIG: mārciņas uz vienas kvadrātkollas mēru (pounds per square inch gauge); spiediena mērvienība.

IESLĒGŠANAS SPIEDIENS: Motoram atrodoties izslēgtā stāvoklī, gaisa tvertnes spiediens krītas kamēr turpināt izmantot piederumus vai gaisa rīku. Brīdīt, kad spiediens tvertnē nokrīt līdz noteiktam līmenim, motors automātiski atsāk darboties un to sauc par "ieslēgšanās spiedienu".

IZSLĒGŠANAS SPIEDIENS: Ieslēdzot gaisa kompresoru, tas sāk darboties, un gaisa spiediens gaisa tvertnē sāk pieaugt. Tas sasniedz noteiktu spiedienu līdz brīdim, kad motors automātiski izslēdzas - tādējādi aizsargājot tvertni no spiediena, kas ir augstāks par projektētā spiediena parametru. Spiediens, kuru sasniedzot motors izslēdzas, tiek saukts par "izslēgšanās spiedienu".

DARBA CIKLS

Visus Makita ražotos gaisa kompresorus ir ieteicams ekspluatēt ar ne vairāk kā pie darba cikla 50% apmērā. Tas nozīmē, ka gaisa kompresors, kas sūknē gaisu vairāk nekā 50% no vienas stundas tiek uzskatīts kā nepareizi lietots, jo kompresoram ir pārāk mazs izmērs šādam gaisa patēriņam.

VISPĀRĒJĀ INFORMĀCIJA

Gaisa kompresors ir aprīkots ar sūkni, kam nav nepieciešama eļļošana, un kas ir izstrādāts ilglaicīgai darbībai bez apkopes veikšanas.

Gaisa kompresoru var lietot ar atbilstošā nomināla pneimatiskajiem naglotājiem un skavotājiem. Šādu darbu veikšanai tas ir aprīkots ar gaisa spiediena regulatoru.

⚠ BRĪDINĀJUMS:

Nekādā gadījumā neizmantojiet kompresoru citu darbu veikšanai, izņemot atbilstošā nomināla pneimatiskā naglotāja un skavotāja kompresora vajadzībām. Kompresora izmantošana citu darbu veikšanai var izraisīt īpašuma bojājumus un personiskus ievainojumus.

Atsevišķi gaisa transformatori, kas apvieno gaisa regulēšanas un/vai mitruma un putekļu likvidēšanas funkcijas, jāizmanto gadījumos, kuros tas ir nepieciešams.

PĀRBAUDE SAŅEMŠANAS BRĪDĪ

BOJĀJUMI: Katra gaisa kompresora iekārta pirms nosūtīšanas tiek rūpīgi izmēģināta un pārbaudīta. Nepareizi ar to apejoties transportēšanas rezultātā var radīt bojājumus un radīt kompresora darbības problēmas.

Uzreiz saņemšanas brīdī pārbaudiet, vai iekārtā nav slēptu un redzamu bojājumu, lai izvairītos no izdevumu rašanās šādu problēmu labošanas gadījumā. To ir nepieciešams veikt neatkarīgi no tā, vai uz sūltījuma konteina ir redzamas jebkādas bojājumu pazīmes. Ja ražojums ir nosūtīts tieši jums, ziņojiet par jebkādiem bojājumiem pārvadātājam un nekavējoties veiciet preču pārbaudi.

GLABĀŠANA

Pirms novietojat gaisa kompresoru tā vietā, noteikti veiciet šādus pasākumus:

1. Pārskatiet sadaļas "Apkope" un "Eksploatācijas procedūras" un veiciet apkopi pēc vajadzības. Noteikti izvadiet ūdeni no gaisa tvertnes.
2. Psargājiet elektrisko vadu un šļūteni no bojājumiem (piemēram, no uzkāpšanas uz tiem vai pārbraukšanas tiem pāri).

Glabājiet gaisa kompresoru tīrā un sausā vietā.

DARBĪBAS APRAKSTS

IZTECINĀŠANAS VĀRSTS: Iztecināšanas vārsts atbrūvē gaisa tvertnes apakšējā daļā un to izmanto, lai izvadītu kondensātu pēc katras lietošanas reizes.

TERMISKĀ SLĒGIEKĀRTA:

Elektromotors ir aprīkots ar manuālu atiestātes termisko slēgiekārtu. Ja kāda iemesla dēļ motors pārkarst, slēgiekārtā ieslēdz motoru. Pagrieziet spiediena slēdzi pozīcijā "off" (izslēgts) un pirms piespiežat atiestātes pogu un no jauna ieslēdzat kompresoru pagaidiet, kamēr iekārta atdziest.

MOTORA TERMISKĀS PĀRSLODZES AIZSARGIERĪCE:

Ja motora strāvas nomināls tiek pārsniegts, termiskā aizsargierīce automātiski atvērs un izslēgs motoru. Motoram jāļauj atdzist pirms atsākt eksploatāciju. Kompresors atsāks darboties automātiski pēc motora.

SLĒDZIS "ON/AUTO - OFF" (IESLĒGTS/ AUTOMĀTISKAIS - IZSLĒGTS):

Pagrieziet šo slēdzi pozīcijā "on" (ieslēgts), lai pievadītu automātisko strāvu spiediena slēdzim, un pozīcijā "off" (izslēgts), lai atslēgtu barošanu pēc tam, kad esat beidzis lietot kompresoru, vai laikā, kad tas tiks atstāts bez uzraudzības.

GAISA IEPLŪDES FILTRS:

Šis filtrs ir izstrādāts ar mērķi atfiltrēt kompresora sūknī ieplūstošo gaisu. Šo filtru vienmēr ir jāsauglabā tīru un uz tā nedrīkst būt nekādu aizsprostojumu. Skatiet sadaļu "Apkope".

GAISA KOMPRESORA SŪKNIS:

Lai saspiestu gaisu, virzulis cilindrā veic kustību virzienā uz augšu un uz leju. Gājienā uz leju gaiss tiek iesūkņēts caur gaisa ieplūdes vārstu. Izplūdes vārsts paliek slēgtā stāvoklī.

Virzuļa gājienā uz augšu gaiss tiek saspiests. Ieplūdes vārsts aizveras un saspiestais gaiss tiek izspiests ārā caur izplūdes vārstu, izejas cauruli, kontroles vārstu un nokļūst gaisa tvertnē. Lietderīgais gaiss nav pieejams

kamēr kompresora gaisa tvertnē spiediens ir paaugstināts virs līmeņa, kāds ir nepieciešams pie gaisa izejas.

KONTROLES VĀRSTS:

Brīdī, kad gaisa kompresors darbojas, kontroles vārsts ir "atvērts", kas ļauj saspiestajam gaisam ieplūst gaisa tvertnē. Brīdī, kad gaisa kompresors sasniedz "izslēgšanās" spiedienu, kontroles vārsts "aizveras", ļaujot gaisa spiedienam palikt gaisa tvertnes iekšienē.

SPIEDIENA SLĒDŽA ATSLOGOŠANAS VĀRSTS:

Spiediena slēdža atslogošanas vārsts atrodas spiediena slēdža sānu malā, tas ir izstrādāts, lai automātiski atbrīvotu saspiesto gaisu no kompresora galviņas un izejas caurules brīdī, kad gaisa kompresors sasniedz "izslēgšanās" spiedienu.

SPIEDIENA SLĒDZIS:

Spiediena slēdzis automātiski ieslēdz motoru brīdī, kad spiediens gaisa tvertnē nokrīt līdz rūpnīcā iestatītam "ieslēgšanās" spiedienam. Tas apstādina motora darbību brīdī, kad spiediens gaisa tvertnē sasniedz rūpnīcā iestatīto "izslēgšanās" spiedienu.

DROŠĪBAS VĀRSTS:

Ja spiediena slēdzis neizslēdz gaisa kompresora darbību pie tā "izslēgšanās" spiediena iestatījuma, drošības vārsts to aizsargās pret paaugstinātu spiedienu "izlecot" brīdī, kad ir sasniegts rūpnīcā iestatītais spiediens, kas ir nedaudz augstāks par spiediena "izslēgšanās" iestatījumu.

IZEJAS SPIEDIENA MĒRS:

Izejas spiediena mērs norāda gaisa spiedienu, kāds ir pieejams regulētāja izejas pusē. Šo spiedienu kontrolē regulētājs un tas vienmēr ir mazāks vai vienāds ar spiedienu tvertnē. Skatiet sadaļu "Eksploatācijas procedūras".

TVERTNES SPIEDIENA MĒRS:

Tvertnes spiediena mērs norāda spiedienu tvertnes iekšienē.

REGULĒTĀJS:

Gaisa spiedienu, kas izplūst no gaisa tvertnes, regulē ar regulētāja pogu. Pagrieziet pogu pulksteņa rādītāja virzienā, ja vēlaties palielināt spiedienu, bet pretēji pulksteņa rādītāja virzienam - ja vēlaties spiedienu samazināt. Lai izvairītos no sīkaku korekciju veikšanas pēc spiediena iestatījumu maiņas, vienmēr tuvojieties vēlamajam spiediena lielumam no zemākā spiediena puses. Samazinot spiedienu no lielāka uz mazāku iestatījumu, vispirms samaziniet to līdz zināmam spiediena līmenim, kas ir zemāks par vēlamo spiedienu. Atkarībā no gaisa patēriņa katra atsevišķā piereduma lietošanas gadījumā, pie izejas regulēto gaisa spiedienu var būt nepieciešams koriģēt vienlaicīgi ar attiecīgā piereduma eksploatāciju.

SASPIESTĀ GAISA IZEJA; apzīmējums "HP"

Tikai augstspiediena pneimatiskā darbarīka izmantošanai Maksimālais izejas spiediens; 2,6 MPa (26 bāri)

SASPIESTĀ GAISA IZEJA; apzīmējums "RP"
Parastā spiediena pneimatiskā darbarīka izmantošanai
Maksimālais izejas spiediens; 0,9 MPa (9 bāri)

UZSTĀDĪŠANA UN DARBA UZSĀKŠANAS PROCEDŪRAS

GAISA KOMPRESORA NOVIETOJUMS

Novietojiet gaisa kompresoru tīrā, sausā un pietiekami ventilētā telpā. Gaisa filtrs ir jāsauglabā tīrs, lai uz tā nebūtu nekādu aizsprostojumu, kas var samazināt gaisa padeves apjomu kompresoram. Kompresors ir jānovieto vismaz 0,3 m attālumā no sienas vai citiem šķēršļiem, kas aizkavē gaisa plūsmu. Gaisa kompresora galviņa un izolētājuzliktnis ir izstrādāts tā, lai ļautu iekārtai pienācīgi atdzist. Ja ir augsts mitruma līmenis, uz gaisa izejas adaptera ir iespējams uzstādīt gaisa filtru, lai likvidētu lieko mitrumu. Lai arezīti veiktu tā uzstādīšanu, sekojiet instrukcijai, kas ir pievienota komplektā ar gaisa filtru. Novietojiet gaisa kompresoru uz līdzsvara virsmas tā, lai tas droši balstītos uz gumijas paliktņiem.

EĻĻOŠANA

Gaisa kompresors ir aprīkots ar sūkni, kam nav nepieciešama eļļošana, un kas ir izstrādāts ilglaicīgai darbībai bez apkopes veikšanas.

Lūdzu, skatiet tālāk pievienoto MINIMĀLO pagarinājuma kabeļa garuma prasību tabulu:

Strāvas stipruma diapazons (220 - 240 V)	Kopējais kabeļa garums metros					
	10 m 25 pcdas.	15 m 50 pcdas.	20 m 75 pcdas.	30 m 100 pcdas.	50 m 150 pcdas.	60 m 200 pcdas.
0 - 5 A	1,5 mm ²	1,5 mm ²	1,5 mm ²	2,5 mm ²	4 mm ²	4 mm ²
5,1 - 8 A	1,5 mm ²	1,5 mm ²	2,5 mm ²	4 mm ²	4 mm ²	4 mm ²
8 - 12 A	2,5 mm ²	2,5 mm ²	4 mm ²	Nav ieteicams		

Caurules

Plastmasas vai PVC caurules netiek izstrādātas izmantošanai darbā ar saspiesto gaisu. Neatkarīgi no norādītajiem tās spiediena parametriem, plastmasas caurule var pārsprāgt no gaisa spiediena. Gaisa sadales līnijās izmantojiet tikai metāla caurules. Ja ir nepieciešams ierīkot gaisa līniju, izmantojiet cauruļi, kam ir vienāds izmērs vai kas ir lielāka nekā gaisa tvertnes izejas atvere. Ja caurules būs pārāk mazas, gaisa plūsma būs ierobežota. Ja cauruļvads ir garāks par 100 pēdām, izmantojiet par vienu izmēru lielāku cauruļi. Ieguldiet pazemes līnijas zem sasaldēšanas līmeņa un izvairieties no ielikumiem, kuros var uzkrāties un sasalt kondensāts. Ievadiet caurulēs spiedienu pirms pazemes cauruļvadu aizbēršanas, lai pārliecinātos, ka nevienā cauruļi savienojumā nav noplūdes.

Zemējumu instrukcija

⚠ BRĪDINĀJUMS: Elektrošoka rašanās risks!
Īssavienojuma gadījumā zemējums samazina šoka rašanās risku, nodrošinot elektriskās strāvas novadīšanas vadu. Gaisa kompresors ir pareizi jāieņem.

Gaisa kompresors ir aprīkots ar kabeli, kurā ir zemējuma vads ar atbilstošu zemējuma kontaktdakšu. Kontaktdakša ir jāizmanto kopā ar kontaktlīdzi, kas ir uzstādīta un

Barošana

Veiciet kompresora ekspluatāciju pie sprieguma, kas ir norādīts uz nomināla plāksnītes, pieļaujama tolerances diapazons ir jāsauglabā $\pm 5\%$ apmērā. Ja izmantojot kompresoru pie lielāka sprieguma nekā nominālais spriegums, tad rezultātā var tikt izraisīta pārāk strauja motora rotācija un tas var radīt iekārtas bojājumus un motors var sadegt.

Pagarinātājuma kabeli

Lai izvairītos no sprieguma krišanās, strāvas zuduma un motora pārkaršanas, pagarinājuma kabeļa vietā izmantojiet pagarinātu gaisa šļūteni. Zems spriegums var radīt motora bojājumus.

Ja tomēr ir jāizmanto pagarinājuma kabelis:

- Izmantojiet tikai aprobežotu 3-vadu pagarinājuma kabeli, kas ir aprīkots ar trīsnažu zemējuma kontaktdakšu un trīsstraužu kontaktlīdzi uz gaisa kompresora, kurā ievietot kontaktdakšu.
- Pārliecinieties, ka pagarinājuma kabelis ir labā stāvoklī.

iezemēta atbilstoši vietējiem elektrības noteikumiem un aktiem. Kontaktlīdzim jābūt konfigurētai tāpat kā kontaktdakšai. NELIETOJIET ADAPTERI.

Pirms katras ekspluatācijas pārbaudiet kontaktdakšu un kabeli. Neveiciet ekspluatāciju, ja ir jebkādas bojājumu pazīmes.

BĪSTAMI:

Nepareizs zemējums rezultātā var radīt elektrošoku. Neveiciet komplektācijā pievienotās kontaktdakšas modifikāciju. Ja tā nav saderīga ar pieejamo kontaktlīdzi, tad kvalificētam elektrīknim ir jāveic atbilstošās kontaktlīdzas uzstādīšana.

EKSPLUATĀCIJAS PROCEDŪRAS

Ikdienas darba uzsākšanas kontrollapa

ŠĻŪTENU UZSTĀDĪŠANA

⚠ BRĪDINĀJUMS:

Nedrošas ekspluatācijas risks. Uzstādot vai atvienojot, stingri satveriet rokās šļūteni, lai izvairītos no šļūtenes trieciena.

Kontroles zudums pār šļūteni var radīt personiskus ievainojumus un īpašuma bojājumus.

1. Pirms gaisa šļūtenes vai piederumu pievienošanas pārliecinieties, ka spiediena svira ir iestatīta pozīcijā "OFF" (IZSLĒGTS) un ka gaisa regulētājs vai izslēgšanas vārsts ir aizvērts.
2. Pievienojiet šļūteni un piederumus. Pārāk liels gaisa spiediens rada bīstamu eksplozijas risku. Pārbaudiet ražotāja noteiktos gaisa rīku un piederumu maksimālā spiediena parametrus. Regulētāja izejas spiediens nekādā gadījumā nedrīkst pārsniegt maksimālā spiediena parametrus.
3. Pagrieziet spiediena slēdža sviru pozīcijā "ON/AUTO" (IESLĒGTS/AUTOMĀTISKAIS) un ļaujiet spiedienam tvertnē pieaugt. Motors pārstās darboties brīdī, kad spiediens tvertnē sasniedz "izslēgšanās" spiedienu.
4. Atveriet regulētāju, pagriežot to pulksteņa rādītāja virzienā. Noregulējiet regulatoru pie pareizā spiediena iestatījuma. Kompresors ir gatavs ekspluatācijai.
5. Vienmēr veiciet kompresora ekspluatāciju labi vēdinātās telpās, kurās nav degvielas vai šķīdinātāju izgarojumu. Neveiciet kompresora ekspluatāciju izsmidzināšanas vietās tuvumā.

Kad darbu esat beidzis:

ŠĻŪTEŅU ATVIEŅOŠANA

⚠ BRĪDINĀJUMS:

Nedrošas ekspluatācijas risks. Uzstādot vai atvienojot, stingri savieriet rokās šļūteni, lai izvairītos no šļūtenes trieciena.

Kontroles zudums pār šļūteni var radīt personiskus ievainojumus un īpašuma bojājumus.

6. Iestatiet spiediena slēdža sviru pozīcijā "OFF" (IZSLĒGTS).
7. Izmantojot gaisa rīku vai piederumu, samaziniet spiedienu tvertnē līdz nullei.
8. Noņemiet gaisa rīku vai piederumu.
9. Izvadiet ūdeni no tvertnes atverot iztecināšanas krāna vārstu, kas atrodas tvertnes apakšējā daļā. **GAISA TVERTNĒ NOTIKS ŪDENS KONDENSĒŠANĀS. JA TAS NETIEK IZTECINĀTS, ŪDENS RADĪS KOROZIJU UN SAMAZINĀS GAISA TVERTNES IZTURĪBU, RADOT CAURSITES RISKU TVERTNĒ.**

Piezīme:

Ja iztecināšanas vārsts ir noslēgts ar aizbāzni, pilnībā atbrīvojiet gaisa spiedienu. Vārstu pēc tam drīkst izņemt, notīrīt un ievietot atpakaļ.

10. Pēc tam, kad ūdens ir izvadīts, aizveriet iztecināšanas vārstu. Gaisa kompresoru tagad drīkst atstāt glabāšanā.

⚠ BRĪDINĀJUMS:

Pareizi izvadiet ūdeni no gaisa tvertnes. Nepareiza ūdens izvadīšana no gaisa tvertnes var radīt koroziju un tvertnes pārsprāgšanas risku. Tvertnes pārsprāgšana var izraisīt personiskus ievainojumus un īpašuma bojājumus. Papildu instrukcija oriģinālajā dokumentā tikai atkārtro augstāk, 9 punktā teikto.

Turklāt tā nenorāda, ka kompresoru vajadzētu izslēgt.

APKOPE

⚠ BRĪDINĀJUMS:

Nekādā gadījumā neizmantojiet gaisa kompresoru, kuram ir darbības traucējumi. Ja gaisa kompresora darbība nav normāla, ja tas rada neparastu troksni vai vibrāciju, nekavējoties pārtrauciet tā ekspluatāciju un nododiet to remontā Makita autorizētā apkopes centrā.

⚠ BRĪDINĀJUMS:

Izmantojiet tika autentiskas Makita ražotas rezerves daļas. Izmantojot rezerves daļas, kas nav ražotas uzņēmumā Makita, varat zaudēt garantijas tiesības un tas var radīt darbības traucējumus un traumas. Autentiskās Makita rezerves daļas ir pieejamas pie autorizētiem tirdzniecības pārstāvjiem.

⚠ BRĪDINĀJUMS:

IEKĀRTA DARBOJAS AUTOMĀTISKI, JA IR IESLĒGTA BAROŠANA. VEICOT APKOPI VARAT BŪT PAKĻAUTS SPRIGUMA AVOTU, SASPIESTĀ GAISA VAI KUSTĪGO DAĻU IEDARBĪBĀI. VAR TIKT RADĪTI MIESAS BOJĀJUMI. PIRMS APKOPES VAI REMONTA DARBU VEIKŠANAS ATVIEŅOJIET KOMPRESORU NO STRĀVAS UN PILNĪBĀ IZVADIET GAISA SPIEDIENU.

Lai nodrošinātu efektīvu gaisa kompresora iekārtas ekspluatāciju un ilgāku kalpošanas laiku, ir jāizstrādā un jāievēro parastās apkopes grafiks. Ekspluatācijai parastos iekdienas ekspluatācijas apstākļos ir izstrādāts tālāk sniegtais iekārtas parastās apkopes grafiks. Ja nepieciešams, grafiku ir iespējams modificēt atbilstoši apstākļiem, kādos tiek veikta kompresora ekspluatācija. Modifikācijas tiks veiktas atkarībā no ekspluatācijas laika daudzuma un darba vides. Kompresora iekārtām, kas darbojas ārkārtīgi netīrā un/vai kaitīgā vidē, būs nepieciešama biežāk veikt visas nepieciešamās apkopes pārbaudes.

PARASTĀS APKOPES GRAFIKS

1. Izvadiet ūdeni no gaisa tvertnes, mitruma separatoriem vai transformatoriem.
2. Pārbaudiet, vai darbības laikā nav dzirdami neparasti trokšņi un/vai vibrācija.
3. Manuāli pārbaudiet visus drošības vārstus, lai pārliecinātos, ka tie darboja pareizi.

⚠ BRĪDINĀJUMS: Causrites risks.

Pārbaudiet drošības vārstu. Ja drošības vārsts nedarbojas pareizi, gaisa tvertnes pārsiediens var radīt uzliesmošanu vai eksploziju, izraisot personiskus ievainojumus un īpašuma bojājumus.

4. Pārbaudiet gaisa filtru, ja nepieciešams to nomainiet.
5. Pārbaudiet, vai gaisa padeves līnijās ir armatūrā nav noplūdes; salabojiet, ja nepieciešams. Reizi katrā ekspluatācijas gadā vai, ja rodas aizdomas par problēmām:

- Pārbaudiet gaisa kompresora sūkņa iepļūdes un izpļūdes vārstu stāvokli.
 - Pārbaudiet kontroles vārsta stāvokli. Aizvietojiet, ja tas ir bojāts vai nodilis.
6. Saglabājiet visas skrūves, aizbīdņus un vākus stingri pieskrūvētus. Periodiski pārbaudiet to stāvokli.

BRĪDINĀJUMS:

Saglabājiet visas skrūves, aizbīdņus un vākus stingri pieskrūvētus. Ja skrūves, plāksnes vai aizbīdņi atskrūvējas, tas var izraisīt personiskus ievainojumus un īpašuma bojājumus.

1) TRAUCĒJUMU NOVĒRŠANA

PROBLĒMA	CĒLONIS	KOREKCIJA
Nevar iedarbināt	Ir pārdedzis drošinātājs vai slēgiekārtā ir atvienojusies; vaļīgi elektriskie savienojumi; nav pareizs pagarinājuma vads; pārkarsis motors.	Noskaidrojiet cēloni un veiciet nomaiņu vai atiestatīšanu; pārbaudiet elektroinstalācijas savienojumus, maks. 15 m/50 pēdas, min. 14 ga; lietojiet atiestatīšanas pogu/pagaidiet, līdz notiks automātiskā atiestatīšana.
Zems spiediens	Gaisa noplūde drošības ventīlī Ierobežota gaisa filtrs Bojāts pretvārsts	Manuāli pārbaudiet vārstu: robiņus uz gredzeniem paveliciet uz augšu. Ja stāvoklis nemainās, nomainiet vārstu; iztīriet vai nomainiet gaisa filtru; nomainiet pretvārstu.
Drošības ventīlis atvienojas	Bojāts spiediena slēdzis vai nepareiza noregulēšana	Pārbaudiet, vai ir pareizi noregulēts, un, ja problēma joprojām pastāv, nomainiet spiediena slēdzi.

2) BRĪDINĀJUMS!

Nepareiza transportēšana un celšana sabojās iekārtu.

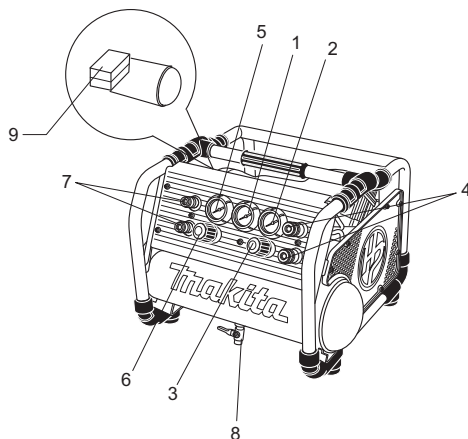
Ikdienas apkope

- Pirms katras lietošanas reizes:
 - pārlicinieties, vai visas uzmavas un skrūves ir stingri pievilktas;
 - pārbaudiet, vai nav neparasts troksnis vai vibrācijas.
- Pēc katras lietošanas reizes:

izlaidiet visu gaisu no gaisa uzglabāšanas tvertnes; atveriet noplūdes noslēgjerīci gaisa uzglabāšanas tvertnes apakšā, lai izvadītu kondensāciju no tvertnes.
- Iknedēļas apkope:
 - pārbaudiet drošības ventīļa darbību;
 - pārbaudiet, vai gaisa slēdža noteiktais nominālais spiediens ir 2,8 Mpa;
 - iztīriet gaisa filtru.
- Ikmēneša apkope:
 - pārbaudiet, vai gaisa sistēmā nav noplūdes, uzklājot ziepjainu ūdeni uz visiem savienojumiem. Pievelciet savienojumus, ja ir noplūde;
 - pārbaudiet, vai visas uzmavas un skrūves ir cieši pievilktas;
 - nomainiet gaisa filtru;
 - notīriet gaisa kompresora virsmu.
- Ceturkšņa apkope:
 - pārbaudiet cilindra un virzuļa nodiluma pakāpi.

Üldvaate selgitus

1. Õhupaagi manomeeter
2. Reguleeritud manomeeter "HP"
3. Õhuregulaator "HP"
4. Kiirhendused "HP" (õhu väljalase)
5. Reguleeritud manomeeter "RP"
6. Õhuregulaator "RP"
7. Kiirhendus "RP" (õhu väljalase)
8. Äravooluklapp
9. Rõhulüliti



TEHNILISED KIRJELDUSED

Mudel	AC310H
Maksimaalne sisendvõimsus	1800 W
SCFM @ 40 PSIG (l/min 2,8 baari juures)	3,7 (106 l)
SCFM @ 90 PSIG (l/min 6,2 baari juures)	3,6 (101 l)
SCFM @ 300 PSIG (l/min 21 baari juures)	2,7 (77 l)
Alumine rõhutase	2,3 MPa (23 baari)
Ülemine rõhutase	2,8 MPa (28 baari)
Läbimõõt x käik x suurus	62 mm x 31 mm x 1,45 mm x 10 mm x 1
Pinge - ühefaasiline	220-240 V vahelduvvool
Hz	50 Hz
Mootori p/m	1420 min ⁻¹
Määrimine	õlivaba
Paagi suurus	1,6 gallonit (6,2 l)
Kaal	36 kg (79,4 naela)
Mõõtmed (P x K x L)	18-3/4 tolli x 14-3/4 tolli x 20 tolli (476 x 375 x 507 mm)
Väljalaske max rõhk "HP" (Pneumaatiliseks suruõhuga kasutamiseks)	2,6 MPa (26 baari)
Väljalaske max rõhk "RP" (Pneumaatiliseks tavalise rõhuga kasutamiseks)	0,9 MPa (9 baari)
Müra	LWA 90 dB

- Meie jätkuva uurimis- ja arendusprogrammi tõttu võivad siintoodud tehnilised kirjeldused ilma ette teatamata muutuda.
- Märkus. Tehnilised kirjeldused võivad riigiti erineda.

Minimaalne vooluvajadus: 7 amprit

* Kaitse on soovitatav. Kasutage ainult sulavkaitset või automaatkorki, mis on sama võimsusega kui grupijuhe, millel kompressor töötab. Kui õhukompressor on sulavkaitsmega ühendatud vooluringis, kasutage viitkaitsmeid.

TÄHTIS

Lugege enne tööle asumist ohutuseeskirju ja kõiki juhiseid.

Sümbolid

Järgnevalt kirjeldatakse seadmetel kasutatavaid tingimärke.

Veenduge, et olete nende tähendusest aru saanud enne seadme kasutamist.



..... Lugege kasutusjuhendit.



..... Elektrilöögi oht.

Ettevaatust: enne kompressoriga igasuguse töö alustamist peab see olema teiteallikast lahti ühendatud.



..... Kõrge temperatuuri oht.

Ettevaatust: kompressoril on mõned osad, mis võivad muutuda tuliseks.



..... Juhusliku käivituse oht.

Ettevaatust: kompressor võib automaatselt käivituda, kui on olnud elektrikatkestus ning elekter tuleb tagasi.



..... Kandke kaitseprille.



..... Üksnes EL liikmesriikidele

Ärge käideldge kasutusõlmatuks muutunud elektriseadmeid koos olmejäätmetega!

Vastavalt Euroopa Parlamendi ja Nõukogu direktiivile 2002/96/EÜ elektri- ja elektroonikaseadmete jäätmete kohta ning direktiivi nõuete kohaldamisele liikmesriikides tuleb kasutusõlmatuks muutunud elektriseadmed koguda eraldi ja keskkonnasäästlikult korduskasutada või ringlusse võtta.

TÄHTSAD OHUTUSJUHISED

⚠ HOIATUS

LUGEGE LÄBI JA MÕISTKE KÕIK JUHISEID

Alltoodud juhiste mittejärgimise tagajärjeks võib olla elektrilöök, tulekahju ja/või tõsine vigastus.



SALVESTAGE NEED JUHISED.

TÖÖPIIRKOND

1. **Hoidke tööpiirkond puhas ja hästi valgustatud.** Asju täiskuhjatud ja pimedad alad soodustavad õnnetuste teket.
2. **Ärge kasutage elektritööriistu plahvatusohtlikus keskkonnas, nagu tuleohtlike vedelike, gaaside**

või tolmu läheduses. Elektritööriistad tekitavad sädemeid, mis võivad süüdata tolmu või aure.

3. **Hoidke kõrvalised isikud, lapsed ja külalised elektritööriistaga töötamise ajal eemal.** Tähelepanu kõrvaljuhtimisega võite kaotada kontrolli olukorra üle. Kaitske teisi tööpiirkonnas viibijaid prahi, nt laastude ja sädemete eest. Rajage vastavalt vajadusele piirdeid või tõkked. Lapsi ei tohi kunagi tööpiirkonda lubada.
4. **Sobiv ruumi temperatuur on +5°C kuni +30°C. (0°C kuni + 40°C maksimaalselt)**



HOIATUS

SELLE TOOTEGA VALE TÖÖTAMINE VÕI HOOLDUS VÕIB LÕPPEDA TÕSISE VIGASTUSE JA VARALISE KAHJUGA.

LUGEGE LÄBI JA TEHKE SELGEKS KÕIK HOIATUSED JA JUHISED ENNE SELLE SEADME KASUTAMIST.



HOIATUS

Oht töötamise

MIS VÕIB JUHTUDA

Teie õhukompressori ohtlik töörežiim võib viia teie või teiste ohtliku vigastuseni.

KUIDAS SEDA ÄRA HOIDA

- Vaadake ja tehke selgeks kõik selle juhendi juhised ja hoiatused.
- Tutvuge õhukompressori töö ning nuppudega.
- Hoidke töökoht inimestest, lemmikloomadest ja takistustest puhas.
- Hoidke alati lapsed õhukompressorist eemal.
- Ärge töötage tootega, kui olete väsinud või alkoholi või ravimite mõju all. Olge alati tähelepanelik.
- Ärge kunagi blokeerige selle toote ohutuselemente.
- Varustage töökoht tulekustutiga.
- Ärge töötage masinaga, kus osad on puudu, katki või sisaldavad volitamata osi.



HOIATUS

Kompressori paagi plahvatusoht



MIS VÕIB JUHTUDA

Järgnevad tingimused võivad viia paagi nõrgenemiseni ja VIIA PAAGI SUNNITUD PLAHVATUSENI, MIS LÕPEB TEILE JA TEISTELE TÕSISE VIGASTUSEGA:

- Kui paagist ei kõrvaldata kondenseerunud vett õigesti, põhjustab see roostet ning paagi seina õhenemist.
- Paagi muutmine või katsed paaki parandada.
- Rõhulüliti, kaitseklapi või mõne muu komponendi volitamatu muutmine, mis kontrollib paagi rõhku.

KUIDAS SEDA ÄRA HOIDA

- Tühjendage õhupaaki iga päev või pärast iga kasutuskorda. Kui paak hakkab lekkima, asendage kohe uue paagiga või vahetage kogu kompressor.
- Ärge puurige, keevitage ega muutke paaki mõnel muul viisil, see muutub nõrgemaks. Paak võib rebeneda või plahvatada. Vahetage uue paagi vastu välja.
- Järgige seadme tootja soovitusi ning ärge kunagi ületage lisade maksimaalselt lubatud rõhku. Ärge kunagi kasutage kompressorit väikeste madala rõhuga

objektide täispuhumiseks, nagu laste mänguasjad, jalgpallid, korvpallid jne.

HOIATUS



Lisade ja lisaseadmete plahvatusoht

MIS VÕIB JUHTUDA

Õhutööriistade, värvipüstolite, õhutööriistade lisade, rehvide JA teiste täispuhutavate esemete nimirõhu ületamine võib põhjustada nende plahvatusse või laiali lendamise ning põhjustada teile ja teistele tõsiseid vigastusi.

HOIATUS



Elektrilöögi oht

MIS VÕIB JUHTUDA

- Teie õhukompressor töötab elektritoitel. Nagu iga teine elektritoitel töötav seade, kui seda õigesti ei kasutata, võib see elektrilööki põhjustada.
- Maandamine. Kui toodet ei õnnestu õigesti maandada, suurendab see elektrilöögi ohtu.

KUIDAS SEDA ÄRA HOIDA

- Iga selle toote elektrilist tööd või parandust peab tegema kvalifitseeritud teenindaja või litsentsitud elektrik vastavalt riiklike ja kohalike elektrieskirjade nõuetele.
- Veenduge, et vooluahelal, kuhu kompressor on ühendatud, oleks õige maandus, pinge ning sulavkaitse.
- Ärge pangi kompressorit väljas tööle märgades tingimustes või kui vihma sajab.
- Ärge pangi kompressorit tööle, kui kaitsmed või katted on vigastatud või eemaldatud.

HOIATUS



Plahvatus- või tuleoht

MIS VÕIB JUHTUDA

Mootori elektrikontaktid ja rõhulüliti annavad tavaliselt kompressori käivitusel või seiskamisel sädemeid. Ärge kunagi töötage kompressoriga keskkonnas, kus esineb tuleohtlike aure. Nii tehes võib see põhjustada teile ja teistele tõsiseid vigastusi.

KUIDAS SEDA ÄRA HOIDA

- Töötage alati kompressoriga hästiventileeritud töökohas, kus pole bensiinigaase ega lahuste aure.
- Kui pihustatakse tuleohtlike materjale, asetage kompressor pihustamise kohast vähemalt 6,1 meetri kaugusele.
- Hoidke tuleohtlikud materjalid kompressorist eemal turvalises kohas.

HOIATUS



Oht hingamisel

MIS VÕIB JUHTUDA

- Kompressori suruõhk pole hingamiseks ohutu. Õhuvool võib sisaldada süsinikmonoksiidi või teisi auru või osi paagist või teistest osadest.
- Pihustatud materjalid, nagu värvid, värvilahused, värvieemaldajad, insektitsiidid, umbrohumürgid jne sisaldavad kahjulikke auru ning mürke.
- Kompressori või pihustatud materjalide sissehingamine võib põhjustada tõsise kahjustuse.

KUIDAS SEDA ÄRA HOIDA

- Ärge kunagi hingake kompressori õhku, kas otseselt või kompressoriga ühendatud hingamisest. Töötage hea ventilatsiooniga kohas.
- Lugege järgige ohutusjuhiseid pihustavate materjalide sildilt või ohutuslehel. Kasutage heakskiidetud respiraatorit, mis on tehtud teie spetsiifilise rakenduse jaoks.

HOIATUS

Mürarisk



Suruõhu oht

MIS VÕIB JUHTUDA

Suruõhu voog võib põhjustada pehmete kudede kahjustuse ja võib paisata õhku mulda, laaste, lahtiseid osi ning väikesed objekte suurel kiirusel, mis põhjustab varalist kahju ning kehavigastusi.

KUIDAS SEDA ÄRA HOIDA

- Kompressori kasutamisel või hooldusel kandke alati heakskiidetud küljekaitsega kaitseprille.
- Ärge kunagi osutage otsaga või pihustiga mis tahes kehaosa või teiste inimeste või loomade suunas.
- Lülitage alati kompressor välja ja laske õhurõhk õhuvoolikust välja, enne kui püüate hooldada või kinnitada tööriistu või lisasid.

HOIATUS



Liikuvate osade oht

MIS VÕIB JUHTUDA

Kompressor lülitub automaatselt tööle, kui rõhulüliti on asendis "on" või "auto". Kui püüate kompressorit parandada või hooldada ajal, kui see töötab või on ühendatud, võite liikuvate osade ette jääda. Need liikuvad osad võivad põhjustada tõsiseid vigastusi.

KUIDAS SEDA ÄRA HOIDA

- Enne hooldus- või parandustööd ühendage alati kompressor lahti, laske paagist õhurõhk välja ja võtke küljest kõik lisad.
- Ärge kunagi töötage kompressoriga, mille kaitsmed või katted on vigastatud või eemaldatud.
- Hoidke juuksed, riided ja kindad eemal liikuvatest osadest. Laiad riidesemed, ehted või pikad juuksed võivad liikuvate osade vahele takerduda.

- Ventilatsiooniavade katted võivad katta liikuvaid osi ning nendest tuleb samuti hoiduda.

HOIATUS



Põletusrisk

HOIATUS

Ärge töötage kaasaskantava kompressoriga avatud uste või piiretega!



HOIATUS

Ärge avage kraani enne, kui õhuvoolik pole ühendatud!



MIS VÕIB JUHTUDA

Kuumade osade nagu kompressori ülemise osa või väljundi torude puudutamine võib põhjustada tõsise nahapõletuse.

KUIDAS SEDA ÄRA HOIDA

- Ärge kunagi puudutage kompressori töötamise ajal või vahetult pärast tööd selle kuumi osi. Ärge küünitage üle kaitsekatete ega püüdke kompressorit hooldada, kuni seadmel pole lastud maha jahtuda.
- Käsitsemine ja töstmine: käepidemest hoidke kinni ainult kompressori liigutamise või transportimise ajal
- Vigastustest hoidumiseks ärge puudutage silindrit, silindripead, väljalasketoru ega muid kuumi osasid kompressori töötamise ajal ja tund aega pärast seiskamist.

HOIATUS

Transport

- Maksimaalne lubatud kaldenurk vedamisel on kuni 30°.
- Vedamisel ärge haakige kompressorit sõiduki taha.
- Kompressorit ei tohi kasutada tuleohtlikes, plahvatusohtlikes ega söövitavates tingimustes.

SÕNASTIK

CFM: kuupjalga minutis.

SCFM: standardkuupjalga minutis; õhuvoolu mõõtmise ühik.

PSIG: naela ruuttolli kohta; rõhu mõõtmise ühik.

Alumine rõhutase: mootori seistes õhupaagi rõhk langeb, kui jätkate oma lisa- või õhutööriista kasutamist. Kui õhupaagi rõhk langeb teatud tasemele, taaskäivitub mootor automaatselt, taaskäivitumist nimetatakse "alumiseks rõhutasemeks".

Ülemine rõhutase. Kui lülitate oma õhukompressori sisse, alustab see tööd ja õhurõhk paagis hakkab tõusma. See tõuseb teatud rõhuni, enne kui mootor automaatselt välja lülitub, kaitstes teie õhupaaki selle nimivõimsusest kõrgema rõhu eest. Rõhku, millel mootor välja lülitub, nimetatakse "ülemiseks rõhutasemeks".

Koormatavus

Kõiki Makita toodetud õhukompressoreid soovitatakse kasutada mitte kõrgema kui 50% koormusega. See

tähendab, et õhukompressorit, mis pumpab tunnis enam kui 50% õhku, hinnatakse valesti kasutatuks, sest kompressor on vajamineva õhu vajaduse jaoks liiga väike.

ÜLDINE TEAVE

Õhukompressoril on õlivaba pump, mis on välja töötatud ilma hooldamata kaua kestma.

Kompressorit saab kasutada pneumaatiliseks naelutamiseks ja klammerdamiseks. Nende rakendustega on kaasas õhusurve regulaator.

HOIATUS:

Ärge kunagi kasutage kompressorit teisteks rakendusteks kui ainult pneumaatiliseks naelutamiseks ja klammerdamiseks. Kompressori kasutamine muudeks rakendusteks võib põhjustada varalist kahju ja kehavigastusi.

Kus on võimalik rakendada, peaks kasutama eraldi õhutransformaatorit, mis ühendab õhu reguleerimise ja/või niiskuse ning mustuse eemaldamist.

VAATLUS OSTMISEL

KAHJUSTUSED: iga õhukompressori välimust on enne müüki hoolikalt kontrollitud. Vale käsitsemisega võib kahjustus tekkida transportimisel ja see põhjustab probleeme kompressori töös.

Kontrollige seadmel vahetult pärast saabumist varjatud ja nähtavaid kahjustusi, et hoida ära kulusid, mida võtab selliste probleemide kõrvaldamine. Seda tuleb teha vaadatamata transpordikonteineri nähtavate kahjustuste puudumisele. Kui see toode on transporditud otse teile, teatage igast kahjustusest toojale ning organiseerige kohe toodete kontrollimine.

LADUSTAMINE

Enne kui õhukompressori hoiustate, veenduge, et teete järgmist.

- Lugege üle hooldus- ja tööprotseduuride lõigud ning vajadusel hooldage. Tagage õhupaagist vee eemaldamine.
- Kaitske elektrikaablit ning õhuvoolikut kahjustuste eest (nagu peale astumine või üle sõitmine). Hoidke õhukompressorit puhtas ja kuivas kohas.

Töö kirjeldus

Äravooluklapp. Äravooluklapp asub õhupaagi põhjas ja seda kasutatakse kondensaadi niiskuse eemaldamiseks iga kasutuskorra lõpus.

Termokaitse

Elektrimootoril on käsitsi hallatav lähetuskaitse. Kui mootor kuumeneb mingil põhjusel üle, lülitab kaitse mootori välja. Keerake rõhulüliti asendisse "off" (väljas) ja oodake, et seade jahtuks enne taaskäivitusnupule vajutamist ja kompressori taaskäivitamist.

Mootori ülekuumenemiskaitse:

Kui mootori nimivool on ületatud, avaneb termokaitse, mis lülitab mootori automaatselt välja.

Laske mootoril enne taaskäivitust jahtuda. Kompressor käivitub pärast mootori käivitust automaatselt.

LÜLITI SISSE/AUTOMAATNE - VÄLJA:

Keerake lüliti asendisse "on" (sees), et rõhulülilite automaatselt toidet anda, ja asendisse "off" (väljas) toite lõpetamiseks kompressori kasutamise lõpetamisel või kui kompressor jäetakse valveta.

ÕHU SISSELASKEFILTER:

See filter on mõeldud kompressori pumpa tuleva õhu puhastamiseks. See filter peab alati olema puhas ja takistusteta. Vaadake jaotist "Hooldus".

ÕHUKOMPRESSORI PUMP:

Õhu kokku surumiseks liigub kolb silindris üles-alla. Alla liikumisel surutakse õhk läbi õhu sisselaskeklapi. Väljalaskeklapp jääb suletuks.

Kolvi üles liikumisel surutakse õhk kokku.

Sisselaskeklapp sulgub ja kokkusurutud õhk surutakse väljalaskeklapi, väljalasketoru ja tagasilöögiklapi kaudu õhupaaki. Suruõhku ei saa kasutada enne, kui kompressor on tõstnud rõhu õhupaagis kõrgemale õhu väljalaskel nõutavast tasemest.

TAGASILÖÖGIKLAPP:

Kui õhukompressor töötab, on tagasilöögiklapp "avatud", lubades suruõhul õhupaaki siseneda. Kui õhukompressor jõuab "ülemisele rõhutasemele", siis tagasilöögiklapp "sulgub", lubades õhusurvel õhupaaki jääda.

RÕHULÜLITI TASANDUSVENTIIL:

Rõhulüliti tasandusventiil asub rõhulüliti kõrval, on ette nähtud automaatse suruõhu välja laskmiseks kompressorist ja väljalasketorust, kui suruõhk jõuab ülemisele rõhutasandile.

RÕHULÜLITI:

Rõhulüliti käivitab automaatselt mootori, kui õhupaagi rõhk langeb tehase seatud alumise rõhutasandi rõhule. See seiskab mootori, kui õhupaagi surve jõuab tehase seatud ülemise rõhutasandi rõhule.

KAITSEKLAPP:

Kui rõhulüliti ei seiska õhukompressorit „ülemise rõhutasandi“ rõhu seadistuse juures, kaitseb kaitseklapp kõrge surve vastu, mis ületab tehase seatud rõhutaset (mis on natuke kõrgem, kui rõhulüliti ülemise rõhutaseme seadistus).

VÄLJALASKE MANOMEETER:

Väljalaske manomeeter näitab väljalaske külje regulaatori õhurõhku. Seda rõhku kontrollib regulaator ja see on alati väiksem või võrdne paagi rõhuga. Vaadake "Tööprotseduure".

PAAGI MANOMEETER:

Paagi manomeeter näitab õhusurvet paagis.

REGULAATOR:

Õhupaagist tuleva õhu rõhku kontrollib regulaatornupp. Keerake nuppu rõhu suurendamiseks kellaosuti liikumise suunas ja rõhu vähendamiseks vastupidises suunas. Väikeste lisaseadistuste vältimiseks rõhu seadistuse muutmisel keerake alati soovitava rõhu poole, alustades väiksemast rõhust. Kui vähendate kõrgemalt madalamale rõhuseadistusele, vähendage rõhutase kõigepealt alla

soovitava rõhutaseme. Sõltuvalt iga spetsiifilise lisa õhuvajadusest võib olla vaja väljalaske õhurõhku seadistada samal ajal, kui töotate lisatarvikuga.

SURUÕHU VÄLJALASE; tähistus "HP"

Suruõhu pneumaatilise tööriista sihtotstarbeline kasutus Maksimaalse väljalaske rõhk; 2,6 MPa (26 baari)

SURUÕHU VÄLJALASE; tähistus "RP"

Tavaline rõhuga pneumaatilise tööriista kasutus Maksimaalse väljalaske rõhk; 0,9 MPa (9 baari)

PAIGALDUS- JA SISSETÖÖTAMISPROTSEDUURID

ÕHUKOMPRESSORI ASUKOHT

Paigutage õhukompressor puhtasse, kuiva ja hästi õhutatud kohta. Õhufiltrit peab hoidma vabana takistustest, mis võiksid vähendada õhu tarnet õhukompressorisse. Õhukompressor peab olema vähemalt 0,3 m eemal seinast või muust takistusest, mis võib õhu liikumist takistada. Õhukompressori pea ja kaitsekate on ehitatud sobiva jahutuse võimaldamiseks. Kui niiskus on kõrge, võib üleliigse niiskuse kõrvaldamiseks paigaldada õhu väljalaskeadapteri peale õhufiltrit. Järgige õige paigaldamiseks õhufiltriga kaasas olevaid juhiseid.

Asetage kummijalgadel õhukompressor tasasele kindlale pinnale.

MÄÄRIMINE

Sellel õhukompressoril on õlivaba pump, mis on pika kasutuseaiga ja hooldusvaba.

Toide

Töötage kompressoriga pingel, mis on nimeplaadil kirjas, lubatav hälve peab olema vahemikus $\pm 5\%$. Kui kasutate kompressorit kõrgemal pingel kui nimipingel, põhjustab see ebanormaalset kiireid mootori pöördeid, võib seadet kahjustada ja mootori läbi põletada.

Pikendusjuhtmed

Pinge languse, toite kao ja mootori ülekuumenemise vältimiseks kasutage lisaõhuvoolikut pikendusjuhtme asemel. Madal pinge võib kahjustada mootorit.

Kui peate kasutama pikendusjuhet,

- kasutage ainult heakskiidetud 3-soonelist pikendusjuhet, millel on 3-otsakuga maandusega pistik, ja õhukompressori 3-pesalist pistikuga sobivat stepsliit.
- Veenduge, et pikendusjuhe on heas seisukorras.

Palun vaadake allolevast tabelist MINIMAALSE pikendusjuhtme mõõdunõudeid:

Voolupinge (220-240 V)	Juhtme kogupikkus meetrites					
	10 m 25 jalga	15 m 50 jalga	20 m 75 jalga	30 m 100 jalga	50 m 150 jalga	60 m 200 jalga
0-5 A	1,5 mm ²	1,5 mm ²	1,5 mm ²	2,5 mm ²	4 mm ²	4 mm ²
5,1 - 8 A	1,5 mm ²	1,5 mm ²	2,5 mm ²	4 mm ²	4 mm ²	4 mm ²
8 - 12 A	2,5 mm ²	2,5 mm ²	4 mm ²	Pole soovitatav		

Torustik

Plast- või PVC-torud ei ole suruõhuga kasutamiseks ette nähtud. Sõltumata selle määratud nimirõhust võib plasttoru õhurõhu tõttu lõhkeda. Kasutage õhujatustorudena ainult metalltorusid. Kui torustik on vajalik, kasutage toru, mis on sama suurusega või suurem õhupaagi väljalasketorust. Torustik, mis on liiga väike, takistab õhu liikumist. Kui torustik on üle 100 jala (30,48 meetri) pikk, kasutage järgmist suuremat suurst. Matke maasisesed liinid allapoole külmumispiiri ja vältige kondensaadi kogunemist ja külmumist võimaldavaid taskuid. Enne maa-aluste liinide katmist kontrollige neid surve all, et veenduda lekete puudumises toruliidetes.

Maandusjuhised

⚠ HOIATUS: elektrilöögi oht! Lühise korral vähendab maandus elektrilöögi ohtu, andes elektrivoolule liikumistee. Õhukompressor peab olema korralikult maandatud.

Õhukompressor on varustatud maandusega juhtmega ja vastava pistikuga. Pistikut tuleb kasutada pistikupesaga, mis on paigaldatud ja maandatud vastavalt kõigile kohalikele määrustele ja korraldustele. Pistikupesa peab olema sama konfiguratsiooniga kui pistik. **ÄRGE KASUTAGE ADAPTERIT.**

Uurige pistikut ja juhete enne iga kasutuskorda. Ärge kasutage juhul, kui on märke kahjustusest.

OHT:

Vale maandus võib põhjustada elektrilöögi. Ärge muutke tarnitud pistikut. Kui see ei sobi olemasolevasse pistikupessa, peab kvalifitseeritud elektrik paigaldama õige pistikupesa.

TÖÖ PROTSEDUURID

Igapäevane käivituse kontroll

VOOLIKUTE PAIGALDAMINE

⚠ HOIATUS:

Oht töötamisel. Hoidke voolikut kindlalt käes vooliku äralibisemise vältimiseks, kui seda paigaldate või lahti ühendate.

Vooliku üle kontrolli kaotamine võib põhjustada kehavigastusi ja varalist kahju.

1. Enne õhuvooliku või lisa kinnitamist veenduge, et rõhulüliti hoob on asendis "OFF" ning õhuregulaator või sulgklapp on suletud.
2. Kinnitage voolik ja lisatarvikud. Liiga kõrge õhurõhk võib põhjustada ohtliku plahvatusohtu. Kontrollige õhutööriistade ja lisade tootjapoolset maksimaalset

nimirõhku. Regulaatori väljundrõhk ei tohi kunagi ületada maksimaalset nimirõhku.

3. Keerake rõhulüliti hoob asendisse "ON/AUTO" ja laske rõhul paagis koguneda. Mootor seiskub, kui paagi rõhk jõuab ülemisele rõhutasele.
4. Avage regulaator, keerates seda kellaosuti liikumise suunas. Kohandage regulaator õigele rõhuseadistusele. Teie kompressor on kasutamiseks valmis.
5. Töötage alati õhukompressoriga hästiõhutatud bensini- ja teiste lahustite aurudeta piirkonnas. Ärge töötage kompressoriga pihustamise piirkonnas.

Kui te olete lõpetanud.

VOOLIKUTE LAHTIÜHENDAMINE

⚠ HOIATUS:

Oht töötamisel. Hoidke voolikut kindlalt käes vooliku äralibisemise vältimiseks, kui seda paigaldate või lahti ühendate.

Vooliku üle kontrolli kaotamine võib põhjustada kehavigastusi ja varalist kahju.

6. Seadistage rõhulüliti hoob asendisse "OFF".
7. Õhutööriistu või lisa kasutades laske paagist õhurõhk nulli.
8. Eemaldage õhutööriist või lisatarvik.
9. Eemaldage vesi õhupaagist, avades tühjenduskraani klapi paagi alumisel küljel. **VESI KONDENSEERUB ÕHUPAAKI. KUI SEDA EI EEMALDATA, SIIS VESI ROOSTETAB (KORRODEERUB) JA NÕRGENDAB ÕHUPAAKI PÕHJUSTADES SELLE REBENEMISE.**

Märkus.

Kui äravooluklapp on ummistunud, laske kogu õhu rõhk välja. Klapi võib seejärel eemaldada, puhastada ning uuesti paigaldada.

10. Pärast vee eemaldamist sulgege tühjendusklapp. Õhukompressorit saab nüüd hoiustada.

⚠ HOIATUS:

Tühjendage õhupaaki korrapäraselt. Õhupaagi vale tühjendamine võib põhjustada korrosiooni teket ja paagi võimalikku plahvatust. Paagi plahvatus võib omakorda põhjustada kehavigastusi ja varalist kahju. **Algse hoiatuse lisajuhised kordavad vaid ülaloleva 9. punkti teavet. Lisateabeks on viide kompressori väljalülitamisele.**

HOOLDUS

⚠ HOIATUS:

Ärge kunagi kasutage õhukompressorit, mis ei tööta korralikult.

Kui õhukompressor näib töötavat ebatavaliselt, teeb kummalisi häälid või vibreerib, lõpetage kohe kompressori kasutamine ja leppige kokku remondiaeg Makita volitatud teeninduses.

⚠ HOIATUS:

Kasutage ainult Makita originaalvaruosi.

Varuosad, mis ei ole Makita toodetud, võivad põhjustada teie garantii katkemise, viia seadme tõrkeni ja põhjustada vigastusi. Makita originaalvaruosad on saadaval ainult volitatud edasimüüja juures.

⚠ HOIATUS:

SEADE LÜLITUB AUTOMAATSELT SISSE, KUI TOIDE ON SEES. HOOLDUSTÖÖDEL VÕITE PINGEALLIKA, SURUÕHU VÕI LIIKUVATE OSADE ETTE JÄÄDA. VÕIVAD TEKKIDA KEHAVIGASTUSED. ENNE IGASUGUST HOOLDUST JA PARANDUST ÜHENDAGE KOMPRESSOR VOOLUVÕRGUST LAHTI JA TÜHJENDAGE TÄIESTI SURUÕHUST.

Efektivse töötamise ja kompressori pikema eluea kindlustamiseks peab koostama regulaarse hooldusgraafiku ja seda järgima. Järgnev regulaarne hooldusgraafik on koostatud tavalises töökeskkonnas iga päev töötavale seadmele. Vajadusel peab graafikut muutma, et sobituda tingimustega, milles teie

1) TÕRKEOTSING

PROBLEEM	PÕHJUS	PARANDUS
Ei käivitu	Kaitsekork väljas või kaitse katki; elektriühendus ebastabiilne; vale pikendusjuhe; mootor üle kuumenenud.	Leidke põhjus ning asendage või lähtestage; kontrollige juhtmete ühendust maksimum 15 m / 50 jalga, miinimum 14ga; kasutage lähtestusnuppu / oodake automaatset lähtestust.
Madal surve	Õhuleke õhuklapis; piiratud õhufilter; defektne kontrollklapp.	Kontrollige klappi käsitsi: tõmmake üles rõngal olev kaitse. Kui probleem ei kao, asendage klapp; puhastage või asendage õhufilter; asendage kontrollklapp.
Kaitseklapi vabastamine	Rikkis surveüliliit või vale reguleerimine.	Kontrollige reguleerimise õigsust ja kui probleem ei kao, asendage surveüliliit.

kompressorit kasutatakse. Muudatused sõltuvad töötundide arvust ning töökeskkonnast. Eriti mustas ja/või ohtlikus keskkonnas olev kompressor vajab tihedamat hooldamist.

REGULAARNE HOOLDUSGRAAFIK

1. Eemaldage vesi õhupaagist, igasugustelt niiskuse eralditelt ja transformatoritelt.
2. Kontrollige mis tahes ebahariliku müra ja/või vibratsiooni põhjust.
3. Kontrollige käsitsi kõiki kaitseklappe, et veenduda nende õiges töös.

⚠ HOIATUS: lõhkemiseoh.

Kontrollige kaitseklappi. Kui see ei tööta korralikult, võib õhupaagi ülerrõhk tekitada katkemise või plahvatuse, mis võivad omakorda tekitada kehavigastusi ja varalist kahju.

4. Kontrollige õhufiltrit, vajadusel asendage see.
5. Kontrollige, et õhutorudes ega ühenduskohtades poleks lekkeid; vajadusel asendage. Igal tööaastal või kui probleemi kahtlusel tehke järgmist:
 - Kontrollige õhukompressori pumba sisend- ja väljundklappide olukorda.
 - Kontrollige kaitseklapi olukorda. Asendage, kui need on vigastatud või kulunud.
6. Hoidke kõik kruvid, poldid ja katted tihedalt kinnitatud. Kontrollige regulaarselt nende olukorda.

⚠ HOIATUS:

Kõik kruvid, poldid ja katted peavad tugevalt kinni olema. Kui keermeplaat või kate pole korralikult kinni, võivad kaasneda kehavigastused või varaline kahju.

2) HOIATUS!

Vale transpordi- ja töstmisviis võivad masinat kahjustada.

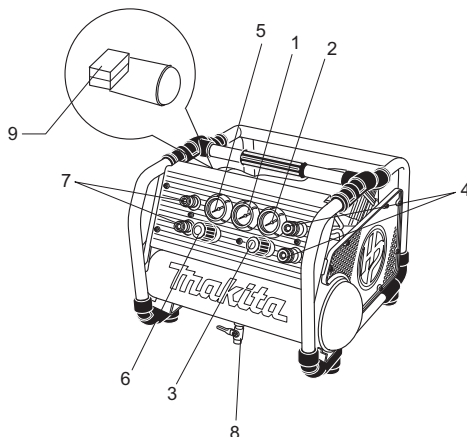
Igapäevane hooldus

1. Enne iga kasutust:
 - A Kontrollige, et kõik mutrid ja poldid on kinni.
 - B Veenduge, et pole kuulda vale müra või vibratsiooni.
2. Pärast iga kasutust:

Tühjendage õhumahuti õhust. Avage õhumahuti põhjas olev tühjenduskraan, et tühjendada mahuti kondensaadist.
3. Iganädalane hooldus:
 - A Kontrollige kaitseklapi tööd.
 - B Kontrollige, et õhulüliiti ettenähtud surve piir on 2,8 Mpa.
 - C Puhastage õhufilter.
4. Igakuine hooldus:
 - A Kontrollige õhusüsteemi lekete osas, kandes kõigile liitmikele seebivett. Kui avastate lekke, pingutage vastavad liitmikud.
 - B Kontrollige, et kõik mutrid ja poldid oleksid kõvasti kinni.
 - C Asendage õhufilter uuega.
 - D Puhastage kompressori pind.
5. Hooldus kord kvartalis:
 - A Kontrollige silindri ja kolvi kulumisastet.

Bendrasis aprašymas

1. Oro bako slėgmatis
2. Reguliuojamasis slėgmatis „HP“
3. Oro regulatorius „HP“
4. Sparčiosios „HP“ jungtis (Oro išvadas)
5. Reguliuojamasis slėgmatis „RP“
6. Oro regulatorius „RP“
7. Sparčioji jungtis „RP“ (Oro išvadas)
8. Išleidimo vožtuvas
9. Slėgio daviklis



SPECIFIKACIJOS

Modelis	AC310H
Maksimali jėgimo galia	1800 W
SCFM esant 40 PSIG (l/min esant 2,8 baro)	3,7 (106 l)
SCFM esant 90 PSIG (l/min esant 6,2 baro)	3,6 (101 l)
SCFM esant 300 PSIG (l/min esant 21 barui)	2,7 (77 l)
Ijungimo slėgis	2,3 MPa (23 barai)
Išjungimo slėgis	2,8 MPa (28 barai)
Cilindro skersmuo x eiga x skaičius	62 mm x 31 mm x 1,45 mm x 10 mm x 1
Įtampa – vienfazė	220 - 240 V kintamosios srovės
Hz	50 Hz
Variklio sūk./min	1420 min ⁻¹
Tepimas	netepalinis
Bako dydis	1,6 gal (6,2 l)
Svoris	36 kg (79,4 lb)
Matmenys (l x A x P)	18-3/4" x 14-3/4" x 20" (476 x 375 x 507 mm)
Maks. išvado slėgis „HP“ (Naudoti tik aukšto slėgio pneumatiniams įrankiams)	2,6 MPa (26 barai)
Maks. išvado slėgis „RP“ (Naudoti tik paprasto slėgio pneumatiniams įrankiams)	0,9 MPa (9 barai)
Triukšmas	LWA 90 dB

- Dėl mūsų nuolat tęsiamos tyrimų ir plėtos programos čia pateiktos specifikacijos gali būti keičiamos be įspėjimo.
- Pastaba: specifikacijos įvairiose šalyse gali skirtis.

Minimalūs grandinės reikalavimai: 7 A

* Pageidautinas grandinės nutraukiklis. Naudokite tik tokių pat techninių duomenų saugiklį arba grandinės nutraukiklį, kurių yra grandinės atšaka, nuo kurios veikia oro kompresorius. Jei oro kompresorius prijungtas prie saugikliais apsaugotos grandinės, naudokite uždelsto suveikimo saugiklius.

SVARBU

Prieš naudodami atidžiai perskaitykite VISAS saugumo gaires ir nurodymus.

Simboliai

Toliau nurodyti įrangai naudojami simboliai. Prieš naudodami įsitikinkite, kad suprantate jų reikšmes.



..... Perskaitykite eksploatavimo vadovą.



..... Elektros smūgio pavojus.
Perspėjimas: prieš atliekant bet kokius kompresoriaus priežiūros darbus jį reikia atjungti nuo maitinimo šaltinio.



..... Aukštos temperatūros pavojus.
Perspėjimas: kompresoriuje yra dalių, kurios gali smarkiai įkaisti.



..... Atsitiktinio paleidimo pavojus.
Dėmesio, kompresorius gali automatiškai pasileisti laikino energijos tiekimo nutrūkimo ir paskesnio atkūrimo atveju.



..... Užsidėkite apsauginius akinius.



..... Tiktai ES valstybėms
Neišmeskite elektros įrangos į buitinius šiukšlynus!
Pagal ES direktyvą 2002/96/EB dėl naudotos elektros ir elektroninės įrangos ir jos įdėgimo pagal nacionalinius įstatymus, naudotą elektros įrangą būtina surinkti atskirai ir nugabenti antrinių žaliavų perdirbimui aplinkai nekenksmingu būdu.

SVARBIOS SAUGOS INSTRUKCIJOS

⚠️ ĮSPĖJIMAS

PERSKAITYKITE IR SUPRASKITE VISAS INSTRUKCIJAS

Nesilaikant toliau pateiktų instrukcijų, gali kilti elektros smūgio, gaisro ir / arba rimto sužeidimo pavojus.



SAUGOKITE ŠIAS INSTRUKCIJAS.

DARBO VIETA

1. Pasirūpinkite, kad darbo vieta būtų švari ir gerai apšviesta. Užgriozdintos ir neapšviestos vietose kyla nelaimingi atsitikimai.

2. Nenaudokite elektrinių įrankių aplinkose, kur gali kilti sproginimas, pavyzdžiui, ten, kur yra degiųjų skysčių, dujų arba dulkių. Elektriniai įrankiai sukelia kibirkštis, nuo kurių gali užsidedti dulksės arba garai.
3. Dirbdami su elektriniu įrankiu pasirūpinkite, kad pašaliniai asmenys, vaikai ir lankytojai stovėtų atokiai. Jie gali blaškyti dėmesį ir dėl to galite nesuvaldyti įrankio. Apsaugokite esančiuosius darbo vietoje nuo nuolaužų, pvz., atplaišų bei kibirkščių. Jei reikia, pastatykite užtvaras ir apsaugas. Niekada negalima leisti vaikams būti darbo vietoje.
4. Atitinkama patalpos temperatūra yra nuo +5°C iki +30°C. (maksimaliai nuo 0°C iki + 40°C)

⚠️ ĮSPĖJIMAS

NETINKAMAI EKSPLOATUOJANT ARBA PRIŽIŪRINT ŠĮ GAMINĮ GALIMA RIMTAI SUSIŽEISTI ARBA SUGADINTI TURTA.

PRIEŠ NAUDODAMI ŠIĄ ĮRANGĄ PERSKAITYKITE IR TURĖKITE OMENYJE VISUS ĮSPĖJIMUS IR NURODYMUS DĖL EKSPLOATACIJOS.

⚠️ ĮSPĖJIMAS

Nesaugios eksploatacijos pavojus

KAS GALI NUTIkti

Nesaugiai eksploatuodami kompresorių galite susižaloti patys arba sužaloti kitus.

KAIP TO IŠVENGTI

- Peržiūrėkite ir turėkite omenyje visus šiame vadove pateiktus nurodymus ir įspėjimus.
- Susipažinkite su oro kompresoriaus veikimu ir valdikioliais.
- Eksploatacijos zonoje neturi būtų kitų žmonių, naminių gyvūnų ar kliūčių.
- Niekada neprileiskite prie oro kompresoriaus vaiku.
- Nenaudokite gaminio, jei esate apsaivaigė nuo alkoholio ar narkotinių medžiagų. Visada būkite budrus.
- Niekada nepanaikinkite šio gaminio saugos funkcijų ir įtaisų.
- Eksploatacijos zonoje turi būti gesintuvas.
- Nenaudokite mašinos, jei trūksta dalių, jos yra pažeistos arba yra sumontuotos neleidžiamos dalys.

⚠️ ĮSPĖJIMAS

Oro bako sproginimo pavojus

KAS GALI NUTIkti

Toliau išvardytomis sąlygomis gali sumažėti bako atsparumas ir JIS GALI SPROGTI RIMTAI SUŽALODAMAS JUS ARBA KITUS:

- Jei iš bako tinkamai neišleidžiamas kondensavęs vanduo, nuo kurio surūdiąja ir suplonėja bako sienelė.
- Atliekamos modifikacijos arba mėginama remontuoti baką.
- Atliekamos neleidžiamos slėgio daviklio, apsauginio vožtuvo ar kitų komponentų, kuriais reguliuojamas slėgis bake, modifikacijos.

KAIP TO IŠVENGTI

- Kasdien arba po kiekvieno naudojimo ištuštinkite oro baką.



- Negrežkite, nevirinkite ir kitaip nemodifikuokite bako, antraip jo atsparumas sumažės. Bakas gali įtrūkti arba sprogti. Pakeiskite jį nauju oro baku.
- Laikykitės gamintojų rekomendacijų ir niekada neviršykite didžiausio leidžiamo papildomų įtaisų nominaliojo slėgio. Niekada nenaudokite kompresoriaus mažo slėgio daiktams, tokiems kaip vaikų žaislai, futbolo ir krepšinio kamuoliai bei kt., pripūsti.

ĮSPĖJIMAS



Papildomų įtaisų ir priedų sproginimo pavojus

KAS GALI NUTIkti

Viršijus pneumatinių įrankių, purškimo pistoletų, oru varomų priedų, padangų IR kitų pripučiamųjų daiktų nominalųjį slėgį jie gali sprogti arba išlakstyti į dalis bei sunkiai sužaloti jus arba kitus asmenis.

ĮSPĖJIMAS



Elektros smūgio pavojus

KAS GALI NUTIkti

- Jūsų oro kompresorius varomas elektra. Kaip ir bet kurio kito elektra varomo įrenginio atveju, netinkamai jį naudojant, galima patirti elektros smūgį.
- Elektros įžeminimas: tinkamai neįžeminus šio gamtinio gali padidėti elektros smūgio pavojus.

KAIP TO IŠVENGTI

- Visus šiam gaminiui reikalingus elektros laidų prijungimus arba jo remontą turi atlikti kvalifikuoti priežiūros specialistai arba atestuotas elektrikas, vadovaudamasis nacionaliniais arba vietos apsaugos nuo elektros reikalavimais.
- Įsitikinkite, kad elektros grandinė, prie kurios prijungtas kompresorius, yra tinkamai įžeminta, tinkamos įtampos ir pakankamai apsaugota saugikliais.
- Niekada nenaudokite kompresoriaus lauke lietuvi lyjant arba šlapijoje aplinkoje.
- Niekada nenaudokite kompresoriaus, jei pažeisti arba nuimti apsauginiai įtaisai ar dangčiai.

ĮSPĖJIMAS



Sproginimo arba gaisro pavojus

KAS GALI NUTIkti

Kompresorių paleidžiant arba jam sustojus normalu, kad elektros kontaktas variklyje arba slėgio daviklis kibirkščiuoja. Niekada nenaudokite kompresoriaus aplinkoje, kurioje yra degių garų. Tai darydami galite sunkiai susižaloti patys arba sužaloti kitus.

KAIP TO IŠVENGTI

- Visada naudokite kompresorių gerai vėdinamoje zonoje, kurioje nėra benzino arba tirpiklio garų.
- Jei purškiate degias medžiagas, pastatykite kompresorių mažiausiai 6,1 m atstumu nuo purškimo zonos.

- Laikykite degias medžiagas saugioje vietoje atokiau nuo kompresoriaus.

ĮSPĖJIMAS



Įkvėpimo pavojus

KAS GALI NUTIkti

- Suslėgtas kompresoriaus oras nėra saugus kvėpuoti. Oro srovėje gali būti anglies monoksido ar kitų garų arba dalelių iš bako ar kitų komponentų.
- Purškiamos medžiagose, tokiose kaip dažai, dažų tirpikliai, dažų nuėmimo priemonės, insekticidai, herbicidai ir kt., gali būti kenksmingų garų ir nuodingų medžiagų.
- Įkvėpus kompresoriaus arba purškiamų medžiagų garų galima patirti sunkią traumą.

KAIP TO IŠVENGTI

- Niekada nekvėpuokite oru iš kompresoriaus tiesiogiai ar per prie jo prijungtą kvėpavimo įtaisą. Dirbkite zonoje, kurioje įrengta gera skersinio vėdinimo sistema.
- Perskaitykite ir laikykitės saugos nurodymų, pateiktų purškiamos medžiagos etiketėje arba saugos duomenų lape. Naudokite aprobuotą respiratorių, suprojektuotą naudoti atliekant jūsų konkretų darbą.

ĮSPĖJIMAS

Triukšmo keliami rizika



Suslėgto oro pavojus



KAS GALI NUTIkti

Suslėgto oro srovė gali pažeisti minkštuosius audinius ir dideliu greičiu nešti purvą, nuolaužas, palaidas daleles bei smulkios objektus, sukeliančias žalą turtui arba asmeniui.

KAIP TO IŠVENGTI

- Naudodami ir prižiūredami kompresorių visada užsidėkite aprobuotus apsauginius akinius su šoniniais skydeliais.
- Niekada nenukreipkite jokio antgalio į savo kūno dalis arba kitus žmones ar gyvūnus.
- Visada išjunkite kompresorių, kad išleistumėte orą iš oro linijos, prieš mėgindami atlikti priežiūros darbus, prijungti įrankius arba priedus.

ĮSPĖJIMAS



Judančių dalių pavojus

KAS GALI NUTIkti

Kompresorius automatiškai keičia ciklus, kai slėgio daviklis nustatytas į jungimo arba automatinės veiksenos padėtį. Jei mėginсите kompresorių remontuoti ar atlikti jo priežiūros darbus kai jis veikia arba yra prijungtas prie maitinimo šaltinio, galite patirti judančių dalių poveikį. Šios judančios dalys gali sunkiai sužaloti.

KAIP TO IŠVENGTI

- Prieš mėgindami atlikti remontą arba priežiūros darbus visada atjunkite kompresorių nuo maitinimo šaltinio ir išleiskite iš bako suslėgtą orą.
- Niekada nenaudokite kompresoriaus, jei pažeisti arba nuimti apsauginiai įtaisai ar dangčiai.
- Plaukus, aprangą ir pirštines laikykite atokiau nuo judančių dalių. Judančios dalys gali įtraukti laisvus rūbus, papuošalus arba ilgus plaukus.
- Ventilacijos angos taip pat gali dengti judančias dalis, todėl jų taip pat derėtų vengti.

ISPĖJIMAS

Nudegimo pavojus



ISPĖJIMAS

Niekada nenaudokite nešiojamojo kompresoriaus, durims ar atitvarams esant atidarytiems!



ISPĖJIMAS

Neatsukite čiaupo prieš tai neprijungę oro žarnos!



KAS GALI NUTIKTI

Prisilietus prie karštų dalių, tokių kaip kompresoriaus galvutė arba išvado vamzdeliai, taip pat galima rimtai nudegti.

KAIP TO IŠVENGTI

- Niekada nelieskite karštų komponentų iš karto po kompresoriaus naudojimo. Nesiekite už apsauginių gaubtų ir nebandykite atlikti priežiūros darbų, kol įrenginys neataušo.
- Kaip pakelti ir nešioti: laikykite už šios rankenos tik tuomet, kai kompresorių perkeliate į kitą vietą arba jį gabenate.
- Norėdami išvengti susižalojimo, naudodami kompresorių arba jei išjungėte jį ne daugiau nei prieš valandą, nelieskite veleno, veleno galvutės arba išleidimo žarnos ir kitų peryklių įkaitusių dalių.

ISPĖJIMAS

Gabenimas

- a) Maksimalus nuožambio kampas vilkimo metu turi būti be didesnis nei 30°.
- b) Nevilkite įrenginio transporto priemonėmis.
- c) Kompresoriaus techninės priežiūros metu neturi susidaryti degios, sprogios ar erozinės aplinkos sąlygų.

TERMINŲ ŽODYNĖLIS

CFM: kubinė pėda per minutę.

SCFM: standartinė kubinė pėda per minutę – oro tiekimo matavimo vienetas.

PSIG: svarų į kvadratinį colį matas – slėgio matavimo vienetas.

ĮJUNGIMO SLĖGIS: kol variklis išjungtas, slėgis oro bake krinta jums toliau naudojant priedą ar įrankį. Kai slėgis nukrinta iki tam tikro lygio, variklis automatiškai iš naujo pasileidžia – tai yra vadinamasis „paleidimo slėgis“.

ĮJUNGIMO SLĖGIS: kai paleidžiate savo oro kompresorių, jis pradeda veikti ir slėgis oro bake pradeda didėti. Jis didėja iki tam tikro lygio, kol variklis automatiškai išsijungia – taip oro bakas apsaugomas nuo aukštesnio už maksimalų nominalųjį slėgio. Slėgis, kuriam esant variklis išsijungia, vadinamas „įjungimo slėgiu“.

DARBO CIKLAS

Visus „Makita“ pagamintus oro kompresorius rekomenduojama eksploatuoti ne didesniu kaip 50% darbo ciklu. Tai reiškia, kad jeigu kompresorius pumpuoja orą ilgiau negu 50% vienos valandos, laikoma, kad jis naudojamas netinkamai, nes yra per mažas reikiamam oro poreikiui patenkinti.

BENDROJI INFORMACIJA

Šis oro kompresorius yra su netepaliniu siurbliu, suprojektuotas ilgai veikti neatliekant priežiūros darbų.

Kompresorius gali būti naudojamas atitinkamiems pneumatiniams vinių kalikliams ir segikliams. Pateikiamas slėgio reguliatorius darbams minėtais įrankiais atlikti.

ISPĖJIMAS:

Niekada nenaudokite kompresoriaus kitiems darbams, išskyrus darbui atitinkamu vinių kalikliu ir segikliu. Kompresoriaus naudojimas kitiems darbams gali padaryti žalos ar sužeisti.

Jei tinka, turi būti naudojami atskiri oro transformatoriai su oro srauto reguliavimo ir (ar) drėgmės bei purvo pašalinimo funkcijomis.

PATIKRA PO GAVIMO

PAŽEIDIMAI: prieš išsiunčiant kiekvieno oro kompresoriaus įrangą yra kruopščiai išbandyta ir patikrinta. Netinkamai elgiantis kiekvieno pervežimo metu gali atsirasti pažeidimų ir iškilti problemų dėl kompresoriaus veikimo.

Iš karto po pristatymo patikrinkite įrangą, ar nėra nematomų ir matomų pažeidimų, kad išvengtumėte išlaidų, susijusių su tokių problemų ištaisymu. Tai turi būti atliekama nepriklausomai nuo to, ar yra kokių nors matomų siuntimo konteinerio pažeidimų požymių. Jei šis gaminyje buvo išsiųstas tiesiogiai jums, nedelsdami praneškite apie pažeidimus vežėjui ir susitarkite dėl prekių patikros.

SAUGOJIMAS

Prieš padėdami oro kompresorių saugoti, būtinai:

1. peržiūrėkite skyrius „Priežiūra“ bei „Darbo procedūros“ ir, jei reikia, atlikite priežiūros darbus. Būtinai išleiskite vandenį iš oro bako.
2. Apsaugokite elektros laidą ir oro žarną nuo pažeidimų (pavyzdžiui, atsirandančių užlipus arba pervaziavus). Saugokite oro kompresorių švarioje ir sausoje vietoje.

VEIKIMO APRAŠYMAS

ISLEIDIMO VOŽTUVAS: išleidimo vožtuvas yra oro bako apačioje ir naudojamas kondensatui išleisti kiekvieną kartą po naudojimo.

TERMINIS GRANDINĖS NUTRAUKIKLIS:

Elektriniame variklyje įtaisytas rankinio atstatymo terminis grandinės pertraukiklis. Jei variklis dėl kokios nors priežasties perkaista, šis nutraukiklis jį išjungia. Perjunkite slėgio daviklį į padėtį „off“ ir, prieš paspausdami atstatymo mygtuką, bei iš naujo paleisdami kompresorių, palaukite, kol įrenginys atvės.

VARIKLIO APSAUGOS NUO TERMINĖS PERKROVOS ĮTAISAS:

Kai variklio varomoji srovė viršijama, atsidaro terminis apsauginis įtaisas ir variklis automatiškai atsijungia. Reikia leisti varikliui atvėsti prieš pradėdami vėl dirbti. Kompresorius automatiškai pasileis paleidus variklį.

ĮJUNGIMO/AUTOMATINĖS VEIKSENOS IR IŠJUNGIMO JUNGIKLIS:

Perjunkite šį jungiklį į padėtį „on“, kad slėgio davikliui automatiškai būtų tiekiamą energija, o į padėtį „off“ – kad energija nebebūtų tiekiamą baigus naudoti kompresorių arba kai jis paliekamas be priežiūros.

ORO ĮLEIDIMO FILTRAS:

Šis filtras suprojektuotas į kompresoriaus siurblių patenkančiam orui valyti. Jis visada turi būti švarus ir neužkimštas. Žr. skyrių „Priežiūra“.

ORO KOMPRESORIAUS SIURBLYS:

Orui suslėgti stūmoklis juda cilindre aukštyn ir žemyn. Stūmokliui judant žemyn oras įtraukiamas per oro įleidimo vožtuvą. Išmetimo vožtuvas lieka uždarytas. Stūmokliui judant aukštyn oras suslegiamas. Įleidimo vožtuvas užsidaro ir suslėgtas oras išstumiamas per išmetimo vožtuvą, išvado vamzdelį bei atgalinį vožtuvą į oro baką. Oro, kurį galima naudoti, nėra tol, kol kompresorius nepakelia slėgio oro bako iki didesnio slėgio, nei reikalingas ties oro išvadu.

ATGALINIS VOŽTUVAS:

Kompresoriui veikiant atgalinis vožtuvas yra atidarytas, kad suspaustas oras patektų į oro baką. Kai kompresorius pasiekia „išjungimo“ slėgį atgalinis vožtuvas yra užsidaro, kad suspaustas oras liktų oro bako viduje.

SLĖGIO DAVIKLIO IŠKROVOS VOŽTUVAS:

Slėgio daviklio iškrovos vožtuvas yra ant slėgio daviklio šono ir suprojektuotas automatiškai išleisti suslėgtą orą iš kompresoriaus galvutės bei išvado vamzdelio, kai oro kompresorius pasiekia „išjungimo“ slėgį.

SLĖGIO DAVIKLIS:

Slėgio daviklis automatiškai paleidžia variklį, kai slėgis oro bako nukrinta žemiau gamykloje nustatyto „įjungimo“ slėgio. Jis sustabdo variklį, kai slėgis oro bako pasiekia gamykloje nustatytą „išjungimo“ slėgį.

APSAUGINIS VOŽTUVAS:

Jei slėgio jungiklis neišjungia oro kompresoriaus šiam pasiekus jo nustatytą „išjungimo“ slėgį, apsauginis vožtuvas apsaugo nuo aukšto slėgio „atsidarydamas“, kai pasiekiamas jo gamykloje nustatytasis slėgis, kuris yra šiek tiek didesnis už slėgio daviklio „išjungimo“ slėgį.

IŠVADO SLĖGMATIS:

Išvado slėgmatis rodo slėgį ties regulatoriaus išvadu. Šis slėgis reguliuojamas regulatoriumi ir visada yra mažesnis arba lygus slėgiui bako. Žr. skyrių „Darbo procedūros“.

BAKO SLĖGMATIS:

Bako slėgmatis rodo oro slėgį bako.

REGULATORIUS:

Iš bako einančio oro slėgis reguliuojamas slėgio regulatoriaus rankenėle. Norėdami padidinti slėgį pasukite rankenėlę prieš, o norėdami sumažinti – pagal laikrodžio rodyklę. Norėdami išvengti nedidelių korekcijų pakeitę nustatytą slėgį visada artėkite prie pageidaujamo slėgio nuo žemesnio slėgio. Mažindami nustatytą slėgį pirmiausiai sumažinkite iki tokio slėgio, kuris yra šiek tiek mažesnis, nei pageidaujamas. Priklausomai nuo kiekvieno konkretaus priedo oro reikalavimų reguliuojamąjį oro slėgį ties išvadu gali tekti koreguoti naudojantis priedu.

SUSLĖGTO ORO IŠVADAS, paženklintas „HP“

Tik aukšto slėgio pneumatiniams įrankiams naudoti
Maks. išvado slėgis; 2,6 MPa (26 barai)

SUSLĖGTO ORO IŠVADAS, paženklintas „RP“

Tik paprasto slėgio pneumatiniams įrankiams naudoti
Maks. išvado slėgis; 0,9 MPa (9 barai)

SUMONTAVIMAS IR PERDAVIMO EKSPLOATUOTI PROCEDŪROS

ORO KOMPRESORIAUS VIETA

Pastatykite oro kompresorių švarioje, sausoje ir gerai vėdinamoje vietoje. Oro filtras neturi būti užkimštas, nes gali sumažėti oro kompresoriaus tiekiamo oro srautas. Oro kompresorius turi būti pastatytas mažiausiai 0,3 m atstumu nuo sienos ar kitokių kliūčių, kurios trikdytų oro srautą. Oro kompresoriaus galvutė ir gaubtas suprojektuoti taip, kad būtų užtikrintas pakankamas aušinimas. Jei drėgmės kiekis didelis, ant oro išvado adapterio galima sumontuoti oro filtrą, kad būtų pašalinta perteklinė drėgmė. Norėdami tinkamai sumontuoti oro filtrą laikykitės su prie jo pridėtų nurodymų. Pastatykite kompresorių ant plokščio paviršiaus taip, kad jis saugiai remtųsi guminėmis kojėlėmis.

TEPIMAS

Šis oro kompresorius yra su netepaliniu siurbliu, suprojektuotas ilgai veikti neatliekant priežiūros darbų.

Maitinimo šaltinis

Kompresoriui eksploatuoti naudokite jo pavadinimo lentelėje nurodytas įtampas elektros srovę, leidžiamų nuokrypių ribos neturi būti didesnės kaip $\pm 5\%$. Jei kompresoriui eksploatuoti naudosite didesnės, nei nurodytos nominalios įtampos srovę, variklis nenormaliai greitai suksis ir dėl to gali būti pažeistas įrenginys arba perdegti variklis.

Ilginimo laidai

Norėdami išvengti įtampos kryčio, galios praradimo arba variklio perkaitimo vietoje ilginimo laido vėčiau naudokite papildomą oro žarną. Dėl žemos įtampos gali būti pažeistas variklis.

Jei būtina naudoti ilginimo laidą:

- naudokite tik aprobuotą 3-jų gyslų ilginimo laidą su 3-ju pirštu įžeminimo kištuku ir 3-ju angų lizdu, kuris tinka oro kompresoriaus kištukui.
- Patikrinkite, ar ilginimo laidas yra geros būklės.

Žr. toliau pateiktoje lentelėje išdėstytus MINIMALIUS ilginimo laid:

Nominalaus srovės stiprumo ribos (220 - 240 V)	Visas laido ilgis metrais					
	10 m 25 pėdos	15 m 50 pėdos	20 m 75 pėdos	30 m 100 pėdų	50 m 150 pėdų	60 m 200 pėdų
0 - 5 A	1,5 mm ²	1,5 mm ²	1,5 mm ²	2,5 mm ²	4 mm ²	4 mm ²
5,1 - 8 A	1,5 mm ²	1,5 mm ²	2,5 mm ²	4 mm ²	4 mm ²	4 mm ²
8 - 12 A	2,5 mm ²	2,5 mm ²	4 mm ²	Nerekomenduojama		

Vamzdžiai

Plastikiniai arba PVC vamzdžiai nėra pritaikyti naudoti su suslėgtu oru. Nepaisant nurodyto nominalaus slėgio, plastikinis vamzdis nuo suspausto oro gali sprogti. Oro skirstomosioms linijoms naudokite tik metalinius vamzdžius. Jei reikia vamzdžių linijos, naudokite tokio pat dydžio, kaip ir baliono išvadas, arba didesnį vamzdį. Naudojant per mažus vamzdžius bus apribotas oro srautas. Jei vamzdžiai ilgesni nei 100 pėdų, naudokite vienu dydžiu didesnius vamzdžius. Požemines linijas įkaskite žemiau įšalo ribos, kad būtų išvengta kišenių, kuriose gali susirinkti ir užšalti kondensatas. Prieš užkasdami požemines linijas sudarykite jose slėgį, kad įsitikintumėte, jog vamzdžių sandūros yra nepralaidžios.

Įžeminimo nurodymai

⚠️ [SPĖJIMAS]: Elektros smūgio pavojus! Trumpojo jungimo atveju įžeminant sumažinamas smūgio pavojus prijungiant laidą elektros srovei nutekėti. Šis oro kompresorius turi būti tinkamai įžemintas.

Įrankio kompresoriuje įtaisytas laidas su įžeminimo gysla ir atitinkamu įžeminimo kištuku. Kištukas turi būti naudojamas su lizdu, kuris sumontuotas ir įžemintas pagal vietos reikalavimus ir potvarkius. Lizdas turi būti tokios pat konfigūracijos, kaip ir kištukas. **NENAUDOKITE ADAPTERIO.**

Prieš kiekvieną kartą naudodami patikrinkite kištuką ir laidą. Nenaudokite, jei yra pažeidimo požymių.

PAVOJUS:

Netinkamai įžeminus yra elektros smūgio galimybė. Nemodifikuokite pateikto kištuko. Jei jis neatitinka turimo lizdo, tinkamą lizdą turi sumontuoti kvalifikuotas elektrikas.

DARBO PROCEDŪROS

Kasdienio paleidimo kontrolinis sąrašas

ŽARNŲ SUMONTAVIMAS

⚠️ [SPĖJIMAS]:

Nesaugios eksploatacijos pavojus. Montuodami arba atjungdami tvirtai suimkite žarną ranka, kad išvengtumėte pliaukštelėjimo ja.

Nesuvaldžius žarnos, yra pavojus susižeisti ir sugadinti turta.

1. Prieš prijungdami oro žarną arba priedus būtina patikrinkite, ar oro slėgio daviklio svirtis nustatyta į padėtį „OFF“ ir ar oro reguliatorius arba uždarymo vožtuvus yra uždarymo padėtyje.
2. Prijunkite žarną ir vožtuvus. Per didelį slėgį kelia avarinį sprogio pavojų. Patikrinkite gamintojo nurodytą pneumatinių įrankių ir priedų maksimalų nominalųjį slėgį. Regulatoriaus išvado slėgis jokiu būdu neturi viršyti maksimalaus nominaliojo slėgio.
3. Nustatykite slėgio daviklio svirtį į padėtį „ON/AUTO“ ir palaukite, kol bake susidarys slėgis. Kai bake bus pasiektas „išjungimo“ slėgis, variklis išsijungs.
4. Atidarykite reguliatorių pasukdami jį pagal laikrodžio rodyklę. Nustatykite reguliatoriumi tinkamą slėgį. Jūsų kompresorius parengtas naudoti.
5. Visada naudokite oro kompresorių gerai vėdinamoje zonoje, kuriose nėra benzino arba tirpiklio garų. Nenaudokite kompresoriaus šalia purškimo zonos.

Kai baigsite darbą:

ŽARNŲ ATJUNGIMAS

⚠️ [SPĖJIMAS]:

Nesaugios eksploatacijos pavojus. Montuodami arba atjungdami tvirtai suimkite žarną ranka, kad išvengtumėte pliaukštelėjimo ja.

Nesuvaldžius žarnos, yra pavojus susižeisti ir sugadinti turta.

6. Nustatykite slėgio daviklio svirtį į padėtį „OFF“.
7. Naudodami pneumatinį įrankį arba priedą išleiskite iš bako orą, kad slėgis būtų lygus nuliui.
8. Nuimkite pneumatinį įrankį arba priedą.
9. Išleiskite vandenį iš bako atidarę išleidimo čiaupo vožtuvą bako apačioje. **VANDUO BAKE KONDENSUOJASI. NEIŠLEIDUS VANDENS ORO BAKAS SURŪDYS IR SUMAŽES JO ATSPARUMAS, TODĖL IŠKILS ORO BAKO ĮTRŪKIMO PAVOJUS.**

Pastaba:

Jei išleidimo vožtuvas užsikimšęs, išleiskite visą oro slėgį. Po to vožtuvą galima nuimti, išvalyti ir vėl iš naujo sumontuoti.

10. Išleidę vandenį uždarykite išleidimo vožtuvą. Dabar oro kompresorių galima padėti saugoti.

⚠️ ĮSPĖJIMAS:

Tinkamai ištuštinkite oro baką. Netinkamas oro bako ištuštinimas gali įtakoti rūdijimą ir bakas gali sprogti. Sprogus bakui galima susižeisti ir sugadinti turą. Papildomi nurodymai originaliaame įspėjime tik kartoja tai, kas anksčiau parašyta 9 punkte. Be to, ten nenurodyta, kad kompresorius turi būti išjungtas.

PRIEŽIŪRA

⚠️ ĮSPĖJIMAS:

Niekada nenaudokite oro kompresoriaus, kuris normaliai neveikia. Jeigu atrodo, kad oro kompresorius veikia neįprastai, skleidžia keistą triukšmą ar vibraciją, nedelsdami nustokite jį naudoti ir susitarkite dėl remonto „Makita“ įgaliotajame techninės priežiūros centre.

⚠️ ĮSPĖJIMAS:

Naudokite tik originalias „Makita“ pakaitines dalis. Naudojant ne „Makita“ pagamintas atsargines dalis gali nebegalioti garantija, blogai veikti kompresorius ir dėl to gali būti sužaloti žmonės. Originalias „Makita“ dalis galima gauti iš įgalioto bendrovės atstovo.

⚠️ ĮSPĖJIMAS:

ĮRENGINYS AUTOMATIŠKAI KEIČIA CIKLUS, KAI MAITINIMAS ĮJUNGTA. TODĖL ATLIKDAMI PRIEŽIŪROS DARBUS GALITE PATIRTI ĮTAMPOS ŠALTINIŲ, SUSLĖGTO ORO AR JUDANČIŲ DALIŲ POVEIKĮ. GALI BŪTI SUŽALOTI ŽMONĖS. PRIEŠ ATLIKDAMI BET KOKIUS TECHINIS PRIEŽIŪROS AR REMONTO DARBUS ATJUNKITE KOMPRESORIŲ NUO MAITINIMO ŠALTINIO IR IŠLEISKITE VISĄ SUSLĖGTĄ ORĄ.

Siekiant užtikrinti, kad oro kompresoriaus įrenginys veiktų efektyviai ir būtų eksploatuojamas ilgiau, būtina parengti reguliarios priežiūros grafiką ir jo laikytis. Toliau pateiktas reguliarios priežiūros grafikas yra pritaikytas įrenginiui, kuris kasdien naudojamas normaliomis darbinėmis sąlygomis. Jei reikia, planas turi būti modifikuotas, kad atitiktų sąlygas, kuriomis naudojamas jūsų kompresorius. Modifikacijos priklausys nuo naudojimo valandų skaičiaus ir darbo aplinkos. Jei kompresorių įrenginiai naudojami itin nešvarioje ir (ar) nepalankioje aplinkoje, visus priežiūros patikrinimus reikia atlikti dažniau.

REGULIARIOS PRIEŽIŪROS PLANAS

1. Išleiskite vandenį iš bako, visų drėgmės separatorių ar transformatorių.
2. Patikrinkite, ar nėra neįprasto triukšmo ir (ar) vibracijos.
3. Rankiniu būdu patikrinkite, ar visi apsauginiai vožtuvai tinkamai veikia.

⚠️ ĮSPĖJIMAS: sprogimo pavojus.

Patikrinkite saugos vožtuvą. Jei saugos vožtuvas tinkamai neveikia, viršslėgis oro bako gali sukelti įtrūkimus arba sprogamą ir taip sužeisti žmones bei sugadinti turą.

4. Patikrinkite ir, jei reikia, pakeiskite oro filtrą.
5. Patikrinkite, ar oro linijose ir detalėse nėra nuotėkių; jei reikia – pašalinkite juos.
Po kiekvienų metų naudojimo ar jeigu įtariate, kad yra problema:
 - patikrinkite oro kompresoriaus siurblio įleidimo ir išmetimo vožtuvus;
 - patikrinkite atgalinio vožtuvo būklę. Pakeiskite, jei jis pažeistas arba susidėvėjęs.
6. Visi sraigtai, varžtai ir dangčiai turi būti tvirtai priveržti. Periodiškai tikrinkite jų būklę.

⚠️ ĮSPĖJIMAS:

Visi sraigtai, varžtai ir dangčiai turi būti tvirtai priveržti. Jei varžtų plokštelės ar dangčiai atsilaisvins, tai gali sužeisti žmones ar sugadinti turą.

1) TRIKČIŲ ŠALINIMAS

PROBLEMA	PRIEŽASTIS	SPRENDIMAS
Nepasileidžia	Perdegę saugiklis arba pertraukiklis pertraukė grandinę. Netvirtos elektros jungtys; Ilginamasis laidas prijungtas netinkamai; Perkaisto variklis	Patikrinkite problemas priežastį ir pakeiskite triktį sukėlusį elementą arba iš naujo nustatykite įrenginį; Patikrinkite elektros laidų jungtis maks. 15 m / 50 pėd., min. 14ga; Naudokite nustatymo iš naujo mygtuką / laukite, kol įrenginys bus automatiškai nustatytas iš naujo
Žemas slėgis	Pro apsauginį vožtuvą teka oras Susiaurėję oro filtrai Sugedo tikrinimo vožtuvas	Rankiniu būdu patikrinkite vožtuvą; patraukite viršun ant žiedų. Jei padėtis nepasikeitė, pakeiskite vožtuvą; išvalykite arba pakeiskite oro filtrą; pakeiskite tikrinimo vožtuvą.
Atsilaisvina saugos vožtuvas	Sugedo slėgio jungiklis arba netinkamai sureguliuota	Tinkamai sureguliuokite ir, jei padėtis nepasikeičia, pakeiskite slėgio jungiklį

2) ĮSPĖJIMAS!

Netinkamai transportuojant ar keliant įrenginį, galima jį sugadinti.

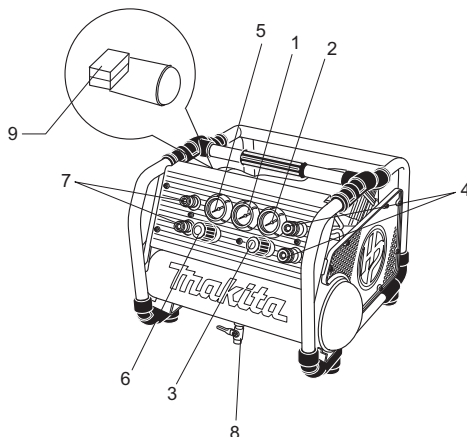
Kasdien atliekama priežiūra

1. Prieš kiekvieną kart naudojant:
 - A Patikrinkite, ar visos veržlės ir varžtai tvirtai suveržti.
 - B Patikrinkite, ar nekyla nejprastas garsas ar vibracija.
2. Kiekvieną kart panaudojus:

Išleiskite visą oro bako esantį orą. Atidarę oro bako apačioje esantį išleidimo čiaupą iš bako išleiskite kondensatą.
3. Kas savaitę atliekama priežiūra:
 - A Patikrinkite saugos vožtuvo veikimą.
 - B Patikrinkite oro jungiklį, numatytasis apskaičiuotas slėgis yra 2,8 Mpa.
 - C Išvalykite oro filtrą.
4. Kas mėnesį atliekama priežiūra:
 - A Visas sandūros sudrėkinę muiluotu vandeniu patikrinkite, ar iš sistemos neteka oras. Pastebėję pratekėjimą, sutvirtinkite šias sandūras.
 - B Patikrinkite, ar visos veržlės ir varžtai tvirtai suveržti.
 - C Oro filtrą pakeiskite nauju.
 - D Nuvalykite oro kompresoriaus paviršių.
5. Kas ketvirtį atliekama priežiūra:
 - A Patikrinkite, ar nesusidėvėjo velenėlis ir stūmoklis.

Általános nézet és a részek magyarázata

1. Légtartály nyomásmérője
2. "HP" szabályozott nyomásmérő
3. "HP" levegőszabályozó
4. "HP" gyorscsatlakozó (Levegőkimenet)
5. "RP" szabályozott nyomásmérő
6. "RP" levegőszabályozó
7. "RP" gyorscsatlakozó (Levegőkimenet)
8. Űritőszелеp
9. Nyomáskapcsoló



MŰSZAKI ADATOK

Típus	AC310H
Maximális bemeneti teljesítmény	1800 W
SCFM @ 40 PSIG (L/min @ 2,8 bar)	3,7 (106 L)
SCFM @ 90 PSIG (L/min @ 6,2 bar)	3,6 (101 L)
SCFM @ 300 PSIG (L/min @ 21 bar)	2,7 (77 L)
Bekapcsoló nyomás	2,3 MPa (23 bar)
Kikapcsoló nyomás	2,8 MPa (28 bar)
Furat x Lökét x Menny.	62 mm x 31 mm x 1,45 mm x 10 mm x 1
Feszültség -egyfázisú	220 - 240 V AC
Hz	50 Hz
Motor fordulatszáma	1420 min ⁻¹
Kenés	Olajmentes
Tartály mérete	6,2 L (1,6 gal)
Tömeg	36 kg (79,4 lb)
Méretetek (H x M x SZ)	18-3/4" x 14-3/4" x 20" (476 x 375 x 507 mm)
Max. "HP" kimeneti nyomás (Kifejezetten nagy nyomású pneumatikus szerszámokkal való használathoz)	2,6 MPa (26 bar)
Max. "RP" kimeneti nyomás (Kifejezetten normál nyomású pneumatikus szerszámokkal való használathoz)	0,9 MPa (9 bar)
Zaj	LWA 90 dB

• A cégünknel folyó folyamatos kutatási és fejlesztési program miatt az itt megadott műszaki adatok előzetes értesítés nélkül módosulhatnak.

• Megjegyzés: A műszaki adatok országonként eltérőek lehetnek.

Minimális áramköri követelmény: 7 Amper

* Áramkörmegszakító használata javasolt. Csak olyan biztosítékot vagy áramkörmegszakítót használjon, amelynek névleges paraméterei ugyanolyanok, mint a légsűrítőt kiszolgáló elektromos mellékáramkör paraméterei. Ha a légsűrítőt biztosítékokkal védett áramkörhöz csatlakoztatja, akkor késleltető biztosítékokat használjon.

FONTOS

A berendezés használata előtt figyelmesen olvassa át a Biztonsági útmutatót és az ÖSSZES utasítást.

Szimbólumok

Az alábbiakban a berendezésre vonatkozó szimbólumok láthatóak.

Használat előtt bizonyosodjon meg róla, hogy tisztában van a jelentésükkel.



..... Olvassa el a kezelési útmutatót!



..... Elektromos áramütés veszélye.
Figyelem: mielőtt bármilyen munkát végez a légsűrítőn, azt le kell csatlakoztatni az elektromos hálózatról.



..... Magas hőmérséklet veszélye.
Figyelem: a kompresszor bizonyos alkatrészei magas hőmérsékletre melegedhetnek fel.



..... Véletlenszerű beindulás veszélye.
Figyelem, áramszünet, majd az áramszolgáltatás azt követő helyreállása után a kompresszor képes automatikusan beindulni.



..... Viseljen védőszemüveget.



..... Csak EU-tagállamok számára
Az elektromos berendezéseket ne dobja a háztartási szemétkébe!
A használt elektromos és elektronikus berendezésekről szóló 2002/96/EK irányelv és annak a nemzeti jogba való átültetése szerint az elhasznált elektromos berendezéseket külön kell gyűjteni, és környezetbarát módon újra kell hasznosítani.

FONTOS BIZTONSÁGI SZABÁLYOK

▲ FIGYELMEZTETÉS

OLVASSA EL ÉS ÉRTELMEZZE AZ ÖSSZES UTASÍTÁST

Amennyiben nem tart be minden, az alábbiakban ismertetett utasítást, áramütés, tűz és/vagy súlyos sérülés következhet be!



TEGYE EL EZT A HASZNÁLATI UTASÍTÁST.

MUNKATERÜLET

1. **A munkahelyet tartsa tisztán, és biztosítsa a jó megvilágítást.** A rendezetlen és sötét munkaterületek baleseteket idézhetnek elő.
2. **Ne működtesse a szerszámgépeket robbanásveszélyes környezetben, például gyúlékony folyadékok, gázok vagy por jelenlétében.** A szerszámgépek szikrákat képeznek, amelyek lángra lobbanthatják a port vagy a gázokat.
3. **A szerszámgép működtetése során tartsa távol a gyermekeket és az ott tartózkodókat.** A figyelem elterelődése az irányítás elvesztéséhez vezethet. Védje a munkaterületen tartózkodókat a törmeléktől, a szilánkoktól és a szikráktól. Szükség esetén állítson fel válaszfalat vagy védőlemez. Gyerekek soha nem tartózkodhatnak a munkaterületen.
4. **A megfelelő szobahőmérséklet +5°C és +30°C közötti legyen (legfeljebb 0°C és +40°C közötti)**

▲ FIGYELMEZTETÉS

A LÉGSŰRÍTŐ NEM RENDELTETÉSSZERŰ HASZNÁLATA VAGY KARBANTARTÁSA SÜLYOS SZEMÉLYI SÉRÜLÉST ÉS ANYAGI KÁRT OKOZHAT. A BERENDEZÉS HASZNÁLATA ELŐTT OLVASSA EL AZ ÖSSZES FIGYELMEZTETÉST ÉS A HASZNÁLATI UTASÍTÁST.

▲ FIGYELMEZTETÉS

Nem biztonságos használat veszélye

MI TÖRTÉNHEK

A légsűrítő nem biztonságos használata Önnek vagy más személyeknek komoly sérüléseket okozhat.

HOGYAN ELŐZHETŐ MEG

- Nézze át és értsse meg az ebben a kézikönyvben szereplő összes utasítást és figyelmeztetést.
- Ismerkedjen meg a légsűrítő működésével és kezelésével.
- A működési területen ne legyenek más személyek, állatok és akadályok.
- Mindig tartsa távol a gyerekeket a légsűrítőtől.
- Ne használja a légsűrítőt ha fáradt, vagy alkohol illetve gyógyszerek hatása alatt áll. Mindig legyen éber.
- Soha ne iktassa ki a termék biztonsági funkcióit.
- Szerelje fel tűzoltókészülékkel a működési területet.
- Ne használja a gépet hiányzó, törött vagy nem engedélyezett alkatrészekkel.

▲ FIGYELMEZTETÉS

Légtartály felrobbanásának veszélye

MI TÖRTÉNHEK

A következő körülmények a tartály meggyengüléséhez és A TARTÁLY HEVES ROBBANÁSÁHOZ VEZETHETNEK, AMI ÖNNEK VAGY MÁSOKNAK KOMOLY SÉRÜLÉSEKET OKOZHAT:



- A kondenzálódott víz leengedésének elmulasztása a tartályból, ami rozsdásodást és a tartály falának elvékonyodását okozza.
- A tartály módosítása vagy kísérletezés annak megjavításával.”
- A nyomáskapcsoló, biztonsági szelep, vagy bármely a tartály nyomását szabályozó más alkatrész engedély nélküli módosítása.

HOGYAN ELŐZHETŐ MEG

- Naponta vagy minden használat után engedje le a légtartályban felgyülemlt vizet. Ha a tartályon szivárgást tapasztal, akkor azonnal cserélje ki a tartályt egy újra, vagy cserélje ki az egész kompresszort.
- Ne fújjon bele, ne hegeszse vagy módosítsa más módon a légtartályt, mert az meggyengül. A tartály megrepedhet vagy felrobbanhat. Cserélje ki egy új tartályra.
- Kövesse a berendezés gyártójának ajánlásait és soha ne lépje túl a csatlakoztatott eszköz maximális névleges nyomásértékét. A kompresszort soha ne használja kisméretű, alacsony nyomású tárgyak felfújására, mint például gyerekjátékok, focilabdák, kosárlabdák, stb.

FIGYELMEZTETÉS



A csatlakoztatott eszköz vagy egy tartozék felrobbanásának veszélye

MI TÖRTÉNHEK

A pneumatikus kéziszerszámok, szórópisztolyok, levegővel működő tartozékok, gumiabroncsok és más felfújható felfújható tárgy névleges nyomásának túllépése azok felrobbanását vagy elrepülését okozhatja, ami Önnek vagy másnak komoly sérüléseket okozhat.

FIGYELMEZTETÉS



Elektromos áramütés veszélye

MI TÖRTÉNHEK

- A légsűrítő elektromos árammal működik. Mint bármilyen más elektromos árammal működő eszköz, ha nem megfelelően használják, ez is elektromos áramütést okozhat.
- Elektromos földelés: a termék megfelelő földelése biztosításának elmulasztása megnövelheti az áramütés kockázatát.

HOGYAN ELŐZHETŐ MEG

- A termékén esetlegesen szükséges huzalozást vagy javításokat csak képzett szerviz személyzet vagy képesített villanyszerelő végezze, a nemzeti és helyi előírásoknak megfelelően.
- Bizonyosodjon meg róla, hogy az elektromos áramkör, amelyikhez a kompresszor csatlakoztatva van, megfelelő földeléssel, a szükséges feszültséggel és biztosíték védelemmel rendelkezik.
- Soha ne működtesse a kompresszort a szabadban ha esik, illetve nedves környezetben.
- Soha ne működtesse a kompresszort, ha a védőburkolatok vagy fedelek sérültek vagy el lettek távolítva.

FIGYELMEZTETÉS



Robbanás vagy tűz veszélye

MI TÖRTÉNHEK

Normális dolog, ha a kompresszor bekapcsolásakor vagy leállításakor szikráznak az elektromos érintkezések a motor belsejében vagy a nyomáskapcsolóban. Soha ne használja a kompresszort olyan környezetben, ahol gyúlékony gázok vagy gőzök vannak a légtérben. Ha mégis így tesz, azzal komoly sérülésnek teszi ki magát vagy másokat.

HOGYAN ELŐZHETŐ MEG

- A kompresszort mindig jól szellőző területen használja, ahol nincs benzingőz vagy egyéb oldószer a levegőben.
- Ha gyúlékony anyagokat permetez, akkor a kompresszort legalább 6,1 m-es távolságban helyezze el a permetezési területtől.
- A gyúlékony anyagokat tárolja biztonságos helyen, távol a kompresszortól.

FIGYELMEZTETÉS



Belégzés veszélye

MI TÖRTÉNHEK

- A kompresszorból származó levegő belégzése nem biztonságos.

A légáram szén-monoxidot vagy más gázokat tartalmazhat, valamint a tartályból illetve más alkatrészekből származó részecskéket is.

- A kipermetezett anyagok, mint a festékek, a festékek oldószerei, festékeloldók, rovarirtók, gyomirtók, stb. káros gázokat és mérgeket tartalmaznak.
- A kompresszorból kijövő levegő, vagy a a szétpermetezett anyag gőzének belégzése komoly sérülésekhez vezethet.

HOGYAN ELŐZHETŐ MEG

- Soha ne lélegezze be a kompresszorból származó levegőt, sem közvetlenül, sem pedig a kompresszorhoz csatlakoztatott eszközökből. Dolgozzon jól szellőző területen.
- Olvassa át és tartsa be a permetezett anyag címkéjén vagy biztonsági adatlapján feltüntetett biztonsági utasításokat. Használjon az adott alkalmazáshoz tervezett légzőkészüléket.

FIGYELMEZTETÉS

Zajveszély



Sűrített levegő veszélye



MI TÖRTÉNHEK

A kiáramló sűrített levegő károsíthatja a lágy szöveteket, emellett port, forgácsot, megglazult anyagdarabokat és kisebb tárgyakat kaphat fel, ami anyagi kárt vagy személyi sérülést okozhat.

HOGYAN ELŐZHETŐ MEG

- A kompresszor használatakor és karbantartásakor mindig viseljen oldalvédelemmel is ellátott védőszemüveget.
- Soha ne irányítsa a fűvókát vagy a festékszórót semmilyen testrésze, vagy más személyekre illetve állatokra.
- A karbantartás, a szerszámok vagy tartozékok csatlakoztatása előtt mindig kapcsolja ki a kompresszort és nyomásmentesítse a légvezetékét.

⚠ FIGYELMEZTETÉS



Mozgó alkatrészek veszélye

MI TÖRTÉNHEK

A kompresszor automatikusan működik, ha a nyomáskapcsoló be/auto pozícióban van. Ha úgy próbál javításokat vagy karbantartást végezni, hogy közben a kompresszor működik vagy az elektromos hálózatra van csatlakoztatva, akkor a mozgó alkatrészekkel érintkezhet. Ezek a mozgó alkatrészek komoly sérüléseket okozhatnak.

HOGYAN ELŐZHETŐ MEG

- A karbantartás vagy a javítás megkezdése előtt mindig húzza ki a kompresszort és nyomásmentesítse a tartályt és a csatlakoztatott eszközöket.
- Soha ne működtesse a kompresszort, ha a védőburkolatok vagy fedelekek sérültek vagy el lettek távolítva.
- Haját, ruházatát és kesztyűit tartsa távol a mozgó részekről. A bő ruhák, ékszerek vagy a hosszú haj beleakadhatnak a mozgó részekbe.
- A légszatonak eltakarhatják a mozgó alkatrészeket, azért azok használatát kerülni kell.

⚠ FIGYELMEZTETÉS



Égésveszély

⚠ FIGYELMEZTETÉS

Ne működtesse a hordozható kompresszort nyitott nyílászárók és ajtók mellett!



⚠ FIGYELMEZTETÉS

Ne nyissa ki a leeresztőcsapot a légvezeték csatlakoztatása nélkül!



MI TÖRTÉNHEK

A forró alkatrészekkel - mint a csövek - való érintkezés komoly égési sérüléseket eredményezhet a bőrön.

HOGYAN ELŐZHETŐ MEG

- A kompresszor működése közben vagy rögtön azután ne érjen a forró alkatrészekhez. Ne nyúljon a védőburkolatok mögé és ne próbálkozzon karbantartási műveletekkel, amíg az egység le nem hűlt.
- Kezelés és emelés: a kompresszor mozgatása és szállítása közben csak a fogantyút fogja.
- A sérülések elkerülése érdekében a kompresszor működése közben vagy a leállítást követő egy órában

ne érjen a hengerhez, a hengerfejhez vagy kipufogócsőhöz, sem pedig más túlhevült alkatrészhez.

⚠ FIGYELMEZTETÉS

Szállítás

- a Vontatáskor a maximális dőlés legfeljebb 30° lehet.
- b Ne használjon járműveket a vontatáshoz.
- c Ne tegye a kompresszort gyúlékony, robbanásveszélyes vagy erőziót okozó helyre.

SZÓSZEDET

CFM: Köbláb percenként.

SCFM: Standard köbláb percenként; a szállított levegő mértékegysége.

PSIG: Font négyzethüvelykenként a mérőműszeren; a nyomás egyik mértékegysége.

BEKAPCSOLÓ NYOMÁS: Amikor a motor ki van kapcsolva, akkor a tartály nyomása csökken ahogy a tartozékot vagy a pneumatikus kéziszerszámot használják. Amikor a tartály nyomása egy bizonyos értékre csökken, akkor a motor automatikusan bekapcsol, ez a nyomás a "bekapcsoló nyomás".

KIKAPCSOLÓ NYOMÁS: Ahogy a légsűrítő a bekapcsolás után folyamatosan működik, a légtartályban a nyomás egyre nagyobb lesz. Egy bizonyos nyomás elérésekor a motor automatikusan leáll - hogy megvédje a légtartályt a névlegesnél magasabb nyomásoktól. A nyomás neve, amelyiknél a motor leáll, a "kikapcsoló nyomás".

MUNKACIKLUS

Minden a Makita által gyártott légsűrítő esetében javasolt a munkaciklus legfeljebb 50%-ában való használata. Ez azt jelenti, hogy ha egy légsűrítő egy órát tekintve annak több mint 50%-án át működik, akkor az helytelen használat, mert a légsűrítő erre a levegőigényre alulméretezett.

ÁLTALÁNOS INFORMÁCIÓK

Ez a légsűrítő egy olyan olajmentes szivattyúval készült, melynek tervezésekor a tartósságot és a karbantartásmentességet tartották szem előtt.

A légsűrítő a megfelelően besorolt pneumatikus szegezőgépekhez és tűzőgépekhez használható. Ezekhez az alkalmazásokhoz egy nyomásszabályozó van mellékelve.

⚠ FIGYELEM!

A kompresszort ne használja másra, mint a megfelelően besorolt pneumatikus szegezőgép és tűzőgép levegőellátásának biztosítására. A kompresszor más célra történő használata anyagi kárt és személyi sérülést okozhat.

Ahol lehetséges, ott speciális levegő-átalakítókat kell használni, amelyek kombinálják a levegőszabályozás és/vagy nedvesség és szennyeződésselátvitás funkciókat.

ÁTVIZSGÁLÁS ÁTVÉTELKOR

SÉRÜLÉSEK: A szállítás előtt minden légsűrítő berendezést alaposan átvizsgálják és ellenőriznek. A helytelen kezelés következtében a szállítás során sérülések keletkezhetnek, amelyek problémákat okoznak a kompresszor működésében.

Annak megérkezése után azonnal ellenőrizze a berendezést a rejtett és látható sérülések tekintetében, nehogy külön kiadások merüljenek fel az ilyen problémák kijavításával kapcsolatban. Az átvizsgálást akkor is meg kell ejteni, ha a szállítókonténeren nincsenek sérülésre utaló jelek. Ha a terméket közvetlenül Önnek szállították, akkor a sérüléseket a szállítónak jelentse, ezért azonnal lásson hozzá az áruk átvizsgálásához.

TÁROLÁS

A légsűrítő tárolása előtt ellenőrizze, hogy elvégezte a következőket:

1. Nézze át a "Karbantartás" és "Használati eljárások" részeket és végezze el a karbantartást ha szükséges. Engedje le a vizet a légtartályból.
2. Előzze meg az elektromos vezeték és a légvezeték károsodását (nehogy rálépjenek vagy ráhajtsanak).

A légsűrítőt tiszta, száraz helyen tárolja.

A HASZNÁLAT LEÍRÁSA

LEERESZTŐSZELEP: A leeresztőszelep a légtartály alján található, és a tartályban kondenzálódott víz leengedésére szolgál minden használat után.

TERMIKUS VÉDŐKAPCSOLÓ:

Az elektromos motor manuális, visszaállító termikus védőkapcsolóval van felszerelve. Ha a motor bármilyen okból túlmelegszik, akkor a védőkapcsoló leállítja a motort. Állítsa a nyomáskapcsolót "ki" pozícióba és várja meg, amíg a berendezés lehűl, majd nyomja meg a visszaállítás gombot és indítsa be újra a kompresszort.

MOTOR TERMIKUS

TÚLTERHELVÉDELME:

Ha a motor árambesorolását túllépi, akkor a termikus védőkapcsoló kinyit, és automatikusan lekapcsolja a motort.

Meg kell várni a motor lehűlését az újbóli elindítás előtt. A kompresszor automatikusan újraindul.

BE/AUTO - KI KAPCSOLÓ:

Állítsa a kapcsolót "be" pozícióba, hogy a nyomáskapcsoló áramellátása automatikus legyen, illetve "ki" állásba az áramellátás megszüntetéséhez a kompresszor használatának befejezésekor, vagy ha a kompresszort felügyelet nélkül hagyja.

LÉGBEMENETI SZŰRŐ:

Ez a szűrő a kompresszor szivattyújába belépő levegő tisztítására szolgál. A szűrőt mindig tisztán és akadálymentesen kell tartani. Lásd "Karbantartás".

LEVEGŐKOMPRESSZOR SZIVATTYÚJA:

A levegő összenyomásához a dugattyú fel-le mozog a hengerben. Amikor lefelé mozog, akkor beszívja a levegőt

a légbemeneti szelepen át. A kimeneti szelep ekkor zárva van.

A dugattyú felfelé mozgásakor a levegő összesűrűsödik. A bemeneti szelep bezárul, így az összenyomott levegőnek a kimeneti szelepen át kell távoznia a kimeneti csőbe, ahol a visszacsapószelepen áthaladva a légtartályba jut. Addig nincs használható levegő, amíg a kompresszor nem emelte a légtartály nyomását a légkimeneten szükséges érték fölé.

VISSZACsapószelep:

A légsűrítő működése közben a visszacsapószelep "nyitott", így a sűrített levegő be tud jutni a légtartályba. Amikor a légsűrítő eléri a "kikapcsoló" nyomást, akkor a visszacsapószelep "bezárul", hogy a légnyomás a tartályban maradjon.

NYOMÁSKAPCSOLÓ

KIEGYENLÍTŐSZELEP:

A nyomáskapcsoló kiegyenlítőszelepe a nyomáskapcsoló oldalán található, és arra szolgál, hogy automatikusan kiengedje a sűrített levegőt a kompresszorfejből és a kimeneti csőből, amikor a légsűrítő elérte a "kikapcsoló" nyomást.

NYOMÁSKAPCSOLÓ:

A nyomáskapcsoló automatikusan bekapcsolja a motort, amikor a légtartály nyomása a gyárilag beállított "bekapcsoló" nyomás alá esik. Leállítja a motort, amikor a légtartály nyomása eléri a gyárilag beállított "kikapcsoló" nyomást.

BIZTONSÁGI SZELEP:

Ha a nyomáskapcsoló nem állítja le a kompresszort a beállított "kikapcsoló" nyomás elérésekor, akkor a biztonsági szelep fogja megvédeni a túl nagy nyomásoktól azáltal, hogy a gyárilag beállított nyomásértéken (ami kicsivel magasabb, mint a nyomáskapcsoló "kikapcsoló" nyomása) "kiereszti" a levegőt.

KIMENETI NYOMÁSMÉRŐ:

A kimeneti nyomásmérő a szabályozó kimeneti oldalán elérhető légnyomást mutatja. Ezt a nyomást a szabályozó vezérli, és mindig kevesebb, vagy egyenlő a tartály nyomásával. Lásd "Használati eljárások".

TARTÁLY NYOMÁSMÉRŐ:

A tartály nyomásmérője a légnyomást mutatja a tartályban.

SZABÁLYOZÓ:

A légtartályból jövő levegő nyomása a szabályozógombbal állítható. Fordítsa el a gombot az óramutató járásának irányába a nyomás növeléséhez, vagy az óramutató járásával ellentétes irányba a nyomás csökkentéséhez. Annak érdekében, hogy a nyomás kismértékben ne térjen el a beállítás során, a kívánt nyomást mindig az alacsonyabb nyomások felől közelítve állítsa be. Amikor nagyobb nyomásértékről csökkenti a nyomást, akkor előbb állítson be a kívántnál kicsivel alacsonyabb értéket. Az függvartozékok nyomáskövetelményeinek függvényében a kimenet

szabályozott levegőnyomását esetleg a kiegészítő használata közben is módosítani kell.

SŰRÍTETT LEVEGŐ KIMENET; "HP" jelölés
Kizárólag nagynyomású pneumatikus kéziszerszámokkal való használatra
Kimenet max. nyomása; 2,6 MPa (26 bar)

SŰRÍTETT LEVEGŐ KIMENET; "RP" jelölés
Normál nyomású pneumatikus kéziszerszámokkal való használatra
Kimenet max. nyomása; 0,9 MPa (9 bar)

TELEPÍTÉSI ÉS BEJÁRATÁSI ELJÁRÁSOK

A LÉGSŰRÍTŐ ELHELYEZÉSE

A légsűrítőt tiszta, száraz és jól szellőző helyen helyezze el. A levegősűrítőt a kompresszor légszállítást csökkentő akadályoktól mentesen kell tartani. A légsűrítőt a faltól vagy a légáramlást befolyásoló más akadályoktól legalább 0,3 m távolságban kell elhelyezni. A légsűrítő feje és védőburkolatai úgy lettek tervezve, hogy biztosítsák a megfelelő hűtést. Ha a páratartalom magas, akkor egy levegősűrítőt lehet a légkimeneti adapterre szerelni, amely eltávolítja a fölösleges nedvességet. A telepítéssel kapcsolatban kövesse a levegősűrítőhöz mellékelt használati utasítást.

A légsűrítőt állítsa sima felületre, hogy biztosan ááljon a gumi lábakon.


A MINIMÁLIS hosszabbító kábel átmérővel kapcsolatban lásd az alábbi táblázatot:

Névleges áramerősség tartomány (220 - 240 V)	A kábel teljes hossza méterben					
	10 m 25 láb	15 m 50 láb	20 m 75 láb	30 m 100 láb	50 m 150 láb	60 m 200 láb
0 - 5 A	1,5 mm ²	1,5 mm ²	1,5 mm ²	2,5 mm ²	4 mm ²	4 mm ²
5,1 - 8 A	1,5 mm ²	1,5 mm ²	2,5 mm ²	4 mm ²	4 mm ²	4 mm ²
8 - 12 A	2,5 mm ²	2,5 mm ²	4 mm ²	Nem javasolt		

Csővezeték

A műanyag vagy PVC cső nem sűrített levegővel való használatra lett tervezve. A műanyag cső a megadott névleges nyomásérték ellenére is felrobbanhat a légnyomástól. A levegőelosztó vezetékben csak fém csöveket használjon. Ha egy elosztó vezetékre van szükség, akkor ahhoz ugyanolyan méretű, vagy nagyobb csövet használjon, mint a légtartály kimeneti csöve. A túl szűk cső korlátozza a légáramlást. Ha a csővezeték 100 láb feletti hosszúságú, akkor használjon eggyel nagyobb méretűt. A föld alatti vezetékeket a fagszint alatti mélységbe helyezze, és a lefeketéskor kerülje el az olyan zseb kialakulását, ahol a folyadék összegyűlhet és megfagyhat. A föld alatti vezetékeket a betemetés előtt helyezze nyomás alá, annak ellenőrzésére, hogy a csőcsatlakozásoknál biztosan nincs szivárgás.

Földelési utasítások

 **FIGYELEM!** Elektromos áramütés veszélye!
Rövidzárlat esetén a földelés csökkenti az áramütés veszélyét, mert menekülő vezetéket biztosít az

KENÉS

Ez a légsűrítő egy olyan olajmentes szivattyúval készült, melynek tervezésekor a tartósságot és a karbantartásmentességet tartották szem előtt.

Áramellátás

A kompresszort az adattáblán feltüntetett feszültségekről üzemeltesse, a megengedett tűrési tartomány $\pm 5\%$. Ha a kompresszort a névlegesnél magasabb feszültségen üzemelteti, akkor az rendellenesen magas motorfordulatszámot fog eredményezni, ami a berendezés károsodásához és a motor leégéséhez vezethet.

Hosszabbító kábelek

A feszültségcsökkenések, teljesítményvesztés és a motor túlmelegedésének megelőzése érdekében inkább hosszabb légtömlőt használjon, mint hosszabbító kábelt. Az alacsony feszültség a motor károsodását okozhatja.

Ha mégis hosszabbító kábelt kell használni, akkor:

- Kizárólag olyan, háromeres hosszabbító zsinórt szabad használni, amely háromvillás, földelő típusú csatlakozódugással és a légsűrítő csatlakozódugaszának csatlakoztatására alkalmas, hárompólusú aljzatokkal rendelkezik.
- Ellenőrizze, hogy a hosszabbító jó állapotban van.

elektromos áramnak. A légsűrítőt megfelelően földelni kell.

A légsűrítő földelő vezetékkel rendelkező csatlakozózsínnyal és ennek megfelelő földelt csatlakozóval van felszerelve. A csatlakozót olyan aljzattal kell használni, amely a helyi előírásokkal és rendeletekkel összhangban lett felszerelve és földelve. Az aljzat csatlakozókiosztása ugyanolyan kell legyen, mint a csatlakozóé. **NE HASZNÁLJON ADAPTERT.**

Minden használat előtt vizsgálja át a csatlakozót és a zsinórt. Ne használja azokat, ha sérülésre utaló nyomokat tapasztal.

VESZÉLY:

A nem megfelelő földelés elektromos áramütést okozhat. Ne módosítsa a berendezéshez mellékelt csatlakozót. Ha az nem illeszkedik az aljzatba, akkor egy képzett villanyszerelővel a megfelelő típusú aljzatot kell felszereltetni.

HASZNÁLATI ELJÁRÁSOK

Napi beindítási ellenőrző lista

A TÖMLŐK CSATLAKOZTATÁSA

⚠ FIGYELEM!

Nem biztonságos használat veszélye. Felszereléskor vagy lecsatlakoztatáskor szorosan fogja a kezében tömlőt, nehogy elszabaduljon.

Ha elveszti uralmát a tömlő felett, az anyagi kárt vagy személyi sérülést okozhat.

1. A légtömlő vagy a tartozékok csatlakoztatása előtt ellenőrizze, hogy a nyomáskapcsoló karja "KI" állásba van állítva és a levegőszabályozó vagy a kikapcsoló szelep el van zárva.
2. Csatlakoztassa a tömlőt és a tartozékokat. A túl magas légnyomás robbanásveszélyt okoz. Ellenőrizze a gyártók által a pneumatikus kéziszerszámokra és a tartozékokra megadott maximális nyomásértékeket. A szabályozó kimeneti nyomása soha nem haladhatja meg a maximális névleges nyomást.
3. Kapcsolja a nyomáskapcsolót "BE/AUTO" pozícióba, és hagyja, hogy a nyomás a tartályban megnödjön. A motor leáll amikor a tartály nyomása eléri a "kikapcsoló" nyomást.
4. Nyissa ki a szabályozót, az óramutató járásának irányába elforgatva azt. Állítsa a szabályozót a megfelelő nyomásértékre. A kompresszor készen áll a használatra.
5. A kompresszort mindig jól szellőző területen használja, ahol nincs benzin vagy más oldószeres gőze a levegőben. Ne használja a kompresszort a permetezési terület közelében.

Amikor befejezte a munkát:

A TÖMLŐK SZÉTCSATLAKOZTATÁSA

⚠ FIGYELEM!

Nem biztonságos használat veszélye. Felszereléskor vagy lecsatlakoztatáskor szorosan fogja a kezében a tömlőt, nehogy elszabaduljon.

Ha elveszti uralmát a tömlő felett, az anyagi kárt vagy személyi sérülést okozhat.

6. Állítsa a nyomáskapcsolót "KI" állásba.
7. A pneumatikus kéziszerszám vagy a tartozék segítségével engedje le a tartályban levő levegőt, hogy a tartály nyomása nulla legyen.
8. Vegye le a pneumatikus szerszámot vagy a tartozékokat.
9. Engedje le a vizet a tartályból úgy, hogy kinyitja a leeresztőcsapot a tartály alján. **A TARTÁLYBAN VÍZ KONDENZÁLÓDIK. HA NEM ENGEDIK LE, AKKOR A VÍZ KORRODÁLNI ÉS GYENGÍTENI FOGJA A LÉGTARTÁLYT, AMI NÖVELI A LÉGTARTÁLY FELROBBANÁSÁNAK VESZÉLYÉT.**

Megjegyzés:

Ha a leeresztőszelep eltömődött, akkor engedje le az összes levegőt. Ezután a csapot ki lehet venni, megtisztítani, majd visszaszerelni.

10. A víz leengedése után zárja el a leeresztőcsapot. A légsűrítőt most már el lehet tenni.

⚠ FIGYELEM!

Megfelelő módon engedje le a vizet a légtartályból. Ha nem megfelelően tesz ezt, akkor a tartály korrodálódhat és fel is robbanhat. A tartály felrobbanása anyagi kárt és személyi sérülést okozhat. A további utasítás az eredeti figyelemzetésben csak megismétli a fenti 9. pontot. Ezen kívül nem jelzi, hogy a kompresszort ki kell kapcsolni.

KARBANTARTÁS

⚠ FIGYELEM!

Soha ne használja a légsűrítőt, ha rendellenesen működik.

Ha a légsűrítő szokatlan módon működik, furcsa zajt vagy rezgést bocsát ki, akkor azonnal hagyja abba a használatát és vigye el egy hivatalos Makita szervizközpontba javításra.

⚠ FIGYELEM!

Csak eredeti Makita cserealkatrészeket használjon. A nem a Makita által gyártott cserealkatrészek a garancia elvesztését okozhatják és hibás működéshez, valamint az abból eredő sérülésekhez vezethetnek. Az eredeti Makita alkatrészek a hivatalos forgalmazótól szerezhetők be.

⚠ FIGYELEM!

A BERENDEZÉS AUTOMATIKUSAN MŰKÖDIK AMIKOR BE VAN KAPCSOLVA. A KARBANTARTÁSI MUNKÁLATOK KÖZBEN FESZÜLTSGFORRÁSOKKAL, SŰRÍTETT LEVEGŐVEL VAGY MOZGÓ ALKATRÉSZEKKEL ÉRINTKEZHET. SZEMÉLYI SÉRÜLÉS TÖRTÉNHEK. A KARBANTARTÁS VAGY A JAVÍTÁS MEGKEZDÉSE ELŐTT ÁRAMTALANÍTSA ÁRAMTALANÍTSA A KOMPRESSZORT ÉS NYOMÁSMENTESÍTSE A TARTÁLYT.

A légsűrítő egység hatékony működésének és hosszabb élettartamának biztosítása érdekében rutin karbantartási tervet kell készíteni és betartani. A normál működési körülmények között naponta használt berendezésekhez a következő rutin karbantartási terv alkalmazható. Ha szükséges, akkor az ütemezést a kompresszor működési feltételeinek megfelelően módosítani kell. A módosításokat a működési órák és a működési környezet befolyásolják. A különösen piszkos és/vagy barátságtalan környezetben működő kompresszoroknál a karbantartási felülvizsgálatokat gyakrabban kell elvégezni.

RUTIN KARBANTARTÁSI TERV

1. Engedje le a vizet a légtartályból, az esetleges víztelenítőkől és transzformátorokból.
2. Ellenőrizze a szokatlan zajokat és/vagy rezgéseket.
3. Manuálisan ellenőrizze a biztonsági szelepeket, és bizonyosodjon meg róla, hogy megfelelően működnek.

⚠ FIGYELEM! Robbanásveszély.

Ellenőrizze a biztonsági szelepet. Ha a biztonsági szelep nem működik megfelelően, akkor túlnyomás alakulhat ki. Ez a légtartály megrepedését vagy felrobbanását okozhatja, ami anyagi kárt vagy személyi sérülést okozhat.

- Vizsgálja meg a levegősűrítőt és szükség esetén cserélje ki.
- Nézzé át a légvezetéseket és a csatlakozásokat a szivárgások tekintetében; szükség esetén javítsa meg azokat.
Egy év működés után, vagy ha problémát tapasztal:

- Ellenőrizze a légsűrítő szivattyúja bemeneti és kimeneti szelepeinek állapotát.
 - Ellenőrizze a visszacsapószelep állapotát. Cserélje ki, ha sérült vagy elhasználódott.
- A csavarok, fejescsavarok és védőburkolatok legyenek szilárdan rögzítve. Rendszeresen ellenőrizze ezek állapotát.

⚠ FIGYELEM!

A csavarok, fejescsavarok és védőburkolatok legyenek szilárdan rögzítve. Ha a csavarlemezek vagy védőlapok meglazulnak, az anyagi kárt vagy személyi sérülést okozhat.

1) HIBAELEHÁRÍTÁS

PROBLÉMA	OK	JAVÍTÁS
Nem indul el	A biztosíték elolvadt vagy a megszakító kioldott; Laza elektromos csatlakoztatás; A hosszabbító kábel nem megfelelő; A motor túlmelegedett	Keresse meg az okot, majd cserélje ki vagy állítsa alapállapotba; Ellenőrizze a kábel csatlakoztatását, Max. 15 m, min. 14 ga; Használja a visszaállító gombot/várja meg az automatikus visszaállítást.
Alacsony nyomás	Szivárog a levegő a biztonsági szelepen Eldugult a légsűrő Hibás visszacsapó szelep	Ellenőrizze kézzel a szelepet: húzza fel az órkarikát. Ha a probléma nem oldódik meg; cserélje ki a szelepet; tisztítsa meg vagy cserélje ki a légsűrőt; cserélje ki a visszacsapó szelepet.
Kienged a biztonsági szelep	Hibás nyomáskapcsoló vagy nem megfelelő beállítás	Ellenőrizze a megfelelő beállítást, és ha probléma nem szűnik meg, cserélje ki a nyomáskapcsolót

2) FIGYELMEZTETÉS!

A helytelen irányú szállítás és emelés károsítja a berendezést.

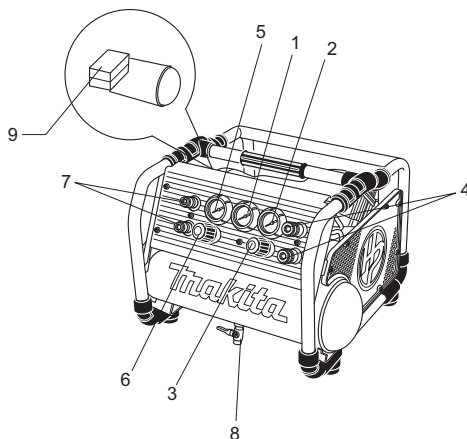
Napi karbantartás

- A minden használat előtt:
 - Ellenőrizze, hogy minden csavar és anya szorosra van-e húzva.
 - Ellenőrizze a szokatlan zajokat és/vagy rezgéseket.
- Minden használat után:

Engedje le a levegőt a légtartályból. Nyissa ki a leeresztő csapot a légtartály alsó részén, hogy leeresse a kondenzációt a tartályból.
- Heti karbantartás:
 - Ellenőrizze a biztonsági szelep működését.
 - Ellenőrizze a légkapcsolót a tervezett nyomáson (2,8 Mpa).
 - Tisztítsa meg a légsűrőt.
- Havi karbantartás:
 - Vizsgálja meg a légrendszer szivárgását úgy, hogy szappanos vizet tesz az összes csatlakozási pontra. Húzza meg azokat a csatlakozókat, ahol szivárgást tapasztal.
 - Ellenőrizze, hogy minden csavar és anya szorosra van-e húzva.
 - Cserélje ki a légsűrőt egy újra.
 - Tisztítsa meg a kompresszor burkolatát.
- Negyedéves karbantartás:
 - Ellenőrizze, hogy a henger és a dugattyú kopását.

Legendă vedere de ansamblu

1. Manometru pentru rezervorul de aer
2. Manometru reglat "HP"
3. Regulator de aer "HP"
4. Cuple rapide "HP" (ieșire aer)
5. Manometru reglat "RP"
6. Regulator de aer "RP"
7. Cuplă rapidă "RP" (ieșire aer)
8. Robinet de drenare
9. Presostat



SPECIFICAȚII

Modelul	AC310H
Putere MAXIMA absorbita	1800 W
SCFM la 40 PSIG (l/min la 2,8 bar)	3,7 (106 l)
SCFM la 90 PSIG (l/min la 6,2 bar)	3,6 (101 l)
SCFM la 300 PSIG (l/min la 21 bar)	2,7 (77 l)
Presiunea de cuplare	2,3 MPa (23 bar)
Presiunea de decuplare	2,8 MPa (28 bar)
Alezaj x Cursă x Cantitate	62 mm x 31 mm x 1,45 mm x 10 mm x 1
Tensiune - Monofazată	220 - 240 V c.a.
Hz	50 Hz
Turație motor	1420 min ⁻¹
Lubrifierea	Fără ulei
Mărimea rezervorului	1,6 gal (6,2 l)
Greutatea	36 kg (79,4 livre)
Dimensiuni (L x h x l)	18-3/4" x 14-3/4" x 20" (476 x 375 x 507 mm)
Presiunea maximă de ieșire "HP" (Exclusiv pentru utilizare pneumatică cu înaltă presiune)	2,6 MPa (26 bar)
Presiunea maximă de ieșire "RP" (Exclusiv pentru utilizare pneumatică cu presiune normală)	0,9 MPa (9 bar)
Zgomot	LWA 90 dB

- Ca urmare a programului nostru continuu de cercetare - dezvoltare, specificațiile din prezentul manual se pot modifica fără înștiințare prealabilă.
- Notă: Specificațiile pot diferi de la o țară la alta.

Cerința minimă pentru circuit: 7 amperi

* Este preferabilă montarea unui întrerupător de circuit. Folosiți doar o siguranță sau un întrerupător cu aceleași caracteristici nominale ca și circuitul de ramificare pe care se utilizează compresorul de aer. În cazul în care compresorul de aer este conectat la un circuit protejat prin siguranțe, folosiți siguranțe cu temporizare.

IMPORTANT

Citiți cu atenție Normele de siguranță și TOATE instrucțiunile înainte de utilizare.

Simboluri

Veți găsi în continuare simbolurile folosite pentru echipament.

Asigurați-vă că ați înțeles semnificația acestora înainte de utilizare.



..... Citiți manualul de utilizare.



..... Pericol de electrocutare.
Atenție: înainte de efectuarea oricăror lucrări asupra compresorului, acesta trebuie deconectat de la alimentarea cu tensiune.



..... Pericol de temperaturi ridicate.
Atenție: compresorul cuprinde unele piese ce pot atinge temperaturi ridicate.



..... Pericol de pornire accidentală.
Atenție, compresorul poate porni automat în cazul unei pene de curent, urmată de resetare.



..... Purtați ochelari de protecție.



..... Doar pentru țările UE
Nu aruncați aparatele electrice în gunoii menajer!
În conformitate cu directiva europeană 2002/96/EC despre deșeurile de echipamente electrice și electronice și implementarea sa conform legislației naționale, echipamentele electrice trebuie colectate separat și reciclate corespunzător în vederea protejării mediului.

INSTRUCȚIUNI IMPORTANTE PRIVIND ȘIGURANȚA

⚠️ AVERTISMENT

CITIȚI ȘI ÎNȚELEGEȚI TOATE INSTRUCȚIUNILE

Dacă nu respectați toate instrucțiunile de mai jos, există riscul electrocutării, incendiului și/sau al accidentării grave.



PĂSTRAȚI ACESTE INSTRUCȚIUNI.

ZONA DE LUCRU

1. **Mențineți zona de lucru curată și bine iluminată.** Zonele de lucru în dezordine și întunecoase favorizează accidentele.
2. **Nu utilizați mașinile electrice în medii explozive, cum ar fi prezența lichidelor, gazelor sau pulberilor inflamabile.** Mașinile electrice provoacă scântei ce pot aprinde pulberea sau vaporii.
3. **Asigurați-vă că nu sunt în apropiere persoane, copii și vizitatori în timpul funcționării unei mașini electrice.** Distragerea atenției poate duce la pierderea controlului mașinii. Protejați celelalte persoane din zona de lucru de reziduuri cu ar fi așchiile sau scânteele. Asigurați ecrane sau paravane, în funcție de necesități. Nu trebuie permis niciodată accesul copiilor în zona de lucru.
4. **Temperatura adecvată a camerei este +5°C ÷ +30°C. (maxim 0°C ÷ + 40°C)**

⚠️ AVERTISMENT

UTILIZAREA SAU ÎNTREȚINEREA NECORESPUNZĂTOARE A ACESTUI PRODUS POATE PROVOCĂ VĂTĂMĂRI GRAVE ȘI DISTRUGERI ALE PROPRIETĂȚII. ÎNAINTE DE A UTILIZA ACEST ECHIPAMENT TREBUIE SĂ CITIȚI ȘI SĂ ÎNȚELEGEȚI TOATE AVERTISEMENTELE ȘI INSTRUCȚIUNILE DE OPERARE.

⚠️ AVERTISMENT

Pericol de utilizare nesigură

CE SE POATE ÎNTÂMPLA

Utilizarea nesigură a compresorului de aer poate provoca vătămări grave dvs. sau celor din jur.

MOD DE PREVENIRE

- Revizuiți și înțelegeți toate instrucțiunile și avertismentele din acest manual.
- Familiarizați-vă cu utilizarea și comenzile compresorului de aer.
- Aveți grijă ca în suprafața de operare să nu se afle persoane, animale și alte obstacole.
- Aveți permanent grijă ca în apropierea compresorului de aer să nu se afle copii.
- Nu utilizați produsul dacă sunteți obosit sau dacă vă aflați sub influența alcoolului sau a drogurilor/medicamentelor. Rămâneți vigilenți în permanență.
- Nu dezactivați niciodată caracteristicile de siguranță ale acestui produs.
- Echipați suprafața de operare cu un stingător de incendiu.
- Nu operați utilajul dacă acesta prezintă piese lipsă, rupte sau neautorizate.

AVERTISMENT



Pericol de explozie a rezervorului de aer

CE SE POATE ÎNTÂMPLA

Următoarele situații pot provoca o slăbire a rezervorului, DUCÂND LA O EXPLOZIE VIOLENTĂ A REZERVORULUI, CE POATE PROVOCA VĂTĂMĂRI GRAVE DVS. SAU CELOR DIN JUR:

- Drenarea necorespunzătoare a apei condensate din rezervor, ce provoacă ruginirea și subțierea peretelui rezervorului.
- Modificări sau tentative de reparare a rezervorului.
- Modificări neautorizate ale presostatului, ale supapei de siguranță sau ale oricăror alte componente ce controlează presiunea din rezervor.

MOD DE PREVENIRE

- Drenați rezervorul de aer zilnic sau după fiecare utilizare. Dacă rezervorul de aer prezintă o scurgere, înlocuiți-l cu un rezervor nou sau înlocuiți tot compresorul.
- Nu realizați operații de găurire, sudură sau alte tipuri de modificări ale rezervorului de aer, deoarece acestea pot provoca slăbirea rezervorului. Rezervorul se poate fisura sau exploda. Înlocuiți-l cu un nou rezervor de aer.
- Urmați recomandările producătorului echipamentului și nu depășiți niciodată presiunea nominală maximă admisă a dispozitivelor accesorii. Nu folosiți niciodată compresorul pentru a umfla obiecte de dimensiuni mici, de joasă presiune, de exemplu: jucării pentru copii, mingi de fotbal, de baschet etc.

AVERTISMENT



Pericol de explozie a anexelor și accesoriilor

CE SE POATE ÎNTÂMPLA

Depășirea presiunii nominale a sculelor pneumatice, a pistoalelor pulverizatoare, a accesoriilor ce funcționează cu aer, a anvelopelor și a altor produse gonflabile poate produce explozia sau distrugerea acestora, provocând vătămări grave dvs. și celor din jur.

AVERTISMENT



Pericol de electrocutare

CE SE POATE ÎNTÂMPLA

- Compresorul de aer funcționează pe bază de electricitate. La fel ca orice alt dispozitiv acționat electric, acesta poate provoca electrocutări dacă nu este utilizat corect.
- Împământarea electrică: nerealizarea unei împământări corespunzătoare a produsului poate crește pericolul de electrocutare.

MOD DE PREVENIRE

- Toate cablajele electrice sau reparațiile de care are nevoie produsul trebuie executate de personal calificat

sau de un electrician autorizat, conform codurilor electrice naționale și locale.

- Asigurați-vă că, circuitul electric la care este conectat compresorul oferă o împământare electrică adecvată, tensiune corectă și protecție corespunzătoare prin siguranțe.
- Nu utilizați niciodată compresorul în aer liber atunci când plouă, sau într-un mediu umed.
- Nu utilizați niciodată compresorul dacă dispozitivele de protecție sau capacele sunt deteriorate sau lipsesc complet.

AVERTISMENT



Pericol de explozie sau incendiu

CE SE POATE ÎNTÂMPLA

Este normal să se producă o scnteie la contactele electrice din motor și din presostat, la pornirea sau oprirea compresorului. Nu utilizați niciodată compresorul într-un mediu în care sunt prezenți vapori inflamabili. Acest lucru poate provoca vătămări grave dvs. sau celor din jur.

MOD DE PREVENIRE

- Utilizați întotdeauna compresorul într-un spațiu bine ventilat, fără vapori de benzină sau de solvent.
- Dacă pulverizați materiale inflamabile, amplasați compresorul la cel puțin 6,1 m față de zona de pulverizare.
- Depozitați materialele inflamabile într-un loc sigur, la distanță de compresor.

AVERTISMENT



Pericol pentru respirație

CE SE POATE ÎNTÂMPLA

- Aerul comprimat din compresor este periculos pentru respirație.
Fluxul de aer poate conține monoxid de carbon sau alți vapori, particule din rezervor sau alte componente.
- Produsele pulverizate, precum vopseaua, solventii de vopsea, agenții de decapare, insecticidele, erbicidele etc., conțin vapori nocivi și substanțe toxice.
- Se pot produce vătămări grave dacă respirați vapori din compresor sau din produsele pulverizate.

MOD DE PREVENIRE

- Nu inhalați niciodată aer din compresor, nici direct, nici printr-un dispozitiv de respirație conectat la compresor. Lucrați într-un spațiu cu o bună ventilație transversală.
- Citiți și urmați instrucțiunile de siguranță de pe etichetă sau din fișa cu date de securitate a produsului pulverizat.
Folosiți un respirator aprobat, proiectat pentru a fi utilizat în situația dumneavoastră de lucru.

AVERTISMENT

Risc produs de zgomot



Pericol antrenat de aerul comprimat



CE SE POATE ÎNTÂMPLA

Fluxul de aer comprimat poate provoca leziuni ale țesuturilor moi și poate propulsa murdăria, așchiile, particulele libere și obiectele de mici dimensiuni la o viteză ridicată, provocând distrugerii ale proprietății sau vătămări corporale.

MOD DE PREVENIRE

- Purtați întotdeauna ochelari de protecție aprobați, cu apărători laterale, atunci când folosiți sau efectuați întreținerea compresorului.
- Nu îndreptați duzele sau pulverizatoarele înspre o parte a corpului sau înspre alte persoane sau animale.
- Închideți întotdeauna compresorul și depresurizați conducta de aer înainte de a realiza operațiuni de întreținere, de a atășa scule sau accesorii.

⚠️ AVERTISMENT

Pericol antrenat de părțile în mișcare



CE SE POATE ÎNTÂMPLA

Compresorul ciclează automat atunci când presostatul se află în poziția "on" (pornit) / "auto" (automat). Dacă încercați să efectuați reparații sau să realizați operații de întreținere atunci când compresorul funcționează sau este branșat la priză, vă puteți expune părților în mișcare. Aceste părți în mișcare pot provoca leziuni grave.

MOD DE PREVENIRE

- Scoateți întotdeauna compresorul din priză și depresurizați rezervorul și toate accesoriile înainte de a realiza operațiuni de întreținere sau reparații.
- Nu utilizați niciodată compresorul dacă dispozitivele de protecție sau capacele sunt deteriorate sau lipsesc complet.
- Nu vă apropiați părul, hainele sau mânușile de părțile în mișcare. Hainele prea largi, bijuteriile și părul lung se pot prinde în părțile în mișcare.
- Și gurile de aerisire trebuie evitate, deoarece acestea pot acoperi părți în mișcare.

⚠️ AVERTISMENT

Risc de ardere

⚠️ AVERTISMENT

Nu operați compresorul portabil cu ușile sau incintele deschise!



⚠️ AVERTISMENT

Nu deschideți robinetul înainte ca furtunul de aer să fie atașat!



CE SE POATE ÎNTÂMPLA

Contactul cu piesele fierbinți, precum capul compresorului sau țevile de evacuare, poate duce la arsuri grave.

MOD DE PREVENIRE

- Nu atingeți niciodată componentele fierbinți în timp ce utilizați sau imediat după ce ați utilizat compresorul. Nu vă apropiați de mantalele de protecție și nu încercați să realizați operații de întreținere până ce nu ați lăsat echipamentul să se răcească.
- Manipularea și ridicarea: țineți mânerul numai atunci când deplasați sau transportați compresorul.
- Pentru a evita rănirea, nu atingeți cilindrul, chiuilasa sau furtunul de eșapare și alte piese supraîncălzite, atunci când compresorul este în funcțiune sau oprit de mai puțin de o oră.

⚠️ AVERTISMENT

Transport

- a Înclinarea maximă în timpul tractării este de cel puțin 30°.
- b Nu folosiți vehicule pentru tractare.
- c Nu utilizați compresorul cu gaze inflamabile, explozive sau erozive.

GLOSAR

CFM: Picioare cubice pe minut.

SCFM: Picioare cubice standard pe minut; unitate de măsură a debitului de aer.

PSIG: Livre pe țol pătrat de presiune manometrică; unitate de măsură a presiunii.

PRESIUNEA DE CUPLARE: Când motorul este oprit, presiunea din rezervorul de aer scade dacă utilizați în continuare accesoriul sau scula pneumatică. Când presiunea din rezervor scade la un anumit nivel, motorul va reporni automat, ceea ce se numește "presiune de cuplare".

PRESIUNEA DE DECUPLARE: Când porniți compresorul de aer, acesta începe să funcționeze, iar în rezervorul de aer începe să se formeze presiune. Presiunea se formează până la o anumită valoare, după care motorul se oprește automat - ca măsură de protecție a rezervorului de aer împotriva unei presiuni mai ridicate decât cea nominală. Presiunea la care se închide motorul este denumită "presiune de decuplare".

CICLUL DE FUNCȚIONARE

Utilizarea tuturor compresoarelor de aer fabricate de Makita se va realiza la un ciclu de funcționare de maxim 50%. Aceasta înseamnă că situația unui compresor de aer care pompează aer mai mult de 50% dintr-o oră este considerată o utilizare incorectă, deoarece compresorul de aer este subdimensionat pentru necesarul de aer respectiv.

INFORMAȚII GENERALE

Acest compresor de aer este dotat cu o pompă FĂRĂ ULEI, proiectată pentru o utilizare durabilă, fără întreținere.

Acest compresor poate fi folosit pentru forjoare de cuie și capsatoare pneumatice corect normate. Pentru aceste aplicații se furnizează un regulator al presiunii aerului.

⚠️ AVERTISMENT:

Nu folosiți niciodată compresorul în alte scopuri decât pentru a acționa un forjor de cuie sau un capsator, corect normate. Utilizarea compresorului în alte scopuri poate duce la provocarea unor daune sau a accidentării.

Dacă este cazul, se vor folosi transformatoare de aer separate, care să combine funcțiile de reglare a aerului și/ sau eliminare a umezelii și murdăriei.

INSPECȚIA LA RECEPȚIE

DETERIORĂRILE: Fiecare compresor de aer este testat și verificat cu atenție înainte de livrare. Dacă manipularea se realizează necorespunzător, în timpul transportului pot apărea deteriorări ce pot provoca probleme în utilizarea compresorului.

Verificați echipamentul imediat după sosire, ca acesta să nu prezinte deteriorări ascunse sau vizibile, pentru a evita eventualele cheltuieli pe care va trebui să le suportați pentru corectarea acestor probleme. Această operație trebuie realizată indiferent dacă containerul în care a fost transportat echipamentul prezintă sau nu semne vizibile de deteriorare. Dacă produsul v-a fost expediat direct, raportați transportatorului toate deteriorările și luați imediat măsuri pentru inspecția produselor.

DEPOZITAREA

Înainte de a depozita compresorul de aer, realizați următoarele operații:

1. Treceți în revistă secțiunile "Întreținere" și "Proceduri de utilizare" și realizați întreținerea după cum este necesar. Drenați apa din rezervorul de aer.
2. Protejați cablul electric și furtunul de aer împotriva deteriorărilor (de exemplu, să nu se calce sau să nu se treacă peste ele).

Păstrați compresorul de aer într-un loc curat și uscat.

DESCRIEREA UTILIZĂRII

ROBINET DE DRENARE: Robinetul de drenare se află în partea inferioară a rezervorului de aer și se folosește pentru a drena condensul la sfârșitul fiecărei utilizări.

ÎNTRERUPĂTORUL PENTRU CIRCUITUL TERMIC:

Motorul electric are un întrerupător manual pentru resetare. Dacă motorul se supraîncălzește, indiferent de motiv, acesta va fi oprit de către întrerupătorul de circuit. Treceți presostatul în poziția "off" (oprit) și așteptați să se răcească aparatul înainte de a apăsa butonul de resetare și de a reporni compresorul.

PROTECȚIA MOTORULUI ÎN CAZ DE SUPRASARCINĂ TERMICĂ:

Când valoarea nominală a motorului este depășită, dispozitivul de protecție termică se va declanșa și va opri automat motorul.

Lăsați motorul să se răcească înainte de a-l reporni. Compresorul va porni automat după pornirea motorului.

COMUTATORUL "ON/AUTO - OFF" (PORNIT/AUTOMAT - OPRIT):

Treceți acest comutator în poziția "on" (pornit) pentru a alimenta automat presostatul și în poziția "off" (oprit) pentru a decupla alimentarea atunci când ați terminat de folosit compresorul sau când compresorul va fi lăsat nesupravegheat.

FILTRUL DE ADMISIE A AERULUI:

Acest filtru este proiectat pentru a curăța aerul ce intră în pompa compresorului. Acest filtru trebuie să fie întotdeauna curat și să nu prezinte restricții. Vezi secțiunea "Întreținere".

POMPA COMPRESORULUI DE AER:

Pentru a comprima aerul, pistonul se mișcă în cilindru, în sus și în jos. În timpul cursei în jos, aerul pătrunde în interior prin supapa de admisie a aerului. Supapa de evacuare rămâne închisă.

În timpul cursei în sus a pistonului, aerul se comprimă. Supapa de admisie se închide, iar aerul comprimat este eliberat prin supapa de evacuare, prin conducta de ieșire, prin armătura de reținere și în rezervorul de aer. Până ce compresorul nu ridică presiunea din rezervorul de aer la o valoare superioară celei necesare la gura de evacuare a aerului, aerul nu se va putea utiliza.

ARMĂTURA DE REȚINERE:

Când compresorul de aer funcționează, armătura de reținere se află în poziția "deschis", permițând pătrunderea aerului comprimat în rezervorul de aer. Când compresorul de aer atinge presiunea de "decuplare", armătura de reținere "se închide", permițând rămânerea presiunii aerului în rezervorul de aer.

SUPAPA DE DESCĂRCARE A PRESOSTATULUI:

Supapa de descărcare a presostatului aflată în lateralul acestuia are rolul de a elibera automat aerul comprimat din capul compresorului și din conducta de evacuare atunci când compresorul de aer atinge presiunea de "decuplare".

PRESOSTATUL:

Presostatul pornește automat motorul atunci când presiunea din rezervorul de aer scade la presiunea de "cuplare" configurată din fabrică. Acesta oprește motorul atunci când presiunea din rezervorul de aer atinge presiunea de "decuplare" configurată din fabrică.

SUPAPA DE SIGURANȚĂ:

În cazul în care presostatul nu oprește compresorul de aer la valoarea configurată a presiunii de "decuplare", supapa de siguranță va proteja împotriva unei presiuni ridicate, "sărind în afară" la presiunea configurată din fabrică, aceasta fiind puțin mai mare decât valoarea configurată pentru "decuplarea" presostatului.

MANOMETRUL PRESIUNII DE EVACUARE:

Manometrul presiunii de evacuare indică presiunea aerului disponibilă pe partea de ieșire a regulatorului. Această presiune este controlată de regulator și este

întotdeauna mai mică sau egală cu presiunea din rezervor. Vezi secțiunea "Proceduri de utilizare".

MANOMETRUL PRESIUNII DIN REZERVOR:

Manometrul presiunii din rezervor indică presiunea aerului din rezervor.

REGULATORUL:

Presiunea aerului ce iese din rezervorul de aer este controlată cu ajutorul butonului rotativ al regulatorului. Rotiți acest buton în sensul acelor de ceas pentru a mări presiunea și în sens invers pentru a reduce presiunea. Pentru a evita eventuale reajustări minore după modificarea presiunii configurate, aproximați întotdeauna presiunea dorită plecând de la o presiune mai mică. Atunci când reduceți presiunea de la o valoare mai mare la una mai mică, reduceți mai întâi la o presiune puțin inferioară celei dorite. În funcție de necesarul de aer al fiecărui accesoriu, este posibil ca presiunea reglată a aerului de evacuare să trebuiască ajustată în timpul utilizării accesoriului.

IEȘIREA DE AER COMPRIMAT; marcaj "HP"

Pentru utilizare exclusivă cu scule pneumatice de înaltă presiune

Presiunea maximă de evacuare; 2,6 MPa (26 bar)

IEȘIREA DE AER COMPRIMAT; marcaj "RP"

Pentru utilizare cu scule pneumatice cu presiune normală

Presiunea maximă de evacuare; 0,9 MPa (9 bar)

PROCEDURI DE INSTALARE ȘI RODAJ

AMPLASAREA COMPRESORULUI DE AER

Amplasați compresorul de aer într-un loc curat, uscat și bine ventilat. Filtrul de aer trebuie păstrat curat, fără

restricții ce ar putea reduce debitul de aer al compresorului. Compresorul de aer trebuie amplasat la o distanță de cel puțin 0,3 m față de perete sau de alte obstacole ce interferează cu fluxul de aer. Capul și mantaua compresorului sunt proiectate astfel încât să permită o răcire adecvată. Dacă umiditatea este ridicată, pe adaptorul ieșirii de aer se poate instala un filtru de aer, care va îndepărta excesul de umezeală. Pentru a realiza în mod corect instalarea, urmați instrucțiunile livrate împreună cu filtrul de aer.

Amplasați compresorul de aer pe o suprafață plană în așa fel încât să se sprijine bine pe picioarele de cauciuc.

LUBRIFIEREA

Acest compresor de aer este dotat cu o pompă FĂRĂ ULEI, proiectată pentru o utilizare durabilă, fără întreținere.

Alimentarea cu tensiune

Utilizați compresorul la tensiunile specificate pe plăcuța de tip, toleranța admisă fiind de $\pm 5\%$. Dacă utilizați compresorul la o tensiune mai mare decât cea nominală, mișcarea de revoluție a motorului va fi anormal de rapidă, deteriorând aparatul și provocând arderea motorului.

Prelungitoarele

Pentru a preveni căderile de tensiune, pierderile de energie și supraîncălzirea motorului, folosiți un furtun de aer suplimentar în locul unui prelungitor. Tensiunile joase pot avaria motorul.

Dacă trebuie folosit un prelungitor:

- Folosiți doar un prelungitor aprobat cu trei fire, care are un ștecher Schuko cu trei picioare și o priză cu trei găuri, care va accepta acest ștecher, pe compresorul de aer.
- Asigurați-vă că prelungitorul se află în stare bună.

Consultați tabelul de mai jos pentru dimensiunile MINIME ale prelungitorului manometrului:

Intervalul acceptat pentru curentul nominal (220 - 240 V)	Lungimea totală a cablului, în metri					
	10 m 25 picioare	15 m 50 picioare	20 m 75 picioare	30 m 100 picioare	50 m 150 picioare	60 m 200 picioare
0 - 5 A	1,5 mm ²	1,5 mm ²	1,5 mm ²	2,5 mm ²	4 mm ²	4 mm ²
5,1 - 8 A	1,5 mm ²	1,5 mm ²	2,5 mm ²	4 mm ²	4 mm ²	4 mm ²
8 - 12 A	2,5 mm ²	2,5 mm ²	4 mm ²	Nerecomandat		

Conductele

Nu se recomandă utilizarea conductelor din plastic sau din PVC în combinație cu aerul comprimat. Indiferent de presiunea nominală indicată, conductele din plastic pot exploda ca urmare a presiunii aerului. Pentru liniile de distribuție a aerului folosiți doar conducte din metal. Dacă trebuie să utilizați o conductă, folosiți una de aceeași mărime cu sau mai mare decât ieșirea rezervorului de aer. Conductele prea mici vor restricționa fluxul de aer. În cazul în care conductele sunt mai lungi de 100 de picioare, folosiți unele de mărimea imediat următoare.

Îngropați liniile subterane sub linia de îngheț și evitați realizarea de porțiuni în care se poate acumula și poate îngheța condensul. Aplicați presiune înainte de acoperirea liniilor subterane, pentru a vă asigura că niciuna din îmbinările conductelor nu prezintă scurgeri.

Instrucțiuni pentru împământare

⚠️ AVERTISMENT: Pericol de electrocutare! În caz de scurtcircuit, împământarea reduce pericolul de electrocutare, deoarece există un cablu pentru direcționarea curentului electric. Compresorul trebuie împământat corespunzător.

Compresorul de aer este prevăzut cu un cablu, care are un fir de împământare cu o fișă de împământare corespunzătoare. Fișa trebuie utilizată cu o ieșire care a fost instalată și împământată conform tuturor codurilor și ordonanțelor locale. Priza trebuie să aibă aceeași configurație ca fișa. NU FOLOSIȚI UN ADAPTOR.

Inspectați fișa și cablul înainte de fiecare utilizare. Nu folosiți echipamentele dacă acestea prezintă semne de deteriorare.

PERICOL:

Dacă împământarea s-a realizat necorespunzător, se pot produce electrocutări. Nu modificați fișa furnizată. Dacă aceasta nu se potrivește la priza disponibilă, un electrician calificat trebuie să instaleze o priză corespunzătoare.

PROCEDURI DE UTILIZARE

Listă de verificări zilnice pentru pornire

INSTALAREA FURTUNELOR

⚠️ AVERTISMENT:

Pericol de utilizare nesigură. Prindeți bine furtunul cu mâna la instalare sau la deconectare, pentru a evita efectul de biciuire al acestuia.

Pierderea controlului furtunului poate duce la accidentări sau la provocarea unor daune.

1. Înainte de a monta furtunul de aer sau accesoriile, asigurați-vă că maneta presostatului este configurată pe "OFF" (OPRIT), iar regulatorul de aer sau armătura de izolare este închis(ă).
2. Montați furtunul și accesoriile. O presiune prea ridicată a aerului poate provoca explozii. Verificați presiunea nominală maximă recomandată de producătorul sculelor și accesoriilor pneumatice. Presiunea de ieșire a regulatorului nu trebuie să depășească niciodată presiunea nominală maximă.
3. Rotiți maneta presostatului pe "ON/AUTO" (PORNIT/AUTOMAT) și permiteți formarea de presiune în rezervor. Motorul se va opri atunci când presiunea din rezervor atinge valoarea presiunii de "decuplare".
4. Deschideți regulatorul rotindu-l în sensul acelor de ceas. Ajustați regulatorul la presiunea corectă. Compresorul este gata de utilizare.
5. Utilizați întotdeauna compresorul în spații bine ventilate, fără vapori de benzină sau de solvent. Nu utilizați compresorul în apropierea zonei de pulverizare.

Când ați terminat:

DECONNECTAREA FURTUNELOR

⚠️ AVERTISMENT:

Pericol de utilizare nesigură. Prindeți bine furtunul cu mâna la instalare sau la deconectare, pentru a evita efectul de biciuire al acestuia.

Pierderea controlului furtunului poate duce la accidentări sau la provocarea unor daune.

6. Treceți maneta presostatului pe "OFF" (OPRIT).
7. Reduceți presiunea din rezervor la zero, folosind scula sau accesoriul pneumatic(ă).

8. Scoateți scula sau accesoriul pneumatic(ă).

9. Drenați apa din rezervorul de aer, deschizând supapa robinetului de golire din partea inferioară a rezervorului. APA VA CONDENSA ÎN REZERVORUL DE AER. DACĂ NU ESTE DRENATĂ, APA VA CORODA ȘI VA SLĂBI REZERVORUL DE AER, ACESTA PREZENTÂND PERICOL DE FISURARE.

Notă:

Dacă supapa de drenare este astupată, eliberați toată presiunea aerului.

10. Închideți supapa de drenare după ce ați drenat apa. Acum compresorul de aer poate fi depozitat.

⚠️ AVERTISMENT:

Drenați corect rezervorul de aer. Drenarea incorectă a rezervorului de aer poate duce la coroziune sau la explozarea rezervorului. Explodarea rezervorului poate duce la accidentări sau la provocarea unor daune. Instrucțiunile suplimentare din avertismentul original repetă informațiile de la punctul 9 de mai sus. În plus, nu se menționează că trebuie oprit compresorul.

ÎNȚREȚINERE

⚠️ AVERTISMENT:

Nu folosiți niciodată compresorul de aer dacă nu funcționează normal.

În cazul în care compresorul pare să funcționeze incorect, emite zgomote ciudate sau vibrații, opriți imediat utilizarea lui și luați măsuri pentru ca acesta să fie reparat de un centru autorizat Makita.

⚠️ AVERTISMENT:

Folosiți doar piese de schimb Makita originale. Utilizarea de piese de schimb care nu sunt produse de Makita poate duce la anularea garanției, la funcționarea necorespunzătoare și poate provoca accidentări. Puteți achiziționa piese Makita originale de la un distribuitor autorizat.

⚠️ AVERTISMENT:

APARATUL CICLEAZĂ AUTOMAT ATUNCI CÂND ESTE PORNITĂ ALIMENTAREA. ÎN TIMPUL ÎNȚREȚINERII, PUTEȚI FI EXPUS UNOR SURSE DE TENSIUNE, AERULUI COMPRIMAT SAU PĂRȚILOR ÎN MIȘCARE. SE POT PRODUCE VĂTĂMĂRI CORPORALE. ÎNAINTE DE REALIZAREA OPERAȚIILOR DE ÎNȚREȚINERE SAU A REPARAȚIILOR, SCOATEȚI COMPRESORUL DIN PRIZĂ ȘI ELIMINAȚI TOATĂ PRESIUNEA.

Pentru a asigura o funcționare eficientă și o durată mai lungă de viață a compresorului de aer, trebuie pregătit și respectat un program de întreținere de rutină. Următorul program de întreținere de rutină este conceput pentru un aparat care funcționează zilnic într-un mediu normal de lucru. Dacă este cazul, programul trebuie modificat în funcție de condițiile de utilizare a compresorului dvs. Modificările vor depinde de numărul de ore de funcționare

și de mediul de lucru. Compressoarele care funcționează într-un mediu extrem de murdar și/sau ostil trebuie verificate mai des în privința tuturor punctelor de mai jos.

PROGRAMUL DE ÎNTREȚINERE DE RUTINĂ

1. Drenați apa din rezervorul de aer, din separatoarele de umezeală sau din transformatoare.
2. Verificați să nu existe zgomote și/sau vibrații neobișnuite.
3. Verificați manual toate supapele de siguranță, pentru a vă asigura că acestea funcționează corect.

⚠️ AVERTISMENT: Pericol de explozie. Verificați supapa de siguranță. Dacă supapa de siguranță nu funcționează corect, suprapresurizarea rezervorului de aer poate duce la fisurarea sau explozia rezervorului, provocând accidentări sau daune.

4. Inspectați filtrul de aer, înlocuiți-l dacă este cazul.
5. Inspectați conductele de aer și fittingurile, să nu prezinte scurgeri; corecții după caz.
La fiecare an de funcționare sau dacă se suspectează o problemă:
 - Verificați starea supapelor de admisie și evacuare ale pompei compresorului de aer.
 - Verificați starea armăturii de reținere. Înlocuiți-o dacă este deteriorată sau uzată.
6. Aveți grijă ca toate șuruburile, bolțurile și capacele să fie montate bine. Verificați periodic starea acestora.

⚠️ AVERTISMENT: Aveți grijă ca toate șuruburile, bolțurile și capacele să fie montate bine. În cazul în care șuruburile sau capacele se desfac, acest lucru poate provoca accidentări sau daune.

1) DEPISTAREA DEFECTELOR

PROBLEMA	CAUZA	REMEDIU
Nu va porni	Siguranță fuzibilă arsă sau disjunctor declanșat; Conexiuni electrice slăbite; Cordonul de racord nu este corespunzător; Motor supraîncălzit	Verificați cauza și înlocuiți sau resetați; Verificați conexiunile cablajului Max, 15 m/ 50 ft., min. 14 ga; Utilizați butonul pentru resetare/așteptați resetarea automată
Presiune scăzută	Scurgere de aer în supapa de siguranță Filtru de aer înfundat Armătură de reținere defectă	Verificați manual armătura: împingeți șablonul în sus pe inele. Dacă situația persistă, înlocuiți armătura; Curățați sau înlocuiți filtrul de aer; Înlocuiți armătura de reținere.
Declanșarea supapei de siguranță	Presostat defect sau reglaj necorespunzător	Verificați dacă presostatul este reglat corespunzător și, dacă problema persistă, înlocuiți presostatul

2) AVERTISMENT!

Transportarea și ridicarea în mod incorect poate conduce la deteriorarea aparatului.

Întreținerea zilnică

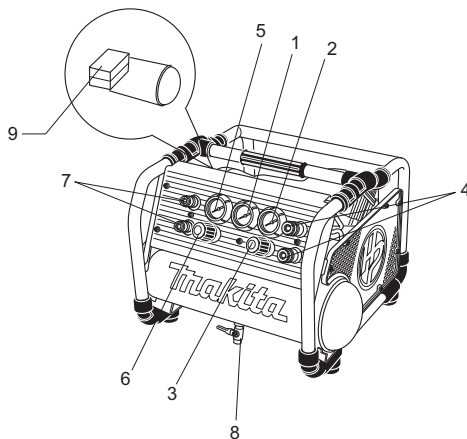
1. Înaintea fiecărei utilizări:
 - A Asigurați-vă că toate piulițele și șuruburile sunt strânse.
 - B Verificați dacă există zgomote sau vibrații neobișnuite.
2. După fiecare utilizare:

Purjați tot aerul din rezervorul de stocare a aerului.
Deschideți robinetul de drenare din partea inferioară a rezervorului de aer, pentru a goli condensul din rezervor.
3. Întreținerea săptămânală:
 - A Verificați funcționarea supapei de siguranță.
 - B Verificați presostatul, presiunea nominală de calcul este 2,8 MPa.
 - C Curățați filtrul de aer.
4. Întreținerea lunară:
 - A Inspectați sistemul de aer în privința scurgerilor de aer aplicând o soluție de apă cu săpun la toate racordurile. Strângeți aceste racorduri dacă sunt observate scurgeri de aer.
 - B Verificați dacă toate piulițele și șuruburile rămân strânse.
 - C Înlocuiți filtrul de aer cu unul nou.

- D Curățați suprafața compresorului de aer.
5. Întreținerea trimestrială:
 - A Verificați cilindrul și pistonul, ocupați-vă de acestea dacă sunt uzate.

Vysvetlenie všeobecného pohľadu

1. Tlakomer zásobníka vzduchu
2. Tlakomer regulovaného tlaku „VT“
3. Vzduchový regulátor „VT“
4. Rýchlospojky „HP“ (výstup vzduchu)
5. Tlakomer regulovaného tlaku „RT“
6. Vzduchový regulátor „RT“
7. Rýchlospojka „RT“ (výstup vzduchu)
8. Vypúšťací ventil
9. Tlakový spínač



ŠPECIFIKÁCIE

Model	AC310H
Maximálny príkon	1800 W
SCFM pri 40 PSIG (l/min. pri 2,8 baru)	3,7 (106 l)
SCFM pri 90 PSIG (l/min. pri 6,2 baru)	3,6 (101 l)
SCFM pri 300 PSIG (l/min. pri 21 baru)	2,7 (77 l)
Zapínací tlak	2,3 MPa (23 barov)
Vypínací tlak	2,8 MPa (28 barov)
Priemer valca x zdvih piestu x množstvo	62 mm x 31 mm x 1,45 mm x 10 mm x 1
Napätie -jednofázové	220 - 240 V AC
Hz	50 Hz
Otáčky motora	1420 min ⁻¹
Mazanie	Samomastiaci
Veľkosť zásobníka	1,6 gal (6,2 l)
Hmotnosť	36 kg (79,4 lb)
Rozmery (D x V x Š)	476 x 375 x 507 mm (18-3/4" x 14-3/4" x 20")
Max. tlak výstupu „VT“ (Výhradne pre vysokotlakové pneumatické použitie)	2,6 MPa (26 barov)
Max. tlak výstupu „RT“ (Výhradne pre pneumatické použitie so štandardným tlakom)	0,9 MPa (9 barov)
Hluk	L _{WA} 90 dB

- Kvôli nášmu neustálemu výskumnému a vývojovému programu sa tu uvedené špecifikácie môžu zmeniť bez upozornenia.
- Poznámka: Špecifikácie sa môžu líšiť podľa konkrétnej krajiny.

Minimálne požiadavky na obvod: 7 A

* Odporúča sa použitie prerušovača. Použite len poistku alebo prerušovač s rovnakou charakteristikou ako prúdová odbočka, na ktorej pracuje vzduchový kompresor. Ak je vzduchový kompresor pripojený k obvodu chráneného poistkami, použite oneskorovacie poistky.

DÔLEŽITÉ

Pred zahájením činnosti si pozorne prečítajte bezpečnostné smernice a VŠETKY pokyny.

Symbyoly

Nasledujú symboly, ktoré sa pre toto zariadenie používajú.

Pred použitím sa presvedčte, že ste porozumeli ich významu.



..... Prečítajte si návod na použitie.



..... Riziko úrazu elektrickým prúdom. Upozornenie: pred vykonaním akejkoľvek činnosti na kompresore je potrebné odpojiť kompresor z elektrickej siete.



..... Riziko vysokých teplôt. Upozornenie: kompresor obsahuje niektoré diely, ktoré by mohli dosahovať vysoké teploty.



..... Riziko náhodného spustenia. Pozor, kompresor by sa v prípade výpadku a následného vynulovania mohol automaticky spustiť.



..... Používajte ochranné okuliare.



..... Len pre štáty EÚ.
Nevyhadzujte elektrické zariadenia do komunálneho odpadu!
Podľa európskej smernice 2002/96/EC o nakladaní s použitými elektrickými a elektronickými zariadeniami a zodpovedajúcich ustanovení právnych predpisov jednotlivých krajín sa použité elektrické zariadenia musia zbierať oddelene od ostatného odpadu a podrobiť sa šetrnej recyklácii.

DÔLEŽITÉ BEZPEČNOSTNÉ POKYNY

⚠ UPOZORNENIE

PREČÍTAJTE SI A POCOHPTE VŠETKY POKYNY

Nedodržiavanie nasledovných pokynov môže mať za následok úraz elektrickým prúdom, požiar alebo vážne zranenie.



TIETO POKYNY SI ODLOŽTE.

PRACOVISKO

1. **Pracovisko udržiavajte čisté a dobre osvetlené.**
Na tmavých pracoviskách a pracoviskách s neporiadkom vzniká riziko úrazu.
2. **Elektrické náradie nepoužívajte vo výbušnom prostredí, napr. v prítomnosti zápalných kvapalín,**

plynov alebo prachu. Elektrické náradie iskrí, následkom čoho sa môžu prach alebo výpary vznietiť.

3. **Počas používania elektrického náradia zabráňte prístupu okolostojacim, deťom a návštevníkom.**
Rozptyľovanie môže spôsobiť, že sa prestanete sústreďovať na to, čo robíte. Ostatné osoby v rámci pracoviska chráňte pre úločkami ako sú triesky a iskrami. V prípade potreby zabezpečte zábrany alebo štíty. Deti by mali mať vždy zákaz vstupovať na pracovisko.
4. **Priemerná izbová teplota je +5°C až +30°C. (maximálne 0°C až + 40°C)**

⚠ VAROVANIE
PRI NESPRÁVNEJ OBSLUHE ALEBO ÚDRŽBE TOHTO PRODUKTU BY MOHLO DÔJSŤ K VÁŽNEMU PORANENIU A ŠKODÁCH NA MAJETKU. PRED POUŽITÍM TOHTO ZARIADENIA SI PREČÍTAJTE VŠETKY VAROVANIA A POKYNY NA OBSLUHU.

⚠ VAROVANIE

Riziko nebezpečnej prevádzky

ČO SA MÔŽE STAŤ

Nebezpečná prevádzka vzduchového kompresora by mohla viesť k vážnemu poraneniu vás alebo ostatných osôb.

AKO TOMU PREDISŤ

- Prečítajte si s porozumením všetky pokyny a varovania v tejto príručke.
- Oboznáňte sa s funkciou a ovládacími prvkami vzduchového kompresora.
- V pracovnom priestore sa nesmú nachádzať žiadne osoby, domáce zvieratá či prekážky.
- Vzduchový kompresor neustále udržiajte mimo dosahu detí.
- Nepracujte s týmto produktom, keď ste unavení alebo pod vplyvom alkoholu či liekov. Neustále buďte ostražití.
- Nikdy neporušujte bezpečnostné funkcie tohto produktu.
- Na pracovisko si zabezpečte hasiaci prístroj.
- Nepracujte s prístrojom, ktorý obsahuje chýbajúce, poškodené alebo neschválené diely.

⚠ VAROVANIE

Riziko prasknutia zásobníka vzduchu



ČO SA MÔŽE STAŤ

Pri nasledujúcich stavoch môže dôjsť k oslabeniu zásobníka a k NÁSLEDNEJ SILNEJ EXPLÓZII ZÁSOBNÍKA, KTORÁ SPÔSOBÍ VÁŽNE PORANENIE VÁS ALEBO INÝCH OSÔB:

- Nesprávne vypustenie skondenzovanej vody zo zásobníka, ktorá spôsobí zhrdzavenie a stenčenie steny zásobníka.
- Úpravy alebo pokusy o opravu zásobníka.
- Neautorizované úpravy na tlakovom spínači, poistnom ventile alebo akýchkoľvek iných komponentoch, ktoré ovládajú tlak v zásobníku.

AKO TOMU PREDÍŠŤ

- Vzduchový zásobník vysušte každý deň alebo po každom použití. Ak sa na zásobníku prejaví netesnosť, okamžite ho vymeňte za nový zásobník alebo vymeňte celý kompresor.
- Do vzduchového zásobníka nevŕtajte, nezvárajte naň ani ho inak neupravujte, inak sa oslabí. Zásobník sa môže roztrhnúť alebo explodovať. Vymeňte ho za nový vzduchový zásobník.
- Dodržiavajte odporúčania výrobcu príslušenstva a nikdy neprekračujte maximálny povolený menovitý tlak prídavných zariadení. Nikdy nepoužívajte kompresor na nafukovanie malých nízkotlakových objektov, napríklad detských hračiek, futbalových alebo basketbalových lôpt a pod.

⚠ VAROVANIE



Riziko prasknutia prídavných zariadení a príslušenstva

ČO SA MÔŽE STAŤ

Pri prekročení menovitého tlaku vzduchových nástrojov, striekacích pištolí, vzduchom poháňaného príslušenstva, pneumatík A iných nafukovacích objektov môže dôjsť k ich explózii alebo roztrhnutiu, čo by mohlo spôsobiť vážne poradenie vás alebo iných osôb.

⚠ VAROVANIE



Riziko úrazu elektrickým prúdom

ČO SA MÔŽE STAŤ

- Tento vzduchový kompresor je poháňaný elektricky. Podobne ako iné elektricky poháňané zariadenia, ak sa nepoužíva správne, môže spôsobiť úraz elektrickým prúdom.
- Elektrické uzemnenie: pri nezabezpečení primeraného uzemnenia tohto produktu by mohlo narásť riziko úrazu elektrickým prúdom.

AKO TOMU PREDÍŠŤ

- Všetky elektrické zapojenia alebo opravy potrebné pre tento produkt musí vykonávať kvalifikovaný servisný pracovník alebo licencovaný elektrikár v súlade so štátnymi a miestnymi elektrickými normami.
- Preverte, či elektrický okruh, ku ktorému je kompresor pripojený, poskytuje správne elektrické uzemnenie, správne napätie a primeranú ochranu poistkami.
- Nikdy nepracujte s kompresorom v exteriéri počas dažďa alebo vo vlhkom prostredí.
- Nikdy nepracujte s kompresorom s poškodenými chráničmi alebo krytmi alebo bez nich.

⚠ VAROVANIE



Riziko explózie alebo požiaru

ČO SA MÔŽE STAŤ

Ide o normálny jav, keď pri spúšťaní alebo zastavovaní kompresora dochádza k iskreniu elektrických kontaktov v motore a tlakovom spínači. Nikdy nepracujte s kompresorom v atmosfére obsahujúcej zápalné výpary.

Inak môže dôjsť k vážnemu poraneniu vás alebo iných osôb.

AKO TOMU PREDÍŠŤ

- Kompresor vždy používajte v dobre vetranom priestore bez obsahu benzínových alebo rozpúšťadlových výparov.
- Ak rozprašujete zápalné materiály, umiestnite kompresor do vzdialenosti minimálne 6,1 od oblasti rozprašovania.
- Zápalné materiály skladujte na bezpečnom mieste mimo dosahu kompresora.

⚠ VAROVANIE



Riziko vdýchnutia

ČO SA MÔŽE STAŤ

- Stlačený vzduch z kompresora nie je bezpečný pre dýchanie. Prúd vzduchu môže obsahovať oxid uhoľnatý či iné výpary alebo čistočky zo zásobníka či iných komponentov.
- Rozprašované materiály, napríklad farba, farbové rozpúšťadlá, odstraňovač starých náterov, insekticídy, herbicídy a pod., obsahujú škodlivé výpary a jedy.
- Pri vdýchnutí výparov z kompresora alebo rozprašovaných materiálov môže dôjsť k poraneniu.

AKO TOMU PREDÍŠŤ

- Nikdy nevdychujte vzduch z kompresora, či už priamo alebo z dýchacieho zariadenia pripojeného ku kompresoru. Pracujte na mieste vybavenom dostatočnou krížovou ventiláciou.
- Prečítajte si a dodržiavajte bezpečnostné pokyny uvedené na štítku alebo háрку s bezpečnostnými údajmi pre rozprašovaný materiál. Používajte schválený respirátor určený pre vaše konkrétne použitie.

⚠ UPOZORNENIE

Riziko spôsobené hlukom



Riziko zásahu stlačeným vzduchom



ČO SA MÔŽE STAŤ

Prúd stlačeného vzduchu môže spôsobiť poranenie mäkkého tkaniva a vrhnúť nečistoty, úlomky, voľné čistočky a malé objekty veľkou rýchlosťou, čo môže spôsobiť poškodenia zariadenia alebo poranenie osôb.

AKO TOMU PREDÍŠŤ

- Pri práci s kompresorom alebo počas vykonávania údržby vždy používajte schválené bezpečnostné okuliare s bočnými chráničmi.
- Nikdy nesmerujte žiadnu dýzu alebo rozprašovač smerom k nejakej časti tela alebo na iné osoby či zvieratá.
- Pred vykonávaním údržby, nasadzovaním nástrojov alebo príslušenstva vždy vypnite kompresor a uvoľnite tlak zo vzduchového vedenia.

VAROVANIE

Riziko od pohyblivých dielov

ČO SA MÔŽE STAŤ

Keď je tlakový spínač v zapnutej zapnutej/automatickej polohe, kompresor automaticky cykluje. Ak sa pokúsite vykonať opravu alebo údržbu, keď je kompresor v činnosti alebo zapnutý, môžete sa vystaviť pohyblivým dielom. Tieto pohyblivé diely môžu spôsobiť vážne poranenie.

AKO TOMU PREDÍŠŤ

- Pred vykonaním opráv alebo údržby vždy odpojte kompresor, uvoľnite tlak vzduchu zo zásobníka a odpojte všetky prídavné zariadenia.
- Nikdy nepracujte s kompresorom s poškodenými chráničmi alebo krytmi alebo bez nich.
- Svojimi vlasmi, odevom prípadne rukavicami sa nepribližujte k pohyblivým častiam. Voľný odev, šperky alebo dlhé vlasy sa môžu zachytiť do pohyblivých dielov.
- Vyhýbajte sa aj vetracím otvorom, lebo môžu zakrývať pohyblivé diely.



SCFM: Štandardných kubických stôp za minútu. Merná jednotka prívodu vzduchu.

PSIG: Libier na plochu štvorcového palca. Merná jednotka tlaku.

ZAPÍNACÍ TLAK: Keď je motor vypnutý, a ďalej používate príslušenstvo alebo vzduchový nástroj, tlak vo vzduchovom zásobníku klesá. Keď tlak v zásobníku klesne na určitú úroveň, motor sa automaticky znova spustí. Toto sa nazýva „ZAPÍNACÍ TLAK“.

VYPÍNACÍ TLAK: Keď zapnete vzduchový kompresor, tento sa spustí a vo vzduchovom zásobníku začne narastať tlak vzduchu. Narastie na určitý tlak a potom sa motor automaticky vypne - chráni tak vzduchový zásobník pred tlakom vyšším, ako je jeho navrhnutá menovitá hodnota. Tlak, pri ktorom sa motor vypne, sa nazýva „vypínací tlak“.

PRACOVNÝ CYKLUS

Pre všetky vzduchové kompresory Makita sa odporúča používať v maximálnom pracovnom cykle 50 %. To znamená, že vzduchový kompresor, ktorý pumpuje vzduch viac ako 50 % jednej hodiny sa považuje za nesprávne použitie, lebo vzduchový kompresor je poddimenzovaný pre požadovaný odber vzduchu.

VŠEOBECNÉ INFORMÁCIE

Tento vzduchový kompresor je vybavený samomastiacim čerpadlom, ktoré je určené pre trvanlivú prevádzku bez údržby.

Kompresor je možné používať pre správne nadimenzované pneumatické klincové zbižáčky a zošivačky. Pre tieto aplikácie sa dodáva regulátor tlaku vzduchu.

UPOZORNENIE:

Nikdy kompresor nepoužívajte pre aplikácie iné, než je prevádzka správne nadimenzovanej klincovej zbižáčky alebo zošivačky. Používanie kompresora na iné aplikácie môže mať za následok poškodenie zariadenia alebo poranenie osôb.

Kde je to možné, používajte samostatné vzduchové transformátory, ktoré kombinujú funkcie regulácie vzduchu a/alebo odstraňovanie vlhkosti a nečistôt.

KONTROLA PRI DODANÍ

POŠKODENIE: Pred dodaním sa vybavenie každého vzduchového kompresora dôkladne testuje a kontroluje. Pri nesprávnom zaobchádzaní pri preprave môže dôjsť k poškodeniu a k problémom s prevádzkou kompresora.

Ihneď po prijatí skontrolujte, či zariadenie neobsahuje skryté alebo viditeľné poškodenia, predídete tak nákladom spôsobeným opravou takýchto problémov. To je potrebné vykonať bez ohľadu na akékoľvek viditeľné prejavy poškodenia na prepravnom obale. Ak bol tento produkt dodaný priamo vám, okamžite ohláste akékoľvek poškodenia na držiaku a dojednáte kontrolu výrobu.

SKLADOVANIE

Pred uskladnením vzduchového kompresora vždy vykonajte nasledujúce úkony:

UPOZORNENIE

Riziko popálenia

UPOZORNENIE

Prenosný kompresor neprevádzkujte s otvorenými dvierkami alebo krytmi!



UPOZORNENIE

Kohútik neatvárajte pokiaľ je pripojená vzduchová hadica!



ČO SA MÔŽE STAŤ

Pri kontakte s horúcimi dielmi, napríklad hlavou kompresora alebo výstupnými rúrkami by mohlo dôjsť k vážnemu popáleniu pokožky.

AKO TOMU PREDÍŠŤ

- Počas činnosti kompresora alebo krátko po nej sa nikdy nedotýkajte horúcich komponentov kompresora. Nesiahajte do blízkosti ochranných plášťov ani nevykonávajte údržbu, kým dostatočne nevychladne.
- Manipulácia a zdvíhanie: rúkovať držte iba pri premiestňovaní alebo počas prepravy kompresora.
- Aby ste zabránili poraneniám, nedotýkajte sa valca, hlavy valca, alebo výfukovej hadice a ďalších prehriatych súčastí počas doby, kedy je kompresor v prevádzke alebo do jednej hodiny po jeho vypnutí.

UPOZORNENIE

Preprava

- a Maximálny sklon počas ťahania je aspoň 30°.
- b Na ťahanie nepoužívajte vozidlá.
- c Kompresor neumiestňujte v rámci horľavých, výbušných alebo erozívnych prostredí.

GLOSÁR

CFM: Kubických stôp za minútu.

1. Pozrite časti „Údržba“ a „Pracovné postupy“ a podľa potreby vykonajte údržbu. Vždy vypustite vodu zo vzduchového zásobníka.
2. Chráňte elektrický kábel a vzduchovú hadicu pred poškodením (napríklad stúpenie alebo prejazd cez ne).

Vzduchový kompresor skladujte na čistom a suchom mieste.

POPIS ČINNOSTI

VYPÚŠŤACÍ VENTIL: Vypúšťací ventil sa nachádza v spodnej časti vzduchového zásobníka a používa sa na vypúšťanie kondenzácie na konci každého použitia.

TEPELNÝ PRERUŠOVAČ:

Elektrický motor má tepelný prerušovač s manuálnym resetovaním. Ak sa motor z nejakého dôvodu prehreje, prerušovač ho vypne. Predtým, ako stlačíte tlačidlo nulovania a znova spustíte kompresor, otočte tlakový spínač do polohy „off“ a počkajte, kým jednotka vychladne.

PROTEKTOR TEPELNÉHO PREHRIATIA MOTORA:

Keď je prekročená menovitá hodnota prúdu pre motor, tepelný protektor sa automaticky otvorí a vypne motor. Pred opätovným naštartovaním je potrebné motor nechať vychladnúť. Kompresor sa po vychladnutí motora automaticky opätovne naštartuje.

SPÍNAČ ON/AUTO - OFF:

Pri prepnutí tohto spínača do polohy „on“ zabezpečíte automatické napájanie tlakového spínača a pri polohe „off“ vypnete napájanie po skončení práce s kompresorom alebo keď nechávate kompresor bez dozoru.

FILTER PRÍVODU VZDUCHU:

Tento filter je určený na čistenie vzduchu vstupujúceho do čerpadla kompresora. Tento filter musí byť vždy čistý a bez prekážok. Pozrite časť „Údržba“.

ČERPADLO VZDUCHOVÉHO KOMPRESORA:

Pri stláčaní vzduchu sa piest pohybuje nahor a nadol vo valci. Pri pohybe nadol sa nasáva vzduch cez nasávací ventil vzduchu. Výfukový ventil zostáva zatvorený. Pri pohybe piestu nahor sa vzduch stláča. Nasávací ventil sa zatvorí a stlačený vzduch sa vytlačí cez výfukový ventil, cez výstupnú rúrku a spätnú klapku do vzduchového zásobníka. Použiteľný vzduch nie je k dispozícii, kým kompresor nezdvihne tlak vo vzduchovom zásobníku nad tlak požadovaný na výstupe vzduchu.

SPÄTNÁ KLAPKA:

Keď je vzduchový kompresor v činnosti, spätná klapka je „otvorená“ a umožňuje vstup stlačenému vzduchu do vzduchového zásobníka. Keď vzduchový kompresor dosiahne „vypínací“ tlak, spätná klapka sa „zatvorí“ a umožní tak udržanie tlaku vzduchu vo vzduchovom zásobníku.

UVOLŇOVACÍ VENTIL TLAKOVÉHO SPÍNAČA:

Uvolňovací ventil tlakového spínača nachádzajúci sa na bočnej strane tlakového spínača slúži na automatické uvoľnenie stlačeného vzduchu z hlavy kompresora a výstupnej rúrky, keď vzduchový kompresor dosiahne „vypínací“ tlak.

TLAKOVÝ SPÍNAČ:

Tlakový spínač automaticky spustí motor, keď tlak vo vzduchovom zásobníku klesne na výrobné nadstavený „zapínací“ tlak. Zastaví motor, keď tlak vo vzduchovom zásobníku dosiahne výrobné nadstavený „vypínací“ tlak.

POISTNÝ VENTIL:

Ak tlakový spínač nevyhne vzduchový kompresor pri jeho nastavení „vypínacieho“ tlaku, poistný ventil zabezpečí ochranu pred vysokým tlakom „prudkým vypustením“ na svoje výrobné nastavenie tlaku, ktoré je nepatrne vyššie ako „vypínacie“ nastavenie tlakového spínača.

VÝSTUPNÝ TLAKOMER:

Výstupný tlakomer signalizuje tlak vzduchu, ktorý je k dispozícii na výstupnej strane regulátora. Tento tlak riadi regulátor a je vždy nižší alebo rovný ako tlak v zásobníku. Pozrite „Pracovné postupy“.

TLAKOMER ZÁSOBNÍKA:

Tlakomer zásobníka signalizuje tlak vzduchu v zásobníku.

REGULÁTOR:

Tlak vzduchu prichádzajúci zo vzduchového zásobníka sa ovláda otočným tlačidlom regulátora. Otáčaním tohto tlačidla v smere pohybu hodinových ručičiek sa tlak zvyšuje a proti smeru pohybu hodinových ručičiek sa znižuje. Aby nedošlo k menšiemu prispôbeniu po vykonaní zmeny v nastavení tlaku, vždy sa priblížte k požadovanému tlaku z nižšieho tlaku. Pri znižovaní z vyššieho na nižší tlak najskôr klesnite na tlak nižší ako požadovaný tlak. V závislosti od požiadaviek na vzduch konkrétneho príslušenstva môže byť potrebné upraviť regulovaný výstupný tlak vzduchu počas práce s týmto príslušenstvom.

VÝSTUP STLAČENÉHO VZDUCHU. Označenie „VT“

Pre použitie výhradne s vysokotlakovým pneumatickým nástrojom

Max. tlak výstupu 2,6 MPa (26 barov)

VÝSTUP STLAČENÉHO VZDUCHU. Označenie „RT“

Pre použitie výhradne s pneumatickým nástrojom so štandardným tlakom

Max. tlak výstupu 0,9 MPa (9 barov)

POSTUPY PRE INŠTALÁCIU A ZABEHNUTIE

UMIESTNENIE VZDUCHOVÉHO KOMPRESORA

Vzduchový kompresor umiestnite na čisté, suché a dobre vetrané miesto. Vzduchovému filtru nesmú prekážať žiadne objekty, inak by mohol dôjsť k obmedzeniu prívodu vzduchu do vzduchového kompresora. Vzduchový

kompresor je potrebné umiestniť minimálne 0,3 m od steny či iných prekážok, ktoré bránia prítoku vzduchu. Hlava a plášť vzduchového kompresora slúžia na zabezpečenie primeraného chladenia. Ak je vlhkosť vysoká, na odstránenie nadmernej vlhkosti je možné na adaptér výstupu vzduchu namontovať vzduchový filter. Pokyny na správnu montáž sú pribalené k vzduchovému filtru.

Vzduchový kompresor umiestnite na rovný povrch tak, aby stál bezpečne na gumených nožičkách.

MAZANIE

Tento vzduchový kompresor je vybavený samomastiacim čerpadlom, ktoré je určené pre trvanlivú prevádzku bez údržby.

Napájací zdroj

Kompresor používajte pri napätiach uvedených na výrobnom štítku. Povolený rozsah tolerancie musí

zostávať v intervale $\pm 5\%$. Pri používaní kompresora pri vyššom ako menovitom napätí dôjde k abnormálne vysokým otáčkam motora, čo môže spôsobiť poškodenie jednotky a zhorenie motora.

Predlžovacie káble

Aby nedošlo k poklesu napätia, výpadku napájania a prehriatiu motora, namiesto predlžovacieho kábla použite prídavnú vzduchovú hadicu. Nízke napätie môže spôsobiť poškodenie motora.

Ak je potrebné použiť predlžovací kábel:

- Používajte len schválený 3-žilový predlžovací kábel s uzemňovacou zástrčkou s 3 kolíkmi a zásuvkou s 3 štrbinami, do ktorej zapadne zástrčka na vzduchovom kompresore.
- Skontrolujte, či je predlžovací kábel v bezchybnom stave.

Pozrite MINIMÁLNE požiadavky na rozmery predlžovacieho kábla, ktoré sú uvedené v nasledujúcej tabuľke:

Menovitý ampérový rozsah (220 - 240 V)	Celková dĺžka kábla v metroch					
	10 m 25 stôp	15 m 50 stôp	20 m 75 stôp	30 m 100 stôp	50 m 150 stôp	60 m 200 stôp
0 - 5 A	1,5 mm ²	1,5 mm ²	1,5 mm ²	2,5 mm ²	4 mm ²	4 mm ²
5,1 - 8 A	1,5 mm ²	1,5 mm ²	2,5 mm ²	4 mm ²	4 mm ²	4 mm ²
8 - 12 A	2,5 mm ²	2,5 mm ²	4 mm ²	Neodporúča sa		

Rúrkové vedenie

Plastová alebo PVC rúrka nie je určená na prácu so stlačeným vzduchom. Bez ohľadu na jej vyznačený menovitý tlak môže plastová rúrka následkom tlaku vzduchu prasknúť. Používajte len kovový rúrkový vedenia na rozvod vzduchu. Ak je nevyhnutné použiť potrubie, použite rúrku rovnakej veľkosti ako výstup vzduchového zásobníka alebo väčšiu. Príliš malé rúrkové vedenie obmedzí tok vzduchu. Ak je rúrkové vedenie dlhšie ako 100 stôp, použite najbližší väčší rozmer. Podzemné vedenia zakopte pod mrazovú čiaru a nepoužívajte priehradky, kde sa môže zhromažďovať a zamrznúť kondenzát. Pred zakrytím podzemných vedení aplikujte tlak na kontrolu, či žiadne spoje na vedení neobsahujú netesnosti.

Pokyny na uzemnenie

⚠ UPOZORNENIE: Riziko úrazu elektrickým prúdom! V prípade skratu uzemnenie znižuje riziko úrazu elektrickým prúdom zabezpečením únikového vodiča pre elektrický prúd. Tento vzduchový kompresor musí byť správne uzemnený.

Tento vzduchový kompresor je vybavený káblom s uzemňovacím vodičom s príslušnou uzemňovacou zástrčkou. Táto zástrčka sa musí použiť so zásuvkou, ktorá bola nainštalovaná a uzemnená v súlade s miestnymi normami a nariadeniami. Zásuvka musí mať rovnakú konfiguráciu ako zástrčka. **NEPOUŽÍVAJTE ADAPTÉR.**

Pred každým použitím skontrolujte zástrčku a kábel. V prípade nejakých známkov poškodenia ich nepoužite.

NEBEZPEČENSTVO:

Nesprávne uzemnenie môže spôsobiť úraz elektrickým prúdom. Dodanú zástrčku neupravujte. Ak sa nehodí do dodanej zásuvky, obráťte sa na kvalifikovaného elektrikára, ktorý nainštaluje správnu zástrčku.

PRACOVNÉ POSTUPY

Kontrolný zoznam denného spúšťania

INŠTALÁCIA HADÍC

⚠ UPOZORNENIE:

Riziko nebezpečnej prevádzky. Pri inštalácii alebo odpájaní pevne uchopte hadicu do ruky, aby nedošlo k jej sľahnutiu. Strata kontroly nad uvoľnenou hadicou môže mať za následok poškodenie zariadenia alebo poranenie osôb.

1. Pred pripojením vzduchovej hadice alebo príslušenstva skontrolujte, či je páčka tlakového spínača v polohe „OFF“ a regulátor vzduchu alebo uzavierací ventil zatvorený.
2. Zapojte hadicu a príslušenstvo. Pri príliš vysokom tlaku vzduchu vzniká riziko prasknutia. Skontrolujte maximálne menovité tlaky od výrobcu pre vzduchové nástroje v príslušenstvo. Výstupný tlak regulátora nesmie nikdy prekročiť maximálny menovitý tlak.
3. Prepnite páčku spínača vzduchu do polohy „ON/AUTO“ a nechajte narásť tlak v zásobníku. Keď sa dosiahne „vypínací“ tlak, motor sa zastaví.

ÚDRŽBA

- Otvorte regulátor otočením v smere pohybu hodinových ručičiek. Nastavte regulátor na správne nastavenie tlaku. Kompresor je pripravený na použitie.
- Vzduchový kompresor vždy používajte v dobre vetranych priestoroch bez obsahu benzínových alebo rozpúšťadlových výparov. Nepoužívajte kompresor v blízkosti oblasti rozprašovania.

Keď skončíte prácu:

ODPOJENIE HADÍC

⚠ UPOZORNENIE:

Riziko nebezpečnej prevádzky. Pri inštalácii alebo odpájaní pevne uchopte hadicu do ruky, aby nedošlo k jej šľahnutiu.

Strata kontroly nad uvoľnenou hadicou môže mať za následok poškodenie zariadenia alebo poranenie osôb.

- Prepnite páčku spínača vzduchu do polohy „OFF“.
- Pomocou vzduchového nástroja alebo príslušenstva vypustite tlak v zásobníku na nulu.
- Odstáňte vzduchový nástroj alebo príslušenstvo.
- Vypustite vodu zo vzduchového zásobníka otvorením ventilu vypúšťacieho kohútika v spodnej časti zásobníka. VO VZDUCHOVOM ZÁSObNÍKU BUDE KONDENZOVAŤ VODA. AK JU NEVYPUSTÍTE, VODA SPŔSOBÍ KORÓZIU A OSLABÍ VZDUCHOVÝ ZÁSObNÍK, ČO SPŔSOBÍ RIZIKO PRASKNUTIA VZDUCHOVÉHO ZÁSObNÍKA.

Poznámka:

Ak je zapojený vypúšťací ventil, uvoľnite všetok tlak. Potom môžete tento ventil odstrániť, vyčistiť a znova namontovať.

- Po vypustení vody zatvorte vypúšťací ventil. Vzduchový kompresor môžete teraz odložiť.

⚠ UPOZORNENIE:

Vzduchový zásobník správne vysušte. Nesprávne vysušenie vzduchového zásobníka môže mať za následok koróziu a možné prasknutie zásobníka. Prasknutie zásobníka môže mať za následok poškodenie zariadenia alebo poranenie osôb. Dodatočný pokyn v rámci pôvodného varovania iba opakuje to, čo bolo povedané v hore uvedenej položke č. 9. Okrem toho neuvádza, že kompresor by mal byť vypnutý.

⚠ UPOZORNENIE:

Nikdy nepoužívajte vzduchový kompresor, ktorý nefunguje normálne.

Ak sa ždá, že vzduchový kompresor nefunguje normálne, vydáva čudné zvuky alebo vibrácie, okamžite ho prestaňte používať a požiadajte o opravu autorizované servisné centrum spoločnosti Makita.

⚠ UPOZORNENIE:

Používajte len originálne náhradné diely Makita. Náhradné diely, ktoré neboli vyrobené spoločnosťou Makita, môžu zrušiť platnosť vašej záruky a môžu zapríčiniť nefunkčnosť a spôsobiť poranenia. Originálne diely Makita sú k dispozícii u autorizovaného predajcu.

⚠ UPOZORNENIE:

JEDNOTKA AUTOMATICKY CYKLUJE, KEĎ JE ZAPNUTÉ NAPÁJANIE. PRI VYKONÁVANÍ ÚDRŽBY MÔŽETE BYŤ VYSTAVENÍ NAPÁŤOVÝM ZDROJOM, STLAČENÉMU VZDUCHU ALEBO POHYBLIVÝM DIELOM. MÔŽE DŔJSŤ K PORANENIU OSŔB. PRED VYKONANÍM AKEJKOL'VEK ÚDRŽBY ALEBO OPRAVY ODPOJTE KOMPRESOR A VYPUSTITE VŠETOK VZDUCH POD TLAKOM.

Na zaistenie efektívnej prevádzky a dlhšej životnosti jednotky vzduchového kompresora je potrebné pripraviť a dodržiavať plán pravidelnej údržby. Nasledujúci plán pravidelnej údržby je vhodný pre jednotku v bežnom pracovnom prostredí pracujúcu na dennej báze. V prípade potreby je tento plán potrebné upraviť tak, aby vyhovoval podmienkam, za ktorých sa používa váš kompresor. Tieto úpravy budú závisieť od hodín prevádzky a pracovného prostredia. Kompresorové jednotky v mimoriadne znečistenom a/alebo nehostinnom prostredí budú vyžadovať častejšie údržbové kontroly.

PLÁN PRAVIDELNEJ ÚDRŽBY

- Vypustite vodu zo vzduchového zásobníka, prípadných odlučovačov vlhkosti alebo transformátorov.
- Skontrolujte všetok nezvyčajný hluk a/alebo vibrácie.
- Manuálne skontrolujte všetky poistné ventily, či fungujú správne.

⚠ UPOZORNENIE: Riziko prasknutia.

Skontrolujte poistný ventil. Ak poistný ventil nefunguje správne, môže dôjsť k nadmernému stlačeniu vzduchového zásobníka, čoho dôsledkom môže byť prasknutie alebo výbuch s dôsledkom osobných poranení a poškodenia zariadenia.

- Skontrolujte vzduchový filter a v prípade potreby ho vymeňte.
- Skontrolujte vzduchové vedenia a spojky, či nedochádza k únikom. V prípade potreby ich opravte. Vždy po roku prevádzky alebo ak nastane problém:

- Skontrolujte stav nasávacieho a výstupného ventilu čerpadla vzduchového kompresora.
 - Skontrolujte stav späťnej klapky. Ak je poškodená alebo opotrebovaná, vymeňte ju.
6. Všetky skrutky, matice a kryty musia byť pevne utiahnuté. Pravidelne kontrolujte ich stav.

UPOZORNENIE:

Zabezpečte správne utiahnutie všetkých skrutiek, svorníkov a krytov. Ak sa uvoľnia platne alebo kryty so skrutkami, dôsledkom môžu byť osobné poranenia alebo poškodenie zariadenia.

1) RIEŠENIE PROBLÉMOV

PROBLÉM	PRÍČINA	NÁPRAVA
Nenaštartuje	Je vypálená poistka alebo je zopnutý prerušovač obvodu; Uvoľnené elektrické pripojenia; Nesprávny predlžovací kábel; Prehriaty motor	Zistite príčinu a vykonajte nápravu alebo vykonajte resetovanie; skontrolujte pripojenia vedení; max 15 m/150 stôp; použite tlačidlo na resetovanie/počkajte na vykonanie automatického resetovania
Nizky tlak	Unikanie vzduchu v poistnom ventilu Zanesený vzduchový filter Chybný jednosmerný ventil	Ventil skontrolujte manuálne: vytiahnite blok na krúžkoch. Ak tento stav aj naďalej pretrváva, ventil vymeňte; vyčistite alebo vymeňte vzduchový filter; vymeňte jednosmerný ventil.
Unikanie z poistného ventilu	Chybný tlakový spínač alebo nesprávne nastavenie	Skontrolujte správnosť nastavenia a ak problém pretrváva, vymeňte tlakový spínač

2) UPOZORNENIE!

Nesprávny spôsob prepravy a zdvíhania môže mať za následok poškodenie stroja.

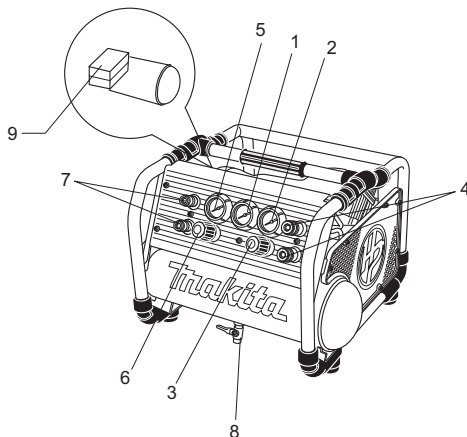
Každodenná údržba

- Pred každým použitím:
 - Dotiahnite všetky skrutky a matice.
 - Skontrolujte z pohľadu nezvyčajného hluku alebo vibrácií.
- Po každom použití:

Zo vzduchojemu vypustíte všetok vzduch. Otvorte vypúšťací kohútik v spodnej časti vzduchojemu a vypustite z nádrže kondenzát.
- Týždenná údržba:
 - Skontrolujte fungovanie poistného ventilu.
 - Skontrolujte vzduchový prepínač; navrhovaná menovitá hodnota tlaku je 2,8 Mpa.
 - Vyčistite vzduchový filter.
- Mesačná údržba:
 - Skontrolujte vzduchový systém z pohľadu unikania, a to nanosením mydlovej vody na všetky spojenia. V prípade zistenia unikania patričné spoje utiahnite.
 - Skontrolujte, či sú utiahnuté všetky skrutky a matice.
 - Vzduchový filter vymeňte za nový.
 - Očistite povrch vzduchového kompresora.
- Štvrťročná údržba:
 - Skontrolujte valec a piest z pohľadu opotrebovania.

Popis

1. Tlakoměr vzduchové nádrže
2. Tlakoměr regulovaného tlaku „HP“
3. Regulátor přívodu vzduchu „HP“
4. Rychlospojky „HP“ (výstup vzduchu)
5. Tlakoměr regulovaného tlaku „RP“
6. Regulátor přívodu vzduchu „RP“
7. Rychlospojka „RP“ (výstup vzduchu)
8. Výpustní ventil
9. Tlakový spínač



TECHNICKÉ ÚDAJE

Model	AC310H
Maximální výkon	1800 W
SCFM při 40 PSIG (l/min při 2,8 bar)	3,7 (106 l)
SCFM při 90 PSIG (l/min při 6,2 bar)	3,6 (101 l)
SCFM při 300 PSIG (l/min při 21 bar)	2,7 (77 l)
Zapínací tlak	2,3 MPa (23 bar)
Vypínací tlak	2,8 MPa (28 bar)
Vrtání x zdvih x počet	62 mm x 31 mm x 1,45 mm x 10 mm x 1
Napětí – jednofázové	220–240 V AC
Hz	50 Hz
Otáčky motoru	1420 min ⁻¹
Mazání	Bezolejové
Velikost nádrže	1,6 gal (6,2 l)
Hmotnost	36 kg (79,4 lb)
Rozměry (D x V x Š)	18-3/4" x 14-3/4" x 20" (476 x 375 x 507 mm)
Maximální výstupní tlak „HP“ (Pouze pro použití vyžadující vysoký tlak)	2,6 MPa (26 bar)
Maximální výstupní tlak „RP“ (Pouze pro použití vyžadující běžný tlak)	0,9 MPa (9 bar)
Hlučnost	L _{WA} : 90 dB

- Vzhledem k neustálému výzkumu a vývoji se mohou zde uvedené údaje bez upozornění změnit.
- Poznámka: technické údaje se mohou v jednotlivých zemích lišit.

Minimální požadavek na proud: 7 ampér

* Doporučuje se jistič. Používejte pouze pojistku nebo jistič stejné kapacity jako je okruh, ve kterém je používán vzduchový kompresor. Pokud je vzduchový kompresor připojen k okruhu chráněnému pojistkami, použijte pojistky se zpožděním.

DŮLEŽITÉ

Před používáním přístroje si přečtěte bezpečnostní informace a VŠECHNY pokyny.

Symboly

V popisu jsou použity následující symboly. Před použitím zařízení se ujistěte, že rozumíte jejich významu.



..... Přečtěte si návod k obsluze.



..... Riziko úrazu elektrinou.
Upozornění: před prováděním jakékoli práce na kompresoru musí být kompresor odpojen od napájení.



..... Riziko vysokých teplot.
Upozornění: některé části kompresoru se mohou velice zahřát.



..... Riziko nechtěného spuštění.
V případě výpadku proudu a následného obnovení by se kompresor mohl sám spustit.



..... Noste ochranné brýle.



..... **Jen pro státy EU**
Elektrické nářadí nevyhazujte do komunálního odpadu!
Podle evropské směrnice 2002/96/EG o nakládání s použitými elektronickými zařízeními a elektronickými zařízeními a odpovídajících ustanovení právních předpisů jednotlivých zemí se použitá elektrická nářadí musí sbírat odděleně od ostatního odpadu a podrobit ekologicky šetrnému recyklování.

DŮLEŽITÉ BEZPEČNOSTNÍ POKYNY

⚠ VAROVÁNÍ

PŘEČTĚTE A OSVOJTE SI VEŠKERÉ POKYNY

Nedodržení všech níže uvedených pokynů může mít za následek úraz elektrickým proudem, vznik požáru nebo vážné zranění.



TYTO POKYNY SI USCHOVEJTE.

PRACOVNÍŠTĚ

1. Zajištěte čistotu a dobré osvětlení pracoviště. Nepořádek a nedostatek světla mohou zapříčinit úraz.
2. S elektrickým nářadím nepracujte v prostředí s výbušnou atmosférou, například s výskytem hořlavých kapalin, plynů či prachu. Elektrické

nářadí vytváří jiskry, jež mohou prach nebo výpary zažehnout.

3. S elektrickým nářadím nepracujte v blízkosti dětí a přihlížejících či okolostojících osob. V důsledku rozptylování můžete nad nářadím ztratit kontrolu. Ostatní osoby na pracovišti chraňte před úlomky v podobě třísek a jisker. V případě potřeby zajistěte bariéry a štíty. Na pracoviště nikdy nesmějí vstupovat děti.
4. Odpovídající teplota prostředí je +5°C až +30°C. (maximálně 0°C až +40°C)

⚠ VAROVÁNÍ

NESPRÁVNÉ POUŽÍVÁNÍ NEBO ÚDRŽBA TOHOTO PRODUKTU MOHOU ZPŮSOBIT VÁŽNÉ ZRANĚNÍ A POŠKOZENÍ MAJETKU. PŘED POUŽÍVÁNÍM TOHOTO ZAŘÍZENÍ SI PŘEČTĚTE VŠECHNA VAROVÁNÍ A POKYNY K OBSLUZE A POROZUMĚJTE JIM.

⚠ VAROVÁNÍ

Riziko nebezpečí při postupu

CO SE MŮŽE STÁT

Nebezpečný provoz vzduchového kompresoru může vést k vážnému poranění vás nebo jiných osob.

JAK TOMU ZABRÁNIT

- Přečtěte si všechny pokyny a varování v tomto návodu a porozumějte jim.
- Seznamte se se způsobem fungování a ovládáním vzduchového kompresoru.
- V místě používání by neměly být žádné osoby, zvířata ani překážky.
- Nikdy nepouštějte děti do blízkosti vzduchového kompresoru.
- Nepoužívejte produkt, jste-li unavení nebo pod vlivem alkoholu či drog. Buďte stále pozorní.
- Nevyřazujte bezpečnostní prvky tohoto produktu.
- Vybavte provozní prostor hasícím přístrojem.
- Nepoužívejte přístroj, jestliže chybí některé díly, jsou-li díly poškozeny ani s neautorizovanými díly.

⚠ VAROVÁNÍ

Riziko prasknutí vzduchové nádrže



CO SE MŮŽE STÁT

Následující okolnosti by mohly vést k oslabení nádrže a NÁSLEDNĚ EXPLOZI NÁDRŽE, KTERÁ MŮŽE ZPŮSOBIT VÁŽNÉ PORANĚNÍ VÁM NEBO JINÝM OSOBÁM:

- neodvedení zkondenzované vody z nádrže, která způsobuje korozi a zúžení stěny nádrže;
- úpravy nebo pokusy o opravu nádrže;
- nepovolené úpravy tlakového spínače, bezpečnostního ventilu nebo jiných součástí, které ovládají tlak v nádrži.

JAK TOMU ZABRÁNIT

- Vypouštějte vzduchovou nádrž každý den nebo po každém použití. Pokud ze vzduchové nádrže uniká vzduch, okamžitě ji vyměňte za novou nebo vyměňte celý kompresor.

- Nevrtějte do vzduchové nádrže, nesvařujte ji ani ji jinak neupravujte, jinak dojde k jejímu oslabení. Nádrž může prasknout nebo explodovat. Vyměňte ji za novou vzduchovou nádrž.
- Dodržujte doporučení výrobce zařízení a nikdy nepřekračujte maximální povolený tlak připojeného příslušenství. Nikdy nepoužívejte kompresor k nafouknutí předmětů s nízkým tlakem, jako jsou dětské hračky, fotbalové nebo basketbalové míče atd.

- Hořlavé materiály uchovávejte na bezpečném místě v bezpečné vzdálenosti od kompresoru.

VAROVÁNÍ



Nebezpečí související s dýcháním

CO SE MŮŽE STÁT

- Stlačený vzduch z kompresoru není vhodný k dýchání. Vzduchový proud může obsahovat oxid uhelnatý nebo jiné výpary nebo částice z nádrže nebo jiných součástí.
- Rozstříkované materiály, jako jsou barva, rozpouštědla, ředidla, odhmyzovací prostředky, herbicidy atd. obsahují škodlivé výpary a jedy.
- Při dýchání výparů z kompresoru nebo rozstříkovaných materiálů může dojít k vážnému zranění.

JAK TOMU ZABRÁNIT

- Nikdy nevdechujte vzduch z kompresoru, a to ani přímo ani z dýchacího přístroje připojeného ke kompresoru. Pracujte v prostoru s dobrou ventilací.
- Přečtěte si bezpečnostní pokyny uvedené na štítku nebo bezpečnostním listu pro materiál, který rozstříkujete, a dodržujte tyto pokyny. Používejte schválený respirátor určený pro konkrétní použití.

VAROVÁNÍ



Riziko prasknutí připojených součástí a příslušenství

CO SE MŮŽE STÁT

Při překročení jmenovitého tlaku vzduchových nástrojů, stříkáčích pistolí, pneumatických přístrojů, pneumatik a jiných předmětů, které lze nafouknout, může dojít k explozi nebo rozlétnutí předmětu na kousky, což může způsobit vážné poranění vám a jiným osobám.

VAROVÁNÍ



Riziko úrazu elektřinou

CO SE MŮŽE STÁT

- Vzduchový kompresor je napájen elektřinou. Stejně jako ostatní elektrická zařízení, pokud není používán správně, může způsobit úraz elektřinou.
- Uzemnění: nezajištění řádného uzemnění pro tento produkt může zvýšit riziko úrazu elektřinou.

JAK TOMU ZABRÁNIT

- Veškeré elektrické vedení a opravy pro tento produkt musí být zajištěny kvalifikovaným odborníkem nebo licencovaným elektrikářem v souladu s národními nebo místními elektrickými předpisy.
- Zajistěte, aby elektrický okruh, ke kterému je kompresor připojen, poskytoval řádné uzemnění, správné napětí a odpovídající ochranu pojistkami.
- Nikdy nepoužívejte kompresor venku za deště ani v mokřem prostředí.
- Nikdy nepoužívejte kompresor, pokud jsou poškozeny nebo odstraněny ochranné kryty.

VAROVÁNÍ



Nebezpečí výbuchu nebo požáru

CO SE MŮŽE STÁT

Při každém spuštění nebo zastavení kompresoru je normální, že u elektrických kontaktů v motoru a tlakovém spínači dochází k jiskření. Nikdy nepoužívejte kompresor v atmosféře s hořlavými výpary. Mohlo by dojít k vážnému poranění vás nebo jiných osob.

JAK TOMU ZABRÁNIT

- Kompresor vždy používejte v dobře větraném prostoru bez benzinových výparů nebo výparů rozpouštědla.
- Při rozstříku hořlavých materiálů umístěte kompresor minimálně 6,1 m od místa rozstříku.

VAROVÁNÍ

Nebezpečí hluku



Nebezpečí související se stlačeným vzduchem



CO SE MŮŽE STÁT

Proud stlačeného vzduchu může způsobit poškození měkké tkáně a může vysokou rychlostí vystřelovat nečistoty, třísky, volné částice a malé předměty, čímž může dojít k poškození majetku nebo zranění osob.

JAK TOMU ZABRÁNIT

- Při používání a údržbě kompresoru vždy noste schválené bezpečnostní brýle s bočními kryty.
- Nemířte tryskou ani rozstříkovačem na žádnou část těla ani na jiné osoby nebo zvířata.
- Před prováděním údržby a připojováním nástrojů příslušenství vždy kompresor vypněte a vypusťte stlačený vzduch.

VAROVÁNÍ



Nebezpečí související s pohyblivými součástmi

CO SE MŮŽE STÁT

Je-li tlakový spínač v poloze on/auto (Zapnuto/auto), kompresor automaticky prochází pracovními cykly. Pokud se budete snažit provést opravy nebo údržbu, zatímco je kompresor zapnutý nebo zapojený, můžete se dotknout pohyblivých součástí. Tyto pohyblivé součásti mohou způsobit vážné zranění.

JAK TOMU ZABRÁNIT

- Před prováděním údržby a oprav kompresor vždy odpojte a vypusťte stlačený vzduch z nádrže a připojeného příslušenství.
- Nikdy nepoužívejte kompresor, pokud jsou poškozeny nebo odstraněny ochranné kryty.
- Udržujte vlasy, oděv a rukavice v bezpečné vzdálenosti od pohyblivých součástí. Volný oděv, šperky či dlouhé vlasy mohou být pohyblivými součástmi zachyceny.
- Ventilační otvory mohou zakrývat pohyblivé součásti, nedotýkejte se jich.

VAROVÁNÍ

Nebezpečí popálení

VAROVÁNÍ

S přenosným kompresorem nepracujte, jestliže jsou otevřena dvířka či kryty!



VAROVÁNÍ

Před připojením hadice neotevírejte kohout!



CO SE MŮŽE STÁT

Při styku s horkými díly, jako jsou hlava kompresoru nebo výstupní trubice, může dojít k vážnému popálení pokožky.

JAK TOMU ZABRÁNIT

- Nikdy se nedotýkejte součástí, zatímco je kompresor používán ani okamžitě po jeho použití. Nesahejte za ochranné kryty a neprovádějte údržbu, dokud jednotka nevychladne.
- Manipulace a zvedání: držadlo uchopte pouze při přesunu či transportu kompresoru.
- V rámci prevence zranění se u spuštěného kompresoru a hodinu po jeho vypnutí nedotýkejte válce, hlavy válce, výstupní hadice ani jiných přehřátých dílů.

VAROVÁNÍ:

Transport

- a Maximální sklon vlečení je 30 °.
- b K vlečení nepoužívejte vozidla.
- c S kompresorem nepracujte v zápalném, výbušném či erozivním prostředí.

SLOVNÍČEK

CFM: kubická stopa za minutu.

SCFM: standardní kubická stopa za minutu; jednotka pro měření přívodu vzduchu.

PSIG: počet liber na čtvereční palec; jednotka pro měření tlaku.

ZAPÍNAČÍ TLAK: používáte-li příslušenství nebo vzduchový nástroj, zatímco je motor vypnutý, tlak ve vzduchové nádrži klesá. Když tlak v nádrži klesne na určitou úroveň, motor se automaticky restartuje. Tato úroveň tlaku se nazývá „zapínač tlak“.

VYPÍNAČÍ TLAK: po zapnutí vzduchového kompresoru se ve vzduchové nádrži bude zvyšovat tlak. Roste do dosažení určitého tlaku a potom se motor automaticky

vypne – vzduchová nádrž je tak chráněna před příliš vysokým tlakem. Tlak, při kterém se motor vypne, se nazývá „vypínač tlak“.

PRACOVNÍ CYKLUS

U všech vzduchových kompresorů Makita se doporučuje využívat maximálně 50 % pracovního cyklu. To znamená, že pokud vzduchový kompresor čerpá vzduch více než 50 % jedné hodiny, dochází k nesprávnému použití, protože kompresor je pro prováděnou práci poddimenzován.

OBEČNÉ INFORMACE

Tento vzduchový kompresor je vybaven bezúdržbovým bezolejovým čerpadlem, které zajišťuje dlouhou životnost.

Kompresor lze používat s pneumatickými hřebíkováči a sponkovačkami s vhodnou kapacitou. Pro tato použití je k dispozici regulátor tlaku vzduchu.

VAROVÁNÍ:

Nikdy kompresor nepoužívejte k jinému účelu než k pohonu hřebíkováče nebo sponkovačky s vhodnou kapacitou. Při používání kompresoru k jiným účelům by mohlo dojít k poškození majetku nebo zranění osob.

Kde je to možné, měly by být použity zvláštní vzduchové výměníky, které zajišťují regulaci vzduchu a odstranění vlhkosti a nečistot.

KONTROLA PŘI DODÁNÍ

POŠKOZENÍ: každý vzduchový kompresor je před dodáním pečlivě testován a zkontrolován. Při nesprávné manipulaci může při přepravě dojít k poškození a problémům s provozem kompresoru.

Okamžitě po dodání zkontrolujte přítomnost skrytých a viditelných poškození, abyste se vyhnuli nákladům na nápravu takových problémů. Toto je nutné provést bez ohledu na to, zda jsou zjevné známky poškození na obalu. Pokud byl produkt dodán přímo vám, okamžitě oznamte poškození dopravci a zajistíte kontrolu zboží.

SKLADOVÁNÍ

Před skladováním vzduchového kompresoru proveďte toto:

1. Přečtěte si sekce „Údržba“ a „Provoz“ a v případě potřeby proveďte nutnou údržbu. Vypusťte vodu ze vzduchové nádrže.
2. Chraňte elektrický kabel a vzduchovou hadici před poškozením (například pošlapáním nebo přejížděním).

Skladujte vzduchový kompresor na čistém a suchém místě.

FUNKČNÍ POPIS

VÝPUSTNÍ VENTIL: výpustní ventil se nachází na dně vzduchové nádrže a používá se k vypuštění zkondenzované vody po každém použití.

TEPELNÝ VYPÍNAČ:

Elektrický motor má tepelný vypínač s ručním obnověním. Pokud se motor z jakéhokoli důvodu přehřeje, vypínač

vypne motor. Otočte tlakový spínač do polohy „off“ (Vypnuto) a počkejte, dokud se jednotka nezchladí. Potom stiskněte tlačítko reset a kompresor znovu spustíte.

TEPELNÁ OCHRANA PŘED PŘETÍŽENÍM MOTORU:

Dojde-li k překročení jmenovité kapacity motoru, tepelný vypínač se aktivuje a motor automaticky vypne. Před opakovaným zapnutím je nutné nechat motor vychladnout. Kompresor se automaticky zapne po motoru.

SPÍNAČ ON/AUTO – OFF (ZAPNUTO/ AUTO – VYPNUTO):

Otočením spínače do polohy „on“ (Zapnuto) aktivujete automatické napájení tlakového spínače. Po skončení práce s kompresorem, nebo pokud bude kompresor ponechán bez dozoru, můžete odpojit napájení otočením spínače do polohy „off“ (Vypnuto).

FILTR VSTUPNÍHO VZDUCHU:

Tento filtr čistí vzduch přicházející do čerpadla kompresoru. Filtr musí být vždy čistý a nesmí být blokováno. Viz část „Údržba“.

ČERPADLO VZDUCHOVÉHO KOMPRESORU:

Vzduch je stlačován pohybem pístu nahoru a dolů ve válci. Při pohybu dolů se nasává vzduch přes vstupní vzduchový ventil. Výpustní ventil je zavřený.

Při pohybu pístu nahoru se vzduch stlačuje. Vstupní ventil se zavře a stlačený vzduch je vypuštěn přes výpustní ventil, výstupní trubici a pojistný ventil do vzduchové nádrže. Vzduch není k dispozici, dokud kompresor nezvyšší tlak ve vzduchové nádrži nad úroveň požadovanou na výstupu vzduchu.

POJISTNÝ VENTIL:

Když je vzduchový kompresor používán, pojistný ventil je otevřený a umožňuje vstup stlačeného vzduchu do vzduchové nádrže. Když vzduchový kompresor dosáhne vypínacího tlaku, pojistný ventil se uzavře, aby byl ve vzduchové nádrži zachován tlak vzduchu.

VYPOUŠTĚCÍ VENTIL TLAKOVÉHO SPÍNAČE:

Vypouštěcí ventil tlakového spínače na boku spínače automaticky vypouští stlačený vzduch z hlavy kompresoru a výstupní trubice, když vzduchový kompresor dosáhne vypínacího tlaku.

TLAKOVÝ SPÍNAČ:

Tlakový spínač automaticky spouští motor, když tlak ve vzduchové nádrži klesne na úroveň zapínacího tlaku nastaveného z výroby. Také vypíná motor, když tlak ve vzduchové nádrži dosáhne úrovně vypínacího tlaku nastaveného z výroby.

BEZPEČNOSTNÍ VENTIL:

Pokud tlakový spínač nevypne vzduchový kompresor při nastaveném vypínacím tlaku, bezpečnostní ventil zajistí ochranu před příliš vysokým tlakem otevřením se při tlaku

nastaveném z výroby (ten je mírně vyšší než vypínací tlak tlakového spínače).

TLAKOMĚR VÝSTUPU:

Tlakoměr výstupu indikuje tlak vzduchu, který je k dispozici na výstupu regulátoru. Tento tlak je ovládan regulátorem a je vždy menší než nebo stejný jako tlak v nádrži. Viz část „Provoz“.

TLAKOMĚR nádrže:

Tlakoměr nádrže indikuje tlak vzduchu v nádrži.

REGULÁTOR:

Tlak vzduchu přicházejícího ze vzduchové nádrže je ovládan otočným regulátorem. Otočením regulátoru doprava tlak zvýšíte a otočením doleva tlak snížíte. Abyste se vyhnuli kolísání po nastavení tlaku, nastavujte požadovaný tlak vždy z nižšího tlaku. Při změně tlaku z vyššího na nižší nejdříve snížíte nastavení na tlak nižší než ten, který chcete použít. V závislosti na požadavcích na vzduch každého konkrétního příslušenství může být nutné upravit tlak výstupního vzduchu při používání příslušenství.

VÝSTUP STLAČENÉHO VZDUCHU; označení „HP“

Pouze pro použití s pneumatickými nástroji využívajícími vysoký tlak
Maximální výstupní tlak: 2,6 MPa (26 bar)

VÝSTUP STLAČENÉHO VZDUCHU; označení „RP“

Pro použití s pneumatickými nástroji využívajícími běžný tlak
Maximální výstupní tlak: 0,9 MPa (9 bar)

INSTALACE

UMÍSTĚNÍ VZDUCHOVÉHO KOMPRESORU

Vzduchový kompresor umístěte na čisté, suché a dobře větrané místo. Vzduchový filtr nesmí být blokováno, jinak by mohl být omezen přívod vzduchu do kompresoru. Vzduchový kompresor by měl být umístěn minimálně 0,3 m od zdi nebo jiných překážek, které zabraňují proudění vzduchu. Hlava vzduchového kompresoru a kryt jsou vyrobeny tak, aby zajistily řádné chlazení. Pokud je v prostředí vysoká vlhkost, je možné na adaptér výstupu vzduchu nainstalovat vzduchový filtr, který zachytí přílišnou vlhkost. Při instalaci vzduchového filtru postupujte podle pokynů dodaných s filtrem. Umístěte vzduchový kompresor na rovný povrch tak, aby stabilně stál na gumových nožičkách.

MAZÁNÍ

Tento vzduchový kompresor je vybaven bezúdržbovým bezolejovým čerpadlem, které zajišťuje dlouhou životnost.

Napájení

Kompresor používejte s napětím uvedeným na výrobním štítku. Maximální přípustný rozsah tolerance je $\pm 5\%$. Při používání kompresoru s napětím, které je vyšší než jmenovité napětí, se bude motor otáčet příliš rychle a může dojít k poškození jednotky a spálení motoru.

Prodlužovací kabely

Abyste zabránili kolísání napětí, výpadkům napájení a přehřátí motoru, použijte namísto prodlužovacího kabelu delší vzduchovou hadici. Nízké napětí může způsobit poškození motoru.

Pokud je použití prodlužovacího kabelu nutné:

- Používejte pouze schválený 3žilový prodlužovací kabel, který má 3konektorovou zástrčku s uzemněním a 3konektorovou zásuvku vhodnou pro zástrčku vzduchového kompresoru.
- Zkontrolujte, zda je prodlužovací kabel v dobrém stavu.

V následující tabulce jsou uvedeny MINIMÁLNÍ požadavky na prodlužovací kabely:

Rozsah jmenovitého proudu (220–240 V)	Celková délka kabelu v metrech					
	10 m 25 stop	15 m 50 stop	20 m 75 stop	30 m 100 stop	50 m 150 stop	60 m 200 stop
0–5 A	1,5 mm ²	1,5 mm ²	1,5 mm ²	2,5 mm ²	4 mm ²	4 mm ²
5,1–8 A	1,5 mm ²	1,5 mm ²	2,5 mm ²	4 mm ²	4 mm ²	4 mm ²
8–12 A	2,5 mm ²	2,5 mm ²	4 mm ²	Nedoporučuje se		

Vedení

Plastové a PVC potrubí není určeno k použití se stlačeným vzduchem. Bez ohledu na označený jmenovitý tlak může plastové potrubí kvůli tlaku vzduchu prasknout. Pro vedení vzduchu používejte jen kovové potrubí. Pokud je nutné potrubí, použijte trubku, která je stejně velká nebo větší než výstup vzduchové nádrže. Příliš malé potrubí bude omezovat proudění vzduchu. Pokud je potrubí delší než 30 metrů (100 stop), použijte o stupeň větší velikost. Podzemní vedení položte pod hranici promrznání a zamezte vytvoření volných prostorů, ve kterých by se mohla hromadit a zamrzat kondenzace. Před zakrytím podzemního vedení proveďte tlakovou zkoušku potrubí, abyste ověřili, že nedochází k úniku.

Pokyny k uzemnění

⚠ VAROVÁNÍ: riziko úrazu elektrinou! V případě zkratu snižuje uzemnění nebezpečí úrazu pomocí vodiče, kterým může odtéct elektrický proud. Tento vzduchový kompresor musí být řádně uzemněn.

Vzduchový kompresor je vybaven kabelem se zemním vodičem a zástrčkou s konektorem uzemnění. Zástrčka se musí používat se zásuvkou, která byla nainstalována a uzemněna v souladu se všemi místními zákony a předpisy. Zásuvka musí mít stejnou konfiguraci jako zástrčka. **NEPOUŽÍVEJTE ADAPTÉR.**

Před každým použitím zkontrolujte zástrčku a kabel. Pokud naleznete známky poškození, zařízení nepoužívejte.

NEBEZPEČÍ:

Nesprávné uzemnění může způsobit úraz elektrinou. Neupravujte dodanou zástrčku. Pokud ji nelze připojit k zásuvce, která je k dispozici, nechte nainstalovat správnou zásuvku kvalifikovaným elektrikářem.

PROVOZ

Denní kontrola

INSTALACE HADIC

⚠ VAROVÁNÍ:

Nebezpečí poranění při manipulaci. Při instalaci a odpojování hadice uchopte hadici pevně rukou, aby se nehýbala.

Ztráta kontroly nad hadicí by mohla mít za následek zranění osob nebo poškození majetku.

1. Před připojením vzduchové hadice nebo příslušenství se ujistěte, že je páčka tlakového spínače nastavena do polohy OFF (Vypnuto) a že je uzavřen regulátor přívodu vzduchu nebo vypínací ventil.
2. Připojte hadici a příslušenství. S příliš vysokým tlakem vzduchu souvisí riziko prasknutí. Zkontrolujte maximální jmenovitý tlak vzduchových nástrojů a příslušenství. Výstupní tlak na regulátoru nesmí nikdy překročit maximální jmenovitý tlak.
3. Otočte páčku tlakového spínače do polohy ON/AUTO (Zapnuto/auto) a nechte v nádrži narůst tlak. Motor se zastaví, jakmile tlak v nádrži dosáhne úrovně vypínacího tlaku.
4. Otevřete regulátor jeho otočením doprava. Nastavte regulátor na správný tlak. Kompresor je nyní připraven k použití.
5. Kompresor vždy používejte v dobře větraném prostoru bez benzinových výparů nebo výparů rozpouštědla. Nepoužívejte kompresor v blízkosti místa, na kterém se provádí rozstřík.

Po skončení práce:

ODPOJENÍ HADIC

⚠ VAROVÁNÍ:

Nebezpečí poranění při manipulaci. Při instalaci a odpojování hadice uchopte hadici pevně rukou, aby se nehýbala.

Ztráta kontroly nad hadicí by mohla mít za následek zranění osob nebo poškození majetku.

6. Nastavte páčku tlakového spínače do polohy OFF (Vypnuto).
7. Vypusťte tlak z nádrže na nulu pomocí vzduchového nástroje nebo příslušenství.

8. Odpojte vzduchový nástroj nebo příslušenství.
9. Vypusťte vodu ze vzduchové nádrže otevřením výpustního ventilu na dně nádrže. VE VZDUCHOVÉ NÁDRŽI BUDE KONDENZOVAT VODA. POKUD NEBUDE VYPUŠTĚNA, ZPŮSOBÍ VODA KOROZI A OSLABENÍ VZDUCHOVÉ NÁDRŽE, COŽ MŮŽE MÍT ZA NÁSLEDEK PRASKNUTÍ NÁDRŽE.

Poznámka:

Pokud je výpustní ventil zablokován, vypusťte veškerý vzduch. Ventil lze poté demontovat, vyčistit a nainstalovat zpět.

10. Po vypuštění vody zavřete výpustní ventil. Vzduchový kompresor lze nyní uskladnit.

⚠ VAROVÁNÍ:

Vzduchovou nádrž řádně vypouštějte. Nedostatečně vypuštění vzduchové nádrže může mít za následek korozi a případně i prasknutí nádrže. Při prasknutí nádrže může dojít ke zranění osob a poškození majetku. **Dodatečný pokyn v původním upozornění pouze opakuje, co je řečeno v bodě 9 výše. Také nezmiňuje, že by měl být kompresor vypnut.**

ÚDRŽBA

⚠ VAROVÁNÍ:

Nikdy nepoužívejte vzduchový kompresor, který nefunguje normálně.

Pokud se zdá, že vzduchový kompresor funguje neobvykle, vydává podivný hluk nebo vibrace, okamžitě jej přestaňte používat a zajistěte opravu v autorizovaném servisním středisku Makita.

⚠ VAROVÁNÍ:

Používejte pouze originální náhradní díly Makita. Použití náhradních dílů, které nevyrobila společnost Makita, může zrušit platnost záruky a může vést k poruše a následnému zranění. Originální díly Makita lze zakoupit u autorizovaného prodejce.

⚠ VAROVÁNÍ:

JE-LI ZAPNUTO NAPÁJENÍ, JEDNOTKA AUTOMATICKY PROCHÁZÍ PRACOVNÍMI CYKLY. PŘI PROVÁDĚNÍ ÚDRŽBY MŮŽETE BÝT VYSTAVENI ZDROJŮM NAPĚTÍ, STLAČENÉMU VZDUCHU NEBO POHYBLIVÝM SOUČÁSTEM. MŮŽE DOJÍT K ZRANĚNÍ. PŘED PROVÁDĚNÍM ÚDRŽBY NEBO OPRAV ODPOJTE KOMPRESOR A VYPUSŤTE VEŠKERÝ VZDUCH.

Kompresor v extrémně znečištěném nebo jinak náročném prostředí vyžaduje častější kontrolu.

PLÁN RUTINNÍ ÚDRŽBY

1. Vypusťte vodu ze vzduchové nádrže, odlučovačů vlhkosti a výměníků.
2. Zkontrolujte, zda nezpozorujete neobvyklý hluk nebo vibrace.
3. Ručně zkontrolujte všechny bezpečnostní ventily, abyste se ujistili, že fungují správně.

⚠ VAROVÁNÍ: nebezpečí prasknutí.

Zkontrolujte bezpečnostní ventil. Pokud bezpečnostní ventil nefunguje správně, může dojít k přílišnému zvýšení tlaku ve vzduchové nádrži a následnému prasknutí nebo výbuchu, který může způsobit zranění osob nebo poškození majetku.

4. Zkontrolujte vzduchový filtr a v případě nutnosti jej vyměňte.
5. Zkontrolujte, zda nedochází k úniku na vzduchovém vedení a spojkách; v případě potřeby je opravte. Každý rok provozu nebo v případě podezření na problém:
 - Zkontrolujte stav vstupního a výpustního ventilu čerpadla vzduchového kompresoru.
 - Zkontrolujte stav pojistného ventilu. Vyměňte jej, pokud je poškozen nebo opotřeben.
6. Udržujte všechny šrouby, matice a kryty řádně upevněné. Pravidelně kontrolujte jejich stav.

⚠ VAROVÁNÍ:

Udržujte všechny vruty, šrouby a kryty řádně upevněné. Uvolní-li se šrouby nebo kryty, může dojít k zranění osob nebo poškození majetku.

Aby byl zajištěn efektivní provoz a dlouhá životnost vzduchového kompresoru, měl by být připraven a dodržován plán rutinní údržby. Následující plán rutinní údržby je sestaven pro jednotku v normálním pracovním prostředí, která je používána každý den. V případě potřeby by plán měl být upraven, aby vyhovoval podmínkám, ve kterých je kompresor používán. Úpravy závisí na počtu hodin provozu a pracovním prostředím.

1) ODSTRAŇOVÁNÍ PROBLÉMŮ

PROBLÉM	PŘÍČINA	NÁPRAVA
Zařízení se nespustí	Je spálená pojistka nebo vypnul jistič; Došlo k přerušení elektrického připojení; Chybný prodlužovací kabel; Přehřátý motor	Zjistěte příčinu, vyměňte pojistku nebo zapněte jistič; Zkontrolujte elektrické připojení: max. 15 m, min. 14 ga; Použijte resetovací tlačítko nebo počkejte na automatické resetování
Nizký tlak	Únik vzduchu bezpečnostním ventilem Zanesený vzduchový filtr Pojistný ventil je vadný	Proveďte manuální kontrolu ventilu: potáhněte za kroužky. Jestliže stav přetrvává, ventil vyměňte; Vyčistěte nebo vyměňte vzduchový filtr; Vyměňte pojistný ventil.
Bezpečnostní ventil propouští	Vadný tlakový spínač nebo nesprávné seřízení	Zkontrolujte správné nastavení a jestliže problém přetrvává, vyměňte tlakový spínač

2) VAROVÁNÍ!

Nesprávný transport či zvedání mohou vést k poškození zařízení.

Každodenní údržba

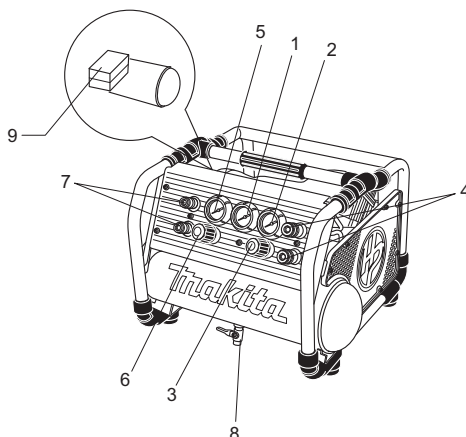
- Před každým použitím:
 - Ujistěte se, zda jsou dotaženy všechny matice a šrouby.
 - Zkontrolujte, zda nedochází k neobvyklému hluku či vibracím.
- Po každém použití:

Ze vzduchového zásobníku vypusťte všechny vzduch. Otevřete vypouštěcí kohout v dolní části vzduchového zásobníku a vypusťte z něj kondenzát.
- Týdenní údržba:
 - Zkontrolujte činnost bezpečnostního ventilu.
 - Zkontrolujte, zda je doporučený jmenovitý tlak vzduchového spínače nastaven na 2,8 Mpa.
 - Vyčistěte vzduchový filtr.
- Měsíční údržba:
 - Mýdlovou vodou nanesenou na všechny spoje zkontrolujte těsnost vzduchového systému. V případě netěsnosti příslušné spoje dotáhněte.
 - Zkontrolujte, zda jsou dotaženy všechny matice a šrouby.
 - Vyměňte vzduchový filtr za nový.
 - Očistěte povrch vzduchového kompresoru.
- Čtvrtletní údržba:
 - Zkontrolujte, zda není opotřebený válec a píst.

УКРАЇНСЬКА

Пояснення до загального вигляду

1. Манометр повітряного баку
2. Регульований манометр високого тиску ("HP")
3. Повітряний регулятор високого тиску "HP"
4. Швидкозмінні муфти високого тиску "HP" (Отвір для випуску повітря)
5. Регульований манометр нормального тиску ("RP")
6. Повітряний регулятор нормального тиску ("RP")
7. Швидкозмінна муфта нормального тиску ("RP") (Отвір для випуску повітря)
8. Зливний клапан
9. Реле тиску



СПЕЦИФІКАЦІЇ

Модель	AC310H
МАКС. вхідна потужність	1800 Вт
Стандартних куб. футів за хв. при 40 фунтів на кв. дюйм (л/хв. при 2,8 бар)	3,7 (106 л)
Стандартних куб. футів за хв. при 90 фунтів на кв. дюйм (л/хв. при 6,2 бар)	3,6 (101 л)
Стандартних куб. футів за хв. при 300 фунтів на кв. дюйм (л/хв. при 21 бар)	2,7 (77 л)
Тиск запуску	2,3 МПа (23 бар)
Тиск відключення	2,8 МПа (28 бар)
Діаметр x Такт x К-сть	62 мм x 31 мм x 1,45 мм x 10 мм x 1
Напруга - однофазний режим	220 - 240 В змінного струму
Гц	50 Гц
Двигун - обертів за хвилину	1420 хв. ⁻¹
Змащування	Без змащування
Розмір баку	1,6 галонів (6,2 л)
Вага	36 кг (79,4 фунтів)
Розміри (Д x Ш x В)	18-3/4" x 14-3/4" x 20" (476 x 375 x 507 мм)
Максимальний тиск на випуску високого тиску ("HP") (Виключно для використання з пневматичним інструментом високого тиску)	2,6 МПа (26 бар)
Максимальний тиск на випуску нормального тиску ("RP") (Виключно для використання з пневматичним інструментом нормального тиску)	0,9 МПа (9 бар)
Шум	Рівень шуму 90дБ

• Завдяки нашій постійній науково-дослідній програмі зазначені специфікації можуть бути змінені без повідомлення.

• Примітка: Специфікації можуть змінюватися в залежності від країни.

Вимоги по мініальному струму: 7 А

* Рекомендується використовувати вимикач. Використовувати лише запобіжник або вимикач, що мають однакові показники з паралельним контуром, на якому працює повітряний компресор. Якщо повітряний компресор з'єднаний з контуром, захищеним запобіжниками, використовувати запобіжники із затримкою на спрацювання.

ВАЖЛИВО

Перед використанням уважно прочитайте Інструкції з безпеки та ВСІ інструкції.

Символи

Нижче подано символи для позначення обладнання.

Перед використанням обов'язково вивчіть їх значення.



..... Прочитайте інструкції з використання.



..... Ризик удару струмом.
Обережно! Перед початком будь-якої операції на компресорі його необхідно від'єднати від живлення.



..... Ризик високої температури.
Обережно! Компресор містить деякі частини, які можуть нагріватися до високої температури.



..... Ризик випадкового запуску.
Будьте уважні, компресор може автоматично запуститися в разі переривання струму та наступного за цим включення.



..... Одягайте захисні окуляри.



..... Тільки для країн ЄС
Не викидайте електроприлади разом з побутовим сміттям!
Згідно з Європейською директивою 2202/96/ЕС про утилізацію електричного та електронного обладнання і її використанням з дотриманням національних законів, електричне обладнання, термін служби якого закінчився, повинно викидатися у окремо відведених місцях і повертатися на відповідні підприємства по їх переробці.

ВАЖЛИВІ ІНСТРУКЦІЇ З БЕЗПЕКИ

⚠ УВАГА

ПРОЧИТАЙТЕ ТА УСВІДОМТЕ ВСІ ІНСТРУКЦІЇ

Недотримання правил безпеки може призвести до ураження струмом, пожежі та серйозних травм.



ЗБЕРЕЖІТЬ ЦЮ ІНСТРУКЦІЮ.

РОБОЧА ДІЛЯНКА

1. **Робоче місце повинне бути чисте і добре освітлене.** Захаращене та темне робоче місце – причина нещасних випадків.
2. **Не використовуйте електричних приладів у вибухонебезпечній атмосфері, наприклад, при наявності легкозаймистих рідин, газів чи пилу.** Електроприлади можуть іскрити, що призведе до займання пилу чи газів.
3. **Не допускайте перехожих, дітей та відвідувачів до працюючого апарата.** Неуважність може призвести до втрати керування. Охороняйте інших осіб у робочій ділянці від таких відходів, як стружка та іскри. Якщо потрібно, забезпечте бар'єри або щити. Не допускайте дітей на робочу ділянку.
4. **Температура усередині приміщення повинна бути від +5°C до +30°C.** (максимум від 0°C до +40°C)

⚠ УВАГА

НЕВІДПОВІДНА ЕКСПЛУАТАЦІЯ АБО ТЕХНІЧНЕ ОБСЛУГОВУВАННЯ МОЖУТЬ СПРИЧИНИТИ СЕРЙОЗНІ ТРАВМИ ТА ШКОДУ ВЛАСНОСТІ. ПРОЧИТАЙТЕ ТА ВИВЧІТЬ ВСІ ПОПЕРЕДЖЕННЯ ТА ІНСТРУКЦІЇ З ЕКСПЛУАТАЦІЇ ПЕРЕД ВИКОРИСТАННЯМ ЦЬОГО ОБЛАДНАННЯ.

⚠ УВАГА

Ризик небезпечної експлуатації

МОЖЛИВІ НАСЛІДКИ

Небезпечне використання Вашого повітряного компресора може завдати Вам та оточуючим серйозних травм.

ЯК ЦЬОМУ ЗАПОБІГТИ

- Прогляньте та вивчіть всі інструкції та попередження у цій інструкції з експлуатації.
- Ознайомтеся з функціонуванням та регулюванням повітряного компресора.
- Не допускайте в зону експлуатації людей, домашніх тварин та сторонніх предметів.
- Ніколи не допускайте дітей до повітряного компресора.
- Не користуйтеся обладнанням, якщо Ви втомлені або знаходитесь під впливом алкоголю чи медичних препаратів. Завжди будьте обережні.
- Ніколи не пошкоджуйте запобіжні механізми цього обладнання.
- Обладняйте зону експлуатації вогнегасником.
- Не використовуйте обладнання з відсутніми, зламаними або неліцензованими частинами.

⚠ УВАГА

Ризик вибуху повітряного баку

МОЖЛИВІ НАСЛІДКИ

Наступні умови можуть призвести до послаблення баку та спричинити ПОТУЖНИЙ ВИБУХ БАКУ, ЩО МОЖЕ ЗАВДАТИ СЕРЙОЗНИХ ТРАВМ ВАМ ТА ОТОЧУЮЧИМ:



- Незабезпечення необхідного зливання конденсованої води з баку, що спричиняє іржавіння та потоншення стінки баку.
- Внесення змін до конструкції баку та спроби його полагодити.
- Неліцензовані зміни до перемикача тиску, запобіжного клапану чи будь-яких інших компонентів, що контролюють тиск у баку.

ЯК ЦЬОМУ ЗАПОБІГТИ

- Зливайте конденсовану воду з повітряного баку щоденно або після кожного використання. Якщо у баку з'являється протікання, негайно замініть його на новий бак, або замініть весь компресор.
- Не просвердлюйте бак, не проводьте на ньому зварювальні роботи, не вносьте змін до його конструкції будь-яким іншим чином, інакше його міцність буде послаблена. Бак може розламатися або вибухнути. Замініть його на новий повітряний бак.
- Дотримуйтеся інструкцій виробника обладнання та ніколи не перевищуйте максимально допустимі показники тиску підключеного обладнання. Ніколи не використовуйте компресор для надування невеликих предметів з низьким тиском, таких як дитячі іграшки, футбольні та баскетбольні м'ячі та ін.

УВАГА



Ризик вибуху підключеного та допоміжного обладнання

МОЖЛИВІ НАСЛІДКИ

Перевищення показників тиску повітряного обладнання, розпилювачів, допоміжного обладнання на повітряному приводі, шин ТА інших надувних предметів може призвести до їхнього вибуху або розриву, що може завдати серйозних травм Вам та оточуючим.

УВАГА



Ризик удару струмом

МОЖЛИВІ НАСЛІДКИ

- Ваш повітряний компресор живиться електричним струмом. Як будь-який інший пристрій, що працює на електричному струмі, при невідповідному використанні він може завдати удару струмом.
- Електричне заземлення: Незабезпечення відповідного заземлення цього обладнання може збільшити ризик удару електричним струмом.

ЯК ЦЬОМУ ЗАПОБІГТИ

- Будь-яке під'єднання проводів або ремонт цього обладнання повинен повинні виконуватися кваліфікованим обслуговуючим персоналом або ліцензованим електриком у відповідності до національних та місцевих норм стосовно електрики.
- Обов'язково забезпечте відповідне електричне заземлення, правильну напругу та відповідний захист за допомогою запобіжників електричного контуру, до якого під'єднано повітряний компресор.

- Ніколи не використовуйте компресор на відкритому повітрі під час дощу або у вологому місці.
- Ніколи не використовуйте компресор з пошкодженими або знятими запобіжниками або частинами корпусу.

УВАГА



Ризик вибуху або пожежі

МОЖЛИВІ НАСЛІДКИ

Для електричних контактів у двигуні та перемикачі тиску іскріння є нормальним явищем як при запуску, так і при зупинці компресора. Ніколи не використовуйте компресор в атмосфері, у якій містяться займисті випари. Це може завдати Вам та оточуючим серйозних травм.

ЯК ЦЬОМУ ЗАПОБІГТИ

- Завжди використовуйте компресор у добре провітрюваному приміщенні без випарів газоліну або розчинників.
- При розпилюванні займистих речовин, встановіть компресор щонайменше за 6,1 м від зони розпилення.
- Зберігайте займисті речовини у захищеному місці подалі від компресора.

УВАГА



Ризик вдихання

МОЖЛИВІ НАСЛІДКИ

- Стиснуте повітря з Вашого компресора небезпечно для дихання. Повітряний струмінь може містити чадний газ або інші випари, а також частинки з баку чи інші компоненти.
- Розпилювані речовини, такі як фарба, розчинники фарби, речовини для виведення фарби, інсектициди, противодоростеві речовини та ін. містять шкідливі випари та отруйні домішки.
- Вдихання випарів компресора або розпилюваних матеріалів може спричинити серйозну травму.

ЯК ЦЬОМУ ЗАПОБІГТИ

- Ніколи не вдихайте повітря з компресора, прямо чи через проміжний дихальний пристрій, приєднаний до компресора. Працюйте у приміщенні, обладнаному хорошою перехресною вентиляцією.
- Прочитайте та дотримуйтеся інструкцій з безпеки, що подаються на ярлику або листі безпеки речовини, яку Ви розпилюєте. Використовуйте затверджену модель респіратора, розроблену для використання при Вашому чітко визначеному виді роботи.

УВАГА

Ризик від шуму



Ризик від стиснутого повітря



МОЖЛИВІ НАСЛІДКИ

Струмінь стиснутого повітря може спричинити пошкодження тканин, а також може призвести до переміщення з високою швидкістю бруду, стружок, сипучих частинок та дрібних предметів, що може завдати травми або шкоди власності.

ЯК ЦЬОМУ ЗАПОБІГТИ

- Завжди носіть затверджену модель захисних окулярів із бічними щитками при використанні або технічному обслуговуванні компресора.
- Ніколи не направляйте випускний отвір або розпилювач на будь-яку частину тіла або на інших людей чи тварин.
- Завжди вимикайте компресор та випускайте тиск з повітряної магістралі перед проведенням технічного обслуговування, приєднання приладів або допоміжного обладнання.

⚠ УВАГА



Ризик від рухомих частин

МОЖЛИВІ НАСЛІДКИ

Компресор обертається автоматично при положенні перемикача тиску в позиції "включено" або "автоматично". При спробі проведення ремонту або технічного обслуговування при функціонуванні компресора, або коли він включений, Ви піддаєте себе ризику травмування рухомими частинами. Такі рухомі частини можуть спричинити серйозні травми.

ЯК ЦЬОМУ ЗАПОБІГТИ

- Завжди відключайте компресор та випускайте повітряний тиск з баку та будь-якого суміжного обладнання перед проведенням технічного обслуговування або ремонту.
- Ніколи не використовуйте компресор з пошкодженими або знятими запобіжниками або частинами корпусу.
- Тримайте Ваше волосся, одяг і рукавиці подалі від рухомих частин. Рухомі деталі можуть захопити вільний одяг, прикраси або довге волосся.
- Вентиляційні отвори можуть розміщуватися над рухомими частинами, чого також слід уникати.

⚠ УВАГА



Ризик опіку

⚠ УВАГА

Не використовуйте портативний компресор у приміщеннях із відкритими дверми або огорожено.



⚠ УВАГА

Не відкривайте запірний клапан, не підключивши спершу повітряний шланг!



МОЖЛИВІ НАСЛІДКИ

Контакт з розігрітими частинами компресора, такими як головка компресора або випускні трубки, може спричинити серйозний опік шкіри.

ЯК ЦЬОМУ ЗАПОБІГТИ

- Ніколи не доторкайтеся до розігрітих частин під час або зразу ж після використання компресора. Не торкайтеся місць біля захисного покриття, не проводьте технічне обслуговування до того, як обладнання охолоне.
- Поводження та піднімання: беріться за рукоятку тільки під час пересування або транспортування компресора.
- Щоб уникнути травмування, не торкайтеся циліндра, головки циліндра або випускного шланга та інших гарячих частин компресора під час його роботи або упродовж години після відключення.

⚠ УВАГА

Транспортування

- а Максимальний кут під час переміщення має бути не більше 30°.
- б Для переміщення не користуйтеся засобами пересування.
- с Не експлуатуйте компресор у вогнебезпечних, вибухонебезпечних та ерозійних робочих умовах.

ГЛОСАРІЙ

Куб. фут/хв.: Кубічний фут за хвилину.

Стандартний куб. фут/хв.: Стандартний кубічний фут за хвилину; одиниця вимірювання подачі повітря.

Фунт на кв. дюйм: Фунти на квадратний дюйм; одиниця виміру тиску.

ТИСК ЗАПУСКУ: Коли двигун вимкнено, тиск повітряного бака падає при продовженні використання Вами допоміжного обладнання або пристрою з повітряним приводом. Коли тиск баку падає до певного рівня, двигун знову автоматично запуститься. Тиск при повторному запуску називається "тиском запуску".

ТИСК ВІДКЛЮЧЕННЯ: Коли Ви вмикаєте Ваш повітряний компресор, і він починає працювати, тиск повітря у повітряному баку починає зростати. Він зростає до певної величини перед тим, як двигун автоматично вимикається, захищаючи повітряний бак від тиску, вищого за показники, передбачені конструкцією. Тиск, при якому двигун вимикається, називається "тиском відключення".

РОБОЧИЙ ЦИКЛ

Всі повітряні компресори, вироблені Makita, рекомендується використовувати при робочому циклі, не вищому 50%. Це означає, що, якщо повітряний компресор накачує повітря більше ніж 50% від однієї години, це вважається неправильним використанням, тому що повітряний компресор не має достатніх розмірів для потреби у повітрі, що при цьому вимагається.

ЗАГАЛЬНА ІНФОРМАЦІЯ

Цей повітряний компресор обладнаний насосом без змашчування, розроблений для довговічного використання без технічного обслуговування.

Даний компресор можна використовувати для відповідно розрахованого пневматичного цвяхозабивного та зшивного обладнання. Для такого обладнання постачається регулятор тиску повітря.

ПОПЕРЕДЖЕННЯ

Ніколи не використовуйте компресор з іншою метою, окрім для відповідно розрахованого пневматичного цвяхозабивного або зшивного обладнання. Використання даного компресора з іншим обладнанням може призвести до пошкодження власності та травмування.

Окремі повітряні перетворювачі, що поєднують у собі функції повітряного регулятора та/або усунення вологи та бруду, слід використовувати у відповідних випадках.

ОГЛЯД ПРИ ПРИЙМАННІ

ПОШКОДЖЕННЯ: Кожен повітряний компресор ретельно тестується та перевіряється перед доставкою. При невідповідному поводженні при транспортуванні та складуванні під час доставки можуть виникнути неполадки у функціонуванні компресора.

Негайно по прибуттю перевірте обладнання за предмет як прихованих, так і видимих пошкоджень з метою уникнення витрат, що можуть виникнути при виправленні таких проблем. Це необхідно зробити незалежно від того, чи присутні видимі ознаки пошкодження на контейнері. Якщо це обладнання було доставлено напряму до Вас, повідомте перевізника про будь-які пошкодження та негайно організуйте огляд товару.

ЗБЕРІГАННЯ

Перед тим, як розмістити компресор на зберігання, обов'язково зробіть наступне:

1. Перегляньте розділи "Технічне обслуговування" та "Процедура експлуатації" та проведіть необхідне технічне обслуговування. Обов'язково злийте воду з повітряного баку.
2. Убезпечте електричний кабель та повітряний рукав від пошкоджень (наприклад, при наступанні або переїжджанні).

Зберігайте повітряний компресор у чистому та сухому приміщенні.

ОПИС ФУНКЦІОНУВАННЯ

ЗЛИВНИЙ КЛАПАН: Зливний клапан розташований на дні повітряного баку та використовується для зливу конденсату після кожного використання.

ТЕРМІЧНИЙ ВИМИКАЧ:

Електродвигун обладнано термічним вимикачем із ручним повертанням. Якщо двигун перегрівся з будь-якої причини, вимикач зупинить двигун. Поверніть перемикач тиску в позицію "вимкнено" та почекайте, поки пристрій охолоне, перед тим як

натиснути кнопку перезапуску та знову увімкнути компресор.

ТЕРМІЧНИЙ ЗАПОБІЖНИК ПЕРЕВАНТАЖЕННЯ ДВИГУНА:

Якщо струм двигуна перевищить номінальне значення, спрацює термозахист, який автоматично вимкне двигун.

Перед повторним запуском двигуна дайте йому охолонути. Компресор запуститься автоматично після запуску двигуна.

ПЕРЕМИКАЧ "ВКЛЮЧЕНО"/ "АВТОМАТИЧНО" - "ВИМКНЕНО"

Поверніть перемикач у положення "включено" для подачі автоматичного живлення; у положення "виключено" для відключення живлення після закінчення використання компресора або коли компресор буде залишатися без догляду.

ФІЛЬТР ВПУСКУ ПОВІТРЯ

Цей фільтр призначений для очищення повітря, що надходить у насос компресора. Цей фільтр повинен завжди бути чистим та незагородженим сторонніми предметами. Див. "Технічне обслуговування."

НАНОС ПОВІТРЯНОГО КОМПРЕСОРА:

Для стиснення повітря поршень рухається вгору-вниз у циліндрі. При ході вниз повітря втягується через клапан впуску повітря. Випускний клапан закритий. При ході поршня вгору повітря стискається. Впускний клапан закривається, і повітря виштовхується через випускний клапан, через трубку випуску та через зворотний клапан у повітряний бак. Повітря, придатне для використання, не є наявним до того моменту, поки компресор не підніме тиск повітряного баку вище необхідного на отворі для випуску повітря.

ЗВОРОТНИЙ КЛАПАН:

Коли повітряний компресор працює, зворотний клапан відкритий, що дозволяє стиснутому повітрю надходити у повітряний бак. Коли повітряний компресор досягає тиску відключення, зворотний клапан закривається, що дозволяє тиску повітря залишатися у повітряному баку.

ПЕРЕПУСКНИЙ КЛАПАН ПЕРЕМИКАЧА ТИСКУ:

Перепускний клапан перемикача тиску, що розміщується на стороні перемикача тиску, призначено для автоматичного випуску повітря з головки компресора та з випускної трубки, коли повітряний компресор досягає тиску відключення.

ПЕРЕМИКАЧ ТИСКУ:

Перемикач тиску автоматично запускає двигун, коли тиск повітряного баку падає до фабрично встановленого рівня тиску запуску. Він зупиняє двигун, коли тиск повітряного баку досягає фабрично встановленого рівня тиску відключення.

ЗАПОБІЖНИЙ КЛАПАН:

Якщо реле тиску не вимикає повітряний компресор при рівні тиску відключення, запобіжний клапан забезпечить захист від високого тиску, спрацюваючи при фабрично встановленому рівні тиску, що є дещо вищим за налаштування тиску відключення.

МАНОМЕТР ОТВОРУ ДЛЯ ВИПУСКУ ПОВІТРЯ:

Манометр отвору для випуску повітря покаже наявний тиск повітря на випускній стороні регулятора. Тиск контролюється регулятором; він завжди нижчий або рівний тиску баку. Див. "Процедура експлуатації".

МАНОМЕТР БАКУ:

Манометр баку покаже повітряний тиск у баку.

РЕГУЛЯТОР:

Тиск повітря, що надходить і повітряного баку, контролюється ручкою регулятора. Поверніть ручку за годинниковою стрілкою для збільшення тиску; проти годинникової стрілки - для зменшення тиску. Для уникнення незначних переналаштувань після змін у налаштуваннях тиску завжди підходьте до необхідного тиску, починаючи з нижчого тиску. При зменшенні від вищого до нижчого тиску спочатку зменшіть тиск до рівня, нижчого за необхідний. В залежності від вимог до подачі повітря для кожного окремого допоміжного обладнання, регульований тиск повітря на випуску, можливо, потрібно буде налаштувати при роботі з допоміжним обладнанням.

ОТВІР ДЛЯ ВИПУСКУ СТИСНУТОГО ПОВІТРЯ;
позначка "HP" (високий тиск)
(виключно для використання з пневматичним інструментом високого тиску)
Максимальний тиск на випуску; 2,6 МПа (26 бар)

ОТВІР ДЛЯ ВИПУСКУ СТИСНУТОГО ПОВІТРЯ;
позначка "RP" (нормальний тиск)
(для використання з пневматичним інструментом нормального тиску)
Максимальний тиск на випуску; 0,9 МПа (9 бар)

ПРОЦЕДУРА УСТАНОВКИ ТА НАЛАШТУВАННЯ РОЗМІЩЕННЯ ПОВІТРЯНОГО КОМПРЕСОРА

Розмістіть повітряний компресор у чистому, сухому та добре провітрюваному приміщенні. Повітряний фільтр необхідно тримати чистим та незагородженим сторонніми предметами, які можуть зменшувати подачу повітря повітряного компресора. Повітряний компресор повинен розміщуватися щонайменше за 0,3 м від стіни або інших сторонніх предметів, що можуть вплинути на потік повітря. Головка повітряного компресора та кожух сконструйовані таким чином, щоб забезпечити відповідне охолодження. При високому рівні вологі повітряний фільтр може встановлюватися на перехіднику отвору для випуску повітря для усунення надмірної вологі. Дотримуйтеся інструкцій, що додаються до повітряного фільтру, для його правильної установки. Розмістіть повітряний компресор на плоскій поверхні, закріпленій безпечно на гумовій підставці.

ЗМАЩУВАННЯ

Цей повітряний компресор обладнаний насосом без змащування, розробленим для довговічного використання без технічного обслуговування.

Живлення

Використовуйте компресор при нарузі, зазначеній на паспортній таблиці; допустимі відхилення становлять $\pm 5\%$. Використання компресора при нарузі, вищій за номінальну, може призвести до надмірно високих обертів та може пошкодити обладнання та спричинити перегорання двигуна.

Шнури-подовжувачі

Для уникнення падіння напруги, втрати потужності та перегрівання двигуна використовуйте додатковий повітряний рукав замість шнура-подовжувача. Низька напруга може спричинити пошкодження двигуна.

Якщо шнур-подовжувач необхідно використати:

- Використовуйте лише спеціальний 3-проводний шнур з 3-вилковим штепселем та 3-отворною розеткою, до якої вставляється штепсель повітряного компресора.
- Переконайтеся у тому, що шнур-подовжувач справний.

Прогляньте, будь ласка, у поданій нижче таблиці МІНІМАЛЬНІ вимоги до шнура-подовжувача:

Діапазон у амперах (220 -240 В)	Загальна довжина шнура в метрах					
	10 м 25 футів	15 м 50 футів	20 м 75 футів	30 м 100 футів	50 м 150 футів	60 м 200 футів
0 - 5 А	1,5 мм ²	1,5 мм ²	1,5 мм ²	2,5 мм ²	4 мм ²	4 мм ²
5,1 - 8 А	1,5 мм ²	1,5 мм ²	2,5 мм ²	4 мм ²	4 мм ²	4 мм ²
8 - 12 А	2,5 мм ²	2,5 мм ²	4 мм ²	Не рекомендується		

Труби

Пластикові та ПВХ трубки не розраховані на використання зі стиснутим повітрям. Незважаючи на зазначені показники стосовно тиску, пластикова трубка може розірватися від тиску повітря. Завжди використовуйте лише металеву трубу для ліній розподілу повітря. Якщо необхідна трубка, використовуйте трубку такого самого розміру або більшу, ніж випускний отвір повітряного баку. Занадто мала трубка обмежить потік повітря. Якщо довжина трубки становить понад 100 футів, використовуйте наступний більший розмір. Проводьте підземні лінії нижче рівня промерзання, щоб уникнути повітряних кишень, де може накопичуватися та замерзати конденсат. Проводьте тиск до закопування підземних ліній, щоб переконатися у відсутності протікання повітря на місцях з'єднання труб.

Інструкції із заземлення

⚠ ПОПЕРЕДЖЕННЯ Ризик удару струмом. При короткому замиканні заземлення знижує ризик отримання удару струмом, забезпечуючи провід для відведення електричного струму. Цей повітряний компресор повинен бути відповідним чином заземлений.

Повітряний компресор обладнано шнуром із проводом заземлення з відповідним штепселем заземлення. Штепсель необхідно використовувати з штепсельною розеткою, встановленою та заземленою у відповідності до всіх місцевих нормативних вимог та положень. Штепсельна розетка повинна бути такої ж форми, як штепсель. **НЕ ВИКОРИСТОВУЙТЕ ПЕРЕХІДНИК.**

Перевіряйте штепсель та шнур перед кожним використанням. Не використовуйте їх, якщо наявні ознаки пошкодження.

ЗАГРОЗА:

Невідповідне заземлення може призвести до удару струмом. Не змінюйте штепсель, що додається. Якщо він не підходить до наявної штепсельної розетки, відповідна штепсельна розетка повинна бути встановлена кваліфікованим електриком.

ПРОЦЕДУРА ЕКСПЛУАТАЦІЇ

Пункти щоденної перевірки

УСТАНОВКА РУКАВІВ

⚠ УВАГА:

Ризик небезпечної експлуатації Міцно тримайте руків у руці при встановленні або від'єднанні, щоб уникнути удару рукавом.

Втрата контролю над шлангом може призвести до травмування та до пошкодження власності.

1. Перед закріпленням повітряного рукава або допоміжного обладнання обов'язково встановіть важіль перемикача у положення "OFF" ("вимкнено"), переконайтеся в тому, що регулятор і відсічний клапан закриті.
2. Приєднайте рукав та допоміжне обладнання. Занадто високий тиск повітря призводить до

небезпеки розриву. Перевірте фабричні показники максимального тиску для пневматичних інструментів та допоміжного обладнання. Тиск на виході регулятора ніколи не повинен перевищувати максимальні допустимі показники.

3. Поверніть важіль перемикача тиску в положення "ON/AUTO" ("включено/автоматично") та дайте збільшитися тиску. Двигун зупиниться, коли тиск баку досягне рівня тиску відключення.
4. Відкрийте регулятор, повернувши його за годинниковою стрілкою. Налаштуйте регулятор на правильний показник тиску. Ваш компресор готовий до використання.
5. Завжди використовуйте повітряний компресор у добре провітрюваному приміщенні без випарів газоліну або розчинників. Не використовуйте компресор біля зони розпилення.

По закінченню роботи:

ВІД'ЄДНАЙТЕ РУКАВА

⚠ УВАГА:

Ризик небезпечної експлуатації Міцно тримайте руків у руці при встановленні або від'єднанні, щоб уникнути удару рукавом.

Втрата контролю над шлангом може призвести до травмування та до пошкодження власності.

6. Поставте важіль перемикача тиску в положення "OFF" ("вимкнено").
7. При використанні пневматичного інструменту у якості допоміжного обладнання, випустіть тиск баку, довівши його до нуля.
8. Від'єднайте пневматичний інструмент або допоміжне обладнання.
9. Спустіть воду з повітряного баку, відкривши спускний клапан на дні баку. **ВОДА КОНДЕНСУЄТЬСЯ У ПОВІТРЯНОМУ БАКУ. ЯКЩО ЇЇ НЕ СПУСКАТИ, ВОДА СПРИЧИНИТЬ КОРОЗІЮ І ПОСЛАБИТЬ МІЦНІСТЬ ПОВІТРЯНОГО БАКУ, ПРИЗВОДЯЧИ ДО ВИНИКНЕННЯ РИЗИКУ РОЗРИВУ ПОВІТРЯНОГО БАКУ.**

Примітка:

Якщо клапан зливного крану заблоковано, випустіть весь повітряний тиск. Після цього клапан можна виїняти, почистити, після чого знову встановити.

10. Після зливу води закрийте спускний клапан. Тепер повітряний компресор готовий до зберігання.

⚠ УВАГА:

Осушіть належно повітряний бак. Недостатнє осушення повітряного баку може призвести до корозії та можливого вибуху баку. Вибух баку може призвести до травмування та пошкодження власності. Додаткова інструкція щодо безпеки тільки повторює те, що сказано у пункті 9 вище. Окрім цього, вона не вказує, що компресор повинен бути вимкнений.

ТЕХНІЧНЕ ОБСЛУГОВУВАННЯ

⚠ УВАГА:

Ніколи не використовуйте повітряний компресор з неполадками або компресор, який неправильно функціонує.

Якщо повітряний компресор працює неправильно, з підозрілим шумом або вібрацією, негайно припиніть його використання та домовтеся про ремонт із авторизованим сервісним центром компанії Makita.

⚠ УВАГА:

Використовуйте лише оригінальні запасні частини Makita. Використання запасних частин, виготовлених не компанією Makita, може анулювати гарантію, спричинити неполадки та призвести до травмування. Оригінальні запасні частини Makita можна придбати у дилера.

⚠ УВАГА:

ОБЛАДНАННЯ ФУНКЦІОНУЄ АВТОМАТИЧНО, КОЛИ ЖИВЛЕННЯ ВКЛЮЧЕНО. ПРИ ПРОВЕДЕННІ ТЕХНІЧНОГО ОБСЛУГОВУВАННЯ, ВИ МОЖЕТЕ НАРАЗИТИСЯ НА НЕБЕЗПЕКУ ВІД ДЖЕРЕЛ НАПРУГИ, СТИСНУТОГО ПОВІТРЯ АБО РУХОМИХ ЧАСТИН. ВИ МОЖЕТЕ ЗАЗНАТИ ТРАВМУВАННЯ. ПЕРЕД ПРОВЕДЕННЯМ БУДЬ-ЯКОГО ТЕХНІЧНОГО ОБСЛУГОВУВАННЯ АБО РЕМОНТУ ВІДКЛЮЧІТЬ КОМПРЕСОР ТА ВИПУСТІТЬ ВЕСЬ ПОВІТРЯНИЙ ТИСК,

Для забезпечення ефективної експлуатації та подовження терміну служби повітряного компресора необхідно підготувати та дотримуватися графіку поточного технічного обслуговування. Наступний графік поточного технічного обслуговування розрахований на обладнання у нормальному робочому середовищі, що експлуатується щоденно.

1) УСУНЕННЯ НЕСПРАВНОСТЕЙ

ПРОБЛЕМА	ПРИЧИНА	ВИПРАВЛЕННЯ
Не запускається	Згорів запобіжник або спрацював автоматичний вимикач; Ненадійні електричні з'єднання; Неправильний продовжувач; Перегрівів двигун	Перевірте причини та усуньте їх; Перевірте підключення проводів Макс. 15м, мін. 14ga; Використовуйте кнопку скидання/зачекайте на автоматичне скидання.
Низький тиск	Вихід повітря через запобіжний клапан Перекритий повітряний фільтр Несправний контрольний клапан	Перевірте клапан вручну: потягніть його вгору. Якщо несправність залишається, замініть клапан; Почистіть або замініть повітряний фільтр; Замініть контрольний клапан.
Пропускає запобіжний клапан	Несправний перемикач тиску або погана настройка	Перевірте правильність настройки та, якщо проблема залишається, замініть перемикач тиску

За необхідності графік може бути змінено у відповідності до умов експлуатації Вашого компресора. Зміни можуть залежати від режиму роботи та робочого середовища. Компресори у дуже забрудненому а/або агресивному середовищі потребують проведення більш частого технічного обслуговування.

ГРАФІК ПОТОЧНОГО ТЕХНІЧНОГО ОБСЛУГОВУВАННЯ

- Зливайте воду з повітряного баку, вологовідділювачі чи перетворювачі.
- Здійсніть перевірку на наявність незвичного шуму і/або вібрації.
- Вручну перевірте всі запобіжні клапани, щоб переконатися, що вони справні.

⚠ УВАГА: Ризик розриву.

Перевірте запобіжний клапан. Якщо запобіжний клапан працює неправильно, тоді при надлишковому тиску повітряний бак може вибухнути та спричинити травмування і пошкодження власності.

- Перевірте повітряний фільтр, замініть його у випадку необхідності.
- Перевірте повітряні магістралі та патрубки на наявність протікання, усуньте неполадки у разі їх виявлення.
Кожного року протягом експлуатації та при підозрі на неполадку.
 - Перевірте стан впускного та випускного клапанів насоса повітряного компресора.
 - Перевірте стан зворотного клапану. Замініть їх у випадку, якщо вони пошкоджені або зношені.
- Перевіряйте всі гвинти, болти та кришки на міцність кріплення. Регулярно перевіряйте їхній стан.

⚠ УВАГА:

Усі гвинти, болти та кришки повинні бути надійно затягнуті. Неналежне затягування гвинтів, болтів та кришок може призвести до травмування та пошкодження власності.

2) УВАГА!

Неправильне транспортування та піднімання може призвести до несправності апарата.

Щоденне обслуговування

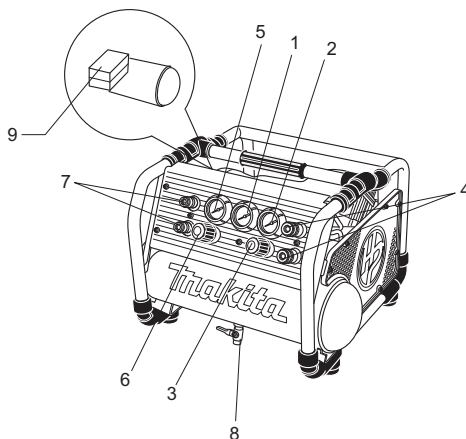
1. Перед кожним використанням:
 - A Перевірте, чи добре затягнені усі гайки та болти.
 - B Упевніться, що відсутні незвичні звуки або вібрація.
2. Після кожного використання:

Випустіть все повітря в резервуарі для зберігання повітря. Відкрийте спускний кран внизу резервуару для зберігання повітря, щоб усунути з нього конденсат.
3. Щотижневе обслуговування:
 - A Перевірте роботу запобіжного клапана.
 - B Перевірте перемикач повітря на номінальний тиск 2,8 МПа.
 - C Почистіть повітряний фільтр.
4. Щомісячне обслуговування:
 - A Перевірте повітряну систему на пропускання повітря, наносячи мильну воду на усі з'єднання. При виявленні пропускання повітря затягніть ці з'єднання.
 - B Перевірте, чи усі гайки та болти надійно затягнуті.
 - C Замініть повітряний фільтр на новий.
 - D Очистіть поверхню повітряного компресора.
5. Щоквартальне обслуговування:
 - A Перевірте циліндр та поршень на наявність зношення.

РУССКИЙ ЯЗЫК

Пояснения к общему виду

1. Манометр воздушносборника
2. Регулируемый манометр "HP"
3. Воздушный регулятор "HP"
4. Быстросменные муфты "HP"
(воздуховыпускное отверстие)
5. Регулируемый манометр "RP"
6. Воздушный регулятор "RP"
7. Быстросменная муфта "RP"
(воздуховыпускное отверстие)
8. Спускной клапан
9. Реле давления



ТЕХНИЧЕСКИЕ ХАРАКТЕРИСТИКИ

Модель	AC310N
Максимальная мощность на входе	1800 Вт
SCFM при 40 фунтов/кв.дюйм (л/мин при 2,8 бар)	3,7 (106 л)
SCFM при 90 фунтов/кв.дюйм (л/мин при 6,2 бар)	3,6 (101 л)
SCFM при 300 фунтов/кв.дюйм (л/мин при 21 бар)	2,7 (77 л)
Давление включения	2,3 МПа (23 бар)
Давление отключения	2,8 МПа (28 бар)
Отверстие x ход x количество	62 мм x 31 мм x 1,45 мм x 10 мм x 1
Напряжение -однофазное	220 - 240 В перем. тока
Гц	50 Гц
Число оборотов двигателя	1420 min ⁻¹
Смазка	не требует смазки
Размер бака	1,6 гал. (6,2 л)
Вес	36 кг (79,4 фунтов)
Размеры (Д x В x Ш)	18-3/4" x 14-3/4" x 20" (476 x 375 x 507 мм)
Максимальное давление на выходе "HP" (Исключительно для использования в пневматической системе под высоким давлением)	2,6 МПа (26 бар)
Максимальное давление на выходе "RP" (Исключительно для использования в пневматической системе под обычным давлением)	0,9 МПа (9 бар)
Шум	Измеренный уровень звуковой мощности (L _{WA}) 90дБ

- По той причине, что мы постоянно проводим работы в области исследований и разработок, приведенные в настоящем документе технические характеристики могут быть изменены без предварительного уведомления.
- Примечание: технические характеристики могут отличаться в зависимости от страны.

Минимальные схемные требования: 7 AMPS

* Предпочтительно применение автоматического выключателя. Необходимо использовать только предохранитель или автоматический выключатель с такими же характеристиками, что и параллельная цепь, на которой работает воздушный компрессор. Если воздушный компрессор подключен к цепи, защищенной предохранителями, используйте предохранители с задержкой на срабатывание.

ВАЖНО

Перед началом работы следует тщательно ознакомиться с правилами техники безопасности и ВСЕМИ инструкциями.

Символы

Ниже приведены символы, используемые для данного электроинструмента.

Перед использованием убедитесь, что вы понимаете их значение.



..... Прочитайте руководство пользователя.



..... Риск удара электрическим током.
Предупреждение: перед проведением каких-либо работ на компрессоре его необходимо отсоединить от источника питания.



..... Риск ожога вследствие высоких температур.
Предупреждение: на компрессоре имеются отдельные детали, которые в процессе эксплуатации могут сильно нагреваться.



..... Риск неконтролируемого пуска.
Внимание! Возможен автоматический запуск компрессора вследствие перебоев энергоснабжения и последующего перезапуска.



..... Одевайте защитные очки.



..... Только для стран ЕС
Не утилизируйте данное электрооборудование вместе с бытовыми отходами!
С целью соблюдения требований Европейской Директивы 2002/96/ЕС по утилизации электрического и электронного оборудования и ее применения в соответствии с национальным законодательством в конце срока службы собирайте электрооборудование отдельно и передавайте его для утилизации на предприятие, соответствующее применяемым правилам охраны окружающей среды.

ВАЖНЫЕ ИНСТРУКЦИИ ПО ТЕХНИКЕ БЕЗОПАСНОСТИ

⚠ ПРЕДОСТЕРЕЖЕНИЕ

ПРОЧИТЕ И УЯСНИТЕ ВСЕ ИНСТРУКЦИИ

Несоблюдение всех инструкций, указанных ниже, может привести к поражению электрическим током, пожару и/или серьезной травме.



СОХРАНИТЕ ДАННЫЕ ИНСТРУКЦИИ.

РАБОЧАЯ ЗОНА

1. **Поддерживайте чистоту и обеспечивайте хорошую освещенность на рабочем месте.** Захламленное и темное рабочее место способствует несчастным случаям и травмам.
2. **Не пользуйтесь электроинструментом во взрывоопасной атмосфере, например, в присутствии легко воспламеняющихся жидкостей, газов или пыли.** При работе электроинструмента возникают искры, которые могут привести к воспламенению пыли или газов.
3. **При работе с электроинструментом не допускайте детей или посторонних к месту производства работ.** Не отвлекайтесь во время работы, так как это приведет к потере контроля над электроинструментом. Примите меры к защите других лиц, находящихся в рабочей зоне, от разлетающихся частиц и искр. При необходимости установите барьеры или щиты. Запрещается допускать детей в рабочую зону.
4. **Нормальная комнатная температура от +5°C до +30°C.** (Максимальный диапазон – от 0°C до +40°C)

⚠ ПРЕДОСТЕРЕЖЕНИЕ
НЕПРАВИЛЬНЫЕ ЭКСПЛУАТАЦИЯ И ТЕХНИЧЕСКОЕ ОБСЛУЖИВАНИЕ ЭТОГО ИЗДЕЛИЯ МОГУТ ПРИВЕСТИ К СЕРЬЕЗНЫМ ТРАВМАМ И ПОВРЕЖДЕНИЯМ ОБОРУДОВАНИЯ.
ПЕРЕД ИСПОЛЬЗОВАНИЕМ ДАННОГО УСТРОЙСТВА НЕОБХОДИМО ПРОЧЕСТЬ И ПОНЯТЬ ВСЕ ПРЕДУПРЕЖДЕНИЯ И ИНСТРУКЦИИ ПО ЭКСПЛУАТАЦИИ.

⚠ ПРЕДОСТЕРЕЖЕНИЕ

Риск небезопасной эксплуатации

ВОЗМОЖНЫЕ ОПАСНОСТИ

Небезопасная эксплуатация воздушного компрессора может привести к серьезным травмам оператора или других лиц.

МЕРЫ ПРЕДОТВРАЩЕНИЯ

- Прочтите и поняте все инструкции и предупреждения данного руководства.
- Ознакомьтесь с принципами эксплуатации и управления воздушным компрессором.
- Не допускать нахождения в зоне работы устройства людей, животных и каких-либо препятствий.
- Не допускать нахождения детей вблизи воздушного компрессора.
- Не использовать данное изделие в случае усталости или воздействия алкоголя и лекарственных препаратов. Всегда быть очень внимательным.
- Никогда не отключать функции безопасности данного изделия.
- Прочтите для зоны эксплуатации наличие огнетушителя.
- Не эксплуатировать машину с недостающими, сломанными или неразрешенными деталями.

ПРЕДОСТЕРЕЖЕНИЕ



Риск взрыва воздухоборника

ВОЗМОЖНЫЕ ОПАСНОСТИ

Следующие условия могут привести к ослаблению прочности бака и К СИЛЬНОМУ ВЗРЫВУ БАКА С СЕРЬЕЗНЫМИ ТРАВМАМИ ДЛЯ ОПЕРАТОРА И ДРУГИХ ЛИЦ:

- Недостаточный отвод конденсата из бака, ведущий к появлению ржавчины и утончению стенки бака.
- Изменения конструкции или попытки ремонта бака.
- Несанкционированные изменения реле давления, предохранительного клапана или любых других элементов, регулирующих давление в баке.

МЕРЫ ПРЕДОТВРАЩЕНИЯ

- Осушайте воздухоборник ежедневно или после каждого случая применения. В случае обнаружения утечки бака следует немедленно заменить его на новый или же заменить полностью компрессор.
- Не допускать сверильных, сварочных работ и не вносить никаких иных изменений в воздухоборник, это отрицательно скажется на его прочности. Бак может разрушиться или взорваться. Заменить на новый воздухоборник.
- Следовать рекомендациям производителя и никогда не превышать максимально допустимое значение давления оснастки. Никогда не использовать компрессор для надувания небольших предметов, в которых используется низкое давление, таких как детские игрушки, футбольные мячи, баскетбольные мячи и т.п.

ПРЕДОСТЕРЕЖЕНИЕ



Риск взрыва оснастки и принадлежностей

ВОЗМОЖНЫЕ ОПАСНОСТИ

Превышение допустимого давления в пневматических инструментах, пульверизаторах, пневматических принадлежностях, шинах и других надуваемых изделиях, может привести к их взрыву или отлету в сторону и вызвать серьезные травмы оператора и других лиц.

ПРЕДОСТЕРЕЖЕНИЕ



Риск удара электрическим током

ВОЗМОЖНЫЕ ОПАСНОСТИ

- Воздушный компрессор получает питание от электросети. Как и любое другое электрическое устройство, если оно не используется правильным образом, возможен удар электрическим током.
- Электрическое заземление: отсутствие надлежащего заземления для данного изделия может увеличить риск удара электрическим током.

МЕРЫ ПРЕДОТВРАЩЕНИЯ

- Любая электропроводка или ремонт, требуемые для этого изделия, должны выполняться квалифицированным сервисным персоналом или

лицензированным электриком, в соответствии с национальными и местными электротехническими правилами и нормами.

- Необходимо убедиться, что электрическая цепь, в которую включен компрессор, обеспечивает должное электрическое заземление, правильное напряжение и достаточную защиту предохранителями.
- Не допускать эксплуатации компрессора вне помещения во время дождя или во влажной окружающей обстановке.
- Не эксплуатировать компрессор с поврежденными или снятыми защитными устройствами или крышками.

ПРЕДОСТЕРЕЖЕНИЕ



Риск взрыва или пожара

ВОЗМОЖНЫЕ ОПАСНОСТИ

Электрические контакты в двигателе или реле давления искрят при пуске или останове компрессора. Это нормально. Поэтому не следует допускать эксплуатации компрессора в присутствии огнеопасных паров в воздухе. Поскольку это может привести к серьезным травмам оператора или других лиц.

МЕРЫ ПРЕДОТВРАЩЕНИЯ

- Компрессор следует эксплуатировать всегда в хорошо проветриваемых помещениях, не содержащих паров бензина или растворителей.
- В случае разбрызгивания горячих материалов компрессор следует располагать от зоны распыления на расстоянии не менее 6,1 м.
- Горючие материалы должны храниться в защищенном месте, вдали от компрессора.

ПРЕДОСТЕРЕЖЕНИЕ



Риск при вдыхании

ВОЗМОЖНЫЕ ОПАСНОСТИ

- Сжатый воздух, используемый в компрессоре, небезопасен для дыхания. Воздушная струя может содержать угарный газ или другие пары, частицы из бака, а также другие элементы.
- Разбрызгиваемые материалы, такие как краска, растворители красок, составы для удаления краски, инсектициды, гербициды и т.д. содержат опасные пары и яды.
- Вдыхание воздуха от компрессора или распыляемых материалов может привести к серьезным травмам.

МЕРЫ ПРЕДОТВРАЩЕНИЯ

- Запрещается вдыхать воздух из компрессора, непосредственно или через дыхательное устройство, подключенное к компрессору. Работать на участке с хорошей сквозной вентиляцией.
- Прочитать и следовать инструкциям по технике безопасности, приведенным на этикетке или в паспорте безопасности для распыляемого материала.

Использовать разрешенный респиратор, предназначенный для данного случая применения.

ПРЕДОСТЕРЕЖЕНИЕ

Воздействие шума



Риск в связи со сжатым воздухом



ВОЗМОЖНЫЕ ОПАСНОСТИ

Струя сжатого воздуха может повредить мягкие ткани и может с большой скоростью сдуть с места грязь, стружку, частицы и небольшие предметы и привести к повреждению оборудования и имущества или к травмам персонала.

МЕРЫ ПРЕДОТВРАЩЕНИЯ

- При эксплуатации компрессора или проведении его технического обслуживания необходимо всегда носить защитные очки с боковыми экранами.
- Никогда не направлять насадку или распылитель на какую-либо часть тела, а также на других людей или животных.
- Перед проведением технического обслуживания, присоединением инструментов или принадлежностей необходимо всегда отключать компрессор и сбрасывать давление в воздухопроводе.

ПРЕДОСТЕРЕЖЕНИЕ

Риск в связи с подвижными деталями



ВОЗМОЖНЫЕ ОПАСНОСТИ

Если реле давления находится в положении вкл/авто, компрессор включается автоматически. При попытке ремонта или технического обслуживания работающего или включенного в сеть компрессора можно подвергнуть себя опасности, связанной с подвижными деталями устройства. Такие подвижные детали могут привести к серьезным травмам.

МЕРЫ ПРЕДОТВРАЩЕНИЯ

- Перед проведением технического обслуживания или ремонтом необходимо всегда отключать компрессор от сети и сбрасывать давление воздуха в баке и соединениях.
- Не эксплуатировать компрессор с поврежденными или снятыми защитными устройствами или крышками.
- Ваши волосы, одежда и перчатки должны всегда находиться на расстоянии от вращающихся деталей. Свободная одежда, украшения или длинные волосы могут попасть в движущиеся детали устройства.
- Под вентиляционными дефлекторами могут быть движущиеся детали, их также следует опасаться.

ПРЕДОСТЕРЕЖЕНИЕ

Риск ожога



ПРЕДОСТЕРЕЖЕНИЕ

Не эксплуатируйте переносной компрессор с открытыми крышками!



ПРЕДОСТЕРЕЖЕНИЕ

Не открывайте кран до подсоединения воздушного шланга!



ВОЗМОЖНЫЕ ОПАСНОСТИ

Контакт с горячими деталями, такими как головка компрессора или выпускные трубы, может привести к серьезным ожогам кожи.

МЕРЫ ПРЕДОТВРАЩЕНИЯ

- Следует избегать контакта с горячими деталями в процессе эксплуатации компрессора или непосредственно сразу после нее. Не касаться защитного кожуха и не пытаться проводить техническое обслуживание до охлаждения устройства.
- Погрузочно-разгрузочные и подъемные работы: при перемещении или транспортировке компрессора беритесь только за рукоятку.
- Во избежание травм не касайтесь цилиндра, головки цилиндра, выхлопной трубы и других нагретых деталей во время работы компрессора и в течение часа после его выключения.

ПРЕДОСТЕРЕЖЕНИЕ

Транспортировка

- а Максимальный угол наклона при транспортировке – не более 30°.
- б Не используйте для буксировки автомобиля.
- в Не включайте компрессор во легковоспламеняющейся, взрывоопасной или химически агрессивной среде.

ГЛОССАРИЙ

CFM: кубические футы в минуту.

SCFM: Стандартные кубические футы в минуту; устройство измерения подаваемого воздуха.

PSIG: Фунтов на квадратный дюйм манометрического давления; устройство измерения давления.

ДАВЛЕНИЕ ВКЛЮЧЕНИЯ: Пока двигатель отключен, давление в воздухохранильнике падает, если принадлежность или пневматический инструмент продолжают использовать. При падении давления в баке до определенного уровня будет выполнен автоматический повторный пуск двигателя. Давление, при котором произойдет повторное включение, называется давлением включения.

ДАВЛЕНИЕ ОТКЛЮЧЕНИЯ: Если включить компрессор, он начнет работать, давление воздуха в воздухохранильнике начнет расти. Оно будет расти до определенного значения, после чего двигатель автоматически отключится, чтобы предохранить

воздухосборник от чрезмерно высокого давления, на которое данное устройство не рассчитано. Давление, при котором двигатель отключится, называется давлением отключения.

ЦИКЛИЧЕСКАЯ НАГРУЗКА

Все компрессоры Makita рекомендуется эксплуатировать с циклической нагрузкой не более 50%. Это означает, что воздушный компрессор, который перекачивает воздуха более 50% одного часа, используется ненадлежащим образом, поскольку размер воздушного компрессора слишком мал, чтобы удовлетворить потребность в воздухе.

ИНФОРМАЦИЯ ОБЩЕГО ХАРАКТЕРА

Данный компрессор оснащен износостойким самосмазывающимся насосом, не требующим технического обслуживания.

Компрессор может использоваться для пневматических гвоздезабивных станков и стэпперов с соответствующими характеристиками. Для таких случаев применения поставляется регулятор давления воздуха.

⚠ ПРЕДОСТЕРЕЖЕНИЕ:

Не следует использовать компрессор для иных случаев применения, нежели для гвоздезабивных станков и стэпперов с соответствующими характеристиками. Использование компрессора не по назначению может привести к повреждению оборудования и имущества и к травмам персонала.

В соответствующих случаях следует использовать отдельные трансформаторы с воздушным охлаждением, которые сочетают в себе функции регулирования воздуха и/или влажности и удаления грязи.

ВХОДНОЙ КОНТРОЛЬ

ПОВРЕЖДЕНИЕ: Всё оснащение компрессора перед отправкой прошло тщательное тестирование и контроль. Возникшее во время транспортировки повреждение в связи с неправильным обращением может вызвать проблемы с эксплуатацией компрессора.

Непосредственно после доставки необходимо выполнить контроль оснащения на наличие скрытых и видимых повреждений во избежание затрат в связи с их исправлением. Это следует сделать несмотря на отсутствие видимых признаков повреждения контейнера. Если это изделие было доставлено непосредственно Вам, заявите обо всех повреждениях перевозчику и немедленно потребуйте осмотра товара.

ХРАНЕНИЕ

Перед отправкой воздушного компрессора на хранение, необходимо выполнить следующее:

1. Просмотреть разделы "Техническое обслуживание" и "Способы эксплуатации" и провести техническое обслуживание должным

образом. Убедиться, что вода из воздухосборника слита.

2. Защитить электрический шнур и воздушный шланг от повреждения (от наступания или прохождения). Хранить воздушный компрессор в чистом и сухом месте.

ОПИСАНИЕ ЭКСПЛУАТАЦИИ

СПУСКНОЙ КЛАПАН: Спускной клапан расположен на дне воздухосборника и используется для слива конденсата по окончании каждого случая применения.

ТЕПЛОВОЙ ВЫКЛЮЧАТЕЛЬ:

На электрическом двигателе имеется тепловой выключатель с возвратом в ручную. Если по какой-либо причине произошел перегрев двигателя, выключатель отключит двигатель. Поверните реле давления в положение "выкл" и подождите охлаждения устройства перед тем, как нажать на кнопку возврата и включить двигатель повторно.

УСТРОЙСТВО ЗАЩИТЫ ДВИГАТЕЛЯ ОТ ПЕРЕГРЕВА:

В случае превышения значения номинального тока двигателя устройство тепловой защиты сработает и автоматически отключит двигатель.

Перед повторным пуском двигателю необходимо дать время на охлаждение. Компрессор автоматически включится после запуска двигателя.

ПЕРЕКЛЮЧАТЕЛЬ ВКЛ/АВТО - ВЫКЛ:

Для подачи питания на реле давления необходимо установить переключатель в положение "вкл". Чтобы отключить питание по окончании использования компрессора или в случае оставления его без присмотра установить переключатель в положение "выкл".

ВОЗДУШНЫЙ ВСАСЫВАЮЩИЙ ФИЛЬТР:

Этот фильтр предназначен для очистки воздуха, поступающего в насос компрессора. Он всегда должен быть чистым и незагрязненным. См. раздел "Техническое обслуживание".

НАСОС ВОЗДУШНОГО КОМПРЕССОРА:

Для сжатия воздуха поршень движется в цилиндре вверх и вниз. При движении вниз воздух нагнетается в воздушный впускной клапан. Выпускной клапан остается закрытым.

При движении поршня вверх воздух сжимается. Впускной клапан закрывается и сжатый воздух нагнетается через выпускной клапан, выпускную трубу и обратный клапан в воздухосборник. Исползуемый воздух недоступен до тех пор, пока компрессор не поднимет давление в воздухосборнике выше значения, требуемого для воздуховыпускного отверстия).

ОБРАТНЫЙ КЛАПАН:

Когда воздушный компрессор работает, обратный клапан открыт и допускает поступление сжатого воздуха в воздухосборник. По достижению

воздушным компрессором давления отключения обратный клапан закрывается, запирая давление сжатого воздуха внутри воздухохраника.

РАЗГРУЗОЧНЫЙ КЛАПАН РЕЛЕ ДАВЛЕНИЯ:

Разгрузочный клапан реле давления расположен сбоку на реле давления. Он предназначен для автоматического выпуска сжатого воздуха из головки компрессора и выпускной трубы по достижению компрессором давления отключения.

РЕЛЕ ДАВЛЕНИЯ:

Реле давления автоматически включает двигатель, когда давление в воздухохранике падает до значения давления включения, установленного на заводе. Оно останавливает двигатель, когда давление в воздухохранике достигает значения давления отключения, установленного на заводе.

ПРЕДОХРАНИТЕЛЬНЫЙ КЛАПАН:

Если реле давления не отключает воздушный компрессор по достижению им давления отключения, предохранительный клапан защитит компрессор от высокого давления, сработав при значении давления, установленном на заводе, которое немного выше давления отключения реле давления.

МАНОМЕТР ДАВЛЕНИЯ НА ВЫХОДЕ:

Манометр давления на выходе показывает давление воздуха со стороны выпуска регулятора. Это давление контролируется регулятором и всегда меньше или равно давлению в баке. См. раздел "Способы эксплуатации".

МАНОМЕТР ДАВЛЕНИЯ В БАКЕ:

Манометр давления в баке показывает давление воздуха в баке.

РЕГУЛЯТОР:

Давление воздуха, поступающего из воздухохраника контролируется с помощью кнопки регулятора. Вращение кнопки по часовой стрелке увеличивает давление, а против часовой стрелки - уменьшает его. Чтобы избежать незначительной повторной регулировки после изменения настроек давления, всегда следует переходить к желаемому давлению от более низкого давления. При уменьшении настроек, сначала необходимо установить давление несколько меньшее, чем желаемое давление. В зависимости от потребности в воздухе для каждой принадлежности регулируемое давление воздуха на выпуске может быть отрегулировано в процессе работы с этой принадлежностью.

ВЫПУСК СЖАТОГО ВОЗДУХА; отметка "HP"

Исключительно для использования с пневматическим инструментом, работающим под высоким давлением
Максимальное давление на выходе; 2,6 МПа (26 бар)

ВЫПУСК СЖАТОГО ВОЗДУХА; отметка "RP"

Для использования с пневматическим инструментом, работающим под обычным давлением
Максимальное давление на выходе; 0,9 МПа (9 бар)

УСТАНОВКА И ВВОД В ЭКСПЛУАТАЦИЮ

РАЗМЕЩЕНИЕ ВОЗДУШНОГО КОМПРЕССОРА

Разместить воздушный компрессор в чистом и сухом месте с хорошей вентиляцией. Не допускать загрязнения воздушного фильтра, так это может сократить поступление воздуха в воздушный компрессор. Воздушный компрессор должен располагаться от стены или других препятствий на расстоянии не менее 0,3 м, так как это может мешать потоку воздуха. Конструкция головки воздушного компрессора и кожуха обеспечивает должное охлаждение. В случае слишком высокой влажности на переходнике воздуховыпускного отверстия может быть установлен воздушный фильтр для удаления излишней влаги. Для правильной установки необходимо учесть инструкции, упакованные вместе с воздушным фильтром. Воздушный компрессор следует разместить на ровной поверхности таким образом, чтобы он устойчиво располагался на резиновых ножках.

СМАЗКА

Данный компрессор оснащен износостойким самосмазывающимся насосом, не требующим технического обслуживания.

Питание

Компрессор следует эксплуатировать при напряжении, указанном на паспортной табличке, допустимое поле допуска должно оставаться в пределах $\pm 5\%$. Использование компрессора при более высоком напряжении, нежели номинальное, ведет к более высокому числу оборотов двигателя и может вызвать повреждение устройства и сжечь двигатель.

Удлинитель

Во избежание падения напряжения, потери мощности и перегрева двигателя следует использовать дополнительный воздушный шланг вместо удлинителя. Низкое напряжение может привести к повреждению двигателя.

Если необходимо использовать удлинитель:

- Использовать только разрешенный 3-проводной удлинитель, у которого имеется 3-лезвийный штекер и 3-щелевое гнездо, подходящее к штекеру на воздушном компрессоре.
- Убедиться, что удлинитель в хорошем состоянии.

В таблице внизу представлены МИНИМАЛЬНЫЕ требования к удлинителю:

Амперный номинальный диапазон (220 - 240 В)	Общая длина шнура в метрах					
	10 м 25 футов	15 м 50 футов	20 м 75 футов	30 м 100 футов	50 м 150 футов	60 м 200 футов
0 - 5 А	1,5 мм ²	1,5 мм ²	1,5 мм ²	2,5 мм ²	4 мм ²	4 мм ²
5,1 - 8 А	1,5 мм ²	1,5 мм ²	2,5 мм ²	4 мм ²	4 мм ²	4 мм ²
8 - 12 А	2,5 мм ²	2,5 мм ²	4 мм ²	Не рекомендуется		

Трубопроводы

Трубы из пластмассы или ПВХ не предназначены для сжатого воздуха. Независимо от указанного класса давления пластмассовые трубы могут не выдержать давления воздуха и взорваться. Для всех распределительных магистралей используйте только металлические трубы. Если требуется трубопровод, используйте трубу такого же или большего диаметра, что выходной патрубком воздушного резервуара. Слишком тонкие трубы будут затруднять прохождение воздуха. Если длина трубопровода превышает 100 футов, используйте больший размер. Укладывать трубы следует на глубину ниже глубины промерзания почвы, избегая пустот, в которых может скапливаться и замерзать конденсат. Подайте давление в трубы до закапывания траншеи, чтобы убедиться в герметичности всех стыков.

Указания по заземлению

⚠ ПРЕДОСТЕРЕЖЕНИЕ: Риск поражения электротоком! В случае короткого замыкания заземление снижает риск поражения током, так как ток отводится по линии заземления. Данный воздушный компрессор следует заземлить должным образом.

Воздушный компрессор оснащен кабелем с проводом заземления и соответствующей вилкой. Вилку следует подключать к розетке, установленной и заземленной в соответствии с местными нормами и постановлениями. Розетка должна иметь такую же конфигурацию, что и вилка. НЕ ПОЛЬЗУЙТЕСЬ АДАПТЕРАМИ.

Перед каждым использованием осматривайте вилку и шнур. Не используйте их, если имеются признаки повреждений.

ОПАСНОСТЬ:

Неправильное заземление может привести к поражению электротоком. Не изменяйте конструкцию вилки, входящей в комплект поставки. Если она не подходит к розетке, квалифицированный электрик должен установить соответствующую розетку.

ПРОЦЕДУРЫ ЭКСПЛУАТАЦИИ

Контрольный лист ежедневной проверки

УСТАНОВКА ШЛАНГОВ

⚠ ПРЕДОСТЕРЕЖЕНИЕ:

Риск небезопасного использования. Во время установки или отсоединения крепко удерживайте шланг.

Потеря контроля над шлангом может стать причиной несчастного случая и нанесения ущерба собственности.

1. Перед подсоединением воздушного шланга или принадлежностей убедитесь, что рычаг датчика давления установлен в положение "OFF" (Выкл.), а регулятор подачи воздуха или отсечный клапан закрыт.
2. Подсоедините шланг и принадлежности. Слишком большое давление создает риск взрыва. Проверьте максимальное рабочее давление, указанное производителем для пневматических инструментов и принадлежностей. Выходное давление в регуляторе не должно превышать максимальное рабочее давление.
3. Верните рычаг датчика давления в положение "ON/AUTO" (Вкл./Авто) и дождитесь повышения давления в резервуаре. Двигатель остановится, когда давление в резервуаре достигнет значения отсечки.
4. Откройте регулятор, повернув его по часовой стрелке. Настройте регулятор на правильное давление. Компрессор готов к работе.
5. Эксплуатировать компрессор разрешается только в хорошо проветриваемых местах, где нет паров бензина или других растворителей. Не используйте компрессор вблизи области распыления.

По окончании работы:

ОТСОЕДИНЕНИЕ ШЛАНГОВ

⚠ ПРЕДОСТЕРЕЖЕНИЕ:

Риск небезопасного использования. Во время установки или отсоединения крепко удерживайте шланг.

Потеря контроля над шлангом может стать причиной несчастного случая и нанесения ущерба собственности.

6. Установите рычаг датчика давления в положение "OFF" (Выкл.).
7. С помощью пневмоинструмента или принадлежности сравните давление до нуля.

8. Снимите пневмоинструмент или принадлежность.
9. Слейте воду из воздушного резервуара, открыв сливной кран в нижней части резервуара. В ВОЗДУШНОМ РЕЗЕРВУАРЕ КОНДЕНСИРУЕТСЯ ВОДА. ЕСЛИ ЕЕ НЕ СЛИВАТЬ, ОНА ВЫЗОВЕТ КОРРОЗИЮ ВОЗДУШНОГО РЕЗЕРВУАРА И СОЗДАСТ РИСК РАЗРУШЕНИЯ РЕЗЕРВУАРА.

Примечание:

Если сливной клапан засорился, сбросьте давление воздуха. После этого клапан можно снять, прочистить и установить на место.

10. Слив воду, закройте вентиль. Теперь компрессор можно переводить на хранение.

⚠ ПРЕДОСТЕРЕЖЕНИЕ:

Тщательно сливайте воду из воздушного резервуара. Некачественный слив воды из воздушного резервуара может привести к коррозии и возможному разрушению резервуара. Взрыв резервуара может стать причиной травмы и нанесения ущерба собственности.

Дополнительные инструкции в исходном предупреждении повторяют содержимое пункта 9 выше. Кроме того, не указывается, что компрессор должен быть выключен.

ОБСЛУЖИВАНИЕ

⚠ ПРЕДОСТЕРЕЖЕНИЕ:

Запрещается использовать воздушный компрессор, если в его работе наблюдаются отклонения от нормы.

Если компрессор работает необычно, издает непривычный шум или вибрирует, немедленно выключите его и организуйте ремонт в официальном сервисном центре Makita.

⚠ ПРЕДОСТЕРЕЖЕНИЕ:

Используйте для ремонта только оригинальные запчасти Makita. Использование запчастей других производителей может привести к аннулированию гарантии, вызвать сбой в работе и стать причиной травм. Оригинальные запчасти Makita можно приобрести у официального дилера компании.

⚠ ПРЕДОСТЕРЕЖЕНИЕ:

УСТРОЙСТВО РАБОТАЕТ АВТОМАТИЧЕСКИ В ЦИКЛИЧЕСКОМ РЕЖИМЕ ПОСЛЕ ВКЛЮЧЕНИЯ ПИТАНИЯ. ПРИ ВЫПОЛНЕНИИ ОБСЛУЖИВАНИЯ ОСТЕРЕГАЙТЕСЬ ЭЛЕКТРОТОКА, СЖАТОГО ВОЗДУХА И ПОДВИЖНЫХ ДЕТАЛЕЙ. ВОЗМОЖНО ПОЛУЧЕНИЕ ТРАВМ. ПЕРЕД НАЧАЛОМ ОБСЛУЖИВАНИЯ ИЛИ РЕМОНТА ОТСОЕДИНИТЕ КОМПРЕССОР ОТ СЕТИ И СТРАВИТЕ ДАВЛЕНИЕ.

выполнять график планового технического обслуживания. Следующий график планового технического обслуживания разработан для устройства, используемого ежедневно в нормальных условиях эксплуатации. При необходимости график следует изменить в соответствии с фактическими условиями эксплуатации. Изменения зависят от времени и условий эксплуатации. Если компрессор эксплуатируется в условиях сильно загрязненной или агрессивной среды, все операции обслуживания следует проводить чаще.

ГРАФИК ПЛАНОВОГО ТЕХНИЧЕСКОГО ОБСЛУЖИВАНИЯ

1. Слейте воду из воздушного резервуара, водоотделителей и трансформаторов.
2. Проверьте на предмет необычного шума и/или вибрации.
3. Проверьте вручную все предохранительные клапаны, чтобы убедиться в их работоспособности.

⚠ ПРЕДОСТЕРЕЖЕНИЕ: Риск взрыва.

Проверьте предохранительный клапан. Если предохранительный клапан работает неправильно, превышение давления в резервуаре может привести к разрушению или взрыву, вызвать травмы или причинить ущерб собственности.

4. Осмотрите воздушный фильтр, при необходимости замените.
5. Осмотрите все воздушные магистрали и фитинги на предмет утечек; при необходимости устраните дефекты.
Через каждый год эксплуатации или при подозрении на неисправность:
 - Проверьте состояние впускного и выпускного клапанов насоса компрессора.
 - Проверьте состояние запорного клапана. Замените клапан при наличии повреждений или износа.
6. Все винты, болты и крышки должны быть плотно затянуты. Периодически проверяйте их состояние.

⚠ ПРЕДОСТЕРЕЖЕНИЕ:

Все винты, болты и крышки должны быть плотно затянуты. Ослабленные винты или крышки могут стать причиной травмы или повреждения имущества.

Чтобы обеспечить эффективную работу и длительный срок службы компрессора, следует разработать и

1) ПОИСК И УСТРАНЕНИЕ НЕИСПРАВНОСТЕЙ

ПРОБЛЕМА	ПРИЧИНА	СПОСОБ УСТРАНЕНИЯ
Не запускается	Перегорел предохранитель или сработал размыкатель цепи; Отсутствует контакт в электрическом соединении; Неверный удлинительный кабель; Перегрев электродвигателя	Проверьте причину и замените/ перезагрузите; Проверьте подключение проводки Макс. 15 м/ 50 футов, мин. 14 га; Нажмите кнопку перезагрузки/дождитесь автоматической перезагрузки
Низкое давление	Утечка воздуха в предохранительном клапане Засорен воздушный фильтр Неисправен запорный клапан	Проверьте клапан вручную: потяните вверх за выступ на кольцах. Если неисправность сохраняется, замените клапан; Очистите или замените воздушный фильтр; Замените запорный клапан.
Выключение предохранительного клапана	Неисправно или неправильно отрегулировано реле давления	Проверьте правильность регулировки, если неисправность сохраняется, замените реле давления

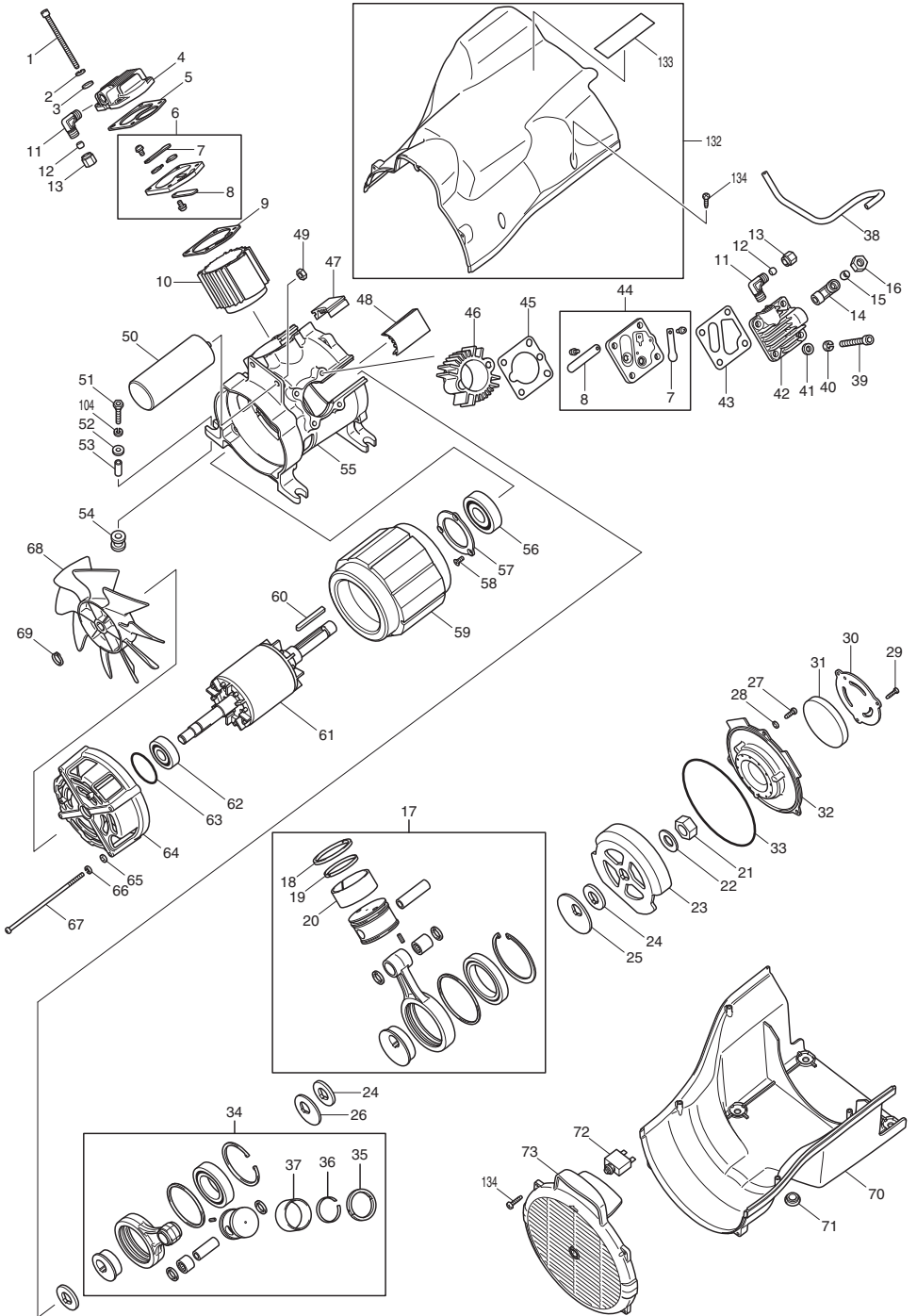
2) ВНИМАНИЕ!

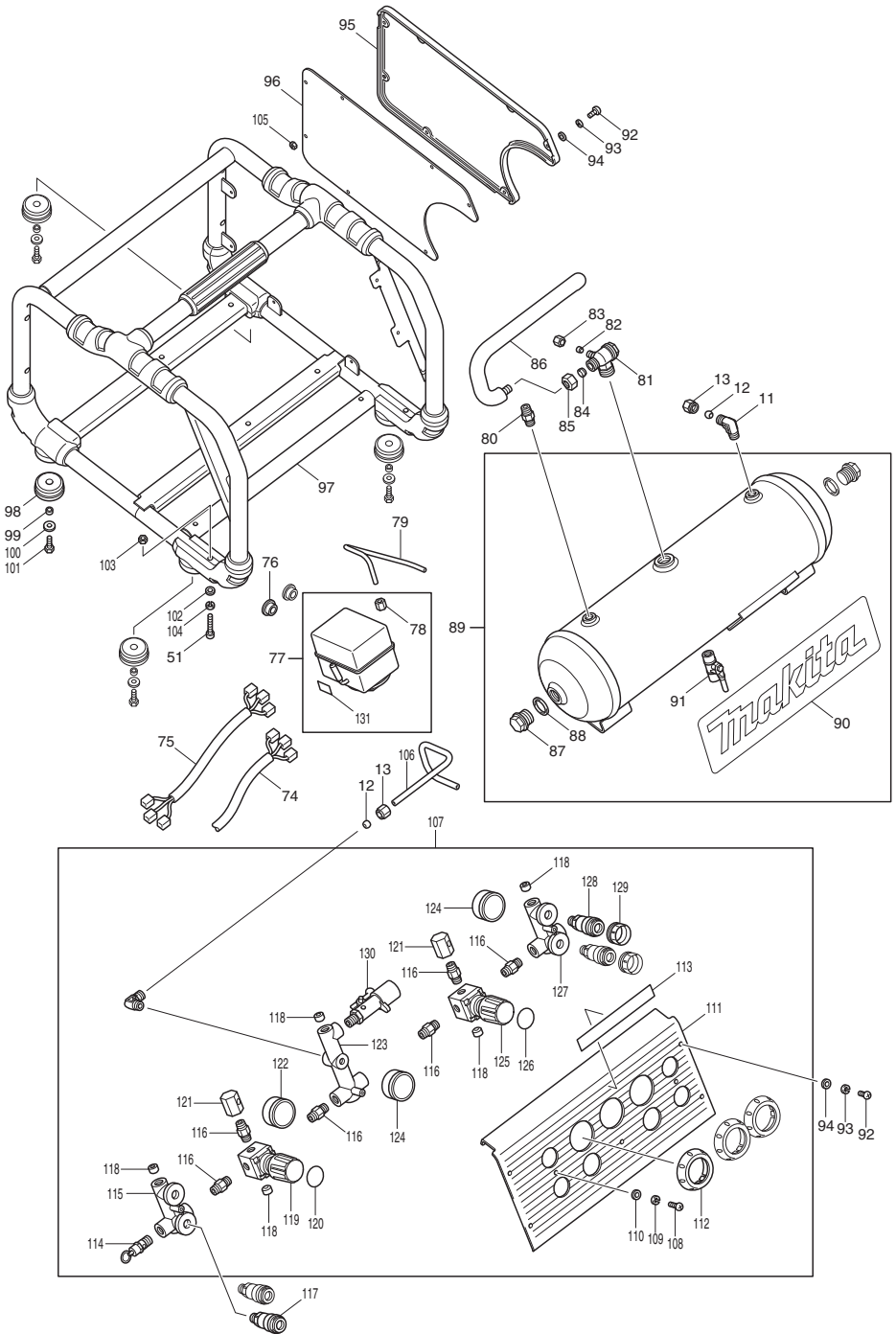
Неправильная транспортировка и перемещение устройства могут привести к его повреждению.

Ежедневное обслуживание

- Перед началом эксплуатации:
 - Убедитесь, что все гайки и болты надежно затянуты.
 - Убедитесь в отсутствии необычного шума и вибрации.
- По окончании работы:

Стравите воздух из резервуара. Откройте кран в нижней части воздушного резервуара для слива конденсата.
- Еженедельное обслуживание:
 - Проверьте работу предохранительного клапана.
 - Проверьте пневмопереключатель - номинальное значение составляет 2,8 МПа.
 - Очистите воздушный фильтр.
- Ежемесячное обслуживание:
 - Осмотрите пневмосистему на предмет утечек, нанося мыльную воду на места соединений. Затяните соединения, в которых обнаружена утечка.
 - Проверьте надежность затяжки всех гаек и болтов.
 - Замените воздушный фильтр новым.
 - Очистите поверхности компрессора.
- Ежеквартальное обслуживание:
 - Проверьте цилиндр и поршень на предмет износа.





ENGLISH

No.	Part name	QTY			
001	HEX SOCKET HEAD BOLT M6x90	4	042	CYLINDER HEAD H	1
002	SPRING WASHER 6	4	043	HEAD GASKET H	1
003	FLAT WASHER 6	4	044	VALVE PLATE H COMPLETE	1
004	CYLINDER HEAD L	1	045	CYLINDER GASKET H	1
005	HEAD GASKET L	1	046	CYLINDER H (50Hz)	1
006	VALVE PLATE L COMPLETE	1	047	STAFFING L	1
007	OUTLET VALVE	2	048	STAFFING H	1
008	INLET VALVE	2	049	HEX NUT M8	1
009	CYLINDER GASKET L	1	050	CAPACITOR RUN	1
010	CYLINDER L (50Hz)	1	051	HEX SOCKET HEAD BOLT M6x40	8
011	ELBOW 8-R1/4	4	052	FLAT WASHER 6	4
012	RING 8	4	053	SLEEVE 6	4
013	RING NUT 8	4	054	CUSHION	4
014	ELBOW 10-R3/8	1	055	CRANK CASE	1
015	RING 10	1	056	BALL BEARING 6305LLB	1
016	RING NUT 10	1	057	BEARING RETAINER	1
017	CONNECTING ROD L ASSEMBLY	1	058	COUNTERSUNK HEAD SCREW M5x12	3
018	SHEET RING L	1	059	STATOR	1
019	LEAF SPRING L	1	060	KEY 6	1
020	WEAR RING L	1	061	ROTOR	1
021	HEX NUT M18	1	062	BALL BEARING 6303LLB	1
022	CONED DISC SPRING 18	1	063	O-RING 49	1
023	BALANCER (50Hz)	1	064	REAR BRACKET	1
024	SPACER	3	065	FLAT WASSHER 5	4
025	CRANK SPACER L	1	066	SPRING WASHER 5	4
026	CRANK SPACER H	1	067	HEX BOLT M5x150	4
027	+ PAN HEAD SCREW M5x16	3	068	FAN 195	1
028	FLAT WASHER 5	3	069	RETAINING RING 14	1
029	+ TAPPING SCREW 4x18	3	070	MOTOR COVER B	1
030	FILTER COVER	1	071	BUSHING	1
031	FILTER	1	072	THERMAL CIRCUIT BREAKER	1
032	CRANK CASE COVER	1	073	MOTOR COVER C	1
033	O-RING 147	1	074	POWER SUPPLY CORD	1
034	CONNECTING ROD H ASSEMBLY	1	075	CORD	1
035	SHEET RING H	1	076	CORD CRAMP	2
036	LEAF SPRING H	1	077	SWICH ASSEMBLY	1
037	WEAR RING H	1	078	RING NUT 6	1
038	PIPE 8	1	079	PIPE 6	1
039	HEX SOCKET HEAD BOLT M8x70	4	080	BARREL NIPPLE R1/4-30	1
040	SPRING WASHER 8	4	081	CHECK VALVE	1
041	FLAT WASHER 8	4	082	RING 6	1
			083	RING NUT 6	1

084	RING 10	1
085	RING NUT 10	1
086	PIPE 10	1
087	PLUG 1/2	2
088	RUBBER SEAL 20	2
089	TANK COMPLETE	1
090	INDICATION LABEL	1
091	DRAIN SOCKET	1
092	+ PAN HEAD SCREW M5x10	11
093	SPRING WASHER 5	11
094	FLAT WASHER 5	11
095	SIDE PANEL COVER	1
096	SIDE PANEL	1
097	FLAME COMPLETE	1
098	FOOT	4
099	SLEEVE 6	4
100	FLAT WASHER 6	4
101	HEX SOCKET HEAD BOLT M6x12	4
102	FLAT WASHER 6	4
103	HEX NUT M6	8
104	SPRING WASHER 6	8
105	HEX NUT M5	2
106	PIPE 8	1
107	FRONT PANEL ASSEMBLY	1
108	+ PAN HEAD SCREW M5x16	3
109	SPRING WASHER 5	3
110	FLAT WASHER 5	3
111	FRONT PANEL	1
112	GAUGE COVER	3
113	INDICATION LABEL	1
114	SAFETY VALVE COMPLETE 10	1
115	MANIFOLD L	1
116	BARREL NIPPLE R1/4-30	6
117	QUICK COUPLER L R1/4	2
118	TAPER SCREW PLUG R1/4	5
119	REGULATOR L	1
120	INDICATION LABEL	1
121	PRESSURE GAUGE JOINT	2
122	PRESSURE GAUGE L	1
123	MANIFOLD A	1
124	PRESSURE GAUGE H	2
125	REGULATOR H	1
126	INDICATION LABEL	1

127	MANIFOLD H	1
128	QUICK COUPLER H R1/4 LEFT SCREW	2
129	RUBBER SLEEVE	2
130	SAFETY VALVE COMPLETE 30	1
131	INDICATION LABEL	1
132	MOTOR COVER A COMPLETE	1
133	CAUTION LABEL	1
134	+ TAPPING SCREW 4x18	9

FRANÇAIS

N°	Désignation	QTÉ			
001	BOULON À TÊTE CREUSE HEXAGONALE M6x90	4	040	RONDELLE ÉLASTIQUE 8	4
002	RONDELLE ÉLASTIQUE 6	4	041	RONDELLE PLATE 8	4
003	RONDELLE PLATE 6	4	042	CULASSE H	1
004	CULASSE L	1	043	JOINT DE CULASSE H	1
005	JOINT DE CULASSE L	1	044	PLAQUE PORTE-SOUPAPE H COMPLÈTE	1
006	PLAQUE PORTE-SOUPAPE L COMPLÈTE	1	045	JOINT DE CULASSE H	1
007	SOUPAPE DE REFOULEMENT	2	046	CYLINDRE H (50 Hz)	1
008	SOUPAPE D'ADMISSION	2	047	HAMPE L	1
009	JOINT DE CULASSE L	1	048	HAMPE H	1
010	CYLINDRE L (50 Hz)	1	049	ÉCROU HEXAGONAL M8	1
011	COUDE 8-R1/4	4	050	COURSE DU CONDENSATEUR	1
012	BAGUE 8	4	051	BOULON À TÊTE CREUSE HEXAGONALE M6x40	8
013	ÉCROU À ŒIL 8	4	052	RONDELLE PLATE 6	4
014	COUDE 10-R3/8	1	053	MANCHON 6	4
015	BAGUE 10	1	054	COUSSINET	4
016	ÉCROU À ŒIL 10	1	055	CARTER DE MOTEUR	1
017	ENSEMBLE L DE LA BIELLE	1	056	ROULEMENT À BILLES 6305LLB	1
018	BAGUE EN TÔLE L	1	057	SUPPORT DE RETENUE DE ROULEMENT	1
019	RESSORT À LAME L	1	058	VIS À TÊTE FRAISÉE M5x12	3
020	USURE L	1	059	STATOR	1
021	ÉCROU HEXAGONAL M18	1	060	CLAVETTE 6	1
022	RESSORT À DISQUES CONIQUE 18	1	061	ROTOR	1
023	COMPENSATEUR (50 Hz)	1	062	ROULEMENT À BILLES 6303LLB	1
024	ENTRETOISE	3	063	JOINT TORIQUE 49	1
025	ENTRETOISE DE MANIVELLE L	1	064	SUPPORT DE PALIER ARRIÈRE	1
026	ENTRETOISE DE MANIVELLE H	1	065	RONDELLE PLATE 5	4
027	+ VIS À TÊTE PLATE M5x16	3	066	RONDELLE ÉLASTIQUE 5	4
028	RONDELLE PLATE 5	3	067	BOULON HEXAGONAL M5x150	4
029	+ VIS AUTOTARAUDEUSE 4x18	3	068	VENTILATEUR 195	1
030	COUVERCLE DE FILTRE	1	069	BAGUE DE RETENUE 14	1
031	FILTRE	1	070	CAPOT DU MOTEUR B	1
032	COUVERCLE DU CARTER DE MOTEUR	1	071	DOUILLE	1
033	JOINT TORIQUE 147	1	072	DISJONCTEUR THERMIQUE	1
034	ENSEMBLE H DE LA BIELLE	1	073	CAPOT DU MOTEUR C	1
035	BAGUE EN TÔLE H	1	074	CORDON D'ALIMENTATION	1
036	RESSORT À LAME H	1	075	CORDON	1
037	USURE H	1	076	BRIDE DU CORDON	2
038	TUYAU 8	1	077	ENSEMBLE DU COMMUTATEUR	1
039	BOULON À TÊTE CREUSE HEXAGONALE M8x70	4	078	ÉCROU À ŒIL 6	1
			079	TUYAU 6	1

080	MAMELON DOUBLE R1/4-30	1
081	CLAPET ANTIRETOUR	1
082	BAGUE 6	1
083	ÉCROU À ŒIL 6	1
084	BAGUE 10	1
085	ÉCROU À ŒIL 10	1
086	TUYAU 10	1
087	BOUCHON MÂLE 1/2	2
088	JOINT EN CAOUTCHOUC 20	2
089	RÉSERVOIR COMPLET	1
090	ÉTIQUETTE D'INDICATION	1
091	DOUILLE DE PURGE	1
092	+ VIS À TÊTE PLATE M5x10	11
093	RONDELLE ÉLASTIQUE 5	11
094	RONDELLE PLATE 5	11
095	COUVERCLE DU PANNEAU LATÉRAL	1
096	PANNEAU LATÉRAL	1
097	FLAMME COMPLÈTE	1
098	PIED	4
099	MANCHON 6	4
100	RONDELLE PLATE 6	4
101	BOULON À TÊTE CREUSE HEXAGONALE M6x12	4
102	RONDELLE PLATE 6	4
103	ÉCROU HEXAGONAL M6	8
104	RONDELLE ÉLASTIQUE 6	8
105	ÉCROU HEXAGONAL M5	2
106	TUYAU 8	1
107	ENSEMBLE DU PANNEAU AVANT	1
108	+ VIS À TÊTE PLATE M5x16	3
109	RONDELLE ÉLASTIQUE 5	3
110	RONDELLE PLATE 5	3
111	PANNEAU AVANT	1
112	COUVERCLE DE JAUGE	3
113	ÉTIQUETTE D'INDICATION	1
114	SOUPAPE DE SÛRETÉ COMPLÈTE 10	1
115	COLLECTEUR L	1
116	MAMELON DOUBLE R1/4-30	6
117	RACCORD RAPIDE L R1/4	2
118	VIS D'OBTURATION DE PENTE R1/4	5
119	RÉGULATEUR L	1
120	ÉTIQUETTE D'INDICATION	1
121	JOINT DU MANOMÈTRE	2

122	MANOMÈTRE L	1
123	COLLECTEUR A	1
124	MANOMÈTRE H	2
125	RÉGULATEUR H	1
126	ÉTIQUETTE D'INDICATION	1
127	COLLECTEUR H	1
128	VIS GAUCHE DU RACCORD RAPIDE H R1/4	2
129	MANCHON EN CAOUTCHOUC	2
130	SOUPAPE DE SÛRETÉ COMPLÈTE 30	1
131	ÉTIQUETTE D'INDICATION	1
132	CAPOT DU MOTEUR A COMPLET	1
133	ÉTIQUETTE DE MISE EN GARDE	1
134	+ VIS AUTOTARAUDEUSE 4x18	9

DEUTSCH

Nr.	Teilename	ANZ.			
001	INNENSECHSKANTSCHRAUBE M6 x 90	4	042	ZYLINDERKOPF H	1
002	FEDERSCHEIBE 6	4	043	ZYLINDERKOPFDICHTUNG H	1
003	UNTERLEGSCHRAUBE 6	4	044	VENTILTeller H, KOMPLETT	1
004	ZYLINDERKOPF L	1	045	ZYLINDERDICHTUNG H	1
005	ZYLINDERKOPFDICHTUNG L	1	046	ZYLINDER H (50 Hz)	1
006	VENTILTeller L, KOMPLETT	1	047	AUSSTEIFUNG L	1
007	AUSLASSVENTIL	2	048	AUSSTEIFUNG H	1
008	EINLASSVENTIL	2	049	SECHSKANTMUTTER M8	1
009	ZYLINDERDICHTUNG L	1	050	KONDENSATORAUFLAGE	1
010	ZYLINDER L (50 Hz)	1	051	INNENSECHSKANTSCHRAUBE M6 x 40	8
011	BOGENSTÜCK 8-R1/4	4	052	UNTERLEGSCHRAUBE 6	4
012	RING 8	4	053	KRANZ 6	4
013	RINGMUTTER 8	4	054	DÄMPFUNGSSCHEIBE	4
014	BOGENSTÜCK 10-R3/8	1	055	KURBELGEHÄUSE	1
015	RING 10	1	056	KUGELLAGER 6305LLB	1
016	RINGMUTTER 10	1	057	LAGERHALTERUNG	1
017	KURBELSTANGE L BAUGRUPPE	1	058	SENKKOPFSCHRAUBE M5 x 12	3
018	BLECHRING L	1	059	STATOR	1
019	BLATTFEDER 1	1	060	KEIL 6	1
020	ABRIEBRING L	1	061	ROTOR	1
021	SECHSKANTMUTTER M18	1	062	KUGELLAGER 6303LLB	1
022	KONUS-SEIBENFEDER 18	1	063	O-RING 49	1
023	AUSWUCHTSTÜCK (50 Hz)	1	064	HINETRE KLEMME	1
024	DISTANZSTÜCK	3	065	UNTERLEGSCHRAUBE 5	4
025	KURBELDISTANZSTÜCK L	1	066	FEDERSCHEIBE 5	4
026	KURBELDISTANZSTÜCK H	1	067	SECHKANTSCHRAUBE M5 x 150	4
027	+ FLACHKOPFSCHRAUBE M5 x 16	3	068	VENTILATOR 195	1
028	UNTERLEGSCHRAUBE 5	3	069	HALTERUNGSRING 14	1
029	+ BLECHSCHRAUBE 4 x 18	3	070	MOTORABDECKUNG B	1
030	FILTERKAPPE	1	071	HÜLSE	1
031	FILTER	1	072	THERMOSCHUTZSCHALTER	1
032	KURBELGEHÄUSEKAPPE	1	073	MOTORABDECKUNG C	1
033	O-RING 147	1	074	NETZKABEL	1
034	KURBELSTANGE H BAUGRUPPE	1	075	KABEL	1
035	BLECHRING H	1	076	KRAMPE	2
036	BLATTFEDER H	1	077	SCHALTERBAUGRUPPE	1
037	ABRIEBRING H	1	078	RINGMUTTER 6	1
038	LEITUNG 8	1	079	LEITUNG 6	1
039	INNENSECHSKANTSCHRAUBE M8 x 70	4	080	ZYLINDERNIPPEL R1/4-30	1
040	FEDERSCHEIBE 8	4	081	RÜCKSCHLAGVENTIL	1
041	UNTERLEGSCHRAUBE 8	4	082	RING 6	1
			083	RINGMUTTER 6	1

084	RING 10	1
085	RINGMUTTER 10	1
086	LEITUNG 10	1
087	STECKER 1/2	2
088	GUMMIDICHTUNG 20	2
089	TANK, KOMPLETT	1
090	TYPENSCHILD	1
091	ABFLUSSANSATZ	1
092	+ FLACHKOPFSCHRAUBE M5 x 10	11
093	FEDERSCHEIBE 5	11
094	UNTERLEGSCHLEIBE 5	11
095	SEITENABDECKUNG	1
096	SEITENBLENDE	1
097	RAHMEN, KOMPLETT	1
098	FUSS	4
099	KRANZ 6	4
100	UNTERLEGSCHLEIBE 6	4
101	INNENSECHSKANTSCHRAUBE M6 x 12	4
102	UNTERLEGSCHLEIBE 6	4
103	SECHSKANTMUTTER M6	8
104	FEDERSCHLEIBE 6	8
105	SECHSKANTMUTTER M5	2
106	LEITUNG 8	1
107	VORDERBLENDE, BAUGRUPPE	1
108	+ FLACHKOPFSCHRAUBE M5 x 16	3
109	FEDERSCHLEIBE 5	3
110	UNTERLEGSCHLEIBE 5	3
111	VORDERBLENDE	1
112	MANOMETERABDECKUNG	3
113	TYPENSCHILD	1
114	SICHERHEITSVENTIL, VOLLSTÄNDIG 10	1
115	VERTEILERSTÜCK L	1
116	ZYLINDERNIPPEL R1/4-30	6
117	SCHNELLKUPPLUNG L R1/4	2
118	AUFNAHMESCHRAUBKAPPE R1/4	5
119	REGLER L	1
120	TYPENSCHILD	1
121	DRUCKANZEIGE-VERBINDUNGSSTÜCK	2
122	DRUCKANZEIGE L	1
123	VERTEILERSTÜCK A	1
124	DRUCKANZEIGE H	2
125	REGLER H	1
126	TYPENSCHILD	1

127	VERTEILERSTÜCK H	1
128	SCHNELLKUPPLUNG H R1/4, LINKE SCHRAUBE	2
129	GUMMIKRANZ	2
130	SICHERHEITSVENTIL, VOLLSTÄNDIG 30	1
131	TYPENSCHILD	1
132	MOTORABDECKUNG A, VOLLSTÄNDIG	1
133	WARNSCHILD	1
134	+ BLECHSCHRAUBE 4 x 18	9

ITALIANO

Num.	Componente	Q.tà			
001	BULLONE A TESTA ESAGONALE INCASSATA M6x90	4	040	RONDELLA A MOLLA 8	4
002	RONDELLA A MOLLA 6	4	041	RONDELLA PIANA 8	4
003	RONDELLA PIANA 6	4	042	TESTA CILINDRO H	1
004	TESTA CILINDRO L	1	043	GUARNIZIONE TESTA H	1
005	GUARNIZIONE TESTA L	1	044	PIASTRA VALVOLA L COMPLETA	1
006	PIASTRA VALVOLA L COMPLETA	1	045	GUARNIZIONE CILINDRO L	1
007	VALVOLA DI SCARICO	2	046	CILINDRO H (50Hz)	1
008	VALVOLA DI ASPIRAZIONE	2	047	PIASTRA L	1
009	GUARNIZIONE CILINDRO L	1	048	PIASTRA H	1
010	CILINDRO L (50Hz)	1	049	DADO ESAGONALE M8	1
011	GOMITO 8-R1/4	4	050	CONDENSATORE	1
012	ANELLO 8	4	051	BULLONE A TESTA ESAGONALE INCASSATA M6x40	8
013	GHIERA 8	4	052	RONDELLA PIANA 6	4
014	GOMITO 10-R3/8	1	053	MANICOTTO 6	4
015	ANELLO 10	1	054	CUSCINETTO	4
016	GHIERA 10	1	055	ALLOGGIAMENTO MANOVELLA	1
017	MONTAGGIO BIELLA L	1	056	CUSCINETTO A SFERA 6305LLB	1
018	ANELLO IN LAMIERA L	1	057	SUPPORTO CUSCINETTO	1
019	MOLLA A BALESTRA L	1	058	VITE A TESTA CONICA M5x12	3
020	ANELLO DI USURA L	1	059	STATORE	1
021	DADO ESAGONALE M18	1	060	CHIAVE 6	1
022	MOLLA A DISCO CONICO 18	1	061	ROTORE	1
023	EQUILIBRATORE (50Hz)	1	062	CUSCINETTO A SFERA 6303LLB	1
024	DISTANZIATORE	3	063	O-RING 49	1
025	DISTANZIATORE A MANOVELLA L	1	064	STAFFA POSTERIORE	1
026	DISTANZIATORE A MANOVELLA H	1	065	RONDELLA PIANA 5	4
027	+ VITE A TESTA TONDA M5x16	3	066	RONDELLA A MOLLA 5	4
028	RONDELLA PIANA 5	3	067	BULLONE ESAGONALE M5x150	4
029	+ VITE AUTOFILETTANTE 4x18	3	068	VENTOLA 195	1
030	COPERCHIO FILTRO	1	069	ANELLO DI FISSAGGIO 14	1
031	FILTRO	1	070	COPERCHIO MOTORE B	1
032	COPERCHIO ALLOGGIAMENTO MANOVELLA	1	071	BOCCOLA	1
033	O-RING 147	1	072	INTERRUTTORE TERMICO	1
034	MONTAGGIO BIELLA H	1	073	COPERCHIO MOTORE C	1
035	ANELLO IN LAMIERA H	1	074	CAVO DI ALIMENTAZIONE	1
036	MOLLA A BALESTRA H	1	075	CAVO	1
037	ANELLO DI USURA H	1	076	MORSETTO CAVO	2
038	TUBO 8	1	077	MONTAGGIO INTERRUTTORE	1
039	BULLONE A TESTA ESAGONALE INCASSATA M8x70	4	078	GHIERA 6	1
			079	TUBO 6	1
			080	RACCORDO FILETTATO CILINDRICO R1/4-30	1

081	VALVOLA DI CONTROLLO	1
082	ANELLO 6	1
083	GHIERA 6	1
084	ANELLO 10	1
085	GHIERA 10	1
086	TUBO 10	1
087	TAPPO 1/2	2
088	GUARNIZIONE IN GOMMA 20	2
089	SERBATOIO COMPLETO	1
090	ETICHETTA	1
091	SCARICO	1
092	+ VITE A TESTA TONDA M5x10	11
093	RONDELLA A MOLLA 5	11
094	RONDELLA PIANA 5	11
095	COPERCHIO PANNELLO LATERALE	1
096	PANNELLO LATERALE	1
097	TELAIO COMPLETO	1
098	PIEDINO	4
099	MANICOTTO 6	4
100	RONDELLA PIANA 6	4
101	BULLONE A TESTA ESAGONALE INCASSATA M6x12	4
102	RONDELLA PIANA 6	4
103	DADO ESAGONALE M6	8
104	RONDELLA A MOLLA 6	8
105	DADO ESAGONALE M5	2
106	TUBO 8	1
107	MONTAGGIO PANNELLO FRONTALE	1
108	+ VITE A TESTA TONDA M5x16	3
109	RONDELLA A MOLLA 5	3
110	RONDELLA PIANA 5	3
111	PANNELLO FRONTALE	1
112	COPERCHIO CALIBRO	3
113	ETICHETTA	1
114	VALVOLA DI SICUREZZA COMPLETA 10	1
115	COLLETTORE L	1
116	RACCORDO FILETTATO CILINDRICO R1/4-30	6
117	ATTACCO RAPIDO L R1/4	2
118	TAPPO VITE CONICA R1/4	5
119	REGOLATORE L	1
120	ETICHETTA	1
121	GIUNTO MANOMETRO	2
122	MANOMETRO L	1

123	COLLETTORE A	1
124	MANOMETRO H	2
125	REGOLATORE H	1
126	ETICHETTA	1
127	COLLETTORE H	1
128	GIUNTO RAPIDO H R1/4 VITE SINISTRA	2
129	MANICOTTO IN GOMMA	2
130	VALVOLA DI SICUREZZA COMPLETA 30	1
131	ETICHETTA	1
132	COPERCHIO MOTORE A COMPLETO	1
133	ETICHETTA AVVERTENZE	1
134	+ VITE AUTOFILETTANTE 4x18	9

NEDERLANDS

Nr.	Naam van onderdeel	Aantal			
001	INBUSBOUT M6x90	4	042	CILINDERKOP H	1
002	VEERRING 6	4	043	KOPPAKKING H	1
003	PLATTE RING 6	4	044	KLEPPLAAT H COMPLEET	1
004	CILINDERKOP L	1	045	CILINDERPAKKING H	1
005	KOPPAKKING L	1	046	CILINDER H (50 Hz)	1
006	KLEPPLAAT L COMPLEET	1	047	SLUITPLAATJE L	1
007	UITLAATKLEP	2	048	SLUITPLAATJE H	1
008	INLAATKLEP	2	049	ZESKANTMOER M8	1
009	CILINDERPAKKING L	1	050	CONDENSATOR	1
010	CILINDER L (50 Hz)	1	051	INBUSBOUT M6x40	8
011	KNIEBOCHT 8-R1/4	4	052	PLATTE RING 6	4
012	RING 8	4	053	MOF 6	4
013	RINGMOER 8	4	054	KUSSEN	4
014	KNIEBOCHT 10-R3/8	1	055	KRUKKAST	1
015	RING 10	1	056	KOGELLAGER 6305LLB	1
016	RINGMOER 10	1	057	LAGERHOUDER	1
017	DRIJFSTANG L COMPLEET	1	058	VERZONKEN-KOPBOUT M5x12	3
018	PLAATRING L	1	059	STATOR	1
019	BLADVEER L	1	060	SPIE 6	1
020	MANTEL L	1	061	ROTOR	1
021	ZESKANTMOER M18	1	062	KOGELLAGER 6303LLB	1
022	CONISCHE SCHIJFVEER 18	1	063	O-RING 49	1
023	BALANSWIEL (50 Hz)	1	064	ACHTERDEKSEL	1
024	AFSTANDSRING	3	065	PLATTE RING 5	4
025	KRUK-AFSTANDSRING L	1	066	VEERRING 5	4
026	KRUK-AFSTANDSRING H	1	067	ZESKANTBOUT M5x150	4
027	+ BOLKOPBOUT M5x16	3	068	WAAIER 195	1
028	PLATTE RING 5	3	069	BORGRING 14	1
029	+ TAPBOUT 4x18	3	070	MOTORKAP B	1
030	FILTERDEKSEL	1	071	BUS	1
031	FILTER	1	072	THERMISCHE STROOMONDERBREKER	1
032	KRUKKASTKAP	1	073	MOTORKAP C	1
033	O-RING 147	1	074	NETSNOER	1
034	DRIJFSTANG H COMPLEET	1	075	SNOER	1
035	PLAATRING H	1	076	KRAM	2
036	BLADVEER H	1	077	SCHAKELAAR COMPLEET	1
037	MANTEL H	1	078	RINGMOER 6	1
038	PIJP 8	1	079	PIJP 6	1
039	INBUSBOUT M8x70	4	080	VATNIPPEL R1/4-30	1
040	VEERRING 8	4	081	TERUGSLAGKLEP	1
041	PLATTE RING 8	4	082	RING 6	1
			083	RINGMOER 6	1

084	RING 10	1
085	RINGMOER 10	1
086	PIJP 10	1
087	STOP 1/2	2
088	RUBBEREN AFDICHTING 20	2
089	LUCHTTANK COMPLEET	1
090	NAAMPLAAT	1
091	AFTAPKRAANTJE	1
092	+ BOLKOPBOUT M5x10	11
093	VEERRING 5	11
094	PLATTE RING 5	11
095	AFDEKKING ZIJPANEEL	1
096	ZIJPANEEL	1
097	FRAME COMPLEET	1
098	VOET	4
099	MOF 6	4
100	PLATTE RING 6	4
101	INBUSBOUT M6x12	4
102	PLATTE RING 6	4
103	ZESKANTMOER M6	8
104	VEERRING 6	8
105	ZESKANTMOER M5	2
106	PIJP 8	1
107	VOORPANEEL COMPLEET	1
108	+ BOLKOPBOUT M5x16	3
109	VEERRING 5	3
110	PLATTE RING 5	3
111	VOORPANEEL	1
112	METERHOUDER	3
113	NAAMPLAAT	1
114	VEILIGHEIDSVENTIEL COMPLEET 10	1
115	VERDEELSTUK L	1
116	VATNIPPEL R1/4-30	6
117	SNELKOPPELING L R1/4	2
118	STOP MET TAPSE SCHROEFDRAAD R1/4	5
119	LUCHTDRIKREGELAAR L	1
120	NAAMPLAAT	1
121	KOPPELING DRUKMETER	2
122	DRUKMETER L	1
123	VERDEELSTUK A	1
124	DRUKMETER H	2
125	LUCHTDRIKREGELAAR H	1

126	NAAMPLAAT	1
127	VERDEELSTUK H	1
128	SNELKOPPELING H R1/4 MET LINKSE SCHROEFDRAAD	2
129	RUBBEREN MOF	2
130	VEILIGHEIDSVENTIEL COMPLEET 30	1
131	NAAMPLAAT	1
132	MOTORKAP A COMPLEET	1
133	WAARSCHUWINGSETIKET	1
134	+ TAPBOUT 4x18	9

ESPAÑOL

Nº	Nombre de la pieza	CANTIDAD
001	PERNO DE CABEZA HUECA HEXAGONAL M6x90	4
002	ARANDELA DE PRESIÓN 6	4
003	ARANDELA PLANA 6	4
004	CULATA L	1
005	JUNTA DE LA CULATA L	1
006	PLACA DE VÁLVULA L COMPLETA	1
007	VÁLVULA DE SALIDA	2
008	VÁLVULA DE ENTRADA	2
009	JUNTA DE CILINDRO L	1
010	CILINDRO L (50 Hz)	1
011	CODO 8-R1/4	4
012	ANILLA 8	4
013	TUERCA DE ANILLA 8	4
014	CODO 10-R3/8	1
015	ANILLA 10	1
016	TUERCA DE ANILLA 10	1
017	CONJUNTO DE CONEXIÓN DEL PISTÓN L	1
018	JUNTA DE CAMISA L	1
019	RESORTE DE LÁMINAS L	1
020	SUPERFICIE DE DESLIZAMIENTO L	1
021	TUERCA HEXAGONAL M18	1
022	MUELLE DE DISCO EN FORMA DE CONO 18	1
023	EQUILIBRADOR (50 Hz)	1
024	SEPARADOR	3
025	SEPARADOR DEL CIGÜEÑAL L	1
026	SEPARADOR DEL CIGÜEÑAL H	1
027	+ TORNILLO DE CABEZA PLANA M5x16	3
028	ARANDELA PLANA 5	3
029	+ TORNILLO ROSCADOR 4x18	3
030	CUBIERTA DEL FILTRO	1
031	FILTRO	1
032	TAPA DEL CÁRTER	1
033	JUNTA TÓRICA 147	1
034	CONJUNTO DE CONEXIÓN DEL PISTÓN H	1
035	JUNTA DE CAMISA H	1
036	RESORTE DE LÁMINAS H	1
037	SUPERFICIE DE DESLIZAMIENTO H	1
038	TUBO 8	1

039	PERNO DE CABEZA HUECA HEXAGONAL M8x70	4
040	ARANDELA DE PRESIÓN 8	4
041	ARANDELA PLANA 8	4
042	CULATA H	1
043	JUNTA DE LA CULATA H	1
044	PLACA DE VÁLVULA H COMPLETA	1
045	JUNTA DE CILINDRO H	1
046	CILINDRO H (50 Hz)	1
047	RELLENO L	1
048	RELLENO H	1
049	TUERCA HEXAGONAL M8	1
050	CONDENSADOR	1
051	PERNO DE CABEZA HUECA HEXAGONAL M6x40	8
052	ARANDELA PLANA 6	4
053	CASQUILLO 6	4
054	ALMOHADILLA	4
055	CÁRTER	1
056	COJINETE DE BOLAS 6305LLB	1
057	RETÉN DEL COJINETE	1
058	TORNILLO DE CABEZA AVELLANADA M5x12	3
059	ESTATOR	1
060	LLAVE 6	1
061	ROTOR	1
062	COJINETE DE BOLAS 6303LLB	1
063	JUNTA TÓRICA 49	1
064	SOPORTE POSTERIOR	1
065	ARANDELA PLANA 5	4
066	ARANDELA DE PRESIÓN 5	4
067	PERNO HEXAGONAL M5x150	4
068	VENTILADOR 195	1
069	ANILLA DE RETÉN 14	1
070	CUBIERTA DEL MOTOR B	1
071	CASQUILLO	1
072	DISYUNTOR TÉRMICO	1
073	CUBIERTA DEL MOTOR C	1
074	CABLE DE ALIMENTACIÓN	1
075	CABLE	1
076	GRAPA	2
077	CONJUNTO DEL INTERRUPTOR	1
078	TUERCA DE ANILLA 6	1

079	TUBO 6	1
080	CASQUILLO DE ROSCADO DOBLE R1/4-30	1
081	VÁLVULA DE RETENCIÓN	1
082	ANILLA 6	1
083	TUERCA DE ANILLA 6	1
084	ANILLA 10	1
085	TUERCA DE ANILLA 10	1
086	TUBO 10	1
087	TAPÓN 1/2	2
088	JUNTA DE GOMA 20	2
089	DEPÓSITO COMPLETO	1
090	ETIQUETA DE INDICACIÓN	1
091	ENCHUFE DE DRENAJE	1
092	+ TORNILLO DE CABEZA PLANA M5x10	11
093	ARANDELA DE PRESIÓN 5	11
094	ARANDELA PLANA 5	11
095	CUBIERTA DEL PANEL LATERAL	1
096	PANEL LATERAL	1
097	BASTIDOR COMPLETO	1
098	PIE	4
099	CASQUILLO 6	4
100	ARANDELA PLANA 6	4
101	PERNO DE CABEZA HUECA HEXAGONAL M6x12	4
102	ARANDELA PLANA 6	4
103	TUERCA HEXAGONAL M6	8
104	ARANDELA DE PRESIÓN 6	8
105	TUERCA HEXAGONAL M5	2
106	TUBO 8	1
107	CONJUNTO DEL PANEL FRONTAL	1
108	+ TORNILLO DE CABEZA PLANA M5x16	3
109	ARANDELA DE PRESIÓN 5	3
110	ARANDELA PLANA 5	3
111	PANEL FRONTAL	1
112	CUBIERTA DEL MANÓMETRO	3
113	ETIQUETA DE INDICACIÓN	1
114	VÁLVULA DE SEGURIDAD COMPLETA 10	1
115	COLECTOR L	1
116	CASQUILLO DE ROSCADO DOBLE R1/4-30	6
117	ACOPLADOR RÁPIDO L R1/4	2
118	ENCHUFE DE HUSILLO CÓNICO R1/4	5
119	REGULADOR L	1

120	ETIQUETA DE INDICACIÓN	1
121	JUNTA DEL MANÓMETRO	2
122	MANÓMETRO L	1
123	COLECTOR A	1
124	MANÓMETRO H	2
125	REGULADOR H	1
126	ETIQUETA DE INDICACIÓN	1
127	COLECTOR H	1
128	TORNILLO IZQUIERDO R1/4 DEL ACOPLADOR RÁPIDO H	2
129	ANILLO DE GOMA	2
130	VÁLVULA DE SEGURIDAD COMPLETA 30	1
131	ETIQUETA DE INDICACIÓN	1
132	CUBIERTA DEL MOTOR A COMPLETA	1
133	ETIQUETA DE PRECAUCIÓN	1
134	+ TORNILLO ROSCADOR 4x18	9

PORTUGUÊS

Nº.	Nome da peça	QTD			
001	PARAFUSO DE CABEÇA CILÍNDRICA SEXTAVADO M6x90	4	041	ANILHA CHATA 8	4
002	ANILHA DE MOLA 6	4	042	CABEÇA CILINDRO H	1
003	ANILHA CHATA 6	4	043	JUNTA DA CABEÇA H	1
004	CABEÇA CILINDRO L	1	044	PLACA DA VÁLVULA H COMPLETA	1
005	JUNTA DA CABEÇA L	1	045	JUNTA DO CILINDRO H	1
006	PLACA DA VÁLVULA L COMPLETA	1	046	CILINDRO H (50Hz)	1
007	VÁLVULA DE SAÍDA	2	047	TAMPA L	1
008	VÁLVULA DE ENTRADA	2	048	TAMPA H	1
009	JUNTA DO CILINDRO L	1	049	PORCA SEXTAVADA M8	1
010	CILINDRO L (50Hz)	1	050	CILINDRO DO CONDENSADOR	1
011	PEÇA EM COTOVELO 8-R1/4	4	051	PARAFUSO DE CABEÇA CILÍNDRICA SEXTAVADO M6x40	8
012	ANEL 8	4	052	ANILHA CHATA 6	4
013	PORCA DE ANEL 8	4	053	MANGA 6	4
014	PEÇA EM COTOVELO 10-R3/8	1	054	PEÇA DE AMORTECIMENTO	4
015	ANEL 10	1	055	CAIXA DO CÂRTER	1
016	PORCA DE ANEL 10	1	056	ROLAMENTO DE ESFERAS 6305LLB	1
017	MONTAGEM DA BIELA L	1	057	RETENTOR DO ROLAMENTO	1
018	SEGMENTO L	1	058	PARAFUSO DE CABEÇA FRESADA M5x12	3
019	MOLA DE LÂMINA L	1	059	ESTATOR	1
020	BANDA L	1	060	CHAVE 6	1
021	PORCA SEXTAVADA M18	1	061	ROTOR	1
022	MOLA DE DISCO CÔNICA 18	1	062	ROLAMENTO DE ESFERAS 6303LLB	1
023	EQUILIBRADOR (50Hz)	1	063	O-RING 49	1
024	ESPAÇADOR	3	064	SUPORTE TRASEIRO	1
025	ESPAÇADOR DO CÂRTER L	1	065	ANILHA CHATA 5	4
026	ESPAÇADOR DO CÂRTER H	1	066	ANILHA DE MOLA 5	4
027	+ PARAFUSO CABEÇA OVAL M5x16	3	067	PARAFUSO SEXTAVADO M5x150	4
028	ANILHA CHATA 5	3	068	VENTOINHA 195	1
029	+ PARAFUSO ROSCANTE 4x18	3	069	ANEL DE RETENÇÃO 14	1
030	TAMPA DO FILTRO	1	070	TAMPA DO MOTOR B	1
031	FILTRO	1	071	CASQUILHO	1
032	ESPAÇADOR DA CAIXA DO CÂRTER L	1	072	DISJUNTOR TÉRMICO	1
033	O-RING 147	1	073	TAMPA DO MOTOR C	1
034	MONTAGEM DA BIELA H	1	074	CABO DE ALIMENTAÇÃO	1
035	SEGMENTO H	1	075	CABO	1
036	MOLA DE LÂMINA H	1	076	GRAMPO	2
037	BANDA H	1	077	CONJUNTO DO INTERRUPTOR	1
038	TUBO 8	1	078	PORCA DE ANEL 6	1
039	PARAFUSO DE CABEÇA CILÍNDRICA SEXTAVADO M8x70	4	079	TUBO 6	1
040	ANILHA DE MOLA 8	4	080	SALIÊNCIA DO BARRIL R1/4-30	1
			081	VÁLVULA DE VERIFICAÇÃO	1

082	ANEL 6	1
083	PORCA DE ANEL 6	1
084	ANEL 10	1
085	PORCA DE ANEL 10	1
086	TUBO 10	1
087	TAMPÃO 1/2	2
088	VEDANTE DE BORRACHA 20	2
089	DEPÓSITO COMPLETO	1
090	ETIQUETA DE INDICAÇÃO	1
091	BOCAL DE DRENAGEM	1
092	+ PARAFUSO CABEÇA OVAL M5x10	11
093	ANILHA DE MOLA 5	11
094	ANILHA CHATA 5	11
095	TAMPA DO PAINEL LATERAL	1
096	PAINEL LATERAL	1
097	QUADRO COMPLETO	1
098	PÉ	4
099	MANGA 6	4
100	ANILHA CHATA 6	4
101	PARAFUSO DE CABEÇA CILÍNDRICA SEXTAVADO M6x12	4
102	ANILHA CHATA 6	4
103	PORCA SEXTAVADA M6	8
104	ANILHA DE MOLA 6	8
105	PORCA SEXTAVADA M5	2
106	TUBO 8	1
107	CONJUNTO DO PAINEL FRONTAL	1
108	+ PARAFUSO CABEÇA OVAL M5x16	3
109	ANILHA DE MOLA 5	3
110	ANILHA CHATA 5	3
111	PAINEL FRONTAL	1
112	TAMPA MANÓMETRO	3
113	ETIQUETA DE INDICAÇÃO	1
114	VÁLVULA DE SEGURANÇA COMPLETA 10	1
115	COLECTOR L	1
116	SALIÊNCIA DO BARRIL R1/4-30	6
117	ACOPLADOR RÁPIDO L R1/4	2
118	TAMPA DO PARAFUSO EM CONE R1/4	5
119	REGULADOR L	1
120	ETIQUETA DE INDICAÇÃO	1
121	JUNTA DO MANÓMETRO DE PRESSÃO	2
122	JUNTA DO MANÓMETRO DE PRESSÃO L	1
123	COLECTOR A	1

124	MANÓMETRO DE PRESSÃO H	2
125	REGULADOR H	1
126	ETIQUETA DE INDICAÇÃO	1
127	COLECTOR H	1
128	PARAFUSO ESQUERDO ACOPLADOR RÁPIDO H R1/4	2
129	MANGA DE BORRACHA	2
130	VÁLVULA DE SEGURANÇA COMPLETA 30	1
131	ETIQUETA DE INDICAÇÃO	1
132	TAMPA DO MOTOR A COMPLETA	1
133	ETIQUETA DE PRECAUÇÕES	1
134	+ PARAFUSO ROSCANTE 4x18	9

DANSK

Nr.	Navn på del	Antal			
001	SEKSKANTET HOVEDBOLT M6x90	4	042	CYLINDERHOVED H	1
002	FJEDERSKIVE 6	4	043	TOPPAKNING H	1
003	UNDERLAGSSKIVE 6	4	044	PLADEVENTIL H SAMLET	1
004	CYLINDERHOVED L	1	045	CYLINDER-TOPPAKNING H	1
005	TOPPAKNING L	1	046	CYLINDER H (50Hz)	1
006	PLADEVENTIL L KOMPLET	1	047	OVERSTYKKE L	1
007	TRYKVENTIL	2	048	OVERSTYKKE H	1
008	INDSUGNINGSVENTIL	2	049	SEKSKANTMØTRIK M8	1
009	CYLINDER-TOPPAKNING L	1	050	DRIFTSKONDENSATOR	1
010	CYLINDER L (50Hz)	1	051	SEKSKANTET HOVEDBOLT M6x40	8
011	KNÆRØR 8-R1/4	4	052	UNDERLAGSSKIVE 6	4
012	RING 8	4	053	MUFFE 6	4
013	RINGMØTRIK 8	4	054	STØDPUDE	4
014	KNÆRØR 10-R3/8	1	055	KRUMTAB	1
015	RING 10	1	056	KUGLELEJE 6305LLB	1
016	RINGMØTRIK 10	1	057	LEJEHOLDER	1
017	PLEJLSTANGSENHED L	1	058	FORSÆNKET SKRUE M5x12	3
018	TOPRING L	1	059	STATOR	1
019	BLADFJEDER L	1	060	NØGLE 6	1
020	LEJESTYKKE L	1	061	ROTOR	1
021	SEKSKANTMØTRIK M18	1	062	KUGLELEJE 6303LLB	1
022	KEGLEFORMET SKIVEFJEDER 18	1	063	O-RING 49	1
023	UDLIGNINGSSTYKKE (50Hz)	1	064	BAGSTYKKE	1
024	AFSTANDSSKIVE	3	065	UNDERLAGSSKIVE 5	4
025	KRUMTABSJUSTERINGSSKIVE L	1	066	FJEDERSKIVE 5	4
026	KRUMTABSJUSTERINGSSKIVE H	1	067	SEKSKANTMØTRIK M5x150	4
027	+ FLADHOVEDET SKRUE M5x16	3	068	BLÆSER 195	1
028	UNDERLAGSSKIVE 5	3	069	SPÆNDERING 14	1
029	+ SELVSKÆRENDE SKRUE 4x18	3	070	MOTORDÆKSEL B	1
030	FILTERDÆKSEL	1	071	BØSNING	1
031	FILTER	1	072	VARMEAFBRYDER	1
032	KRUMTABSDÆKSEL	1	073	MOTORDÆKSEL C	1
033	O-RING 147	1	074	STRØMFORSYNINGSLEDNING	1
034	PLEJLSTANGSMONTAGE H	1	075	LEDNING	1
035	TOPRING H	1	076	DÆKKESTYKKE	2
036	BLADFJEDER H	1	077	KONTAKTENHED	1
037	LEJESTYKKE H	1	078	RINGMØTRIK 6	1
038	RØR 8	1	079	RØR 6	1
039	SEKSKANTET HOVEDBOLT M8x70	4	080	BRYSTNIPPEL R1/4-30	1
040	FJEDERSKIVE 8	4	081	KONTRAVENTIL	1
041	UNDERLAGSSKIVE 8	4	082	RING 6	1
			083	RINGMØTRIK 6	1

084	RING 10	1
085	RINGMØTRIK 10	1
086	RØR 10	1
087	ENDESTYKKE 1/2	2
088	GUMMIFORSEGLING 20	2
089	TANK	1
090	MÆRKAT	1
091	DRÆNMUFFE	1
092	+ FLADHOVEDET SKRUE M5x10	11
093	FJEDERSKIVE 5	11
094	UNDERLAGSSKIVE 5	11
095	SIDEDÆKSEL	1
096	SIDEPANEL	1
097	RAMME	1
098	FOD	4
099	MUFFE 6	4
100	UNDERLAGSSKIVE 6	4
101	SEKSKANTET HOVEDBOLT M6x12	4
102	UNDERLAGSSKIVE 6	4
103	SEKSKANTMØTRIK M6	8
104	FJEDERSKIVE 6	8
105	SEKSKANTMØTRIK M5	2
106	RØR 8	1
107	FRONTPANEL KOMPLET	1
108	+ FLADHOVEDET SKRUE M5x16	3
109	FJEDERSKIVE 5	3
110	UNDERLAGSSKIVE 5	3
111	FRONTPANEL	1
112	MÅLERDÆKSEL	3
113	MÆRKAT	1
114	SIKKERHEDSVENTIL KOMPLET 10	1
115	MANIFOLD L	1
116	BRYSTNIPPEL R1/4-30	6
117	HURTIGKOBLING L R1/4	2
118	KONISK SKRUESTYKKE R1/4	5
119	REGULATOR L	1
120	MÆRKAT	1
121	TRYKMÅLERLED	2
122	TRYKMÅLER L	1
123	MANIFOLD A	1
124	TRYKMÅLERLED H	2
125	REGULATOR H	1
126	MÆRKAT	1

127	MANIFOLD H	1
128	HURTIGKOBLING H R1/4 VENSTRE SKRUE	2
129	GUMMIMUFFE	2
130	SIKKERHEDSVENTIL KOMPLET 30	1
131	MÆRKAT	1
132	MOTORDÆKSEL A KOMPLET	1
133	ADVARSELSMÆRKAT	1
134	+ SELVSKÆRENDE SKRUE 4x18	9

SVENSKA

Nr.	Namn på delar	Antal			Antal
001	BULT MED SEXKANTSHUVUD M6x90	4	042	TOPPLOCK H	1
002	FJÄDERBRICKA 6	4	043	HUVUDPACKNING H	1
003	PLANBRICKA 6	4	044	KOMPLETT VENTILPLATTA H	1
004	TOPPLOCK L	1	045	CYLINDERPACKNING H	1
005	HUVUDPACKNING L	1	046	CYLINDER H (50hZ)	1
006	KOMPLETT VENTILPLATTA L	1	047	SKYDDSKÅPA L	1
007	UTLOPPSVENTIL	2	048	SKYDDSKÅPA H	1
008	INLOPPSVENTIL	2	049	SEKANTSMUTTER M8	1
009	CYLINDERPACKNING L	1	050	KONDENSATOR	1
010	CYLINDER L (50hZ)	1	051	BULT MED SEXKANTSHUVUD M6x40	8
011	VINKELRÖR 8-R1/4	4	052	PLANBRICKA 6	4
012	RING 8	4	053	HYLSA 6	4
013	RINGMUTTER 8	4	054	DÄMPARE	4
014	VINKELRÖR 10-R3/8	1	055	VEVHUSLOCK	1
015	RING 10	1	056	KULLAGER 6305LLB	1
016	RINGMUTTER 10	1	057	HÅLLARE FÖR LAGER	1
017	VEVSTAKSSATS L	1	058	SKRUV MED FÖRSÄNKT HUVUD M5x12	3
018	SHIMS L	1	059	STATOR	1
019	BLADFJÄDER L	1	060	STIFT 6	1
020	SLITRING L	1	061	ROTOR	1
021	SEKANTSMUTTER M18	1	062	KULLAGER 6303LLB	1
022	KONFORMAD SKIVFJÄDER18	1	063	O-RING 49	1
023	STABILISERARE (50Hz)	1	064	BAKRE FÄSTET	1
024	BRICKA	3	065	PLANBRICKA 5	4
025	VEVAXELNS DISTANSBRICKA L	1	066	FJÄDERBRICKA 5	4
026	VEVAXELNS DISTANSBRICKA H	1	067	SEKANTSBULT M5x150	4
027	+ SKRUV MED KONISKT HUVUD M5x16	3	068	FLÅKT 195	1
028	PLANBRICKA 5	3	069	SPÄRRING 14	1
029	+ SJÄLVGÅNGANDE SKRUV 4x18	3	070	MOTORKÅPA B	1
030	FILTERLOCK	1	071	BUSSNING	1
031	FILTER	1	072	JORDFELSBRYTARE TERMISK	1
032	VEVHUSLOCK	1	073	MOTORSKYDD C	1
033	O-RING 147	1	074	NÄTKABEL	1
034	VEVSTAKSSATS H	1	075	KABEL	1
035	SHIMS H	1	076	KLÄMMA	2
036	BLADFJÄDER H	1	077	STRÖMBRYTARSATS	1
037	SLITRING H	1	078	RINGMUTTER 6	1
038	RÖR 8	1	079	RÖR 6	1
039	BULT MED SEXKANTSHUVUD M8x70	4	080	RÖRNIPPEL R1/4-30	1
040	FJÄDERBRICKA 8	4	081	KONTROLLVENTIL	1
041	PLANBRICKA 8	4	082	RING 6	1
			083	RINGMUTTER 6	1

084	RING 10	1
085	RINGMUTTER 10	1
086	RÖR 10	1
087	PLUGG 1/2	2
088	GUMMIPACKNING 20	2
089	KOMPLETT TANK	1
090	BETÄCKNINGSSKYLT	1
091	DRÄNERINGSTAPP	1
092	+ SKRUV MED KONISKT HUVUD M5x10	11
093	FJÄDERBRICKA 5	11
094	PLANBRICKA 5	11
095	SKYDD FÖR SIDOPANEL	1
096	SIDOPANEL	1
097	KOMPLETT RAM	1
098	FOT	4
099	HYLSA 6	4
100	PLANBRICKA 6	4
101	BULT MED SEXKANTSHUVUD M6x12	4
102	PLANBRICKA 6	4
103	SE XKANTSMUTTER M6	8
104	FJÄDERBRICKA 6	8
105	SE XKANTSMUTTER M5	2
106	RÖR 8	1
107	SATS FÖR FRÄMRE PANEL	1
108	+ SKRUV MED KONISKT HUVUD M5x16	3
109	FJÄDERBRICKA 5	3
110	PLANBRICKA 5	3
111	FRÄMRE PANEL	1
112	SKYDD FÖR MÄTARE	3
113	BETÄCKNINGSSKYLT	1
114	KOMPLETT SÄKERHETSVENTIL 10	1
115	FÖRGRENINGSRÖR L	1
116	RÖRNIPPEL R1/4-30	6
117	SNABBKOPPLING L R1/4	2
118	SKRUVPLUGG R1/4	5
119	REGULATOR L	1
120	BETÄCKNINGSSKYLT	1
121	ANSLUTNING FÖR TRYCKMÄTARE	2
122	TRYCKMÄTARE L	1
123	FÖRGRENINGSRÖR A	1
124	TRYCKMÄTARE H	2
125	REGULATOR H	1
126	BETÄCKNINGSSKYLT	1

127	FÖRGRENINGSRÖR H	1
128	SNABBKOPPLING H R1/4 VÄNSTER SKRUV	2
129	GUMMIHYLSA	2
130	KOMPLETT SÄKERHETSVENTIL 30	1
131	BETÄCKNINGSSKYLT	1
132	KOMPLETT MOTORKÅPA A	1
133	VARNINGSSKYLT	1
134	+ SJÄLVGÄNGANDE SKRUV 4x18	9

NORSK

Nr.	Delebetegnelse	Ant.			
001	SYLINDERSKRUE MED SEKSKANTHULL M6x90	4	041	FLAT SKIVE 8	4
002	FJÆRSKIVE 6	4	042	SYLINDERHODE H	1
003	FLAT SKIVE 6	4	043	TOPPAKNING H	1
004	SYLINDERHODE L	1	044	VENTILPLATE H KOMPLETT	1
005	TOPPAKNING L	1	045	SYLINDERPAKNING H	1
006	VENTILPLATE L KOMPLETT	1	046	SYLINDER H (50 Hz)	1
007	UTBLÅSNINGSVENTIL	2	047	DEKSEL L	1
008	INNSUGNINGSVENTIL	2	048	DEKSEL H	1
009	SYLINDERPAKNING L	1	049	SEKSKANTMUTTER M8	1
010	SYLINDER L (50 Hz)	1	050	KONDENSATOR	1
011	ALBU 8-R1/4	4	051	SYLINDERSKRUE MED SEKSKANTHULL M6x40	8
012	RING 8	4	052	FLAT SKIVE 6	4
013	RINGMUTTER 8	4	053	HYLSE 6	4
014	ALBU 10-R3/8	1	054	DEMPER	4
015	RING 10	1	055	VEIVHUS	1
016	RINGMUTTER 10	1	056	KULELAGER 6305LLB	1
017	STEMPELBOLT L SETT	1	057	LAGERHOLDER	1
018	STEMPELRING L	1	058	SKRUE MED SENKEHODE M5x12	3
019	BLADFJÆR L	1	059	STATOR	1
020	SLITASJERING L	1	060	SPLINT 6	1
021	SEKSKANTMUTTER M18	1	061	ROTOR	1
022	KONISK FJÆRSKIVE 18	1	062	KULELAGER 6303LLB	1
023	SVINGNINGSDEMPER (50 Hz)	1	063	O-RING 49	1
024	AVSTANDSSKIVE	3	064	BAKRE BRAKETT	1
025	VEIVAKSELSKIVE L	1	065	FLAT SKIVE 5	4
026	VEIVAKSELSKIVE H	1	066	FJÆRSKIVE 5	4
027	+ PANHODESKRUE M5x16	3	067	SEKSKANTSKRUE M5x150	4
028	FLAT SKIVE 5	3	068	VIFTE 195	1
029	+ LINSESENKPLATESKRUE 4x18	3	069	LÅSERING 14	1
030	FILTERDEKSEL	1	070	MOTORDEKSEL B	1
031	FILTER	1	071	BØSSING	1
032	VEIVHUSDEKSEL	1	072	TERMISK OVERBELASTNINGSBRYTER	1
033	O-RING 147	1	073	MOTORDEKSEL C	1
034	STEMPELBOLT H SETT	1	074	STRØMKABEL	1
035	STEMPELRING H	1	075	KABEL	1
036	BLADFJÆR H	1	076	KABELKLAMMER	2
037	SLITASJERING H	1	077	KOBLINGSSETT	1
038	RØR 8	1	078	RINGMUTTER 6	1
039	SYLINDERSKRUE MED SEKSKANTHULL M8x70	4	079	RØR 6	1
040	FJÆRSKIVE 8	4	080	NIPPEL R1/4-30	1
			081	TILBAKESLAGSVENTIL	1

082	RING 6	1
083	RINGMUTTER 6	1
084	RING 10	1
085	RINGMUTTER 10	1
086	RØR 10	1
087	PLUGG 1/2	2
088	GUMMIFAKNING 20	2
089	TANK KOMPLETT	1
090	FABRIKATSKILT	1
091	TAPPEHYLSE	1
092	+ PANHODESKRUE M5x10	11
093	FJÆRSKIVE 5	11
094	FLAT SKIVE 5	11
095	SIDEPANELDEKSEL	1
096	SIDEPANEL	1
097	RAMME KOMPLETT	1
098	FOT	4
099	HYLSE 6	4
100	FLAT SKIVE 6	4
101	SYLINDERSKRUE MED SEKSKANTHULL M6x12	4
102	FLAT SKIVE 6	4
103	SEKSKANTMUTTER M6	8
104	SPLITTSKIVE 6	8
105	SEKSKANTMUTTER M5	2
106	RØR 8	1
107	FRONTPANELENHET	1
108	+ PANHODESKRUE M5x16	3
109	FJÆRSKIVE 5	3
110	FLAT SKIVE 5	3
111	FRONTPANEL	1
112	MÅLERDEKSEL	3
113	FABRIKATSKILT	1
114	SIKKERHETSVENTIL KOMPLETT 10	1
115	MANIFOLD L	1
116	NIPPEL R1/4-30	6
117	HURTIGKOBLING L R1/4	2
118	KONISK SKRUEPLUGG R1/4	5
119	REGULATOR L	1
120	FABRIKATSKILT	1
121	TRYKKMÅLER LEDD	2
122	TRYKKMÅLER L	1
123	MANIFOLD A	1

124	TRYKKMÅLER H	2
125	REGULATOR H	1
126	FABRIKATSKILT	1
127	MANIFOLD H	1
128	HURTIGKOBLING H R1/4 VENSTRE SKRUE	2
129	GUMMIHYLSE	2
130	SIKKERHETSVENTIL KOMPLETT 30	1
131	FABRIKATSKILT	1
132	MOTORDEKSEL A KOMPLETT	1
133	"FORSIKTIG"-SKILT	1
134	+ LINSESENKPLATESKRUE 4x18	9

SUOMI

Nro	Osan nimi	Määrä			
001	KUUSIOKOLOPULTTI M6 x 90	4	042	SYLINTERIN KANSI H	1
002	JOUSIALUSLEVY 6	4	043	KANNEN TIIVISTE H	1
003	SUORA ALUSLEVY 6	4	044	VENTTIILILEVY, KOKONAISUUS H	1
004	SYLINTERIKANSI L	1	045	SYLINTERIN TIIVISTE H	1
005	KANNEN TIIVISTE L	1	046	SYLINTERI H (50 Hz)	1
006	VENTTIILILEVY, KOKONAISUUS L	1	047	SUOJA L	1
007	POISTOVENTTIILI	2	048	SUOJA H	1
008	TULOVENTTIILI	2	049	KUUSIOMUTTERI M8	1
009	SYLINTERIN TIIVISTE L	1	050	KONDENSAATTORI	1
010	SYLINTERI L (50 Hz)	1	051	KUUSIOKOLOPULTTI M6 x 40	8
011	MUTKALIITOS 8-R1/4	4	052	SUORA ALUSLEVY 6	4
012	RENGAS 8	4	053	HOLKKI 6	4
013	RENGASMUTTERI 8	4	054	PEHMIKE	4
014	MUTKALIITOS 10-R3/8	1	055	KAMPIKAMMIO	1
015	RENGAS 10	1	056	KUULALAAKERI 6305LLB	1
016	RENGASMUTTERI 10	1	057	LAAKERIHOLKKI	1
017	KIERTOKANKI, KOKOONPANO L	1	058	UPPOKANTARUUVI M5 x 12	3
018	LEVYRENGAS L	1	059	STAATTORI	1
019	LATTAJOUSSI L	1	060	KIILA 6	1
020	KULUTUSOSA L	1	061	PYÖRIJÄ	1
021	KUUSIOMUTTERI M18	1	062	KUULALAAKERI 6303LLB	1
022	KARTIOMALLINEN LAUTASJOUSSI 18	1	063	O-RENGAS 49	1
023	TASAPAINOTUSLAITE (50 Hz)	1	064	TAKAKIINNIKE	1
024	VÄLIKAPPALE	3	065	SUORA ALUSLEVY 5	4
025	KAMMEN VÄLIKAPPALE L	1	066	JOUSIALUSLEVY 5	4
026	KAMMEN VÄLIKAPPALE H	1	067	KUUSIOPULTTI M5 x 150	4
027	+ KUPUKANTARUUVI M5 x 16	3	068	TUULETIN 195	1
028	SUORA ALUSLEVY 5	3	069	PIDÄTYSRENGAS 14	1
029	+ KIINNITYSRUUVI 4 x 18	3	070	MOOTTORIN SUOJUS B	1
030	SUODATTIMEN SUOJUS	1	071	VÄLILEVY	1
031	SUODATIN	1	072	TERMOSTAATTI	1
032	KAMPIKAMMION SUOJUS	1	073	MOOTTORIN SUOJUS C	1
033	O-RENGAS 147	1	074	VIRTAJOHTO	1
034	KIERTOKANKI, KOKOONPANO H	1	075	JOHTO	1
035	LEVYRENGAS H	1	076	JOHDON KIINNIKE	2
036	LATTAJOUSSI H	1	077	KYTKINKOKOONPANO	1
037	LAAKERI H	1	078	RENGASMUTTERI 6	1
038	PUTKI 8	1	079	PUTKI 6	1
039	KUUSIOKOLOPULTTI M8x70	4	080	TYNNYRILIITIN R1/4-30	1
040	JOUSIALUSLEVY 8	4	081	TAKAISKUVENTTIILI	1
041	SUORA ALUSLEVY 8	4	082	RENGAS 6	1
			083	RENGASMUTTERI 6	1
			084	RENGAS 10	1

085	RENGASMUTTERI 10	1
086	PUTKI 10	1
087	TULPPA 1/2	2
088	KUMITIIVISTE 20	2
089	SÄILIÖ, KOKONAISUUS	1
090	MERKKIKYLTTI	1
091	TYHJENNYSHANA	1
092	+ KUPUKANTARUUVI M5 x 10	11
093	JOUSIALUSLEVY 5	11
094	SUORA ALUSLEVY 5	11
095	SIVUPANEELIN SUOJUS	1
096	SIVUPANEELI	1
097	RUNKO, KOKONAISUUS	1
098	JALKA	4
099	HOLKKI 6	4
100	SUORA ALUSLEVY 6	4
101	KUUSIOKOLOPULTTI M6 x 12	4
102	SUORA ALUSLEVY 6	4
103	KUUSIOMUTTERI M6	8
104	JOUSIALUSLEVY 6	8
105	KUUSIOMUTTERI M5	2
106	PUTKI 8	1
107	ETUPANEELIN KOKOONPANO	1
108	+ KUPUKANTARUUVI M5 x 16	3
109	JOUSIALUSLEVY 5	3
110	SUORA ALUSLEVY 5	3
111	ETUPANEELI	1
112	MITTARIN SUOJUS	3
113	MERKKIKYLTTI	1
114	YLIPAINEVENTTIILI, KOKOONPANO 10	1
115	JAKOPUTKI L	1
116	TYNNYRILIITIN R1/4-30	6
117	PIKALIITÄNTÄ L R1/4	2
118	KARTIOTULPPA R1/4	5
119	SÄÄDIN L	1
120	MERKKIKYLTTI	1
121	PAINEMITTARIN LIITOSKOHTA	2
122	PAINEMITTARI L	1
123	JAKOPUTKI A	1
124	PAINEMITTARI H	2
125	SÄÄDIN H	1
126	MERKKIKYLTTI	1
127	JAKOPUTKI H	1

128	PIKALIITÄNTÄ H R1/4, VASEN KIERRE	2
129	KUMIHOLKKI	2
130	YLIPAINEVENTTIILI, KOKOONPANO 30	1
131	MERKKIKYLTTI	1
132	MOOTTORIN SUOJUS A, KOKOONPANO	1
133	VAROITUSKYLTTI	1
134	+ KIINNITYSRUUVI 4 x 18	9

ΕΛΛΗΝΙΚΑ

Αρ.	Όνομα εξαρτήματος	Ποσότητα			
001	ΜΠΟΥΛΟΝΙ ΕΞΑΓ. ΚΟΙΛΗΣ ΚΕΦΑΛΗΣ Μ6x90	4	041	ΕΠΙΠΕΔΗ ΡΟΔΕΛΑ 8	4
002	ΕΛΑΤΗΡΙΩΤΟΣ ΔΑΚΤΥΛΙΟΣ 6	4	042	ΚΕΦΑΛΗ ΚΥΛΙΝΔΡΟΥ Η	1
003	ΕΠΙΠΕΔΗ ΡΟΔΕΛΑ 6	4	043	ΣΤΕΓΑΝΟΠΟΙΗΤΙΚΗ ΦΛΑΝΤΖΑ Η	1
004	ΚΕΦΑΛΗ ΚΥΛΙΝΔΡΟΥ L	1	044	ΠΛΗΡΗΣ ΠΛΑΚΑ ΒΑΛΒΙΔΑΣ Η	1
005	ΣΤΕΓΑΝΟΠΟΙΗΤΙΚΗ ΦΛΑΝΤΖΑ L	1	045	ΣΤΕΓΑΝΟΠΟΙΗΤΙΚΟ ΚΥΛΙΝΔΡΟΥ Η	1
006	ΠΛΑΚΑ ΒΑΛΒΙΔΑΣ L ΠΛΗΡΗΣ	1	046	ΚΥΛΙΝΔΡΟΣ Η (50Hz)	1
007	ΒΑΛΒΙΔΑ ΕΞΟΔΟΥ	2	047	ΓΕΜΙΣΗ L	1
008	ΒΑΛΒΙΔΑ ΕΙΣΟΔΟΥ	2	048	ΓΕΜΙΣΗ Η	1
009	ΣΤΕΓΑΝΟΠΟΙΗΤΙΚΟ ΚΥΛΙΝΔΡΟΥ L	1	049	ΕΞΑΓ. ΠΑΞΙΜΑΔΙ Μ8	1
010	ΚΥΛΙΝΔΡΟΣ L (50Hz)	1	050	ΔΙΑΔΡΟΜΗ ΠΥΚΝΩΤΗ	1
011	ΓΩΝΙΑ 8-R1/4	4	051	ΜΠΟΥΛΟΝΙ ΕΞΑΓΩΓΗΣ ΚΟΙΛΗΣ ΚΕΦΑΛΗΣ Μ6x40	8
012	ΔΑΚΤΥΛΙΟΣ 8	4	052	ΕΠΙΠΕΔΗ ΡΟΔΕΛΑ 6	4
013	ΠΑΞΙΜΑΔΙ ΔΑΚΤΥΛΙΟΥ 8	4	053	ΠΕΡΙΒΛΗΜΑ 6	4
014	ΓΩΝΙΑ 10-R3/8	1	054	ΣΤΟΧΕΙΟ ΑΠΟΣΒΕΣΗΣ ΚΡΑΔΑΣΜΩΝ	4
015	ΔΑΚΤΥΛΙΟΣ 10	1	055	ΘΗΚΗ ΣΤΡΟΦΑΛΟΥ	1
016	ΠΑΞΙΜΑΔΙ ΔΑΚΤΥΛΙΟΥ 10	1	056	ΡΟΥΛΕΜΑΝ 6305LLB	1
017	ΣΥΓΚΡΟΤΗΜΑ ΣΥΝΔΕΤΙΚΗΣ ΡΑΒΔΟΥ L	1	057	ΚΟΥΖΙΝΕΤΟ ΡΟΥΛΑΜΑΝ	1
018	ΔΑΚΤΥΛΙΟΣ ΕΛΑΣΜΑΤΟΣ L	1	058	ΒΙΔΑ ΜΕ ΦΡΕΖΑΡΙΣΜΕΝΗ ΚΕΦΑΛΗ Μ5x12	3
019	ΕΛΑΤΗΡΙΟ ΕΛΑΣΜΑΤΟΣ L	1	059	ΣΤΑΤΟΡΑΣ	1
020	ΤΡΙΒΟΜΕΝΟ ΣΤΟΙΧΕΙΟ L	1	060	ΚΛΕΙΔΙ 6	1
021	ΕΞΑΓ. ΠΑΞΙΜΑΔΙ Μ18	1	061	ΡΟΤΟΡΑΣ	1
022	ΕΛΑΤΗΡΙΟ ΚΩΝΙΚΟΥ ΔΙΣΚΟΥ 18	1	062	ΡΟΥΛΕΜΑΝ 6303LLB	1
023	ΖΥΓΩΘΡΟ (50Hz)	1	063	ΔΑΚΤΥΛΙΟΣ ΚΥΚΛΙΚΗΣ ΔΙΑΤΟΜΗΣ 49	1
024	ΔΙΑΧΩΡΙΣΤΙΚΟΣ ΔΑΚΤΥΛΙΟΣ	3	064	ΠΙΣΩ ΣΤΗΡΙΓΜΑ	1
025	ΔΙΑΧΩΡΙΣΤΙΚΟ ΣΤΡΟΦΑΛΟΥ L	1	065	ΕΠΙΠΕΔΗ ΡΟΔΕΛΑ 5	4
026	ΔΙΑΧΩΡΙΣΤΙΚΟ ΣΤΡΟΦΑΛΟΥ Η	1	066	ΕΛΑΤΗΡΙΩΤΟΣ ΔΑΚΤΥΛΙΟΣ 5	4
027	+ ΒΙΔΑ ΔΙΣΚΟΕΙΔΟΥΣ ΚΕΦΑΛΗΣ Μ5x16	3	067	ΕΞΑΓ. ΜΠΟΥΛΟΝΙ Μ5x150	4
028	ΕΠΙΠΕΔΗ ΡΟΔΕΛΑ 5	3	068	ΦΤΕΡΩΤΗ 195	1
029	+ ΛΑΜΑΡΙΝΟΒΙΔΑ 4x18	3	069	ΔΑΚΤΥΛΙΟΣ ΣΤΗΡΙΞΗΣ 14	1
030	ΚΑΛΥΜΜΑ ΦΙΛΤΡΟΥ	1	070	ΚΑΛΥΜΜΑ ΜΟΤΕΡ Β	1
031	ΦΙΛΤΡΟ	1	071	ΔΑΚΤΥΛΙΟΣ ΤΡΟΦΟΔΟΣΙΑΣ	1
032	ΚΑΛΥΜΜΑ ΘΗΚΗΣ ΣΤΡΟΦΑΛΟΥ	1	072	ΘΕΡΜΙΚΟΣ ΔΙΑΚΟΠΤΗΣ ΚΥΚΛΩΜΑΤΟΣ	1
033	ΔΑΚΤΥΛΙΟΣ ΚΥΚΛΙΚΗΣ ΔΙΑΤΟΜΗΣ 147	1	073	ΚΑΛΥΜΜΑ ΜΟΤΕΡ C	1
034	ΣΥΓΚΡΟΤΗΜΑ ΣΥΝΔΕΤΙΚΗΣ ΡΑΒΔΟΥ Η	1	074	ΚΑΛΩΔΙΟ ΠΑΡΟΧΗΣ ΡΕΥΜΑΤΟΣ	1
035	ΔΑΚΤΥΛΙΟΣ ΕΛΑΣΜΑΤΟΣ Η	1	075	ΚΑΛΩΔΙΟ	1
036	ΕΛΑΤΗΡΙΟ ΕΛΑΣΜΑΤΟΣ Η	1	076	ΣΥΝΔΕΤΗΡΑΣ COAD	2
037	ΤΡΙΒΟΜΕΝΟ ΣΤΟΙΧΕΙΟ Η	1	077	ΣΥΓΚΡΟΤΗΜΑ ΔΙΑΚΟΠΤΗ	1
038	ΣΩΛΗΝΑΣ 8	1	078	ΠΑΞΙΜΑΔΙ ΔΑΚΤΥΛΙΟΥ 6	1
039	ΜΠΟΥΛΟΝΙ ΕΞΑΓΩΓΗΣ ΚΟΙΛΗΣ ΚΕΦΑΛΗΣ Μ8x70	4	079	ΣΩΛΗΝΑΣ 6	1
040	ΕΛΑΤΗΡΙΩΤΟΣ ΔΑΚΤΥΛΙΟΣ 8	4	080	ΚΥΛΙΝΔΡΙΚΟ ΣΤΟΙΧΕΙΟ ΣΥΝΔΕΣΗΣ R1/4-30	1

081	ΒΑΛΒΙΔΑ ΕΛΕΓΧΟΥ	1	123	ΠΟΛΛΑΠΛΗ Α	1
082	ΔΑΚΤΥΛΙΟΣ 6	1	124	ΜΕΤΡΗΤΗΣ ΠΙΕΣΗΣ Η	2
083	ΠΑΞΙΜΑΔΙ ΔΑΚΤΥΛΙΟΥ 6	1	125	ΡΥΘΜΙΣΤΗΣ Η	1
084	ΔΑΚΤΥΛΙΟΣ 10	1	126	ΕΤΙΚΕΤΑ ΕΝΔΕΙΞΗΣ	1
085	ΠΑΞΙΜΑΔΙ ΔΑΚΤΥΛΙΟΥ 10	1	127	ΠΟΛΛΑΠΛΗ Η	1
086	ΣΩΛΗΝΑΣ 10	1	128	ΤΑΧΥΣΥΝΔΕΣΜΟΣ Η R1/4 ΑΡΙΣΤΕΡΗ ΒΙΔΑ	2
087	ΤΑΠΑ 1/2	2	129	ΕΛΑΣΤΙΚΟ ΠΕΡΙΒΛΗΜΑ	2
088	ΣΤΕΓΑΝΟΠΟΙΗΤΙΚΟΣ ΔΑΚΤΥΛΙΟΣ 20	2	130	ΒΑΛΒΙΔΑ ΑΣΦΑΛΕΙΑΣ ΠΛΗΡΗΣ 30	1
089	ΠΛΗΡΕΣ ΔΟΧΕΙΟ	1	131	ΕΤΙΚΕΤΑ ΕΝΔΕΙΞΗΣ	1
090	ΕΤΙΚΕΤΑ ΕΝΔΕΙΞΗΣ	1	132	ΚΑΛΥΜΜΑ ΜΟΤΕΡ Α ΠΛΗΡΕΣ	1
091	ΟΠΗ ΑΠΟΣΤΡΑΓΓΙΣΗΣ	1	133	ΠΡΟΕΙΔΟΠΟΙΗΤΙΚΗ ΕΤΙΚΕΤΑ	1
092	+ ΒΙΔΑ ΔΙΣΚΟΕΙΔΟΥΣ ΚΕΦΑΛΗΣ M5x10	11	134	+ ΛΑΜΑΡΙΝΟΒΙΔΑ 4x18	9
093	ΕΛΑΤΗΡΙΩΤΟΣ ΔΑΚΤΥΛΙΟΣ 5	11			
094	ΕΠΙΠΕΔΗ ΡΟΔΕΛΑ 5	11			
095	ΚΑΛΥΜΜΑ ΠΛΕΥΡΙΚΟΥ ΠΛΑΙΣΙΟΥ	1			
096	ΠΛΕΥΡΙΚΟ ΠΛΑΙΣΙΟ	1			
097	ΠΛΗΡΕΣ ΠΛΑΙΣΙΟ	1			
098	ΠΟΔΙ	4			
099	ΠΕΡΙΒΛΗΜΑ 6	4			
100	ΕΠΙΠΕΔΗ ΡΟΔΕΛΑ 6	4			
101	ΜΠΟΥΛΟΝΙ ΕΞΑΓΩΝΗΣ ΚΟΙΛΗΣ ΚΕΦΑΛΗΣ M6x12	4			
102	ΕΠΙΠΕΔΗ ΡΟΔΕΛΑ 6	4			
103	ΕΞΑΓ. ΠΑΞΙΜΑΔΙ M6	8			
104	ΕΛΑΤΗΡΙΩΤΟΣ ΔΑΚΤΥΛΙΟΣ 6	8			
105	ΕΞΑΓ. ΠΑΞΙΜΑΔΙ M5	2			
106	ΣΩΛΗΝΑΣ 8	1			
107	ΣΥΓΚΡΟΤΗΜΑ ΜΠΡΟΣΤΙΝΟΥ ΠΛΑΙΣΙΟΥ	1			
108	+ ΒΙΔΑ ΔΙΣΚΟΕΙΔΟΥΣ ΚΕΦΑΛΗΣ M5x16	3			
109	ΕΛΑΤΗΡΙΩΤΟΣ ΔΑΚΤΥΛΙΟΣ 5	3			
110	ΕΠΙΠΕΔΗ ΡΟΔΕΛΑ 5	3			
111	ΜΠΡΟΣΤΙΝΟ ΠΛΑΙΣΙΟ	1			
112	ΚΑΛΥΜΜΑ ΜΕΤΡΗΤΗ	3			
113	ΕΤΙΚΕΤΑ ΕΝΔΕΙΞΗΣ	1			
114	ΒΑΛΒΙΔΑ ΑΣΦΑΛΕΙΑΣ ΠΛΗΡΗΣ 10	1			
115	ΠΟΛΛΑΠΛΗ L	1			
116	ΚΥΛΙΝΔΡΙΚΟ ΣΤΟΙΧΕΙΟ ΣΥΝΔΕΣΗΣ R1/4-30	6			
117	ΤΑΧΥΣΥΝΔΕΣΜΟΣ L R1/4	2			
118	ΤΑΠΑ ΛΑΜΑΡΙΝΟΒΙΔΑΣ R1/4	5			
119	ΡΥΘΜΙΣΤΗΣ L	1			
120	ΕΤΙΚΕΤΑ ΕΝΔΕΙΞΗΣ	1			
121	ΕΝΩΣΗ ΜΕΤΡΗΤΗ ΠΙΕΣΗΣ	2			
122	ΜΕΤΡΗΤΗΣ ΠΙΕΣΗΣ L	1			

POLSKI

Nr	Nazwa części	Ilość			
001	ŚRUBA Z ŁBEM SZEŚCIOKĄTNYM M6x90	4	041	PODKŁADKA PŁASKA 8	4
002	PODKŁADKA SPRĘŻYSTA 6	4	042	GŁOWICA CYLINDRA H	1
003	PODKŁADKA PŁASKA 6	4	043	USZCZELKA GŁOWICY H	1
004	GŁOWICA CYLINDRA L	1	044	PŁYTKA ZAWORU H KPL	1
005	USZCZELKA GŁOWICY L	1	045	USZCZELKA CYLINDRA H	1
006	PŁYTKA ZAWORU L KPL	1	046	CYLINDER H (50Hz)	1
007	ZAWÓR WYLOTOWY	2	047	OBSADA L	1
008	ZAWÓR WLOTOWY	2	048	OBSADA H	1
009	USZCZELKA CYLINDRA L	1	049	NAKRĘTKA SZEŚCIOKĄTNA M8	1
010	CYLINDER L (50Hz)	1	050	ŚCIEG KONDENSATORA	1
011	KOLANKO 8-R1/4	4	051	ŚRUBA Z ŁBEM SZEŚCIOKĄTNYM M6x40	8
012	PIERŚCIEŃ 8	4	052	PODKŁADKA PŁASKA 6	4
013	NAKRĘTKA PIERŚCIENIA 8	4	053	TULEJA 6	4
014	KOLANKO 10-R3/8	1	054	PODKŁADKA MIĘKKA	4
015	PIERŚCIEŃ 10	1	055	SKRZYNIA KORBOWA	1
016	NAKRĘTKA PIERŚCIENIA 10	1	056	ŁOŻYSKO KULKOWE 6305LLB	1
017	KORBOWÓD L	1	057	USTALACZ ŁOŻYSKA	1
018	PIERŚCIEŃ BLASZANY L	1	058	ŚRUBA Z ŁBEM STOŻKOWYM PŁASKIM M5x16	3
019	SPRĘŻYNA PŁYTKOWA L	1	059	STOJAN	1
020	ŁOŻYSKO L	1	060	KLUCZ 6	1
021	NAKRĘTKA SZEŚCIOKĄTNA18	1	061	WIRNIK	1
022	SPRĘŻYNA STOŻKOWA 18	1	062	ŁOŻYSKO KULKOWE 6303LLB	1
023	STABILIZATOR L (50Hz)	1	063	PIERŚCIEŃ "O" 49	1
024	PRZEKŁADKA	3	064	WSPORNIK TYLNY	1
025	PRZEKŁADKA KORBY L	1	065	PODKŁADKA PŁASKA 5	4
026	PRZEKŁADKA KORBY H	1	066	PODKŁADKA SPRĘŻYSTA 5	4
027	+ ŚRUBA Z ŁBEM STOŻKOWYM M5x16	3	067	ŚRUBA Z ŁBEM SZEŚCIOKĄTNYM M5x150	4
028	PODKŁADKA PŁASKA 5	3	068	WENTYLATOR 195	1
029	+ WKRĘT SAMOGWINTUJĄCY 4x18	3	069	PIERŚCIEŃ USTALAJĄCY 14	1
030	POKRYWA FILTRA	1	070	POKRYWA SILNIKA B	1
031	FILTR	1	071	TULEJA	1
032	POKRYWA SKRZYNI KORBOWEJ	1	072	WYŁĄCZNIK TERMICZNY	1
033	PIERŚCIEŃ "O" 147	1	073	POKRYWA SILNIKA C	1
034	KORBOWÓD H	1	074	KABEL ZASILANIA	1
035	PIERŚCIEŃ BLASZANY H	1	075	KABEL	1
036	SPRĘŻYNA PŁYTKOWA H	1	076	ZWORNIK	2
037	ŁOŻYSKO H	1	077	PRZEŁĄCZNIK	1
038	RURA 8	1	078	NAKRĘTKA PIERŚCIENIA 6	1
039	ŚRUBA Z ŁBEM SZEŚCIOKĄTNYM M8x70	4	079	RURA 6	1
040	PODKŁADKA SPRĘŻYSTA 8	4	080	ZŁĄCZKA WKRĘTNA TULEI 1/4-30	1

081	ZAWÓR ZWROTNY	1	123	RURA ROZGAŁĘNA A	1
082	PIERŚCIEŃ 6	1	124	CIŚNIENIOMIERZ H	2
083	NAKRĘTKA PIERŚCIENIA 6	1	125	REGULATOR H	1
084	PIERŚCIEŃ 10	1	126	NAKLEJKA IDENT.	1
085	NAKRĘTKA PIERŚCIENIA 10	1	127	RURA ROZGAŁĘNA H	1
086	RURA 10	1	128	SZYBKOZŁĄCZE H R1/4 - ŚRUBA LEWA	2
087	WTYCZKA 1/2	2	129	TULEJA GUMOWA	2
088	USZCZELKA GUMOWA 20	2	130	ZAWÓR BEZPIECZEŃSTWA 30	1
089	ZBIORNIK KPL.	1	131	NAKLEJKA IDENT.	1
090	NAKLEJKA IDENT.	1	132	POKRYWA SILNIKA A KPL.	1
091	GNIAZDO SPUSTOWE	1	133	NAKLEJKA OSTRZEGAWCZA	1
092	+ ŚRUBA Z ŁBEM STOŻKOWYM M5x10	11	134	+ WKRĘT SAMOGWINTUJĄCY 4x18	9
093	PODKŁADKA SPRĘŻYSTA 5	11			
094	PODKŁADKA PŁASKA 5	11			
095	POKRYWA PANELU BOCZNEGO	1			
096	PANEL BOCZNY	1			
097	PŁOMIEŃ KPL.	1			
098	STOPKA	4			
099	TULEJA 6	4			
100	PODKŁADKA PŁASKA 6	4			
101	ŚRUBA Z ŁBEM SZEŚCIOKĄTNYM M6x12	4			
102	PODKŁADKA PŁASKA 6	4			
103	NAKRĘTKA SZEŚCIOKĄTNA M6	8			
104	PODKŁADKA SPRĘŻYSTA 6	8			
105	NAKRĘTKA SZEŚCIOKĄTNA M5	2			
106	RURA 8	1			
107	PANEL PRZEDNI	1			
108	+ ŚRUBA Z ŁBEM STOŻKOWYM M5x16	3			
109	PODKŁADKA SPRĘŻYSTA 5	3			
110	PODKŁADKA PŁASKA 5	3			
111	PANEL PRZEDNI	1			
112	POKRYWA NARZĘDZIA POMIAROWEGO	3			
113	NAKLEJKA IDENT.	1			
114	ZAWÓR BEZPIECZEŃSTWA 10	1			
115	RURA ROZGAŁĘNA L	1			
116	ZŁĄCZKA WKRĘTNA TULEI 6/4-30	1			
117	SZYBKOZŁĄCZE L R1/4	2			
118	WTYK ŚRUBY STOŻKOWEJ R1/4	5			
119	REGULATOR L	1			
120	NAKLEJKA IDENT.	1			
121	ZŁĄCZE CIŚNIENIOMIERZA	2			
122	CIŚNIENIOMIERZ	1			

LATVIEŠU

No.	Detalās nosaukums	SKAITS			
001	SEŠSTŪRA GALVAS BULTSKRŪVE M6x90	4	040	ATSPERVEIDA STARPLIKA 8	4
002	ATSPERVEIDA STARPLIKA 6	4	041	PLAKANA STARPLIKA 8	4
003	PLAKANA STARPLIKA 6	4	042	CILINDRA GALVA H	1
004	CILINDRA GALVA L	1	043	GALVAS BLĪVE H	1
005	GALVAS BLĪVE L	1	044	VĀRSTA PLĀKSNE H SALIKTA	1
006	CILINDRA PLĀKSNE L SALIKTA	1	045	CILINDRA BLĪVE H	1
007	IZPLŪDES VĀRSTS	2	046	CILINDRS H (50Hz)	1
008	IEPLŪDES VĀRSTS	2	047	UZLIKA L	1
009	CILINDRA BLĪVE L	1	048	UZLIKA H	1
010	CILINDRS L (50Hz)	1	049	SEŠSTŪRA UZGRIEZNIS M8	1
011	LEŅŅVEIDA SAVIENOJUMS 8-R1/4	4	050	KONDENSATORA KAPSULA	1
012	GREDZENS 8	4	051	SEŠSTŪRA GALVAS BULTSKRŪVE M6x40	8
013	GREDZENA UZGRIEZNIS 8	4	052	PLAKANA STARPLIKA 6	4
014	LEŅŅVEIDA SAVIENOJUMS 10-R3/8	1	053	UZMAVA 6	4
015	GREDZENS 10	1	054	KLUSINOŠA BLĪVE	4
016	GREDZENA UZGRIEZNIS 10	1	055	KARTERIS	1
017	KLAŅA L SALIKŠANA	1	056	LODĪŠU GULTNIS 6305LLB	1
018	VIRZUĻA GREDZENS L	1	057	GULTŅA AIZTURIS	1
019	SPRIEGOTĀJS L	1	058	PRETIEGRIMES GALVAS SKRŪVE M5x12	3
020	VIRZUĻA GALVA L	1	059	STATORS	1
021	SEŠSTŪRA UZGRIEZNIS M18	1	060	ĶĪLIS 6	1
022	KONISKĀ DISKVEIDA ATSPERSTARPLIKA 18	1	061	ROTORS	1
023	BALANSĒTĀJS (50Hz)	1	062	LODĪŠU GULTNIS 6303LLB	1
024	ATDALĪTĀJS	3	063	O VEIDA GREDZENS 49	1
025	KLOĶA ATDALĪTĀJS L	1	064	AIZMUGURES SKAVA	1
026	KLOĶA ATDALĪTĀJS H	1	065	PLAKANA STARPLIKA 5	4
027	+ PLAKANGALVAS SKRŪVE M5x16	3	066	ATSPERVEIDA STARPLIKA 5	4
028	PLAKANA STARPLIKA 5	3	067	SEŠSTŪRA BULTSKRŪVE M5x150	4
029	+ BLĪVSKRŪVE 4x18	3	068	VENTILATORS 195	1
030	FILTRA VĀKS	1	069	AIZTURES GREDZENS 14	1
031	FILTRS	1	070	DZINĒJA VĀKS B	1
032	KARTERA VĀKS	1	071	IEMAVA	1
033	O VEIDA GREDZENS 147	1	072	TERMĀLAIS ĶĒDES PĀRRĀVĒJS	1
034	KLAŅA H SALIKŠANA	1	073	DZINĒJA VĀKS C	1
035	VIRZUĻA GREDZENS H	1	074	ELEKTRĪBAS PADEVES KABELIS	1
036	SPRIEGOTĀJS H	1	075	VADS	1
037	VIRZUĻA GALVA H	1	076	KABEĻA SKAVA	2
038	CAURULE 8	1	077	SLĒDŽA SALIKŠANA	1
039	SEŠSTŪRA GALVAS BULTSKRŪVE M8x70	4	078	GREDZENA UZGRIEZNIS 6	1
			079	CAURULE 6	1
			080	MUCIŅVEIDA NIPELIS R1/4-30	1

081	PĀRBAUDES VĀRSTS	1	123	KOLEKTORS A	1
082	GREDZENS 6	1	124	MANOMETRS H	2
083	GREDZENA UZGRIEZNIS 6	1	125	REGULATORA H	1
084	GREDZENS 10	1	126	MARĶĒJUMS	1
085	GREDZENA UZGRIEZNIS 10	1	127	KOLEKTORS H	1
086	CAURULE 10	1	128	SAVIENOTĀJS H R1/4 KREISĀS VĪTNES	2
087	AIZBĀZNIS 1/2	2	129	GUMIJAS BLĪVE	2
088	GUMIJAS BLĪVE 20	2	130	SALIKTS DROŠĪBAS VĀRSTS 30	1
089	TVERTNE SALIKTA	1	131	MARĶĒJUMS	1
090	MARĶĒJUMS	1	132	DZINĒJA VĀKS A SALIKTS	1
091	NOPLŪDES UZMAVA	1	133	BRĪDINĀJUMS	1
092	+ PANNAS GALVAS SKRŪVE M5x10	11	134	+ BLĪVSKRŪVE 4x18	9
093	ATSPERVEIDA STARPLIKA 5	11			
094	PLAKANA STARPLIKA 5	11			
095	SĀNU PANEĻA VĀKS	1			
096	SĀNU PANELIS	1			
097	RĀMIS SALIKTS	1			
098	PĒDA	4			
099	UZMAVA 6	4			
100	PLAKANA STARPLIKA 6	4			
101	SEŠSTŪRA GALVAS BULTSKRŪVE M6x12	4			
102	PLAKANA STARPLIKA 6	4			
103	SEŠSTŪRA UZGRIEZNIS M6	8			
104	ZOBAINĀ STARPLIKA 6	8			
105	SEŠSTŪRA UZGRIEZNIS M5	2			
106	CAURULE 8	1			
107	PRIEKŠĒJĀ PANEĻA SALIKŠANA	1			
108	+ PLAKANGALVAS SKRŪVE M5x16	3			
109	ATSPERVEIDA STARPLIKA 5	3			
110	PLAKANA STARPLIKA 5	3			
111	PRIEKŠĒJAIS PANELIS	1			
112	MANOMETRA VĀKS	3			
113	MARĶĒJUMS	1			
114	SALIKTS DROŠĪBAS VĀRSTS 10	1			
115	KOLEKTORS L	1			
116	MUCIŅVEIDA NĪPELIS R1/4-30	6			
117	SAVIENOTĀJS L R1/4	2			
118	URBJSKRŪVES DĪBELIS R1/4	5			
119	REGULATORA L	1			
120	MARĶĒJUMS	1			
121	MANOMETRA SAVIENOJUMS	2			
122	MANOMETRS L	1			

EESTI

Nr	Osa nimetus	TK			
001	KUUSKANTSOKLIGA POLT M6x90	4	042	PLOKIKAAS H	1
002	VEDRUSEIB 6	4	043	SILINDRI KAAS H	1
003	LAPIKSEIB 6	4	044	KLAPI PLAAT H KOMPLEKTNE	1
004	SILINDRI KAAS L	1	045	SILINDRI TIHEND H	1
005	KAANE TIHEND L	1	046	SILINDER H (50Hz)	1
006	KLAPI PLAAT L KOMPLEKTNE	1	047	TIHEND L	1
007	VÄLJALASKEKLAPP	2	048	TIHEND H	1
008	SISSELASKEKLAPP	2	049	KUUSKANTMUTTER M8	1
009	SILINDRI TIHEND L	1	050	KÄITUSKONDENSAATOR	1
010	SILINDER L (50Hz)	1	051	KUUSKANTSOKLIGA POLT M6x40	8
011	PÕLV 8-R1/4	4	052	LAPIKSEIB 6	4
012	RÕNGAS 8	4	053	HÜLSS 6	4
013	RÕNGASMUTTER 8	4	054	TIHEND	4
014	PÕLV 10-R3/8	1	055	KARTER	1
015	RÕNGAS 10	1	056	KUULLAAGER 6305LLB	1
016	RÕNGASMUTTER 10	1	057	KUULLAAGRI SEPARAATOR	1
017	ÜHENDUSVARRAS L MOODUL	1	058	PEITPEAGA KRUVI M5x12	3
018	KOLVIRÕNGAS L	1	059	STAATOR	1
019	LEHTVEDRU L	1	060	VÕTI 6	1
020	TIHEND L	1	061	ROOTOR	1
021	KUUSKANTMUTTER M18	1	062	KUULLAAGER 6303LLB	1
022	TALDRIKVEDRU 18	1	063	O-RÕNGAS 49	1
023	TASAKAALUSTUSSEADE L (50Hz)	1	064	TAGUMINE SULGUR	1
024	VAHEPUKS	3	065	LAPIKSEIB 5	4
025	KARTERI PUKS L	1	066	VEDRUSEIB 5	4
026	KARTERI PUKS H	1	067	KUUSKANTPOLT M5x150	4
027	+ MADALLAIPEAKRUVI M5x16	3	068	VENTILAATOR 195	1
028	LAPIKSEIB 5	3	069	FIKSEERIMISRÕNGAS 14	1
029	+ KEERMEKRUVI 4x18	3	070	MOOTORI KATE B	1
030	FILTRI KAAS	1	071	PUKS	1
031	FILTER	1	072	TERMOKAITSE	1
032	KARTERI KATE	1	073	MOOTORI KAAS C	1
033	O-RÕNGAS 147	1	074	TOITEJUHE	1
034	ÜHENDUSVARRAS H MOODUL	1	075	JUHE	1
035	KOLVIRÕNGAS H	1	076	VASTASKRUIID	2
036	LEHTVEDRU H	1	077	LÜLITIMOODUL	1
037	TIHEND H	1	078	RÕNGASMUTTER 6	1
038	TORU 8	1	079	TORU 6	1
039	KUUSKANTSOKLIGA POLT M8x70	4	080	TRUMMELNIPPEL R1/4-30	1
040	VEDRUSEIB 8	4	081	TAGASILÖÖGIKLAPP	1
041	LAPIKSEIB 8	4	082	RÕNGAS 6	1
			083	RÕNGASMUTTER 6	1

084	RÕNGAS 10	1
085	RÕNGASMUTTER 10	1
086	TORU 10	1
087	KORK 1/2	2
088	KUMMITIHEND 20	2
089	PAAK TERVIKUNA	1
090	SILT	1
091	ÄRAVOOLUOTSAK	1
092	+ MADALLAIPEAKRUVI M5x10	11
093	VEDRUSEIB 5	11
094	LAPIKSEIB 5	11
095	KÜLGPANEELI KINNITUS	1
096	KÜLGPANEEL	1
097	RAAM TERVIKUNA	1
098	JALG	4
099	HÜLSS 6	4
100	LAPIKSEIB 6	4
101	KUUSKANTSOKLIGA POLT M6x12	4
102	LAPIKSEIB 6	4
103	KUUSKANTMUTTER M6	8
104	VEDRUSEIB 6	8
105	KUUSKANTMUTTER M5	2
106	TORU 8	1
107	ESIPANEELI MOODUL	1
108	+ MADALLAIPEAKRUVI M5x16	3
109	VEDRUSEIB 5	3
110	LAPIKSEIB 5	3
111	KÜLGPANEEL	1
112	AVA KATTEKRAE	3
113	SILT	1
114	KAITSEKLAPI OTSAK 10	1
115	KOLLEKTOR L	1
116	TRUMMELNIPPEL R1/4-30	6
117	KIIRÜHENDUS L R1/4	2
118	KOONILINE KRUVIPESA R1/4	5
119	REGULAATOR L	1
120	SILT	1
121	MANOMEETRI MUHV	2
122	MANOMEETER L	1
123	KOLLEKTOR A	1
124	MANOMEETER H	2
125	REGULAATOR H	1
126	SILT	1

127	KOLLEKTOR H	1
128	KIIRÜHENDUS H R1/4 VASAK KRUVI	2
129	KUMMIHÜLSS	2
130	KAITSEKLAPI OTSAK 30	1
131	SILT	1
132	MOOTORI KATE A KOMPLEKTNE	1
133	HOIATUSSILT	1
134	+ KEERMEKRUVI 4x18	9

LIETUVIŲ KALBA

Nr.	Detalės pavadinimas	Kiekis			
001	ŠEŠIABRIAUNĖS LIZDINĖS GALVUTĖS VARŽTAS M6x90	4	040	TVIRTINAMOJI POVERŽLĖ 8	4
002	TVIRTINAMOJI POVERŽLĖ 6	4	041	PLOKŠČIA POVERŽLĖ 8	4
003	PLOKŠČIA POVERŽLĖ 6	4	042	CILINDRO GALVUTĖ H	1
004	CILINDRO GALVUTĖ L	1	043	GALVUTĖS GAUBTUVAS H	1
005	GALVUTĖS GAUBTUVAS L	1	044	VOŽTUVO PLOKŠTELĖ H PILNA	1
006	VOŽTUVO PLOKŠTELĖ L PILNA	1	045	CILINDRO GAUBTUVAS H	1
007	IŠLEIDIMO VOŽTUVAS	2	046	CILINDRAS H (50 Hz)	1
008	IŠLEIDIMO VOŽTUVAS	2	047	SUJUNGIKLIS L	1
009	CILINDRO GAUBTUVAS L	1	048	SUJUNGIKLIS H	1
010	CILINDRAS L (50 Hz)	1	049	ŠEŠIABRIAUNĖ VERŽLĖ M8	1
011	KAMPAINIS 8-R1/4	4	050	KONDENSATORIAUS TRASA	1
012	ŽIEDAS 8	4	051	ŠEŠIABRIAUNĖS LIZDINĖS GALVUTĖS VARŽTAS M6x40	8
013	ŽIEDO VERŽLĖ 8	4	052	PLOKŠČIA POVERŽLĖ 6	4
014	KAMPAINIS 10-R3/8	1	053	MOVA 6	4
015	ŽIEDAS 10	1	054	APSAUGA	4
016	ŽIEDO VERŽLĖ 10	1	055	SKRIEJIKO DĖŽUTĖ	1
017	JUNGIAMOJI TRAUKLĖ L SURINKIMAS	1	056	GUOLIS 6305LLB	1
018	LAKŠTINIS ŽIEDAS L	1	057	GUOLIO LAIKIKLIS	1
019	LAKŠTINĖ SPYRUOKLĖ L	1	058	VARŽTAS LYGIA GALVUTE M5x12	3
020	APMOVAS L	1	059	STATORIUS	1
021	ŠEŠIABRIAUNĖ VERŽLĖ M18	1	060	RAKTAS 6	1
022	KŪGINĖ DISKO SPYRUOKLĖ 18	1	061	ROTORIUS	1
023	KOMPENSATORIUS (50Hz)	1	062	GUOLIS 6303LLB	1
024	SKYRIKLIS	3	063	„O“ FORMOS ŽIEDAS 49	1
025	SKRIEJIKO SKYRIKLIS L	1	064	GALINĖ GEMBĖ	1
026	SKRIEJIKO SKYRIKLIS H	1	065	PLOKŠČIA POVERŽLĖ 5	4
027	+ VARŽTAS PLOKŠČIA NUOLAIDŽIA GALVUTE M5x16	3	066	TVIRTINAMOJI POVERŽLĖ 5	4
028	PLOKŠČIA POVERŽLĖ 5	3	067	ŠEŠIABRIAUNIS VARŽTAS M5x150	4
029	+ NUSMAILINTAS VARŽTAS 4x18	3	068	VENTILIATORIUS 195	1
030	FILTRO DANGTELIS	1	069	PRILAIKOMASIS ŽIEDAS 14	1
031	FILTRAS	1	070	VARIKLIO DANGTIS B	1
032	SKRIEJIKO DĖŽUTĖS DANGTELIS	1	071	APMUŠAS	1
033	„O“ FORMOS ŽIEDAS 147	1	072	ŠILUMINĖS GRANDINĖS PERTRAUKIKLIS	1
034	JUNGIAMOJI TRAUKLĖ H SURINKIMAS	1	073	VARIKLIO DANGTIS C	1
035	LAKŠTINIS ŽIEDAS H	1	074	MAITINIMO LAIDAS	1
036	LAKŠTINĖ SPYRUOKLĖ H	1	075	LAIDAS	1
037	APMOVAS H	1	076	SAVARA	2
038	VAMZDELIS 8	1	077	JUNGIKLIO SURINKIMAS	1
039	ŠEŠIABRIAUNĖS LIZDINĖS GALVUTĖS VARŽTAS M8x70	4	078	ŽIEDO VERŽLĖ 6	1
			079	VAMZDELIS 6	1
			080	VAMZDELIO ĮMOVA R1/4-30	1

081	KONTROLINIS VOŽTUVAS	1
082	ŽIEDAS 6	1
083	ŽIEDO VERŽLĖ 6	1
084	ŽIEDAS 10	1
085	ŽIEDO VERŽLĖ 10	1
086	VAMZDELIS 10	1
087	JUNGTIS 1/2	2
088	GUMINIS SANDARIKLIS 20	2
089	VISAS BAKAS	1
090	NURODOMOJI ETIKETĖ	1
091	NUTEKĖJIMO LIZDAS	1
092	+ VARŽTAS PLOKŠČIA NUOLAIDŽIA GALVUTE M5x10	11
093	TVIRTINAMOJI POVERŽLĖ 5	11
094	PLOKŠČIA POVERŽLĖ 5	11
095	ŠONINIO SKYDO DANGTIS	1
096	ŠONINIS SKYDAS	1
097	VISAS KARKASAS	1
098	KOJA	4
099	MOVA 6	4
100	PLOKŠČIA POVERŽLĖ 6	4
101	ŠEŠIABRIAUNĖS LIZDINĖS GALVUTĖS VARŽTAS M6x12	4
102	PLOKŠČIA POVERŽLĖ 6	4
103	ŠEŠIABRIAUNĖ VERŽLĖ M6	8
104	TVIRTINAMOJI POVERŽLĖ 6	8
105	ŠEŠIABRIAUNĖ VERŽLĖ M5	2
106	VAMZDELIS 8	1
107	PRIEKINIO SKYDO SURINKIMAS	1
108	+ VARŽTAS PLOKŠČIA NUOLAIDŽIA GALVUTE M5x16	3
109	TVIRTINAMOJI POVERŽLĖ 5	3
110	PLOKŠČIA POVERŽLĖ 5	3
111	PRIEKINIS SKYDAS	1
112	MATUOKLIO DANGTELIS	3
113	NURODOMOJI ETIKETĖ	1
114	VISAS SAUGOS VOŽTUVAS 10	1
115	VAMZDYNAS L	1
116	VAMZDELIO ĮMOVA R1/4-30	6
117	SPARTUSIS SUJUNGIKLIS L R1/4	2
118	NUSMAILINTO VARŽTO JUNGTIS R1/4	5
119	REGULIATORIUS L	1
120	NURODOMOJI ETIKETĖ	1
121	SLĖGIO MATUOKLIO SUJUNGIMAS	2

122	SLĖGIO MATUOKLIS	1
123	VAMZDYNAS A	1
124	SLĖGIO MATUOKLIS H	2
125	REGULIATORIUS H	1
126	NURODOMOJI ETIKETĖ	1
127	VAMZDYNAS H	1
128	SPARTUSIS SUJUNGIKLIS H R1/4 KAIRYSIS VARŽTAS	2
129	GUMINĖ MOVA	2
130	VISAS SAUGOS VOŽTUVAS 30	1
131	NURODOMOJI ETIKETĖ	1
132	VARIKLIO DANGTIS A VISAS	1
133	PERSPĖJAMOJI ETIKETĖ	1
134	+ NUSMAILINTAS VARŽTAS 4x18	9

MAGYAR

Sorszám	Alkatrész neve	Mennyiség			
001	IMBUSZFEJŰ CSAVAR M6x90	4	042	FELSŐ HENGERFEJ	1
002	RUGÓS ALÁTÉT 6	4	043	FELSŐ HENGERFEJTÖMÍTÉS	1
003	LAPOS ALÁTÉT 6	4	044	FELSŐ TELJES SZELEPLEMEZ	1
004	ALSÓ HENGERFEJ	1	045	FELSŐ HENGERFEJTÖMÍTÉS	1
005	ALSÓ HENGERFEJTÖMÍTÉS	1	046	FELSŐ HENGER (50 Hz)	1
006	ALSÓ TELJES SZELEPLEMEZ	1	047	ALSÓ SZINTEZŐLÉC	1
007	KIÖMLŐSZELEP	2	048	FELSŐ SZINTEZŐLÉC	1
008	BEÖMLŐSZELEP	2	049	HATLAPFEJŰ ANYACSAVAR M8	1
009	ALSÓ HENGERFEJTÖMÍTÉS	1	050	TÖLTÉSTÁROLÓ	1
010	ALSÓ HENGER (50 Hz)	1	051	IMBUSZFEJŰ CSAVAR M6x40	8
011	KÖNYÖK 8-R1/4	4	052	LAPOS ALÁTÉT 6	4
012	GYŰRŰ 8	4	053	PERSELY 6	4
013	GYŰRŰANYA 8	4	054	PÁRNA	4
014	KÖNYÖK 10-R3/8	1	055	KARHÁZ	1
015	GYŰRŰ 10	1	056	GOLYÓSCSAPÁGY 6305LLB	1
016	GYŰRŰANYA 10	1	057	CSAPÁGYRÖGZÍTŐ	1
017	ALSÓ HAJTÓKAR SZERELVÉNY	1	058	SÜLLYESZTETTFEJŰ CSAVAR M5x12	3
018	ALSÓ LEMEZGYŰRŰ	1	059	ÁLLÓRÉSZ	1
019	ALSÓ LEMEZRUGÓ	1	060	ÉK 6	1
020	ALSÓ KOPÓGYŰRŰ	1	061	FORGÓRÉSZ	1
021	HATLAPFEJŰ ANYACSAVAR M18	1	062	GOLYÓSCSAPÁGY 6303LLB	1
022	KÚPOS KORONGRUGÓ 18	1	063	O-GYŰRŰ 49	1
023	KIEGYENLÍTŐ (50 Hz)	1	064	HÁTSÓ TÁMASZTÉK	1
024	TÁVTARTÓ	3	065	LAPOS ALÁTÉT 5	4
025	ALSÓ TÁVTARTÓ KORONG	1	066	RUGÓS ALÁTÉT 5	4
026	TÁVTARTÓ KORONG	1	067	HATLAPFEJŰ CSAVAR M5x150	4
027	+ HORONYFEJŰ CSAVAR M5x16	3	068	VENTILÁTOR 195	1
028	LAPOS ALÁTÉT 5	3	069	TARTÓGYŰRŰ 14	1
029	+ MENETFŰRŐ CSAVAR 4x18	3	070	B MOTORBURKOLAT	1
030	SZŰRŐ FEDŐLAP	1	071	PERSELY	1
031	SZŰRŐ	1	072	TERMIKUS VÉDŐKAPCSOLÓ	1
032	KARHÁZ FEDŐLAP	1	073	C MOTORBURKOLAT	1
033	O-GYŰRŰ 147	1	074	ELEKTROMOS TÁPKÁBEL	1
034	FELSŐ HAJTÓKAR SZERELVÉNY	1	075	VEZETÉK	1
035	FELSŐ LEMEZGYŰRŰ	1	076	CSAVAROS SZORÍTÓ	2
036	FELSŐ LEMEZRUGÓ	1	077	KAPCSOLÓSZERELVÉNY	1
037	FELSŐ KOPÓGYŰRŰ	1	078	GYŰRŰANYA 6	1
038	CSŐ 8	1	079	CSŐ 6	1
039	IMBUSZFEJŰ CSAVAR M8x70	4	080	TARTÁLYHOLLANDI R1/4-30	1
040	RUGÓS ALÁTÉT 8	4	081	ELLENŐRZŐSZELEP	1
041	LAPOS ALÁTÉT 8	4	082	GYŰRŰ 6	1

083	GYŰRŰANYA 6	1
084	GYŰRŰ 10	1
085	GYŰRŰANYA 10	1
086	CSŐ 10	1
087	DUGÓ 1/2	2
088	GUMITÖMÍTŐ 20	2
089	TELJES TARTÁLY	1
090	CÍMKE	1
091	LEERESZTŐCSAP	1
092	+ HORONYFEJŰ CSAVAR M5x10	11
093	RUGÓS ALÁTÉT 5	11
094	LAPOS ALÁTÉT 5	11
095	OLDALPANEL FEDŐLAP	1
096	OLDALPANEL	1
097	TELJES KERET	1
098	TALP	4
099	PERSELY 6	4
100	LAPOS ALÁTÉT 6	4
101	IMBUSZFEJŰ CSAVAR M6x12	4
102	LAPOS ALÁTÉT 6	4
103	HATLAPFEJŰ ANYACSAVAR M6	8
104	RUGÓS ALÁTÉT 6	8
105	HATLAPFEJŰ ANYACSAVAR M5	2
106	CSŐ 8	1
107	ELŐLAPI SZERELVÉNY	1
108	+ HORONYFEJŰ CSAVAR M5x16	3
109	RUGÓS ALÁTÉT 5	3
110	LAPOS ALÁTÉT 5	3
111	ELŐLAP	1
112	MÉRŐ FEDŐLAP	3
113	CÍMKE	1
114	TELJES BIZTONSÁGI SZELEP 10	1
115	ALSÓ ELOSZTÓ	1
116	TARTÁLYHOLLANDI R1/4-30	6
117	ALSÓ GYORSCSATOLÓ R1/4	2
118	KÚPOS CSAVARDUGASZ R1/4	5
119	ALSÓ SZABÁLYZÓ	1
120	CÍMKE	1
121	NYOMÁSMÉRŐ CSATLAKOZÓ	2
122	ALSÓ NYOMÁSMÉRŐ	1
123	A ELOSZTÓ	1
124	FELSŐ NYOMÁSMÉRŐ	2
125	FELSŐ SZABÁLYZÓ	1

126	CÍMKE	1
127	FELSŐ ELOSZTÓ	1
128	FELSŐ GYORSCSATOLÓ R1/4 BAL CSAVAR	2
129	GUMITÖMÍTŐ	2
130	TELJES BIZTONSÁGI SZELEP 30	1
131	CÍMKE	1
132	TELJES A MOTORBURKOLAT	1
133	FIGYELMEZTETŐ CÍMKE	1
134	+ MENETFŰRŐ CSAVAR 4x18	9

ROMÂNĂ

Nr.	Denumire piesă	Cantitate
001	ȘURUB CU CAP CU LOCAȘ HEXAGONAL M6x90	4
002	ȘAIBĂ GROWER 6	4
003	ȘAIBĂ PLATĂ 6	4
004	CHIULASĂ S	1
005	GARNITURĂ CAP S	1
006	SET PLACĂ SUPAPĂ S	1
007	SUPAPĂ EVACUARE	2
008	SUPAPĂ ADMISIE	2
009	GARNITURĂ CILINDRU S	1
010	CILINDRU S (50 Hz)	1
011	COT 8-R1/4	4
012	INEL 8	4
013	PIULIȚĂ INELARĂ 8	4
014	COT 10-R3/8	1
015	INEL 10	1
016	PIULIȚĂ INELARĂ 10	1
017	ANSAMBLU BIELĂ S	1
018	INEL FOAIE S	1
019	ARC CU FOI S	1
020	CĂMAȘĂ S	1
021	PIULIȚĂ HEXAGONALĂ M18	1
022	ARC DISC CONIC 18	1
023	BALANSIER (50 Hz)	1
024	DISTANȚIER	3
025	DISTANȚIER ARBORE COTIT S	1
026	DISTANȚIER ARBORE COTIT H	1
027	+ ȘURUB CU CAP PLAN M5x16	3
028	ȘAIBĂ PLATĂ 5	3
029	+ ȘURUB AUTOFILETANT 4x18	3
030	CAPAC FILTRU	1
031	FILTRU	1
032	CAPAC CARTER	1
033	ORING 147	1
034	ANSAMBLU BIELĂ H	1
035	INEL FOAIE H	1
036	ARC CU FOI H	1
037	CĂMAȘĂ H	1
038	CONDUCTĂ 8	1
039	ȘURUB CU CAP CU LOCAȘ HEXAGONAL M8x70	4
040	ȘAIBĂ GROWER 8	4

041	ȘAIBĂ PLATĂ 8	4
042	CHIULASĂ H	1
043	GARNITURĂ CAP H	1
044	SET PLACĂ SUPAPĂ H	1
045	GARNITURĂ CILINDRU H	1
046	CILINDRU H (50 Hz)	1
047	PIESĂ DE ADAOS S	1
048	PIESĂ DE ADAOS H	1
049	PIULIȚĂ HEXAGONALĂ M8	1
050	CONDENSATOR	1
051	ȘURUB CU CAP CU LOCAȘ HEXAGONAL M6x40	8
052	ȘAIBĂ PLATĂ 6	4
053	BUCȘĂ 6	4
054	TAMPON	4
055	CARTER	1
056	RULMENT CU BILE 6305LLB	1
057	INEL DE REȚINERE RULMENT	1
058	ȘURUB CU CAP ÎNECAT M5x12	3
059	STATOR	1
060	PANĂ 6	1
061	ROTOR	1
062	RULMENT CU BILE 6303LLB	1
063	ORING 49	1
064	CONSOLĂ SPATE 10	1
065	ȘAIBĂ PLATĂ 5	4
066	ȘAIBĂ GROWER 5	4
067	ȘURUB HEXAGONAL M5x150	4
068	VENTILATOR 195	1
069	INEL DE REȚINERE 14	1
070	CAPAC MOTOR B	1
071	BUCȘĂ	1
072	DISJUNCTOR TERMIC	1
073	CAPAC MOTOR C	1
074	CABLU DE ALIMENTARE	1
075	CABLU	1
076	COAD CRAMP	2
077	ANSAMBLU COMUTATOR	1
078	PIULIȚĂ INELARĂ 6	1
079	CONDUCTĂ 6	1
080	NIPLU REZERVOR R1/4-30	1
081	SUPAPĂ DE REȚINERE	1

082	INEL 6	1
083	PIULIȚĂ INELARĂ 6	1
084	INEL 10	1
085	PIULIȚĂ INELARĂ 10	1
086	CONDUCTĂ 10	1
087	BUȘON 1/2	2
088	GARNITURĂ DIN CAUCIUC 20	2
089	ANSAMBLU REZERVOR	1
090	ETICHETĂ INDICATOARE	1
091	ȘTUȚ DE GOLIRE	1
092	+ ȘURUB CU CAP PLAN M5x10	11
093	ȘAIBĂ GROWER 5	11
094	ȘAIBĂ PLATĂ 5	11
095	CAPAC PANOU LATERAL	1
096	PANOU LATERAL	1
097	ANSAMBLU APRINDERE	1
098	PICIOR	4
099	BUCȘĂ 6	4
100	ȘAIBĂ PLATĂ 6	4
101	ȘURUB CU CAP CU LOCAȘ HEXAGONAL M6x12	4
102	ȘAIBĂ PLATĂ 6	4
103	PIULIȚĂ HEXAGONALĂ M6	8
104	ȘAIBĂ GROWER 6	8
105	PIULIȚĂ HEXAGONALĂ M5	2
106	CONDUCTĂ 8	1
107	ANSAMBLU PANOU FRONTAL	1
108	+ ȘURUB CU CAP PLAN M5x16	3
109	ȘAIBĂ GROWER 5	3
110	ȘAIBĂ PLATĂ 5	3
111	PANOU FRONTAL	1
112	CAPAC APARAT INDICATOR	3
113	ETICHETĂ INDICATOARE	1
114	ANSAMBLU SUPAPĂ DE SIGURANȚĂ 10	1
115	GALERIE S	1
116	NIPLU REZERVOR R1/4-30	6
117	CUPLĂ RAPIDĂ S R1/4	2
118	BUȘON CONIC FILETAT R1/4	5
119	REGULATOR S	1
120	ETICHETĂ INDICATOARE	1
121	RACORD MANOMETRU	2
122	MANOMETRU S	1
123	GALERIE A	1

124	MANOMETRU H	2
125	REGULATOR H	1
126	ETICHETĂ INDICATOARE	1
127	GALERIE H	1
128	CUPLĂ RAPIDĂ H R1/4 CU FILET STÂNGA	2
129	MANȘON DIN CAUCIUC	2
130	ANSAMBLU SUPAPĂ DE SIGURANȚĂ 30	1
131	ETICHETĂ INDICATOARE	1
132	ANSAMBLU CAPAC MOTOR A	1
133	ETICHETĂ DE AVERTIZARE	1
134	+ ȘURUB AUTOFILETANT 4x18	9

SLOVENČINA

Č.	Názov súčiastky	Množstvo			
001	SKRUTKA S HLAVOU SO ŠEŠŤHRANNÝM OTVOROM M6x90	4	040	PRUŽINOVÁ PODLOŽKA 8	4
002	PRUŽINOVÁ PODLOŽKA 6	4	041	PLOCHÁ PODLOŽKA 8	4
003	PLOCHÁ PODLOŽKA 6	4	042	HLAVA VALCA H	1
004	HLAVA VALCA L	1	043	TESNENIE HLAVY H	1
005	TESNENIE HLAVY L	1	044	ZOSTAVA VENTILOVEJ DOSKY H	1
006	ZOSTAVA VENTILOVEJ DOSKY L	1	045	TESNENIE VALCA H	1
007	VYPÚŠŤACÍ VENTIL	2	046	VALEC H (50 Hz)	1
008	PLNIACI VENTIL	2	047	PODPERA L	1
009	TESNENIE VALCA L	1	048	PODPERA H	1
010	VALEC L (50 Hz)	1	049	ŠEŠŤHRANNÁ MATICA M8	1
011	KOLENO 8-R1/4	4	050	BLOK KONDENZÁTORA	1
012	KRÚŽOK 8	4	051	SKRUTKA S HLAVOU SO ŠEŠŤHRANNÝM OTVOROM M6x40	8
013	KRUHOVÁ MATICA 8	4	052	PLOCHÁ PODLOŽKA 6	4
014	KOLENO 10-R3/8	1	053	OBJÍMKA 6	4
015	KRÚŽOK 10	1	054	VLOŽKA	4
016	KRUHOVÁ MATICA 10	1	055	KL'UKOVÁ SKRIŇA	1
017	ZOSTAVA SPOJOVACEJ TYČE L	1	056	GUL'ŔČKOVÉ LOŽISKO 6305LLB	1
018	PLOCHÝ KRÚŽOK L	1	057	PRIDRŽOVAČ LOŽISKA	1
019	ROZŤAHOVACÍ KRÚŽOK L	1	058	SKRUTKA SO ZAPUSTENOU HLAVOU M5x16	3
020	TRECÍ KRÚŽOK L	1	059	STATOR	1
021	ŠEŠŤHRANNÁ MATICA M18	1	060	KL'ÚČ 6	1
022	KÓNICKÁ DISKOVÁ PRUŽINA 18	1	061	ROTOR	1
023	KOMPENZÁTOR L (50 Hz)	1	062	GUL'ŔČKOVÉ LOŽISKO 6303LLB	1
024	ROZPIERKA	3	063	TESNIACI O KRÚŽOK 49	1
025	ROZPIERKA KL'UKY L	1	064	ZADNÁ PODPORA	1
026	ROZPIERKA KL'UKY H	1	065	PLOCHÁ PODLOŽKA 5	4
027	+ SKRUTKA S MISKOVITOU HLAVOU M5x16	3	066	PRUŽINOVÁ PODLOŽKA 5	4
028	PLOCHÁ PODLOŽKA 5	3	067	ŠEŠŤHRANNÁ SKRUTKA M5x150	4
029	+ ZÁVITOREZNÁ SKRUTKA 4x18	3	068	VENTILÁTOR 195	1
030	KRYT FILTRA	1	069	PODPORNÝ KRÚŽOK 14	1
031	FILTER	1	070	KRYT MOTORA B	1
032	KRYT KL'UKOVEJ SKRINE	1	071	OBJÍMKA	1
033	TESNIACI O KRÚŽOK 147	1	072	TEPLTNÝ PRERUŠOVAČ OBVODU	1
034	ZOSTAVA SPOJOVACEJ TYČE H	1	073	KRYT MOTORA C	1
035	PLOCHÝ KRÚŽOK H	1	074	PRÍVODNÝ SIEŤOVÝ KÁBEL	1
036	ROZŤAHOVACÍ KRÚŽOK H	1	075	KÁBEL	1
037	TRECÍ KRÚŽOK H	1	076	SPOJOVACIA PRÍCHYTKA	2
038	RÚRKA 8	1	077	ZOSTAVA SPÍNAČA	1
039	SKRUTKA S HLAVOU SO ŠEŠŤHRANNÝM OTVOROM M7x70	4	078	KRUHOVÁ MATICA 6	1
			079	RÚRKA 6	1
			080	DVOJITÁ VSUVKA R1/4-30	1

081	POISTNÝ VENTIL	1
082	KRÚŽOK 6	1
083	KRUHOVÁ MATICA 6	1
084	KRÚŽOK 10	1
085	KRUHOVÁ MATICA 10	1
086	RÚRKA 10	1
087	ZÁVITOVKA 1/2	2
088	GUMENÉ TESNIENIE 20	2
089	ZOSTAVA NÁDRŽE	1
090	ŠTÍTOK S OZNAČENÍM	1
091	VYPÚŠŤACÍ NÁTRUBOK	1
092	+ SKRUTKA S MISKOVITOU HLAVOU M5x10	11
093	PRUŽINOVÁ PODLOŽKA 5	11
094	PLOCHÁ PODLOŽKA 5	11
095	KRYT BOČNÉHO PANELU	1
096	BOČNÝ PANEL	1
097	ZOSTAVA RÁMU	1
098	PÄTKA	4
099	OBJÍMKA 6	4
100	PLOCHÁ PODLOŽKA 6	4
101	SKRUTKA S HLAVOU SO ŠEŠŤHRANNÝM OTVOROM M6x12	4
102	PLOCHÁ PODLOŽKA 6	4
103	ŠEŠŤHRANNÁ MATICA M6	8
104	PRUŽINOVÁ PODLOŽKA 6	8
105	ŠEŠŤHRANNÁ MATICA M5	2
106	RÚRKA 8	1
107	ZOSTAVA PREDNÉHO PANELU	1
108	+ SKRUTKA S MISKOVITOU HLAVOU M5x16	3
109	PRUŽINOVÁ PODLOŽKA 5	3
110	PLOCHÁ PODLOŽKA 5	3
111	PREDNÝ PANEL	1
112	KRYT MERADLA	3
113	ŠTÍTOK S OZNAČENÍM	1
114	ZOSTAVA BEZPEČNOSTNÉHO VENTILU 10	1
115	RÚRKA L	1
116	DVOJITÁ VSUVKA R1/4-30	6
117	RÝCHLOSPOJKA L R1/4	2
118	ROZVODOVÁ ZÁVITOVKA R1/4	5
119	REGULÁTOR L	1
120	ŠTÍTOK S OZNAČENÍM	1
121	SPOJ TLAKOMERU	2

122	TLAKOMERU L	1
123	RÚRKA A	1
124	TLAKOMERU H	2
125	REGULÁTOR H	1
126	ŠTÍTOK S OZNAČENÍM	1
127	RÚRKA H	1
128	RÝCHLOSPOJKA H R1/4 ĽAVOTOČIVÁ	2
129	GUMOVÁ OBJÍMKA	2
130	ZOSTAVA BEZPEČNOSTNÉHO VENTILU 30	1
131	ŠTÍTOK S OZNAČENÍM	1
132	ZOSTAVA KRYTU MOTORA	1
133	ŠTÍTOK S UPOZORNENÍM	1
134	+ ZÁVITOREZNÁ SKRUTKA 4x18	9

ČESKY

Č.	Název dílu	POČET
001	ŠROUB S VNITŘNÍM ŠESTIHRANEM M 6 x 90	4
002	PÉROVÁ PODLOŽKA 6	4
003	PLOCHÁ PODLOŽKA 6	4
004	HLAVA VÁLCE L	1
005	TĚSNĚNÍ HLAVY L	1
006	SESTAVA VENTILOVÉ DESKY L	1
007	VÝSTUPNÍ VENTIL	2
008	VSTUPNÍ VENTIL	2
009	TĚSNĚNÍ VÁLCE L	1
010	VÁLEC L (50 Hz)	1
011	KOLENO 8-R 1/4	4
012	KROUŽEK 8	4
013	KRUHOVÁ MATICE 8	4
014	KOLENO 10-R 3/8	1
015	KROUŽEK 10	1
016	KRUHOVÁ MATICE 10	1
017	SESTAVA OJNICE L	1
018	PÍSTNÍ KROUŽEK L	1
019	LISTOVÁ PRUŽINA L	1
020	TĚSNICÍ TŘECÍ KROUŽEK L	1
021	ŠESTIHRANNÁ MATICE M 18	1
022	KUŽELOVÁ PRUŽNÁ PODLOŽKA 18	1
023	VYVAŽOVACÍ TĚLESO (50 Hz)	1
024	DISTANČNÍ PODLOŽKA	3
025	DISTANČNÍ PODLOŽKA KLIKY L	1
026	DISTANČNÍ PODLOŽKA KLIKY H	1
027	+ ŠROUB S VÁLCOVOU HLAVOU M 5 x 16	3
028	PLOCHÁ PODLOŽKA 5	3
029	+ ZÁVITOREZNÝ ŠROUB 4 x 18	3
030	KRYT FILTRU	1
031	FILTR	1
032	KRYT KLIKOVÉ SKŘÍŇE	1
033	O-KROUŽEK 147	1
034	SESTAVA OJNICE H	1
035	PÍSTNÍ KROUŽEK H	1
036	LISTOVÁ PRUŽINA H	1
037	TĚSNICÍ TŘECÍ KROUŽEK H	1
038	TRUBIČKA 8	1
039	ŠROUB S VNITŘNÍM ŠESTIHRANEM M 8 x 70	4

040	PÉROVÁ PODLOŽKA 8	4
041	PLOCHÁ PODLOŽKA 8	4
042	HLAVA VÁLCE H	1
043	TĚSNĚNÍ HLAVY H	1
044	SESTAVA VENTILOVÉ DESKY H	1
045	TĚSNĚNÍ VÁLCE H	1
046	VÁLEC H (50 Hz)	1
047	PRUŽNÁ VYCPÁVKA L	1
048	PRUŽNÁ VYCPÁVKA H	1
049	ŠESTIHRANNÁ MATICE M 8	1
050	KONDENZÁTOR	1
051	ŠROUB S VNITŘNÍM ŠESTIHRANEM M 6 x 40	8
052	PLOCHÁ PODLOŽKA 6	4
053	POUZDRO 6	4
054	SILENTBLOK	4
055	KLIKOVÁ SKŘÍŇ	1
056	KULIČKOVÉ LOŽISKO 6305LLB	1
057	PŘÍRUBA LOŽISKA	1
058	ŠROUB SE ZÁPUSTNOU HLAVOU M 5 x 12	3
059	STATOR	1
060	PERO 6	1
061	ROTOR	1
062	KULIČKOVÉ LOŽISKO 6303LLB	1
063	O-KROUŽEK 49	1
064	ZADNÍ VÍKO	1
065	PLOCHÁ PODLOŽKA 5	4
066	PÉROVÁ PODLOŽKA 5	4
067	ŠESTIHRANNÝ ŠROUB M 5 x 150	4
068	VENTILÁTOR 195	1
069	POJISTNÝ KROUŽEK 14	1
070	KRYT MOTORU B	1
071	POUZDRO	1
072	TEPELNÝ VYPÍNAČ	1
073	KRYT MOTORU C	1
074	NAPÁJECÍ KABEL	1
075	KABEL	1
076	PŘÍCHYTKA KABELU	2
077	SESTAVA VYPÍNAČE	1
078	KRUHOVÁ MATICE 6	1
079	TRUBIČKA 6	1
080	DVOJITÁ VSUVKA R 1/4-30	1

081	POJISTNÝ VENTIL	1
082	KROUŽEK 6	1
083	KRUHOVÁ MATICE 6	1
084	KROUŽEK 10	1
085	KRUHOVÁ MATICE 10	1
086	TRUBIČKA 10	1
087	ZÁTKA 1/2	2
088	PRYŽOVÉ TĚSNĚNÍ 20	2
089	SESTAVA TLAKOVÉ NÁDOBY	1
090	ŠTÍTEK SE ZNAČKOU	1
091	VYPOUŠTĚCÍ KOHOUT	1
092	+ ŠROUB S VÁLCOVOU HLAVOU M 5 x 10	11
093	PÉROVÁ PODLOŽKA 5	11
094	PLOCHÁ PODLOŽKA 5	11
095	KRYT BOČNÍHO PANELU	1
096	BOČNÍ PANEL	1
097	SESTAVA RÁMU	1
098	PATKA	4
099	POUZDRO 6	4
100	PLOCHÁ PODLOŽKA 6	4
101	ŠROUB S VNITŘNÍM ŠESTIHRANEM M 6 x 12	4
102	PLOCHÁ PODLOŽKA 6	4
103	ŠESTIHRANNÁ MATICE M 6	8
104	PÉROVÁ PODLOŽKA 6	8
105	ŠESTIHRANNÁ MATICE M 5	2
106	TRUBIČKA 8	1
107	SESTAVA PŘEDNÍHO PANELU	1
108	+ ŠROUB S VÁLCOVOU HLAVOU M 5 x 16	3
109	PÉROVÁ PODLOŽKA 5	3
110	PLOCHÁ PODLOŽKA 5	3
111	PŘEDNÍ PANEL	1
112	KRYT MĚŘICÍHO PŘÍSTROJE	3
113	ŠTÍTEK SE ZNAČKOU	1
114	SESTAVA BEZPEČNOSTNÍHO VENTILU 10	1
115	ROZDĚLOVACÍ KUS L	1
116	DVOJITÁ VSUVKA R 6/4-30	1
117	RYCHLOSPOJKA L R 1/4	2
118	KUŽELOVÁ ŠROUBOVACÍ ZÁTKA R 1/4	5
119	REGULÁTOR L	1
120	ŠTÍTEK SE ZNAČKOU	1
121	PŘÍPOJKA TLAKOMĚRU	2

122	TLAKOMĚR L	1
123	ROZDĚLOVACÍ KUS A	1
124	TLAKOMĚR H	2
125	REGULÁTOR H	1
126	ŠTÍTEK SE ZNAČKOU	1
127	ROZDĚLOVACÍ KUS H	1
128	RYCHLOSPOJKA H R 1/4 S LEVÝM ZÁVITEM	2
129	PRYŽOVÉ POUZDRO	2
130	SESTAVA BEZPEČNOSTNÍHO VENTILU 30	1
131	ŠTÍTEK SE ZNAČKOU	1
132	SESTAVA KRYTU MOTORU A	1
133	ŠTÍTEK S UPOZORNĚNÍM	1
134	+ ZÁVITOŘEZNÝ ŠROUB 4 x 18	9

УКРАЇНЬСЬКА

№.	Назва деталі	К-СТЬ			
001	БОЛТ ІЗ ШЕСТИГРАННИМ ЗАГЛИБЛЕННЯМ М6х90	4	040	ПРУЖИННА ШАЙБА 8	4
002	ПРУЖИННА ШАЙБА 6	4	041	ПЛОСКА ШАЙБА 8	4
003	ПЛОСКА ШАЙБА 6	4	042	ГОЛОВКА ЦИЛІНДРА Н	1
004	ГОЛОВКА ЦИЛІНДРА L	1	043	ПРОКЛАДКА ГОЛОВКИ Н	1
005	ПРОКЛАДКА ГОЛОВКИ L	1	044	ПЛАСТИНА КЛАПАНА Н У КОМПЛЕКТІ	1
006	ПЛАСТИНА КЛАПАНА L У КОМПЛЕКТІ	1	045	ПРОКЛАДКА ЦИЛІНДРА Н	1
007	ВИПУСКНИЙ КЛАПАН	2	046	ЦИЛІНДР Н (50Гц)	1
008	ВПУСКНИЙ КЛАПАН	2	047	ВКЛАДКА L	1
009	ПІДКЛАДКА ЦИЛІНДРА L	1	048	ВКЛАДКА L	1
010	ЦИЛІНДР L (50Гц)	1	049	ШЕСТИГРАННА ГАЙКА М18	1
011	КУТОВИЙ ПАТРУБОК 8-R1/4	4	050	КОНДЕНСАТОР	1
012	КІЛЬЦЕ 8	4	051	БОЛТ ІЗ ШЕСТИГРАННИМ ЗАГЛИБЛЕННЯМ М6х40	8
013	КІЛЬЦЕВА ГАЙКА 8	4	052	ПЛОСКА ШАЙБА 6	4
014	КУТОВИЙ ПАТРУБОК 10-R3/8	1	053	ВТУЛКА 6	4
015	КІЛЬЦЕ 10	1	054	ЗАГЛУШКА	4
016	КІЛЬЦЕВА ГАЙКА 10	1	055	КРИВОШИПНА КАМЕРА	1
017	ШАТУН L У КОМПЛЕКТІ	1	056	ШАРИКОПІДШИПНИК 6305LLB	1
018	КІЛЬЦЕ L	1	057	СЕПАРАТОР ШАРИКОПІДШИПНИКА	1
019	ПЛАСТИНЧАСТА ПРУЖИНА L	1	058	ГВИНТ ІЗ ПОТАЄМНОЮ ГОЛОВКОЮ М5х12	3
020	КОМПЕНСАЦІЙНЕ КІЛЬЦЕ L	1	059	СТАТОР	1
021	ШЕСТИГРАННА ГАЙКА М18	1	060	ШПОНКА 6	1
022	КОНУСНА ДИСКОВА ПРУЖИНА 18	1	061	РОТОР	1
023	БАЛАНСІР L (50Гц)	1	062	ШАРИКОПІДШИПНИК 6303LLB	1
024	РОЗПОРКА	3	063	УЩІЛЬНЮЮЧЕ КІЛЬЦЕ 49	1
025	ПРОКЛАДКА КРИВОШИПА L	1	064	ЗАДНЯ КРИШКА	1
026	ПРОКЛАДКА КРИВОШИПА Н	1	065	ПЛОСКА ШАЙБА 5	4
027	+ ГВИНТ ІЗ ЦИЛІНДРИЧНОЮ ГОЛОВКОЮ М5х16	3	066	ПРУЖИННА ШАЙБА 5	4
028	ПЛОСКА ШАЙБА 5	3	067	ШЕСТИГРАННИЙ БОЛТ М5х150	4
029	+ САМОНАРІЗНИЙ ГВИНТ 4х18	3	068	ВЕНТИЛЯТОР 195	1
030	КРИШКА ФІЛЬТРА	1	069	СТОПОРНЕ КІЛЬЦЕ 14	1
031	ФІЛЬТР	1	070	КРИШКА ДВИГУНА В	1
032	КРИШКА КРИВОШИПНОЇ КАМЕРИ	1	071	ВТУЛКА	1
033	УЩІЛЬНЮЮЧЕ КІЛЬЦЕ 147	1	072	ТЕПЛОВИЙ ВИМИКАЧ	1
034	ШАТУН Н КОМПЛЕКТІ	1	073	КРИШКА ДВИГУНА С	1
035	КІЛЬЦЕ Н	1	074	ШНУР ЖИВЛЕННЯ	1
036	ПЛАСТИНЧАСТА ПРУЖИНА Н	1	075	ШНУР	1
037	КОМПЕНСАЦІЙНЕ КІЛЬЦЕ Н	1	076	ЗАГЛУШКА	2
038	ТРУБКА 8	1	077	ПЕРЕМИКАЧ У КОМПЛЕКТІ	1
039	БОЛТ ІЗ ШЕСТИГРАННИМ ЗАГЛИБЛЕННЯМ М8х70	4	078	КІЛЬЦЕВА ГАЙКА 6	1
			079	ТРУБКА 6	1
			080	ШТУЦЕР R1/4-30	1

081	КОНТРОЛЬНИЙ КЛАПАН	1
082	КІЛЬЦЕ 6	1
083	КІЛЬЦЕВА ГАЙКА 6	1
084	КІЛЬЦЕ 10	1
085	КІЛЬЦЕВА ГАЙКА 10	1
086	ТРУБКА 10	1
087	ЗАГЛУШКА 1/2	2
088	ГУМОВА ПРОКЛАДКА 20	2
089	КОМПРЕСОР У ЗБОРІ	1
090	ФІРМОВИЙ ЗНАК	1
091	ДРЕНАЖНА ВТУЛКА	1
092	+ ГВИНТ ІЗ ЦИЛІНДРИЧНОЮ ГОЛОВКОЮ М5x10	11
093	ПРУЖИННА ШАЙБА 5	11
094	ПЛОСКА ШАЙБА 5	11
095	КРИШКА БОКОВОЇ ПАНЕЛІ	1
096	БОКОВА ПАНЕЛЬ	1
097	ФЛЕЙМ У ЗБОРІ	1
098	НІЖКА	4
099	ВТУЛКА 6	4
100	ПЛОСКА ШАЙБА 6	4
101	БОЛТ ІЗ ШЕСТИГРАННИМ ЗАГЛИБЛЕННЯМ М6x12	4
102	ПЛОСКА ШАЙБА 6	4
103	ШЕСТИГРАННА ГАЙКА М6	8
104	ПРУЖИННА ШАЙБА 6	8
105	ШЕСТИГРАННА ГАЙКА М5	2
106	ТРУБКА 8	1
107	СКЛАДАННЯ ПЕРЕДНЬОЇ ПАНЕЛІ	1
108	+ ГВИНТ ІЗ ЦИЛІНДРИЧНОЮ ГОЛОВКОЮ М5x16	3
109	ПРУЖИННА ШАЙБА 5	3
110	ПЛОСКА ШАЙБА 5	3
111	ПЕРЕДНЯ ПАНЕЛЬ	1
112	КРИШКА ПРИЛАДІВ	3
113	ФІРМОВИЙ ЗНАК	1
114	ЗАПОБІЖНИЙ КЛАПАН У КОМПЛЕКТІ 10	1
115	ПАТРУБОК L	1
116	ШТУЦЕР R1/4-30	6
117	ШВИДКА МУФТА L R1/4	2
118	ЗАГЛУШКА З КОНІЧНОЮ РІЗЬБОЮ R1/4	5
119	РЕГУЛЯТОР L	1
120	ФІРМОВИЙ ЗНАК	1

121	МАНОМЕТР	2
122	ТРИМАЧ МАНОМЕТРА L	1
123	ПАТРУБОК А	1
124	МАНОМЕТР Н	2
125	РЕГУЛЯТОР Н	1
126	ФІРМОВИЙ ЗНАК	1
127	ПАТРУБОК Н	1
128	ШВИДКА МУФТА Н R1/4 ЛІВИЙ ГВИНТ	2
129	ГУМОВИЙ РУКАВ	2
130	ЗАПОБІЖНИЙ КЛАПАН У КОМПЛЕКТІ 30	1
131	ФІРМОВИЙ ЗНАК	1
132	КРИШКА ДВИГУНА В КОМПЛЕКТІ	1
133	ЗАСТЕРЕЖНА НАКЛЕЙКА	1
134	+ САМОНАРІЗНИЙ ГВИНТ 4x18	9

РУССКИЙ ЯЗЫК

№	Наименование детали	Кол-во			
001	БОЛТ С ШЕСТИГРАННОЙ ГОЛОВКОЙ М6х90	4	039	БОЛТ С ВНУТРЕННИМ ШЕСТИГРАННИКОМ М8х70	4
002	ГРОВЕРНАЯ ШАЙБА 6	4	040	ГРОВЕРНАЯ ШАЙБА 8	4
003	ПЛОСКАЯ ШАЙБА 6	4	041	ПЛОСКАЯ ШАЙБА 8	4
004	ГОЛОВКА ЦИЛИНДРА Л	1	042	ГОЛОВКА ЦИЛИНДРА П	1
005	ПРОКЛАДКА ГОЛОВКИ ЦИЛИНДРА Л	1	043	ПРОКЛАДКА ГОЛОВКИ ЦИЛИНДРА П	1
006	ПЛАСТИНА КЛАПАНА Л В СБОРЕ	1	044	ПЛАСТИНА КЛАПАНА П В СБОРЕ	1
007	ВЫПУСКНОЙ КЛАПАН	2	045	ПРОКЛАДКА ГОЛОВКИ БЛОКА ЦИЛИНДРОВ П	1
008	ВПУСКНОЙ КЛАПАН	2	046	ЦИЛИНДР П (50 Гц)	1
009	ПРОКЛАДКА ГОЛОВКИ БЛОКА ЦИЛИНДРОВ Л	1	047	НАБИВКА Л	1
010	ЦИЛИНДР Л (50 Гц)	1	048	НАБИВКА П	1
011	УГОЛЬНИК 8-R1/4	4	049	ШЕСТИГРАННАЯ ГАЙКА М8	1
012	КОЛЬЦО 8	4	050	КОНДЕНСАТОР	1
013	КРУГЛАЯ ГАЙКА 8	4	051	БОЛТ С ШЕСТИГРАННОЙ ГОЛОВКОЙ М6х40	8
014	УГОЛЬНИК 10-R3/8	1	052	ПЛОСКАЯ ШАЙБА 6	4
015	КОЛЬЦО 10	1	053	ВТУЛКА 6	4
016	КРУГЛАЯ ГАЙКА 10	1	054	УПРУГАЯ ПРОКЛАДКА	4
017	СОЕДИНИТЕЛЬНАЯ ТЯГА Л В СБОРЕ	1	055	КАРТЕР ДВИГАТЕЛЯ	1
018	УПЛОТНИТЕЛЬНОЕ КОЛЬЦО Л	1	056	ШАРОВАЯ ОПОРА 6305LLB	1
019	ПЛАСТИНЧАТАЯ ПРУЖИНА Л	1	057	ДЕРЖАТЕЛЬ ПОДШИПНИКА	1
020	ВКЛАДЫШ Л	1	058	ВИНТ С ПОТАЙНОЙ ГОЛОВКОЙ М5х12	3
021	ШЕСТИГРАННАЯ ГАЙКА М18	1	059	СТАТОР	1
022	КОНУСНАЯ ТАРЕЛЬЧАТАЯ ПРУЖИНА 18	1	060	ШПОНКА 6	1
023	СТАБИЛИЗАТОР (50 Гц)	1	061	РОТОР	1
024	ПРОСТАВКА	3	062	ШАРОВАЯ ОПОРА 6303LLB	1
025	ПРОСТАВКА КОЛЕНВАЛА Л	1	063	УПЛОТНИТЕЛЬНОЕ КОЛЬЦО 49	1
026	ПРОСТАВКА КОЛЕНВАЛА П	1	064	ЗАДНИЙ КРОНШТЕЙН	1
027	+ ВИНТ СО СКРУГЛЕННОЙ ГОЛОВКОЙ М5х16	3	065	ПЛОСКАЯ ШАЙБА 5	4
028	ПЛОСКАЯ ШАЙБА 5	3	066	ГРОВЕРНАЯ ШАЙБА 5	4
029	+ САМОНАРЕЗАЮЩИЙСЯ ВИНТ 4х18	3	067	БОЛТ С ШЕСТИГРАННОЙ ГОЛОВКОЙ М5х150	4
030	КРЫШКА ФИЛЬТРА	1	068	КРЫЛЬЧАТКА 195	1
031	ФИЛЬТР	1	069	СТОПОРНОЕ КОЛЬЦО 14	1
032	КРЫШКА КАРТЕРА ДВИГАТЕЛЯ	1	070	КРЫШКА ДВИГАТЕЛЯ В	1
033	УПЛОТНИТЕЛЬНОЕ КОЛЬЦО 147	1	071	ВТУЛКА	1
034	СОЕДИНИТЕЛЬНАЯ ТЯГА П В СБОРЕ	1	072	ТЕПЛОЙ ВЫКЛЮЧАТЕЛЬ	1
035	УПЛОТНИТЕЛЬНОЕ КОЛЬЦО П	1	073	КРЫШКА ЭЛЕКТРОДВИГАТЕЛЯ С	1
036	ПЛАСТИНЧАТАЯ ПРУЖИНА П	1	074	СЕТЕВОЙ ШНУР	1
037	ВКЛАДЫШ П	1	075	ШНУР	1
038	ПАТРУБОК 8	1	076	ЗАЖИМ ШНУРА	2
			077	ПЕРЕКЛЮЧАТЕЛЬ В СБОРЕ	1
			078	КРУГЛАЯ ГАЙКА 6	1

079	ПАТРУБОК 6	1
080	СГОН R1/4-30	1
081	СТОПОРНЫЙ КЛАПАН	1
082	КОЛЬЦО 6	1
083	КРУГЛАЯ ГАЙКА 6	1
084	КОЛЬЦО 10	1
085	КРУГЛАЯ ГАЙКА 10	1
086	ПАТРУБОК 10	1
087	ЗАГЛУШКА 1/2	2
088	РЕЗИНОВОЕ УПЛОТНЕНИЕ 20	2
089	БАК В СБОРЕ	1
090	ФАБРИЧНАЯ ТАБЛИЧКА	1
091	СЛИВНОЙ КЛАПАН	1
092	+ ВИНТ СО СКРУГЛЕННОЙ ГОЛОВКОЙ М5х10	11
093	ГРОВЕРНАЯ ШАЙБА 5	11
094	ПЛОСКАЯ ШАЙБА 5	11
095	КРЫШКА БОКОВОЙ ПАНЕЛИ	1
096	БОКОВАЯ ПАНЕЛЬ	1
097	РАМА В СБОРЕ	1
098	НОЖКА	4
099	ВТУЛКА 6	4
100	ПЛОСКАЯ ШАЙБА 6	4
101	БОЛТ С ШЕСТИГРАННОЙ ГОЛОВКОЙ М6х12	4
102	ПЛОСКАЯ ШАЙБА 6	4
103	ШЕСТИГРАННАЯ ГАЙКА М6	8
104	ГРОВЕРНАЯ ШАЙБА 6	8
105	ШЕСТИГРАННАЯ ГАЙКА М5	2
106	ПАТРУБОК 8	1
107	ПЕРЕДНЯЯ ПАНЕЛЬ В СБОРЕ	1
108	+ ВИНТ СО СКРУГЛЕННОЙ ГОЛОВКОЙ М5х16	3
109	ГРОВЕРНАЯ ШАЙБА 5	3
110	ПЛОСКАЯ ШАЙБА 5	3
111	ПЕРЕДНЯЯ ПАНЕЛЬ	1
112	КРЫШКА КОНТРОЛЬНО-ИЗМЕРИТЕЛЬНОГО ПРИБОРА	3
113	ФАБРИЧНАЯ ТАБЛИЧКА	1
114	ПРЕДОХРАНИТЕЛЬНЫЙ КЛАПАН В СБОРЕ 10	1
115	КОЛЛЕКТОР Л	1
116	СГОН R1/4-30	6
117	БЫСТРОСМЕННАЯ МУФТА Л R1/4	2
118	КОНИЧЕСКАЯ ЗАГЛУШКА С РЕЗИНОВОЙ ПРОКЛАДКОЙ R1/4	5


119	РЕГУЛЯТОР Л	1
120	ФАБРИЧНАЯ ТАБЛИЧКА	1
121	СОЕДИНЕНИЕ МАНОМЕТРА	2
122	МАНОМЕТР Л	1
123	КОЛЛЕКТОР А	1
124	МАНОМЕТР П	2
125	РЕГУЛЯТОР П	1
126	ФАБРИЧНАЯ ТАБЛИЧКА	1
127	КОЛЛЕКТОР П	1
128	ЛЕВЫЙ БОЛТ БЫСТРОСМЕННОЙ МУФТЫ П R1/4	2
129	РЕЗИНОВАЯ ВТУЛКА	2
130	ПРЕДОХРАНИТЕЛЬНЫЙ КЛАПАН В СБОРЕ 30	1
131	ФАБРИЧНАЯ ТАБЛИЧКА	1
132	КРЫШКА ЭЛЕКТРОДВИГАТЕЛЯ А В СБОРЕ	1
133	ТАБЛИЧКА С ПРЕДОСТЕРЕЖЕНИЕМ	1
134	+ САМОНАРЕЗАЮЩИЙСЯ ВИНТ 4х18	9

EC Declaration of Conformity

We herewith declare, Makita Corporation
3-11-8, SUMIYOSHI-CHO, ANJO, AICHI 446-8502
JAPAN

that the following machine complies with the appropriate basic safety and health requirements of the EC Directive based on its design and type, as brought into circulation by us.

In case of alteration of the machine, not agreed upon by us, this declaration will lose its validity.

Machine Description: Air compressor
Machine Type: AC310H
Trade name: -
Serial Number: -
Applicable EC Directives: EC Machinery Directive: **98/37/EC**
EC-Low voltage directive **2006/95/EEC**
Applicable Harmonized Standards: EN 1012-1:1996; EN 60204-1:2006
Authorised Signature/Date: November 24, 2008
Title of Signatory: Director: Tomoyasu Kato 

This Declaration of Conformity has been prepared by TÜV Product Service. A specimen of this product meets the requirements of conformity test carried out by TÜV Product Service according with the applicable standards under the mentioned directives.

TÜV Product Service report reference no.: 70.403.08.323.01
Date: November 24, 2008


Revision 0

Déclaration de conformité CE

Par la présente, nous déclarons Makita Corporation
3-11-8, SUMIYOSHI-CHO, ANJO, AICHI 446-8502
JAPON

que l'appareil suivant est conforme aux exigences de la directive européenne relative à la sécurité et la santé de base correspondantes en ce qui concerne sa conception et son type, à la date de sa mise en circulation par nos soins.

En cas de modification de l'appareil non autorisée par nous, la présente déclaration sera déclarée nulle.

Description de l'appareil : Compresseur d'air
Type de l'appareil : AC310H
Appellation commerciale : -
Numéro de série : -
Directives européennes applicables : Directive européenne relative aux machines : **98/37/CE**
Directive européenne relative à la basse tension **2006/95/CEE**
Normes harmonisées applicables : EN 1012-1:1996; EN 60204-1:2006
Signature du responsable/date : 24 novembre 2008
Titre du signataire : Directeur : Tomoyasu Kato 

La présente Déclaration de conformité a été préparée par TÜV Product Service. Un spécimen du présent produit est conforme aux exigences du test de conformité réalisé par TÜV Product Service, conformément aux lois applicables dans les directives mentionnées.

N° de référence du rapport TÜV Product Service : 70.403.08.323.01
Date : 24 novembre 2008

Révision 0


EG-Konformitätserklärung

Hiermit erklären wir,

Makita Corporation
3-11-8, SUMIYOSHI-CHO, ANJO, AICHI 446-8502
JAPAN

daß die nachfolgend bezeichnete Maschine aufgrund ihrer Konzipierung und Bauart sowie in der von uns in Verkehr gebrachten Ausführung den einschlägigen grundlegenden Sicherheits- und Gesundheitsanforderungen der EG-Richtlinien entspricht.

Bei einer nicht mit uns abgestimmten Änderung der Maschine verliert diese Erklärung ihre Gültigkeit.

Bezeichnung der Maschine: Druckluftkompressor
Maschinentyp: AC310H
Handelsmarke: -
Maschinen-Nr.: -
Einschlägige EG-Richtlinien: EG-Maschinenrichtlinie **98/37EG**
EG-Niederspannungsrichtlinie **2006/95/EWG**
Angewandte harmonisierte Normen: EN 1012-1:1996; EN 60204-1:2006
Herstellerunterschrift/Datum: 24. November 2008
Angaben zum Unterzeichner: Direktor: Tomoyasu Kato 

Diese Konformitätserklärung wurde vom TÜV Product Service vorbereitet. Ein Muster dieses Produktes hat die Anforderungen der Konformitätsprüfung erfüllt. Diese Prüfung wurde beim TÜV Product Service aufgrund der zutreffenden Vorschriften der genannten Richtlinien durchgeführt.

TÜV Product Service Prüfbericht Nr.: 70.403.08.323.01
Datum: 24. November 2008

Nachprüfung 0


Dichiarazione di conformità CE

Con la presente si dichiara,

Makita Corporation
3-11-8, SUMIYOSHI-CHO, ANJO, AICHI 446-8502
JAPAN

che il seguente apparecchio è conforme ai relativi requisiti di base in materia di sicurezza e salute previsti dalla Direttiva CE relativamente al design e al tipo, come distribuito da Makita.

In caso di alterazione dell'apparecchio non approvata da Makita, la presente dichiarazione perderà validità.

Descrizione della macchina: Compressore
Tipo macchina: AC310H
Nome commerciale: -
Numero di serie: -
Direttive CE applicabili: Direttiva macchine CE: **98/37/CE**
Direttiva basso voltaggio **2006/95/CEE**
Standard concordati applicabili: EN 1012-1:1996; EN 60204-1:2006
Firma autorizzata/Data: 24 novembre 2008
Titolo del firmatario: Direttore: Tomoyasu Kato 

La presente Dichiarazione di conformità è stata redatta da TÜV Product Service. Un campione di questo prodotto soddisfa i requisiti dei test di conformità eseguito da TÜV Product Service in base agli standard applicabili nell'ambito delle direttive summenzionate.

N. di riferimento rapporto di TÜV Product Service: 70.403.08.323.01
Data: 24 novembre 2008

Revisione 0


EU-Verklaring van Conformiteit

Wij verklaren hierbij,

Makita Corporation
3-11-8, SUMIYOSHI-CHO, ANJO, AICHI 446-8502
JAPAN

dat de volgende machine voldoet aan de toepasselijke veiligheids- en gezondheidsvereisten van de EU-richtlijn op basis van het ontwerp en type, zoals door ons in omloop gebracht.

In het geval de machine zonder onze toestemming wordt gewijzigd, verliest deze verklaring haar geldigheid.

Beschrijving van machine: Luchtcompressor
Typenummer van machine: AC310H
Handelsnaam: -
Serienummer: -
Toepasselijke EU-richtlijnen: EU-machinerichtlijn: **98/37/EC**
EU-laagspanningsrichtlijn: **2006/95/EEC**
Toepasselijke, geharmoniseerde normen: EN 1012-1:1996; EN 60204-1:2006
Handtekening van fabrikant en datum: 24 november 2008
Positie van ondergetekende: Directeur: Tomoyasu Kato 

Deze Verklaring van Conformiteit is voorbereid door TÜV Product Service. Een monster van dit product voldoet aan de vereisten van de conformiteitsproef uitgevoerd door TÜV Product Service in overeenstemming met de toepasselijke normen onder de vermelde richtlijnen.

TÜV Product Service-rapportreferentienr.: 70.403.08.323.01
Datum: 24 november 2008

Uitgave 0


Declaración de conformidad de la CE

Por el presente documento declaramos,

Makita Corporation
3-11-8, SUMIYOSHI-CHO, ANJO, AICHI 446-8502
JAPÓN

que la siguiente máquina cumple con los requisitos básicos pertinentes de seguridad y salud de la Directiva de la CE, de acuerdo con su diseño y tipo en el momento de su distribución por nuestra parte.

En caso de una alteración de la máquina no acordada por nosotros, esta declaración perderá su validez.

Descripción de la máquina: Compresor de aire
Tipo de Máquina: AC310H
Nombre comercial: -
Número de serie: -
Directivas de la CE aplicables: Directiva de maquinaria de la CE: **98/37/EC**
Directiva de baja tensión de la CE **2006/95/EEC**
Estándares armonizados aplicables: EN 1012-1:1996; EN 60204-1:2006
Firma autorizada/Fecha: 24 de noviembre de 2008
Cargo del firmante: Director: Tomoyasu Kato 

Esta Declaración de conformidad ha sido preparada por los Servicios de productos de TÜV. Un ejemplar de este producto ha superado la prueba de requisitos de conformidad realizada por los Servicios de productos de TÜV de acuerdo con los estándares aplicables en las directivas mencionadas.

Nº de referencia del Servicio de productos de TÜV: 70.403.08.323.01
Fecha: 24 de noviembre de 2008

Revisión 0


Declaração de conformidade CE

Declaramos que,

Makita Corporation
3-11-8, SUMIYOSHI-CHO, ANJO, AICHI 446-8502
JAPÃO

a máquina seguinte está em conformidade com os requisitos básicos de segurança e saúde da Directiva CE, com base na sua concepção e tipo, sendo colocada em comercialização pela empresa.

Em caso de uma alteração não autorizada da máquina, esta declaração perderá a respectiva validade.

Descrição da máquina: Compressor pneumático
Tipo de máquina: AC310H
Nome comercial: -
Número de série: -
Directivas CE aplicáveis: Directiva de máquinas CE: **98/37/EC**
Directiva de baixa tensão **CE 2006/95/EEC**
Normas harmonizadas aplicáveis: EN 1012-1:1996; EN 60204-1:2006
Data/assinatura autorizada: 24 de Novembro de 2008
Cargo do signatário: Director: Tomoyasu Kato 

Esta Declaração de Conformidade foi preparada pela TÜV Product Service. Uma amostra deste produto obedece aos requisitos do teste de conformidade levado a cabo pela TÜV Product Service, de acordo com as normas aplicáveis ao abrigo das directivas mencionadas.

N.º de referência de relatório da TÜV Product Service: 70.403.08.323.01

Data: 24 de Novembro de 2008

Revisao 0


EF-overensstemmelseserklæring

Vi erklærer hermed,

Makita Corporation
3-11-8, SUMIYOSHI-CHO, ANJO, AICHI 446-8502
JAPAN

at den følgende maskine er i overensstemmelse med de gældende grundlæggende sikkerheds- og sundhedskrav i EF-direktivet, baseret på dens design og type, sådan som den er produceret af os.

Hvis maskinen ændres på en måde, som ikke er godkendt af os, mister denne erklæring sin gyldighed.

Beskrivelse af maskinen: Luftkompressor
Maskinetype: AC310H
Varemærke: -
Serienummer: -
Gældende EF-direktiver: EF-maskindirektiv: **98/37/EC**
EF-lavspændingsdirektiv **2006/95/EEC**
Gældende harmoniserede standarder: EN 1012-1:1996; EN 60204-1:2006
Autoriseret underskrift/dato: 24. november 2008
Underskrivers titel: Direktør: Tomoyasu Kato 

Denne overensstemmelseserklæring er udarbejdet af TÜV Product Service. Et eksemplar af dette produkt lever op til kravene i den overensstemmelsestest, der udførtes af TÜV Product Service, i henhold til de gældende standarder i de nævnte direktiver.

TÜV Product Service rapportreference nr.: 70.403.08.323.01

Dato: 24. november 2008

Revision 0


EC - deklarasjon om overensstammelse

Härmed försäkras vi,

Makita Corporation
3-11-8, SUMIYOSHI-CHO, ANJO, AICHI 446-8502
JAPAN

att följande maskin som vi sätter i rörelse, oppfyller de relevanta grundkrav för sikkerhet og helsevren enligt gjällande EC-direktiv baserad på dess konstruksjon og type.

Om det görs några ändringar på maskinen som inte godkänts av oss slutar denna försäkras att gälla.

Maskinbeskrivning: Luftkompressor
Maskintyp: AC310H
Marknadsnamn: -
Serienummer: -
Tillämpliga EC-direktiv: EC-maskindirektiv: **98/37/EC**
EC-lägspsänningsdirektiv **2006/95/EEC**
Liknande tillämpliga standarder: EN 1012-1:1996; EN 60204-1:2006
Auktoriserad underskrift/datum: 24:e november, 2008
Undertecknarens titel: Verkställande VD: Tomoyasu Kato 

Denna deklarasjon om overensstammelse har färdigställt av TÜV Product Service. Ett exemplar av denna produkt tillmötesgår de krav för overensstammelsestest som utförts av TÜV Product Service enligt de tillämpliga standarder, under de nämnda direktiven.

TÜV Product Service rapportreferens nr.: 70.403.08.323.01
Datum: 24:e november, 2008

Reviderad 0


EF-samsvarserklæring

Vi erklærer herved,

Makita Corporation
3-11-8, SUMIYOSHI-CHO, ANJO, AICHI 446-8502
JAPAN

at følgende maskin oppfyller de passende grunnleggende kravene i EF-direktivet til sikkerhet og helsevren, basert på dens konstruksjon og type, som satt i omløp av oss.

Hvis denne maskinen endres uten vårt samtykke, vil denne erklæringen bli ugyldig.

Maskinbeskrivelse: Luftkompressor
Maskintype: AC310H
Handelsnavn: -
Serienummer: -
Relevante EF-direktiver: EFs maskindirektiv: **98/37/EF**
EFs lavspänningsdirektiv **2006/95/EØS**
Relevante harmoniserte standarder: EN 1012-1:1996; EN 60204-1:2006
Autorisert underskrift/dato: 24. november 2008
Underskrivendes titel: Direktør: Tomoyasu Kato 

Denne samsvarserklæringen er forberedt av TÜV Product Service. Et eksemplar av dette produktet oppfyller kravene til samsvarstesten utført av TÜV Product Service i henhold til relevante standarder under de nevnte direktivene.

TÜV Product Service-rapportreferansenr.: 70.403.08.323.01
Dato: 24. november 2008

Revisjon 0


EY-vaatimustenmukaisuusvakuutus

Vakuutamme,

Makita Corporation
3-11-8, SUMIYOSHI-CHO, ANJO, AICHI 446-8502
JAPAN

että alla yksilöity kone täyttää rakenteensa ja tyyppinsä perusteella EY-direktiivissä asetetut perusturvallisuusvaatimukset sellaisenaan kuin olemme sen markkinoille saattaneet.

Jos koneeseen tehdään muutoksia, joista ei ole sovittu Makitan kanssa, tämä vaatimustenmukaisuusvakuutus raukeaa.

Koneen kuvaus: Ilmakompressor
Koneen tyyppi: AC310H
Kauppanimi: -
Sarjanumero: -
Sovellettavat EY-direktiivit: EY-konedirektiivi: **98/37/EY**
EY-pienjännittdirektiivi **2006/95/ETY**
Sovellettavat yhdenmukaistetut standardit: EN 1012-1:1996; EN 60204-1:2006
Vahvistettu allekirjoitus/päivämäärä: 24. marraskuuta 2008
Allekirjoittaneen asema: Johtaja: Tomoyasu Kato 

Tämän vaatimustenmukaisuusvakuutuksen on laatinut TÜV Product Service. Tämän tuotteen koekappale täyttää TÜV Product Service -tarkastuslaitoksen mainittujen direktiivien perusteella sovellettavien standardien mukaisesti suorittaman vaatimustenmukaisuuskoeen vaatimukset.

TÜV Product Service -raportin viitenumero: 70.403.08.323.01
Päivämäärä: 24. marraskuuta 2008

Versio 0


EK – Δήλωση συμμόρφωσης

Με το παρόν δηλώνουμε,

Makita Corporation
3-11-8, SUMIYOSHI-CHO, ANJO, AICHI 446-8502
ΙΑΠΩΝΙΑ

ότι το παρακάτω μηχάνημα συμμορφώνεται με τις κατάλληλες βασικές απαιτήσεις ασφάλειας και υγείας της Οδηγίας της ΕΚ βασιζόμενο στο σχεδιασμό και στον τύπο του όπως κυκλοφόρησε στο εμπόριο από εμάς.

Στην περίπτωση τροποποίησης του μηχανήματος, χωρίς την σύμφωνη γνώμη μας, η δήλωση αυτή είναι άκυρη.

Περιγραφή του μηχανήματος: Αεροσυμπιεστής
Τύπος μηχανήματος: AC310H
Εμπορική ονομασία: -
Σειριακός αριθμός: -
Εφαρμοστές οδηγίες της ΕΚ: Οδηγία μηχανημάτων ΕΚ: **98/37/ΕΚ**
ΕΚ-Οδηγία χαμηλής τάσης **2006/95/ΕΟΚ**
Εφαρμοστέα εναρμονισμένα πρότυπα: EN 1012-1:1996; EN 60204-1:2006
Εξουσιοδοτημένη υπογραφή/Ημερομηνία: 24 Νοεμβρίου 2008
Τίτλος του υπογράφοντος: Διευθυντής: Tomoyasu Kato 

Αυτή η δήλωση συμμόρφωσης έχει ετοιμαστεί από την ΤάV Product Service. Ένα δείγμα του προϊόντος αυτού ανταποκρίθηκε στις απαιτήσεις του ελέγχου συμβατότητας που εκτελέστηκε από την ΤάV Product Service σύμφωνα με τα εφαρμοστέα πρότυπα που αναφέρονται στις προαναφερόμενες οδηγίες.

Αριθμός αναφοράς έκθεσης της ΤάV Product Service: 70.403.08.323.01
Ημερομηνία: 24 Νοεμβρίου 2008

Αναθεώρηση 0


Deklarācija zgodnošai UE

Niniešm ošwiedzamy,

Makita Corporation
3-11-8, SUMIYOSHI-CHO, ANJO, AICHI 446-8502
JAPONIA

ze omawiane urzadzanie jest zgodne z odnošnymi zasadniczymi wymogami zdrowia i bezpieczeŃstwa wymienionymi w Dyrektywie UE, w oparciu o jego projekt i typ wprowadzony przez nas do obiegu.

W przypadku wprowadzenia do urzadzania niezatwierdzonych przez nas zmian niniejsza deklaracja traci waŹnošć.

Opis urzadzania: SpręŹarka
Typ urzadzania: AC310H
Nazwa handlowa: -
Numer seryjny: -
Stosowne dyrektywy UE: Dyrektywa Maszynowa: **98/37/WE**
Dyrektywa niskonapieciowa: **2006/95/EWG**
Stosowne normy zharmonizowane: EN 1012-1:1996; EN 60204-1:2006
Podpis upowaŹnionej osoby/Data: 24 listopada 2008
Tytuł sygnatariusza: Dyrektor: Tomoyasu Kato 

Niniejsza deklaracja zgodnošci została opracowana przez Serwis TÜV. Egzemplarz próbny tego produktu spełnia wymogi testu zgodnošci przeprowadzonego przez Serwis TÜV zgodnie z obowiāzujācymi normami i wyŹej wymienionymi dyrektywami.

Nr referencyjny raportu serwisu TÜV: 70.403.08.323.01
Data: 24 listopada 2008

Wydanie 0


EK atbilstības deklarācija

Ar šo paziņojam,

Makita Corporation
3-11-8, SUMIYOSHI-CHO, ANJO, AICHI 446-8502
JAPAN

ka minētā iekārta atbilst EK direktīvu attiecīgajām veselības aizsardzības un drošības pamatprasībām, pamatojoties uz mūsu uzņēmuma apgrozījumā laisto iekārtas konstrukciju un tipu.

Ja iekārtu pārveido, iepriekš par to ar mums nevienojoties, šī deklarācija vairs nav spēkā.

Iekārtas apraksts: Gaisa kompresors
Iekārtas tips: AC310H
Tirdzniecības nosaukums: -
Sērijas Nr.: -
Piemērojamās EK direktīvas: EK „Mašīnu” Direktīva **98/37/EK**
EK Zemsprieguma iekārtu Direktīva **2006/95/EK**
Piemērojamie saskaņotie standarti: EN 1012-1:1996; EN 60204-1:2006
Pilnvarotās personas paraksts/datums: 2008. gada 24. novembris
Parakstītāja amats: Direktors: Tomoyasu Kato 

Šo Atbilstības deklarāciju sagatavoja TÜV Product Service. Šī izstrādājuma eksemplārs atbilst TÜV Product Service veiktā atbilstības testa prasībām, ko veica saskaņā ar minēto direktīvu piemērojamajiem standartiem.

TÜV Product Service ziņojuma atsaucē Nr.: 70.403.08.323.01
Datums: 2008. gada 24. novembris


Pārstrādāts 0

EÜ vastavusdeklaratsioon

Kinnitame, Makita Corporation
3-11-8, SUMIYOSHI-CHO, ANJO, AICHI 446-8502
JAAPAN

et masin vastab Euroopa Ühenduse direktiiviga kehtestatud vajalikele ohutus- ja tervisekaitse põhinõuetele, vastavalt meie poolt kasutusse antud selle konstruktsioonile ning tüübile.

Masina muutmisel, ilma seda meiega kooskõlastamata, kaotab käesolev kinnitus kehtivuse.

Masina kirjeldus: Õhukompressor
Masina tüüp: AC310H
Kaubaartikli nimetus: -
Seerianumber: -
Rakendatavad EÜ direktiivid: EÜ Masinadirektiiv: **98/37/EÜ**
EÜ Madalpingedirektiiv **2006/95/EÜ**
Rakendatavad kooskõlastatud standardid: EN 1012-1:1996; EN 60204-1:2006
Volitatud isiku allkiri/kuupäev: 24. november 2008
Allakirjutaja ametinimetus: direktor: Tomoyasu Kato 

Käesoleva vastavusdeklaratsiooni on koostanud TÜV Product Service. Toote näidis vastab TÜV Product Service'i poolt läbi viidud vastavustestile, arvestades nimetatud direktiivis mainitud rakendatavaid standardeid.

TÜV Product Service'i raporti viitenumber: 70.403.08.323.01
Kuupäev: 24. november 2008


Läbivaatus 0

EB atitikties deklaracija

Mes atsakingai pareiškiamo, Makita Corporation
3-11-8, SUMIYOSHI-CHO, ANJO, AICHI 446-8502
JAPONIJA

kas šis įrenginys, kurį mes paleidome į apyvartą, atitinka atitinkamus pagrindinius EB direktyvoje išdėstytus saugos ir sveikatos reikalavimus, atsižvelgiant į jo konstrukciją ir tipą.

Padarius pakeitimų šiame įrenginyje be mūsų leidimo, ši deklaracija nebegalios.

Įrenginio aprašymas: Oro kompresorius
Įrenginio tipas: AC310H
Prekės ženklas: -
Serijos numeris: -
Galiojančios EB direktyvos: EB Mašinų direktyva: **98/37/EB**
EB Žemos įtampos direktyva **2006/95/EEB**
Galiojantys suderinti standartai: EN 1012-1:1996; EN 60204-1:2006
Įgaliojoto asmens parašas/data: 2008 m. lapkričio 24 d.
Pasirašiusiojo pareigos: Direktorius: Tomoyasu Kato 

Šią Atitikties deklaraciją parengė „TÜV Product Service“. Šio gaminio bandomasis pavyzdys atitinka atitikties bandymo, kurį atliko „TÜV Product Service“, laikydamosi galiojančių standartų pagal pirmiau minėtas direktyvas, reikalavimus.

„TÜV Product Service“ ataskaitos ref. Nr.: 70.403.08.323.01
Data: 2008 m. lapkričio 24 d.

Peržiūrėtas ir pataisytas leidimas 0

EK megfeleléségi nyilatkozat

Ezúton kijelentjük,

Makita Corporation
3-11-8, SUMIYOSHI-CHO, ANJO, AICHI 446-8502
JAPAN

hogy a következő gép kivitelezése és típusa alapján a forgalomba helyezések megfelel a vonatkozó EK direktívák alapvető biztonsági és egészségügyi követelményeinek.

A gép hozzájárulásunk nélküli módosítása esetén a nyilatkozat érvényét veszti.

Gép leírása: Légsűrítő

Gép típusa: AC310H

Kereskedelmi név: -

Gyártási szám: -

Vonatkozó EK direktívák: EK Gépészeti direktíva: **98/37/EC**
EK Kisfeszültségű villamos termékek direktíva **2006/95/EEC**

Vonatkozó egyeztetett szabványok: EN 1012-1:1996; EN 60204-1:2006

Hivatalos aláírás/dátum: 2008. november 24.

Aláíró tisztsége: Igazgató: Tomoyasu Kato



A Megfeleléségi nyilatkozatot a TÜV Product Service készítette. A termék mintapéldánya teljesíti a TÜV Product Service által a fent megnevezett direktívák vonatkozó szabványai szerint végzett megfeleléségi vizsgálatok követelményeit.

TÜV Product Service jelentés referenciaszáma: 70.403.08.323.01
Dátum: 2008. november 24.

Változat 0

Declarație de conformitate CE

Prin prezenta noi declarăm că,

Makita Corporation
3-11-8, SUMIYOSHI-CHO, ANJO, AICHI 446-8502
JAPONIA

următorul utilaj se conformează cerințelor de bază aplicabile privind siguranța și sănătatea ale Directivei CE pe baza designului și tipului său, așa cum a fost pus în circulație de către noi.

Declarația își va pierde valabilitatea în cazul modificării utilajului fără acordul nostru.

Descrierea utilajului: Compresor de aer

Tip utilaj: AC310H

Denumire producător: -

Număr de serie: -

Directive CE aplicabile: Directiva CE privind utilajele: **98/37/CE**
Directiva CE 2006/95/CEE privind tensiunea joasă

Standarde armonizate aplicabile: EN 1012-1:1996; EN 60204-1:2006

Semnătura autorizată/Data: 24 noiembrie 2008

Funcția semnatarului: Director: Tomoyasu Kato



Această Declarație de conformitate a fost elaborată de către TÜV Product Service. Un exemplar al acestui produs îndeplinește cerințele testului de conformitate efectuat de TÜV Product Service în conformitate cu standardele aplicabile subordonate directivelor menționate.

Raport de referință TÜV Product Service nr.: 70.403.08.323.01
Data: 24 noiembrie 2008

Revizia 0


EC - Prehlásenie o zhode

Týmto prehlasujeme,

Makita Corporation
3-11-8, SUMIYOSHI-CHO, ANJO, AICHI 446-8502
JAPONSKO

že nasledujúce zariadenie vyhovuje patričným požiadavkám na bezpečnosť a ochranu zdravia podľa smerníc ES, a to na základe svojho návrhu a typu, v akom je našou spoločnosťou uvedené do obehu.

V prípade úpravy zariadenia, ktorá nebola našou spoločnosťou schválená stráca toto prehlásenie svoju platnosť.

Popis zariadenia: Vzduchový kompresor
Typ zariadenia: AC310H
Obchodný názov: -
Sériové číslo: -
Vzťahujúce sa smernice EÚ: Smernica ES o strojných zariadeniach: **98/37/ES**
Smernica ES o nízkom napätí: **2006/95/EHS**
Vzťahujúce sa harmonizované normy: EN 1012-1:1996; EN 60204-1:2006
Podpis oprávnenej osoby / Dátum: 24. november 2008
Podpísal: Riaditeľ: Tomoyasu Kato 

Toto Prehlásenie o zhode pripravila spoločnosť TÜV Product Service. Vzorka tohto výrobku spĺňa požiadavky testu zhody, ktorý bol vykonaný spoločnosťou TÜV Product Service podľa vzťahujúcich sa noriem a na základe hore uvedených smerníc.

Referenčné číslo správy, ktorú vypracovala spoločnosť TÜV Product Service: 70.403.08.323.01
Dátum: 24. november 2008

Revízia 0


Prohlášení ES o shodě

Prohlasujeme tímto,

Makita Corporation
3-11-8, SUMIYOSHI-CHO, ANJO, AICHI 446-8502
JAPAN

že níže uvedené zařízení vzhledem ke své konstrukci a typu, jak je uvádíme do oběhu, vyhovuje příslušným základním bezpečnostním a zdravotním požadavkům směrnice ES.

V případě neautorizovaného pozměnění zařízení ztrácí toto prohlášení platnost.

Popis zařízení: Vzduchový kompresor
Typ zařízení: AC310H
Obchodní název: -
Výrobní číslo: -
Příslušné směrnice ES: Strojírenská směrnice ES: **98/37/ES**
směrnice ES pro nízké napětí **2006/95/EHS**
Příslušné harmonizované normy: EN 1012-1:1996; EN 60204-1:2006
Podpis oprávněné osoby: 24. listopadu 2008
Funkce podepsané osoby: Ředitel: Tomoyasu Kato 

Toto prohlášení o shodě vydala společnost TÜV Product Service. Vzorek tohoto produktu vyhovuje požadavkům zkoušky shody provedené společností TÜV Product Service v souladu s příslušnými normami v rámci zmíněných směrnic.

Referenční č. protokolu TÜV Product Service: 70.403.08.323.01
Datum: 24. listopadu 2008

Přepracované vydání 0


Декларация про відповідність стандартам ЄС

З усією відповідальністю наголошуємо,

Makita Corporation
3-11-8, SUMIYOSHI-CHO, ANJO, AICHI 446-8502
ЯПОНІЯ

що це обладнання відповідає основним вимогам Директиви ЄС з техніки безпеки та охорони праці, маючи запропонований нами дизайн та тип.

У разі будь-яких модифікацій обладнання, не погоджених з нами, ця декларація втрачає силу.

Опис обладнання:	Повітряний компресор
Тип обладнання:	AC310H
Торговельна назва:	-
Серійний номер:	-
Відповідні Директиви ЄС:	Директива ЄС щодо механічного обладнання: 98/37/ЄС Директива ЄС щодо низьковольтних пристроїв 2006/95/ЄЕС
Відповідні гармонізовані стандарти:	EN 1012-1:1996; EN 60204-1:2006
Підпис уповноваженої особи/Дата:	Листопад 24, 2008
Посада уповноваженої на підписання особи:	Директор: Томоязу Като 

Ця Декларация про відповідність була підготовлена асоціацією T&V Product Service. Зразок цієї продукції відповідає вимогам тесту на відповідність, проведеному T&V Product Service згідно з відповідними стандартами зазначених директив.

Номер звіту T&V Product Service: 70.403.08.323.01
Дата: листопад 24, 2008

Редакція 0


Декларация о соответствии ЕС

Настоящим заявляем,

Makita Corporation
3-11-8, SUMIYOSHI-CHO, ANJO, AICHI 446-8502
JAPAN

что конструкция и тип указанного ниже устройства, в том виде, как оно представлено нами на рынок, отвечают соответствующим основным стандартам безопасности и требованиям по охране здоровья директив ЕС.

В случае модификации устройства, несогласованного с производителем, эта декларация теряет силу.

Описание устройства:	Воздушный компрессор
Тип устройства:	AC310H
Торговая марка:	-
Торговая марка:	-
Применимые директивы ЕС:	Директива ЕС по оборудованию: 98/37/ЕС Директива ЕС по низковольтным устройствам 2006/95/ЕЕС
Применимые согласованные стандарты:	EN 1012-1:1996; EN 60204-1:2006
«Утверждаю» Подпись/Дата:	24 ноября 2008 г.
Должность подписавшего:	Директор: Tomoyasu Kato (Томояшу Като) 

Данная декларация о соответствии подготовлена организацией T&V Product Service. Образец данного устройства отвечает требованиям теста соответствия, выполненного организацией T&V Product Service в соответствии с применимыми стандартами в рамках упомянутых директив.

Номер соответствующего документа T&V Product Service: 70.403.08.323.01
Дата: 24 ноября 2008 г.

Редакція 0

Makita Corporation
Anjo, Aichi, Japan