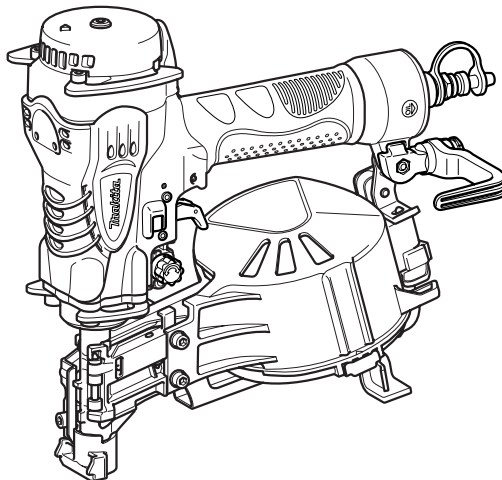
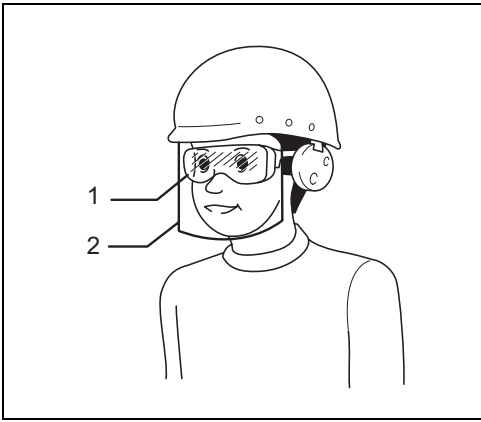




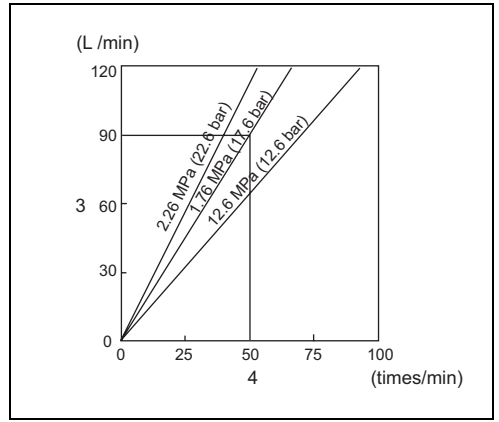
GB	Pneumatic Roofing Coil Nailer	Instruction manual
F	Cloueur a panneaux pneumatique	Manuel d'instructions
D	Druckluft-Dachpappnagler	Betriebsanleitung
I	Chiodatrice pneumatica a bobina per copertura tetti	Istruzioni per l'uso
NL	Pneumatisch nagelpistool voor dakdekkers	Gebruiksaanwijzing
E	Clavadora neumática para clavos en tejados	Manual de instrucciones
P	Pregador pneumático de bobina de pregos para tecto	Manual de instruções
DK	Trykluftsbaseret sømpistol til tagarbejde	Brugsanvisning
GR	Καρφωτικό Εργαλείο Πεπιεσμένου Αέρα Για Σκεπή	Οδηγίες χρήσης

AN450H

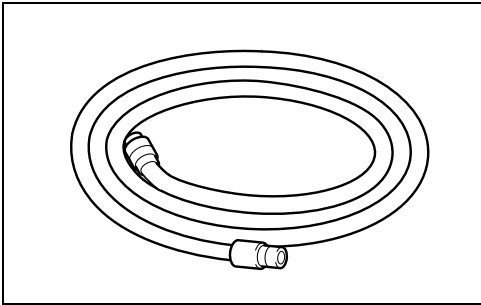




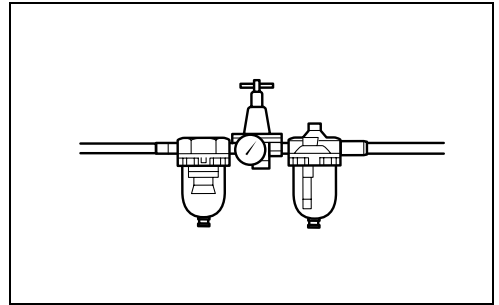
1



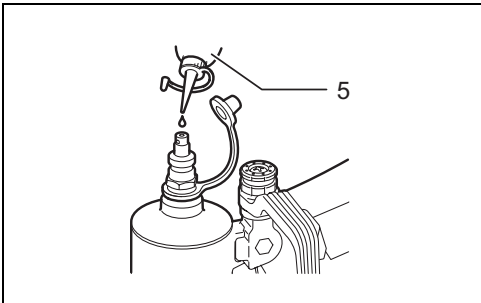
2



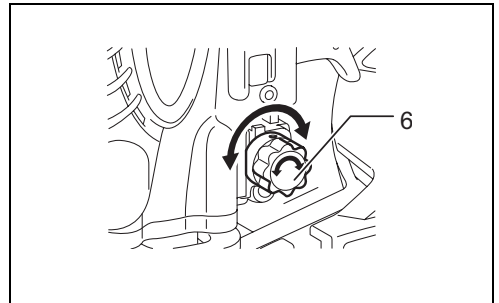
3



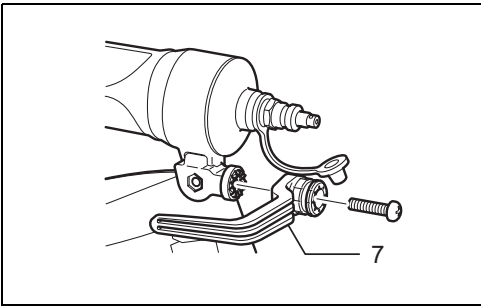
4



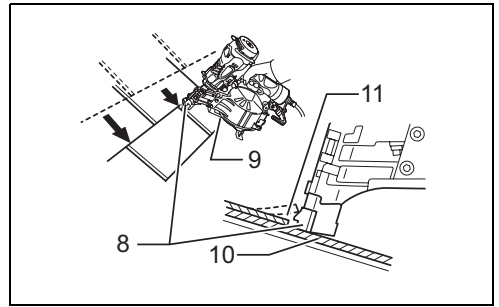
5



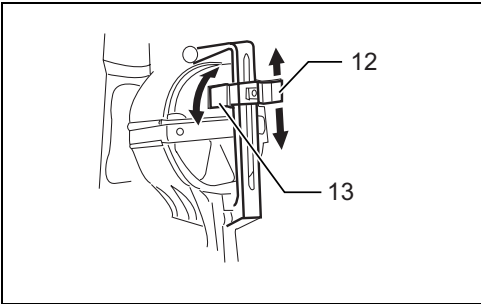
6



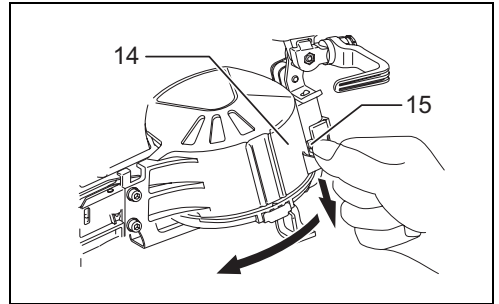
7



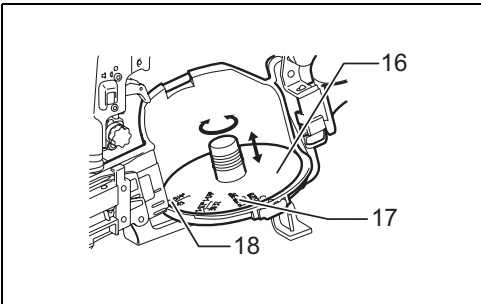
8



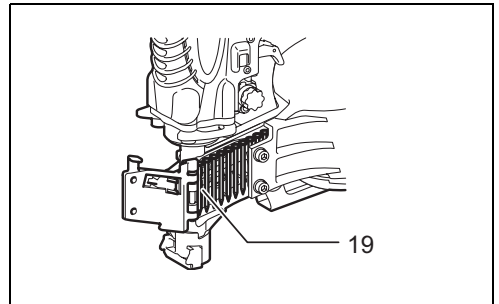
9



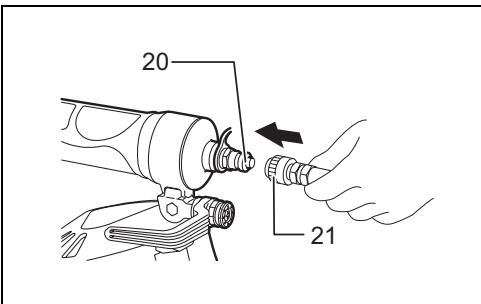
10



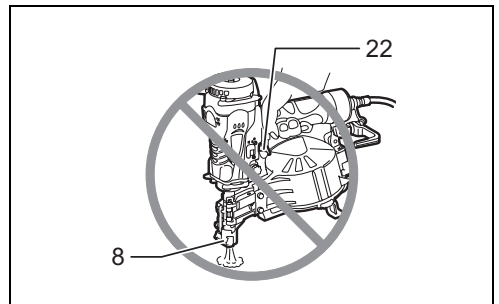
11



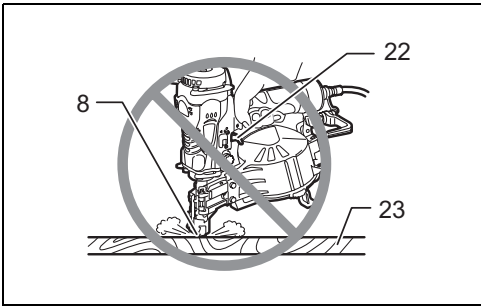
12



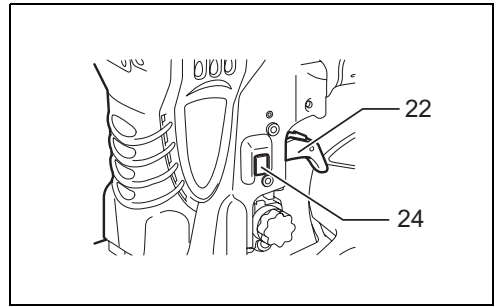
13



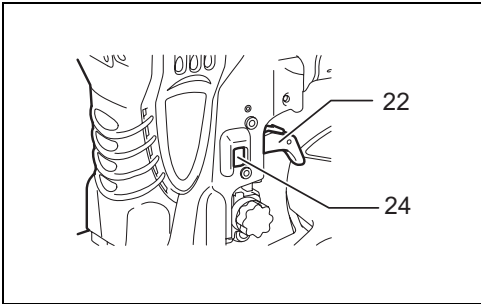
14



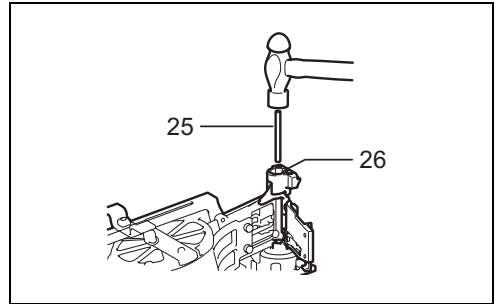
15



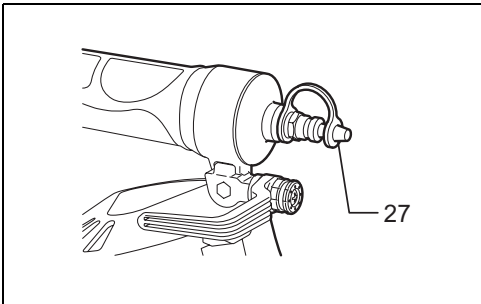
16



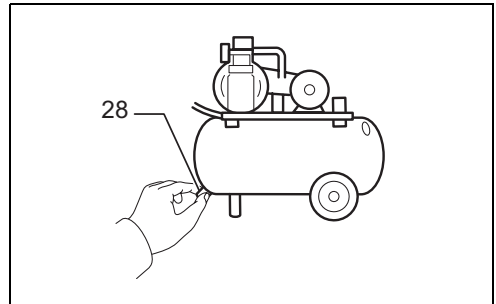
17



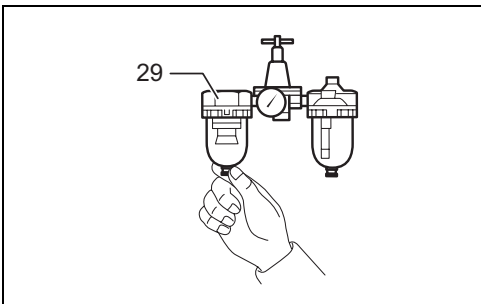
18



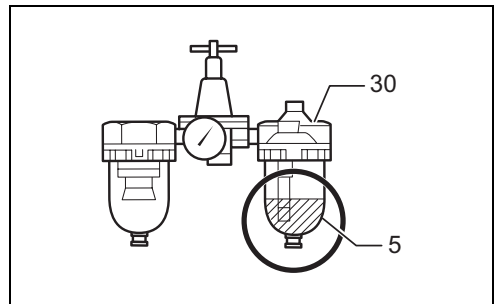
19



20



21



22



23

ENGLISH

Explanation of general view

1. Safety glasses	11. Projection	21. Air socket
2. Face shield	12. Lever	22. Trigger
3. Compressor air output per minute	13. Adjust plate	23. Workpiece
4. Nailing frequency	14. Magazine cap	24. Change lever
5. Pneumatic oil	15. Latch lever	25. Small rod
6. Adjuster	16. Coil support plate	26. Ejection port
7. Hook	17. Graduation	27. Cap
8. Contact element	18. Arrow	28. Drain cock
9. Shingle guide	19. Feed Claw	29. Air filter
10. Shingle	20. Air fitting	30. Oiler

SPECIFICATIONS

Model	AN450H
Air pressure	1.28 - 2.26 Mpa (12.8 - 22.6 bar)
Nail length	19 mm - 45 mm
Nail capacity	120 pcs.
Min. hose diameter	5.0 mm
Pneumatic tool oil	Turbine oil
Dimensions (L X H X W)	287 mm X 276 mm X 117 mm
Net weight	2.2 kg

- Due to our continuing program of research and development, the specifications herein are subject to change without notice.
- Note: Specifications may differ from country to country.

Symbols

END106-2

The following show the symbols used for the equipment. Be sure that you understand their meaning before use.



..... Read instruction manual.



..... Wear safety glasses.



..... Do not use on scaffoldings, ladders.

Intended use

ENE059-1

The tool is intended for the preliminary interior work such as fixing floor joists or common rafters and framing work in 2" x 4" housing.

IMPORTANT SAFETY INSTRUCTIONS

ENB109-2

IMPORTANT SAFETY INSTRUCTIONS WARNING: WHEN USING THIS TOOL, BASIC SAFETY PRECAUTIONS SHOULD ALWAYS BE FOLLOWED TO REDUCE THE RISK OF PERSONAL INJURY, INCLUDING THE FOLLOWING:

READ ALL INSTRUCTIONS.

- For personal safety and proper operation and maintenance of the tool, read this instruction manual before using the tool.

- Always wear safety glasses to protect your eyes from dust or nail injury.

WARNING:

It is an employer's responsibility to enforce the use of safety eye protection equipment by the tool operators and by other persons in the immediate working area.

- For Australia and New Zealand only Always wear safety glasses and face shield to protect your eyes from dust or nail injury. The safety glasses and the face shield should conform with the requirements of AS/NZS 1336.

WARNING:

It is an employer's responsibility to enforce the use of safety eye protection equipment by the tool operators and by other persons in the immediate working area.

(Fig. 1)

- Wear hearing protection to protect your ears against exhaust noise and head protection. Also wear light but not loose clothing. Sleeves should be buttoned or rolled up. No necktie should be worn.
- Rushing the job or forcing the tool is dangerous. Handle the tool carefully. Do not operate when under the influence of alcohol, drugs or the like.
- General Tool Handling Guidelines:
 - (1) Always assume that the tool contains fasteners.
 - (2) Do not point the tool toward yourself or anyone whether it contains fasteners or not.
 - (3) Do not activate the tool unless the tool is placed firmly against the workpiece.
 - (4) Respect the tool as a working implement.
 - (5) No horseplay.
 - (6) Do not hold or carry the tool with a finger on the trigger.

- (7) Do not load the tool with fasteners when any one of the operating controls is activated.
 - (8) Do not operate the tool with any power source other than that specified in the tool operating/safety instructions.
- An improperly functioning tool must not be used.
 - Sparks sometimes fly when the tool is used. Do not use the tool near volatile, flammable materials such as gasoline, thinner, paint, gas, adhesives, etc.; they will ignite and explode, causing serious injury.
 - The area should be sufficiently illuminated to assure safe operations. The area should be clear and litter-free. Be especially careful to maintain good footing and balance.
 - Only those involved in the work should be in the vicinity. Children especially must be kept away at all times.
 - There may be local regulations concerning noise which must be complied with by keeping noise levels within prescribed limits. In certain cases, shutters should be used to contain noise.
 - Do not play with the contact element: it prevents accidental discharge, so it must be kept on and not removed. Securing the trigger in the ON position is also very dangerous. Never attempt to fasten the trigger. Do not operate a tool if any portion of the tool operating controls is inoperable, disconnected, altered, or not working properly.
 - Operate the tool within the specified air pressure of 0.98 - 2.26 MPa (9.8 - 22.6 bar) for safety and longer tool life. Do not exceed the recommended max. operating pressure of 2.26 MPa (22.6 bar). The tool should not be connected to a source whose pressure potentially exceeds 3.39 MPa (33.9 bar).
 - Make sure that the pressure supplied by the compressed air system does not exceed the maximum allowable pressure of the fastener driving tool. Set the air pressure initially to the lower value of the recommended allowable pressure (see SPECIFICATIONS).
 - Never use the tool with other than compressed air. If bottled gas (carbon dioxide, oxygen, nitrogen, hydrogen, air, etc.) or combustible gas (hydrogen, propane, acetylene, etc.) is used as a power source for this tool, the tool will explode and cause serious injury.
 - Always check the tool for its overall condition and loose screws before operation. Tighten as required.
 - Make sure all safety systems are in working order before operation. The tool must not operate if only the trigger is pulled or if only the contact arm is pressed against the wood. It must work only when both actions are performed. Test for possible faulty operation with nails unloaded and the pusher in fully pulled position.
 - Check walls, ceilings, floors, roofing and the like carefully to avoid possible electrical shock, gas leakage, explosions, etc. caused by striking live wires, conduits or gas pipes.
 - Use only nails specified in this manual. The use of any other nails may cause malfunction of the tool.
 - Never use fastener driving tools marked with the symbol "Do not use on scaffoldings, ladders" for specific application for example:
 - when changing one driving location to another involves the use of scaffoldings, stairs, ladders, or ladder alike constructions, e.g. roof laths;
 - closing boxes or crates;
 - fitting transportation safety systems e.g. on vehicles and wagons.
- Do not permit those uninstructed to use the tool.
 - Make sure no one is nearby before nailing. Never attempt to nail from both the inside and outside at the same time. Nails may rip through and/or fly off, presenting a grave danger.
 - Watch your footing and maintain your balance with the tool. Make sure there is no one below when working in high locations, and secure the air hose to prevent danger if there is sudden jerking or catching.
 - On rooftops and other high locations, nail as you move forward. It is easy to lose your footing if you nail while inching backward. When nailing against perpendicular surface, nail from the top to the bottom. You can perform nailing operations with less fatigue by doing so.
 - A nail will be bent or the tool can become jammed if you mistakenly nail on top of another nail or strike a knot in the wood. The nail may be thrown and hit someone, or the tool itself can react dangerously. Place the nails with care.
 - Do not leave the loaded tool or the air compressor under pressure for a long time out in the sun. Be sure that dust, sand, chips and foreign matter will not enter the tool in the place where you leave it setting.
 - Do not point the ejection port at anyone in the vicinity. Keep hands and feet away from the ejection port area.
 - When the air hose is connected, do not carry the tool with your finger on the trigger or hand it to someone in this condition. Accidental firing can be extremely dangerous.
 - Handle the tool carefully, as there is high pressure inside the tool that can be dangerous if a crack is caused by rough handling (dropping or striking). Do not attempt to carve or engrave on the tool.
 - Stop nailing operations immediately if you notice something wrong or out of the ordinary with the tool.
 - Always disconnect the air hose and remove all of the nails:
 - (9) When unattended.
 - (10) Before performing any maintenance or repair.
 - (11) Before cleaning a jam.
 - (12) Before moving the tool to a new location.
 - Perform cleaning and maintenance right after finishing the job. Keep the tool in tip-top condition. Lubricate moving parts to prevent rusting and minimize friction-related wear. Wipe off all dust from the parts.
 - Do not modify tool without authorization from Makita.
 - Ask Makita's Authorized service centers for periodical inspection of the tool.
 - To maintain product SAFETY and RELIABILITY, maintenance and repairs should be performed by Makita Authorized Service Centers, always using Makita replacement parts.
 - Use only pneumatic tool oil specified in this manual.
 - Never connect tool to compressed air line where the maximum allowable pressure of tool cannot be exceeded by 10 %. Make sure that the pressure supplied by the compressed air system does not

- exceed the maximum allowable pressure of the fastener driving tool. Set the air pressure initially to the lower value of the recommended allowable pressure.
- Do not attempt to keep the trigger contact element depressed with tape or wire. Death or serious injury may occur.
 - Always check contact element as instructed in this manual. Nails may be driven accidentally if the safety mechanism is not working correctly.

SAVE THESE INSTRUCTIONS.

INSTALLATION

Selecting compressor (Fig. 2)

The air compressor must comply with the requirements of EN60335-2-34.

Select a compressor that has ample pressure and air output to assure cost-efficient operation. The graph shows the relation between nailing frequency, applicable pressure and compressor air output.

Thus, for example, if nailing takes place at a rate of approximately 50 times per minute at a compression of 1.76 MPa (17.6 bar), a compressor with an air output over 90 liters/minute is required.

Pressure regulators must be used to limit air pressure to the rated pressure of the tool where air supply pressure exceeds the tool's rated pressure. Failure to do so may result in serious injury to tool operator or persons in the vicinity.

Selecting air hose (Fig. 3)

Use a high pressure resistant air hose.

Use an air hose as large and as short as possible to assure continuous, efficient nailing operation.

CAUTION:

- Low air output of the compressor, or a long or smaller diameter air hose in relation to the nailing frequency may cause a decrease in the driving capability of the tool.

Lubrication (Fig. 4)

To insure maximum performance, install an air set (oiler, regulator, air filter) as close as possible to the tool. Adjust the oiler so that one drop of oil will be provided for every 30 nails.

When an air set is not used, oil the tool with pneumatic tool oil by placing 2 (two) or 3 (three) drops into the air fitting. This should be done before and after use. For proper lubrication, the tool must be fired a couple of times after pneumatic tool oil is introduced. (Fig. 5)

FUNCTIONAL DESCRIPTION

CAUTION:

- Always disconnect the air hose before adjusting or checking function on the tool.

Adjusting depth of nailing (Fig. 6)

To adjust the depth of nailing, turn the adjuster. The depth of nailing is the deepest when the adjuster is turned fully in the A direction shown in the figure. It will become shallower as the adjuster is turned in the B direction. If

nails cannot be driven deep enough even when the adjuster is turned fully in the A direction, increase the air pressure. If nails are driven too deep even when the adjuster is turned fully in the B direction, decrease the air pressure. Generally speaking, the tool service life will be longer when the tool is used with lower air pressure and the adjuster set to a lower depth of nail driving.

CAUTION:

- Always disconnect the hose before adjusting the depth of nailing.

Hook (Fig. 7)

CAUTION:

- Always disconnect the hose from the tool.
- Never hook the tool at high location or on potentially unstable surface.

The hook is convenient for hanging the tool temporarily.

Adjusting the shingle guide (Fig. 8 & 9)

The shingle guide is designed for consistent shingle exposure. Place shingle in desired position.

Turn the lever clockwise to release the adjusting plate. Reset the tool on the exposed shingle with the projections of the contact element depressing the bottom of the previous row of the shingle. Slide the adjusting plate up against the bottom of the exposed shingle and turn the lever counterclockwise to lock the adjusting plate.

ASSEMBLY

CAUTION:

- Always disconnect the air hose before carrying out any work on the tool.

Loading nailer (Fig. 10)

Select nails suitable for your work. Depress the latch lever and open the magazine cap.

Lift and turn the coil support plate so that the arrow with nail size indicated on the coil support plate will point to the corresponding graduation increment marked on the magazine. If the tool is operated with the coil support plate set to the wrong step, poor nail feed or malfunction of the tool may result. (Fig. 11)

Place the nail coil over the coil support plate. Uncoil enough nails to reach the feed claw. Place the first nail in the driver channel and the second nail in the feed claw. Place other uncoiled nails on feeder body. Close the magazine cap after checking to see that the nail coil is set properly in the magazine. (Fig. 12)

Connecting air hose (Fig. 13)

Slip the air socket of the air hose onto the air fitting on the nailer. Be sure that the air socket locks firmly into position when installed onto the air fitting. A hose coupling must be installed on or near the tool in such a way that the pressure reservoir will discharge at the time the air supply coupling is disconnected.



OPERATION

CAUTION:

- Make sure all safety systems are in working order before operation.

1. To drive a nail, you may place the contact element against the workpiece and pull the trigger, or (Fig. 14 & 15)
2. Pull the trigger first and then place the contact element against the workpiece.
 - No. 1 method is for intermittent nailing, when you wish to drive a nail carefully and very accurately. No. 2 method is for continuous nailing.

CAUTION:

- However when the tool is set to the "Intermittent Nailing" mode, WITH THE TRIGGER HELD IN A HALF-PULLED POSITION, an unexpected nailing could occur, if contact element is allowed to re-contact against the workpiece or the other surface under the influence of recoil. In order to avoid this unexpected nailing, perform as follows;
 - A. Do not place the contact element against the workpiece with excessive force.
 - B. Pull the trigger fully and hold it on for 1-2 seconds after nailing.
- For No. (1) method, set the change lever to the  position.
For No. (2) method, set the change lever to the  position.
After using the change lever to change the nailing method, always make sure that the change lever is properly set to the position for the desired nailing method. (Fig. 16 & 17)

MAINTENANCE

CAUTION:

- Always disconnect the air hose from the tool before attempting to perform inspection or maintenance.

Jammed nailer (Fig. 18)

CAUTION:

- Always disconnect the air hose and remove the nails from the magazine before cleaning a jam.

When the nailer becomes jammed, do as follows:

Open the magazine cap and remove the nail coil. Insert a small rod or the like into the ejection port and tap it with a hammer to drive out the nail jamming from the ejection port. Reset the nail coil and close the magazine cap.

Cleaning and removal of tar and dirt

Adhesion of tar and dirt to areas around the contact element will prevent smooth movement of the contact element (safety mechanism). Causing accidental discharge. Periodically clean the areas around the contact element. Use a solvent such as kerosene, #2 fuel oil or diesel fuel.

Immerse only the contact element and the areas around the ejection port in solvent and remove tar and dirt with brush. Always wear waterproof gloves to protect your hands. Never immerse the housing, magazine, etc. in solvent. Malfunction of the tool may result. Always dispose of the solvent used in a safe and prudent manner and in compliance with all local and national code requirement. (Fig. 19)

Dry off the tool before use. Any oil film left after cleanup will accelerate the tar buildup, and the tool will require more frequent recleaning. After drying off the tool, oil the

moving parts to prevent rusting and to assure good lubrication and operation or moving parts.

WARNING:

- Never use gasoline or other similar highly volatile liquids for cleaning. Vapors of such liquids may enter the tool and could be ignited by sparks produced during nailing and cause an explosion.

Drain tool

Remove the hose from the tool. Place the tool so that the air fitting faces down to the floor. Drain as much as possible.

Cleaning of tool

Iron dust that adhere to the magnet can be blown off by using an air duster.

Cap

When not in use, disconnect the hose. Then cap the air fitting with the cap. (Fig. 20)

Storage

When not in use, the nailer should be stored in a warm and dry place.

Maintenance of compressor, air set and air hose.

(Fig. 21 & 22)

After operation, always drain the compressor tank and the air filter. If moisture is allowed to enter the tool, it may result in poor performance and possible tool failure.

Check regularly to see if there is sufficient pneumatic oil in the oiler of the air set. Failure to maintain sufficient lubrication will cause O-rings to wear quickly. (Fig. 23)

Keep the air hose away from heat (over 60°C, over 140°F), away from chemicals (thinner, strong acids or alkalis). Also, route the hose away from obstacles which it may become dangerously caught on during operation.

Hoses must also be directed away from sharp edges and areas which may lead to damage or abrasion to the hose. (Fig. 24)

To maintain product SAFETY and RELIABILITY, repairs, any other maintenance or adjustment should be performed by Makita Authorized Service Centers, always using Makita replacement parts.

ACCESSORIES

CAUTION:

- These accessories or attachments are recommended for use with your Makita tool specified in this manual. The use of any other accessories or attachments might present a risk of injury to persons. Only use accessory or attachment for its stated purpose.

If you need any assistance for more details regarding these accessories, ask your local Makita service center.

- Nails
- Air hoses
- Safety goggles

For European countries only

ENG046-2

Noise and Vibration

The typical A-weighted noise levels are
sound pressure level: 84 dB (A)
sound power level: 97 dB (A).
Uncertainty (K): 1.5 m/s²

Wear ear protection.

The typical weighted root mean square acceleration value is 3.0 m/s².

These values have been obtained according to EN792.

EC-DECLARATION OF CONFORMITY ENH013-7

Model; AN450H

We declare under our sole responsibility that this product is in compliance with the following standards of standardized documents;

EN792 in accordance with Council Directives, 98/37/EC.

CE 2008



Tomoyasu Kato
Director

Responsible Manufacturer:

Makita Corporation

3-11-8, Sumiyoshi-cho, Anjo, Aichi, JAPAN

Authorized Representative in Europe:

Makita International Europe Ltd.

Michigan Drive, Tongwell, Milton Keynes, Bucks MK15
8JD, ENGLAND

Descriptif

- | | | |
|---|----------------------------------|--------------------------|
| 1. Lunettes de sécurité | 11. Projection | 22. Gâchette |
| 2. Visière | 12. Levier | 23. Pièce à travailler |
| 3. Sortie d'air du compresseur par minute | 13. Plaque de réglage | 24. Levier de changement |
| 4. Fréquence de clouage | 14. Capuchon du magasin | 25. Petite tige |
| 5. Huile pour outil pneumatique | 15. Levier de fermeture | 26. Port d'éjection |
| 6. Bague de réglage | 16. Plaque de soutien des bandes | 27. Coiffe |
| 7. Fermeoir | 17. Graduation | 28. Robinet de vidange |
| 8. Dispositif de contact | 18. Flèche | 29. Filtre à air |
| 9. Guide du bardeau | 19. Griffe d'alimentation | 30. Huileur |
| 10. Bardeau | 20. Raccord à air | |
| | 21. Prise d'air | |

SPÉCIFICATIONS

Modèle	AN450H
Pression d'air	1,28 à 2,26 Mpa (12,8 à 22,6 bar)
Longueur de clou	19 mm à 45 mm
Capacité de clouage	120 clous
Diamètre min. du tuyau	5,0 mm
Huile pour outil pneumatique	Huile de turbine
Dimensions (L X H X P)	287 mm x 276 mm x 117 mm
Poids net	2,2 kg

- Étant donné l'évolution constante de notre programme de recherche et de développement, les spécifications contenues dans ce manuel sont sujettes à modification sans préavis.
- Remarque: les spécifications peuvent varier d'un pays à l'autre.

Symboles

END106-2

Les symboles utilisés pour l'outil sont indiqués ci-dessous. Assurez-vous d'avoir bien compris leur signification avant d'utiliser l'outil.



..... Reportez-vous au manuel d'instructions.



..... Portez des lunettes de sécurité.



..... N'utilisez pas l'outil sur un échafaudage ou une échelle.

Utilisations

ENE059-1

L'outil est destiné pour une utilisation de travail en intérieur préliminaire tel que la fixation des solives de plancher ou de chevrons communs et du travail de charpente d'habitations en 2 "x 4" .

CONSIGNES DE SÉCURITÉ IMPORTANTES

ENB100-2

AVERTISSEMENT RELATIF AUX CONSIGNES DE SÉCURITÉ IMPORTANTES: LORS DE L'UTILISATION DE CET OUTIL, VOUS DEVEZ TOUJOURS PRENDRE DES PRÉCAUTIONS ÉLÉMENTAIRES EN MATIÈRE DE SÉCURITÉ POUR RÉDUIRE LES RISQUES DE BLESSURE. CES PRÉCAUTIONS COMPRENNENT LES SUIVANTES:

LISEZ TOUTES LES INSTRUCTIONS.

- Pour votre propre sécurité et pour assurer le bon fonctionnement et la maintenance de l'outil, veuillez lire ce manuel d'instructions avant d'utiliser l'outil.
- Portez toujours des lunettes de sécurité pour protéger vos yeux du contact de la poussière ou d'un clou.

AVERTISSEMENT:

L'employeur a la responsabilité d'imposer le port d'un dispositif de protection des yeux aux utilisateurs de l'outil et à toute personne présente dans la zone de travail.

- Pour l'Australie et la Nouvelle-Zélande uniquement Portez toujours des lunettes de sécurité et une visière pour protéger vos yeux du contact de la poussière ou d'un clou. Les lunettes de sécurité et la visière doivent être conformes aux exigences de la norme AS/NZS 1336.

AVERTISSEMENT:

L'employeur a la responsabilité d'imposer le port d'un dispositif de protection des yeux aux utilisateurs de l'outil et à toute personne présente dans la zone de travail. (Fig. 1)

- Portez une protection auditive pour protéger vos oreilles du bruit de l'échappement et portez un casque de sécurité. Portez également des vêtements légers mais non amples. Veuillez boutonner ou rouler vos manches. Ne portez pas de cravate.
- Il est dangereux de travailler trop vite ou d'appliquer une charge de travail excessive à l'outil. Manipulez l'outil avec précaution. N'utilisez pas l'outil si vous avez

- consommé de l'alcool, une drogue ou des médicaments, etc.
- Conseils généraux pour l'utilisation de l'outil:
 - (1) Gardez toujours à l'esprit que l'outil contient des clous.
 - (2) L'outil ne doit jamais être pointé vers vous-même ou vers une autre personne, qu'il contienne ou non des clous.
 - (3) Ne mettez pas l'outil en marche avant qu'il ne soit fermement placé sur la pièce à travailler.
 - (4) Respectez votre outil en tant qu'instrument de travail.
 - (5) Évitez tout chahut.
 - (6) L'outil ne doit jamais être saisi ou transporté en posant un doigt sur la gâchette.
 - (7) Ne mettez jamais de clous dans l'outil alors que l'une de ses commandes est activée.
 - (8) Ne branchez jamais l'outil sur une source d'alimentation autre que celle spécifiée dans les instructions d'utilisation/de sécurité qui l'accompagnent.
 - Tout outil défectueux ne doit pas être utilisé.
 - Des étincelles s'échappent parfois de l'outil pendant son utilisation. N'utilisez pas l'outil près de substances ou matériaux volatiles ou inflammables tels que l'essence, le diluant, la peinture, le gaz, les adhésifs, etc. Ils risqueraient de prendre feu, d'exploser et de causer une blessure grave.
 - L'aire de travail doit être suffisamment éclairée pour assurer la sécurité du travail. L'aire de travail doit être maintenue propre et exempte de déchets. Veillez particulièrement à maintenir une bonne assise et une bonne position d'équilibre.
 - Seules les personnes qui participent au travail doivent pénétrer dans la zone de travail. Les enfants, tout particulièrement, doivent être constamment maintenus à l'écart.
 - Il se peut que des réglementations locales s'appliquent concernant les niveaux de bruit autorisés. Veuillez les respecter. Dans certains cas, des volets doivent être installés pour réduire le bruit.
 - Ne jouez pas avec le dispositif de contact: il empêche les décharges accidentelles, donc il doit être gardé activé et ne pas être désactivé. Il est également très dangereux de fixer la gâchette en position de marche. Ne tentez jamais d'immobiliser la gâchette. N'utilisez jamais un outil dont l'une des commandes est inutilisable, déconnectée, modifiée ou ne fonctionne pas correctement.
 - Utilisez l'outil avec la pression d'air spécifiée de 0,98 à 2,26 MPa (9,8 à 22,6 bar) par mesure de sécurité et pour prolonger la durée de service de l'outil. Ne dépassez pas la pression max. de fonctionnement recommandée, 2,26 MPa (22,6 bar). L'outil ne doit pas être raccordé à une source dont la pression peut dépasser 3,39 MPa (33,9 bar).
 - Assurez-vous que la pression fournie par le système d'air comprimé ne dépasse pas la pression permise maximale de la cloueuse. Réglez d'abord la pression d'air sur la plus basse valeur de pression permise recommandée (voir SPÉCIFICATIONS).
 - Cet outil doit être exclusivement utilisé avec de l'air comprimé. L'utilisation d'une bouteille de gaz (dioxyde de carbone, oxygène, nitrogène, hydrogène, air, etc.) ou de gaz combustible (hydrogène, propane, acétylène, etc.) comme source d'alimentation de cet outil entraînera une explosion et risque de causer une blessure grave.
 - Avant d'utiliser l'outil, assurez-vous qu'il est en bon état et qu'aucune de ses vis n'est desserrée. Le cas échéant, serrez les vis.
 - Assurez-vous que tous les dispositifs de sécurité sont en état de fonctionner avant d'utiliser l'outil. L'outil ne doit pas s'activer si vous appuyez uniquement sur la gâchette ou si vous appuyez simplement le dispositif de contact contre le bois. Il ne doit s'activer que lorsque ces deux actions sont exécutées. Recherchez un éventuel dysfonctionnement en effectuant un test avec des clous non chargés et le poussez en position entièrement tiré.
 - Pour éviter tout risque de choc électrique, de fuite de gaz, d'explosion, etc., provoqué par le contact avec des fils dénudés, des conduites ou des tuyaux de gaz, vérifiez les murs, les plafonds, le plancher, le toit, etc.
 - N'utilisez que les clous spécifiés dans ce manuel. L'outil risque de mal fonctionner si vous utilisez tout autre type de clou.
 - N'utilisez jamais les cloueuses qui portent le symbole « Ne pas utiliser sur des échafaudages ou échelles » pour des travaux spécifiques, comme par exemple:
 - lorsque le changement de la position de clouage implique l'utilisation d'un échafaudage, d'un escalier ou d'une échelle, par ex. pour clouer des lattes de toit ;
 - la fermeture de boîtes ou de caisses ;
 - l'installation de dispositifs de sécurité pour le transport, comme par exemple sur des véhicules ou des wagons.
 - Seules les personnes ayant pris connaissance du fonctionnement de l'outil doivent être autorisées à l'utiliser.
 - Avant de procéder au clouage, assurez-vous que personne ne se trouve à proximité. N'essayez jamais de clouer simultanément l'intérieur et l'extérieur d'une pièce. Cela est très dangereux, car les clous risquent alors de défoncer la pièce et/ou d'être projetés.
 - Regardez où vous posez les pieds et assurez-vous d'un bon équilibre pendant l'utilisation de l'outil. Assurez-vous qu'il n'y a personne au-dessous de vous lorsque vous travaillez dans un endroit élevé, et fixez le tuyau d'air de sorte qu'il ne risque pas de se détacher s'il est secoué ou s'il se coince.
 - Sur les toits et autres endroits élevés, clouez en vous déplaçant vers l'avant. Vous pouvez facilement perdre pied si vous clouez en vous déplaçant à reculons. Lorsque vous clouez sur une surface verticale, faites-le du haut vers le bas. De cette façon le travail de clouage sera moins exigeant physiquement.
 - Le clou risque de se plier ou l'outil de se bloquer si vous clouez par inadvertance dans un nœud ou sur un autre clou. Le clou risque alors d'être projeté et de frapper quelqu'un, ou bien l'outil lui-même risque de réagir de manière dangereuse. Choisissez l'emplacement des clous avec soin.
 - N'abandonnez pas pendant une période prolongée un outil chargé ou un compresseur d'air sous pression exposé au soleil à l'extérieur. Assurez-vous de toujours

déposer l'outil là où la poussière, le sable, les copeaux et corps étrangers ne risquent pas d'y pénétrer.

- Ne pointez jamais la sortie d'éjection vers une personne située à proximité. Gardez les mains et les pieds à l'écart de la zone de la sortie d'éjection.
- Pour transporter l'outil ou le donner à quelqu'un alors que le tuyau d'air est raccordé, ne posez pas le doigt sur la gâchette. Le déclenchement accidentel de l'outil peut être extrêmement dangereux.
- Manipulez l'outil prudemment, car la pression élevée à l'intérieur de l'outil représente un danger si une fissure est provoquée par une manipulation brusque (si vous échappez ou heurtez l'outil). Ne tentez jamais de tailler ou graver une inscription sur l'outil.
- Cessez immédiatement le clouage si vous notez une anomalie ou un fonctionnement inhabituel de l'outil.
- Déconnectez toujours le tuyau d'air et retirez tous les clous dans les cas suivants :
 - (9) Lorsque l'outil est laissé sans surveillance.
 - (10) Avant d'effectuer tout travail de maintenance ou de réparation sur l'outil.
 - (11) Avant de réparer un blocage.
 - (12) Avant de déplacer l'outil vers un autre lieu.
- Procédez au nettoyage et à la maintenance de l'outil une fois le travail terminé. Maintenez l'outil en excellente condition. Lubrifiez les pièces mobiles pour éviter qu'elles ne rouillent et pour limiter l'usure liée à la friction. Retirez toute poussière déposée sur les pièces.
- Ne modifiez pas l'outil sans l'autorisation de Makita.
- Confiez régulièrement l'outil à un centre de service après-vente agréé Makita pour le faire inspecter.
- Pour maintenir la SÉCURITÉ et la FIABILITÉ de l'outil, sa maintenance et ses réparations doivent être effectuées dans un centre de service après-vente agréé Makita, exclusivement avec des pièces de rechange Makita.
- Utilisez exclusivement l'huile pour outil pneumatique spécifiée dans ce manuel.
- Ne connectez jamais l'outil à une conduite d'air comprimé sur laquelle la pression permise maximale de l'outil ne peut pas être dépassée de 10 %. Assurez-vous que la pression fournie par le système d'air comprimé ne dépasse pas la pression permise maximale de la cloueuse. Réglez d'abord la pression d'air sur la plus basse valeur de pression permise recommandée.
- N'essayez pas de garder le dispositif de contact de la gâchette enfoncé à l'aide de ruban adhésif ou de fil. Il y a risque de décès ou de blessure grave.
- Vérifiez toujours le dispositif de contact en suivant les instructions du présent manuel. Des clous risquent d'être éjectés accidentellement si le mécanisme de sécurité ne fonctionne pas correctement.

CONSERVEZ CES INSTRUCTIONS.

INSTALLATION

Sélection du compresseur (Fig. 2)

Le compresseur à air doit être conforme aux normes EN60335-2-34.

Sélectionnez un compresseur dont la pression et la sortie d'air sont suffisantes pour assurer un bon rapport coût-rendement lors de l'utilisation. Le graphique montre la relation entre la fréquence de clouage, la pression applicable et la sortie d'air du compresseur.

Ainsi, par exemple, si le clouage s'effectue à un taux d'environ 50 clous par minute avec une compression de 1,76 MPa (17,6 bar), il faudra un compresseur dont la sortie d'air est supérieure à 90 litres/minute. Des régulateurs de pression doivent être utilisés pour limiter la pression d'air à la pression nominale de l'outil quand l'alimentation de la pression d'air excède la pression nominale de l'outil. Autrement il y a risque de blessure pour l'utilisateur ou les personnes se trouvant à proximité.

Sélection du tuyau d'air (Fig. 3)

Utilisez un tuyau d'air résistant aux pressions élevées. Utilisez un tuyau d'air aussi gros et court que possible pour assurer un clouage continu et efficace.

ATTENTION:

- La capacité d'entraînement de l'outil risque de diminuer si la sortie d'air du compresseur est faible ou si le diamètre du tuyau d'air est trop grand ou trop petit par rapport à la fréquence de clouage de l'outil.

Lubrification (Fig. 4)

Pour assurer un rendement optimal, installez un dispositif d'air (huileur, régulateur, filtre à air) le plus près possible de l'outil. Réglez le huileur de sorte qu'une goutte d'huile soit fournie tous les 30 clous.

Lorsqu'un dispositif d'air n'est pas utilisé, huilez l'outil avec de l'huile pour outil pneumatique en versant 2 (deux) ou 3 (trois) gouttes dans le raccord à air. Cela doit être fait avant et après l'utilisation. Pour une lubrification adéquate, il faut activer l'outil à plusieurs reprises après y avoir versé de l'huile à outil pneumatique. (Fig. 5)

DESCRIPTION DU FONCTIONNEMENT

ATTENTION:

- Déconnectez toujours le tuyau avant de régler ou de vérifier le fonctionnement de l'outil.

Réglage de la profondeur de clouage (Fig. 6)

Pour régler la profondeur de clouage, tournez la bague de réglage. La profondeur de clouage est maximale lorsque la bague de réglage est tournée complètement dans le sens A indiqué sur la figure. Elle diminue à mesure que l'on tourne la bague de réglage dans le sens B. S'il n'est pas possible de planter les clous assez profondément lorsque la bague de réglage est complètement tournée dans le sens A, augmentez la pression d'air. Si les clous sont plantés trop profondément même lorsque la bague de réglage est complètement tournée dans le sens B, réduisez la pression d'air. En général, la durée de service de l'outil sera plus longue si l'outil est utilisé avec une pression d'air plus basse et si la bague de réglage est placée sur une profondeur de clouage plus faible.

ATTENTION:

- Déconnectez toujours le tuyau avant de régler la profondeur de clouage.

Crochet (Fig. 7)

ATTENTION:

- Déconnectez toujours le tuyau de l'outil.
- Ne suspendez jamais l'outil dans un endroit élevé ou sur une surface qui risque d'être instable.

L'outil est équipé d'un fermoir pratique qui permet de le suspendre temporairement.

Réglage du guide de bardeau (Fig. 8 et 9)

Le guide de bardeau est conçu pour une exposition au bardeau consistante. Placez le bardeau dans la position désirée.

Tournez le levier dans le sens des aiguilles d'une montre pour libérer la plaque de réglage. Réinitialiser l'outil sur le bardeau exposé avec les projections du dispositif de contact en appuyant sur la partie inférieure de la rangée précédente du bardeau. Coulissez la plaque de réglage vers le haut contre la partie inférieure du bardeau exposé et tournez le levier dans le sens contraire des aiguilles d'une montre pour verrouiller la plaque de réglage.

ASSEMBLAGE

ATTENTION:

- Déconnectez toujours le tuyau avant d'effectuer tout travail sur l'outil.

Chargement de la cloueuse (Fig. 10)

Sélectionnez les clous qui conviennent au type de travail. Appuyez sur le levier de fermeture et ouvrez le capuchon du magasin.

Levez et tournez la plaque de soutien de la bobine de sorte que la flèche avec la taille du clou indiquée sur la plaque de soutien de la bobine pointera vers l'incrément de graduation correspondante marqué sur le magasin. Si l'outil est utilisé avec la plaque de soutien de la bobine réglée sur le mauvais pas, une pauvre alimentation en clous ou un mauvais fonctionnement de l'outil pourrait en résulter. (Fig. 11)

Positionnez la bobine de clous au-dessus de la plaque de soutien de la bobine. Dévidez suffisamment de clous pour atteindre la griffe d'alimentation. Placez le premier clou dans le canal de l'entraîneur à griffes et le deuxième clou dans la griffe d'alimentation.

Placez les autres clous dévidés sur le châssis du dispositif d'alimentation. Fermez le capuchon du magasin après avoir vérifié que la bobine de clous est en place dans le magasin. (Fig. 12)

Connexion du tuyau d'air (Fig. 13)

Glissez la prise d'air du tuyau d'air dans le raccord à air de la cloueuse. Assurez-vous que la prise d'air se verrouille fermement en position une fois installée dans le raccord à air. Un coupleur de tuyau doit être installé sur ou près de l'outil, de sorte que le réservoir de pression se vide lorsque le coupleur d'alimentation en air est déconnecté.

UTILISATION

ATTENTION:

- Assurez-vous que tous les dispositifs de sécurité sont en état de fonctionner avant d'utiliser l'outil.
1. Pour planter un clou, vous pouvez placer le dispositif de contact contre la pièce à travailler et appuyer sur la gâchette, ou (Fig. 14 et 15)
 2. Commencez par appuyer sur la gâchette, puis placez le dispositif de contact contre la pièce à travailler.
- La première méthode est utilisée pour le clouage occasionnel, lorsque vous souhaitez planter un clou prudemment et très précisément. La deuxième méthode est utilisée pour le clouage en continu.

ATTENTION:

- Cependant, lorsque l'outil est réglé en mode "Clouage occasionnel", AVEC LA GÂCHETTE MAINTENUE À MI-COURSE, un clouage inattendu risque de se produire si le dispositif de contact touche à nouveau la pièce ou toute autre surface sous l'effet du recul. Pour éviter ce clouage inattendu, procédez comme suit:
 - A. N'appliquez pas une force excessive lorsque vous placez le dispositif de contact contre la pièce.
 - B. Appuyez à fond sur la gâchette et maintenez-la enfoncée pendant 1 à 2 secondes après le clouage.
- Pour la première méthode, réglez le levier de changement en position $\Delta \leftarrow$. Pour la deuxième méthode, réglez le levier de changement en position $\Delta \rightleftarrows$. Après avoir utilisé le levier de changement pour changer de méthode de clouage, assurez-vous toujours que le levier de changement est correctement réglé selon la méthode de clouage souhaitée. (Fig. 16 et 17)

MAINTENANCE

ATTENTION:

- Déconnectez toujours le tuyau d'air de l'outil avant d'effectuer l'inspection ou la maintenance.

Clou bloqué (Fig. 18)

ATTENTION:

- Débranchez toujours le tuyau d'air et enlevez les clous du magasin avant de supprimer un blocage.

Quand un clou est bloqué, procédez comme suit :

Ouvrez le capuchon du magasin et enlevez la bobine à clous. Insérez une petite tige ou autre similaire dans le port d'éjection et tapez la avec un marteau pour sortir le clou bloqué du port d'éjection. Réinitialisez la bobine de clous et fermez le capuchon du magasin.

Nettoyage et enlèvement du goudron et de la saleté

L'adhérence de goudron et de saleté dans les zones autour du dispositif de contact empêche les mouvements sans à-coups du dispositif de contact (mécanisme de sécurité), entraînant des décharges accidentelles. Nettoyez périodiquement les zones autour du dispositif de contact. Utilisez un solvant tel que le kérosène, de l'huile lourde n°2 ou du carburant diesel. N'immergez que le dispositif de contact et les zones autour du port d'éjection dans le solvant et enlevez le goudron et la saleté avec une brosse. Portez toujours des

gants étanches à l'eau pour protéger vos mains. N'immergez jamais le logement, magasin, etc. dans le solvant. Un mauvais fonctionnement de l'outil peut en résulter. Mettez toujours au rebut le solvant utilisé de manière sûre et prudente, conformément aux règlements des codes locaux et nationaux. (Fig. 19)

Séchez l'outil avant toute utilisation. Tout film d'huile laissé après le nettoyage accélérera l'accumulation du goudron, et l'outil aura besoin d'un nettoyage plus fréquent. Après avoir séché l'outil, huilez les pièces en mouvement afin de prévenir toute rouille et assurer une bonne lubrification et un bon fonctionnement de ces pièces.

AVERTISSEMENT:

- N'utilisez jamais d'essence ou d'autres liquides similaires hautement volatiles pour le nettoyage. Les vapeurs de ces liquides peuvent pénétrer dans l'outil et s'enflammer au contact d'étincelles produites durant le clouage, provoquant une explosion.

Purge de l'outil

Désolidarisez le tuyau de l'outil. Placez l'outil de sorte que le raccord à air soit orienté vers le sol. Purgez-le au maximum.

Nettoyage de l'outil

Le fer pulvérulent qui adhère à l'aimant peut être soufflé à l'aide d'un lance-poussière pneumatique.

Coiffe

Lorsque vous n'utilisez pas le tuyau, débranchez-le. Ensuite, recouvrez le raccord à air à l'aide de la coiffe. (Fig. 20)

Stockage

Lorsque vous n'utilisez pas la cloueuse, rangez-la dans un endroit chaud et sec.

Maintenance du compresseur, du dispositif d'air et du tuyau d'air. (Fig. 21 et 22)

Après l'utilisation, vidangez toujours le réservoir du compresseur et le filtre à air. Si de l'humidité pénètre dans l'outil, elle risque de causer un rendement médiocre, voire une panne de l'outil.

Vérifiez régulièrement qu'il y a assez d'huile pour l'outil pneumatique dans le huileur du dispositif d'air. Les joints toriques s'useront rapidement en cas de lubrification insuffisante. (Fig. 23)

Gardez le tuyau d'air à l'écart de la chaleur (plus de 60°C ou 140°F) et des produits chimiques (diluants, acides puissants ou alcalis). Faites courir le tuyau à l'écart de tout obstacle sur lequel il risquerait de se coincer dangereusement pendant l'utilisation.

Les tuyaux doivent être placés à l'écart des bords tranchants et des zones susceptibles d'entraîner des dommages ou de l'abrasion sur le tuyau. (Fig. 24)

Pour assurer la SÉCURITÉ et la FIABILITÉ du produit, toute réparation et tout travail d'entretien ou de réglage doivent être effectués par un Centre de service après-vente agréé Makita, avec des pièces de rechange Makita.

accessoire ou pièce complémentaire comporte un risque de blessures. Utilisez uniquement l'accessoire ou la pièce complémentaire dans le but spécifié.

Pour obtenir plus de détails sur ces accessoires, contactez le Centre de service après-vente local Makita.

- Clous
- Tuyaux d'air
- Lunettes de sécurité

Pour les pays d'Europe uniquement

ENG046-2

Bruit et vibrations

Les niveaux de bruit pondéré A typiques sont les suivants:

niveau de pression sonore : 84 dB (A)

niveau de puissance sonore : 97 dB (A).

Incertitude (K) : 1,5 m/s²

Portez des protections auditives.

La valeur d'accélération quadratique pondérée typique est 3,0 m/s².

Ces valeurs ont été obtenues selon EN792.

DÉCLARATION DE CONFORMITÉ CE

ENH013-7

Modèle; AN450H

Nous déclarons, sous notre entière responsabilité, que ce produit répond aux normes suivantes de documents normalisés;

EN792 conformément aux Directives du Conseil 98/37/CE.

CE 2008



Tomoyasu Kato
Directeur

Fabricant responsable:

Makita Corporation

3-11-8, Sumiyoshi-cho, Anjo, Aichi, JAPON

Représentant agréé en Europe:

Makita International Europe Ltd.

Michigan Drive, Tongwell, Milton Keynes, Bucks MK15 8JD, ANGLETERRE

ACCESSOIRES

ATTENTION :

- Ces accessoires ou pièces complémentaires sont recommandés pour l'utilisation avec l'outil Makita spécifié dans ce manuel. L'utilisation de tout autre

DEUTSCH

Erklärung der Gesamtdarstellung

- | | | |
|---------------------------------------|-------------------------|--------------------|
| 1. Schutzbrille | 11. Vorsprung | 22. Auslöser |
| 2. Gesichtsschutz | 12. Hebel | 23. Werkstück |
| 3. Kompressor-Luftleistung pro Minute | 13. Ausrichtplatte | 24. Umschalthebel |
| 4. Nagelfrequenz | 14. Magazinkappe | 25. Stab |
| 5. Druckluftöl | 15. Verriegelungshebel | 26. Auswurföffnung |
| 6. Einsteller | 16. Coil-Aufnahmeplatte | 27. Kappe |
| 7. Haken | 17. Skala | 28. Ablasshahn |
| 8. Kontaktfuß | 18. Pfeil | 29. Luftfilter |
| 9. Schindelführung | 19. Beschickungsgreifer | 30. Öl |
| 10. Schindel | 20. Anschlussnippel | |
| | 21. Anschlussmuffe | |

TECHNISCHE DATEN

Modell	AN450H
Luftdruck	1,28 - 2,26 MPa (12,8 - 22,6 bar)
Nagellänge	19 mm bis 45 mm
Kapazität Nagelmagazin	120 Stk.
Min. Schlauchdurchmesser	5,0 mm
Druckluftwerkzeugöl	Turbinenöl
Abmessungen (L x H x B)	287 mm X 276 mm X 117 mm
Nettogewicht	2,2 kg

- Aufgrund unserer beständigen Forschungen und Weiterentwicklungen sind Änderungen an den hier angegebenen Technischen Daten ohne Vorankündigung vorbehalten.
- Hinweis: Die Technischen Daten können in verschiedenen Ländern voneinander abweichen.

Symbole END106-2

Im Folgenden sind die im Zusammenhang mit diesem Werkzeug verwendeten Symbole dargestellt. Machen Sie sich vor der Benutzung des Werkzeugs unbedingt mit diesen Symbolen vertraut.



.....Lesen Sie die Bedienungsanleitung.



.....Tragen Sie eine Schutzbrille.



.....Werkzeug nicht auf Gerüsten oder Leitern verwenden!

Verwendungszweck ENE059-1

Das Werkzeug dient zu vorbereitenden Arbeiten beim Innenausbau wie z. B. dem Befestigen von Decken-Unterkonstruktionen, Sparren und Streben in 2" x 4"-Verzapfungen.

WICHTIGE SICHERHEITSGEDELN

ENB109-2

WICHTIGE SICHERHEITSHINWEISE: ZUR VERMEIDUNG VON VERLETZUNGEN SIND BEI DER BENUTZUNG DIESES WERKZEUGS DIE ALLGEMEINEN REGELN DES ARBEITSSCHUTZES UND INSBESONDERE DIE FOLGENDEN ANWEISUNGEN EINZUHALTEN:

LESEN SIE DIESE ANLEITUNG VOLLSTÄNDIG DURCH!

- Um Ihre persönliche Sicherheit, sachgerechten Betrieb und ordnungsgemäße Wartung des Werkzeugs zu gewährleisten, lesen Sie vor der Benutzung des Werkzeugs diese Bedienungsanleitung vollständig durch.
- Tragen Sie stets eine Schutzbrille, um Ihre Augen vor Staub und vor Verletzungen durch Nägel zu schützen.
WARNUNG:
Das Durchsetzen des Gebrauchs von Augenschutz durch die Benutzer des Werkzeugs und durch andere Personen im unmittelbaren Arbeitsbereich liegt in der Verantwortung des Arbeitgebers/Auftraggebers.
- Nur für Australien und Neuseeland: Tragen Sie zum Schutz Ihrer Augen vor Verletzungen durch Staub, Schmutz oder Nägel stets eine Schutzbrille und einen Gesichtsschutz. Die Schutzbrille und der Gesichtsschutz müssen die Anforderungen der Regelung AS/NZS 1336 erfüllen.
WARNUNG:
Das Durchsetzen des Gebrauchs von Augenschutz durch die Benutzer des Werkzeugs und durch andere Personen im unmittelbaren Arbeitsbereich liegt in der Verantwortung des Arbeitgebers/Auftraggebers.
(Abb. 1)
- Tragen Sie einen Gehörschutz, um Ihre Ohren vor dem Auslassgeräusch zu schützen, und tragen Sie darüber hinaus einen Kopfschutz. Tragen Sie außerdem leichte, aber keine weite Kleidung. Ärmel müssen

- zugeknöpft oder hochgerollt sein. Das Tragen einer Krawatte ist unzulässig.
- Ein überhastetes Ausführen der Arbeit und der Gebrauch des Werkzeugs mit zu hohem Kraftaufwand sind gefährlich. Gehen Sie mit dem Werkzeug sorgfältig um. Benutzen Sie das Werkzeug nicht, wenn Sie unter Einfluss von Alkohol, Drogen oder dergleichen stehen.
 - Grundsätzliche Richtlinien zur Handhabung des Werkzeugs:
 - (1) Gehen Sie stets davon aus, dass sich Nägel im Werkzeug befinden.
 - (2) Richten Sie das Werkzeug niemals auf sich selbst oder andere Personen, auch dann nicht, wenn sich keine Nägel im Werkzeug befinden.
 - (3) Lösen Sie das Werkzeug erst dann aus, nachdem es fest auf das Werkstück aufgesetzt wurde.
 - (4) Sehen Sie das Werkzeug als Hilfsmittel für Ihre Arbeit an.
 - (5) Kein Unfug!
 - (6) Halten oder tragen Sie das Werkzeug nicht mit dem Finger am Auslöser.
 - (7) Laden Sie das Werkzeug nicht mit Nägeln auf, wenn eines der Auslöseelemente aktiviert ist.
 - (8) Betreiben Sie das Werkzeug ausschließlich mit einer in den Betriebs-/Sicherheitsanweisungen des Werkzeugs vorgegebenen Energiequelle.
 - Ein Werkzeug, das Defekte aufweist, darf nicht verwendet werden.
 - Bei der Benutzung des Werkzeugs kann es gelegentlich zu einem Funkenflug kommen. Benutzen Sie das Werkzeug nicht in der Nähe leicht flüchtiger, brennbarer Substanzen wie Benzin, Verdünner, Lack, Gas, Klebstoff usw., da sich derartige Stoffe entzünden und explodieren können, wodurch es zu schweren Verletzungen kommen kann.
 - Der Arbeitsplatz muss ausreichend beleuchtet sein, um ein sicheres Arbeiten zu gewährleisten. Der Arbeitsplatz muss sauber und aufgeräumt sein. Achten Sie besonders auf festen Stand und auf Gleichgewicht.
 - In der Nähe sollten sich nur die mit der Ausführung der Arbeiten beschäftigten Personen aufhalten. Achten Sie besonders darauf, dass sich keine Kinder in der Nähe befinden.
 - Befolgen Sie etwaige örtliche Lärmschutzvorschriften, halten Sie insbesondere die vorgeschriebenen Grenzen für Geräuschpegel ein. In bestimmten Fällen sollte der Lärmpegel mit Hilfe von Jalousien gedämpft werden.
 - Gehen Sie mit dem Kontaktfuß sorgfältig um: Dieser Fuß verhindert ein versehentliches Auslösen. Daher muss er stets am Werkzeug verbleiben und darf nicht entfernt werden. Auch das Arretieren des Auslösers in Auslösestellung ist sehr gefährlich. Versuchen Sie niemals, den Auslöser zu arretieren. Benutzen Sie das Werkzeug nicht, wenn eines der Bedienelemente des Werkzeugs funktionsunfähig oder mangelhaft ist oder demontiert oder abgeändert wurde.
 - Betreiben Sie das Werkzeug ausschließlich innerhalb des vorgeschriebenen Luftdruckbereichs von 0,98 bis 2,26 MPa (9,8 bis 22,6 bar), um die Sicherheit und eine längere Lebensdauer des Werkzeugs zu gewährleisten. Ein Überschreiten des empfohlenen maximalen Betriebsdrucks von 2,26 MPa (22,6 bar) ist unzulässig. Das Anschließen des Werkzeugs an eine Druckluftquelle, die einen höheren Druck als 3,39 MPa (33,9 bar) erzeugen kann, ist verboten.
 - Stellen Sie sicher, dass der vom Druckluftsystem erzeugte Luftdruck nicht den maximal zulässigen Luftdruck des Naglers überschreitet. Stellen Sie den Luftdruck anfänglich auf die Untergrenze des zulässigen Drucks ein (siehe TECHNISCHE DATEN).
 - Betreiben Sie das Werkzeug ausschließlich mit Druckluft. Bei Verwendung von Flaschengas (Kohlendioxid, Sauerstoff, Stickstoff, Wasserstoff, Pressluft usw.) oder brennbarem Gas (Wasserstoff, Propan, Acetylen usw.) als Treibgas für dieses Werkzeug besteht die Gefahr, dass das Werkzeug explodiert und schwere Verletzungen verursacht.
 - Überprüfen Sie das Werkzeug vor der Benutzung stets auf seinen Allgemeinzustand und auf lockere Schrauben. Ziehen Sie ggf. lockere Schrauben fest.
 - Stellen Sie vor der Benutzung des Werkzeugs sicher, dass alle Sicherheitssysteme in funktionsfähigem Zustand sind. Das Werkzeug darf nicht auslösen, wenn allein der Auslöser betätigt oder allein der Kontaktausleger gegen das Holz gedrückt wird. Es darf nur dann auslösen, wenn beide Aktionen durchgeführt werden. Überprüfen Sie das Werkzeug mit leerem Magazin und voll angezogenem Drücker auf möglichen fehlerhaften Betrieb.
 - Überprüfen Sie Wände, Decken, Fußböden, Dächer und dergleichen sorgfältig auf möglicherweise dort verlegte Elektrokabel, Gasrohre oder sonstige Rohre und Leitungen, um elektrische Schläge, Gaslecks, Explosionen usw. zu vermeiden.
 - Verwenden Sie nur die in dieser Anleitung vorgegebenen Nägel. Bei Verwendung anderer Nägel kann es zu einer Fehlfunktion des Werkzeugs kommen.
 - Benutzen Sie Nagler mit der Aufschrift „Nicht auf Gerüsten, Leitern verwenden“ niemals für bestimmte Arbeiten wie z. B.:
 - wenn für einen Umstieg zwischen den Positionen für das Einbringen eines Nagels Gerüste, Treppen, Leitern oder leiterähnliche Konstruktionen wie z. B. Dachlatten benötigt werden,
 - Verschließen von Kisten oder Verschlüssen,
 - Anbringen von Transportsicherungen z. B. an Fahrzeugen oder Eisenbahnwagen.
 - Personen, die nicht entsprechend geschult sind, ist die Benutzung des Werkzeugs ausdrücklich zu untersagen.
 - Stellen Sie vor Beginn der Nagelarbeiten sicher, dass sich keine Personen in der Nähe befinden. Führen Sie Nagelarbeiten niemals gleichzeitig von innen und außen durch. Nägel können durchschlagen und/oder herausfliegen und dabei eine große Gefahr darstellen.
 - Achten Sie beim Arbeiten mit dem Werkzeug auf sicheren Stand und auf Gleichgewicht. Stellen Sie sicher, dass sich bei Arbeiten an hochgelegenen Arbeitsplätzen keine Personen unterhalb Ihres Standorts aufhalten, um Gefahren zu vermeiden, wenn der Luftschlauch plötzlich ruckt oder an Hindernissen hängen bleibt.
 - Bewegen Sie sich beim Nageln auf Dächern und anderen hochgelegenen Orten in Vorwärtsrichtung.

Wenn Sie sich rückwärts bewegen, können Sie leicht den Stand verlieren. Nageln Sie bei Arbeiten an senkrechten Flächen von oben nach unten. Das Ausführen von Nagelarbeiten auf diese Weise ist weniger ermüdend.

- Wenn Sie versehentlich auf einen anderen Nagel oder einen Ast im Holz treffen, kann sich der Nagel verbiegen oder im Werkzeug verklemmen. Der Nagel kann herausgeschleudert werden und Personen treffen, oder das Werkzeug selbst kann sich gefährlich verhalten. Setzen Sie die Nägel mit Sorgfalt.
- Belassen Sie ein mit Nägeln geladenes Werkzeug oder einen Kompressor nicht längere Zeit in der Sonne, wenn diese unter Druck stehen. Achten Sie darauf, dass am Ablageplatz des Werkzeugs keine Fremdkörper wie Staub, Sand, Späne oder sonstige Materialien in das Werkzeug eindringen.
- Richten Sie die Auswurföffnung nicht auf Personen in der Nähe. Halten Sie Hände und Füße vom Bereich der Auswurföffnung fern.
- Tragen Sie das Werkzeug bei angeschlossenem Luftschlauch nicht mit dem Finger am Auslöser, und übergeben Sie es in diesem Zustand auch nicht an andere Personen. Ein versehentliches Auslösen kann äußerst gefährlich sein.
- Gehen Sie mit dem Werkzeug sorgfältig um. Das Werkzeug steht unter hohem Druck, wodurch ein durch grobe Behandlung (Fallenlassen oder Anstoßen) verursachter Riss eine hohe Gefahr darstellt. Bringen Sie niemals Einritzungen oder Gravuren in das Werkzeug ein.
- Brechen Sie die Nagelarbeiten sofort ab, wenn Sie einen Defekt oder etwas Ungewöhnliches am Werkzeug feststellen.
- Trennen Sie unter folgenden Gegebenheiten stets den Luftschlauch ab, und entfernen Sie alle Nägel aus dem Werkzeug:
 - (9) wenn das Werkzeug unbeaufsichtigt ist
 - (10) bevor Sie Wartungs- oder Reparaturarbeiten durchführen
 - (11) bevor Sie einen Nagelstau beseitigen
 - (12) bevor Sie das Werkzeug an einen anderen Ort transportieren.
- Nehmen Sie unmittelbar nach Abschluss der Arbeiten eine Reinigung und Wartung vor. Halten Sie das Werkzeug stets in einwandfreiem Zustand. Schmieren Sie bewegliche Teile, um Rostbildung zu verhindern und Reibungsverlust zu minimieren. Säubern Sie alle Teile von Staub.
- Nehmen Sie keine Veränderungen am Werkzeug vor, die nicht von Makita genehmigt wurden.
- Lassen Sie das Werkzeug regelmäßig von autorisierten Makita-Servicecentern überprüfen.
- Um die SICHERHEIT und ZUVERLÄSSIGKEIT des Produkts zu gewährleisten, sollten Wartungsarbeiten und Reparaturen nur durch von Makita autorisierte Servicecentern durchgeführt und abschließlich Makita-Ersatzteile verwendet werden.
- Verwenden Sie ausschließlich das in dieser Anleitung vorgegebene Druckluftwerkzeug-Öl.
- Schließen Sie das Werkzeug niemals an eine Druckluftleitung an, bei welcher der maximal zulässige Luftdruck des Werkzeugs um 10 % überschritten werden kann. Stellen Sie sicher, dass der vom

Druckluftsystem erzeugte Luftdruck nicht den maximal zulässigen Luftdruck des Naglers überschreitet. Stellen Sie den Luftdruck anfänglich auf den unteren Wert des empfohlenen zulässigen Drucks ein.

- Versuchen Sie niemals, den Kontaktfuß des Auslösers mittels Klebeband, Draht o.ä. dauerhaft in gedrückter Stellung zu fixieren. Dies kann zu schweren oder gar tödlichen Verletzungen führen.
- Überprüfen Sie stets den Kontaktfuß entsprechend der Vorgaben in diesem Handbuch. Wenn der Sicherheitsmechanismus nicht ordnungsgemäß funktioniert, können unbeabsichtigte Nägel aus dem Werkzeug geschossen werden.

BEWAHREN SIE DIESE ANWEISUNGEN SORGFÄLTIG AUF.

INSTALLATION

Auswählen des Kompressors (Abb. 2)

Der Kompressor muss den Anforderungen von EN60335-2-34 entsprechen.

Wählen Sie einen Kompressor mit ausreichender Luftdruck- und Luftmengenleistung, um einen wirtschaftlichen Betrieb zu gewährleisten. Im Diagramm ist die Beziehung zwischen Nagelfrequenz bei entsprechendem Luftdruck und entsprechender Kompressor-Luftleistung dargestellt.

Wenn der Nagelvorgang z. B. mit einer Rate von ca. 50 Auslösungen pro Minute bei einem Druck von 1,76 MPa (17,6 bar) erfolgen soll, wird ein Kompressor mit einer Luftmengenleistung von über 90 Litern pro Minute benötigt.

Wenn der Druck der Druckluftquelle den Nenndruck des Werkzeugs überschreitet, muss der Luftdruck mit Hilfe eines Luftdruckreglers auf den Nenndruck des Werkzeugs begrenzt werden. Bei Missachtung dieses Punkts kann es zu schweren Verletzungen des Bedieners oder von sich in der Nähe befindenden Personen kommen.

Auswahl des Luftschlauchs (Abb. 3)

Verwenden Sie einen Hochdruck-Luftschlauch.

Verwenden Sie einen möglichst dicken und kurzen Luftschlauch, um einen unterbrechungsfreien und wirkungsvollen Nagelvorgang zu gewährleisten.

ACHTUNG:

- Eine zu geringe Luftleistung des Kompressors oder ein Luftschlauch mit einer zu großen Länge oder einem zu kleinen Durchmesser in Bezug auf die Nagelfrequenz kann zu einem Absinken der Eintreibkraft des Werkzeugs führen.

Schmierung (Abb. 4)

Um eine maximale Leistung zu gewährleisten, sollte eine Druckluftarmatur (Öler, Regler, Luftfilter), möglichst nahe am Werkzeug, installiert werden. Stellen Sie den Öler so ein, dass er einen Tropfen Öl für jeweils 30 Nägel abgibt. Wenn keine Druckluftarmatur verwendet wird, ölen Sie das Werkzeug mit Druckluftwerkzeug-Öl, indem Sie 2 (zwei) bis 3 (drei) Tropfen in den Druckluftanschluss geben. Dies sollte vor und nach dem Gebrauch erfolgen. Um eine ordnungsgemäße Schmierung zu erreichen,

muss das Werkzeug nach dem Einbringen des Druckluftwerkzeug-Öls mehrere Male ausgelöst werden. (Abb. 5)

FUNKTIONSBESCHREIBUNG

ACHTUNG:

- Trennen Sie stets den Schlauch ab, bevor Sie die Funktion des Werkzeugs einstellen oder überprüfen.

Einstellen der Nageltiefe (Abb. 6)

Um die Nageltiefe einzustellen, drehen Sie den Einsteller. Die größte Nageltiefe ist gegeben, wenn der Einsteller vollständig in Richtung A, wie in der Abbildung dargestellt, gedreht wurde. Durch Drehen des Einstellers in Richtung B wird die Nageltiefe immer geringer. Falls die Eintreibtiefe der Nägel nicht groß genug ist, selbst wenn der Einsteller vollständig in Richtung A gedreht wird, erhöhen Sie den Luftdruck. Falls die Eintreibtiefe der Nägel zu groß ist, selbst wenn der Einsteller vollständig in Richtung B gedreht wird, verringern Sie den Luftdruck. Im Allgemeinen verlängert sich die Lebensdauer des Werkzeugs, wenn es bei niedrigem Luftdruck verwendet wird und der Einsteller auf eine geringere Eintreibtiefe eingestellt ist.

ACHTUNG:

- Trennen Sie stets den Schlauch ab, bevor Sie Arbeiten am Werkzeug ausführen.

Haken (Abb. 7)

ACHTUNG:

- Trennen Sie stets den Schlauch vom Werkzeug ab.
- Haken Sie das Werkzeug niemals an erhöhten Orten oder an einer instabilen Oberflächen ein.

Der Haken ist zum kurzzeitigen Aufhängen des Werkzeugs vorgesehen.

Einstellen der Schindelführung (Abb. 8 und 9)

Die Schindelführung dient der gleichmäßigen Ausrichtung der Schindeln. Bringen Sie die Schindel in die gewünschte Position.

Drehen Sie den Hebel im Uhrzeigersinn, um die Ausrichtplatte freizugeben. Setzen Sie das Werkzeug erneut so auf die ausgerichtete Schindel auf, dass die Vorsprünge des Kontaktfußes auf die Unterkante der vorherigen Schindelreihe drücken. Schieben Sie die Ausrichtplatte nach oben gegen die Unterkante der ausgerichteten Schindel und drehen Sie den Hebel entgegen dem Uhrzeigersinn, um die Ausrichtplatte zu arretieren.

MONTAGE

ACHTUNG:

- Trennen Sie stets den Druckluftschlauch ab, bevor Sie Arbeiten am Werkzeug ausführen.

Laden des Naglers (Abb. 10)

Wählen Sie die für die auszuführenden Arbeiten geeigneten Nägel aus. Drücken Sie den Verriegelungshebel nach unten und öffnen Sie die Magazinkappe.

Heben und drehen Sie die Coil-Aufnahmeplatte, so dass der Pfeil mit der auf der Coil-Aufnahmeplatte befindlichen Nagelgröße auf die entsprechende Skalenmarkierung auf dem Magazin zeigt. Wenn das Werkzeug mit einer falsch eingestellten Coil-Aufnahmeplatte betrieben wird, kann es zu einer mangelhaften Nagelbeschickung oder zu Fehlfunktionen kommen. (Abb. 11)

Platzieren Sie die Nagel-Coil über der Coil-Aufnahmeplatte. Spulen Sie genügend Nägel ab, damit der Beschickungsgreifer erreicht wird. Legen Sie den ersten Nagel in den Auswurfkanal und den zweiten in den Beschickungsgreifer.

Legen Sie die anderen, nicht abgespulten Nägel in das Beschickergehäuse. Kontrollieren Sie, dass die Nagel-Coil sauber im Magazin sitzt, und schließen Sie die Magazinkappe. (Abb. 12)

Anschließen des Luftschlauchs (Abb. 13)



Schieben Sie die Anschlussmuffe des Luftschlauchs auf den Anschlussnippel des Naglers. Vergewissern Sie sich, dass die Anschlussmuffe einrastet, nachdem sie auf den Anschlussnippel geschoben wurde. Am oder nahe am Werkzeug muss eine Schlauchkupplung installiert werden, über die der noch vorhandene Druck abgelassen werden kann, wenn die Kupplung an der Druckluftquelle abgetrennt wird.

BETRIEB

ACHTUNG:

- Stellen Sie vor der Benutzung des Werkzeugs sicher, dass alle Sicherheitssysteme in funktionsfähigem Zustand sind.
- 1. Um einen Nagel einzutreiben, setzen Sie den Kontaktfuß auf das Werkstück und ziehen Sie den Auslöser oder (Abb. 14 und 15)
- 2. Ziehen Sie zuerst den Auslöser, und setzen Sie dann den Kontaktfuß auf das Werkstück.
- Die Methode Nr. 1 eignet sich für das Nageln einzelner Nägel, wenn Sie einen Nagel sorgfältig und sehr genau eintreiben möchten. Die Methode Nr. 2 eignet sich für kontinuierliches Nageln.

ACHTUNG:

- Ist das Werkzeug jedoch auf den Modus „Einzelnes Nageln“ eingestellt, kann BEI HALB GEDRÜCKTEM AUSLÖSER ein plötzliches Auslösen erfolgen, falls der Kontaktfuß unter dem Einfluss des Rückpralls erneut mit dem Werkstück oder einer anderen Oberfläche in Berührung kommt. Um ein derartiges plötzliches Auslösen zu vermeiden, beachten Sie Folgendes:
 - A. Drücken Sie den Kontaktfuß nicht mit übermäßiger Kraft gegen das Werkstück.
 - B. Drücken Sie den Auslöser ganz durch, und halten Sie ihn nach dem Nageln noch 1 bis 2 Sekunden lang gedrückt.
 - Stellen Sie bei Methode (1) den Umschalthebel auf die Position .
 - Stellen Sie bei Methode (2) den Umschalthebel auf die Position .
- Nachdem Sie die Nagelmethode mit dem Umschalthebel geändert haben, vergewissern Sie sich stets, dass der Umschalthebel korrekt auf die Position

für die gewünschte Nagelmethode eingestellt ist.
(Abb. 16 und 17)

WARTUNG

ACHTUNG:

- Trennen Sie stets den Luftschlauch vom Werkzeug ab, bevor Sie eine Inspektion oder Wartung durchführen.

Blockierter Nagler (Abb. 18)

ACHTUNG:

- Trennen Sie stets den Luftschlauch ab, und entfernen Sie alle Nägel aus dem Magazin, bevor Sie einen Nagelstau beseitigen.

Gehen Sie bei einer Blockierung des Naglers folgendermaßen vor:

Öffnen Sie die Magazinkappe und entnehmen Sie die Nagel-Coil. Führen Sie einen dünnen Stab oder dergleichen in die Auswurföffnung ein, und klopfen Sie mit einem Hammer an den Stab, um den verklemmten Nagel aus der Auswurföffnung zu treiben. Legen Sie die Nagel-Coil wieder ein, und schließen Sie die Magazinkappe.

Reinigen und Entfernen von Teer und Schmutz

Durch das Ansammeln von Teer und Schmutz um den Kontaktfuß (Sicherheitsmechanismus) kann die freie Bewegung des Kontaktfußes beeinträchtigt werden, wodurch es zu einem unbeabsichtigten Auslösen des Werkzeugs kommen kann. Reinigen Sie den Bereich um den Kontaktfuß regelmäßig. Verwenden Sie ein Lösungsmittel wie Waschbenzin, Heizöl Nr. 2 oder Dieselloskraftstoff.

Tauchen Sie ausschließlich den Kontaktfuß und den Bereich um die Auswurföffnung in das Lösungsmittel, und entfernen Sie mit Hilfe einer Bürste Teer und Schmutz. Schützen Sie Ihre Hände mit Hilfe von wasserdichten Handschuhen. Tauchen Sie auf keinen Fall Gehäuse, Magazin usw. in das Lösungsmittel ein. Anderenfalls kann es zu einer Fehlfunktion des Werkzeugs kommen. Entsorgen Sie verbrauchtes Lösungsmittel stets unter Beachtung der vor Ort geltenden Gesetze und Bestimmungen auf sichere und umsichtige Weise.
(Abb. 19)

Trocknen Sie das Werkzeug vor Gebrauch. Durch einen nach dem Reinigen zurückgebliebenen Ölfilm lagert sich Teer schneller ab, wodurch das Werkzeug öfter gereinigt werden muss. Ölen Sie nach dem Abtrocknen des Werkzeugs bewegliche Teile, um Rostbildung zu verhindern und um für eine ausreichende Schmierung und ordnungsgemäßen Betrieb beweglicher Teile zu sorgen.

WARNUNG:

- Verwenden Sie für die Reinigung niemals Vergaserkraftstoff oder ähnliche hochflüchtige Flüssigkeiten. Die Dämpfe derartiger Flüssigkeiten können in das Werkzeug eindringen und sich durch beim Nageln entstehende Funken entzünden und eine Explosion verursachen.

Entwässern des Werkzeugs

Entfernen Sie den Schlauch vom Werkzeug. Halten Sie das Werkzeug mit dem Druckluftanschluss nach unten. Lassen Sie möglichst alles im Werkzeug vorhandene Wasser aus dem Werkzeug laufen.

Reinigen des Werkzeugs

Eisenspäne, die am Magneten hängen, lassen sich mit Druckluft abblasen.

Kappe

Trennen Sie den Schlauch ab, wenn das Werkzeug nicht verwendet wird. Setzen Sie anschließend eine Kappe auf den Druckluftanschluss auf. (Abb. 20)

Lagerung

Wenn das Werkzeug nicht verwendet wird, lagern Sie das Werkzeug an einem warmen und trockenen Platz.

Wartung von Kompressor, Druckluftarmatur und Luftschlauch (Abb. 21 und 22)

Nach jedem Betrieb muss das Wasser aus dem Druckluftbehälter und aus dem Luftfilter des Kompressors abgelassen werden. In das Werkzeug eindringende Feuchtigkeit kann eine Verschlechterung der Leistung und ein mögliches Versagen des Werkzeugs verursachen.

Prüfen Sie regelmäßig, ob im Ölter der Druckluftarmatur genügend Druckluftöl vorhanden ist. Eine Vernachlässigung der Schmierung führt zu schnellem Verschleiß der O-Ringe. (Abb. 23)

Halten Sie den Druckluftschlauch von Wärmequellen (über 60°C, über 140°F) und Chemikalien (Verdüner, starken Säuren oder Laugen) fern. Verlegen Sie den Schlauch so, dass sich der Schlauch nicht an Hindernissen verfangen kann. Wenn dies während des Betriebs geschieht, kann es zu gefährlichen Situationen kommen.

Der Schlauch darf auch nicht mit scharfen Kanten oder Gegenständen in Berührung kommen, die Beschädigungen oder Abrieb am Schlauch verursachen können. (Abb. 24)

Um die SICHERHEIT und ZUVERLÄSSIGKEIT des Produkts zu gewährleisten, sollten Reparaturen, Wartungsarbeiten und Einstellungen nur durch von Makita autorisierte Servicecentern durchgeführt und ausschließlich Makita-Ersatzteile verwendet werden.

ZUBEHÖR

ACHTUNG:

- Für das in diesem Handbuch beschriebene Makita-Werkzeug werden die folgenden Zubehör- und Zusatzteile empfohlen. Die Verwendung anderer Zubehör- und Zusatzteile kann zu Personenschäden führen. Verwenden Sie Zubehör- und Zusatzteile nur für den vorgesehenen Zweck.

Informationen zu diesem Zubehör erhalten Sie in einem Makita-Servicecenter in Ihrer Nähe.

- Nägel
- Druckluftschläuche
- Schutzbrillen

Nur für europäische Länder

ENG046-2

Geräusche und Vibrationen

Die typischen effektiven Geräuschpegel betragen für
Schalldruckpegel: 84 dB (A)
Schalleistungspegel: 97 dB (A).
Abweichung (K): 1,5 m/s²

Tragen Sie Gehörschutz.

Der typische effektive Beschleunigungswert beträgt
3,0 m/s².

Diese Werte wurden entsprechend der Norm EN792
ermittelt.

EU-KONFORMITÄTSERKLÄRUNG

ENH013-7

Modell: AN450H

Wir erklären in alleiniger Verantwortung, dass sich dieses
Produkt in Übereinstimmung mit den folgenden Normen
der Normdokumente

EN792 befindet sowie in Übereinstimmung mit den
Ratsverordnungen 98/37/EC.

CE 2008



Tomoyasu Kato
Direktor

Verantwortlicher Hersteller:

Makita Corporation

3-11-8, Sumiyoshi-cho, Anjo, Aichi, JAPAN

Autorisierte Vertretung in Europa:

Makita International Europe Ltd.

Michigan Drive, Tongwell, Milton Keynes, Bucks MK15
8JD, ENGLAND

Spiegazione della vista generale

1. Occhiali di protezione	11. Proiezione	21. Presa aria
2. Visiera protettiva	12. Lever	22. Grilletto
3. Uscita aria compressore al minuto	13. Piastra di regolazione	23. Pezzo in lavorazione
4. Frequenza di chiodatura	14. Coperchio del caricatore	24. Leva di selezione della modalità
5. Olio pneumatico	15. Leva del dispositivo di chiusura	25. Asticciola
6. Regolatore	16. Piastra di supporto della bobina	26. Foro di espulsione
7. Gancio	17. Regolazione	27. Coperchio
8. Elemento di contatto	18. Freccia	28. Rubinetto di scarico
9. Guida della scandola	19. Avanzamento pinze	29. Filtro aria
10. Scandola	20. Elemento aria	30. Oliatore

CARATTERISTICHE TECNICHE

Modello	AN450H
Pressione aria	1,28 - 2,26 Mpa (12,8 - 22,6 bar)
Lunghezza chiodi	19 mm - 45 mm
Capacità chiodi	120 pz.
Diametro minimo tubo	5,0 mm
Olio pneumatico	Olio per motori a turbina
Dimensioni (L x A x P)	287 mm x 276 mm x 117 mm
Peso netto	2,2 kg

- Le caratteristiche tecniche riportate di seguito sono soggette a modifiche senza preavviso in virtù del nostro programma continuo di ricerca e sviluppo.
- Nota: le caratteristiche tecniche possono differire da paese a paese.

Simboli

END106-2

Il seguente elenco riporta i simboli utilizzati per questo utensile. È importante comprenderne il significato prima di utilizzare l'utensile.



..... Leggere il manuale di istruzioni.



..... Indossare occhiali di protezione.



..... Non utilizzare su impalcature o scale a pioli.

Uso previsto

ENE059-1

L'utensile è progettato per il lavoro interno iniziale, come il fissaggio di travetti del pavimento o l'alloggiamento 2" x 4" di travicelli del tetto e altri oggetti di carpenteria.

ISTRUZIONI IMPORTANTI PER LA SICUREZZA

ENB109-2

ISTRUZIONI DI SICUREZZA IMPORTANTI

AVVERTENZA: PER RIDURRE IL RISCHIO DI LESIONI PERSONALI, QUANDO SI UTILIZZA QUESTO UTENSILE È NECESSARIO OSSERVARE SEMPRE LE PRECAUZIONI DI BASE PER LA SICUREZZA, COMPRESSE LE SEGUENTI:

LEGGERE TUTTE LE ISTRUZIONI.

- Per la propria sicurezza personale e per il funzionamento e la manutenzione corretti dell'utensile, leggere questo manuale di istruzioni prima dell'uso.
- Portare sempre gli occhiali di protezione per proteggere gli occhi dalla polvere e dai chiodi.
AVVERTENZA:
È responsabilità del datore di lavoro obbligare chi utilizza l'utensile e le persone nelle immediate vicinanze a indossare occhiali di protezione.
- Solo per l'Australia e la Nuova Zelanda Portare sempre gli occhiali di protezione e la visiera per proteggere gli occhi dalla polvere e dai chiodi. Gli occhiali di protezione e la visiera devono essere conformi ai requisiti della legge AS/NZS 1336.
AVVERTENZA:
È responsabilità del datore di lavoro obbligare chi utilizza l'utensile e le persone nelle immediate vicinanze a indossare occhiali di protezione. **(Fig. 1)**
- Indossare paraorecchi per proteggere le orecchie dal rumore di scarico. Indossare anche un casco. Indossare sempre abiti leggeri e aderenti. Le maniche devono essere abbottonate o rimboccate. Non indossare la cravatta
- È pericoloso lavorare con molta fretta o mettere l'utensile sotto sforzo. Maneggiare l'utensile con attenzione. Non usarlo sotto l'influenza di alcol, droghe e sostanze simili.
- Principi generali per l'uso sicuro dell'utensile:
 - (1) Presupporre sempre che l'utensile contenga i chiodi.

- (2) Non puntare l'utensile su di sé o sugli altri, che contenga o meno i chiodi.
 - (3) Non attivare l'utensile se questo non è appoggiato saldamente al pezzo.
 - (4) Utilizzare l'utensile come uno strumento di lavoro.
 - (5) Non giocare con l'utensile.
 - (6) Non tenere o trasportare l'utensile tenendo un dito sul grilletto.
 - (7) Non caricare i chiodi nell'utensile quando uno qualsiasi dei controlli di funzionamento è attivato.
 - (8) Non far funzionare l'utensile con una fonte di alimentazione diversa da quella specificata nelle istruzioni per l'uso/sicurezza.
- Non utilizzare l'utensile se non funziona correttamente.
 - Quando si usa l'utensile, a volte potrebbero volare delle scintille. Non usare l'utensile vicino a sostanze volatili e infiammabili, quali benzina, solventi, vernici, gas, adesivi, ecc., perché possono infiammarsi ed esplodere, causando lesioni gravi.
 - L'area di lavoro deve essere sufficientemente illuminata per garantire un funzionamento sicuro. L'area di lavoro deve essere pulita e senza rifiuti. Prestare particolare attenzione a mantenere un buon equilibrio e i piedi appoggiati correttamente.
 - Solo gli addetti ai lavori possono avvicinarsi all'area in cui viene utilizzato l'utensile. I bambini devono sempre essere tenuti lontano.
 - Potrebbero esistere norme locali sui rumori che vanno rispettate, mantenendo il livello del rumore entro i limiti prescritti. In alcuni casi, usare dei ripari per limitare il rumore.
 - Non giocare con l'elemento di contatto: impedisce la scarica accidentale, per cui va mantenuto in posizione e non deve essere rimosso. Anche fissare il grilletto nella posizione ON è molto pericoloso. Non fissare mai il grilletto. Non usare l'utensile se una parte qualsiasi dei suoi comandi non può essere usata, è staccata, modificata o non funziona correttamente.
 - Per la sicurezza e la lunga vita dell'utensile, farlo funzionare con la pressione d'aria specificata compresa tra 0,98 - 2,26 MPa (9,8 - 22,6 bar). Non superare la pressione massima raccomandata di 2,26 MPa (22,6 bar). L'utensile non deve essere collegato a una fonte la cui pressione possa superare 3,39 MPa (33,9 bar).
 - Accertarsi che la pressione fornita al sistema d'aria compressa non superi la pressione massima consentita per la chiodatrice. Regolare inizialmente la pressione dell'aria sul valore più basso della pressione consentita consigliata (vedere le CARATTERISTICHE TECNICHE).
 - L'utensile deve essere usato esclusivamente con aria compressa. Se come fonte di alimentazione dell'utensile si usa una bomboletta di gas (biossido di carbonio, ossigeno, azoto, idrogeno, aria, ecc.) o un gas combustibile (idrogeno, propano, acetilene, ecc.), l'utensile potrebbe esplodere causando lesioni serie.
 - Prima dell'uso, controllare sempre le condizioni generali dell'utensile e l'eventuale presenza di viti allentate. Stringerle, se necessario.
 - Prima dell'uso, accertarsi che tutti i sistemi di sicurezza funzionino correttamente. L'utensile non deve funzionare se si schiaccia soltanto il grilletto o si preme soltanto il braccio di contatto contro il legno. Esso deve funzionare soltanto quando si eseguono entrambe queste operazioni. Per verificare un eventuale funzionamento anomalo, fare una prova senza i chiodi e con l'elemento di spinta completamente tirato.
 - Controllare con cura le pareti, i soffitti, i pavimenti e i tetti per evitare potenziali scosse elettriche, perdite di gas, esplosioni, ecc., causate dall'aver colpito fili elettrici sotto tensione, tubazioni o tubi del gas.
 - Usare soltanto i chiodi specificati in questo manuale. L'utilizzo di qualsiasi altro tipo di chiodo potrebbe causare il malfunzionamento dell'utensile.
 - Non utilizzare mai chiodatrici marcate con il simbolo "Non usare su impalcature, scale a pioli" per applicazioni specifiche, per esempio:
 - se il cambiamento del posto di chiodatura richiede l'utilizzo di impalcature, scale a pioli, montacarichi o altri materiali di costruzione, per esempio travi di legno;
 - per chiudere scatole o casse di legno.
 - sistemi di sicurezza per il trasporto, per es., su veicoli o vagoni.
 - Non fare usare l'utensile da chi non è competente.
 - Prima della chiodatura, accertarsi che non vi sia nessuno vicino. Non cercare di inchiodare allo stesso tempo da entrambi i lati interno e esterno. I chiodi potrebbero trapassare e/o volare via, con grave pericolo.
 - Quando si utilizza l'utensile, prestare estrema attenzione alla posizione dei piedi, cercando di mantenere sempre l'equilibrio. Quando si lavora in luoghi alti, accertarsi che sotto non vi sia nessuno e fissare il tubo dell'aria per evitare eventuali pericoli nel caso venga spostato all'improvviso o rimanga impigliato.
 - Sui tetti ed altri luoghi alti, inchiodare spostandosi in avanti. È facile perdere l'appoggio dei piedi se si esegue la chiodatura con il peso spostato all'indietro. Per inchiodare una superficie perpendicolare, procedere dall'alto verso il basso. In questo modo le operazioni di chiodatura sono meno faticose.
 - Un chiodo potrebbe storcersi o l'utensile incepparsi se si inchioda per sbaglio su un altro chiodo o su un nodo del legno. Il chiodo potrebbe venire scagliato e colpire qualcuno, o l'utensile stesso potrebbe reagire pericolosamente. Posizionare i chiodi con cura.
 - Non lasciare l'utensile carico o il compressore d'aria sotto pressione per un lungo periodo di tempo al sole. Fare attenzione che polvere, sabbia, trucioli o altre sostanze estranee non entrino nell'utensile nel luogo in cui viene lasciato.
 - Non puntare il foro di espulsione su qualcuno vicino. Tenere le mani e i piedi lontani dall'area del foro di espulsione.
 - Quando si collega il tubo dell'aria, non trasportare l'utensile con il dito sul grilletto o passarlo a qualcuno in questa condizione. L'espulsione accidentale dei chiodi può essere estremamente pericolosa.
 - Maneggiare l'utensile con attenzione perché all'interno è presente un'alta pressione che può essere pericolosa se si causa una crepa maneggiandolo in modo errato (facendolo cadere o se subisce un colpo). Non intagliare né incidere l'utensile.

- Arrestare immediatamente la chiodatura se si nota nell'utensile qualcosa di sbagliato o di anomalo.
- Staccare sempre il tubo dell'aria e rimuovere tutti i chiodi:
 - (9) Se l'utensile viene lasciato incustodito.
 - (10) Prima di eseguire un qualsiasi intervento di manutenzione o di riparazione.
 - (11) Prima di correggere un inceppamento.
 - (12) Prima di portare l'utensile in un altro luogo.
- Eseguire la pulizia e la manutenzione subito dopo la fine del lavoro. Mantenere l'utensile in ottime condizioni. Lubrificare le parti mobili per evitare che arrugginiscono e per minimizzare l'usura causata dagli attriti. Togliere tutta la polvere dalle parti.
- Non modificare l'utensile senza l'autorizzazione di Makita.
- Richiedere il controllo periodico dell'utensile presso un centro di assistenza Makita autorizzato.
- Per conservare la SICUREZZA e l'AFFIDABILITÀ del prodotto, le riparazioni e qualsiasi altra operazione di manutenzione devono essere eseguite dai centri di assistenza autorizzati Makita utilizzando sempre parti di ricambio Makita.
- Usare soltanto l'olio pneumatico specificato in questo manuale.
- Non collegare mai l'utensile a una linea d'aria compressa in cui la pressione massima consentita per l'utensile non possa essere superata del 10 %. Accertarsi che la pressione fornita al sistema d'aria compressa non superi la pressione massima consentita per la chiodatrice. Regolare inizialmente la pressione dell'aria sul valore più basso della pressione consentita consigliata.
- Non tenere l'elemento di contatto del grilletto premuto con nastro o fili. Ciò potrebbe provocare morte o lesioni gravi.
- Controllare sempre l'elemento di contatto seguendo le istruzioni del presente manuale. Se il meccanismo di sicurezza non funziona correttamente, i chiodi potrebbero essere conficcati involontariamente.

CONSERVARE QUESTE ISTRUZIONI.

INSTALLAZIONE

Selezione del compressore (Fig. 2)

Il compressore d'aria deve essere conforme ai requisiti di EN60335-2-34.

Per un funzionamento efficiente, selezionare un compressore con una pressione e un'uscita dell'aria ampie. Il grafico mostra il rapporto tra la frequenza di chiodatura, la pressione applicabile e l'uscita d'aria del compressore.

Perciò, se ad esempio la chiodatura avviene a una velocità di circa 50 volte al minuto a una compressione di 1,76 MPa (17,6 bar), è necessario un compressore con un'uscita dell'aria di oltre 90 litri/minuto.

Per limitare la pressione dell'aria alla pressione nominale dell'utensile se la pressione di alimentazione dell'aria supera la pressione nominale, è necessario usare regolatori di pressione. In caso contrario, sussiste il pericolo di lesioni serie per l'operatore e per chi è vicino.

Selezione del tubo dell'aria (Fig. 3)

Utilizzare un tubo dell'aria resistente all'alta pressione. Per garantire un'operazione di chiodatura efficiente e continua, usare un tubo dell'aria quanto più grande e corto possibile.

ATTENZIONE:

- Una bassa uscita dell'aria del compressore o un tubo dell'aria lungo o con un diametro interno più piccolo in rapporto alla frequenza di chiodatura, potrebbero causare una diminuzione delle capacità dell'utensile.

Lubrificazione (Fig. 4)

Per garantire le massime prestazioni, installare un gruppo aria (oliatore, regolatore, filtro aria) quanto più vicino possibile all'utensile. Regolare l'oliatore in modo che venga fornita una goccia d'olio ogni 30 chiodi.

Se non si usa un gruppo aria, oliare l'utensile con l'olio pneumatico mettendo 2 o 3 gocce nell'elemento dell'aria. Questo va fatto prima e dopo l'uso. Per la lubrificazione corretta, l'utensile deve essere usato un paio di volte dopo l'introduzione dell'olio pneumatico. (Fig. 5)

DESCRIZIONE FUNZIONALE

ATTENZIONE:

- Staccare sempre il tubo dell'aria prima di regolare o controllare le funzioni dell'utensile.

Regolazione della profondità di chiodatura (Fig. 6)

Per regolare la profondità di chiodatura, ruotare il regolatore. La profondità di chiodatura maggiore si ha con il regolatore ruotato completamente nella direzione A, come mostrato nella figura. Essa si riduce man mano che il regolatore viene ruotato nella direzione B. Se non è possibile conficcare i chiodi a una profondità sufficiente anche con il regolatore ruotato completamente nella direzione A, aumentare la pressione dell'aria. Se non è possibile conficcare i chiodi a una profondità sufficiente anche con il regolatore ruotato completamente nella direzione B, aumentare la pressione dell'aria. In genere, la vita di servizio dell'utensile diventa più lunga se viene usato con una pressione d'aria più bassa e il regolatore impostato su un numero più basso.

ATTENZIONE:

- Staccare sempre il tubo prima di regolare la profondità di chiodatura.

Gancio (Fig. 7)

ATTENZIONE:

- Staccare sempre il tubo dall'utensile.
- Non appendere l'utensile a supporti potenzialmente instabili o in posizioni elevate.

Il gancio è utile per appendere temporaneamente l'utensile.

Regolazione della guida della scandola (Fig. 8 e 9)

La guida della scandola è progettata per esposizioni di serraggio costanti. Sistemare la scandola nella posizione desiderata.

Girare la leva in senso orario per sbloccare la piastra di regolazione. Azzerare l'utensile sulla scandola esposta con le proiezioni dell'elemento di contatto schiacciando il pulsante della riga precedente della scandola. Far scorrere in alto la piastra di regolazione verso il pulsante della scandola esposta e girare la leva in senso antiorario per bloccarla.

MONTAGGIO

ATTENZIONE:

- Staccare sempre il tubo dell'aria prima di effettuare qualsiasi operazione sull'utensile.

Caricamento della chiodatrice (Fig. 10)

Selezionare i chiodi adatti al lavoro. Abbassare la leva del dispositivo di chiusura e aprire il coperchio del caricatore. Sollevare e girare la piastra di supporto della bobina in modo che la freccia con la dimensione del chiodo indicata nella piastra di supporto della bobina punti con il corrispondente incremento di graduazione riportata sul caricatore. Se si utilizza l'utensile con la piastra di supporto della bobina impostata sul grado sbagliato, si potrebbero verificare una scarsa alimentazione dei chiodi o il malfunzionamento dell'utensile. (Fig. 11)

Posizionare le bobine schiodi sulla piastra di supporto della bobina. Srotolare chiodi sufficienti per raggiungere l'avanzamento pinze. Posizionare il primo chiodo sul canale di punta e il secondo nell'avanzamento pinze. Collocare gli altri chiodi srotolati nel corpo dell'alimentatore. Chiudere il coperchio del caricatore dopo aver controllato che le bobine chiodi siano correttamente impostate nel caricatore. (Fig. 12)

Collegamento del tubo dell'aria (Fig. 13)

Inserire la presa d'aria del tubo dell'aria sull'elemento dell'aria della chiodatrice. Accertarsi che la presa d'aria sia fissata saldamente in posizione quando è installata sull'elemento dell'aria. È necessario installare un accoppiatore del tubo sulla parte superiore o vicino all'utensile in modo che il serbatoio della pressione si scarichi quando l'accoppiatore di alimentazione dell'aria viene staccato.

USO

ATTENZIONE:

- Prima dell'uso, accertarsi che tutti i sistemi di sicurezza funzionino correttamente.
- 1. Per conficcare un chiodo, mettere l'elemento di contatto contro il pezzo e schiacciare il grilletto, o (Fig. 14 e 15)
- 2. Per conficcare un chiodo, mettere l'elemento di contatto contro il pezzo e schiacciare il grilletto.
- Il metodo N. 1 è per la chiodatura intermittente, quando si desidera conficcare un chiodo con molta cura e precisione. Il metodo N. 2 è per la chiodatura continua.

ATTENZIONE:

- Se però l'utensile è regolato nella modalità di "Chiodatura intermittente" CON IL GRILLETTO INTERRUETTORE SCHIACCIATO A METÀ, si potrebbe verificare una chiodatura inaspettata se si lascia ricontattare l'elemento di contatto con il pezzo o con

l'altra superficie sotto l'effetto del contraccolpo. Per evitare il contraccolpo, procedere come di seguito:

- A. Non posizionare l'elemento di contatto sul pezzo esercitando una forza eccessiva.
 - B. Tirare completamente il grilletto interruttore e mantenerlo tirato per 1 o 2 secondi dopo la chiodatura.
 - Per il metodo N. 1, posizionare la leva del cambio sulla posizione $\Delta \leftarrow$.
 - Per il metodo N. 2, posizionare la leva del cambio sulla posizione $\Delta \leftarrow$.
- Dopo aver usato la leva del cambio per cambiare il metodo di chiodatura, controllare sempre che essa sia posizionata correttamente per il metodo di chiodatura desiderato. (Fig. 16 e 17)

MANUTENZIONE

ATTENZIONE:

- Staccare sempre il tubo prima di eseguire l'ispezione o la manutenzione.

Inceppamento della chiodatrice (Fig. 18)

ATTENZIONE:

- Staccare sempre il tubo dell'aria e rimuovere i chiodi dal caricatore prima di correggere un inceppamento. Quando la chiodatrice s'inceppa, procedere come segue: Aprire il coperchio del caricatore e rimuovere le bobine chiodi. Inserire un'asticciola o un altro oggetto simile nel foro di espulsione, e dare dei colpi con un martello per fare uscire il chiodo inceppato dal foro di espulsione. Azzerare le bobine chiodi e chiudere il coperchio del caricatore.

Pulizia ed eliminazione di sporcizia

L'aderenza della sporcizia ad aree intorno all'elemento di contatto impedirà il movimento scorrevole dell'elemento di contatto (meccanismo di sicurezza), causando una scarica accidentale. Pulire periodicamente le aree intorno all'elemento di contatto. Usare un solvente come il kerosene, l'olio combustibile #2 o il combustibile diesel. Immergere nel solvente solo l'elemento di contatto e le parti intorno al foro di espulsione e rimuovere lo sporco con una spazzola. Indossare sempre appositi guanti a tenuta stagna per proteggere le mani. Non immergere mai il corpo macchina, il caricatore, ecc. nel solvente. Si potrebbe verificare il malfunzionamento dell'utensile. Avere sempre a disposizione solventi da usare in maniera sicura e prudente e in conformità con le normative locali e nazionali richieste. (Fig. 19)

Asciugare l'utensile prima dell'uso. Qualsiasi strato d'olio rimasto dopo la pulizia accelererà l'accumulazione dello sporco, e l'utensile richiederà ulteriori pulizie più frequenti. Dopo aver asciugato l'utensile, oliare le parti mobili per evitare che arrugginiscono e garantire una buona lubrificazione e operatività delle parti mobili.

AVVERTENZA:

- Non usare mai benzina o altri liquidi altamente volatili per la pulizia. I vapori di tali liquidi potrebbero entrare nell'utensile e le scintille prodotte durante l'attività di inchiodatura potrebbero farli incendiare e causare un'esplosione.

Scarico dell'utensile

Staccare il tubo dall'utensile. Posizionare l'utensile in modo che l'elemento dell'aria sia rivolto verso il basso. Svuotare il più possibile.

Pulizia dell'utensile

La polvere di ferro che aderisce al magnere può essere rimossa mediante un aspirapolvere.

Coperchio

Scollegare il tubo se non lo si utilizza. Quindi chiudere l'elemento aria con il coperchio. (Fig. 20)

Conservazione

Quando non viene utilizzata, la chiodatrice deve essere conservata in un luogo temperato e asciutto.

Manutenzione del compressore, gruppo e tubo aria.

(Fig. 21 e 22)

Dopo il lavoro, scaricare sempre il serbatoio del compressore e il filtro dell'aria. Se nell'utensile entra umidità, si potrebbe verificare uno scadimento delle prestazioni ed anche un guasto dell'utensile.

Controllare regolarmente che nell'oliatore del gruppo aria sia presente olio pneumatico a sufficienza. Una lubrificazione insufficiente causa la rapida usura degli anelli di tenuta. (Fig. 23)

Tenere il tubo dell'aria lontano dal calore (oltre 60°C) e dalle sostanze chimiche (solventi, acidi o alcali forti). Inoltre, disporre il tubo dove non sono presenti ostacoli sui quali potrebbe pericolosamente impigliarsi durante il lavoro.

I tubi devono anche essere tenuti lontano dai bordi taglienti e dai punti che potrebbero danneggiarli o causarne l'abrasione. (Fig. 24)

Al fine di garantire la SICUREZZA e l'AFFIDABILITÀ del prodotto, le riparazioni e qualsivoglia ulteriore operazione di manutenzione o regolazione devono essere eseguite dai centri di assistenza autorizzati Makita utilizzando sempre parti di ricambio Makita.

ACCESSORI

ATTENZIONE:

- Si raccomanda di usare questi accessori con l'utensile Makita descritto in questo manuale. L'uso di qualsiasi altro accessorio potrebbe provocare lesioni personali. Utilizzare gli accessori esclusivamente per l'uso dichiarato.

Per assistenza e ulteriori informazioni su tali accessori, rivolgersi al centro di assistenza Makita di zona.

- Chiodi
- Tubi dell'aria
- Occhiali di protezione

Solo per i paesi europei

ENG046-2

Rumore e vibrazione

I tipici livelli di rumore ponderati "A" sono:

livello di pressione sonora: 84 dB (A)

livello di potenza sonora: 97 dB (A).

Variazione (K): 1,5 m/s².

Indossare una protezione acustica.

In genere, il valore efficace ponderato dell'accelerazione è pari a 3,0 m/s².

Questi valori sono stati ottenuti in conformità con la norma EN792.

DICHIARAZIONE DI CONFORMITÀ CE

ENH013-7

Modello AN450H

Dichiariamo sotto nostra esclusiva responsabilità che il presente prodotto è conforme alle seguenti norme o documenti normativi:

EN792 secondo le disposizioni delle direttive del Consiglio, 98/37/CE.

CE 2008



Tomoyasu Kato
Direttore

Produttore responsabile:

Makita Corporation

3-11-8, Sumiyoshi-cho, Anjo, Aichi, GIAPPONE

Rappresentanti autorizzati in Europa:

Makita International Europe Ltd.

Michigan Drive, Tongwell, Milton Keynes, Bucks MK15 8JD, INGHILTERRA

NEDERLANDS

Verklaring van algemene gegevens

1. Veiligheidsbril	11. Uitsteeksel	22. Trekker
2. Spatscherm	12. Hendel	23. Werkstuk
3. Compressorluchttopbrengst per minuut	13. Afstelplaat	24. Instelhefboom
4. Nagelsnelheid	14. Magazijndeksel	25. Dunne stang
5. Olie voor pneumatisch gereedschap	15. Vergrendelingshendel	26. Schietmond
6. Stelring	16. Stripsteunplaat	27. Dop
7. Haak	17. Schaalverdeling	28. Aftapkraantje
8. Contactschoen	18. Pijlpunt	29. Luchtfilter
9. Shinglegeleider	19. Toevoerklaauw	30. Smeerinrichting
10. Shingle	20. Persluchtaansluiting (op gereedschap)	
	21. Persluchtaansluiting (aan slang)	

TECHNISCHE GEGEVENS

Model	AN450H
Luchtdruk	1,28 - 2,26 Mpa (12,8 - 22,6 bar)
Nagellengte	19 mm t/m 45 mm
Nagelcapaciteit	120 stuks
Min. slangdiameter	5,0 mm
Olie voor pneumatisch gereedschap	Turbineolie
Afmetingen (L x H x B)	287 mm x 276 mm x 117 mm
Netto gewicht	2,2 kg

- Als gevolg van ons doorlopende onderzoeks- en ontwikkelingsprogramma, zijn de technische gegevens van dit gereedschap onderhevig aan veranderingen zonder voorafgaande kennisgeving.
- Opmerking: De technische gegevens kunnen van land tot land verschillen.

Symbolen

END106-2

Hieronder staan de symbolen die voor dit gereedschap worden gebruikt. Zorg ervoor dat u weet wat ze betekenen alvorens het gereedschap te gebruiken.



..... Lees de gebruiksaanwijzing.



..... Draag een veiligheidsbril.



..... Gebruik het gereedschap niet op een steiger of ladder.

Gebruiksdoelinden

ENE059-1

Dit gereedschap is bedoeld voor het uitvoeren van voorbereidende werkzaamheden binnenshuis, zoals het vastzetten van vloerbalken of daksporen, en voor het maken van 2" x 4"-frames in huizenbouw.

BELANGRIJKE VEILIGHEIDSINSTRUCTIES

ENB109-2

WAARSCHUWING BIJ BELANGRIJKE VEILIGHEIDSINSTRUCTIES: TIJDENS HET GEBRUIK VAN DIT GEREEDSCHAP DIENEN ALTIJD DE BASISVEILIGHEIDSVORZORGEN TE WORDEN GETROFFEN OM DE RISICO'S VAN PERSOONLIJK LETSEL, WAARONDER DE VOLGENDE, TE VERKLEINEN:

LEES ALLE INSTRUCTIES.

- Omwille van uw persoonlijke veiligheid en de juiste werking en onderhoud van het gereedschap, lees u deze gebruiksaanwijzing alvorens het gereedschap te gebruiken.
- Draag altijd een veiligheidsbril om uw ogen te beschermen tegen letsel door stof of nagels.
WAARSCHUWING:
Het is de verantwoordelijkheid van de werkgever om ervoor te zorgen dat veiligheidsmiddelen voor oogbescherming gebruikt worden door de gebruikers van het gereedschap en anderen in de onmiddellijke omgeving van de werkplek.
- Alleen voor Australië en Nieuw-Zeeland Draag altijd een veiligheidsbril en spatscherm om uw ogen te beschermen tegen letsel door stof of nagels. De veiligheidsbril en het spatscherm dienen te voldoen aan de vereisten van AS/NZS 1336.
WAARSCHUWING:
Het is de verantwoordelijkheid van de werkgever om ervoor te zorgen dat veiligheidsmiddelen voor oogbescherming gebruikt worden door de gebruikers van het gereedschap en anderen in de onmiddellijke omgeving van de werkplek. **(Zie afb. 1)**
- Draag gehoorbescherming om uw oren te beschermen tegen het uitlaatgeluid en draag hoofdbescherming. Draag tevens lichte maar geen losse kleding. Manchetten moeten dichtgeknoopt zijn of de mouwen moeten worden opgerold. Draag geen stropdas.

- Haast tijdens de werkzaamheden of het gereedschap dwingen is gevaarlijk. Wees voorzichtig wanneer u het gereedschap hanteert. Bedien het gereedschap niet onder invloed van alcohol, drugs en dergelijke.
- Algemene richtlijnen voor het hanteren van het gereedschap
 - (1) Ga er altijd vanuit dat in het gereedschap nagels zitten.
 - (2) Richt het gereedschap niet op uzelf of anderen, ongeacht of er nagels in zitten of niet.
 - (3) Schakel het gereedschap niet in als dit niet stevig tegen het werkstuk wordt gedrukt.
 - (4) Respecteer het gereedschap als werkinstrument.
 - (5) Speel er niet mee.
 - (6) Draag het gereedschap niet met een vinger om de trekker.
 - (7) Laad geen nagels in het gereedschap wanneer een van de bedieningsschakelaars is ingeschakeld.
 - (8) Bedien het gereedschap niet met een andere voedingsbron dan die is aangegeven in de bedienings- en veiligheidsinstructies van dit gereedschap.
- Als het gereedschap niet juist werkt, mag het niet worden gebruikt.
- Tijdens het gebruik van het gereedschap kunnen soms vonken wegspringen. Gebruik het gereedschap niet in de buurt van vluchtige, brandbare materialen, zoals benzine, thinner, verf, gas, lijm, enz., omdat deze kunnen ontsteken en exploderen, waarbij ernstig letsel kan worden veroorzaakt.
- De werkplek moet voldoende worden verlicht om een veilige bediening te garanderen. De werkplek moet schoon en vrij van afval zijn. Zorg ervoor dat u stevig staat en uw evenwicht goed bewaart.
- Alleen personen die betrokken zijn bij de werkzaamheden mogen in de buurt van de werkplek komen. Met name kinderen moeten altijd uit de buurt worden gehouden.
- Er kunnen plaatselijk regels gelden met betrekking tot geluid, waaraan u zich dient te houden door de geluidsproductie onder het voorgeschreven niveau te houden. In bepaalde gevallen moeten geluidsschermen worden gebruikt om het geluidsniveau te beperken.
- Speel niet met de contactschoen: het voorkomt per ongeluk nagelen, dus moet het blijven zitten en mag niet worden verwijderd. De trekker in ingeschakelde stand vergrendelen is ook erg gevaarlijk. Probeer nooit de trekker vast te zetten. Bedien het gereedschap niet als enig onderdeel van de bedieningselementen van het gereedschap niet kan worden bediend, is losgekoppeld, gewijzigd of niet goed werkt.
- Gebruik het gereedschap binnen het opgegeven luchtdrukgebied van 0,98 t/m 2,26 MPa (9,8 t/m 22,6 bar) vanwege de veiligheid en een langere levensduur van het gereedschap. Overschrijdt de aanbevolen maximumwerkdruk van 2,26 MPa (22,6 bar) niet. Het gereedschap mag niet worden aangesloten op een bron waarvan de druk 3,39 MPa (33,9 bar) kan overschrijden.
- Zorg ervoor dat de druk die door het persluchtstelsel wordt geleverd, niet de maximaal toelaatbare druk van het bevestigingsaandrijfgereedschap overschrijdt. Stel de luchtdruk in eerste instantie in op de laagste waarde van de aanbevolen toelaatbare luchtdruk (zie "TECHNISCHE GEGEVENS").
- Gebruik het gereedschap nooit met iets anders dan perslucht. Als flessengas (koolstofdioxide, zuurstof, stikstof, waterstof, lucht, enz.) of brandbaar gas (waterstof, propaan, acetyleen, enz.) als voeding van dit gereedschap wordt gebruikt, zal het gereedschap exploderen en ernstig letsel veroorzaken.
- Controleer voor gebruik het gereedschap altijd eerst op algehele conditie en loszittende schroeven. Draai deze zo nodig vast.
- Controleer voor gebruik dat alle beveiligingssysteem goed werken. Het gereedschap mag niet werken als alleen de trekker wordt ingeknepen of als alleen de contactschoen op het hout wordt gedrukt. Het gereedschap mag alleen werken als beide handelingen tegelijkertijd worden uitgevoerd. Test op mogelijke defecte werking wanneer geen nagels zijn geladen en de aandrukker helemaal uitgetrokken is.
- Controleer muren, plafonds, vloeren en dergelijke grondig om te voorkomen dat door het nagelen in elektrische draden, pijpen of gasleidingen een elektrische schok, gaslek, explosie, enz. kan ontstaan.
- Gebruik uitsluitend nagels die in deze gebruiksaanwijzing worden aangegeven. Door een ander soort nagels te gebruiken, kan een storing in het gereedschap worden veroorzaakt.
- Gebruik nooit elektrisch bevestigingsgereedschap met daarop het symbool "Niet gebruiken op steigers en ladders" bij bepaalde toepassingen, bijvoorbeeld:
 - als bij het veranderen van een werkplek naar de volgende, gebruik gemaakt wordt van een steiger, trap, ladder of soortgelijke constructies, bijv. daklatten;
 - bij het sluiten van dozen of kratten, en
 - bij het monteren van transportbeveiligingssysteem, bijv. op voertuigen en aanhangers.
- Laat personen zonder onderricht het gereedschap niet gebruiken.
- Controleer voor het nagelen dat niemand dichtbij staat. Probeer nooit tegelijkertijd van binnenuit en van buitenaf te nagelen. De nagels kunnen er dwars doorheen schieten of afketsen en een groot gevaar opleveren.
- Zorg ervoor dat u tijdens het gebruik van het gereedschap stevig staat en uw evenwicht goed bewaart. Controleer dat er niemand onder u staat wanneer u op een hoge plaats werkt, en maak de perslucht slang vast om gevaarlijke situaties te voorkomen als er plotseling aan wordt getrokken of deze bekneld raakt.
- Op daken en andere hoge plaatsen nagelt u terwijl u voorwaarts beweegt. U glijdt gemakkelijk weg als u nagelt terwijl u achterwaarts kruipt. Als u in een rechtopstaande ondergrond nagelt, nagelt u van boven naar beneden. U kunt op deze manier nagelen zonder snel vermoeid te raken.
- Een nagel zal krom gaan of het gereedschap kan vastlopen als u per ongeluk bovenop een andere nagel of in een knoest in het hout nagelt. De nagel kan wegschieten en iemand raken, of het gereedschap zelf

kan gevaarlijk terugstaan. Kies de plaats voor de nagel met zorg.

- Laat het geladen gereedschap of de luchtcompressor niet onder druk gedurende een lange tijd in de zon liggen. Zorg ervoor dat stof, zand, houtsnippers en vreemde stoffen niet kunnen binnendringen in het gereedschap op de plaats waar u het laat liggen.
- Richt de schietmond nooit op iemand in de buurt. Houd handen en voeten uit de buurt van de schietmond.
- Als de perslucht slang is aangesloten, draagt u het gereedschap niet met uw vinger om de trekker en geeft u het gereedschap niet op deze manier aan iemand anders. Als de trekker per ongeluk wordt ingeknepen, ontstaat een uiterst gevaarlijke situatie.
- Hanteer het gereedschap voorzichtig, aangezien er binnenin het gereedschap een hoge druk is die gevaar oplevert als een barst ontstaat door grove behandeling (laten vallen of stoten). Probeer niet in het gereedschap te snijden of graven.
- Stop onmiddellijk met nagelen als u een probleem of iets vreemds opmerkt aan het gereedschap.
- Koppel altijd de perslucht slang los en verwijder alle nagels:
 - (9) Als u het gereedschap alleen achterlaat;
 - (10) Alvorens enige onderhouds- of reparatiewerkzaamheden uit te voeren;
 - (11) Alvorens een verstopping op te lossen, en
 - (12) Alvorens het gereedschap naar een andere plaats over te brengen.
- Voer de reinigings- en onderhoudswerkzaamheden uit onmiddellijk nadat het werk is voltooid. Houd het gereedschap in opperbeste conditie. Smeer bewegende delen om roesten te voorkomen en slijtage door wrijving te minimaliseren. Veeg alle stof van de onderdelen af.
- Wijzig het gereedschap niet zonder toestemming van Makita.
- Vraag een erkend Makita-servicecentrum regelmatig het gereedschap te inspecteren.
- Om de VEILIGHEID en BETROUWBAARHEID van het gereedschap te handhaven, dienen alle reparaties en onderhoud te worden uitgevoerd door een erkend Makita-servicecentrum, en altijd met gebruikmaking van originele Makita-ervangingsonderdelen.
- Gebruik uitsluitend olie voor pneumatisch gereedschap die in deze gebruiksaanwijzing wordt aangegeven.
- Sluit het gereedschap nooit aan op een persluchtleiding die de maximaal toegelaten druk van het gereedschap niet met 10% kan overschrijden. Zorg ervoor dat de druk die door het persluchtstelsel wordt geleverd, niet de maximaal toelaatbare druk van het bevestigingsaandrijf gereedschap overschrijdt. Stel de luchtdruk in eerste instantie in op de laagste waarde van de aanbevolen toelaatbare luchtdruk.
- Probeer niet de contactschonen voortdurend ingedrukt te houden met tape of draad. Dit kan leiden tot de dood of ernstig letsel.
- Controleer altijd de contactschonen volgens de instructies in deze gebruiksaanwijzing. Als het veiligheidsmechanisme niet goed werkt, kunnen nagels per ongeluk worden geschoten.

BEWAAR DEZE INSTRUCTIES.

HET JUISTE GEREEDSCHAP KIEZEN

Een compressor kiezen (Zie afb. 2)

De luchtcompressor moet voldoen aan de vereisten van EN60335-2-34.

Kies een compressor die ruim voldoende luchtdruk en luchttopbrengst levert om verzekerd te zijn van een kostenefficiënte werking. De grafiek geeft de relatie aan tussen de nagelsnelheid, toepasselijke luchtdruk en compressorluchttopbrengst.

Als bijvoorbeeld het nagelen ongeveer 50 keer per minuut wordt uitgevoerd met een luchtdruk van 1,76 MPa (17,6 bar), is een compressor met een luchttopbrengst van meer dan 90 liter/minuut vereist.

Als de toegevoerde luchtdruk hoger is dan de nominale luchtdruk van het gereedschap, moeten drukregulators worden gebruikt om de luchtdruk te beperken tot de nominale luchtdruk van het gereedschap. Als u dit niet doet kunnen de gebruiker van het gereedschap en personen in de buurt ernstig letsel oplopen.

De perslucht slang kiezen (Zie afb. 3)

Gebruik een perslucht slang.

Gebruik een zo groot en kort mogelijke perslucht slang om verzekerd te zijn van ononderbroken en efficiënt nagelen.

LET OP:

- Als de compressorluchttopbrengst lager is, of de lucht slang een kleinere inwendige diameter heeft of langer is in verhouding tot de nagelsnelheid, kan het nagelvermogen van het gereedschap teruglopen.

Smeren (Zie afb. 4)

Om van maximale prestaties verzekerd te zijn, monteert u een luchtset (smeerinrichting, drukregulator, luchtfilter) zo dicht mogelijk bij het gereedschap. Stel de smeerinrichting zodanig in dat voor iedere 30 nagels een druppel smeerolie wordt geleverd.

Als geen luchtset wordt gebruikt, smeert u het gereedschap met olie voor pneumatisch gereedschap door twee (2) of drie (3) druppels in het luhtaansluiting aan te brengen. U dient dit voor en na ieder gebruik te doen. Voor een goede smering moet het gereedschap enkele keren worden bediend nadat de olie voor pneumatisch gereedschap is aangebracht. (Zie afb. 5)

BESCHRIJVING VAN DE FUNCTIES

LET OP:

- Koppel altijd de perslucht slang los voordat u de werking van het gereedschap controleert of afstelt.

Nageldiepte instellen (Zie afb. 6)

Draai de stelling om de nageldiepte in te stellen. De nageldiepte is het grootst wanneer de stelling zo ver mogelijk in richting A, aangegeven in de afbeelding, is gedraaid. De diepte wordt geringer naarmate de stelling in richting B wordt gedraaid. Als de nagels niet diep genoeg worden geschoten, zelfs niet terwijl de stelling zo ver mogelijk in richting A is gedraaid, verhoogt u de

luchtdruk. Als de nagels te diep worden geschoten, zelfs niet terwijl de stelling zo ver mogelijk in richting B is gedraaid, verlaagt u de luchtdruk. Algemeen gesproken, gaat het gereedschap langer mee als het wordt gebruikt met een lagere luchtdruk en de stelling is ingesteld op een geringere nageldiepte.

LET OP:

- Koppel altijd de persluchtslang los voordat u de nageldiepte controleert.

Haak (Zie afb. 7)

LET OP:

- Koppel altijd de persluchtslang los van het gereedschap.
- Hang het gereedschap niet op aan de haak op een hoge plaats of op een mogelijk instabiele ondergrond. De haak is handig om het gereedschap tijdelijk aan op te hangen.

De shinglegeleider instellen (Zie afb. 8 en 9)

De shinglegeleider is bedoeld voor een regelmatig uiterlijk van de shingles. Plaats de shingles in de gewenste positie.

Draai de hendel rechtsom om de afstelplaat los te zetten. Stel het gereedschap opnieuw in op de blootliggende shingle waarbij de uitsteeksels van de contactschoen op de onderrand van de voorgaande rij shingles drukken. Schuif de afstelplaat tegen de onderrand van de blootliggende shingle en draai de hendel linksom om de afstelplaat te vergrendelen.

ONDERDELEN AANBRENGEN/VERWIJDEREN

LET OP:

- Koppel altijd de persluchtslang los voordat u enige werkzaamheden aan het gereedschap verricht.

Nagels laden (Zie afb. 10)

Kies nagels die geschikt zijn voor uw werk. Duw de vergrendelingshendel omlaag en open het deksel van het magazijn.

Til de stripsteunplaat op en draai deze zodat de pijl van de nagelgrootte aangegeven op de stripsteunplaat in de richting wijst van de overeenkomstige maat van de schaalverdeling op het magazijn. Als het gereedschap wordt bediend terwijl de rolsteunplaat in de verkeerde stand staat, kan dit leiden tot een slechte nageltoevoer of een storing van het gereedschap. (Zie afb. 11)

Plaats de nagelstrip op de stripsteunplaat. Wind de nagelstrip voldoende af om de toevoerklauw te bereiken. Plaats de eerste nagel in het stootkanaal en de tweede nagel in de toevoerklauw.

Plaats andere afgewikkelde nagels op het toevoerhuis. Sluit het deksel van het magazijn nadat u hebt gecontroleerd dat de nagelstrip goed in het magazijn is geplaatst. (Zie afb. 12)

De persluchtslang aansluiten (Zie afb. 13)

Schuif de aansluiting van de persluchtslang op de aansluiting van de nagelaandrijver. Zorg ervoor dat beide aansluitingen stevig op elkaar worden vergrendeld. De

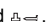

slangkoppeling moet op of vlakbij het gereedschap worden gemonteerd op een zodanige manier dat op het moment dat de persluchtkoppeling wordt losgekoppeld, de luchtdruktank leeg loopt.

BEDIENING

LET OP:

- Controleer voor gebruik dat alle beveiligingssystemen goed werken.
1. Om te nagelen drukt u eerst de contactschoen tegen het werkstuk en knijpt u daarna de trekker in, of (Zie afb. 14 en 15)
 2. ...knijpt u eerst de trekker in en drukt u daarna het contactschoen tegen het werkstuk.
- Werkwijze 1 is voor onderbroken nagelen wanneer u een nagel voorzichtig en zeer nauwkeurig wilt schieten. Werkwijze 2 is voor ononderbroken nagelen.

LET OP:

- Wanneer het gereedschap echter is ingesteld op "Onderbroken nagelen" en DE TREKKER IN DE HALFRINGEKNEPEN STAND WORDT GEHOUDEN, kan het nagelpistool onverwachts een nagel schieten als de contactschoen door de terugslag nogmaals in aanraking komt met het werkstuk of een ander oppervlak. Om dergelijk per ongeluk nagelen te voorkomen, gaat u als volgt te werk:
 - A. Duw de contactschoen niet met grote kracht tegen het werkstuk.
 - B. Knijp de trekker volledig in en houd deze na het nagelen gedurende een tot twee seconden ingeknepen.
- Bij werkwijze 1 zet u de keuzehendel in de stand . Bij werkwijze 2 zet u de keuzeknop in de stand . Nadat u de keuzeknop hebt verdraaid om de nagelfunctie te veranderen, controleert u dat de keuzeknop goed in de stand van de gewenste nagelfunctie staat. (Zie afb. 16 en 17)

ONDERHOUD

LET OP:

- Koppel de persluchtslang altijd los van het gereedschap alvorens inspectie- of onderhoudswerkzaamheden uit te voeren.

Vastgelopen nagel (Zie afb. 18)

LET OP:

- Alvorens een vastgelopen nagel te verwijderen, koppelt u altijd eerst de persluchtslang los en haalt u de nagelstrip uit het magazijn.

Wanneer het nagelpistool vastloopt, gaat u als volgt te werk:

Open het deksel van het magazijn en verwijder de strip nagels. Steek een dunne stang of iets dergelijks in de schietmond en tik er met een hamer op om de vastgelopen nagel via de schietmond te verwijderen. Plaats de nagelstrip terug en sluit het deksel van het magazijn.

Teer en vuil reinigen en verwijderen

Als teer of vuil rondom de contactschoen aan het gereedschap blijft kleven, zal de vrije beweging van de contactschoen (veiligheidsmechanisme) gehinderd

worden, waardoor per ongeluk kan worden genageld. Reinig het gebied rondom de contactshoens regelmatig. Gebruik een oplosmiddel zoals kerosine, brandstofolie nr. 2 of dieselolie.

Dompel alleen de contactshoens en het gebied rondom de schietmond in het oplosmiddel en verwijder de teer en het vuil met een borstel. Draag altijd waterdichte handschoenen om uw handen te beschermen. Dompel nooit de behuizing, het magazijn, enz., in het oplosmiddel. Hierdoor kan een storing in het gereedschap optreden. Gooi het verbruikte oplosmiddel altijd op een veilige en verantwoorde manier weg in overeenstemming met plaatselijke regelgeving en nationale wetgeving. **(Zie afb. 19)**

Droog het gereedschap af alvorens het weer te gebruiken. Als na het reinigen een vetlaagje achterblijft, zal teer en vuil zich sneller weer op het gereedschap kunnen vastzetten, waardoor het gereedschap vaker gereinigd moet worden. Nadat het gereedschap droog is, smeert u de bewegende delen om roesten te voorkomen en zeker te zijn van een goede smering en werking van de bewegende delen.

WAARSCHUWING:

- Gebruik nooit benzine of andere zeer vluchtige vloeistoffen voor het reinigen. Dampen van dergelijke vloeistoffen kunnen in het gereedschap binnendringen en door vonken worden ontstoken, waardoor een explosie ontstaat.

Water uit het gereedschap laten lopen

Koppel de perslucht slang los van het gereedschap. Houd het gereedschap zodanig vast dat de luchtinlaat naar beneden is gericht. Laat zo veel mogelijk water uit het gereedschap lopen.

Het gereedschap reinigen

Metaaldeeltjes die aan de magneet kleven kunnen worden weggeblazen met behulp van een persluchtpistool.

Dop

Als het nagelpistool niet in gebruik is, koppelt u de perslucht slang los. Plaats daarna de dop op de luchtinlaat. **(Zie afb. 20)**

Bewaren

Wanneer het nagelpistool niet in gebruik is, moet het worden opgeborgen op een warme, droge plaats. Onderhoud aan de compressor, luchtset en perslucht slang. **(Zie afb. 21 en 22)** Na gebruik moet altijd de luchtdruktank en het luchtfilter van de compressor worden afgetapt. Als vocht in het gereedschap kan binnendringen, kan dit leiden tot slechte prestaties en mogelijk defect van het gereedschap. Controleer regelmatig om te zien of er voldoende pneumatische olie in de smerinrichting van de luchtset zit. Als u niet voor voldoende smering zorgt, zullen de O-ringen snel slijten. **(Zie afb. 23)**

Houd de perslucht slang uit de buurt van warmte (meer dan 60°C) en uit de buurt van chemicaliën (verdunner, sterke zuren of basen). Houd de perslucht slang ook uit de buurt van obstakels waarachter deze kan haken tijdens gebruik om gevaarlijke situaties te voorkomen. De perslucht slang moet tevens uit de buurt worden gehouden van scherpe randen en plaatsen die aanleiding

kunnen geven tot beschadiging of schuren van de perslucht slang. **(Zie afb. 24)**

Om de VEILIGHEID en BETROUWBAARHEID van het gereedschap te handhaven, dienen alle reparaties, onderhoud en afstellingen te worden uitgevoerd door een erkend Makita-servicecentrum, en altijd met gebruikmaking van originele Makita- vervangingsonderdelen.

ACCESSOIRES

LET OP:

- Deze accessoires of hulpstukken worden aanbevolen voor gebruik met het Makita-gereedschap dat in deze gebruiksaanwijzing wordt beschreven. Het gebruik van andere accessoires of hulpstukken kan gevaar voor persoonlijk letsel opleveren. Gebruik de accessoires of hulpstukken uitsluitend voor de aangegeven gebruiksdoeleinden.

Mocht u meer informatie willen hebben over deze accessoires, dan kunt u contact opnemen met uw plaatselijke Makita-servicecentrum.

- Nagels
- Perslucht slangen
- Veiligheidsbril

Alleen voor Europese landen

ENG046-2

Geluid en trillingen

De typische, A-gewogen geluidsniveaus zijn geluidsdruk niveau: 84 dB (A) geluidsvermogen niveau: 97 dB (A). Onzekerheid (K): 1,5 m/s².

Draag gehoorbescherming.

De typisch, gewogen, kwadratisch-gemiddelde versnellingswaarde is 3,0 m/s².

Deze waarden zijn verkregen volgens EN792.

EU-VERKLARING VAN CONFORMITEIT

ENH013-7

Model; AN450H

Wij verklaren onder eigen verantwoordelijkheid dat dit product voldoet aan de normen in de volgende documenten:

EN792 in overeenstemming met de richtlijnen van de Raad, 98/37/EC.

CE 2008



Tomoyasu Kato
Directeur

Verantwoordelijke fabrikant:

Makita Corporation

3-11-8, Sumiyoshi-cho, Anjo, Aichi, JAPAN
Erkende vertegenwoordiger voor Europa:

Makita International Europe Ltd.

Michigan Drive, Tongwell, Milton Keynes, Bucks MK15 8JD, ENGLAND

Descripción y visión general

- | | | |
|---|-----------------------------------|-------------------------|
| 1. Gafas de seguridad | 10. Tejado | 21. Toma de aire |
| 2. Careta protectora | 11. Saliente | 22. Disparador |
| 3. Salida de aire comprimido por minuto | 12. Palanca | 23. Pieza de trabajo |
| 4. Frecuencia de clavado | 13. Placa de ajuste | 24. Palanca de cambio |
| 5. Aceite de herramientas neumáticas | 14. Tapa del depósito alimentador | 25. Varilla pequeña |
| 6. Regulador | 15. Palanca de pestillo | 26. Puerto de expulsión |
| 7. Gancho | 16. Placa de soporte de la bobina | 27. Tapa |
| 8. Elemento de contacto | 17. Graduación | 28. Grifo de drenaje |
| 9. Guía de tejado | 18. Flecha | 29. Filtro de aire |
| | 19. Garra de alimentación | 30. Aceitero |
| | 20. Conector de aire | |

ESPECIFICACIONES

Modelo	AN450H
Presión del aire	1,28 - 2,26 Mpa (12,8 - 22,6 bares)
Longitud del clavo	19 mm - 45 mm
Capacidad de clavos	120 piezas
Diámetro mínimo de la manguera	5,0 mm
Aceite para la herramienta neumática	Aceite para turbinas
Dimensiones (La X Al X An)	287 mm X 276 mm X 117 mm
Peso neto	2,2 kg

- Debido a nuestro programa continuo de investigación y desarrollo, las especificaciones aquí descritas están sujetas a cambios sin previo aviso.
- Nota: Las especificaciones pueden ser diferentes de un país a otro.

Símbolos

END106-2

Se utilizan los siguientes símbolos para el equipo. Asegúrese de que comprende su significado antes del uso.



..... Lea el manual de instrucciones.



..... Utilice gafas de seguridad.



..... No utilizar en andamios, escaleras de mano.

Uso previsto

ENE059-1

La herramienta está pensada para trabajo interior preliminar, como fijar vigas de piso o vigas comunes y trabajo en estructuras en cubiertas de 2" x 4".

INSTRUCCIONES DE SEGURIDAD IMPORTANTES

ENB109-2

ADVERTENCIA DE INSTRUCCIONES IMPORTANTES DE SEGURIDAD: CUANDO SE UTILICE ESTA HERRAMIENTA SIEMPRE DEBEN TOMARSE PRECAUCIONES DE SEGURIDAD PARA REDUCIR EL RIESGO DE LESIONES PERSONALES, INCLUYENDO LAS SIGUIENTES:

LEA TODAS LAS INSTRUCCIONES

- Por su seguridad personal y para una utilización y un mantenimiento correctos de la herramienta, lea este manual de instrucciones antes de utilizar la herramienta.
- Utilice siempre gafas de seguridad para proteger sus ojos del polvo o de lesiones provocadas por clavos. **ADVERTENCIA:** Es responsabilidad del empleador garantizar que los operarios de la herramienta y otras personas de la zona de trabajo inmediata utilicen equipo de protección ocular.
- Para Australia y Nueva Zelanda solamente: Utilice siempre gafas de seguridad y una careta protectora para proteger sus ojos del polvo o de lesiones provocadas por clavos. Las gafas de seguridad y la careta protectora deben cumplir con los requisitos de AS/NZS 1336. **ADVERTENCIA:** Es responsabilidad del empleador garantizar que los operarios de la herramienta y otras personas de la zona de trabajo inmediata utilicen equipo de protección ocular. **(Fig. 1)**
- Utilice protección para la cabeza y protección para los oídos para protegerlos de la emisión de ruidos. Asimismo, lleve ropa ligera pero no suelta. Las mangas deben estar abotonadas o arremangadas. No debe llevarse corbata.
- Es peligroso apresurar el trabajo o forzar la herramienta. Maneje la herramienta con cuidado. No la

- utilice bajo la influencia del alcohol, drogas o sustancias similares.
- Pautas generales de manejo de la herramienta:
 - (1) Asuma siempre que la herramienta contiene clavos.
 - (2) No se apunte a usted mismo ni a nadie más con la herramienta, tanto si contiene clavos como si no.
 - (3) No active la herramienta a menos que la tenga puesta firmemente contra la pieza de trabajo.
 - (4) Trate a la herramienta como un útil de trabajo.
 - (5) No juegue con la herramienta.
 - (6) No coja ni transporte la herramienta con el dedo en el disparador.
 - (7) No cargue clavos en la herramienta estando cualquiera de los controles de operación activado.
 - (8) No utilice la herramienta con ninguna otra fuente de alimentación distinta a la especificada en las instrucciones de funcionamiento/seguridad de la herramienta.
 - No se debe utilizar una herramienta que no funcione debidamente.
 - Pueden saltar chispas cuando se utiliza la herramienta. No utilice la herramienta cerca de materiales inflamables o volátiles, como gasolina, disolvente, pintura, gas, adhesivos, etc., ya que pueden encenderse, explotar y causar lesiones graves.
 - El área debe estar suficientemente iluminada para asegurar una utilización segura. El área deberá estar despejada y libre de desechos. Tenga especial cuidado de mantener los pies sobre suelo firme y en equilibrio.
 - En la proximidad solamente deben estar aquellas personas implicadas en el trabajo. Especialmente los niños deben mantenerse alejados en todo momento.
 - Puede haber reglamentos locales concernientes al ruido que habrá que cumplir manteniendo los niveles de ruido dentro de los límites establecidos. En ciertos casos, se deberán utilizar celosías para contener el ruido.
 - No juegue con el elemento de contacto: previene la descarga accidental, por lo que se debe mantener activado y colocado en su sitio. También es muy peligroso fijar el disparador en la posición ON (activado). No intente nunca atar el disparador. No utilice la herramienta si cualquier parte de los controles de operación de la herramienta está inoperable, desconectada, modificada, o no funciona correctamente.
 - Utilice la herramienta dentro de la presión de aire especificada de 0,98 - 2,26 MPa (9,8 - 22,6 bares) por seguridad y para prolongar la vida de la herramienta. No exceda la presión de funcionamiento máxima recomendada de 2,26 MPa (22,6 bares). La herramienta no debe conectarse a una fuente cuya presión pueda sobrepasar 3,39 MPa (33,9 bares).
 - Asegúrese de que la presión suministrada por el sistema de aire comprimido no exceda la presión máxima permitida de la clavadora de clavos. Ajuste la presión de aire inicialmente a un valor inferior a la presión permitida recomendada (consulte las ESPECIFICACIONES).
 - No utilice nunca la herramienta con nada que no sea aire comprimido. Si se utiliza gas (dióxido de carbono, oxígeno, nitrógeno, hidrógeno, aire, etc.) o gas combustible (hidrógeno, propano, acetileno, etc.) embotellado como fuente de alimentación para esta herramienta, la herramienta explotará y ocasionará graves heridas.
 - Compruebe siempre la herramienta antes de su uso para ver su estado general y si hay tornillos sueltos. Apriete según sea necesario.
 - Asegúrese de que todos los sistemas de seguridad estén en condiciones de funcionamiento antes de su utilización. La herramienta no debe funcionar si sólo se acciona el disparador o si sólo se presiona el brazo de contacto contra la madera. Solamente debe funcionar cuando se realicen ambas acciones. Haga una prueba sin clavos cargados y con el empujador en la posición totalmente presionada para ver si hay algún posible fallo de funcionamiento.
 - Compruebe las paredes, techos, suelos, techumbres y elementos similares con cuidado para evitar descargas eléctricas, fugas de gas, explosiones, etc., ocasionadas por el contacto con cables con tensión, conductos o tuberías de gas.
 - Utilice solamente los clavos especificados en este manual. La utilización de otros clavos puede ocasionar un mal funcionamiento de la herramienta.
 - No utilice nunca clavadoras de clavos marcadas con el símbolo de "No utilizar en andamios, escaleras de mano" para aplicaciones específicas, por ejemplo:
 - cuando el cambio de un lugar de clavado a otro implique la utilización de andamios, escaleras, escaleras de mano, o construcciones en forma de escalera, por ejemplo, listones de techumbres;
 - cierre de cajas o cajones;
 - colocación de sistemas de seguridad de transportes, por ejemplo, en vehículos y vagones.
 - No permita que personas no instruidas utilicen la herramienta.
 - Asegúrese de que no haya nadie cerca antes de empezar a clavar. No intente clavar nunca desde el interior y exterior al mismo tiempo. Los clavos podrían atravesar los materiales y/o salir disparados, presentando un grave peligro.
 - Observe el suelo donde pisa y mantenga su equilibrio con la herramienta. Asegúrese de que no haya nadie debajo cuando trabaje en lugares elevados, y sujete la manguera de aire para evitar peligros si se produjera un tirón o enganche repentino.
 - En tejados y otros lugares elevados, clave a medida que avanza. Es fácil perder el equilibrio si clava moviéndose hacia atrás. Cuando clave contra superficies perpendiculares, clave de arriba hacia abajo. Haciéndolo de esta forma podrá realizar la operación de clavado fatigándose menos.
 - Si clava equivocadamente encima de otro clavo o golpea un nudo en la madera, el clavo se torcerá o se atasca a la herramienta. El clavo puede salir lanzado y golpear a alguien, o la propia herramienta puede reaccionar peligrosamente. Ponga los clavos con cuidado.
 - No deje la herramienta cargada ni el compresor de aire bajo presión durante largo tiempo al sol. Asegúrese de que no entre polvo, arena, virutas ni materias extrañas en la herramienta en el lugar donde la deje.

- No apunte con el puerto de expulsión a nadie de su alrededor. Mantenga las manos y pies alejados del área del puerto de expulsión.
- Cuando esté conectada la manguera de aire, no transporte la herramienta con el dedo en el disparador ni se la pase a otra persona en este estado. El disparo accidental puede ser extremadamente peligroso.
- Maneje la herramienta con cuidado, ya que dentro de la herramienta hay una presión muy alta que puede ser peligrosa si se produce una grieta debido a un manejo brusco (dejando caer o golpeando la herramienta). No intente grabar ni esculpir en la herramienta.
- Pare inmediatamente la operación de clavado si nota algo incorrecto o fuera de lo normal en la herramienta.
- Desconecte siempre la manguera de aire y extraiga todos los clavos:
 - (9) Cuando deje la herramienta sin atender.
 - (10) Antes de realizar cualquier mantenimiento o reparación.
 - (11) Antes de despejar un atasco.
 - (12) Antes de mover la herramienta a un nuevo lugar.
- Realice la limpieza y el mantenimiento inmediatamente después de terminar el trabajo. Mantenga la herramienta en perfectas condiciones. Lubrique las partes móviles para evitar la oxidación y minimizar el desgaste relacionado con la fricción. Quite todo el polvo de dichas partes.
- No modifique la herramienta sin la autorización de Makita.
- Pregunte en centros de servicio autorizados por Makita sobre la inspección periódica de la herramienta.
- Para conservar la **SEGURIDAD** y la **FIABILIDAD** del producto, los trabajos de reparación y otros trabajos de mantenimiento deben ser realizados en centros de servicio autorizados de Makita, utilizando siempre repuestos Makita.
- Utilice solamente el aceite de herramientas neumáticas especificado en este manual.
- Nunca conecte la herramienta a una línea de aire comprimido en la que la presión máxima de la herramienta no se pueda superar en un 10 %. Asegúrese de que la presión suministrada por el sistema de aire comprimido no exceda la presión máxima permitida de la clavadora de clavos. Ajuste la presión de aire inicialmente a un valor inferior a la presión permitida recomendada.
- No intente mantener el elemento de contacto del disparador presionado con cinta adhesiva o alambre. Puede sufrir lesiones graves o morir.
- Conecte siempre el elemento de contacto como se indica en este manual. Se pueden clavar clavos accidentalmente si el mecanismo de seguridad no funciona correctamente.

GUARDE ESTAS INSTRUCCIONES.

INSTALACIÓN

Selección del compresor (Fig. 2)

El compresor de aire debe cumplir con los requisitos de EN60335-2-34.

Seleccione un compresor que tenga una presión y salida de aire amplias para asegurar un funcionamiento eficiente. El gráfico muestra la relación entre la frecuencia de clavado, la presión aplicable y la salida de aire del compresor.

Así, por ejemplo, si el clavado se realiza a una frecuencia de aproximadamente 50 veces por minuto a una compresión de 1,76 MPa (17,6 bares), se requerirá un compresor con una salida de aire de más de 90 litros/minuto.

Cuando la presión del suministro de aire exceda la presión nominal de la herramienta se deberán utilizar reguladores de presión para limitar la presión de aire a la presión nominal de la herramienta. De no hacerlo, el operario de la herramienta o las personas cercanas pueden sufrir graves lesiones.

Selección de la manguera de aire (Fig. 3)

Utilice una manguera de aire resistente a las altas presiones.

Utilice una manguera de aire tan grande y corta como sea posible para asegurar una operación de clavado continua y eficiente.

PRECAUCIÓN:

- Una salida de aire baja del compresor, o una manguera de aire larga o de diámetro más pequeño en relación con la frecuencia de clavado podrá ocasionar una disminución de la capacidad de clavado de la herramienta.

Lubricación (Fig. 4)

Para asegurar el máximo rendimiento, instale un conjunto de aire (aceitero, regulador, filtro de aire) lo más cerca posible de la herramienta. Ajuste el aceitero de forma que provea una gota de aceite cada 30 clavos.

Cuando no se utilice un conjunto de aire, engrase la herramienta con aceite de herramientas neumáticas poniendo 2 (dos) o 3 (tres) gotas en el conector de aire. Esto deberá hacerse antes y después del uso. Para una lubricación apropiada, la herramienta deberá ser disparada unas cuantas veces después de haber introducido el aceite de herramientas neumáticas. (Fig. 5)

DESCRIPCIÓN DEL FUNCIONAMIENTO

PRECAUCIÓN:

- Desconecte siempre la manguera de aire antes de ajustar o comprobar la función de la herramienta.

Ajuste de la profundidad de clavado (Fig. 6)

Para ajustar la profundidad de clavado, gire el regulador. La profundidad de clavado será mayor cuando el regulador se gire completamente en la dirección A, como se muestra en la ilustración. Será menor cuando el regulador se gire en la dirección B. Si los clavos no se pueden clavar suficientemente incluso cuando el regulador se gire totalmente en la dirección A, aumente la presión de aire. Si los clavos se clavan demasiado incluso cuando el regulador se gire completamente en la dirección B, reduzca la presión de aire. En términos generales, la vida de servicio de la herramienta será más

larga cuando la herramienta se utilice con una presión de aire más baja y el regulador ajustado a un número más bajo.

PRECAUCIÓN:

- Desconecte siempre la manguera antes de ajustar la profundidad de clavado.

Gancho (Fig. 7)

PRECAUCIÓN:

- Desconecte siempre la manguera de la herramienta.
- No cuelgue nunca la herramienta en un lugar elevado o en una superficie potencialmente inestable.

El gancho es útil para colgar la herramienta temporalmente.

Ajuste de la guía de tejado (Fig. 8 y 9)

La guía de tejado está diseñada para una exposición de tablillas coherente. Coloque la tablilla para el tejado en la posición que desee.

Gire la palanca en el sentido contrario a las agujas de reloj para liberar la placa de ajuste. Vuelva a colocar la herramienta en la tablilla expuesta con los salientes del elemento de contacto ejerciendo presión sobre la parte inferior de la fila anterior de tablillas del tejado. Deslice la placa de ajuste hacia arriba contra la parte inferior de la tablilla expuesta y gire la palanca en el sentido contrario a las agujas del reloj para bloquear la placa de ajuste.

MONTAJE

PRECAUCIÓN:

- Desconecte siempre la manguera de aire antes de realizar un trabajo en la herramienta.

Carga de la clavadora (Fig. 10)

Seleccione los clavos apropiados para su trabajo. Ejercer presión sobre la palanca de pestillo y abra la tapa del depósito alimentador.

Levante y gire la placa de soporte de la bobina de forma que la flecha con el tamaño del clavo indicado en la placa del soporte de la bobina apunte hacia la marca de graduación incremental correspondiente marcada en el depósito alimentador. Si se utiliza la herramienta con el soporte de la bobina ajustado en el paso incorrecto, se puede producir una mala alimentación de clavos o una avería de la herramienta. **(Fig. 11)**

Coloque la bobina de clavos sobre la placa de soporte de la bobina. Desenrolle un número suficiente de clavos para alcanzar la garra de alimentación. Coloque el primer clavo en el canal de la varilla de empuje y el segundo clavo en la garra de alimentación.

Coloque otros clavos sin enrollar en el cuerpo del alimentador. Cierre la tapa del depósito alimentador tras comprobar si la bobina de clavos está correctamente colocada en el depósito alimentador. **(Fig. 12)**

Conexión de la manguera de aire (Fig. 13)

Encaje el acoplador de aire de la manguera de aire en el conector de aire de la clavadora de clavos. Asegúrese de que el acoplador de aire quede bloqueado firmemente en posición cuando lo instale en el conector de aire. Se deberá instalar un acoplamiento de manguera en o cerca de la herramienta de tal forma que el depósito de presión

se descargue al desconectar el acoplamiento de suministro de aire.


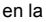
MANEJO

PRECAUCIÓN:

- Asegúrese de que todos los sistemas de seguridad estén en condiciones de funcionamiento antes de su utilización.

1. Para clavar un clavo, puede poner el elemento de contacto contra la pieza de trabajo y apretar el disparador o **(Fig. 14 y 15)**
 2. Apriete el gatillo primero y después ponga el elemento de contacto contra la pieza de trabajo.
- El método n° 1 se aplica para el clavado de clavos intermitente, cuando se desea clavar un clavo con cuidado y de forma muy precisa. El método n° 2 se utiliza para el clavado de clavos continuo.

PRECAUCIÓN:

- No obstante, cuando la herramienta esté configurada en el modo de "clavado de clavos intermitente", CON EL DISPARADOR APRETADO HASTA LA MITAD, puede producirse un clavado inesperado si se permite que el elemento de contacto vuelva a hacer contacto con la pieza de trabajo o con otra superficie bajo la influencia del retroceso. Para evitar este clavado inesperado, siga los siguientes pasos;
- A. No coloque el elemento de contacto contra la pieza de trabajo con excesiva fuerza.
- B. Tire del disparador completamente y manténgalo así durante 1 ó 2 segundos después del clavado.
- Para el método n° (1), coloque la palanca de cambio en la posición . Para el método n° (2), coloque la palanca de cambio en la posición . Después de utilizar la palanca de cambio para cambiar el método de clavado, asegúrese siempre de que la palanca de cambio se haya puesto correctamente en la posición del método de clavado deseado. **(Fig. 16 y 17)**

MANTENIMIENTO

PRECAUCIÓN:

- Desconecte siempre la manguera de aire de la herramienta antes de intentar realizar una inspección o mantenimiento.

Atasco de la clavadora (Fig. 18)

PRECAUCIÓN:

- Desconecte siempre la manguera de aire y retire los clavos del depósito alimentador antes de despejar un atasco.

Cuando la clavadora de clavos se atasque, haga lo siguiente:

Abra la tapa del depósito alimentador y retire la bobina. Inserte una varilla pequeña o similar en el puerto de expulsión y golpéea ligeramente con un martillo para expulsar el clavo atascado del puerto de expulsión. Vuelva a colocar la bobina de clavos y cierre la tapa del depósito alimentador.

Limpieza y extracción de residuos y suciedad

La adhesión de residuos y suciedad a áreas alrededor del elemento de contacto impedirá un movimiento suave del elemento de contacto (mecanismo de seguridad). Se causará una descarga accidental. Limpie periódicamente las áreas alrededor del elemento de contacto. Use un disolvente, como por ejemplo, queroseno, fuel oil n° 2 o combustible diesel.

Sumerja sólo el elemento de contacto y las áreas alrededor del puerto de expulsión en disolvente y retire los residuos y la suciedad con un cepillo. Use siempre guantes impermeables para proteger sus manos. No sumerja nunca el cuerpo de la herramienta, el depósito alimentador, etc. en disolvente. Puede provocarse una avería. Siempre debe desechar el disolvente usado de forma prudente y segura y de acuerdo con todos los requisitos de normativas locales y nacionales. (Fig. 19) Seque la herramienta antes de su uso. Cualquier película de aceite que quede tras la limpieza acelerará la acumulación de suciedad y la herramienta requerirá una limpieza más frecuente. Tras secar la herramienta, engrase las piezas móviles para evitar la aparición de óxido y garantizar una buena lubricación y un buen funcionamiento de las partes móviles.

ADVERTENCIA:

- Nunca use gasolina u otros líquidos igualmente volátiles para la limpieza. Los vapores de tales líquidos pueden entrar en la herramienta y se pueden incendiar por las chispas producidas durante el clavado y causar una explosión.

Drenado de la herramienta

Desconecte la manguera de la herramienta. Coloque la herramienta de forma que la cara de acoplamiento del aire mire hacia el suelo. Drene tanto como sea posible.

Limpieza de la herramienta

El polvo metálico que se adhiere al imán se puede quitar mediante un soplador.

Tapa

Cuando no se utilice, desconecte la manguera. Cubra el conector de aire con la tapa. (Fig. 20)

Almacenamiento

Cuando no utilice la clavadora, debe almacenarla en un lugar templado y seco.

Mantenimiento del compresor, conjunto de aire y manguera de aire. (Fig. 21 y 22)

Después de una operación, drene siempre el tanque compresor y el filtro de aire. Si permite que entre humedad en la herramienta, podrá provocar un rendimiento deficiente y un posible fallo de la herramienta.

Compruebe regularmente si hay suficiente aceite de herramientas neumáticas en el aceitero del conjunto de aire. Si no se mantiene una suficiente lubricación las juntas tóricas se desgastarán rápidamente. (Fig. 23) Mantenga la manguera de aire alejada del calor (más de 60°C, más de 140°F) y de sustancias químicas (disolvente, ácidos fuertes o alcalinos). Además, tienda la manguera alejada de obstáculos en los que pueda engancharse peligrosamente durante la operación. Las mangueras también deberán tenderse alejadas de cantos cortantes y áreas que puedan ocasionar daños o abrasión a la manguera. (Fig. 24)

Para conservar la SEGURIDAD y la FIABILIDAD del producto, los trabajos de reparación y otros trabajos de mantenimiento y ajuste deberán ser realizados en centros de servicio autorizados de Makita, utilizando siempre repuestos Makita.

ACCESORIOS

PRECAUCIÓN:

- Se recomienda el uso de estos accesorios o complementos con la herramienta Makita especificada en este manual. El uso de otros accesorios o complementos puede conllevar el riesgo de ocasionar daños corporales. Utilice los accesorios o complementos solamente para su fin establecido.

Si necesita cualquier ayuda para obtener más información relativa a estos accesorios, pregunte al centro de servicio Makita local.

- Clavos
- Mangueras de aire
- Gafas de seguridad

Sólo para países europeos

ENG046-2

Ruido y vibración

Los niveles de ruido típicos de ponderación A son nivel de presión sonora: 84 dB (A)
nivel de potencia sonora: 97 dB (A).
Incertidumbre (K): 1,5 m/s²

Utilice protección para los oídos.

El valor ponderado de aceleración es 3,0 m/s².

Estos valores se han obtenido conforme a EN792.

DECLARACIÓN DE CONFORMIDAD DE LA CE

ENH013-7

Modelo; AN450H

Declaramos bajo nuestra exclusiva responsabilidad que este producto cumple con los siguientes estándares de documentos estandarizados:

EN792 de acuerdo con las directivas del Consejo 98/37/EC.

CE 2008



Tomoyasu Kato
Director

Fabricante responsable:

Makita Corporation

3-11-8, Sumiyoshi-cho, Anjo, Aichi, JAPÓN

Representante autorizado en Europa:

Makita International Europe Ltd.

Michigan Drive, Tongwell, Milton Keynes, Bucks MK15 8JD, REINO UNIDO

Descrição geral

- | | | |
|--|--------------------------------|---------------------------|
| 1. Óculos de protecção | 11. Saliência | 22. Gatilho |
| 2. Visor de protecção | 12. Alavanca | 23. Peça de trabalho |
| 3. Débito de ar por minuto do compressor | 13. Chapa de afinação | 24. Alavanca de comutação |
| 4. Frequência de pregagem | 14. Tampa do carregador | 25. Haste pequena |
| 5. Óleo pneumático | 15. Alavanca de engate | 26. Porta de ejeção |
| 6. Regulador | 16. Placa de suporte da bobina | 27. Tampa |
| 7. Gancho | 17. Graduação | 28. Bujão |
| 8. Elemento de contacto | 18. Seta | 29. Filtro de ar |
| 9. Guia de ripas de telhado | 19. Garra de alimentação | 30. Lubrificador |
| 10. Ripa de telhado | 20. Conector de ar | |
| | 21. Entrada de ar | |

ESPECIFICAÇÕES

Modelo	AN450H
Pressão de ar	1,28 - 2,26 Mpa (12,8 - 22,6 bar)
Comprimento dos pregos	19 mm - 45 mm
Capacidade de pregos	120 unidades
Diâmetro mínimo da mangueira	5,0 mm
Lubrificante para ferramentas pneumáticas	Óleo para turbinas
Dimensões (C X A X L)	287 mm X 276 mm X 117 mm
Peso líquido	2,2 kg

- Devido à pesquisa e desenvolvimento constantes, estas especificações estão sujeitas a alteração sem aviso prévio.
- Nota: estas especificações podem diferir de país para país.

Símbolos

END106-2

Descrição dos símbolos utilizados no equipamento.

Certifique-se de que compreende o seu significado, antes da utilização.



..... Leia o manual de instruções.



..... Use óculos de segurança.



..... Não utilizar em andaimes ou escadas.

Utilização prevista

ENE059-1

A ferramenta destina-se a trabalhos preliminares interiores tais como a fixação de vigas de sustentação de soalho ou caibros comuns e montagem de enquadramento em encaixes de 5 cm x 10 cm.

INSTRUÇÕES DE SEGURANÇA IMPORTANTES

ENB109-2

AVISO DE INSTRUÇÕES DE SEGURANÇA IMPORTANTES: DURANTE A UTILIZAÇÃO DESTA FERRAMENTA, DEVEM SER CUMPRIDAS AS PRECAUÇÕES DE SEGURANÇA BÁSICAS, PARA REDUZIR O RISCO DE FERIMENTOS, INCLUINDO AS SEGUINTE:

LEIA TODAS AS INSTRUÇÕES.

- Para garantir a segurança pessoal e um funcionamento e manutenção correctos da ferramenta, leia este manual de instruções antes de utilizar a ferramenta.
- Use sempre óculos de segurança para proteger os seus olhos contra pó ou ferimentos devido aos pregos. **AVISO:** É da responsabilidade da entidade empregadora garantir o uso do equipamento de protecção para os olhos por parte dos operadores e outras pessoas perto da área de trabalho.
- Apenas para a Austrália e Nova Zelândia Use sempre óculos de segurança e o visor de protecção para proteger os seus olhos contra pó ou ferimentos devido aos pregos. Os óculos de segurança e o visor de protecção devem respeitar os requerimentos de AS/NZS 1336. **AVISO:** É da responsabilidade da entidade empregadora garantir o uso do equipamento de protecção para os olhos por parte dos operadores e outras pessoas perto da área de trabalho. (Fig. 1)
- Use protecção para os ouvidos para os proteger contra os ruídos de trabalho e protecção para a cabeça. Use roupa leve mas não folgada. As mangas devem estar apertadas ou enroladas. Não devem ser usadas gravatas.
- Fazer o trabalho à pressa ou forçar a ferramenta é perigoso. Segure com cuidado na ferramenta. Não utilize quando estiver sob a influência de álcool, medicamentos ou substâncias semelhantes.

- Linhas orientadoras para a utilização da ferramenta:
 - (1) Presuma sempre que a ferramenta contém pregos.
 - (2) Não aponte a ferramenta na sua direcção ou de outra pessoa, independentemente de conter pregos ou não.
 - (3) Não active a ferramenta a não ser que a ferramenta seja colocada firmemente contra a peça de trabalho.
 - (4) Respeite a ferramenta como uma ferramenta de trabalho.
 - (5) Não é um brinquedo.
 - (6) Não segure ou transporte a ferramenta com um dedo no gatilho.
 - (7) Não carregue a ferramenta com pregos quando qualquer um dos comandos de funcionamento estiver activado.
 - (8) Não utilize a ferramenta com qualquer outra fonte de alimentação além da especificada nas instruções de funcionamento/segurança da ferramenta.
- Não deve ser utilizada uma ferramenta que não funcione correctamente.
- Por vezes saltam faíscas quando a ferramenta é utilizada. Não utilize a ferramenta perto de materiais voláteis e inflamáveis, tais como gasolina, diluente, tinta, gás, adesivos, etc., uma vez que estes se incendiarão e explodirão, provocando ferimentos graves.
- A área deve estar suficientemente iluminada para garantir um funcionamento seguro. A área deve estar desimpedida e limpa. Tenha especial atenção em manter um bom apoio e equilíbrio.
- Apenas as pessoas envolvidas no trabalho se devem encontrar nas proximidades. As crianças devem estar sempre afastadas.
- Poderão existir normas locais relativamente ao ruído, que devem ser cumpridas mantendo os níveis de ruído dentro dos limites indicados. Em determinados casos, devem ser utilizados elementos de isolamento acústico.
- Não brinque com o elemento de contacto: evita o accionamento accidental, não devendo ser removido. Fixar o gatilho na posição ON (ligado) é igualmente muito perigoso. Nunca tente apertar o gatilho. Não utilize a ferramenta se qualquer parte dos comandos estiver inoperacional, desligada, alterada ou a funcionar incorrectamente.
- Utilize a ferramenta dentro da pressão de ar especificada de 0,98 - 2,26 MPa (9,8 - 22,6 bar) para garantir a segurança e uma maior longevidade da ferramenta. Não exceda a pressão de funcionamento máxima recomendada de 2,26 MPa (22,6 bar). A ferramenta não deve ser ligada a uma fonte em que a pressão exceda potencialmente 3,39 MPa (33,9 bar).
- Certifique-se de que a pressão fornecida pelo sistema de ar comprimido não excede a pressão máxima permitida da ferramenta de inserção de pregos. Ajuste inicialmente a pressão do ar para o valor mínimo da pressão permitida recomendada (consulte as ESPECIFICAÇÕES).
- Nunca use a ferramenta a não ser com ar comprimido. Se utilizar gás engarrafado (dióxido de carbono, oxigénio, nitrogénio, hidrogénio, ar, etc.) ou gás combustível (hidrogénio, propano, acetileno, etc.) como fonte de alimentação, a ferramenta explodirá causando ferimentos graves.
- Antes de utilizar, verifique sempre a condição geral da ferramenta e inspecione para ver se há parafusos soltos. Aperte-os como necessário.
- Certifique-se de que todos os sistemas de segurança estão a funcionar adequadamente antes de utilizar a ferramenta. A ferramenta não deve funcionar caso prima apenas o gatilho ou pressione apenas o elemento de contacto contra a madeira. Esta deve funcionar apenas ao executar ambas as acções. Faça um teste sem pregos e com o impulsor na posição de apertado para verificar se há problemas no funcionamento.
- Inspecione cuidadosamente as paredes, tecto, pisos e telhados para evitar o risco de choque eléctrico, fuga de gás, explosões, etc. que podem resultar do contacto dos pregos com fios ligados, condutos ou canos de gás.
- Utilize apenas pregos especificados neste manual. A utilização de pregos diferentes pode causar o mau funcionamento da ferramenta.
- Nunca utilize pregadores marcados com a inscrição "Não utilizar em andaimes ou escadas" para aplicações específicas, por exemplo:
 - quando ao mudar de uma posição de trabalho para outra for preciso utilizar andaimes, degraus, escadas usadas em construção, por exemplo, ripas de telhado;
 - ao fechar caixas ou engradados;
 - ao fixar sistemas de segurança de transporte, por exemplo, em veículos ou vagões.
- Não permita que pessoas não familiarizadas utilizem a ferramenta.
- Assegure-se de que não há ninguém nas proximidades antes de pregar. Nunca tente pregar do lado de dentro e do lado de fora ao mesmo tempo. Os pregos podem atravessar a madeira e/ou sair disparados, apresentando um perigo muito grave.
- Tenha cuidado e mantenha-se numa posição firme e equilibrada durante a utilização da ferramenta. Certifique-se de que ninguém está por baixo quando trabalhar em locais altos e fixe a mangueira de ar para evitar acidentes caso a mesma se enrosque em algo ou haja um movimento brusco e súbito.
- Ao trabalhar em telhados ou outros locais altos, pregue movendo-se para a frente. É fácil perder o equilíbrio se pregar movendo-se para trás. Quando está a pregar contra superfícies perpendiculares, pregue de cima para baixo. Assim, poderá executar a operação de pregar com menos cansaço.
- O prego poderá entortar-se ou a ferramenta poderá encravar se pregar sobre outro prego por engano ou se atingir um nó da madeira. O prego poderá sair disparado e atingir alguém ou a própria ferramenta pode reagir de modo perigoso. Coloque os pregos com cuidado.
- Não deixe a ferramenta carregada ou o compressor de ar com pressão sob o sol durante muito tempo. Certifique-se de que poeira, areia, pedaços de madeira ou outros objectos estranhos não entram na ferramenta onde a deixar.

- Não aponte a porta de ejeção a ninguém que se encontre nas proximidades. Mantenha as mãos e os pés afastados da área da porta de ejeção.
- Se a mangueira de ar estiver conectada, não transporte a ferramenta com o dedo no gatilho nem a entregue a alguém nessa condição. O disparo acidental pode ser extremamente perigoso.
- Manuseie a ferramenta com cuidado dado que há pressão muito alta dentro da mesma e pode ser perigoso se houver uma fissura causada por um manuseamento impróprio (derrubar ou bater a mesma). Não tente entalhar ou esculpir na ferramenta.
- Pare de pregar imediatamente se notar qualquer problema ou algo anormal na ferramenta.
- Desligue sempre a mangueira de ar e retire todos os pregos:
 - (9) Quando a deixar sem vigilância.
 - (10) Antes de efectuar qualquer operação de manutenção ou reparação.
 - (11) Antes de eliminar qualquer obstrução.
 - (12) Antes de levar a ferramenta para um novo local.
- Efectue a limpeza e a manutenção logo após terminar o trabalho. Mantenha a ferramenta em ótimas condições. Lubrifique as peças giratórias para evitar que fiquem enferrujadas e para minimizar o desgaste devido à fricção. Limpe a poeira das peças.
- Não modifique a ferramenta sem autorização prévia da Makita.
- Solicite a inspeção periódica da ferramenta nos centros de assistência autorizada Makita.
- Para manter os níveis de SEGURANÇA e FIABILIDADE definidos para este produto, as reparações e operações de manutenção devem ser executadas por centros de assistência Makita autorizados, utilizando sempre peças de substituição da Makita.
- Utilize apenas o lubrificante para ferramentas pneumáticas especificado neste manual.
- Nunca ligue a ferramenta a um linha de ar comprimido na qual a pressão máxima permitida da ferramenta não possa ser excedida em 10 %. Certifique-se de que a pressão fornecida pelo sistema de ar comprimido não excede a pressão máxima permitida da ferramenta de inserção de pregos. Ajuste inicialmente a pressão do ar para o valor mínimo de pressão permitida recomendada.
- Não tente manter o elemento de contacto do gatilho pressionado com fita-cola ou fios. Pode provocar morte ou ferimentos graves.
- Verifique sempre o elemento de contacto de acordo com as instruções constantes neste manual. Os pregos podem não penetrar o suficiente se o mecanismo de segurança não estiver a funcionar correctamente.

GUARDE ESTAS INSTRUÇÕES.

INSTALAÇÃO

Seleção do compressor (Fig. 2)

O compressor de ar deve cumprir os requisitos da norma EN60335-2-34.

Selecione um compressor que tenha ampla pressão e débito de ar para garantir uma operação com eficiência

de custo. O gráfico ilustra a relação entre a frequência de pregagem, pressão aplicável e débito do ar comprimido. Por exemplo, se pregar a uma taxa de aproximadamente 50 vezes por minuto, a uma compressão de 1,76 MPa (17,6 bar), é necessário um compressor com saída de ar de 90 litros/minuto.

Se a pressão do ar fornecido exceder a pressão indicada na ferramenta, será necessário utilizar reguladores de pressão para limitar a pressão do ar de acordo com a pressão indicada para a ferramenta. Caso contrário, poderá resultar em ferimentos graves no operador da ferramenta ou em outras pessoas nas proximidades.

Seleção da mangueira de ar (Fig. 3)

Utilize uma mangueira de ar robusta e de alta pressão. Utilize uma mangueira de ar tão larga e tão curta quanto possível para garantir uma operação contínua e eficiente.

PRECAUÇÃO:

- Um débito de ar reduzido do compressor ou uma mangueira de ar longa e com diâmetro pequeno em relação à frequência de pregagem pode diminuir a capacidade de funcionamento da ferramenta.

Lubrificação (Fig. 4)

Para garantir o máximo desempenho, instale um conjunto de ar (recipiente de óleo, regulador e filtro de ar) o mais próximo possível da ferramenta. Ajuste o lubrificador de forma que forneça uma gota de óleo para cada 30 pregos.

Se não utilizar um conjunto de ar, lubrifique a ferramenta com lubrificante para ferramentas pneumáticas colocando 2 (duas) ou 3 (três) gotas no conector de ar. Isto deve ser feito antes e após a utilização. Para uma lubrificação adequada, a ferramenta deve ser accionada algumas vezes após a colocação do lubrificante para ferramentas pneumáticas. (Fig. 5)

DESCRIÇÃO DO FUNCIONAMENTO

PRECAUÇÃO:

- Desligue sempre a mangueira de ar antes de regular ou verificar o funcionamento da ferramenta.

Regular a profundidade de pregagem (Fig. 6)

Para ajustar a penetração do prego, rode o ajustador. A penetração máxima de pregagem ocorre na posição em que o ajustador está totalmente rodado na direcção A apresentada na imagem. A penetração diminui à medida que o ajustador é rodado para a direcção B. Se os pregos não penetrarem o suficiente mesmo quando o ajustador está totalmente rodado para a direcção A, aumente a pressão do ar. Se os pregos penetrarem demais, mesmo quando o ajustador está totalmente rodado na direcção B, diminua a pressão do ar. Em geral, a vida útil da ferramenta será mais longa se for utilizada com baixa pressão de ar e o ajustador for regulado para um valor de penetração mais baixo.

PRECAUÇÃO:

- Desligue sempre a mangueira de ar antes de regular a profundidade de pregagem.

Gancho (Fig. 7)

PRECAUÇÃO:

- Desligue sempre a mangueira da ferramenta.
- Nunca pendure a ferramenta num local elevado ou potencialmente instável.

O gancho é muito útil para pendurar a ferramenta temporariamente.

Regular a guia de ripas de telhado (Fig. 8 e 9)

A guia de ripas de telhado destina-se a uma exposição consistente das ripas de telhado. Coloque a ripa de telhado na posição pretendida.

Rode a alavanca para a direita para libertar a chapa de afinação. Volte a colocar a ferramenta sobre a ripa de telhado exposta com as projecções do elemento de contacto premindo a parte inferior da fila anterior da ripa de telhado. Empurre a chapa de afinação para cima, encostando-a à ripa de telhado exposta e rode a alavanca para a esquerda para bloquear a chapa de afinação.

MONTAGEM

PRECAUÇÃO:

- Desligue sempre a mangueira de ar antes de efectuar qualquer trabalho na ferramenta.

Carregar o pregador (Fig. 10)

Selecione os pregos de acordo com o trabalho. Prima a alavanca de engate e abra a tampa do carregador.

Levante e rode a placa de suporte da bobina de modo a que a seta com indicação de tamanho do prego na placa de suporte da bobina aponte para a graduação correspondente, marcada no carregador. Se a ferramenta for accionada com a placa de suporte da bobina configurada para um passo errado, poderá ocorrer um reabastecimento deficiente de pregos ou avaria da ferramenta. (Fig. 11)

Coloque a bobina de pregos sobre a placa de suporte da bobina. Desenrole um número suficiente de pregos de modo a atingir a garra de alimentação. Coloque o primeiro prego no canal da ponta e o segundo prego na garra de alimentação.

Coloque os pregos não desenrolados no corpo do alimentador. Feche a tampa do carregador depois de se certificar que a bobina de pregos está devidamente colocada no carregador. (Fig. 12)

Ligar a mangueira de ar (Fig. 13)

Introduza a entrada de ar da mangueira de ar no conector de ar do pregador. Certifique-se de que a entrada de ar fica bem bloqueada no lugar quando instalada no conector de ar. Deve ser instalada uma união da mangueira na ou perto da ferramenta, de forma a que o depósito de pressão descarregue quando a união do fornecimento de ar for desligada.


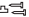
FUNCIONAMENTO

PRECAUÇÃO:

- Certifique-se de que todos os sistemas de segurança estão a funcionar adequadamente antes de utilizar a ferramenta.

1. Para pregar, coloque o elemento de contacto contra a peça de trabalho e aperte o gatilho, ou (Fig. 14 e 15)
 2. primeiro prima o gatilho e depois coloque o elemento de contacto contra a peça de trabalho.
- O método n.º 1 é para pregagem intermitente, quando deseja pregar cuidadosa e precisamente. O método n.º 2 é para pregagem contínua.

PRECAUÇÃO:

- No entanto quando a ferramenta está colocada no modo de “Pregagem Intermitente”, COM O GATILHO MANTIDO NA POSIÇÃO DE MEIO CARREGADO, pode ocorrer uma pregagem inesperada se o elemento de contacto volta a contactar a peça de trabalho ou outra superfície sob a influência do recuo. Para evitar esta pregagem inesperada, faça o seguinte:
 - A. Não coloque o elemento de contacto contra a peça de trabalho com força excessiva.
 - B. Carregue completamente no gatilho e mantenha-o pressionado durante 1-2 segundos depois da pregagem.
- Para o método n.º (1), coloque a alavanca de alteração na posição . Para o método n.º (2), coloque a alavanca de alteração na posição . Depois de utilizar a alavanca de comutação para mudar o método de pregar, certifique-se de que a alavanca de alteração está colocada na posição correcta para o método de pregar desejado. (Fig. 16 e 17)

MANUTENÇÃO

PRECAUÇÃO:

- Desligue sempre a mangueira de ar da ferramenta antes de tentar executar qualquer inspecção ou manutenção.

Pregador encravado (Fig. 18)

PRECAUÇÃO:

- Desligue sempre a mangueira de ar e retire os pregos do carregador antes de desobstruir a ferramenta.

Se o pregador ficar encravado, efectue o seguinte: Abra a tampa do carregador e retire a bobina de pregos. Insira uma haste pequena ou algo semelhante na porta de ejeção e bata de leve na mesma com um martelo para retirar o prego encravado da porta de ejeção. Volte a colocar a bobina de pregos e feche a tampa do carregador.

Limpar e retirar alcatrão e poeira

A aderência de alcatrão e poeira nas zonas à volta do elemento de contacto irá impedir o movimento suave do elemento de contacto (mecanismo de segurança). Tal poderá provocar um accionamento accidental. Limpe periodicamente as áreas à volta do elemento de contacto. Utilize um solvente tipo querosene, fuelóleo n.º 2 ou gasóleo.

Mergulhe apenas o elemento de contacto e as áreas à volta da porta de ejeção em solvente e retire o alcatrão e a poeira com uma escova. Utilize sempre luvas impermeáveis para proteger as suas mãos. Nunca mergulhe a caixa, o carregador, etc. em solvente. Poderá resultar em avaria da ferramenta. Descarte sempre o solvente utilizado de modo seguro e prudente e em

conformidade com todos os requisitos legais locais e nacionais. (Fig. 19)

Seque a ferramenta antes de a utilizar. A permanência de uma camada de óleo após a limpeza poderá acelerar a acumulação de alcatrão, resultando na necessidade de limpeza mais frequente. Depois de secar a ferramenta, lubrifique as peças móveis para evitar que enferrujem e para garantir uma lubrificação e funcionamento adequados das peças móveis.

AVISO:

- Nunca utilize gasolina ou outros líquidos altamente voláteis semelhantes para a limpeza. Os vapores destes líquidos poderão entrar na ferramenta e poderão incendiar-se pela acção das faíscas produzidas durante a pregagem e resultar em explosão.

Bujão

Retire a mangueira da ferramenta. Coloque a ferramenta de forma a que a saída de ar fique virada para o chão. Purgue o máximo de ar possível.

Limpar a ferramenta

É possível retirar o pó de ferro que adere ao íman com um soprador de ar.

Tampa

Quando não estiver em utilização, desligue a mangueira. De seguida, tape a entrada de ar com a tampa. (Fig. 20)

Armazenamento

Quando não estiver em utilização, a máquina de pregar deve ser guardada num local quente e seco.

Manutenção do compressor, conjunto de ar e mangueira de ar (Fig. 21 e 22)

Após utilizar, drene sempre o tanque do compressor e o filtro de ar. Se entrar humidade na ferramenta, poderá afectar o desempenho ou causar falha da ferramenta. Inspeccione regularmente para ver se há lubrificante para ferramentas pneumáticas suficiente no lubrificador do conjunto de ar. Se a lubrificação não for suficiente, os anéis em O ficarão rapidamente desgastados. (Fig. 23) Mantenha a mangueira de ar afastada de calor (acima de 60°C ou 140°F) e de produtos químicos (diluentes, ácidos fortes ou álcalis). Além disso, coloque a mangueira longe de obstáculos nos quais a mesma possa ser presa perigosamente durante a utilização.

As mangueiras também devem ser direccionadas para longe de arestas aguçadas ou áreas que possam causar danos ou abrasão. (Fig. 24)

Para manter os níveis de SEGURANÇA e FIABILIDADE definidos para este produto, as reparações e os procedimentos de manutenção ou ajustes devem ser executados por centros de assistência Makita autorizados, utilizando sempre peças de substituição Makita.

ACESSÓRIOS

PRECAUÇÃO:

- Os seguintes acessórios ou extensões são os recomendados para utilizar com a ferramenta Makita especificada neste manual. A utilização de outros acessórios ou extensões pode provocar ferimentos. Utilize cada acessório ou extensão apenas para o fim indicado.

Se precisar de informações adicionais relativas aos acessórios, contacte o centro local de assistência Makita.

- Pregos
- Mangueiras de ar
- Óculos protectores

Apenas para os países europeus

ENG046-2

Ruído e vibrações

Os níveis típicos de ruído ponderado A são

nível de pressão sonora: 84 dB (A)

nível de potência sonora: 97 dB (A).

Imprecisão (K): 1,5 m/s²

Use protecção para os ouvidos.

A raiz quadrada do valor médio ponderado da variação da aceleração é de 3,0 m/s².

Estes valores foram obtidos segundo a norma EN792.

CE - DECLARAÇÃO DE CONFORMIDADE

ENH013-7

Modelo; AN450H

Declaramos, sob a nossa única responsabilidade, que este produto está em conformidade com as seguintes normas de documentos normalizados;

EN792 em conformidade com as normas do Conselho, 98/37/CE.

CE 2008



Tomoyasu Kato
Administrador

Fabricante responsável:

Makita Corporation

3-11-8, Sumiyoshi-cho, Anjo, Aichi, JAPÃO

Representante autorizado na Europa:

Makita International Europe Ltd.

Michigan Drive, Tongwell, Milton Keynes, Bucks MK15 8JD, INGLATERRA

Forklaring til generel oversigt

1. Beskyttelsesbriller	11. Projektion	22. Afbryderkontakt
2. Ansigtsskærm	12. Håndtag	23. Arbejdsemne
3. Afgivelse af kompressorluft pr. minut	13. Juster plade	24. Skiftearm
4. Sømfrekvens	14. Magasindæksel	25. Lille metalstift
5. Trykluftsolie	15. Håndtag til holdemekanisme	26. Udstødsport
6. Justeringsenhed	16. Båndstøtteplade	27. Hætte
7. Krog	17. Gradinddeling	28. Aftåpningshane
8. Kontaktelement	18. Pål	29. Luftfilter
9. Styreenhed til tagspån	19. Fremføringsgriber	30. Smørenippel
10. Tagspån	20. Luftbøsning	
	21. Lufttilslutning	

SPECIFIKATIONER

Model	AN450H
Luftryk	1,28 - 2,26 Mpa (12,8 - 22,6 bar)
Sømlængde	19 - 45 mm
Sømkapacitet	120 stk.
Mindste slangediameter	5,0 mm
Olie til trykluftsværktøj	Turbineolie
Størrelse (L x H x B)	287 mm x 276 mm x 117 mm
Nettovægt	2,2 kg

- På grund af vores løbende forsknings- og udviklingsprogram kan specifikationerne heri ændres uden forudgående varsel.
- Bemærk: Specifikationerne kan variere fra land til land.

Symboler

END106-2

Følgende viser de symboler, der benyttes til udstyret. Vær sikker på, at du forstår deres betydning, før du bruger værktøjet.



..... Læs brugsanvisningen.



..... Bær beskyttelsesbriller.



..... Anvend ikke enheden på stilladser eller stiger.

Tilsligt brug

ENE059-1

Dette værktøj er tiltænkt til det indledende indvendige arbejde såsom fastgørelse af bjælker eller almindelige spær og rammekonstruktion i et 2 "x 4"-hus.

VIGTIGE SIKKERHEDSINSTRUKTIONER

ENB109-2

VIGTIGE SIKKERHEDSINSTRUKTIONER ADVARSEL: UNDER ANVENDELSEN AF VÆRKTØJET SKAL DU ALTID OVERHOLDE GRUNDLÆGGENDE SIKKERHEDSFORANSTALTNINGER FOR AT MINDSKE RISIKOEN FOR PERSONSKADE, INKLUSIVE FØLGENDE:

LÆS ALLE INSTRUKTIONER.

- Af hensyn til din personlige sikkerhed og for at sikre korrekt brug og vedligeholdelse af værktøjet skal du læse denne brugsanvisning, før du anvender værktøjet.
- Bær altid beskyttelsesbriller for at beskytte øjnene mod støv eller skader forårsaget af søm.
ADVARSEL:
Det er arbejdsgiverens ansvar at påbyde brug af beskyttelsesudstyr til øjnene af brugerne af værktøjet samt af andre personer i arbejdsområdet.
- Gælder kun for Australien og New Zealand. Bær altid beskyttelsesbriller og ansigtsskærm for at beskytte øjnene mod støv eller skader forårsaget af søm. Beskyttelsesbrillerne og ansigtsskærmen skal være i overensstemmelse med AS/NZS 1336.
ADVARSEL:
Det er arbejdsgiverens ansvar at påbyde brug af beskyttelsesudstyr til øjnene af brugerne af værktøjet samt af andre personer i arbejdsområdet. **(Fig. 1)**
- Bær høreværn for at beskytte hørelsen mod motorstøj, og bær desuden hovedbeskyttelse. Bær også let, men ikke løs beklædning. Ærmer skal være knappet eller rullet op. Undlad at bære slips.
- Det er farligt at arbejde forhastet eller bruge magt på værktøjet. Håndter værktøjet forsigtigt. Undlad at benytte det, hvis du er påvirket af alkohol, medicin eller lignende.
- Generelle retningslinjer for brug af værktøjet:
 - (1) Gå altid ud fra, at værktøjet indeholder søm.

- (2) Ret ikke værktøjet mod dig selv eller andre, uanset om det indeholder søm eller ej.
 - (3) Aktiver ikke værktøjet, medmindre det er placeret fast mod arbejdsområdet.
 - (4) Hav respekt for værktøjet som værende et arbejdsredskab.
 - (5) Undlad at lege med værktøjet.
 - (6) Undlad at holde eller bære værktøjet med en finger på afbryderkontakten.
 - (7) Undlad at sætte søm i værktøjet, mens en af betjeningskontrollerne er aktiveret.
 - (8) Undlad at betjene værktøjet med en anden strømkilde end den, der er angivet i værktøjets betjenings- og sikkerhedsinstruktioner.
- Anvend ikke værktøjet, hvis det ikke fungerer korrekt.
 - Der kan forekomme gnister, når værktøjet anvendes. Undlad at anvende værktøjet i nærheden af flygtige, brændbare materialer som benzin, fortynder, maling, gas, klæbemidler osv. De kan antændes og eksplodere og forårsage alvorlig personskade.
 - Arbejdsområdet skal være tilstrækkeligt oplyst til at sikre forsvarlig anvendelse. Området skal være rent og frit for affald. Sørg især for at sikre godt fodfæste og god balance.
 - Kun personer, der deltagere i arbejdet, må opholde sig i nærheden. Især må børn ikke komme i nærheden.
 - Der kan gælde lokal lovgivning vedrørende støj, som skal overholdes for at holde støjniveauet inden for de lovmæssige grænser. I nogle tilfælde skal der benyttes skodder til at dæmpe støjen.
 - Undlad at pille ved kontaktelelementet. Det forhindrer udladning ved uheld, og det skal derfor forblive monteret og må ikke fjernes. Det er også meget farligt at fastlåse afbryderkontakten i ON-stillingen. Forsøg aldrig at fastlåse afbryderkontakten. Undlad at betjene værktøjet, hvis nogen del af værktøjets betjeningskontroller ikke kan benyttes, er deaktiveret, ændret eller ikke fungerer korrekt.
 - Anvend værktøjet med det angivne lufttryk på 0,98 - 22,6 MPa (9,8 - 22,6 bar) af sikkerhedshensyn og for at forlænge værktøjets levetid. Undlad at overskride det anbefalede maksimale driftstryk på 2,26 MPa (22,6 bar). Værktøjet må ikke slutes til en kompressor, hvis tryk kan overskride 3,39 MPa (33,9 bar).
 - Sørg for, at det tryk, som luftkompressorsystemet leverer, ikke overskrider sømpistolens maksimalt tilladte tryk. Indstil først lufttrykket til den laveste værdi for det anbefalede tilladte tryk (se under SPECIFIKATIONER).
 - Brug aldrig værktøjet sammen med andet end komprimeret luft. Hvis der benyttes flaskegas (kuldioxid, ilt, nitrogen, brint, luft osv.) eller brændbar gas (brint, propan, acetylen osv.) som drivmiddel til værktøjet, kan værktøjet eksplodere og forårsage alvorlig personskade.
 - Kontroller altid værktøjets generelle tilstand, og se efter løse skruer før brugen. Stram til efter behov.
 - Sørg for, at alle sikkerhedssystemer fungerer, før anvendelsen. Værktøjet må ikke fungere, hvis der kun trækkes i aftrækkeren, eller kun hvis kontakttarmen trykkes mod træet. Det må kun fungere, når begge disse handlinger udføres. Kontroller for eventuel fejlfunktion uden søm i værktøjet og med trykanordningen i fuldt indtrykket position.
 - Kontroller vægge, lofter, gulve, tage og lignende omhyggeligt for at undgå risiko for elektrisk stød, gasudsvingning, eksplosioner osv. ved at ramme strømførende ledninger, vandledninger eller gasrør.
 - Brug kun de søm, der er angivet i denne brugsanvisning. Brug af andre søm kan beskadige værktøjet.
 - Anvend aldrig sømpistoler, der er mærket med symbolet "Må ikke anvendes på stilladser, stiger" til bestemte formål, f.eks.:
 - Ved skift fra et arbejdssted til et andet, der involverer brug af stilladser, trapper, stiger eller stigelignende konstruktioner som f.eks. taglægter.
 - Lukning af kasser eller tremmekasser.
 - Montering af transportsikkerhedssystemer, f.eks. på biler og vogne.
 - Lad ikke uøvede personer benytte værktøjet.
 - Sørg for, at der ikke er andre i nærheden, før du begynder at sømme. Forsøg aldrig at sømme fra både indersiden og ydersiden samtidigt. Søm kan gå igennem og/eller flyve væk og udgøre en alvorlig fare.
 - Vær opmærksom på fodfæstet, og hold balancen med værktøjet. Sørg for, at der ikke er nogen under dig, når du arbejder på højtliggende steder, og fastgør luftslangen for at forebygge fare i tilfælde af pludselige ryk eller ved fastklemning.
 - På tage og andre højtliggende steder skal du sømme, efterhånden som du bevæger dig fremad. Du risikerer at miste fodfæstet, hvis du sømmer, mens du går baglæns. Når du sømmer i lodrette overflader, skal du sømme oppefra og nedefter. På denne måde kan du arbejde uden at blive træt.
 - Et søm kan blive bøjet eller sidde fast i værktøjet, hvis du ved en fejltagelse slår et søm oven i et andet søm eller rammer en knast i træet. Sømmet kan blive slynget ud og ramme personer, eller selve værktøjet kan reagere på en farlig måde. Vær omhyggelig med placeringen af søm.
 - Undlad at lade værktøjet med søm eller luftkompressoren under tryk ligge i solen i længere tid. Sørg for, at støv, sand, spåner og fremmedlegemer ikke kan komme ind i værktøjet på det sted, du efterlader det.
 - Ret ikke udstødsporten mod personer i nærheden. Hold hænder og fødder borte fra området omkring udstødsporten.
 - Undlad at bære værktøjet med fingeren på afbryderkontakten eller at række det til andre i denne tilstand, når luftslangen er tilsluttet. Utilsliget affyring af søm kan være ekstremt farlig.
 - Hænder værktøjet forsigtigt, da der er højtryk inde i værktøjet, som kan være farlig, hvis hårdhændet behandling (stød eller slag) forårsager revner. Forsøg ikke at snitte eller grave i værktøjet.
 - Stop øjeblikkeligt med at sømme, hvis du bemærker en fejlfunktion eller noget unormalt ved værktøjet.
 - Tag altid luftslangen ud, og fjern alle søm:
 - (9) Når værktøjet efterlades uden opsyn.
 - (10) Før du udfører vedligeholdelse eller reparation.
 - (11) Før du fjerner fastklemte søm.
 - (12) Før værktøjet transporteres til et andet sted.
 - Udfør rengøring og vedligeholdelse, umiddelbart efter at du er færdig med arbejdet. Hold værktøjet i perfekt

- stand. Smør bevægelige dele for at forebygge rust og slid som følge af friktion. Tør alt støv bort fra delene.
- Undlad at ændre værktøjet uden godkendelse fra Makita.
 - Bed Makitas autoriserede servicecentre om at udføre regelmæssigt eftersyn af værktøjet.
 - For at holde produktet SIKKERT og PÅLIDELIGT skal vedligeholdelse udføres af autoriserede Makita-servicecentre, og der skal benyttes Makita-reservedele.
 - Brug kun olie til trykluftsværktøj, der er angivet i denne brugsanvisning.
 - Slut aldrig værktøjet til en luftkompressionsledning, hvis værktøjets maksimalt tilladte tryk ikke må overstiges med 10 %. Sørg for, at det tryk, som luftkompressor-systemet leverer, ikke overskrider sømpistolens maksimalt tilladte tryk. Indstil først lufttrykket til den laveste værdi for det anbefalede tilladte tryk.
 - Forsøg ikke at holde afbryderkontakten trykket ind ved hjælp af tape eller ståltråd. Det kan afstedkomme dødsfald eller alvorlig personskade.
 - Kontrollér altid kontaktele mentet som anvist i denne brugsanvisning. Søm kan affyres utilsigtet, hvis sikkerhedsmekanismen ikke fungerer korrekt.

GEM DISSE INSTRUKTIONER.

MONTERING

Valg af kompressor (Fig. 2)

Luftkompressoren skal overholde kravene i EN60335-2-34.

Vælg en kompressor med tilstrækkeligt tryk og luftudgang til at sikre en effektiv drift. Grafen viser forholdet mellem sømfrekvens, anvendt tryk og kompressorens luftudgang. Hvis du sømmer med f.eks. en hastighed på cirka 50 gange i minuttet ved en kompression på 1,76 MPa (17,6 bar), skal der anvendes en kompressor med en luftudgang på mere end 90 liter/minut.

Der skal benyttes trykregulatorer til at begrænse lufttrykket til værktøjets nominelle tryk, hvis luftforsyningens tryk overskrider værktøjets nominelle tryk. Undladelse af dette kan medføre alvorlig personskade på operatøren eller personer i nærheden.

Valg af luftslange (Fig. 3)

Brug en luftslange der kan klare højt tryk. Anvend en luftslange, der er så tyk og så kort som muligt, for at sikre kontinuert og effektiv søm-idrivning.

FORSIGTIG:

- En for lav luftudgang fra kompressoren eller en for lang og tynd luftslinge i forhold til sømfrekvensen kan reducere værktøjets drivkapacitet.

Smøring (Fig. 4)

For at sikre maksimal ydelse skal der monteres et luftsæt (smørepip, regulator, luftfilter) så tæt på værktøjet som muligt. Juster smørenipen, så der tilføres en dråbe olie for hver 30 søm.

Hvis der ikke anvendes et luftsæt, skal du smøre værktøjet med olie til lufttrykværktøj ved at tilføje 2 (to) eller 3 (tre) dråber i lufttilslutningen. Gør dette før og efter

brugen. For at sikre korrekt smøring skal værktøjet affyres nogle gange, efter at olien til lufttryksværktøj er tilført. (Fig. 5)

FUNKTIONSBESKRIVELSE

FORSIGTIG:

- Tag altid luftslangen ud, før værktøjet justeres, eller dets funktionsevne tjekkes.

Indstilling af dybden af søm-idrivning (Fig. 6)

Drej på justeringsenheden for at justere dybden af søm-idrivning. Dybden af søm-idrivningen er størst, når justeringsenheden er drejet helt i A-retningen som vist på figuren. Dybden bliver mindre, når justeringsenheden drejes i B-retningen. Hvis søm ikke kan drives dybt nok, selv om justeringsenheden er drejet helt i A-retningen, skal du forøge lufttrykket. Hvis søm drives for dybt, selv om justeringsenheden er drejet helt i B-retningen, skal du reducere lufttrykket. Generelt vil værktøjets levetid blive forlænget, hvis værktøjet benyttes med et lavere lufttryk, og justeringsenheden er indstillet til en mindre dybde for søm-idrivning.

FORSIGTIG:

- Tag altid slangen ud, før dybden af søm-idrivningen justeres.

Krog (Fig. 7)

FORSIGTIG:

- Tag altid slangen ud af værktøjet.
- Hæng aldrig værktøjet på et højt sted eller på et potentielt ustabilt underlag.

Krogen er praktisk til midlertidig ophængning af værktøjet.

Justering af styreenheden til tagspåner (Fig. 8 & 9)

Styreenheden til tagspåner er beregnet til ensartet eksponering til tagspåner. Placer tagspånen i den ønskede position.

Drej håndtaget med uret for at frigøre justeringspladen. Placer igen værktøjet på den eksponerede tagspån sådan at kontaktele mentets projektioner trykker ned på bunden af den foregående række af tagspåner. Skyd justeringspladen op mod bunden af den eksponerede tagspån, og drej håndtaget mod uret for at låse justeringspladen.

MONTERING

FORSIGTIG:

- Tag altid luftslangen ud, før der udføres arbejde på værktøjet.

Påfyldning af sømpistol (Fig. 10)

Vælg søm, der passer til arbejdet. Tryk håndtaget til holdemekanismen ned, og åbn magasindækslet. Løft og drej båndstøttepladen, så pilen på båndstøttepladen med sømstørrelsen angivet på, peger på det tilsvarende gradinddelingstrin på magasinet. Hvis værktøjet betjenes med båndstøttepladen indstillet til det forkerte trin, kan det medføre en dårlig fremføring, eller at værktøjet giver funktionsfejl. (Fig. 11)

Placer sømbåndet over båndstøttepladen. Rul tilstrækkeligt med søm fri til at nå fremføringsgriberen. Placer det første søm i drivværkskanalen og det andet søm i fremføringsgriberen. Placer andre udrullede søm på fremføringsdelen. Luk magasindækslet, når du har kontrolleret, at sømbåndet er sat korrekt i magasinet. (Fig. 12)

Montering af luftslange (Fig. 13)

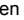

Anbring luftbøsningen på luftslangen over lufttilslutningen på sømpistolen. Sørg for, at luftbøsningen låses fast på plads, når den monteres på lufttilslutningen. Der skal være monteret en slangekobling på eller i nærheden af værktøjet på en sådan måde, at trykreservoiret forsvinder, når luftforsyningkoblingen tages ud af forbindelse.

BETJENING

FORSIGTIG:

- Sørg for, at alle sikkerhedssystemer fungerer, før anvendelsen.
- 1. For at idrive et søm skal du placere kontaktelelementet mod arbejdsemnet og aktivere afbryderkontakten eller (Fig. 14 og 15)
- 2. Aktivere afbryderkontakten først og derefter placere kontaktelelementet mod arbejdsemnet.
- Metode nr. 1 er til ikke-kontinuerlig søm-udrivning, hvor du vil idrive et søm omhyggeligt og meget nøjagtigt. Metode nr. 2 er til uafbrudt søm-udrivning.

FORSIGTIG:

- Men hvis værktøjet er indstillet til "ikke-kontinuerlig søm-udrivning", og AFBRYDERKONTAKTEN HOLDES HALVT NEDE, kan der forekomme uventet søm-udrivning, hvis kontaktelelementet kommer i kontakt med arbejdsemnet eller en anden overflade igen på grund af tilbageslaget. Gør følgende for at undgå uventet søm-udrivning:
 - A. Undlad at trykke kontaktelelementet for hårdt mod arbejdsemnet.
 - B. Træk afbryderkontakten helt tilbage, og hold den der i 1-2 sekunder efter søm-udrivningen.
- For metode nr. (1) skal skiftearmen sættes i -positionen. For metode nr. (2) skal skiftearmen sættes i -positionen. Når du har anvendt skiftearmen til at skifte søm-udrivningsmetode, skal du altid sikre dig, at skiftearmen er stillet i den rigtige position til den ønskede søm-udrivningsmetode. (Fig. 16 og 17)

VEDLIGEHOLDELSE

FORSIGTIG:

- Tag altid luftslangen ud af værktøjet, før du forsøger at udføre eftersyn eller vedligeholdelse.

Sømpistol sidder fast (Fig. 18)

FORSIGTIG:

- Frakobl altid luftslangen, og fjern sømmene fra magasinet før et stop afhjælpes.

Gør følgende, hvis sømpistolen sætter sig fast:

Åbn magasindækslet, og fjern sømbåndet. Sæt en lille metalstift eller lignende ind i udstødsporten, og bank let på den med en hammer for at skubbe afhjælp

sømstoppet fra udstødsporten. Sæt sømbåndet på plads, og luk magasindækslet.

Rengøring og fjernelse af tjære og snavs

Hvis det sætter sig tjære og snavs på området omkring kontaktelelementet, forhindres jævn bevægelse af kontaktelementet (sikkerhedsmekanisme), hvilket kan forårsage en udladning ved uheld. Rengør regelmæssigt området omkring kontaktelelementet. Brug et opløsningsmiddel såsom nr. 2 brændselsolie eller diesellole.

Nedsænk kun kontaktelementet og området omkring udstødsporten i opløsningsmidlet, og fjern tjære og snavs med en børste. Brug altid vandtætte handsker for at beskytte hænderne. Nedsænk aldrig huset, magasinet osv. i opløsningsmidler. Dette kan forårsage funktionsfejl. Bortskaf altid det anvendte opløsningsmiddel på en sikker og betryggende vis og i overensstemmelse med alle lokale og nationale bestemmelser. (Fig. 19)

Tør værktøjet af før brug. Hvis der er en oliefilm tilbage efter rengøring, kan det få ophobningen af tjære til at ske hurtigere, og værktøjet skal renses oftere. Når værktøjet er tørrt af, skal de bevægelige dele smøres med olie for at forhindre rustdannelse og sikre god smøring og betjeningsmulighed og velfungerende bevægelige dele.

ADVARSEL:

- Brug aldrig benzin eller andre meget flygtige væsker ved rengøring. Damp fra sådanne væsker kan trænge ind i værktøjet og vil kunne tændes af gnister fra sømidrivningen og dermed forårsage en eksplosion.

Tøm værktøjet

Frakobl altid slangen fra værktøjet. Placer værktøjet sådan at lufttilslutningen vender nedad mod gulvet. Tøm værktøjet så meget som muligt.

Rengøring af værktøjet

Jernstøv, der sidder fast på magneten, kan blæses af med trykluft.

Hætte

Når værktøjet ikke anvendes, skal slangen frakobles. Sæt derefter hættens lufttilslutningen. (Fig. 20)

Opbevaring

Når den ikke anvendes, bør sømpistolen opbevares på et varmt og tørt sted.

Vedligeholdelse af kompressor, luftsæt og luftslange.

(Fig. 21 & 22)

Efter brugen skal du altid tømme kompressortanken og luftfilteret ud. Hvis der trænger fugt ind i værktøjet, kan det medføre dårlig ydelse og risiko for fejlfunktion.

Kontroller regelmæssigt, om der er tilstrækkelig trykluftsolie i smørenipen på luftsættet. Forsømmelse af tilstrækkelig smøring vil bevirke, at O-ringene hurtigt nedslides. (Fig. 23)

Udsæt ikke luftslangen for varme (over 60°C) eller for kemikalier (fortynder, stærke syrer eller baser). Sørg også for at fjerne luftslangen uden om forhindringer, hvor den kan komme i klemme under brugen.

Slanger skal desuden holdes borte fra skarpe kanter og områder, der kan medføre beskadigelse eller slid på slangen. (Fig. 24)

For at holde produktet SIKKERT og PÅLIDELIGT skal reparationer samt al anden vedligeholdelse eller justering udføres af autoriserede Makita-servicecentre, og der skal altid benyttes Makita-reservedele.

TILBEHØR

FORSIGTIG:

- Dette tilbehør eller ekstraudstyr anbefales til brug med det Makita-værktøj, som er beskrevet i denne brugsanvisning. Brug af andet tilbehør eller ekstraudstyr kan forårsage personskade. Brug kun tilbehør eller ekstraudstyr til det formål, det er beregnet til.

Henvend dig til dit lokale Makita-servicecenter, hvis du har brug for hjælp eller yderligere oplysninger vedrørende tilbehøret.

- Søm
- Luftslinger
- Sikkerhedsbriller

Kun for lande i Europa

ENG046-2

Støj og Vibration

De typiske A-vægtede støjniveauer er

lydtryksniveau: 84 dB (A)

lydkraftniveau: 97 dB (A).

Usikkerhed (K): 1,5 m/s²

Bær høreværn.

Den typiske vægtede effektive accelerationsværdi er 3,0 m/s².

Disse værdier er målt i overensstemmelse med EN792.

EC-ERKLÆRING VEDRØRENDE OVERHOLDELSE AF STANDARDER

ENH013-7

Model AN450H

Vi erklærer og tager det fulde ansvar for, at produktet overholder følgende standarder i de standardiserede dokumenter:

EN792 i overensstemmelse med Rådets direktiver 98/37/EU.

CE 2008



Tomoyasu Kato
Direktør

Ansvarlig producent:

Makita Corporation

3-11-8, Sumiyoshi-cho, Anjo, Aichi, JAPAN

Autoriseret repræsentant i Europa:

Makita International Europe Ltd.

Michigan Drive, Tongwell, Milton Keynes, Bucks MK15
8JD, ENGLAND

Γενική περιγραφή

1. Γυαλιά προστασίας	10. Σανίδα	21. Υποδοχή αέρα
2. Προσωπίδα	11. Προεξοχή	22. Σκανδάλη
3. Έξοδος αέρα συμπιεστή ανά λεπτό	12. Μοχλός	23. Τεμάχιο εργασίας
4. Συχνότητα καρφώματος	13. Έλασμα ρύθμισης	24. Μοχλός αλλαγής
5. Λάδι για εργαλεία πεπιεσμένου αέρα	14. Καπάκι γεμιστήρα	25. Μικρή ράβδος
6. Ρυθμιστής	15. Μοχλός κλειδώματος	26. Θύρα εκτίναξης
7. Γάντζος	16. Πλάκα στήριξης της ταινίας	27. Καπάκι
8. Στοιχείο επαφής	17. Διαβάθμιση	28. Κρουνός αποστράγγισης
9. Οδηγός σανίδας	18. Βέλος	29. Φίλτρο αέρα
	19. Προεξοχή τροφοδοσίας	30. Λιπαντήρας
	20. Προσάρτημα αέρα	

ΠΡΟΔΙΑΓΡΑΦΕΣ

Μοντέλο	AN450H
Πίεση αέρα	1,28 - 2,26 Μπα (12,8 - 22,6 bar)
Μήκος καρφιού	19 mm - 45 mm
Χωρητικότητα καρφιών	120 τεμάχια
Ελάχιστη διάμετρος σωλήνα	5,0 mm
Λάδι για εργαλεία πεπιεσμένου αέρα	Λάδι στροβίλου
Διαστάσεις (Μ Χ Υ Χ Π)	287 mm Χ 276 mm Χ 117 mm
Καθαρό βάρος	2,2 kg

- Λόγω του συνεχόμενου προγράμματος που εφαρμόζουμε για έρευνα και ανάπτυξη, τα τεχνικά χαρακτηριστικά στο παρόν έντυπο υπόκεινται σε αλλαγή χωρίς προειδοποίηση.
- Σημείωση: Τα τεχνικά χαρακτηριστικά ενδέχεται να διαφέρουν ανάλογα με τη χώρα.

Σύμβολα

ENE106-2

Παρακάτω παρουσιάζονται τα σύμβολα που χρησιμοποιούνται για τον εξοπλισμό. Βεβαιωθείτε ότι κατανοείτε τη σημασία τους πριν από τη χρήση.



..... Διαβάστε το εγχειρίδιο οδηγιών.



..... Να φοράτε γυαλιά προστασίας.



..... Μη χρησιμοποιείτε σε σκαλωσιές ή σκάλες.

Προοριζόμενη χρήση

ENE059-1

Το εργαλείο προορίζεται για προκαταρκτικές εργασίες σε εσωτερικούς χώρους όπως για τη στερέωση ενώσεων στο πάτωμα ή για κοινές εργασίες σε δοκούς στέγης και σκελετούς με 5 χιλ περίβλημα.

ΣΗΜΑΝΤΙΚΕΣ ΟΔΗΓΙΕΣ ΑΣΦΑΛΕΙΑΣ

ENE109-2

ΣΗΜΑΝΤΙΚΕΣ ΟΔΗΓΙΕΣ ΑΣΦΑΛΕΙΑΣ: ΟΤΑΝ ΧΡΗΣΙΜΟΠΟΙΕΙΤΕ ΑΥΤΟ ΤΟ ΕΡΓΑΛΕΙΟ, ΠΑΝΤΟΤΕ ΠΡΕΠΕΙ ΝΑ ΑΚΟΛΟΥΘΕΙΤΕ ΟΛΕΣ ΤΙΣ ΒΑΣΙΚΕΣ ΠΡΟΦΥΛΑΞΕΙΣ ΓΙΑ ΤΗΝ ΑΣΦΑΛΕΙΑ ΓΙΑ ΝΑ ΜΕΙΩΣΕΤΕ ΤΟΝ ΚΙΝΔΥΝΟ ΠΡΟΣΩΠΙΚΟΥ ΤΡΑΥΜΑΤΙΣΜΟΥ, ΣΥΜΠΕΡΙΛΑΜΒΑΝΟΜΕΝΩΝ ΤΩΝ ΠΑΡΑΚΑΤΩ:

ΔΙΑΒΑΣΤΕ ΟΛΕΣ ΤΙΣ ΟΔΗΓΙΕΣ.

- Για την προσωπική ασφάλεια και τη σωστή λειτουργία και συντήρηση του εργαλείου, διαβάστε αυτό το εγχειρίδιο οδηγιών πριν χρησιμοποιήσετε το εργαλείο.
- Να φοράτε πάντοτε γυαλιά προστασίας για να προστατευτείτε τα μάτια σας από τραυματισμό λόγω σκόνης ή καρφιών.

ΠΡΟΕΙΔΟΠΟΙΗΣΗ:

Ο εργοδότης έχει την ευθύνη να επιβάλλει τη χρήση προστατευτικού εξοπλισμού για τα μάτια από τους χειριστές του εργαλείου και τα άλλα άτομα που βρίσκονται στην άμεση περιοχή εργασίας.

- Μόνο για την Αυστραλία και τη Νέα Ζηλανδία. Να φοράτε πάντοτε γυαλιά προστασίας και προσωπίδα για να προστατευτείτε τα μάτια σας από τραυματισμό λόγω σκόνης ή καρφιών. Τα γυαλιά προστασίας και η προσωπίδα θα πρέπει να συμμορφώνονται με τις απαιτήσεις AS/NZS 1336.

ΠΡΟΕΙΔΟΠΟΙΗΣΗ:

Ο εργοδότης έχει την ευθύνη να επιβάλλει τη χρήση προστατευτικού εξοπλισμού για τα μάτια από τους χειριστές του εργαλείου και τα άλλα άτομα που βρίσκονται στην άμεση περιοχή εργασίας. **(Εικ. 1)**

- Να φοράτε ωτοασπίδες για να προστατευτείτε τα αυτιά σας από το θόρυβο της εξάτμισης, καθώς και προστατευτικό κεφαλής. Επίσης, να φοράτε ελαφρά, αλλά όχι φαρδιά ρούχα. Τα μανίκια πρέπει να είναι κουμπωμένα ή ανεβασμένα. Δεν πρέπει να φοράτε γραβάτα.
- Είναι επικίνδυνο να εργάζεστε με βιασύνη ή να ασκείτε δύναμη στο εργαλείο. Να χειρίζεστε το εργαλείο

- προσεχτικά. Μη θέτετε το εργαλείο σε λειτουργία όταν βρίσκεστε υπό την επήρεια αλκοόλ, φαρμάκων ή παρόμοιων ουσιών.
- Γενικές Οδηγίες Για Το Χειρισμό Του Εργαλείου:
 - (1) Να θεωρείτε πάντοτε ότι το εργαλείο περιέχει καρφία.
 - (2) Μη στρέψετε το εργαλείο προς το μέρος σας ή προς οποιονδήποτε άλλον, ανεξάρτητα αν περιέχει καρφία ή όχι.
 - (3) Μην ενεργοποιείτε το εργαλείο εκτός αν βρίσκεται τοποθετημένο σταθερά επάνω στο τεμάχιο εργασίας.
 - (4) Να παίρνετε το εργαλείο στα σοβαρά κατά την εκτέλεση της εργασίας.
 - (5) Μην αστειεύεστε με το εργαλείο.
 - (6) Μην κρατάτε και μη μεταφέρετε το εργαλείο με το δάκτυλό σας στη σκανδάλη.
 - (7) Μη γεμίζετε το εργαλείο με καρφία όταν είναι ενεργοποιημένο κάποιο από τα χειριστήρια λειτουργίας.
 - (8) Μη θέτετε το εργαλείο σε λειτουργία με οποιαδήποτε πηγή ενέργειας εκτός από εκείνη που καθορίζεται στις οδηγίες λειτουργίας/ασφάλειας του εργαλείου.
 - Μη χρησιμοποιείτε κάποιο εργαλείο που δεν λειτουργεί σωστά.
 - Μερικές φορές πετάνονται σπινθήρες κατά τη χρήση του εργαλείου. Μη χρησιμοποιείτε το εργαλείο κοντά σε πηκτικά, εύφλεκτα υλικά όπως βενζίνη, νέφτι, μπιγιά, γκάζι, κόλλα, κλπ. Θα αναφλεγούν και θα εκραγούν με αποτέλεσμα το σοβαρό τραυματισμό.
 - Η περιοχή πρέπει να είναι επαρκώς φωτισμένη για να υπάρχει ασφάλεια στην εργασία. Η περιοχή πρέπει να είναι καθαρή και χωρίς απορρίμματα. Να είστε ιδιαίτερα προσεχτικοί και να στέκεστε σταθερά και ισορροπημένα.
 - Μόνο οι εργαζόμενοι πρέπει να βρίσκονται στην περιοχή εργασίας. Ιδιαίτερα τα παιδιά ποτέ δεν πρέπει να πλησιάζουν.
 - Ενδεχομένως να υπάρχουν τοπικοί κανονισμοί που αφορούν το θόρυβο και στους οποίους πρέπει να συμμορφώνεστε διατηρώντας τη στάθμη θορύβου εντός των προδιαγραφόμενων ορίων. Σε ειδικές περιπτώσεις πρέπει να χρησιμοποιούνται παραπετάσματα για τον περιορισμό του θορύβου.
 - Μην παίζετε με το στοιχείο επαφής: Αυτό εμποδίζει την ταχεία εκφόρτωση, για το λόγο αυτό πρέπει να παραμένει πάντοτε στη θέση του και να μην αφαιρείται. Είναι επίσης πολύ επικίνδυνο να ασφαλίσετε τη σκανδάλη στην ανοικτή θέση (ON). Ποτέ μην επικεντρώσετε να ασφαλίσετε τη σκανδάλη. Μη θέσετε το εργαλείο σε λειτουργία αν οποιοδήποτε τμήμα των χειριστηρίων λειτουργίας είναι χαλασμένο, απουσιάζει, τροποποιημένο ή δεν λειτουργεί σωστά.
 - Να θέτετε το εργαλείο σε λειτουργία εντός των καθορισμένων ορίων πίεσης αέρα των 0,98 - 2,26 MPa (9,8 - 22,6 bar) για ασφάλεια και μακρύτερη ζωή του εργαλείου. Μην υπερβαίνετε τη συνιστώμενη μέγιστη πίεση λειτουργίας των 2,26 MPa (22,6 bar). Το εργαλείο δεν πρέπει να συνδέεται σε πηγή της οποίας η πίεση πιθανόν να υπερβαίνει τα 3,39 MPa (33,9 bar).
 - Βεβαιωθείτε ότι η παρεχόμενη πίεση από το σύστημα πεπιεσμένου αέρα δεν υπερβαίνει τη μέγιστη επιτρεπόμενη πίεση του καρφωτικού εργαλείου. Ρυθμίστε αρχικά την πίεση αέρα στη χαμηλότερη τιμή της συνιστώμενης επιτρεπόμενης πίεσης (βλ. ΠΡΟΔΙΑΓΡΑΦΕΣ).
 - Μη χρησιμοποιείτε ποτέ το εργαλείο με ο,τιδήποτε άλλο εκτός από πεπιεσμένο αέρα. Αν χρησιμοποιηθεί εμφιαλωμένο αέριο (διοξείδιο άνθρακα, οξυγόνο, άζωτο, υδρογόνο, αέρα, κτλ.) ή εύφλεκτο αέριο (υδρογόνο, προπάνιο, ακετυλένιο, κτλ.) ως πηγή ενέργειας για το εργαλείο αυτό, το εργαλείο θα εκραγεί και θα προκληθεί σοβαρός τραυματισμός.
 - Πριν από τη λειτουργία, να ελέγχετε πάντοτε τη γενική κατάσταση του εργαλείου, αλλά και αν οι βίδες είναι χαλαρές. Σφίξτε όπως απαιτείται.
 - Βεβαιωθείτε ότι όλα τα συστήματα ασφάλειας βρίσκονται σε καλή κατάσταση πριν από τη λειτουργία. Το εργαλείο δεν πρέπει να λειτουργεί αν πιεστεί μόνο η σκανδάλη ή αν πατηθεί μόνο ο βραχίονας επαφής επάνω στο ξύλο. Πρέπει να λειτουργεί μόνο όταν εκτελούνται και οι δύο ενέργειες. Δοκιμάστε για πιθανή ελαττωματική λειτουργία όταν το εργαλείο δεν είναι γεμάτο με καρφία και ο ωθητής βρίσκεται στην πλήρη τρυβνημένη θέση.
 - Να ελέγχετε προσεχτικά τους τοίχους, τις οροφές, τα πατώματα, τις στέγες και παρόμοιες κατασκευές για να αποφεύγετε την πιθανή ηλεκτροπληξία, διαρροή αερίου, εκρήξεις, κτλ. που προκαλούνται από κτυπήματα ηλεκτροφόρων καλωδίων, αγωγών ή σωλήνων αερίων.
 - Να χρησιμοποιείτε μόνο καρφία που καθορίζονται στο εγχειρίδιο αυτό. Αν χρησιμοποιήσετε άλλα καρφία, μπορεί να προκληθεί δυσλειτουργία του εργαλείου.
 - Ποτέ μη χρησιμοποιήσετε καρφωτικά εργαλεία που φέρουν την ένδειξη «Μη χρησιμοποιείτε σε σκαλωσιές, σκάλες, κτλ.» για ειδικές εφαρμογές όπως για παράδειγμα:
 - κατά την αλλαγή από μια τοποθεσία καρφώματος σε μια άλλη χρησιμοποιούνται σκαλωσιές, σκαλοπάτια, σκάλες ή άλλες παρόμοιες κατασκευές, π.χ. σανίδες σκεπών,
 - κατά το κλείσιμο κιβωτίων ή τελάρων,
 - κατά την εφαρμογή συστημάτων ασφάλειας μεταφορών π.χ. σε οχήματα και βαγόνια.
 - Μην επιτρέπετε σε ανεπίδικευτα άτομα να χρησιμοποιούν το εργαλείο.
 - Να βεβαιώνετε ότι δεν βρίσκεται κανένας κοντά πριν από το κάρφωμα. Ποτέ μην επιχειρήσετε να καρφώσετε ταυτόχρονα και από μέσα και απ' έξω. Τα καρφία μπορεί να διαπεράσουν το μέσο ή/και να εκτιναχθούν, γεγονός που προκαλεί σοβαρό κίνδυνο.
 - Να προσέχετε ώστε να στέκεστε καλά και να διατηρείτε την ισορροπία σας όταν χρησιμοποιείτε το εργαλείο. Να βεβαιώνετε ότι δεν υπάρχει κανείς από κάτω όταν εργάζεστε σε υψηλές τοποθεσίες και να ασφαλίστε τον εύκαμπτο σωλήνα αέρα για να αποφεύγετε τον κίνδυνο σε περίπτωση που συμβεί απότομο τίνγμα ή πιάσιμο.
 - Σε σκεπές και άλλες υψηλές τοποθεσίες, να καρφώνετε καθώς κινείστε προς τα μπροστά. Είναι εύκολο να χάσετε την ισορροπία σας αν καρφώνετε καθώς κινείστε προς τα πίσω. Όταν καρφώνετε σε κατακόρυφη επιφάνεια, να καρφώνετε από την κορυφή προς τα κάτω. Με τον τρόπο αυτό, μπορείτε να εκτελείτε εργασίες καρφώματος με λιγότερη κόπωση.

- Αν από λάθος καρφώσετε ένα καρφί επάνω σε ένα άλλο ή χτυπήσετε ρόζο στο ξύλο, το καρφί θα στραβώσει ή το εργαλείο θα πάθει εμπλοκή. Το καρφί μπορεί να εκτιναχθεί και να χτυπήσει κάποιον ή το ίδιο το εργαλείο μπορεί να αντιδράσει επικίνδυνα. Τοποθετήστε τα καρφιά με προσοχή.
- Μην αφήνετε το φορτωμένο εργαλείο ή τον συμπιεστή αέρα υπό πίεση για μεγάλο χρονικό διάστημα έξω στον ήλιο. Να βεβαιώνετε ότι δεν εισέρχονται στο εργαλείο σκόνη, άμμος, τεμαχίδια ή ξένη ύλη στη θέση όπου το αφήνετε.
- Μη στρέψετε τη θύρα εκκίνησης προς οποιοδήποτε άτομο βρίσκεται κοντά. Να κρατάτε τα χέρια και τα πόδια σας μακριά από την περιοχή της θύρας εκκίνησης.
- Όταν είναι συνδεδεμένος ο σωλήνας αέρα, μη μεταφέρετε το εργαλείο και μην το δίνετε σε κάποιον άλλον ενώ το δάκτυλό σας βρίσκεται στη σκανδάλη. Η τυχαία εκपुरσοκρότηση μπορεί να είναι εξαιρετικά επικίνδυνη.
- Να χειρίζεστε το εργαλείο προσεχτικά, επειδή υπάρχει υψηλή πίεση στο εσωτερικό του, που μπορεί να είναι επικίνδυνη αν προκληθεί ρωγμή από απρόσχετο χειρισμό (πτώση ή χτύπημα). Μην προσπαθήσετε να κάνετε χαρακίες ή αυλακώσεις στο εργαλείο.
- Να σταματάτε αμέσως τις λειτουργίες καρφώματος αν παρατηρήσετε ότι κάτι δεν πάει καλά ή κάτι είναι ασυνήθιστο για το εργαλείο.
- Να αποσυνδέετε πάντοτε τον εύκαμπτο σωλήνα αέρα και να αφαιρείτε όλα τα καρφιά:
 - (9) Όταν δεν προσέχει κανείς το εργαλείο.
 - (10) Πριν εκτελέσετε οποιαδήποτε εργασία συντήρησης ή επισκευής.
 - (11) Πριν αποκαταστήσετε κάποια εμπλοκή.
 - (12) Πριν μετακινήσετε το εργαλείο σε νέα τοποθεσία.
- Να εκτελείτε καθαρισμό και συντήρηση του εργαλείου αμέσως μόλις ολοκληρώσετε την εργασία. Να διατηρείτε το εργαλείο σε άριστη κατάσταση. Να λιπαίνετε τα κινούμενα μέρη για να αποφεύγετε την οξειδωση (σκουρίασμα) και να ελαχιστοποιείτε τη φθορά από την τριβή. Σκουπίστε όλη τη σκόνη από τα μέρη του εργαλείου.
- Μην τροποποιείτε το εργαλείο χωρίς την έγκριση από τη Makita.
- Απευθυνθείτε στα εξουσιοδοτημένα κέντρα εξυπηρέτησης της Makita για τους περιοδικούς ελέγχους του εργαλείου.
- Για να διατηρείται η ΑΣΦΑΛΕΙΑ και η ΑΞΙΟΠΙΣΤΙΑ του προϊόντος, οι εργασίες συντήρησης και επισκευής θα πρέπει να εκτελούνται σε εξουσιοδοτημένα κέντρα εξυπηρέτησης της Makita, και πάντοτε με τη χρήση ανταλλακτικών της Makita.
- Να χρησιμοποιείτε μόνο λάδι για εργαλεία πεπιεσμένου αέρα που καθορίζεται στο εγχειρίδιο αυτό.
- Μη συνδέετε ποτέ το εργαλείο σε γραμμή πεπιεσμένου αέρα σε περιπτώσεις που η μέγιστη επιτρεπόμενη πίεση του εργαλείου ξεπεραστεί κατά 10 %. Βεβαιωθείτε ότι η παρεχόμενη πίεση από το σύστημα πεπιεσμένου αέρα δεν υπερβαίνει τη μέγιστη επιτρεπόμενη πίεση του καρφωτικού εργαλείου. Αρχικά ρυθμίστε την πίεση του αέρα στη χαμηλότερη τιμή της επιτρεπόμενης πίεσης που συνιστάται.

- Μην προσπαθήσετε να κρατήσετε το στοιχείο επαφής της σκανδάλης πιεσμένο με τα χέρια ή το σώμα. Μπορεί να προκληθεί θάνατος ή σοβαρός τραυματισμός.
- Να ελέγχετε πάντα το στοιχείο επαφής σύμφωνα με τις οδηγίες στο παρόν εγχειρίδιο. Μπορεί να καθοδηγηθούν κατά λάθος καρφιά εάν δεν λειτουργεί σωστά ο μηχανισμός ασφάλειας.

ΦΥΛΑΞΤΕ ΑΥΤΕΣ ΤΙΣ ΟΔΗΓΙΕΣ.

ΤΟΠΟΘΕΤΗΣΗ

Επιλογή συμπιεστή (Εικ. 2)

Ο συμπιεστής αέρα θα πρέπει να είναι εναρμονισμένος με τις απαιτήσεις της EN60335-2-34.

Επιλέξτε συμπιεστή που διαθέτει επαρκή πίεση και έξοδο αέρα ώστε να εξασφαλίζεται η οικονομική λειτουργία. Η γραφική παράσταση απεικονίζει τη σχέση μεταξύ της συχνότητας καρφώματος, της ασκούμενης πίεσης και της εξόδου αέρα του συμπιεστή.

Συνεπώς, για παράδειγμα, αν το κάρφωμα λαμβάνει χώρα με ρυθμό περίπου 50 φορές το λεπτό με συμπίεση 1,76 MPa (17,6 bar), απαιτείται συμπιεστής με έξοδο αέρα υψηλότερη των 90 liters/min.

Πρέπει να χρησιμοποιούνται ρυθμιστές πίεσης για να περιορίζουν την πίεση αέρα στην ονομαστική πίεση του εργαλείου σε περίπτωση που η πίεση παροχής αέρα υπερβαίνει την ονομαστική πίεση του εργαλείου. Αν δεν τηρηθεί αυτή η οδηγία, μπορεί να προκληθεί σοβαρός τραυματισμός στον χειριστή του εργαλείου ή σε άτομα που βρίσκονται κοντά στην περιοχή εργασίας.

Επιλογή εύκαμπτου σωλήνα αέρα (Εικ. 3)

Χρησιμοποιήστε έναν εύκαμπτο σωλήνα αέρα που να αντέχει στις υψηλές πιέσεις.

Να χρησιμοποιείτε ένα εύκαμπτο σωλήνα αέρα όσο το δυνατόν πιο φαρδύ και όσο το δυνατόν πιο κοντό για να εξασφαλίζετε συνεχή, επαρκή λειτουργία καρφώματος.

ΠΡΟΣΟΧΗ:

- Η χαμηλή έξοδος αέρα του συμπιεστή ή ο εύκαμπτος σωλήνας αέρα με μεγαλύτερο μήκος ή μικρότερη διάμετρο σε σχέση με τη συχνότητα καρφώματος μπορεί να προκαλέσει μείωση της ικανότητας καρφώματος του εργαλείου.

Λίπανση (Εικ. 4)

Για να εξασφαλίζετε τη μέγιστη απόδοση, τοποθετήστε ένα σετ αέρα (λιπαντήρας, ρυθμιστής, φίλτρο αέρα) όσο το δυνατόν πιο κοντά στο εργαλείο. Ρυθμίστε το λιπαντήρα έτσι ώστε να παρέχει μία σταγόνα λαδιού κάθε 30 καρφιά.

Όταν δεν χρησιμοποιείται σετ αέρα, να λιπαίνετε το εργαλείο με λάδι για εργαλεία πεπιεσμένου αέρα τοποθετώντας 2 (δύο) ή 3 (τρεις) σταγόνες στο προσάρτημα αέρα. Αυτό πρέπει να πραγματοποιείται πριν και μετά από τη χρήση. Για τη σωστή λίπανση, πρέπει να εκपुरσοκροτείτε το εργαλείο δύο-τρεις φορές μετά από την εισαγωγή του λαδιού για εργαλεία πεπιεσμένου αέρα. (Εικ. 5)

ΠΕΡΙΓΡΑΦΗ ΛΕΙΤΟΥΡΓΙΑΣ

ΠΡΟΣΟΧΗ:

- Να αποσυνδέετε πάντοτε τον εύκαμπτο σωλήνα του αέρα πριν ρυθμίζετε ή ελέγχετε τη λειτουργία του εργαλείου.

Ρύθμιση του βάθους καρφώματος (Εικ. 6)

Για να ρυθμίσετε το βάθος καρφώματος, περιστρέψτε το ρυθμιστή. Το βάθος καρφώματος είναι το μέγιστο όταν ο ρυθμιστής έχει περιστραφεί εντελώς προς την κατεύθυνση Α που απεικονίζεται στην εικόνα. Θα γίνεται μικρότερο καθώς περιστρέφετε το ρυθμιστή στην κατεύθυνση Β. Αν δεν είναι δυνατό να καρφωθούν τα καρφιά αρκετά βαθιά ακόμη και όταν ο ρυθμιστής έχει περιστραφεί εντελώς προς την κατεύθυνση Α, αυξήστε την πίεση αέρα. Αν τα καρφιά καρφώνονται πολύ βαθιά ακόμη και όταν ο ρυθμιστής έχει περιστραφεί εντελώς προς την κατεύθυνση Β, μειώστε την πίεση αέρα. Γενικά, η ωφέλιμη ζωή του εργαλείου θα είναι μεγαλύτερη όταν χρησιμοποιείτε το εργαλείο με χαμηλότερη πίεση αέρα και καθορίζετε το ρυθμιστή σε μικρότερο βάθος καρφώματος.

ΠΡΟΣΟΧΗ:

- Να αποσυνδέετε πάντοτε τον εύκαμπτο σωλήνα πριν ρυθμίζετε το βάθος καρφώματος.

Γάντζος (Εικ. 7)

ΠΡΟΣΟΧΗ:

- Να αποσυνδέετε πάντοτε τον εύκαμπτο σωλήνα από το εργαλείο.
- Μην κρεμάτε ποτέ το εργαλείο σε υψηλές τοποθεσίες ή σε πιθανώς ασταθείς επιφάνειες.

Ο γάντζος χρησιμεύει για το προσωρινό κρέμασμα του εργαλείου.

Ρύθμιση του οδηγού της σανίδας (Εικ. 8 & 9)

Ο οδηγός σανίδας είναι σχεδιασμένος έτσι ώστε να παρέχεται σταθερή έκθεση στη σανίδα. Τοποθετήστε τη σανίδα στην επιθυμητή θέση. Περιστρέψτε το μοχλό δεξιόστροφα για την ελευθέρωση του ελάσματος ρύθμισης. Επανατοποθετήστε το εργαλείο πάνω στην σανίδα με τις προεξοχές του σημείου επαφής να πιέζουν την προηγούμενη σειρά των σανιδιών. Ολισθήστε την ρυθμιστική πλάκα πάνω ενάντια στη βάση της σανίδας και πιέστε το μοχλό αριστερόστροφα για να ασφαλίσει το έλασμα ρύθμισης.

ΣΥΝΑΡΜΟΛΟΓΗΣΗ

ΠΡΟΣΟΧΗ:

- Να αποσυνδέετε πάντοτε τον εύκαμπτο σωλήνα του αέρα πριν εκτελέσετε οποιαδήποτε εργασία στο εργαλείο.

Φόρτωση του καρφωτικού εργαλείου (Εικ. 10)

Επιλέξτε καρφιά που είναι κατάλληλα για την εργασία σας. Πιέστε το μοχλό ασφάλισης και ανοίξτε το καπάκι του γεμιστήρα.

Ανασηκώστε και περιστρέψτε τη πλάκα στήριξης της ταινίας έτσι ώστε το βέλος με την ένδειξη του μεγέθους του καρφιού πάνω στην πλάκα στήριξης της ταινίας να

δείχνει το αντίστοιχο διάστημα διαβάθμισης που είναι σημαδευμένο πάνω στο γεμιστήρα. Αν το εργαλείο λειτουργήσει με την πλάκα στήριξης της ταινίας σε λανθασμένη διαβάθμιση, μπορεί να προκληθεί ανεπαρκής τροφοδοσία των καρφιών και δυσλειτουργία του εργαλείου. (Εικ. 11)

Τοποθετήστε την ταινία των καρφιών πάνω στην πλάκα στήριξης της ταινίας. Ξετυλίξτε αρκετά καρφιά έτσι ώστε να φτάσετε την προεξοχή τροφοδοσίας. Τοποθετήστε το πρώτο καρφί στο κανάλι μετάδοσης κίνησης και το δεύτερο στην προεξοχή τροφοδοσίας. Τοποθετήστε τα άλλα ξετυλιγμένα καρφιά στο τροφοδοτικό στοιχείο. Κλείστε το καπάκι του γεμιστήρα αφού ελέγξετε ότι η ταινία των καρφιών είναι κατάλληλα τοποθετημένη μέσα στο γεμιστήρα. (Εικ. 12)

Σύνδεση του εύκαμπτου σωλήνα αέρα (Εικ. 13)

Σύρατε την υποδοχή αέρα του εύκαμπτου σωλήνα αέρα στο προσάρτημα αέρα στο καρφωτικό εργαλείο. Βεβαιωθείτε ότι η υποδοχή αέρα κλειδώνει σταθερά στη θέση της όταν την τοποθετείτε στο προσάρτημα αέρα. Πρέπει να τοποθετηθεί μια σύζευξη εύκαμπτων σωλήνων επάνω ή κοντά στο εργαλείο με τρόπο ώστε να εκτονώνεται το δοχείο πίεσης τη στιγμή που αποσυνδεθεί η σύζευξη παροχής αέρα.

ΛΕΙΤΟΥΡΓΙΑ

ΠΡΟΣΟΧΗ:

- Βεβαιωθείτε ότι όλα τα συστήματα ασφάλειας βρίσκονται σε καλή κατάσταση πριν από τη λειτουργία.
1. Για να καρφώσετε ένα καρφί, μπορείτε να τοποθετήσετε το στοιχείο επαφής επάνω στο τεμάχιο εργασίας και να πιέσετε τη σκανδάλη, ή (Εικ. 14 & 15)
 2. Να πιέσετε πρώτα τη σκανδάλη και κατόπιν να τοποθετήσετε το στοιχείο επαφής επάνω στο τεμάχιο εργασίας.
- Η πρώτη μέθοδος χρησιμοποιείται για διακεκομμένο κάρφωμα, όταν επιθυμείτε να καρφώσετε ένα καρφί με προσοχή και μεγάλη ακρίβεια. Η δεύτερη μέθοδος χρησιμοποιείται για συνεχές κάρφωμα.

ΠΡΟΣΟΧΗ:

- Όμως, όταν το εργαλείο είναι ρυθμισμένο στον τρόπο λειτουργίας «διακεκομμένο κάρφωμα» ΜΕ ΤΗ ΣΚΑΝΔΑΛΗ ΚΡΑΤΗΜΕΝΗ ΣΕ ΜΙΣΟΠΙΕΣΜΕΝΗ ΘΕΣΗ, μπορεί να προκύψει ξαφνικό κάρφωμα, σε περίπτωση που το στοιχείο επαφής αφηθεί να έρθει ξανά σε επαφή με στο τεμάχιο εργασίας ή σε κάποια άλλη επιφάνεια υπό την επίδραση της οπισθοδρόμησης. Για να αποφεύγετε αυτό το ξαφνικό κάρφωμα, να πραγματοποιείτε τα εξής:
 - Α. Να μην τοποθετείτε το στοιχείο επαφής επάνω στο τεμάχιο εργασίας με υπερβολική δύναμη.
 - Β. Να πιέσετε τη σκανδάλη πλήρως και να την κρατάτε για 1-2 δευτερόλεπτα μετά από το κάρφωμα.
- Για την πρώτη μέθοδο, ρυθμίστε το μοχλό αλλαγής στη θέση $\triangleleft \leftarrow$.
Για τη δεύτερη μέθοδο, ρυθμίστε το μοχλό αλλαγής στη θέση $\triangleleft \rightleftarrows$.
Αφού χρησιμοποιήσετε το μοχλό αλλαγής για να αλλάξετε τη μέθοδο καρφώματος, να βεβαιωθείτε πάντοτε ότι ο μοχλός αλλαγής είναι σωστά

ρυθμισμένος στη θέση για την επιθυμητή μέθοδο καρφώματος. **(Εικ. 16 & 17)**

ΣΥΝΤΗΡΗΣΗ

ΠΡΟΣΟΧΗ:

- Να αποσυνδέετε πάντοτε τον εύκαμπτο σωλήνα του αέρα πριν επιχειρήσετε να εκτελέσετε έλεγχο ή συντήρηση.

Μπλοκαρισμένο καρφωτικό εργαλείο

(Εικ. 18)

ΠΡΟΣΟΧΗ:

- Να αποσυνδέετε πάντοτε τον εύκαμπτο σωλήνα αέρα και να αφαιρείτε όλα τα καρφιά από το γεμιστήρα πριν από την αποκατάσταση μιας εμπλοκής.

Όταν το καρφωτικό πιστόλι παθαίνει εμπλοκή, πραγματοποιήστε τα εξής:

Ανοίξτε το καπάκι του γεμιστήρα και αφαιρέστε την ταινία με τα καρφιά. Εισάγετε μια μικρή ράβδο ή κάτι παρόμοιο στη θύρα εκτίναξης και χτυπήστε τη ελαφρά με ένα σφυρί για να βγάλετε έξω το καρφί που κόλλησε στην θύρα εκτίναξης. Επανατοποθετήστε την ταινία των καρφιών και κλείστε το καπάκι του γεμιστήρα.

Καθαρισμός και αφαίρεση της πίσσας και της βρωμιάς

Η προσκόλληση της πίσσας και της βρωμιάς στην περιοχή γύρω από το στοιχείο επαφής θα αποτρέψει την ομαλή κίνηση του στοιχείου επαφής (μηχανισμός ασφαλείας). Προκαλώντας την τυχαία εκτυροσκόρτηση. Κατά περιόδους καθαρίστε τις περιοχές γύρω από το στοιχείο επαφής. Χρησιμοποιήστε ένα διαλύτη όπως η κηροζίνη, #2 μαζούτ ή πετρέλαιο.

Εμβάψτε στο διαλύτη μόνο το στοιχείο επαφής και τις περιοχές γύρω από τη θύρα εκτίναξης και αφαιρέστε την πίσσα και τη βρωμιά με μια βούρτσα. Πάντοτε να φοράτε αδιάβροχα γάντια για να προστατεύετε τα χέρια σας. Ποτέ να μην εμβαπτίζετε το περίβλημα, τον γεμιστήρα κ.τ.λ. στο διαλύτη. Διότι μπορεί να προκληθεί δυσλειτουργία του μηχανήματος. Πάντοτε να απορρίπτετε τον χρησιμοποιημένο διαλύτη σε ασφαλή και συνετό τρόπο σύμφωνα με τις απαιτήσεις του εθνικού και τοπικού κώδικα. **(Εικ. 19)**

Στεγνώστε το εργαλείο πριν από τη χρήση. Το οποιοδήποτε στρώμα λίπους μείνει μετά από το καθάρισμα θα επιταχύνει την συσσώρευση πίσσας, και το εργαλείο θα απαιτεί πιο συχνό καθαρισμό. Μετά το στέγνωμα του εργαλείου, λιπάρετε τα κινούμενα μέρη για την αποφυγή της σκουριάς και την διασφάλιση της καλής λίπανσης και λειτουργίας των κινούμενων μερών.

ΠΡΟΕΙΔΟΠΟΙΗΣΗ:

- Ποτέ να μην χρησιμοποιήσετε βενζίνη ή παρόμοια πολύ πτηνικά υγρά για τον καθαρισμό. Οι ατμοί από τέτοια υγρά μπορεί να εισχωρήσουν στο εργαλείο και να αναφλεγούν από τους σπινθήρες που παράγονται κατά το κάρφωμα προκαλώντας έκρηξη.

Αποστράγγιση εργαλείου

Αφαιρέστε τον εύκαμπτο σωλήνα από το εργαλείο. Τοποθετήστε το εργαλείο έτσι ώστε το προσάρτημα αέρα να βλέπει προς το πάτωμα. Αποστραγγίστε όσο το δυνατόν περισσότερο.

Καθαρισμός του εργαλείου

Η σιδηρόσκονη που κολλά πάνω στο μαγνήτη μπορεί να απομακρυνθεί με τη χρήση ενός καθαριστικού αέρος.

Καπάκι

Όταν δεν χρησιμοποιείται, αποσυνδέστε τον εύκαμπτο σωλήνα. Μετά καλύψτε το προσάρτημα αέρα με το καπάκι. **(Εικ. 20)**

Αποθήκευση

Όταν δεν χρησιμοποιείται, το καρφωτικό θα πρέπει να αποθηκεύεται σε ένα θερμό και ξηρό χώρο.

Συντήρηση του συμπιεστή, του σετ αέρα και του εύκαμπτου σωλήνα αέρα. **(Εικ. 21 & 22)**

Μετά από τη λειτουργία, να αποστραγγίζετε πάντοτε τη δεξαμενή του συμπιεστή και το φίλτρο αέρα. Αν εισέλθει υγρασία στο εργαλείο, μπορεί να έχει ως αποτέλεσμα την ανεπαρκή απόδοση και την πιθανή βλάβη του εργαλείου. Να ελέγχετε τακτικά να δείτε αν υπάρχει αρκετό λάδι για εργαλεία πετρεσιμένου αέρα στο λιπαντήρα του σετ αέρα. Αν δεν διατηρείται η επαρκής λίπανση, θα προκληθεί γρήγορη φθορά των στρογγυλών δακτυλίων. **(Εικ. 23)**

Να διατηρείτε τον εύκαμπτο σωλήνα αέρα μακριά από τη θερμότητα (θερμοκρασία υψηλότερη από 60°C, ή 140°F) και μακριά από χημικές ουσίες (διαλύτες, ισχυρά οξέα ή ισχυρές βάσεις). Επίσης, να δρομολογείτε τον εύκαμπτο σωλήνα μακριά από εμπόδια στα οποία θα μπορούσε να εμπλακεί επικίνδυνα κατά τη λειτουργία.

Οι εύκαμπτοι σωλήνες πρέπει να δρομολογούνται μακριά από αιχμηρά άκρα και περιοχές που μπορεί να οδηγήσουν σε βλάβη ή τρίψιμο του εύκαμπτου σωλήνα. **(Εικ. 24)**

Για να διατηρείται η ΑΣΦΑΛΕΙΑ και η ΑΞΙΟΠΙΣΤΙΑ του προϊόντος, οι εργασίες επισκευής, καθώς και οποιαδήποτε άλλη εργασία συντήρησης ή ρύθμισης, θα πρέπει να εκτελούνται σε εξουσιοδοτημένα κέντρα εξυπηρέτησης της Makita, και πάντοτε με τη χρήση ανταλλακτικών της Makita.

ΑΞΕΣΟΥΑΡ

ΠΡΟΣΟΧΗ:

- Συνιστάται η χρήση αυτών των αξεσουάρ ή εξαρτημάτων με το εργαλείο της Makita, όπως περιγράφεται στο παρόν εγχειρίδιο. Αν χρησιμοποιήσετε άλλα αξεσουάρ ή εξαρτήματα μπορεί να παρουσιαστεί κίνδυνος πρόκλησης τραυματισμού. Να χρησιμοποιείτε τα αξεσουάρ ή τα εξαρτήματα μόνο για το σκοπό για τον οποίο προορίζονται.

Αν χρειάζεστε κάποια βοήθεια ή περισσότερες πληροφορίες σχετικά με τα αξεσουάρ αυτά, απευθυνθείτε στο πλησιέστερο κέντρο εξυπηρέτησης της Makita.

- Καρφιά
- Εύκαμπτοι σωλήνες αέρα
- Γυαλιά προστασίας

Για ευρωπαϊκές χώρες μόνο

ENG046-2

Θόρυβος και Δόνηση

Το σύνθετο σταθμισμένο επίπεδο ηχητικής πίεσης είναι:

Επίπεδο ηχητικής πίεσης: 84 dB (A)

Επίπεδο ηχητικής ισχύος: 97 dB (A).

Αβεβαιότητα (K): $1,5 \text{ m/s}^2$

Να φοράτε ωτοασπίδες.

Η συνήθης σταθμισμένη μέση τετραγωνική ρίζα της τιμής επιτάχυνσης είναι $3,0 \text{ m/s}^2$.

Οι τιμές αυτές έχουν ληφθεί σύμφωνα με το EN792.

ΕΚ – ΔΗΛΩΣΗ ΣΥΜΜΟΡΦΩΣΗΣ

ENH013-7

Μοντέλο: AN450H

Δηλώνουμε με αποκλειστική ευθύνη μας ότι το προϊόν αυτό συμμορφώνεται με τα ακόλουθα πρότυπα των τυποποιημένων εντύπων:

EN792 σε συμφωνία με τις Οδηγίες της Επιτροπής, 98/37/ΕΚ.

CE 2008



Tomoyasu Kato
Διευθυντής

Υπεύθυνος Κατασκευαστής:

Makita Corporation

3-11-8, Sumiyoshi-cho, Anjo, Aichi, JAPAN

Εξουσιοδοτημένος Αντιπρόσωπος στην Ευρώπη:

Makita International Europe Ltd.

Michigan Drive, Tongwell, Milton Keynes, Bucks MK15
8JD, ΑΓΓΛΙΑ

Makita Corporation
Anjo, Aichi, Japan

884859A998