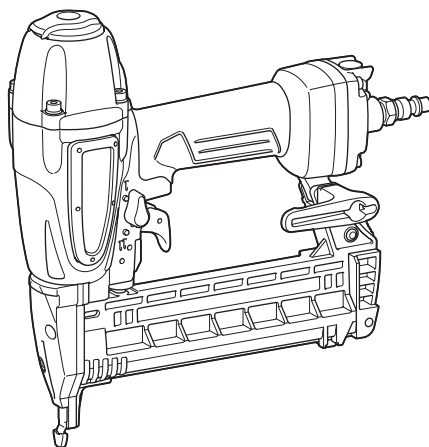


INSTRUCTION MANUAL
MANUEL D'INSTRUCTION
MANUAL DE INSTRUCCIONES



Narrow Crown Stapler
Agrafeuse pour agrafes à dos
étroit
Engrapadora de Corona
Estrecha
AT638A



IMPORTANT: Read Before Using.

IMPORTANT : Lire avant usage.

IMPORTANTE: Lea antes de usar.

SPECIFICATIONS

Model:	AT638A
Air pressure	0.49 - 0.83 MPa (70 - 120 PSIG)
Staple length	13 mm (1/2") - 38 mm (1-1/2")
Staple capacity	100 pcs.
Minimum hose diameter	6.5 mm (1/4")
Dimensions (L x W x H)	230 mm x 75 mm x 251 mm (9" x 2-15/16" x 9-7/8")
Net weight	1.2 kg (2.7 lbs)

- Due to our continuing program of research and development, the specifications herein are subject to change without notice.
- Specifications may differ from country to country.
- Weight according to EPTA-Procedure 01/2003

SAFETY WARNINGS

Important safety instructions

For personal safety and proper operation and maintenance of the tool, read this instruction manual carefully before using the tool.

WARNING: WHEN USING THIS TOOL, BASIC SAFETY PRECAUTIONS SHOULD ALWAYS BE FOLLOWED TO REDUCE THE RISK OF PERSONAL INJURY, INCLUDING THE FOLLOWING:

READ ALL INSTRUCTIONS.

Personal Protective Equipment

1. Always wear safety glasses to avoid eye injury from dust or fasteners. The safety glasses should conform with the requirements of ANSI Z87.1.

WARNING: It is an employer's responsibility to enforce the use of safety eye protection equipment by the tool operators and by other persons in the immediate working area.

2. Wear hearing protection to protect your ears against exhaust noise and head protection. Also wear light but not loose clothing. Sleeves should be buttoned or rolled up. No necktie should be worn.

Flammable Atmospheres

1. Do not operate tool in explosive atmospheres, such as in the presence of flammable liquids, gases or combustible dust.

Tool modification

1. The tool should not be modified unless authorized in the tool manual or approved in writing by the tool manufacturer.

Tool maintenance

1. Refer to the tool maintenance instructions for detailed information on the proper maintenance of a tool.

Recommended fasteners and accessories

1. Use only fasteners made or recommended by the tool manufacturer, or fasteners that perform equivalently to those recommended by the manufacturer.
2. Use only accessories made or recommended by the tool manufacturer, or accessories that perform equivalently to those recommended by the manufacturer.

Inspect tool before operating to:

1. Use only power source specified in the instruction manual.
Operate the tool within the specified air pressure on the tool label for safety and longer tool life. Do not exceed the recommended max. operating pressure. The tool should not be connected to a source whose pressure potentially exceeds 1.38 MPa (200 PSIG).
2. Never use the tool with other than compressed air. If bottled gas (carbon dioxide, oxygen, nitrogen, hydrogen, air, etc.) or combustible gas (hydrogen, propane, acetylene, etc.) is used as a power source for this tool, the tool will explode and cause serious injury.
3. Always check the tool for its overall condition and loose screws before operation. Tighten as required.
4. Make sure all safety systems are in working order before operation. The tool must not operate if only the trigger is pulled or if only the contact element is pressed against the wood. It must work only when both actions are performed. Test for possible faulty operation with fasteners unloaded and the contact element in fully pulled position.
5. Always check contact element as instructed in this manual. Fasteners may be driven accidentally if the safety mechanism is not working correctly.

Operating controls

1. Do not use a tool with missing or damaged safety warning label(s.)

2. A tool that is not in proper working order must not be used. Tags and physical segregation shall be used for control.
3. Do not remove, tamper with, or otherwise cause tool operating controls to become inoperable.
4. Do not operate tool if any portion of the tool operating controls is inoperable, disconnected, altered, or not working properly.

Tool handling

1. Only persons who have read and understand the tool operating/safety instructions should operate the tool.
2. Always assume that tool contains fasteners.
3. Do not point tool toward yourself or anyone whether it contains fasteners or not.
4. Keep bystanders and children away while operating tool.
5. Do not actuate tool unless tool is placed firmly against the workpiece.
6. Respect tool as a working implement.
7. Do not engage in horseplay.
8. Stay alert, focus on your work and use common sense when working with tools.
9. Do not use tool while tired, after having consumed drugs or alcohol, or while under the influence of medication.
10. Do not overreach. Keep proper footing and balance at all times.
11. Do not hold or carry tool with a finger on the trigger.
12. Drive fasteners into proper work surface only.
13. Do not drive fasteners into other fasteners.
14. After driving a fastener, tool may spring back (“recoil”) causing it to move away from the work surface. To reduce risk of injury always manage recoil by:
 - a) always maintaining control of tool.
 - b) allowing recoil to move tool away from work surface.
 - c) not resisting recoil such that tool will be forced back into the work surface. In “Contact Actuation Mode,” if workpiece contact is allowed to re-contact work surface before the trigger is released, an unintended discharge of a fastener will occur.
 - d) keeping face and body parts away from tool.
15. When working close to an edge of a workpiece or at steep angles use care to minimize chipping, splitting or splintering, or free flight or ricochet of fasteners, which may cause injury.
16. Keep hands and body away from fastener discharge area of tool.
17. Do not load tool with fasteners when any one of the operating controls is activated.
18. Do not operate tool with any power source other than that specified in tool operating/safety instructions.
19. Do not operate tool with any operating pressure other than that specified in tool operating/safety instructions.
20. Always select an actuation system that is appropriate to the fastener application and the training of the operator.
21. Use extra caution when driving fasteners into existing walls or other blind areas to prevent contact with hidden objects or persons on other side (e.g., wires, pipes.)
22. Do not lift, pull or lower tool by the hose.

Disconnecting tool

Disconnect tool from the power source when:

1. Not in use;
2. Performing any maintenance or repairs;
3. Clearing a jam;
4. Elevating, lowering or otherwise moving the tool to a new location;
5. Tool is outside of the operator’s supervision or control; or
6. Removing fasteners from the magazine.

Additional safety instructions

1. The area should be sufficiently illuminated to assure safe operations. The area should be clear and litter-free.
2. There may be local regulations concerning noise which must be complied with by keeping noise levels within prescribed limits. In certain cases, shutters should be used to contain noise.
3. Check walls, ceilings, floors, roofing and the like carefully to avoid possible electrical shock, gas leakage, explosions, etc. caused by striking live wires, conduits or gas pipes.
4. On rooftops and other high locations, drive fasteners as you move forward. It is easy to lose your footing if you drive fasteners while inching backward. When driving against perpendicular surface, drive fasteners from the top to the bottom. You can perform the operations with less fatigue by doing so.
5. Do not leave the loaded tool or the air compressor under pressure for a long time out in the sun. Be sure that dust, sand, chips and foreign matter will not enter the tool in the place where you leave it setting.
6. Perform cleaning and maintenance right after finishing the job. Keep the tool in tip-top condition. Lubricate moving parts to prevent rusting and minimize friction-related wear. Wipe off all dust from the parts.
7. Do not disconnect the air hose with a finger on the trigger. An unexpected driving will cause serious injury when the air hose is connected.
8. When you drop or strike the tool, check the tool damage or crack and make sure that safety systems are in working order before operation. As there is high pressure inside the tool, failure to do so will cause serious injury.
9. Ask Makita’s Authorized service centers for periodical inspection of the tool.
10. To maintain product SAFETY and RELIABILITY, maintenance and repairs should be performed by Makita Authorized or Factory Service Centers, always using Makita replacement parts.

SAVE THESE INSTRUCTIONS.

⚠ WARNING: MISUSE or failure to follow the safety rules stated in this instruction manual may cause serious personal injury.

Symbols

The followings show the symbols used for tool.



Read and understand tool labels and manual. Failure to follow warnings could result in death or serious injury.

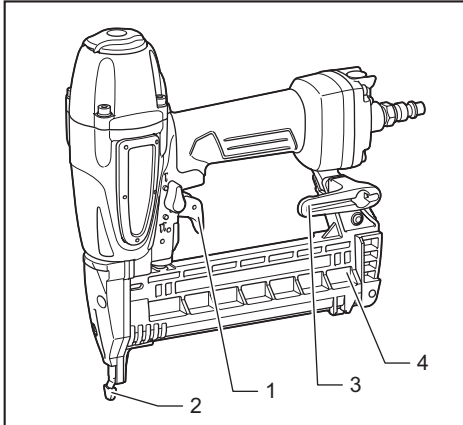


Operators and others in work area must wear safety glasses with side shields.



Keep fingers away from trigger when not driving fasteners to avoid accidental discharge.

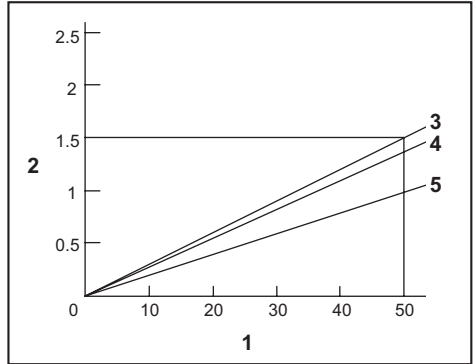
PARTS DESCRIPTION



- ▶ 1. Trigger 2. Nose adapter (contact element)
- 3. Hook 4. Magazine

INSTALLATION

Selecting compressor



1. Stapling frequency (times/min) 2. Compressor air output per minute (CFM (ft³/min.)) 3. 0.83 MPa (120 PSIG) 4. 0.66 MPa (95 PSIG) 5. 0.49 MPa (70 PSIG)

The air compressor must comply with the requirements of ANSI B19.3.

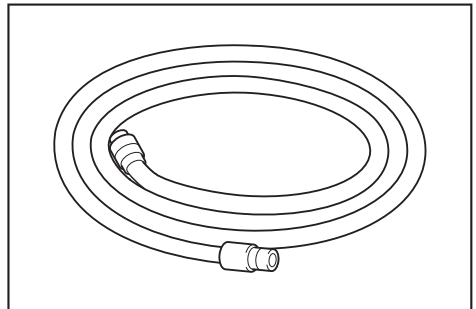
Select a compressor that has ample pressure and air output to assure cost-efficient operation. The graph shows the relation between stapling frequency, applicable pressure and compressor air output.

Thus, for example, if stapling takes place at a rate of approximately 50 times per minute at a compression of 0.83 MPa (120 PSIG), a compressor with an air output over 1.5 CFM (ft³/minute) is required.

Pressure regulators must be used to limit air pressure to the rated pressure of the tool where air supply pressure exceeds the tool's rated pressure. Failure to do so may result in serious injury to tool operator or persons in the vicinity.

Selecting air hose

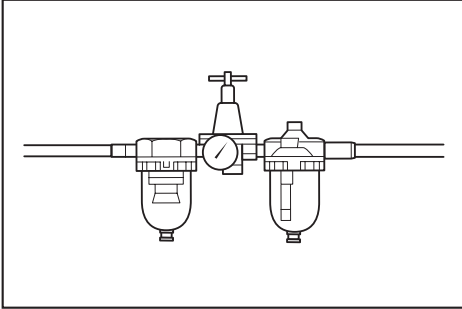
⚠ CAUTION: Low air output of the compressor, or a long or smaller diameter air hose in relation to the stapling frequency may cause a decrease in the driving capability of the tool.



Use an air hose as large and as short as possible to assure continuous, efficient stapling operation.

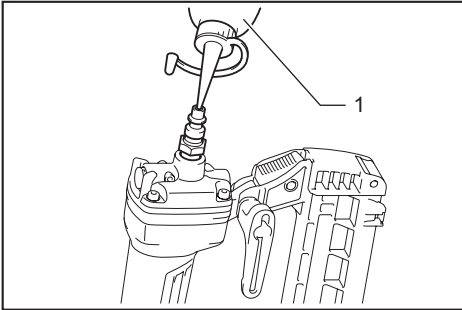
With an air pressure of 0.49 MPa (70 PSIG), an air hose with an internal diameter of over 6.5 mm (1/4") and a length of less than 20 m (6.6 ft.) is recommended when the interval between each stapling is 0.5 seconds. Air supply hoses shall have a minimum working pressure rating of 1.03 MPa (150 PSIG) or 150 percent of the maximum pressure produced in the system whichever is higher.

Lubrication



To insure maximum performance, install an air set (oiler, regulator, air filter) as close as possible to the tool. Adjust the oiler so that one drop of oil will be provided for every 50 staples.

When an air set is not used, oil the tool with pneumatic tool oil by placing 2 (two) or 3 (three) drops into the air fitting. This should be done before and after use. For proper lubrication, the tool must be fired a couple of times after pneumatic tool oil is introduced.

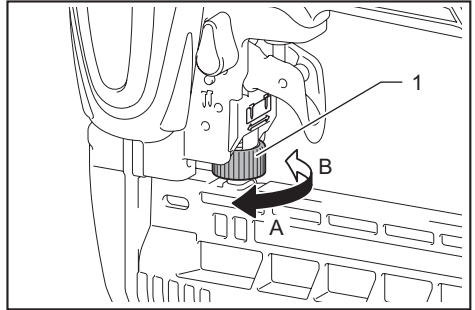


► 1. Pneumatic tool oil

FUNCTIONAL DESCRIPTION

CAUTION: Before adjusting or checking function on the tool, always return the trigger and disconnect the air hose from the tool.

Adjusting depth of stapling



► 1. Adjuster

To adjust the depth of stapling, turn the adjuster. The depth of stapling is the deepest when the adjuster is turned fully in the A direction shown in the figure. It will become shallower as the adjuster is turned in the B direction. If staples cannot be driven deep enough even when the adjuster is turned fully in the A direction, increase the air pressure.

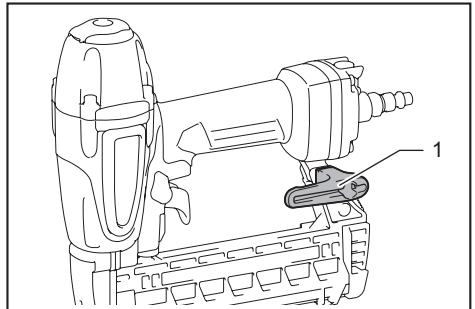
If staples are driven too deep even when the adjuster is turned fully in the B direction, decrease the air pressure.

Generally speaking, the tool service life will be longer when the tool is used with lower air pressure and the adjuster set to deeper depth of staple driving.

Hook

CAUTION: Never hook the tool at high location or on potentially unstable surface.

CAUTION: Do not hang the hook from the waist belt. If the stapler accidentally drops, it may result in misfiring and personal injuries.



► 1. Hook

The hook is convenient for hanging the tool temporarily.

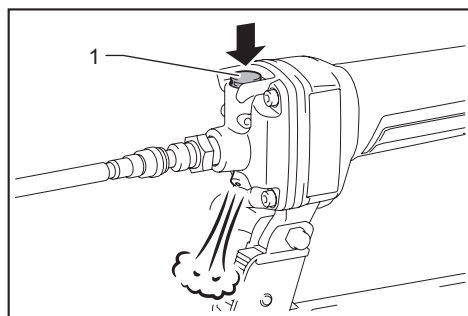
Air duster

CAUTION: Do not aim the ejection port of the air duster to someone. Also, keep your hands and foot away from the ejection port. If the air duster button is accidentally pushed, it may cause a personal injury.

CAUTION: Always check your surroundings before using the air duster. Blown dust or objects may hit someone.

CAUTION: Do not connect or disconnect the air hose while pushing the air duster button.

The air supplied to the tool can also be used as an air duster. You can clean the work area by pressing the button on the grip end.



► 1. Button

NOTICE: After using the air duster, the driving force of the tool will temporarily decline. Wait until the air pressure recovers in this case.

NOTICE: Perform a test blow if you use the air duster immediately after the oil was applied. The oil may be sprayed with the air.

ASSEMBLY

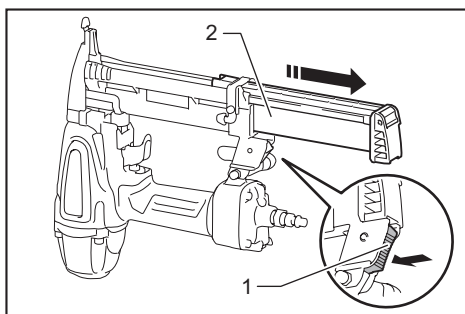
CAUTION: Before carrying out any work on the tool, always return the trigger and disconnect the air hose from the tool.

CAUTION: Load the same type, size and uniform length of staples when loading multiple strips of staples in the magazine.

Loading stapler

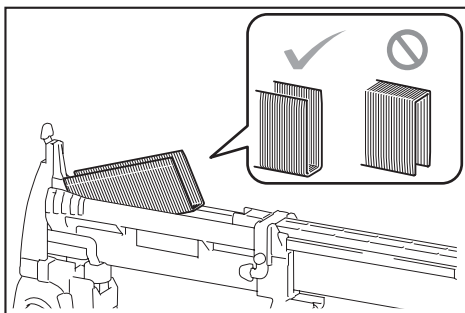
NOTE: Always hold the rear of the sliding door when you press the lever. The sliding door opens suddenly with the lever pressed when staples are stored in the magazine.

1. Press the lever and open the sliding door of the magazine.

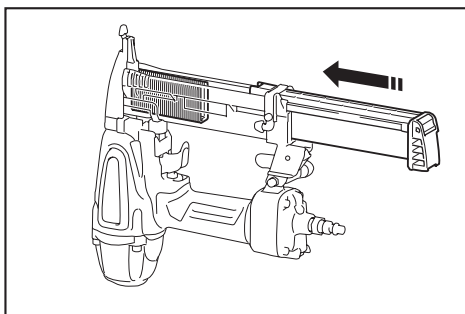


► 1. Lever 2. Sliding door

2. Insert a strip of staples into the opening of the magazine all the way.



3. Close the sliding door until the sliding door is locked.

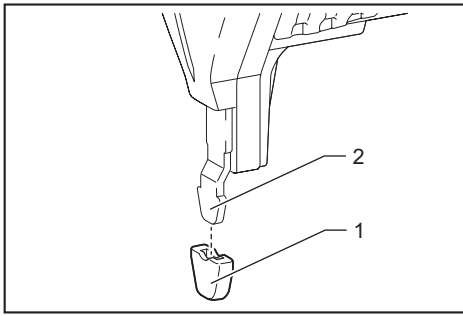


Removing staples

To remove staples, follow the procedures of “Loading stapler” in reverse.

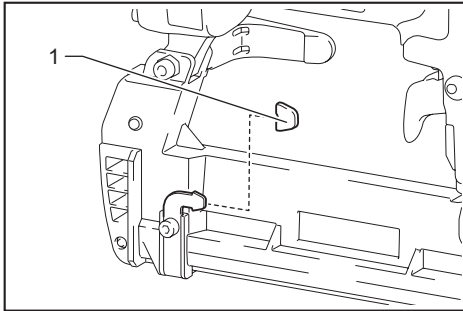
Nose adapter

To prevent the surface of workpiece from being scratched or damaged, use the nose adapter.



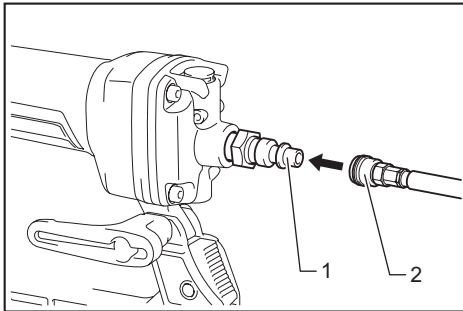
► 1. Nose adapter 2. Contact element

A spare nose adapter is stored in the place shown in the figure.



► 1. Spare nose adapter

Connecting air hose



► 1. Air fitting 2. Air socket

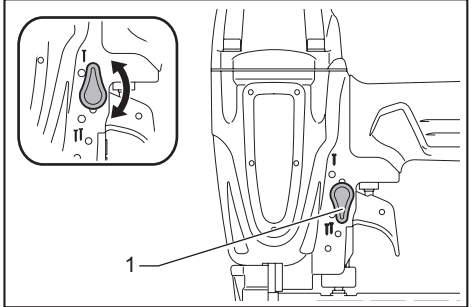
Slip the air socket of the air hose onto the air fitting on the stapler. Be sure that the air socket locks firmly into position when installed onto the air fitting. A hose coupling must be installed on or near the tool in such a way that the pressure reservoir will discharge at the time the air supply coupling is disconnected.

OPERATION

CAUTION: Make sure all safety systems are in working order before operation.

Selecting the operation mode

CAUTION: Always make sure that the actuation mode selector is properly set to the position for the desired stapling mode before stapling.



► 1. Actuation mode selector

Single sequential actuation mode:

You can drive one staple by one sequential operation. Select this mode when driving a staple carefully and accurately.

To choose this mode, set the actuation mode selector to the **I** position.

Contact actuation mode:

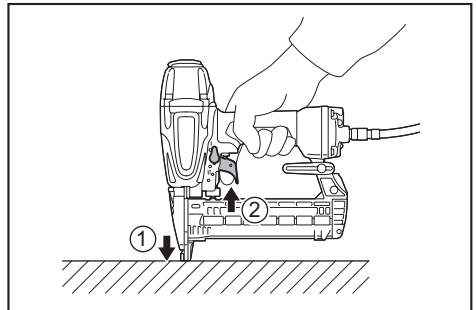
You can drive staples repetitively by placing the contact element with the trigger held.

To choose this mode, set the actuation mode selector to the **II** position.

Single sequential actuation

Place the contact element against the workpiece and pull the trigger fully.

After stapling, release the contact element, and then release the trigger.

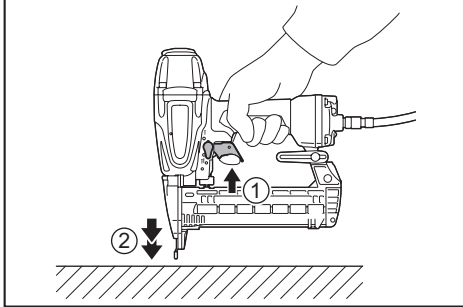


CAUTION: Do not place the contact element against the workpiece with excessive force. Also, pull the trigger fully and hold it on for 1-2 seconds after stapling.

Even in the “Single sequential actuation” mode, half-pulled trigger causes an unexpected stapling, when the contact element re-contacts the workpiece.

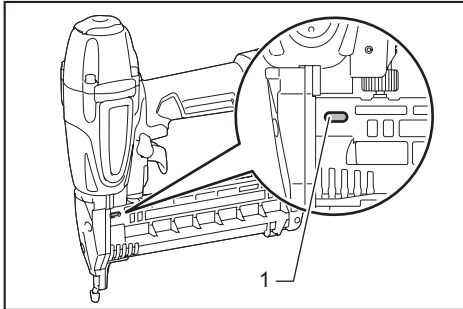
Contact actuation

Pull the trigger first and then place the contact element against the workpiece.



Empty indicator

When the remaining number of staples in the magazine becomes low, the empty indicator turns to red. Reload the staples when the empty indicator becomes red.



► 1. Empty indicator

Removing jammed staples

CAUTION: Always return the trigger and disconnect the hose before removing jammed staples.

CAUTION: Do not use deformed staples or strip of staples. Failure to do so causes poor staple feeding.

NOTE: Always hold the rear of the sliding door when you press the lever. The sliding door opens suddenly with the lever pressed when staples are stored in the magazine.

Follow the procedure of “Removing staples” to remove the strip of staples, and remove jammed staples from the staple rail.

MAINTENANCE

CAUTION: Before attempting to perform inspection or maintenance, always return the trigger and disconnect the air hose from the tool.

NOTICE: Never use gasoline, benzine, thinner, alcohol or the like. Discoloration, deformation or cracks may result.

Staples

Handle staple strips and their box carefully. If the staple strips have been handled roughly, they may be out of shape, causing poor staple feed.

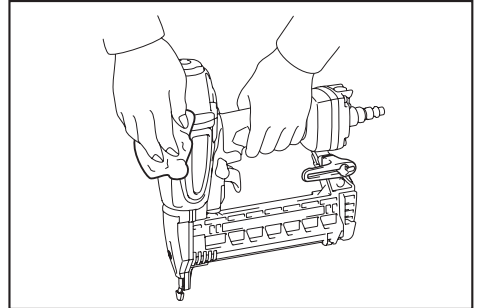
Avoid storing staples in a very humid or hot place or place exposed to direct sunlight.

Maintenance of stapler

Always check the tool for its overall condition and loose screws before operation. Tighten as required.

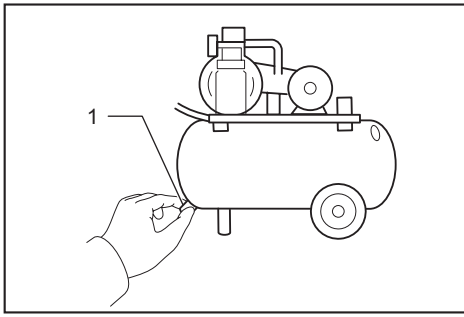
With tool disconnected, make daily inspection to assure free movement of the contact element and trigger. Do not use tool if the contact element or trigger sticks or binds.

When the tool is not to be used for an extended period of time, lubricate the tool using pneumatic tool oil and store the tool in a safe place. Avoid exposure to direct sunlight and/or humid or hot environment.

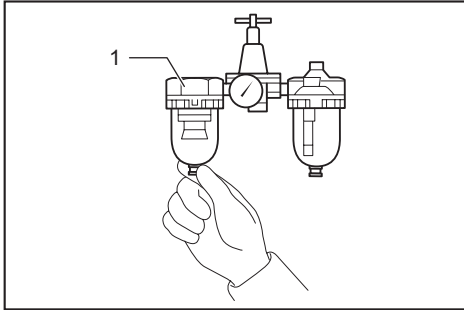


Maintenance of compressor, air set and air hose

After operation, always drain the compressor tank and the air filter. If moisture is allowed to enter the tool, it may result in poor performance and possible tool failure.

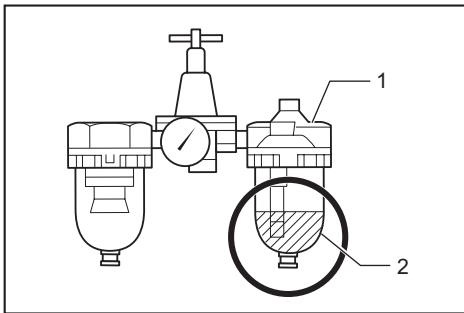


► 1. Drain cock



► 1. Air filter

Check regularly to see if there is sufficient pneumatic oil in the oiler of the air set. Failure to maintain sufficient lubrication will cause O-rings to wear quickly.



► 1. Oiler 2. Pneumatic oil

Keep the air hose away from heat (over 60°C, over 140°F), away from chemicals (thinner, strong acids or alkalis). Also, route the hose away from obstacles which it may become dangerously caught on during operation. Hoses must also be directed away from sharp edges and areas which may lead to damage or abrasion to the hose.

To maintain product SAFETY and RELIABILITY, repairs, any other maintenance or adjustment should be performed by Makita Authorized or Factory Service Centers, always using Makita replacement parts.

OPTIONAL ACCESSORIES

CAUTION: These accessories or attachments are recommended for use with your Makita tool specified in this manual. The use of any other accessories or attachments might present a risk of injury to persons. Only use accessory or attachment for its stated purpose.

If you need any assistance for more details regarding these accessories, ask your local Makita Service Center.

- Staples
- Air hose
- Safety goggles

NOTE: Some items in the list may be included in the tool package as standard accessories. They may differ from country to country.

MAKITA LIMITED ONE YEAR WARRANTY

Warranty Policy

Every Makita tool is thoroughly inspected and tested before leaving the factory. It is warranted to be free of defects from workmanship and materials for the period of ONE YEAR from the date of original purchase. Should any trouble develop during this one year period, return the COMPLETE tool, freight prepaid, to one of Makita's Factory or Authorized Service Centers. If inspection shows the trouble is caused by defective workmanship or material, Makita will repair (or at our option, replace) without charge.

This Warranty does not apply where:

- repairs have been made or attempted by others:
- repairs are required because of normal wear and tear:
- the tool has been abused, misused or improperly maintained:
- alterations have been made to the tool.

IN NO EVENT SHALL MAKITA BE LIABLE FOR ANY INDIRECT, INCIDENTAL OR CONSEQUENTIAL DAMAGES FROM THE SALE OR USE OF THE PRODUCT. THIS DISCLAIMER APPLIES BOTH DURING AND AFTER THE TERM OF THIS WARRANTY.

MAKITA DISCLAIMS LIABILITY FOR ANY IMPLIED WARRANTIES, INCLUDING IMPLIED WARRANTIES OF "MERCHANTABILITY" AND "FITNESS FOR A SPECIFIC PURPOSE," AFTER THE ONE YEAR TERM OF THIS WARRANTY.

This Warranty gives you specific legal rights, and you may also have other rights which vary from state to state. Some states do not allow the exclusion or limitation of incidental or consequential damages, so the above limitation or exclusion may not apply to you. Some states do not allow limitation on how long an implied warranty lasts, so the above limitation may not apply to you.

SPÉCIFICATIONS

Modèle :	AT638A
Pression d'air	0,49 - 0,83 MPa (70 - 120 PSIG)
Longueur d'agrafe	13 mm (1/2") - 38 mm (1-1/2")
Capacité d'agrafage	100 pièces
Diamètre minimum du tuyau	6,5 mm (1/4")
Dimensions (L x P x H)	230 mm x 75 mm x 251 mm (9" x 2-15/16" x 9-7/8")
Poids net	1,2 kg (2,7 lbs)

- Étant donné l'évolution constante de notre programme de recherche et de développement, les spécifications contenues dans ce manuel sont sujettes à modification sans préavis.
- Les spécifications peuvent varier suivant les pays.
- Poids conforme à la procédure EPTA du 01/2003

CONSIGNES DE SÉCURITÉ

Consignes de sécurité importantes

Par mesure de sécurité personnelle et pour assurer une utilisation et un entretien adéquats, veuillez lire attentivement ce manuel d'instructions avant d'utiliser l'outil.

MISE EN GARDE : PAR MESURE DE SÉCURITÉ, DES PRÉCAUTIONS DE BASE DOIVENT ÊTRE PRISES LORS DE L'UTILISATION DE CET OUTIL, AFIN DE RÉDUIRE LES RISQUES DE BLESSURE. CES PRÉCAUTIONS COMPRENNENT LES SUIVANTES :

LISEZ TOUTES LES INSTRUCTIONS.

Équipement de protection personnelle

1. Portez toujours des lunettes de sécurité pour éviter les blessures aux yeux au contact de la poussière ou des fixations. Les lunettes de sécurité doivent répondre aux exigences de la norme ANSI Z87.1.

MISE EN GARDE : L'employeur a la responsabilité d'imposer le port d'un dispositif de protection des yeux aux utilisateurs des outils et à toute personne présente dans la zone de travail.

2. Portez une protection d'oreilles pour les protéger contre le bruit d'échappement, et portez un casque de sécurité. Les vêtements portés doivent être légers et ne doivent pas être amples. Veuillez boutonner ou rouler vos manches. Ne portez pas de cravate.

Atmosphères inflammables

1. N'utilisez pas l'outil dans les atmosphères explosives, par exemple en présence de liquides inflammables, de gaz ou de poussières combustibles.

Modification de l'outil

1. L'outil ne doit être modifié que si cela est autorisé dans le manuel de l'outil ou approuvé par écrit par le fabricant de l'outil.

Entretien de l'outil

1. Reportez-vous aux instructions d'entretien de l'outil pour des informations détaillées sur l'entretien adéquat d'un outil.

Fixations et accessoires recommandés

1. Utilisez exclusivement les fixations fabriquées ou recommandées par le fabricant de l'outil, ou des fixations qui offrent un rendement équivalent à celles recommandées par le fabricant.
2. Utilisez exclusivement les accessoires fabriqués ou recommandés par le fabricant de l'outil, ou des accessoires qui offrent un rendement équivalent à ceux recommandés par le fabricant.

Inspectez l'outil avant de l'utiliser :

1. Utilisez uniquement la source d'alimentation spécifiée dans le manuel d'instructions. Utilisez l'outil sans dépasser la pression d'air spécifiée sur l'étiquette de l'outil, pour votre sécurité et pour prolonger la durée de service de l'outil. Ne dépassez pas la pression d'utilisation max. recommandée. L'outil ne doit pas être raccordé à une source dont la pression est susceptible de dépasser 1,38 MPa (200 PSIG).
2. Cet outil doit être exclusivement utilisé avec de l'air comprimé. L'utilisation d'une bouteille de gaz (dioxyde de carbone, oxygène, nitrogène, hydrogène, air, etc.) ou de gaz combustible (hydrogène, propane, acétylène, etc.) comme source d'alimentation de cet outil entraînera une explosion et risque de causer une blessure grave.
3. Avant d'utiliser l'outil, assurez-vous qu'il est en bon état et qu'aucune de ses vis n'est desserrée. Le cas échéant, serrez les vis.

4. Assurez-vous que tous les dispositifs de sécurité sont en état de fonctionner avant d'utiliser l'outil. Il ne faut pas que l'outil s'active lorsque vous appuyez uniquement sur la gâchette ou appuyez simplement l'élément de contact contre le bois. Il ne doit s'activer que lorsque ces deux actions sont exécutées. Retirez les fixations de l'outil et tirez complètement l'élément de contact pour vérifier l'absence de tout vice de fonctionnement.
5. Vérifiez toujours l'élément de contact, tel qu'indiqué dans ce manuel. Des fixations risquent d'être projetées par accident si le mécanisme de sécurité ne fonctionne pas correctement.

Commandes

1. N'utilisez pas un outil dont des étiquettes de mise en garde sont manquantes et abîmées.
2. Un outil qui n'est pas en bon état de marche ne doit pas être utilisé. Des balises et la séparation matérielle seront utilisées pour la commande.
3. Ne retirez pas, ne modifiez pas et ne rendez d'aucune façon les commandes inutilisables.
4. N'utilisez pas l'outil si toute partie des commandes de l'outil est inutilisable, déconnectée, altérée ou défectueuse.

Manipulation de l'outil

1. L'outil ne doit être utilisé que par des personnes qui ont lu et compris les instructions d'utilisation et consignes de sécurité.
 2. Supposez toujours que l'outil contient des fixations.
 3. Ne pointez pas l'outil vers vous-même ou toute autre personne, peu importe qu'il contienne ou non des fixations.
 4. Ne laissez pas approcher les curieux et les enfants pendant que vous utilisez l'outil.
 5. N'activez l'outil que s'il est fermement placé contre la pièce à travailler.
 6. Respectez l'outil en tant qu'instrument de travail.
 7. Évitez tout chahut.
 8. Restez alerte, attentif à votre travail et faites preuve de bon sens lorsque vous utilisez des outils.
 9. N'utilisez pas l'outil si vous êtes fatigué, avez consommé une drogue ou de l'alcool, ou êtes sous l'effet de médicaments.
 10. Ne vous étirez pas trop. Assurez-vous d'une bonne prise au sol et d'un bon équilibre en tout temps.
 11. Évitez de tenir ou de transporter l'outil avec un doigt sur la gâchette.
 12. Ne posez les fixations que sur une surface à travailler adéquate.
 13. Ne posez pas de fixations dans d'autres fixations.
 14. Après la pose d'une fixation, il se peut que l'effet de ressort (« recul ») de l'outil l'éloigne de la surface à travailler. Pour réduire les risques de blessure, contrôlez toujours le recul en :
 - a) gardant constamment la maîtrise de l'outil;
 - b) laissant le recul éloigner l'outil de la surface à travailler;
 - c) ne résistant pas au recul, afin de ne pas forcer le retour de l'outil sur la surface à travailler. En « Mode de commande par contact », une fixation sera libérée involontairement si vous laissez l'outil retoucher la surface à travailler avant la libération de la gâchette.
 - d) gardant le visage et autres parties du corps à l'écart de l'outil.
15. Lorsque vous travaillez près du bord d'une pièce à travailler ou sur des angles prononcés, faites-le prudemment pour réduire les risques d'écaillage, de fendillement ou d'éclatement, ou pour éviter que les fixations ne s'envolent librement ou ricochent, ce qui peut causer des blessures.
 16. Gardez les mains et le corps à l'écart de la zone de libération des fixations.
 17. Ne mettez pas de fixations dans l'outil pendant que toute commande est activée.
 18. Ne faites fonctionner l'outil avec aucune autre source d'alimentation que celle spécifiée dans les instructions d'utilisation et consignes de sécurité de l'outil.
 19. Ne faites fonctionner l'outil avec aucune autre pression d'utilisation que celle spécifiée dans les instructions d'utilisation et consignes de sécurité de l'outil.
 20. Sélectionnez toujours un système de commande qui convient à l'application de fixation et à la formation reçue par l'utilisateur.
 21. Soyez tout particulièrement prudent lorsque vous posez des fixations dans des cloisons existantes ou tout autre matériau dont l'arrière n'est pas visible, pour éviter le contact avec des objets dissimulés (p. ex., des câbles ou tuyaux) ou avec des personnes se trouvant de l'autre côté.
 22. Évitez de soulever, tirer ou abaisser l'outil par le tuyau.

Débranchement de l'outil

Débranchez l'outil de la source d'alimentation lorsque :

1. non utilisé;
2. exécution de tout entretien ou réparation;
3. nettoyage d'un blocage;
4. élévation, abaissement ou déplacement de l'outil vers un nouvel emplacement;
5. outil non surveillé ou contrôlé par l'utilisateur; ou
6. retrait des fixations du magasin.

Consignes de sécurité supplémentaires

1. La zone doit être suffisamment éclairée pour assurer un travail sécuritaire. La zone doit être dégagée et sans déchets.
2. Il se peut que des réglementations locales s'appliquent concernant les niveaux de bruit permis. Veuillez les respecter. Le cas échéant, des volets doivent être installés pour réduire le bruit.
3. Pour éviter tout risque de choc électrique, de fuite de gaz, d'explosion, etc., provoqué par le contact avec des fils dénudés, des conduites ou des tuyaux de gaz, vérifiez le mur ou le plafond, le plancher, le toit, etc.

4. Sur les toits et autres endroits élevés, posez les fixations en vous déplaçant vers l'avant. Vous risquez de perdre pied si vous posez les fixations en vous déplaçant à reculons. Lorsque vous posez des fixations sur une surface verticale, faites-le du haut vers le bas. De cette façon le travail sera moins exigeant physiquement.
5. N'abandonnez pas pour une période prolongée un outil chargé ou un compresseur d'air sous pression exposé au soleil à l'extérieur. Assurez-vous de toujours déposer l'outil en un endroit où la poussière, le sable, les copeaux et corps étrangers ne risquent pas d'y pénétrer.
6. Procédez au nettoyage et à l'entretien de l'outil une fois le travail terminé. Maintenez l'outil sous pression exposé au soleil à l'extérieur. Assurez-vous de toujours déposer l'outil en un endroit où la poussière, le sable, les copeaux et corps étrangers ne risquent pas d'y pénétrer.
7. Ne déconnectez pas le tuyau d'air avec un doigt posé sur la gâchette. Le déclenchement accidentel causerait une grave blessure au moment du raccordement du tuyau d'air.
8. Si vous échappez ou heurtez l'outil, vérifiez l'absence de dommages ou fissures, et assurez-vous que tous les dispositifs de sécurité sont en état de fonctionner avant d'utiliser l'outil. Comme la pression est élevée à l'intérieur de l'outil, la négligence de cette consigne risque de causer une blessure grave.
9. Confiez régulièrement l'outil à un centre de service après-vente agréé Makita pour une inspection.
10. Pour maintenir la SÉCURITÉ et la FIABILITÉ de l'outil, son entretien et sa réparation doivent être effectués dans un centre de service après-vente agréé ou d'usine Makita, exclusivement avec des pièces de rechange Makita.

CONSERVEZ CE MODE D'EMPLOI.

⚠ MISE EN GARDE : Une MAUVAISE UTILISATION de l'outil ou l'ignorance des consignes de sécurité du présent manuel d'instructions peuvent entraîner une grave blessure.

Symboles

Les symboles utilisés pour l'outil sont indiqués ci-dessous.



Veillez lire et comprendre les étiquettes et le manuel de l'outil. L'ignorance des mises en garde peut entraîner le décès ou une grave blessure.

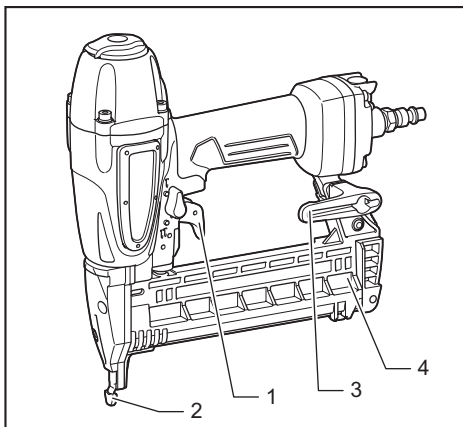


L'utilisateur et toute personne présente dans la zone de travail doivent porter des lunettes de sécurité avec protecteurs latéraux.



Gardez les doigts à l'écart de la gâchette lorsque vous ne posez pas de fixations, pour éviter la libération accidentelle de fixations.

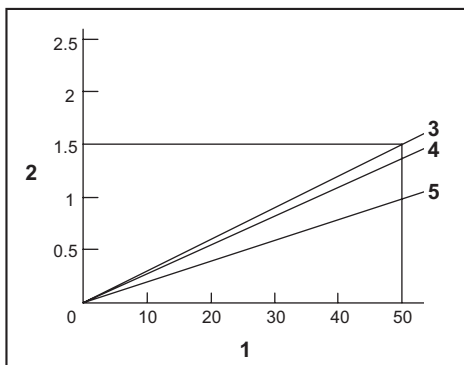
DESCRIPTION DES PIÈCES



- 1. Gâchette 2. Adaptateur de bec (élément de contact) 3. Crochet 4. Magasin

POSE

Sélection du compresseur



1. Fréquence d'agrafage (fois/min) 2. Sortie d'air du compresseur par minute (CFM) (ft^3/min) 3. 0,83 MPa (120 PSIG) 4. 0,66 MPa (95 PSIG) 5. 0,49 MPa (70 PSIG)

Le compresseur d'air doit répondre aux exigences de la norme ANSI B19.3.

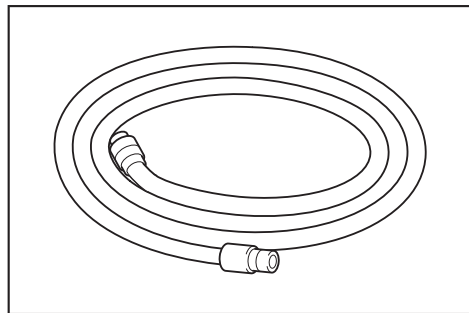
Choisissez un compresseur dont la capacité de pressurisation et de sortie d'air assurera un bon rapport qualité/coût. Le graphique indique la relation entre la fréquence d'agrafage, la pression applicable et la sortie d'air du compresseur.

Par exemple, pour agraffer environ 50 fois par minute avec une compression de 0,83 MPa (120 PSIG), il faudra un compresseur dont la sortie d'air est supérieure à 1,5 CFM (ft³/min).

Un régulateur de pression doit être utilisé pour limiter la pression d'air à la pression nominale de l'outil là où la pression d'air fournie dépasse la capacité nominale de l'outil. Autrement, l'utilisateur et les personnes présentes courent un risque de blessure grave.

Sélection du tuyau d'air

ATTENTION : La capacité d'entraînement de l'outil risque de diminuer si la sortie d'air du compresseur est faible ou si le tuyau d'air est trop long ou d'un diamètre trop petit pour la fréquence d'agrafage.

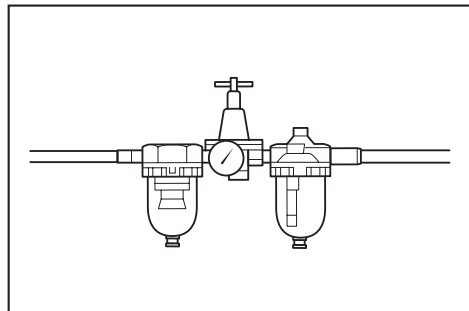


Pour assurer un travail d'agrafage continu et efficace, le tuyau d'air utilisé doit être le plus gros et le plus court possible.

Lorsque l'intervalle d'agrafage est de 0,5 seconde et la pression d'air de 0,49 MPa (70 PSIG), il est recommandé d'utiliser un tuyau d'air dont le diamètre interne est supérieur à 6,5 mm (1/4") et la longueur inférieure à 20 m (6,6 ft).

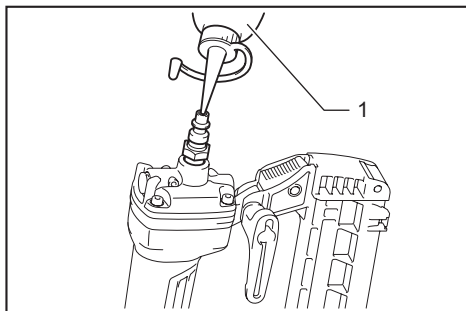
Le tuyau d'alimentation en air doit avoir une pression nominale de travail minimale de 1,03 MPa (150 PSIG) ou de 150 pour cent de la pression maximale produite, la plus élevée de ces valeurs s'appliquant.

Lubrification



Pour assurer un rendement maximal, installez un dispositif d'air (huileur, régulateur, filtre à air) le plus près possible de l'outil. Ajustez le huileur pour qu'il fournisse une goutte d'huile à toutes les 50 agrafes.

Lorsqu'un dispositif d'air n'est pas utilisé, huilez l'outil avec de l'huile pour outil pneumatique en mettant 2 (deux) ou 3 (trois) gouttes dans le raccord d'air. Cela doit être effectué avant et après l'utilisation. Pour assurer une bonne lubrification, il faut faire déclencher l'outil à quelques reprises après avoir introduit l'huile pour outil pneumatique.

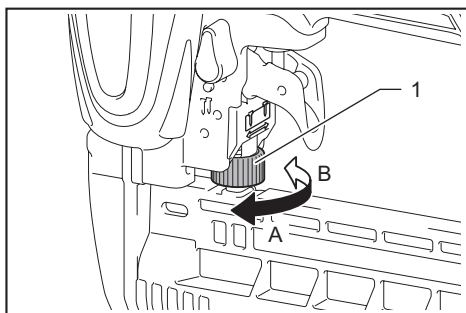


► 1. Huile pour outil pneumatique

DESCRIPTION DU FONCTIONNEMENT

ATTENTION : Avant d'ajuster ou de vérifier le fonctionnement de l'outil, ramenez toujours la gâchette et déconnectez le tuyau d'air de l'outil.

Ajustement de la profondeur d'agrafage



► 1. Régleur

Pour ajuster la profondeur d'agrafage, tournez le régleur.

L'agrafage le plus profond est obtenu lorsque le régleur est tourné complètement dans le sens A indiqué sur la figure. La profondeur diminue à mesure que le régleur est tourné dans le sens B.

Si les agrafes ne peuvent être plantées assez profondément même lorsque le régleur est tourné complètement dans le sens A, augmentez la pression d'air.

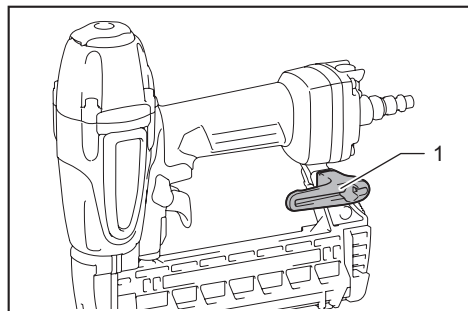
Si les agrafes sont plantées trop profondément même lorsque le régleur est tourné complètement dans le sens B, réduisez la pression d'air.

En règle générale, la durée de service de l'outil sera plus longue si l'outil est utilisé avec une pression d'air plus basse et avec le réglage sur une plus grande profondeur d'agrafage.

Crochet

⚠ ATTENTION : N'accrochez jamais l'outil dans un emplacement élevé ou sur une surface potentiellement instable.

⚠ ATTENTION : N'accrochez pas l'outil à un ceinturon. Si l'agrafeuse est échappée accidentellement, elle risque de se déclencher et de causer des blessures.



► 1. Crochet

Le crochet est pratique pour accrocher temporairement l'outil.

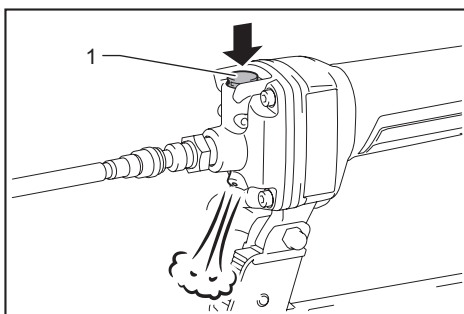
Dispositif de dé poussiérage

⚠ ATTENTION : Ne pointez vers personne la sortie d'éjection du dispositif de dé poussiérage. Gardez aussi vos mains et pieds à l'écart de la sortie d'éjection. Une pression accidentelle sur le bouton du dispositif de dé poussiérage peut entraîner une blessure.

⚠ ATTENTION : Vérifiez toujours les environs avant d'utiliser le dispositif de dé poussiérage. Les poussières ou objets soufflés peuvent frapper quelqu'un.

⚠ ATTENTION : Évitez de connecter ou déconnecter le tuyau d'air tout en appuyant sur le bouton du dispositif de dé poussiérage.

L'air fourni à l'outil peut aussi être utilisé comme dispositif de dé poussiérage. Vous pouvez nettoyer la zone de travail en appuyant sur le bouton à l'extrémité de la poignée.



► 1. Bouton

AVIS : Après l'utilisation du dispositif de dé poussiérage, la puissance d'entraînement de l'outil diminue temporairement. Le cas échéant, attendez que la pression d'air se rétablisse.

AVIS : Effectuez un essai de soufflage si vous utilisez le dispositif de dé poussiérage immédiatement après l'application d'huile. Il se peut que l'huile soit vaporisée par l'air.

ASSEMBLAGE

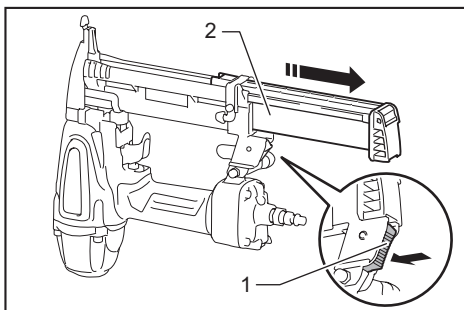
⚠ ATTENTION : Avant d'effectuer tout travail sur l'outil, ramenez toujours la gâchette et déconnectez le tuyau d'air de l'outil.

⚠ ATTENTION : Lorsque vous chargez plusieurs bandes d'agrafes dans le magasin, elles doivent être du même type, de la même taille et de longueur uniforme.

Chargement de l'agrafeuse

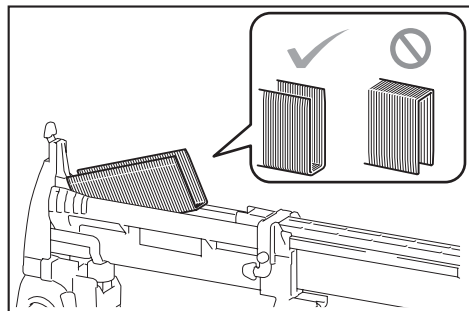
NOTE : Tenez toujours l'arrière de la porte coulissante lorsque vous appuyez sur le levier. Lorsqu'il y a des agrafes dans le magasin, la porte coulissante s'ouvre soudainement si le levier est enfoncé.

1. Appuyez sur le levier et ouvrez la porte coulissante du magasin.

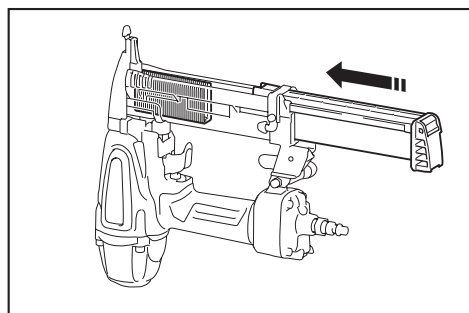


► 1. Levier 2. Porte coulissante

2. Insérez une bande d'agrafes à fond par l'ouverture du magasin.



3. Fermez la porte coulissante jusqu'à ce qu'elle se verrouille.

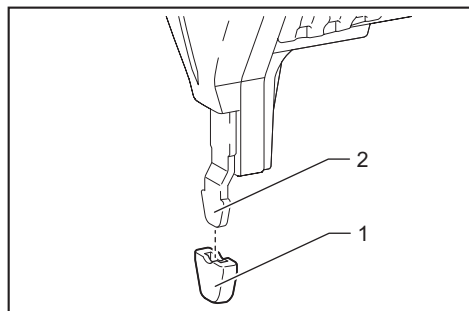


Retrait des agrafes

Pour retirer les agrafes, effectuez la procédure inverse du « Chargement de l'agrafeuse ».

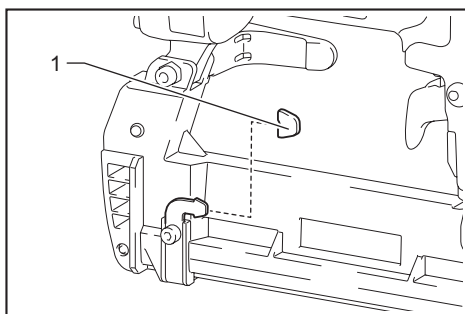
Adaptateur de bec

Pour éviter de rayer ou d'abîmer la surface de la pièce, utilisez l'adaptateur de bec.



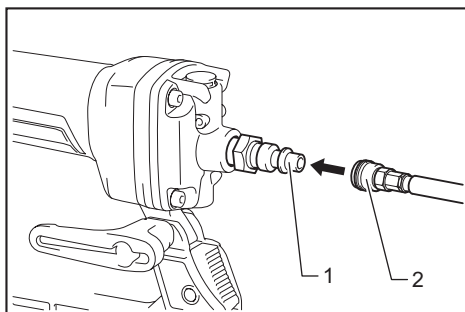
- 1. Adaptateur de bec 2. Élément de contact

Un adaptateur de bec de rechange est rangé à l'emplacement indiqué sur la figure.



- 1. Adaptateur de bec de rechange

Raccordement du tuyau d'air



- 1. Raccord d'air 2. Douille à air

Glissez la douille à air du tuyau d'air sur le raccord d'air de l'agrafeuse. Assurez-vous que la douille à air est verrouillée fermement en position lorsque vous l'installez sur le raccord d'air.

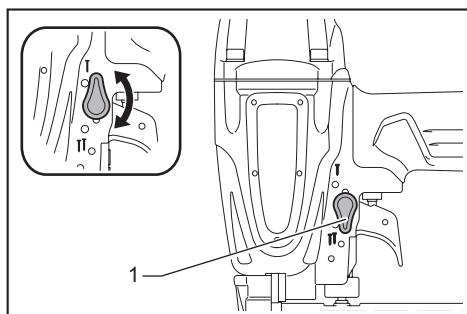
Un raccord à tuyau doit être installé sur ou près de l'outil de sorte que le réservoir de pression se vide au moment de la déconnexion du raccord d'alimentation en air.

UTILISATION

ATTENTION : Assurez-vous que tous les dispositifs de sécurité sont en état de fonctionner avant d'utiliser l'outil.

Sélection du mode de fonctionnement

ATTENTION : Avant d'agrafer, assurez-vous toujours que le sélecteur de mode de commande est bien sur la position du mode d'agrafage désiré.



► 1. Sélecteur de mode de commande

Mode de commande séquentielle simple :

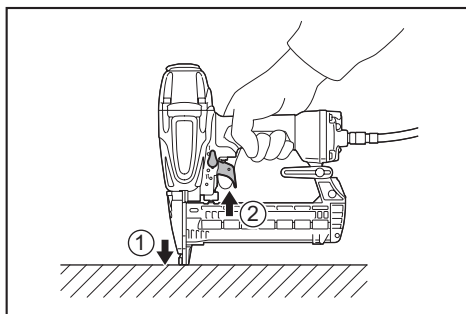
Vous pouvez planter une agrafe en une opération séquentielle. Sélectionnez ce mode pour planter une agrafe soigneusement et avec précision. Pour choisir ce mode, mettez le sélecteur de mode de commande sur la position 1.

Mode de commande par contact :

Vous pouvez planter des agrafes de manière répétée en mettant l'élément de contact sur la pièce avec la gâchette maintenue enfoncée. Pour choisir ce mode, mettez le sélecteur de mode de commande sur la position 2.

Commande séquentielle simple

Mettez l'élément de contact contre la pièce et enfoncez complètement la gâchette. Après l'agrafage, libérez l'élément de contact, puis libérez la gâchette.

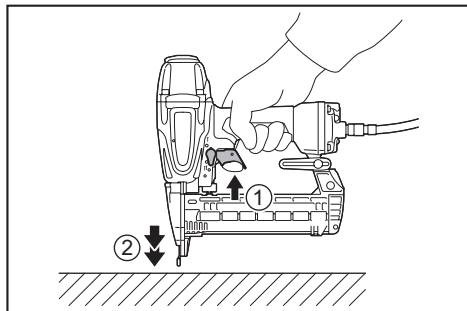


ATTENTION : Ne mettez pas l'élément de contact contre la pièce avec une force excessive. De plus, maintenez la gâchette complètement enfoncée pendant 1 ou 2 secondes après l'agrafage.

Même en mode de « commande séquentielle simple », une gâchette enfoncée à mi-course provoquera un agrafage inattendu lorsque l'élément de contact touchera de nouveau la pièce.

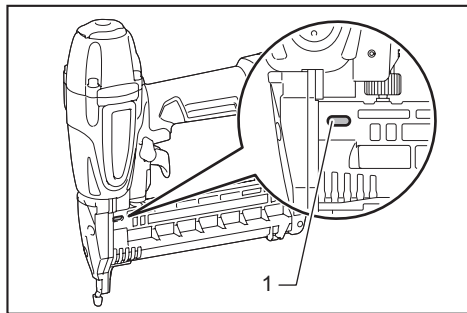
Commande par contact

Appuyez d'abord sur la gâchette puis mettez l'élément de contact contre la pièce.



Indicateur de magasin vide

Lorsqu'il reste peu d'agrafes dans le magasin, l'indicateur de magasin vide devient rouge. Chargez de nouvelles agrafes lorsque l'indicateur de magasin vide devient rouge.



► 1. Indicateur de magasin vide

Retrait des agrafes coincées

ATTENTION : Avant de retirer des agrafes coincées, ramenez toujours la gâchette et déconnectez le tuyau.

ATTENTION : N'utilisez pas d'agrafes ou bandes d'agrafes déformées. Autrement, cela causera une mauvaise alimentation en agrafes.

NOTE : Tenez toujours l'arrière de la porte coulissante lorsque vous appuyez sur le levier. Lorsqu'il y a des agrafes dans le magasin, la porte coulissante s'ouvre soudainement si le levier est enfoncé.

Suivez la procédure sous « Retrait des agrafes » pour retirer la bande d'agrafes, et retirez les agrafes coincées du rail à agrafes.

ENTRETIEN

⚠ ATTENTION : Avant d'effectuer tout travail d'inspection ou d'entretien, ramenez toujours la gâchette et déconnectez le tuyau d'air de l'outil.

AVIS : N'utilisez jamais d'essence, de benzène, de solvant, d'alcool ou autres produits similaires. Une décoloration, une déformation ou la formation de fissures peuvent en découler.

Agrafes

Manipulez soigneusement les bandes d'agrafes et leur boîte. Des bandes d'agrafes manipulées brutalement peuvent se déformer, ce qui causera une mauvaise alimentation en agrafes.

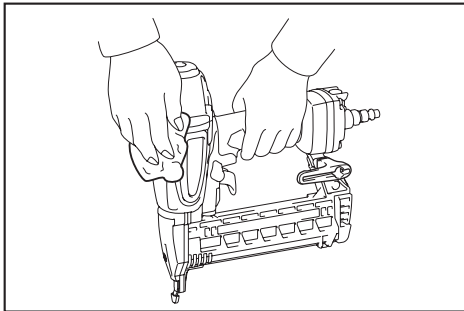
Évitez de ranger les agrafes dans un emplacement très humide, très chaud ou exposé aux rayons directs du soleil.

Entretien de l'agrafeuse

Avant d'utiliser l'outil, assurez-vous toujours qu'il est en bon état et qu'aucune de ses vis n'est desserrée. Le cas échéant, serrez les vis.

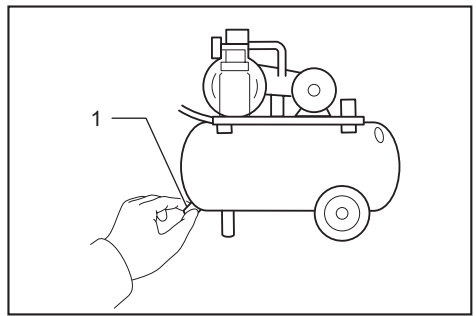
Avec l'outil déconnecté, effectuez une inspection quotidienne pour assurer le libre mouvement de l'élément de contact et de la gâchette. N'utilisez pas l'outil si l'élément de contact ou la gâchette colle ou se coince.

Lorsque l'outil doit rester inutilisé pour une période prolongée, lubrifiez-le avec de l'huile pour outil pneumatique et rangez-le dans un endroit sûr. Évitez de l'exposer aux rayons directs du soleil et/ou à un environnement humide ou chaud.

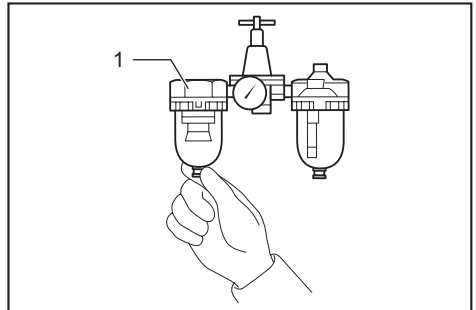


Entretien du compresseur, du dispositif d'air et du tuyau d'air

Après l'utilisation, vidangez toujours le réservoir du compresseur et le filtre à air. Si de l'humidité entre dans l'outil, cela pourrait entraîner un rendement médiocre et une éventuelle panne de l'outil.

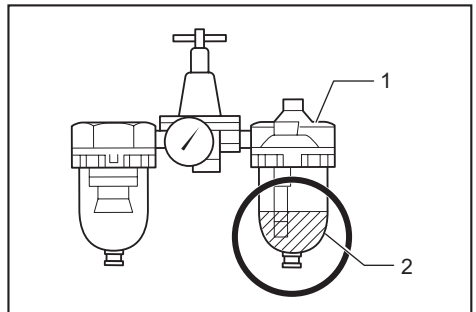


► 1. Robinet de vidange



► 1. Filtre à air

Vérifiez régulièrement s'il y a assez d'huile pneumatique dans le huileur du dispositif d'air. Les joints toriques s'useront rapidement si une lubrification suffisante n'est pas assurée.



► 1. Huileur 2. Huile pneumatique

Gardez le tuyau d'air à l'écart de la chaleur (plus de 60 °C ou 140 °F) et des produits chimiques (diluant, acides puissants ou substances alcalines puissantes). Faites aussi courir le tuyau à l'écart des obstacles où il risquerait de se coincer dangereusement pendant l'utilisation de l'outil. Les tuyaux doivent également être placés à l'écart des bords tranchants et de toute surface pouvant entraîner l'endommagement ou l'abrasion du tuyau.

Pour maintenir la SÉCURITÉ et la FIABILITÉ du produit, les réparations et tout autre travail d'entretien ou de réglage doivent être effectués dans un centre de service après-vente autorisé ou une usine Makita, exclusivement avec des pièces de rechange Makita.

ACCESSOIRES EN OPTION

⚠ ATTENTION : Ces accessoires ou pièces complémentaires sont recommandés pour l'utilisation avec l'outil Makita spécifié dans ce manuel. L'utilisation de tout autre accessoire ou pièce complémentaire peut comporter un risque de blessure. N'utilisez les accessoires ou pièces complémentaires qu'aux fins auxquelles ils ont été conçus.

Si vous désirez obtenir plus de détails sur ces accessoires, veuillez contacter le centre de service après-vente Makita le plus près.

- Agrafes
- Tuyau d'air
- Lunettes de sécurité

NOTE : Certains éléments de la liste peuvent être inclus avec l'outil comme accessoires standards. Ils peuvent varier suivant les pays.

GARANTIE LIMITÉE D'UN AN DE MAKITA

Politique de garantie

Tous les outils Makita sont soigneusement inspectés et mis à l'essai avant de quitter l'usine. Ils sont garantis contre les vices de fabrication et de matériau pour une période d'UN AN suivant la date de l'achat original. Si un problème survient pendant cette période d'un an, retournez l'outil COMPLET, fret payé d'avance, à une usine ou un centre de service après-vente autorisé Makita. S'il ressort de l'inspection que le problème est dû à un vice de fabrication ou de matériau, Makita réparera (ou remplacera, à son gré) l'outil gratuitement.

Cette garantie ne s'applique pas dans les cas où :

- des réparations ont été effectuées ou tentées par un tiers;
- des réparations sont nécessaires en raison de l'usure normale;
- l'outil a été malmené, mal utilisé ou non adéquatement entretenu;
- l'outil a subi des modifications.

MAKITA NE SERA EN AUCUN CAS RESPONSABLE DE TOUS DOMMAGES INDIRECTS, ACCESSOIRES OU CONSÉCUTIFS DE LA VENTE OU DE L'UTILISATION DU PRODUIT. CET AVIS DE NON-RESPONSABILITÉ S'APPLIQUE PENDANT ET APRÈS LA PÉRIODE COUVERTE PAR CETTE GARANTIE.

MAKITA DÉCLINE TOUTE RESPONSABILITÉ QUANT À TOUTES GARANTIES IMPLICITES, Y COMPRIS LES GARANTIES DE « QUALITÉ MARCHANDE » OU D'« ADAPTATION À UN USAGE PARTICULIER » APRÈS LA PÉRIODE DE GARANTIE D'UN AN.

Cette garantie vous donne des droits légaux spécifiques, et vous pouvez également avoir d'autres droits qui varient d'une province à l'autre. Certaines provinces n'autorisant pas l'exclusion ou la restriction des dommages accessoires ou consécutifs, il se peut que la restriction ou l'exclusion ci-dessus ne s'applique pas à vous. Certaines provinces n'autorisant pas de restriction quant à la durée des garanties implicites, il se peut que la restriction ci-dessus ne s'applique pas à vous.

ESPECIFICACIONES

Modelo:	AT638A
Presión de aire	0,49 - 0,83 MPa (70 - 120 PSIG)
Longitud de las grapas	13 mm (1/2") - 38 mm (1-1/2")
Capacidad de grapas	100 piezas
Diámetro mínimo de la manguera	6,5 mm (1/4")
Dimensiones (La x An x Al)	230 mm x 75 mm x 251 mm (9" x 2-15/16" x 9-7/8")
Peso neto	1,2 kg (2,7 lbs)

- Debido a nuestro programa continuo de investigación y desarrollo, las especificaciones aquí dadas están sujetas a cambios sin previo aviso.
- Las especificaciones pueden variar de país a país.
- Peso de acuerdo al procedimiento de EPTA 01/2003

ADVERTENCIAS DE SEGURIDAD

Instrucciones importantes de seguridad

Por su seguridad personal y para una operación y mantenimiento adecuados de la herramienta, lea este manual de instrucciones atentamente antes de usar la herramienta.

ADVERTENCIA: AL UTILIZAR ESTA HERRAMIENTA, SE DEBEN SEGUIR SIEMPRE LAS PRECAUCIONES DE SEGURIDAD BÁSICAS PARA REDUCIR EL RIESGO DE LESIÓN PERSONAL, ENTRE LAS CUALES SE INCLUYEN LAS SIGUIENTES:

LEA TODAS LAS INSTRUCCIONES.

Equipo de protección personal

1. Siempre use gafas de seguridad para evitar lesiones en los ojos ocasionadas por el polvo o los clavos. Las gafas de seguridad deben cumplir con los requisitos de la norma ANSI Z87.1.

ADVERTENCIA: Es responsabilidad del empleador imponer el uso de equipo de seguridad para la protección de los ojos a los usuarios de las herramientas y demás personas en las inmediaciones del área de trabajo.

2. Use protección para los oídos para protegerlos contra el ruido del escape, así como también debe usarse protección para la cabeza. Además vistase con ropa ligera pero no holgada. Las mangas deben estar abotonadas o arremangadas. No deben usarse corbatas.

Atmósferas inflamables

1. No opere la herramienta en atmósferas explosivas, tal como en la presencia de líquidos, gases o polvo inflamables.

Modificación de la herramienta

1. La herramienta no deberá ser modificada a menos que esté autorizado en el manual de la herramienta o aprobado por escrito por el fabricante de la herramienta.

Mantenimiento de la herramienta

1. Consulte las instrucciones de mantenimiento de la herramienta para ver información detallada sobre el mantenimiento adecuado de la herramienta.

Clavos y accesorios recomendados

1. Utilice solamente clavos hechos o recomendados por el fabricante de la herramienta, o clavos que funcionen de manera similar a los recomendados por el fabricante.
2. Utilice solamente accesorios hechos o recomendados por el fabricante de la herramienta, o accesorios que funcionen de manera similar a los recomendados por el fabricante.

Inspeccione la herramienta antes de la operación para que:

1. Use solamente el suministro de energía especificado en el manual de instrucciones. Opere la herramienta dentro del rango de presión de aire especificado en la etiqueta de la herramienta para garantizar la seguridad y prolongar la vida útil de la herramienta. No exceda la presión de operación máxima recomendada. La herramienta no deberá conectarse a un suministro cuya presión pueda exceder los 1,38 MPa (200 PSIG).
2. Nunca use la herramienta con algo más que no sea aire comprimido. Si se utiliza algún gas embotellado (bióxido de carbono, oxígeno, nitrógeno, hidrógeno, aire, etc.) o algún gas combustible (hidrógeno, propano, acetileno, etc.) como suministro de energía para esta herramienta, ésta explotará y causará graves lesiones.
3. Siempre verifique el estado general de la herramienta, así como si hay tornillos sueltos antes de la operación. Apriete según sea necesario.

4. Asegúrese de que todos los sistemas de seguridad funcionen adecuadamente antes de la operación. La herramienta no deberá ser operada si solamente se ha jalado el gatillo interruptor o si sólo se ha presionado el elemento de contacto contra la madera. Ésta deberá operarse únicamente cuando ambas acciones hayan sido ejecutadas. Compruebe si hay alguna operación defectuosa sin que haya clavos cargados y con el elemento de contacto en la posición completamente retraída.
5. Siempre inspeccione el elemento de contacto tal como se indica en este manual. Los clavos podrían clavarse accidentalmente si el mecanismo de seguridad no está funcionando correctamente.

Controles de operación

1. No utilice una herramienta que no tenga o tenga dañadas la(s) etiqueta(s) de advertencia de seguridad.
2. Una herramienta que no esté en buenas condiciones de funcionamiento no deberá ser utilizada. Los rótulos y la segregación física deberán ser utilizados para el control.
3. No quite ni altere los controles de operación de la herramienta, ni cause de otra manera que éstos se vuelvan inoperables.
4. No opere la herramienta si cualquier sección de los controles de operación de la herramienta está inoperable, desconectada, alterada o no está funcionando apropiadamente.

Manipulación de la herramienta

1. Solamente las personas que hayan leído y entendido las instrucciones de operación/seguridad de la herramienta deberán operar la herramienta.
2. Siempre asuma que la herramienta contiene clavos.
3. No apunte la herramienta hacia usted ni a ninguna persona independientemente de que contenga clavos o no.
4. Mantenga alejados a los niños y demás personas alrededor durante la operación de la herramienta.
5. No accione la herramienta a menos que esté colocada firmemente contra la pieza de trabajo.
6. Trate la herramienta como un utensilio de trabajo.
7. No utilice la herramienta para jugar.
8. Manténgase alerta, concéntrese en su trabajo y utilice el sentido común cuando trabaje con herramientas.
9. No utilice la herramienta cuando esté cansado, después de haber consumido drogas o alcohol, o bajo la influencia de medicamentos.
10. No utilice la herramienta donde no alcance. Pise sobre suelo firme y mantenga el equilibrio en todo momento.
11. No sostenga ni cargue la herramienta con el dedo sobre el gatillo interruptor.
12. Coloque los clavos únicamente sobre una superficie de trabajo adecuada.
13. No coloque los clavos sobre otros clavos.

14. Después de colocar un clavo, la herramienta podría saltar hacia atrás (“retroceder”) alejándose de la superficie de trabajo. Para reducir el riesgo de lesiones asociadas con el retroceso, siempre haga lo siguiente:
 - a) mantenga siempre el control sobre la herramienta.
 - b) permita que el retroceso aleje a la herramienta de la superficie de trabajo.
 - c) no resista el retroceso para hacer regresar a la fuerza la herramienta a la superficie de trabajo. En el “Modo de accionamiento por contacto”, si el contacto con la pieza de trabajo es permitido para volver a entrar en contacto con la superficie de trabajo antes de soltar el gatillo interruptor, ocurrirá la descarga accidental de un clavo.
 - d) mantenga la cara y las partes del cuerpo alejados de la herramienta.
 15. Cuando trabaje cerca del borde de una pieza de trabajo o en ángulos pronunciados, tenga cuidado para minimizar el astillado, fisura o fragmentación, o que los clavos salgan volando o reboten, pudiendo ocasionar una lesión.
 16. Mantenga las manos y el cuerpo alejados del área de descarga de clavos de la herramienta.
 17. No cargue la herramienta con los clavos cuando cualquiera de los controles de operación se encuentre activado.
 18. No opere la herramienta con un suministro de energía que no sea el especificado en las instrucciones de operación/seguridad de la herramienta.
 19. No opere la herramienta con ninguna presión de operación que no sea la especificada en las instrucciones de operación/seguridad de la herramienta.
 20. Siempre seleccione un sistema de accionamiento que sea apropiado para la aplicación de clavos y la capacitación del operador.
 21. Tenga extrema precaución cuando coloque los clavos en las paredes existentes u otras áreas ciegas para evitar el contacto con objetos ocultos o personas del otro lado (p. ej., cables, tubos).
 22. No levante, jale o baje la herramienta tomándola de la manguera.
- Desconexión de la herramienta**
 Desconecte la herramienta del suministro de energía cuando:
1. no la esté usando;
 2. realice cualquier tarea de mantenimiento o reparación;
 3. despeje algún atascamiento;
 4. eleve, baje o mueva de alguna otra forma la herramienta a otro lugar;
 5. la herramienta esté fuera de la supervisión o control del operador; o
 6. retire los clavos del cartucho.
- Instrucciones adicionales de seguridad**
1. El área de trabajo debe estar suficientemente iluminada para garantizar la seguridad en las operaciones. El área de trabajo debe estar despejada y limpia.

2. Puede que haya regulaciones locales respecto al ruido las cuales deben cumplirse al mantener los niveles de ruido dentro de los límites preestablecidos. En determinados casos, deberán usarse persianas para contener el ruido.
3. Revise paredes, techos, tejados, pisos y similares con atención para evitar una descarga eléctrica accidental, así como una fuga de gas, explosiones, etc. que sean provocadas por haber insertado el fijador en cables con corriente, tubos o ductos de gas.
4. En los tejados y otros lugares elevados, clave a medida que vaya avanzando hacia adelante. Usted puede perder fácilmente el equilibrio si clava mientras retrocede. Al clavar contra una superficie perpendicular, hágalo de la parte superior a la inferior. Si lo hace así, se fatigará menos al realizar las operaciones.
5. No deje la herramienta cargada o con el compresor de aire funcionando por un tiempo prolongado bajo el sol. Asegúrese de que el polvo, la arena, las astillas o el material extraño no ingrese a la herramienta al dejarla en el lugar que designe.
6. Realice operaciones de limpieza y mantenimiento justo después de haber terminado la labor. Mantenga la herramienta en excelentes condiciones. Lubrique las piezas móviles para prevenir la oxidación y minimizar el desgaste por fricción. Limpie la herramienta y las piezas del polvo.
7. No desconecte la manguera de aire con el dedo sobre el gatillo interruptor. Un clavado inesperado podría causar lesiones graves si la manguera de aire está conectada.
8. Si la herramienta llegara a caerse o golpearse, revise los daños o grietas en la herramienta y asegúrese de que los sistemas de seguridad estén funcionando correctamente antes de la operación. El no hacerlo podría causar lesiones graves debido a la alta presión en el interior de la herramienta.
9. Solicite una inspección periódica de la herramienta en los centros de servicios autorizados de Makita.
10. Para mantener la **SEGURIDAD** y **FIABILIDAD** del producto, las reparaciones y cualquier mantenimiento deberán ser realizados por los centros de servicio autorizados o de fabricación de Makita, usando siempre repuestos Makita.

GUARDE ESTAS INSTRUCCIONES.

⚠ ADVERTENCIA: El uso incorrecto o el no seguir las normas de seguridad que se declaran en este instructivo podría resultar en lesiones personales graves.

Símbolos

A continuación se muestran los símbolos utilizados para la herramienta.



Lea y entienda el manual y las etiquetas de la herramienta. El no seguir las advertencias podría ocasionar la muerte o una lesión grave.

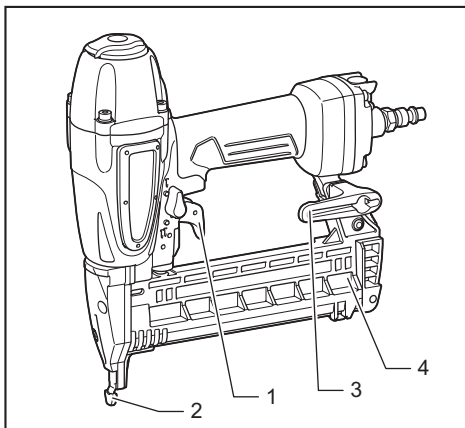


Los operarios y demás personas que se encuentran en el área de trabajo deben usar gafas de seguridad con protección lateral.



Mantenga los dedos alejados del gatillo interruptor cuando no esté colocando clavos a fin de evitar una descarga accidental.

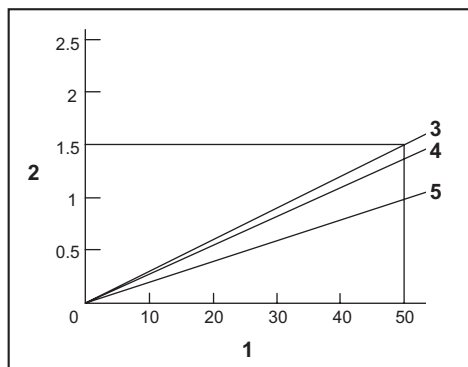
DESCRIPCIÓN DE LAS PIEZAS



- 1. Gatillo interruptor 2. Adaptador de boquilla (elemento de contacto) 3. Gancho 4. Cartucho

INSTALACIÓN

Selección del compresor



1. Frecuencia de engrapado (veces/min) 2. Salida de aire del compresor por minuto (CFM: pies cúbicos por minuto (ft³/min)) 3. 0,83 MPa (120 PSIG) 4. 0,66 MPa (95 PSIG) 5. 0,49 MPa (70 PSIG)

El compresor de aire debe cumplir con los requisitos de ANSI B19.3.

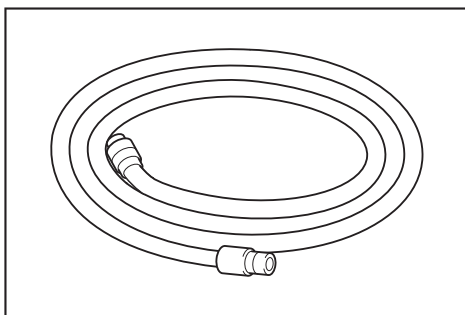
Seleccione un compresor que tenga suficiente presión y salida de aire para garantizar una operación eficiente. El gráfico muestra la relación entre la frecuencia de engrapado, la presión aplicable y la salida de aire del compresor.

Así, por ejemplo, si el engrapado se lleva a cabo a una velocidad aproximada de 50 veces por minuto a una compresión de 0,83 MPa (120 PSIG), se requerirá un compresor con una salida de aire de más de 1,5 CFM (pies cúbicos por minuto (ft³/min)).

Deben utilizarse reguladores de presión para limitar la presión del aire suministrado cuando éste exceda la presión nominal de la herramienta. El no hacerlo podría causar lesiones graves al operador de la herramienta o a las personas alrededor.

Selección de la manguera de aire

PRECAUCIÓN: Una baja presión en la salida de aire del compresor o una manguera de aire larga o de menor diámetro en relación con la frecuencia de engrapado puede causar una disminución en la capacidad de manejo de la herramienta.

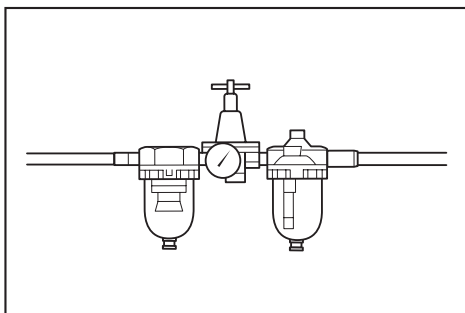


Utilice una manguera de aire tan ancha y tan corta como sea posible para asegurar una operación de engrapado continua y eficiente.

Con una presión de aire de 0,49 MPa (70 PSIG), se recomienda una manguera de aire con un diámetro interno de más de 6,5 mm (1/4") y una longitud de menos de 20 m (6,6 ft) cuando el intervalo entre cada engrapado sea de 0,5 segundos.

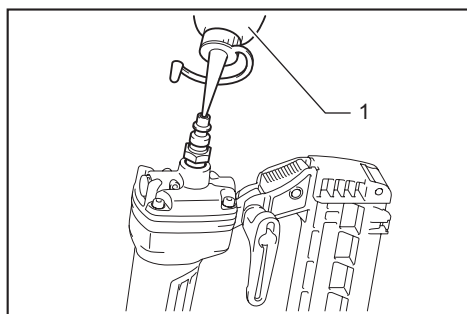
Las mangueras de suministro de aire deben tener una presión nominal de trabajo mínima de 1,03 MPa (150 PSIG) o del 150 por ciento de la presión máxima producida en el sistema, la que resulte más alta.

Lubricación



Para garantizar un desempeño óptimo, instale un equipo de aire (lubricador, regulador, filtro de aire) lo más cerca posible de la herramienta. Ajuste el lubricador de manera que suministre una gota de aceite cada 50 grapas.

Cuando no se utilice un equipo de aire, lubrique la herramienta con aceite para herramienta neumática aplicando 2 (dos) o 3 (tres) gotas en el acceso de aire. Esto deberá hacerse antes y después de cada uso. Para una lubricación adecuada, la herramienta deberá dispararse un par de veces después de haber aplicado el aceite para herramienta neumática.

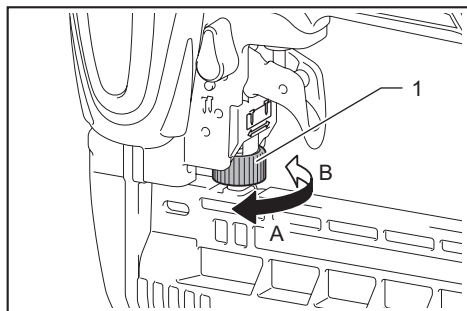


► 1. Aceite para herramienta neumática

DESCRIPCIÓN DEL FUNCIONAMIENTO

⚠PRECAUCIÓN: Antes de ajustar o verificar el funcionamiento de la herramienta, regrese siempre a su lugar el gatillo interruptor y desconecte la manguera de aire de la herramienta.

Ajuste de la profundidad de engrapado



► 1. Ajustador

Para ajustar la profundidad de engrapado, gire el ajustador.

La profundidad de engrapado máxima se obtiene cuando el ajustador se gira completamente en la dirección A mostrada en la figura. Para conseguir una profundidad más superficial, el ajustador se gira en la dirección B.

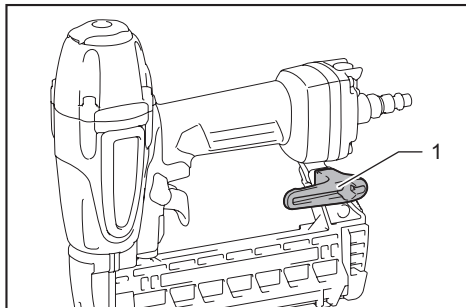
Si las grapas no pueden clavarse lo suficientemente profundo aun habiendo girado el ajustador completamente en la dirección A, aumente la presión de aire. Si las grapas se clavan demasiado profundo aun habiendo girado el ajustador completamente en la dirección B, disminuya la presión de aire.

En términos generales, la vida útil de la herramienta será más larga si la herramienta es utilizada con una presión de aire más baja y con el ajustador fijado a una mayor profundidad de clavado de grapas.

Gancho

⚠PRECAUCIÓN: Nunca cuelgue la herramienta con el gancho en un lugar elevado o sobre una superficie que pueda resultar inestable.

⚠PRECAUCIÓN: No cuelgue el gancho del cinturón. Si la engrapadora llegara a caer accidentalmente, podría fallar en el disparo y ocasionar lesiones personales.



► 1. Gancho

El gancho resulta útil para colgar la herramienta temporalmente.

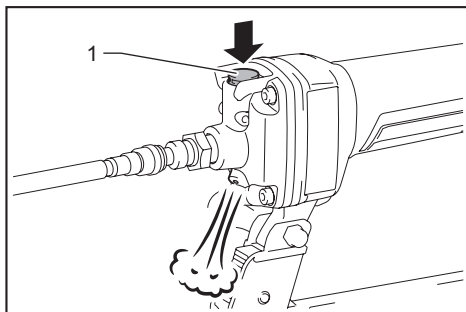
Sacudidor de aire

⚠PRECAUCIÓN: No apunte hacia nadie el puerto de expulsión del sacudidor de aire. Asimismo, mantenga las manos y los pies alejados del puerto de expulsión. Si el botón del sacudidor de aire llega a presionarse por accidente, podrían producirse lesiones personales.

⚠PRECAUCIÓN: Revise siempre los alrededores antes de usar el sacudidor de aire. El polvo u objetos sopladados podrían golpear a alguien.

⚠PRECAUCIÓN: No conecte ni desconecte la manguera de aire mientras presiona el botón del sacudidor de aire.

El aire suministrado a la herramienta también puede utilizarse como un sacudidor de aire. Usted puede limpiar el área de trabajo presionando el botón en el extremo de la empuñadura.



► 1. Botón

AVISO: Después de utilizar el sacudidor de aire, la fuerza de atornillado de la herramienta se reducirá temporalmente. En este caso, espere hasta que la presión de aire se recupere.

AVISO: Realice una prueba de soplado si utiliza el sacudidor de aire inmediatamente después de aplicar el aceite. El aceite puede ser rociado con el aire.

MONTAJE

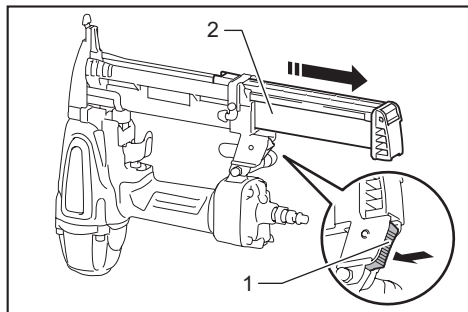
⚠PRECAUCIÓN: Antes de realizar cualquier trabajo en la herramienta, regrese siempre a su lugar el gatillo interruptor y desconecte la manguera de aire de la herramienta.

⚠PRECAUCIÓN: Cuando cargue múltiples tiras de grapas en el cartucho, cargue grapas del mismo tipo y tamaño y de longitud uniforme.

Cargado de la engrapadora

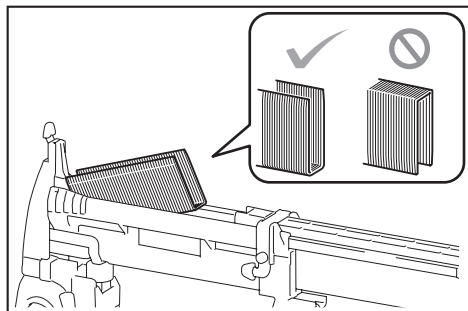
NOTA: Sostenga siempre la parte trasera de la compuerta corrediza cuando presione la palanca. La compuerta corrediza se abrirá repentinamente con la palanca presionada cuando las grapas se encuentren almacenadas en el cartucho.

1. Presione la palanca y abra la compuerta corrediza del cartucho.

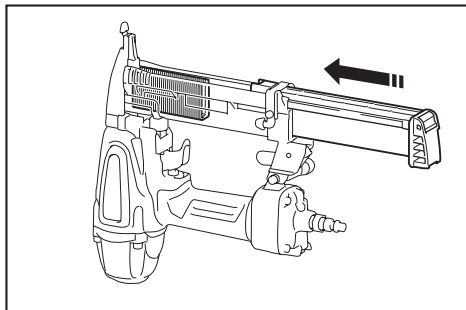


- 1. Palanca 2. Compuerta corrediza

2. Inserte hasta el fondo una tira de grapas en la abertura del cartucho.



3. Cierre la compuerta corrediza hasta que quede asegurada.

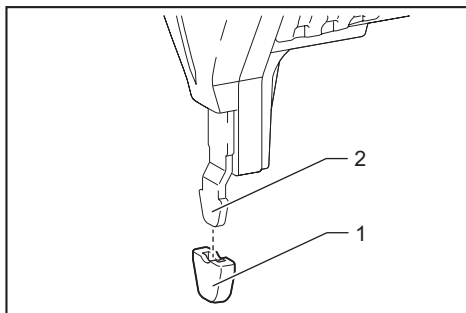


Extracción de grapas

Para extraer las grapas, siga el procedimiento en la sección "Cargado de la engrapadora" en orden inverso.

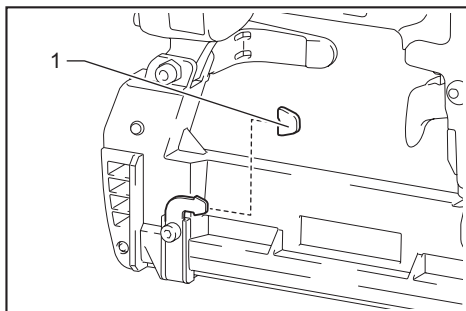
Adaptador de boquilla

Para evitar raspaduras o daños en la superficie de la pieza de trabajo, utilice el adaptador de boquilla.



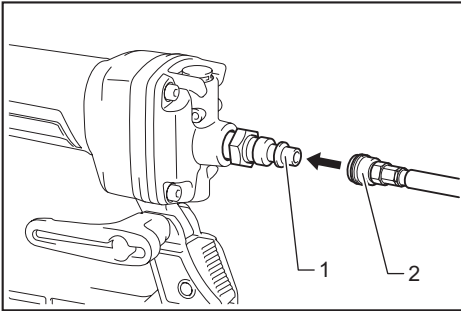
- 1. Adaptador de boquilla 2. Elemento de contacto

Un adaptador de boquilla de repuesto se almacena en el lugar mostrado en la figura.



- 1. Adaptador de boquilla de repuesto

Conexión de la manguera de aire



► 1. Acceso de aire 2. Conexión de aire

Deslice la conexión de aire de la manguera de aire en el acceso de aire de la engrapadora. Asegúrese de que la conexión de aire quede firmemente asegurada en su lugar al instalarse en el acceso de aire.

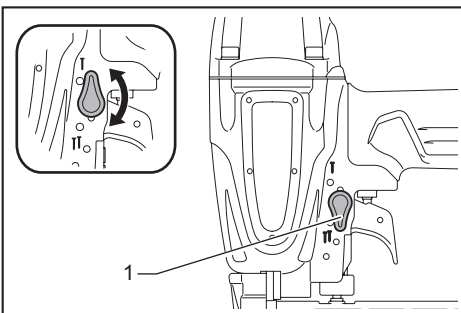
Debe instalarse un acoplador de manguera sobre o cerca de la herramienta de tal forma que el contenedor de presión se descargue al momento en que el acoplador del suministro de aire se desconecte.

OPERACIÓN

⚠PRECAUCIÓN: Asegúrese de que todos los sistemas de seguridad funcionen adecuadamente antes de la operación.

Selección del modo de operación

⚠PRECAUCIÓN: Asegúrese siempre de que el selector del modo de accionamiento esté debidamente ajustado en la posición para el modo de engrapado deseado antes de comenzar a engrapar.



► 1. Selector del modo de accionamiento

Modo de accionamiento secuencial simple:

Usted puede clavar una grapa mediante una operación secuencial. Seleccione este modo para clavar una grapa de manera cuidadosa y precisa.

Para elegir este modo, ajuste el selector del modo de accionamiento en la posición

Modo de accionamiento por contacto:

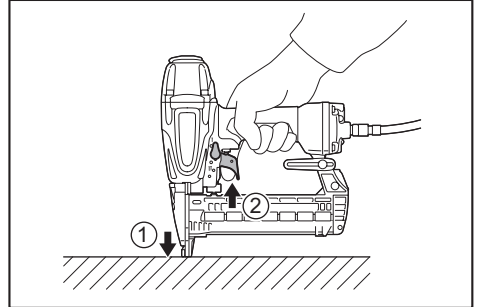
Usted puede clavar grapas una tras otra colocando el elemento de contacto mientras mantiene presionado el gatillo interruptor.

Para elegir este modo, ajuste el selector del modo de accionamiento en la posición

Accionamiento secuencial simple

Coloque el elemento de contacto contra la pieza de trabajo y jale el gatillo interruptor completamente.

Después del engrapado, suelte el elemento de contacto y luego suelte el gatillo interruptor.

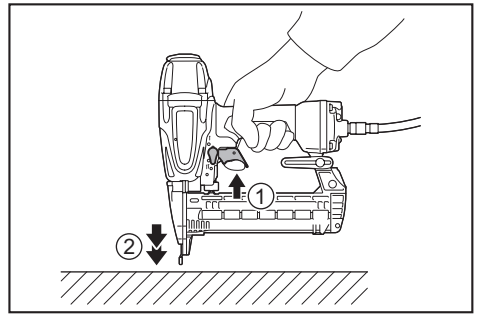


⚠PRECAUCIÓN: No coloque el elemento de contacto contra la pieza de trabajo con demasiada fuerza. Asimismo, jale el gatillo interruptor por completo y sosténgalo durante 1 o 2 segundos después de engrapar.

Incluso en el modo de "Accionamiento secuencial simple", el no jalar completamente el gatillo interruptor podría provocar un engrapado accidental en el momento en que el elemento de contacto vuelva a tocar la pieza de trabajo.

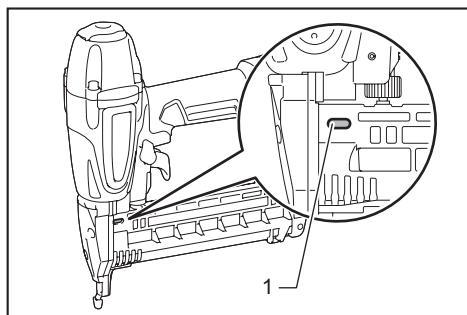
Accionamiento por contacto

Jale el gatillo interruptor primero y luego coloque el elemento de contacto contra la pieza de trabajo.



Indicador de cargador vacío

Cuando el número restante de grapas en el cartucho es bajo, el indicador de cargador vacío se pone en rojo. Recargue las grapas cuando el indicador de cargador vacío se ponga en rojo.



► 1. Indicador de cargador vacío

Extracción de grapas atascadas

- ▲ **PRECAUCIÓN:** Siempre regrese el gatillo interruptor a su lugar y desconecte la manguera antes de extraer las grapas atascadas.
- ▲ **PRECAUCIÓN:** No utilice grapas ni una tira de grapas deformes. El hacerlo podría causar una alimentación de grapas deficiente.

NOTA: Sostenga siempre la parte trasera de la compuerta corrediza cuando presione la palanca. La compuerta corrediza se abrirá repentinamente con la palanca presionada cuando las grapas se encuentren almacenadas en el cartucho.

Siga el procedimiento en la sección “Extracción de grapas” para extraer la tira de grapas y retirar las grapas atascadas del riel para grapas.

MANTENIMIENTO

- ▲ **PRECAUCIÓN:** Antes de intentar hacer una inspección o una tarea de mantenimiento, regrese siempre a su lugar el gatillo interruptor y desconecte la manguera de aire de la herramienta.
- AVISO:** Nunca use gasolina, bencina, diluyente (tíner), alcohol o sustancias similares. Puede que esto ocasione grietas o descoloramiento.

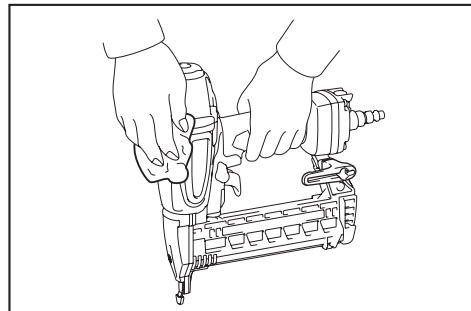
Grapas

Manipule las tiras de grapas y su caja con cuidado. Si las tiras de grapas son manipuladas bruscamente, podrían perder su forma ocasionando una alimentación de grapas deficiente. Evite almacenar las grapas en lugares muy húmedos o calientes o expuestos a la luz directa del sol.

Mantenimiento de la engrapadora

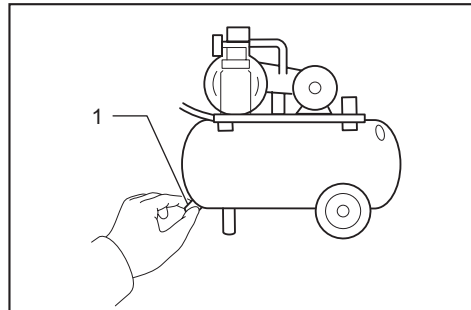
Verifique siempre el estado general de la herramienta así como que no haya tornillos sueltos antes de la operación. Apriete según sea necesario.

Con la herramienta desconectada, efectúe una inspección diaria para asegurar el libre movimiento del elemento de contacto y el gatillo interruptor. No utilice la herramienta si el elemento de contacto o el gatillo interruptor se quedan pegados o adheridos. Cuando no vaya a usar la herramienta durante un período prolongado de tiempo, lubrique la herramienta usando aceite para herramienta neumática y almacene la herramienta en un lugar seguro. Evite la exposición a la luz directa del sol y/o a un ambiente húmedo o cálido.

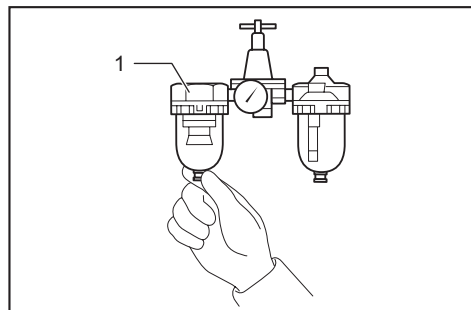


Mantenimiento del compresor, el equipo de aire y la manguera de aire

Tras la operación, drene siempre el tanque del compresor y el filtro de aire. Si se deja que ingrese humedad a la herramienta, esto puede ocasionar un desempeño deficiente y una posible falla de la herramienta.

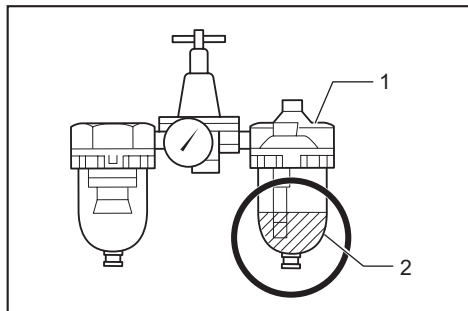


► 1. Llave de drenaje



► 1. Filtro de aire

Revise regularmente si hay suficiente aceite neumático en el lubricador del equipo de aire. El no mantener una lubricación suficiente ocasionará que los anillos en O se desgasten rápidamente.



► 1. Lubricador 2. Aceite neumático

Mantenga la manguera de aire alejada del calor (más de 60°C, más de 140°F), lejos de las sustancias químicas (diluyente, ácidos o álcalis fuertes). Además, oriente la manguera lejos de los obstáculos en los que podría quedar peligrosamente atrapada durante la operación. Las mangueras deben también orientarse lejos de bordes filosos y áreas que podrían causarles daños o desgastes.

Para mantener la SEGURIDAD y FIABILIDAD del producto, las reparaciones, y cualquier otra tarea de mantenimiento o ajuste deberán ser realizadas en centros de servicio autorizados o de fábrica Makita, empleando siempre repuestos Makita.

ACCESORIOS OPCIONALES

⚠PRECAUCIÓN: Estos accesorios o aditamentos están recomendados para utilizarse con su herramienta Makita especificada en este manual.

El empleo de cualquier otro accesorio o aditamento puede conllevar el riesgo de lesiones personales. Utilice los accesorios o aditamentos solamente para su fin establecido.

Si necesita cualquier ayuda para más detalles en relación con estos accesorios, pregunte a su centro de servicio local Makita.

- Grapas
- Manguera de aire
- Gafas de seguridad

NOTA: Algunos de los artículos en la lista pueden incluirse en el paquete de la herramienta como accesorios estándar. Éstos pueden variar de país a país.

GARANTÍA LIMITADA DE UN AÑO DE MAKITA

Ésta Garantía no aplica para México Política de garantía

Cada herramienta Makita es inspeccionada y probada exhaustivamente antes de salir de la fábrica. Se garantiza que está libre de defectos de mano de obra y materiales por el período de UN AÑO a partir de la fecha original de compra. Si durante este período de un año se desarrollara algún problema, devuelva la herramienta COMPLETA, con el envío prepagado, a un centro de servicio autorizado o de fábrica Makita. Si la inspección muestra que el problema ha sido a causa de un defecto de mano de obra o material, Makita hará la reparación (o a su discreción, el reemplazo) sin ningún cargo.

Esta garantía no aplica cuando:

- las reparaciones se hayan hecho o intentado hacer por otros;
- se requieran reparaciones debido al desgaste normal;
- la herramienta haya sido maltratada, recibido un mal uso o haya recibido un mantenimiento inapropiado;
- se hayan hecho modificaciones a la herramienta.

EN NINGÚN CASO MAKITA SE HARÁ RESPONSABLE DE NINGÚN DAÑO INDIRECTO, INCIDENTAL, O DERIVADO DE LA VENTA O USO DEL PRODUCTO. ESTE DESCARGO DE RESPONSABILIDAD APLICA DURANTE Y DESPUÉS DEL PLAZO DE ESTA GARANTÍA.

MAKITA RENUNCIA A LA RESPONSABILIDAD POR CUALQUIER GARANTÍA IMPLÍCITA, INCLUYENDO GARANTÍAS DE "COMERCIABILIDAD" Y "ADECUACIÓN PARA UN PROPÓSITO ESPECÍFICO", DESPUÉS DEL PLAZO DE UN AÑO DE ESTA GARANTÍA.

Esta garantía le concede derechos legales específicos y usted podrá tener también otros derechos que varían de un estado a otro. Algunos estados no permiten la exclusión o limitación de daños incidentales o consecuentes, por lo que la limitación o exclusión arriba mencionada podría no aplicar para usted. Algunos estados no permiten la limitación sobre la duración de una garantía implícita, por lo que la limitación arriba mencionada podría no aplicar para usted.

< USA only >

WARNING

Some dust created by power sanding, sawing, grinding, drilling, and other construction activities contains chemicals known to the State of California to cause cancer, birth defects or other reproductive harm. Some examples of these chemicals are:

- lead from lead-based paints,
- crystalline silica from bricks and cement and other masonry products, and
- arsenic and chromium from chemically-treated lumber.

Your risk from these exposures varies, depending on how often you do this type of work. To reduce your exposure to these chemicals: work in a well ventilated area, and work with approved safety equipment, such as those dust masks that are specially designed to filter out microscopic particles.

< Sólo en los Estados Unidos >

ADVERTENCIA

Algunos polvos creados por el lijado, aserrado, esmerilado, taladrado y otras actividades de la construcción contienen sustancias químicas reconocidas por el Estado de California como causantes de cáncer, defectos de nacimiento y otros peligros de reproducción. Algunos ejemplos de estos productos químicos son:

- plomo de pinturas a base de plomo,
- sílice cristalino de ladrillos y cemento y otros productos de albañilería, y
- arsénico y cromo de maderas tratadas químicamente.

El riesgo al que se expone varía, dependiendo de la frecuencia con la que realice este tipo de trabajo. Para reducir la exposición a estos productos químicos: trabaje en un área bien ventilada y póngase el equipo de seguridad indicado, tal como las máscaras contra polvo que están especialmente diseñadas para filtrar partículas microscópicas.

Makita Corporation

3-11-8, Sumiyoshi-cho,
Anjo, Aichi 446-8502 Japan

www.makita.com

AT638A-NA3-1215
AT638A-1
EN, FRCA, ESMX
20160218