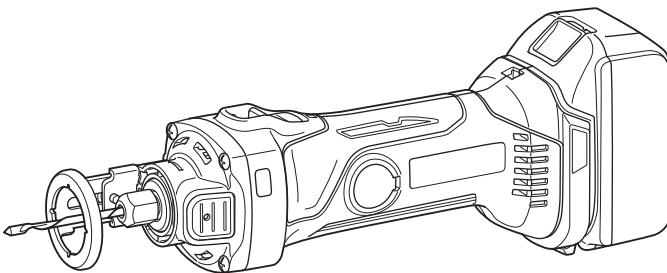
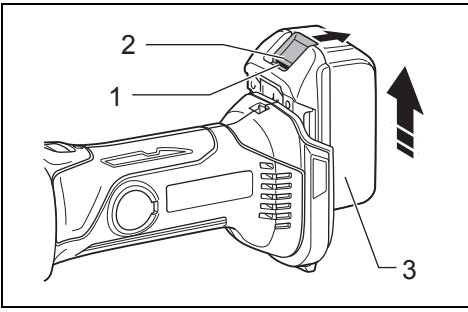




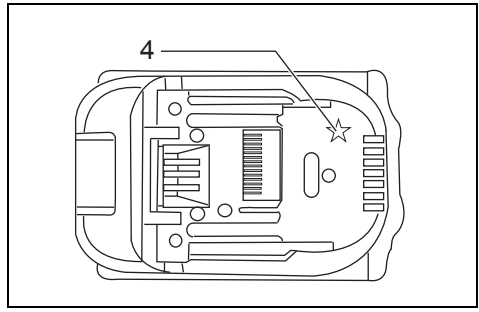
GB	Cordless Cut-Out Tool	Instruction Manual
F	Découpeuse Rotative Sans Fil	Manuel d'instructions
D	Akku-Rotationsschneider	Betriebsanleitung
I	Rifilatore a batteria	Istruzioni per l'uso
NL	Snoerloze decoupeerboor	Gebruiksaanwijzing
E	Recortadora Inalámbrica	Manual de instrucciones
P	Recortadora de Gesso a Bateria	Manual de instruções
DK	Akku-skæremaskine	Brugsanvisning
GR	Εργαλείο κοπής μπαταρίας	Οδηγίες χρήσεως
TR	Akülü Kesici Alet	Kullanma kılavuzu

DCO140
DCO180

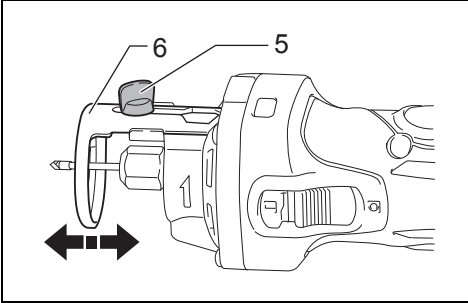




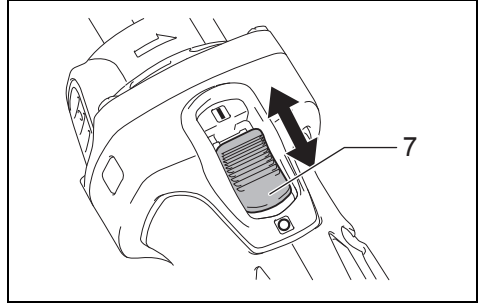
1 014849



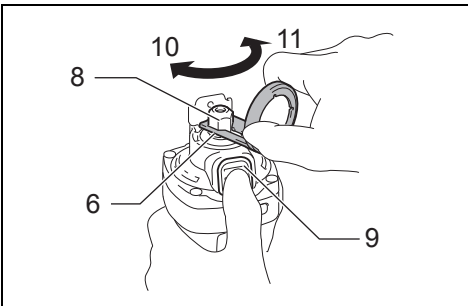
2 012128



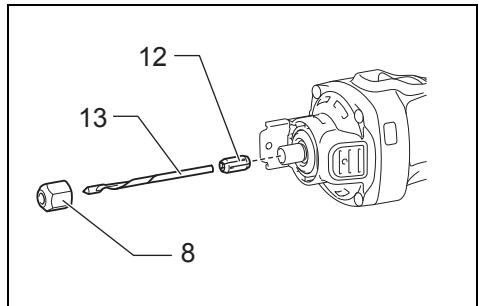
3 014854



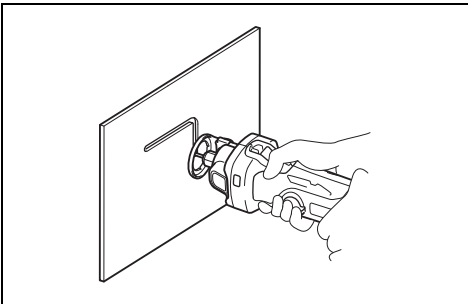
4 014856



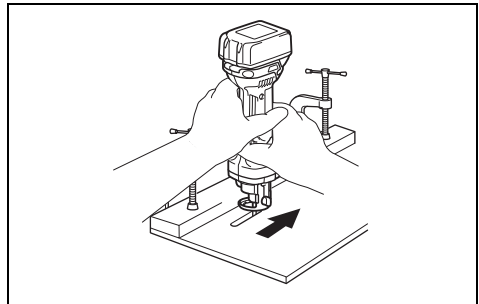
5 014852



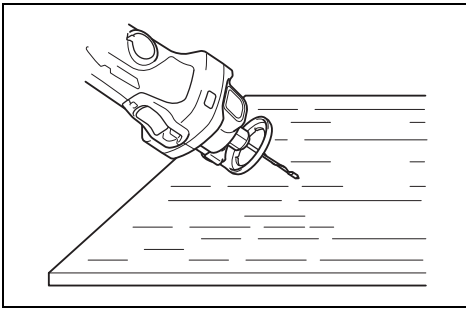
6 014853



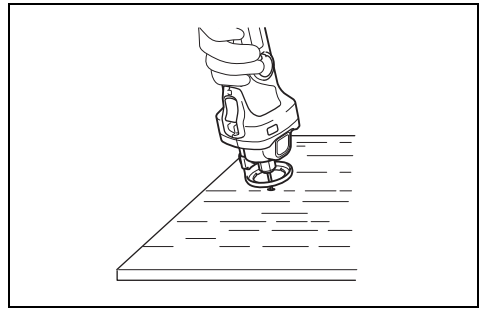
7 014857



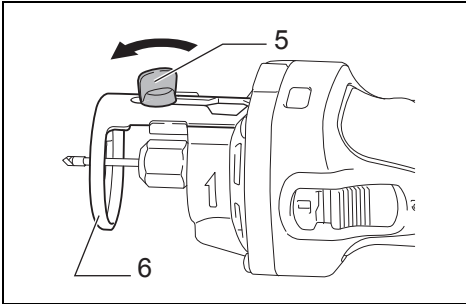
8 014858



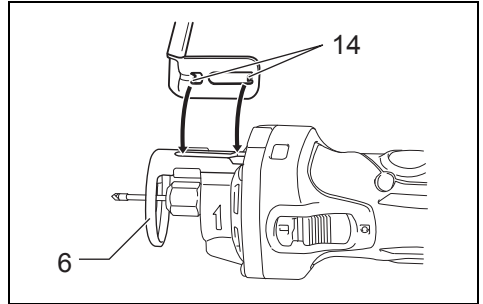
9 014870



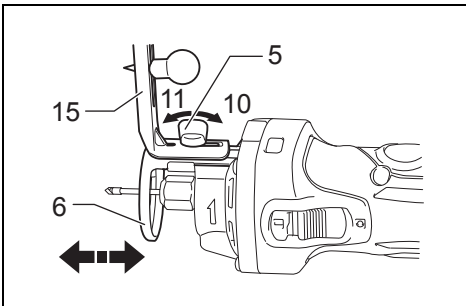
10 014871



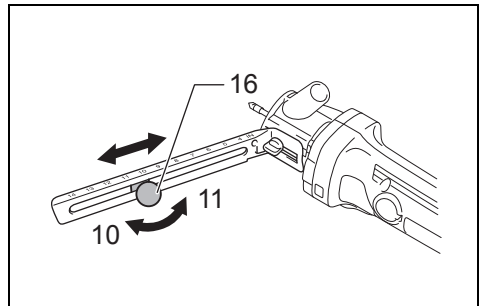
11 014865



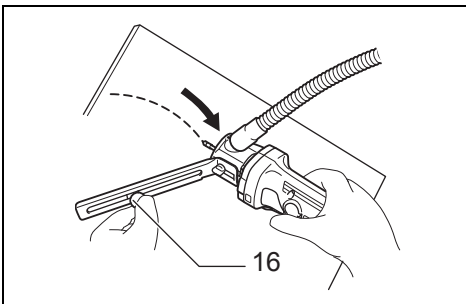
12 014866



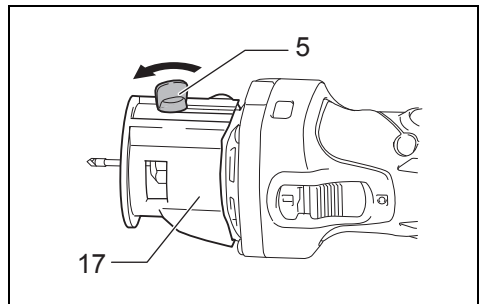
13 014867



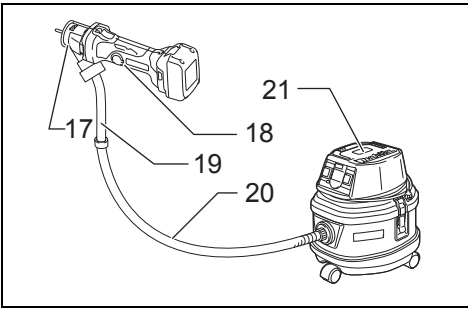
14 014863



15 014864

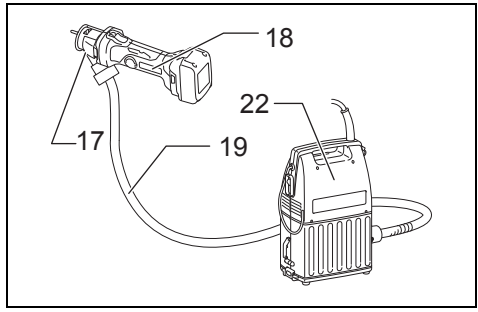


16 014851



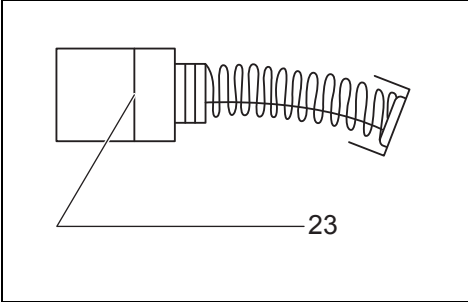
17

014859



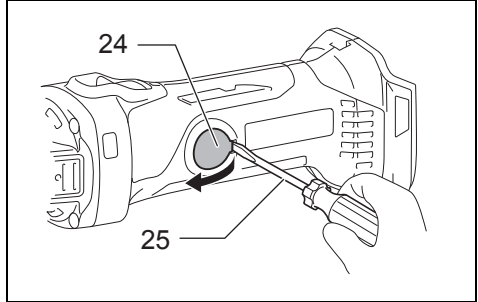
18

014860



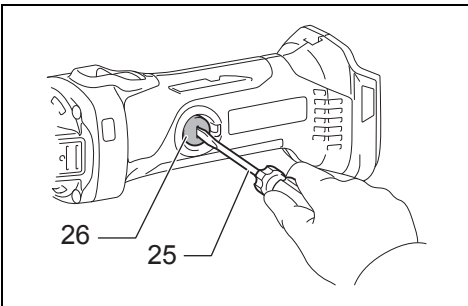
19

001145



20

014868



21

014869

Explanation of general view

1 Red indicator	10 Tighten	19 Hose 28
2 Button	11 Loosen	20 Hose for vacuum cleaner
3 Battery cartridge	12 Collet cone	21 Vacuum cleaner
4 Star marking	13 Bit	22 Dust collector
5 Thumb screw	14 Projections	23 Limit mark
6 Shoe	15 Circular guide	24 Holder cap cover
7 Slide switch	16 Knob	25 Screwdriver
8 Collet nut	17 Vacuum cover	26 Brush holder cap
9 Shaft lock	18 Tool	

SPECIFICATIONS

Model	DCO140	DCO180
Collet chuck capacity	3 mm, 6 mm or 1/8", 1/4"	3 mm, 6 mm or 1/8", 1/4"
Rated speed (n)/ No load speed (n ₀)	30,000 min ⁻¹	30,000 min ⁻¹
Overall length	313 mm	313 mm
Net weight	1.6 kg	1.7 kg
Rated voltage	D.C. 14.4 V	D.C. 18 V

- Due to our continuing program of research and development, the specifications herein are subject to change without notice.
- Specifications and battery cartridge may differ from country to country.
- Weight, with battery cartridge, according to EPTA-Procedure 01/2003

ENE012-1

Intended use

The tool is intended for cutting gypsum, wood, plastic and soft wall tiles.

GEA010-1

General Power Tool Safety Warnings

⚠ WARNING Read all safety warnings and all instructions. Failure to follow the warnings and instructions may result in electric shock, fire and/or serious injury.

Save all warnings and instructions for future reference.

GEB123-1

CORDLESS CUT-OUT TOOL SAFETY WARNINGS

1. **Hold power tool by insulated gripping surfaces, when performing an operation where the cutting accessory may contact hidden wiring.** Cutting accessory contacting a "live" wire may make exposed metal parts of the power tool "live" and could give the operator an electric shock.
2. **Use clamps or another practical way to secure and support the workpiece to a stable platform.** Holding the work by your hand or against the body leaves it unstable and may lead to loss of control.
3. **Wear eye protection and dust mask.**
4. **Ventilate your work area adequately.**
5. **Check the bit carefully for cracks or damage before operation. Replace cracked or damaged bit immediately.**

6. **Check for the proper clearance beneath the workpiece before cutting so that the bit will not strike a hard surface such as the floor, workbench, etc.**
7. **Do not cut metal objects such as nails and screws. Inspect for and remove all nails, screws and other foreign material from the workpiece before operation.**
8. **Check that the bit is not contacting the workpiece before the switch is turned on. Always hold the tool with two hands while switching the tool on. The motor torque can cause the tool to turn.**
9. **Before using the tool on an actual workpiece, let it run for a while. Watch for vibration or wobbling that could indicate improperly installed bit.**
10. **Make sure that the shaft lock is released before the switch is turned on.**
11. **Always use with the shoe securely attached to the tool and positioned flat and firmly against the workpiece.**
12. **Hold the tool firmly.**
13. **Do not perform any operation using your hands to support or guide the workpiece.**
14. **Keep hands away from moving parts.**
15. **Do not use this tool for drilling.**
16. **Do not leave the tool running. Operate the tool only when hand-held.**
17. **Always switch off and wait for the bit to come to a complete stop before removing the bit from workpiece.**
18. **Do not touch the bit or the workpiece immediately after operation; they may be extremely hot and could burn your skin.**
19. **Draw attention to the need to use cutters of the correct shank diameter and which are suitable for the speed of the tool.**

SAVE THESE INSTRUCTIONS.

⚠ WARNING:

DO NOT let comfort or familiarity with product (gained from repeated use) replace strict adherence to safety rules for the subject product. **MISUSE** or failure to follow the safety rules stated in this instruction manual may cause serious personal injury.

ENCC007-8

IMPORTANT SAFETY INSTRUCTIONS

FOR BATTERY CARTRIDGE

1. Before using battery cartridge, read all instructions and cautionary markings on (1) battery charger, (2) battery, and (3) product using battery.
2. Do not disassemble battery cartridge.
3. If operating time has become excessively shorter, stop operating immediately. It may result in a risk of overheating, possible burns and even an explosion.
4. If electrolyte gets into your eyes, rinse them out with clear water and seek medical attention right away. It may result in loss of your eyesight.
5. Do not short the battery cartridge:
 - (1) Do not touch the terminals with any conductive material.
 - (2) Avoid storing battery cartridge in a container with other metal objects such as nails, coins, etc.
 - (3) Do not expose battery cartridge to water or rain.

A battery short can cause a large current flow, overheating, possible burns and even a breakdown.

6. Do not store the tool and battery cartridge in locations where the temperature may reach or exceed 50°C (122°F).
7. Do not incinerate the battery cartridge even if it is severely damaged or is completely worn out. The battery cartridge can explode in a fire.
8. Be careful not to drop or strike battery.
9. Do not use a damaged battery.
10. Follow your local regulations relating to disposal of battery.

SAVE THESE INSTRUCTIONS.

Tips for maintaining maximum battery life

1. Charge the battery cartridge before completely discharged.
Always stop tool operation and charge the battery cartridge when you notice less tool power.
2. Never recharge a fully charged battery cartridge. Overcharging shortens the battery service life.
3. Charge the battery cartridge with room temperature at 10°C – 40°C (50°F – 104°F). Let a hot battery cartridge cool down before charging it.
4. Charge the battery cartridge once in every six months if you do not use it for a long period of time.

FUNCTIONAL DESCRIPTION

⚠ CAUTION:

- Always be sure that the tool is switched off and the battery cartridge is removed before adjusting or checking function on the tool.

Installing or removing battery cartridge (Fig. 1)

⚠ CAUTION:

- Always switch off the tool before installing or removing of the battery cartridge.
- **Hold the tool and the battery cartridge firmly when installing or removing battery cartridge.** Failure to hold the tool and the battery cartridge firmly may cause them to slip off your hands and result in damage to the tool and battery cartridge and a personal injury.

To remove the battery cartridge, slide it from the tool while sliding the button on the front of the cartridge.

To install the battery cartridge, align the tongue on the battery cartridge with the groove in the housing and slip it into place. Install it all the way until it locks in place with a little click. If you can see the red indicator on the upper side of the button, it is not locked completely.

⚠ CAUTION:

- Always install the battery cartridge fully until the red indicator cannot be seen. If not, it may accidentally fall out of the tool, causing injury to you or someone around you.
- Do not install the battery cartridge forcibly. If the cartridge does not slide in easily, it is not being installed correctly.

Battery protection system (Fig. 2)

The tool is equipped with a battery protection system. This system automatically cuts off power to the motor to extend battery life.

The tool will automatically stop during operation if the tool and/or battery are placed under one of the following conditions:

- Overloaded:
The tool is operated in a manner that causes it to draw an abnormally high current. In this situation, turn the tool off and stop the application that caused the tool to become overloaded. Then turn the tool on to restart. If the tool does not start, the battery is overheated. In this situation, let the battery cool before turning the tool on again.
- Low battery voltage:
The remaining battery capacity is too low and the tool will not operate. In this situation, remove and recharge the battery.

NOTE:

- The overheat protection works only with a battery cartridge with a star marking.

Adjusting depth of cut (Fig. 3)

To adjust the shoe, loosen the thumb screw. Slide the shoe to the desired position and then tighten the thumb screw securely. Check for the proper clearance beneath the workpiece before cutting not to strike a hard surface such as the floor, workbench, etc.

Switch action (Fig. 4)

CAUTION:

- Before installing the battery cartridge into the tool, always check to see that the slide switch actuates properly and returns to the "OFF" position when the rear of the slide switch is depressed.

To start the tool, slide the slide switch toward the "I (ON)" position. For continuous operation, press the front of the slide switch to lock it.

To stop the tool, press the rear of the slide switch, then slide it toward the "O (OFF)" position.

Accidental re-start preventive function

Even if the battery cartridge is installed on the tool with the slide switch in the "I (ON)" position, the tool does not start.

To start the tool, first slide the slide switch toward the "O (OFF)" position and then slide it toward the "I (ON)" position.

ASSEMBLY

CAUTION:

- Always be sure that the tool is switched off and the battery cartridge is removed before adjusting or checking function on the tool.

Installing or removing bit (Fig. 5)

CAUTION:

- Do not tighten the collet nut without installing a bit, or the collet cone may break.

Press the shaft lock to prevent shaft rotation when installing or removing the bit.

To install the bit, place it in the collet cone as far as it goes and then tighten the collet nut securely with the shoe as a wrench.

To remove the bit, follow the installation procedure in reverse.

Changing the collet cone (country specific) (Fig. 6)

CAUTION:

- Use the correct size collet cone for the bit which you intended to use.
- Do not tighten the collet nut without installing a bit, or the collet cone may break.

To change the collet cone, loosen the collet nut and remove. Remove the installed collet cone and replace with desired collet cone. Reinstall collet nut.

OPERATION

CAUTION:

- Avoid forcing the bit to bend or twist. It may snap.
- Before turning the tool on, make sure the bit and collet nut are securely tightened.

Hold the tool securely with the bit pointing in a safe direction not contacting any surface. Turn the tool on and wait until the tool reaches full speed. (Fig. 7)

When using the drywall guide bit into a drywall, carefully insert the bit straight until the shoe base contacts the material fully.

Move the tool slowly with a constant pressure in a clockwise direction to make the cut. (Fig. 8)

When cutting straight line, clamp a straight board firmly to the material and use it as a guide. Move the tool in the direction of the arrow with the shoe base flush with the side of the guide board.

When the cut is complete, turn the tool off and wait for the bit to stop rotating and then carefully remove it from the material.

NOTE:

- When using this tool, the rotating action causes the tool to pull. The less pressure applied to the tool causes less pull and provides a more accurate cut. Excessive pressure or fast cutting can cause the bit to dull or break prematurely.
- When cutting drywall around outlet boxes, cut in a counterclockwise direction for ease of cut.
- The standard bit included with this tool is for cutting drywall only. When cutting materials other than drywall, do not use the standard drywall guide bit.

Using multipurpose bit (optional accessory) (Fig. 9 & 10)

When using the multipurpose bit into the material, hold the tool at approximately a 45 degree angle with the edge of the shoe base contacting the material.

Bring the tool carefully to a straight position so the shoe base contacts the material fully.

Circular guide (optional accessory)

Circular cutting diameters: 10 cm – 34 cm

Installing circular guide (Fig. 11, 12 & 13)

Release the thumb screw which secures the shoe.

Align the projections in the circular guide with the grooves in the shoe, and secure the shoe and circular guide with the thumb screw.

To adjust the cutting depth, loose the thumb screw and then slide the shoe with the circular guide. After the proper adjustment, tighten the thumb screw securely.

Using circular guide (Fig. 14 & 15)

Loosen the knob, and adjust its position in accordance with the size of the circle to be cut. (The hole dimensions to be cut are indicated on the side of the circular guide as a general guideline.) After completion of the adjustment, tighten the knob securely.

Install the end of the knob into the center of the circle to be cut, and proceed to cut in a clockwise direction.

Vacuum cover (optional accessory) (Fig. 16, 17 & 18)

To perform cleaner operations, use the vacuum cover and connect the tool to Makita vacuum cleaner or dust collector.

Loosen the thumb screw and remove the shoe. Attach the vacuum cover, and fasten it securely with the thumb screw.

The circular guide (optional accessory) can be installed on the vacuum cover.

Connect the hose of a vacuum cleaner/dust collector to the vacuum cover. When connecting to Makita vacuum cleaner, use an optional hose 28 mm in inner diameter.

When connecting to Makita dust collector, connect the hose for the dust collector directly to the dust nozzle.

MAINTENANCE

ENG901-1

CAUTION:

- Always be sure that the tool is switched off and the battery cartridge is removed before attempting to perform inspection or maintenance.
- Never use gasoline, benzine, thinner, alcohol or the like. Discoloration, deformation or cracks may result.

Replacing carbon brushes (Fig. 19, 20 & 21)

Remove and check the carbon brushes regularly. Replace when they wear down to the limit mark. Keep the carbon brushes clean and free to slip in the holders. Both carbon brushes should be replaced at the same time. Use only identical carbon brushes.

Insert the top end of slotted bit screwdriver into the notch in the tool and remove the holder cap cover by lifting it up.

Use a screwdriver to remove the brush holder caps. Take out the worn carbon brushes, insert the new ones and secure the brush holder caps.

Reinstall the holder cap cover on the tool.

To maintain product SAFETY and RELIABILITY, repairs, any other maintenance or adjustment should be performed by Makita Authorized Service Centers, always using Makita replacement parts.

OPTIONAL ACCESSORIES

CAUTION:

- These accessories or attachments are recommended for use with your Makita tool specified in this manual. The use of any other accessories or attachments might present a risk of injury to persons. Only use accessory or attachment for its stated purpose.

If you need any assistance for more details regarding these accessories, ask your local Makita Service Center.

- Drywall guide bit
- Multi purpose bit
- Collet cone
- Wrench
- Circular guide
- Vacuum cover
- Makita genuine battery and charger

NOTE:

- Some items in the list may be included in the tool package as standard accessories. They may differ from country to country.

ENG905-1

Noise

The typical A-weighted noise level determined according to EN60745:

Sound pressure level (L_{pA}) : 77 dB (A)

Uncertainty (K) : 3 dB (A)

The noise level under working may exceed 80 dB (A).

Wear ear protection

ENG900-1

Vibration

The vibration total value (tri-axial vector sum) determined according to EN60745:

Work mode : rotation without load

Vibration emission (a_h) : 2.5 m/s² or less

Uncertainty (K) : 1.5 m/s²

- The declared vibration emission value has been measured in accordance with the standard test method and may be used for comparing one tool with another.
- The declared vibration emission value may also be used in a preliminary assessment of exposure.

WARNING:

- The vibration emission during actual use of the power tool can differ from the declared emission value depending on the ways in which the tool is used.
- Be sure to identify safety measures to protect the operator that are based on an estimation of exposure in the actual conditions of use (taking account of all parts of the operating cycle such as the times when the tool is switched off and when it is running idle in addition to the trigger time).

ENH101-17

For European countries only

EC Declaration of Conformity

Makita declares that the following Machine(s):

Designation of Machine:

Cordless Cut-Out Tool

Model No./ Type: DCO140, DCO180

Conforms to the following European Directives:

2006/42/EC

They are manufactured in accordance with the following Standard or standardized documents:

EN60745

The Technical file in accordance with 2006/42/EC is available from:

Makita, Jan-Baptist Vinkstraat 2, 3070, Belgium

27.9.2013



Yasushi Fukaya
Director

Makita, Jan-Baptist Vinkstraat 2, 3070, Belgium

Descriptif

1	Indicateur rouge	10	Serrer	19	Tuyau 28
2	Bouton	11	Desserrer	20	Tuyau d'aspirateur
3	Batterie	12	Douille de serrage	21	Aspirateur
4	Marque étoilée	13	Foret	22	Dispositif de collecte de poussières
5	Vis papillon	14	Parties saillantes	23	Repère d'usure
6	Sabot	15	Guide pour coupes circulaires	24	Bouchon du porte-charbon
7	Interrupteur à glissière	16	Bouton	25	Tournevis
8	Écrou de la douille de serrage	17	Capot d'aspiration	26	Bouchon du porte-charbon
9	Verrouillage de l'arbre	18	Outil		

SPÉCIFICATIONS

Modèle	DCO140	DCO180
Taille de la douille de serrage	3 mm, 6 mm ou 1/8", 1/4"	3 mm, 6 mm ou 1/8", 1/4"
Vitesse nominale (n) / Vitesse à vide (n ₀)	30 000 min ⁻¹	30 000 min ⁻¹
Longueur totale	313 mm	313 mm
Poids net	1,6 kg	1,7 kg
Tension nominale	14,4 V CC	18 V CC

- Étant donné l'évolution constante de notre programme de recherche et développement, les spécifications contenues dans ce manuel sont sujettes à modification sans préavis.
- Les spécifications et la batterie peuvent être différentes suivant les pays.
- Poids, avec la batterie, conformément à la procédure EPTA-01/2003

ENE012-1

Utilisations

L'outil est conçu pour découper les plaques de plâtre, le bois, le plastique et le carrelage mural souple.

GEA010-1

Consignes de sécurité générales pour outils électriques

⚠ AVERTISSEMENT Veuillez lire toutes les mises en garde et toutes les instructions. Il y a risque de choc électrique, d'incendie et/ou de blessure grave si les mises en garde et les instructions ne sont pas respectées.

Conservez toutes les mises en garde et instructions pour référence ultérieure.

GEB123-1

CONSIGNES DE SÉCURITÉ POUR DÉCOUPEUSE ROTATIVE SANS FIL

1. **Saisissez l'outil électrique par ses surfaces de poigne isolées lorsque vous effectuez des travaux au cours desquels l'accessoire tranchant peut entrer en contact avec des fils cachés.** Le contact de l'accessoire tranchant avec un fil sous tension peut également mettre sous tension les parties métalliques exposées de l'outil électrique, causant ainsi un choc électrique chez l'utilisateur.

2. **Utilisez des dispositifs de serrage ou autres moyens pratiques pour fixer et soutenir la pièce sur une surface stable.** La pièce sera instable et vous risquez d'en perdre la maîtrise si vous la tenez dans vos mains ou l'appuyez contre votre corps.
3. **Portez des protections pour les yeux et un masque anti-poussière.**
4. **Aérez bien la zone de travail.**
5. **Avant utilisation, assurez-vous que le foret n'est pas fissuré ni endommagé. Remplacez immédiatement un foret fissuré ou endommagé.**
6. **Avant la découpe, assurez-vous que le dégagement sous la pièce est suffisant pour que le foret ne heurte pas une surface dure (sol, établi, etc.).**
7. **Ne coupez pas d'objets métalliques tels que des vis ou des clous. Avant d'utiliser l'outil, inspectez la pièce et enlevez les clous, vis et autres corps étrangers qui pourraient s'y trouver.**
8. **Assurez-vous que le foret n'est pas en contact avec la pièce avant de mettre l'outil en marche. Tenez toujours l'outil à deux mains lorsque vous mettez l'outil en marche. Le couple du moteur risque de faire tourner l'outil.**
9. **Avant d'utiliser l'outil sur la pièce, laissez-le fonctionner un certain temps. Surveillez l'apparition de vibrations ou d'oscillations, qui peuvent indiquer une mauvaise installation du foret.**
10. **Assurez-vous que le dispositif de verrouillage de l'arbre est libéré avant de mettre l'outil en marche.**
11. **Utilisez toujours l'outil avec le sabot monté bien serré et fermement positionné à plat contre la pièce.**
12. **Tenez l'outil fermement.**
13. **N'utilisez jamais vos mains pour tenir ou guider la pièce.**
14. **Gardez les mains éloignées des pièces en mouvement.**

15. N'utilisez pas cet outil pour percer.
16. Ne vous éloignez pas en laissant l'outil tourner. Ne le faites fonctionner que lorsque vous l'avez bien en main.
17. Éteignez toujours l'outil et attendez l'arrêt complet du foret avant de le retirer de la pièce.
18. Ne touchez pas le foret ou la pièce immédiatement après l'exécution du travail ; ils peuvent être extrêmement chauds et vous brûler la peau.
19. Le diamètre de la queue des forets de découpe doit être correct et adapté à la vitesse de l'outil.

CONSERVEZ CES INSTRUCTIONS.

⚠ AVERTISSEMENT :

NE vous laissez PAS tromper (au fil d'une utilisation répétée) par un sentiment d'aisance et de familiarité avec le produit, en négligeant le respect rigoureux des consignes de sécurité qui accompagnent le produit en question. La MAUVAISE UTILISATION de l'outil ou l'ignorance des consignes de sécurité indiquées dans ce manuel d'instructions peut entraîner une blessure grave.

ENC007-8

IMPORTANTES CONSIGNES DE SÉCURITÉ

POUR LA BATTERIE

1. Avant d'utiliser la batterie, lisez toutes les instructions et précautions relatives (1) au chargeur de batterie, (2) à la batterie, et (3) à l'outil utilisant la batterie.
2. Ne démontez pas la batterie.
3. Si le temps de fonctionnement devient très court, cessez immédiatement l'utilisation. Autrement il y a risque de surchauffe, de brûlure, voire d'explosion.
4. Si de l'électrolyte pénètre dans vos yeux, rincez-les à l'eau claire et consultez immédiatement un médecin. Autrement il y a risque de blessure aux yeux.
5. Ne court-circuitez pas la batterie :
 - (1) Ne pas toucher les bornes avec un objet conducteur.
 - (2) Évitez de ranger la batterie dans un contenant avec d'autres objets métalliques tels que clous, pièces de monnaie, etc.
 - (3) Ne pas exposer la batterie à l'eau ou à la pluie.

Un court-circuit de la batterie pourrait provoquer un fort courant, une surchauffe, parfois des brûlures et même une panne.
6. Ne rangez pas l'outil ou la batterie dans des endroits où la température risque d'atteindre ou de dépasser 50 °C.
7. Ne jetez pas la batterie au feu même si elle est sérieusement endommagée ou complètement épuisée. La batterie peut exploser au contact du feu.
8. Prenez garde d'échapper ou de heurter la batterie.
9. N'utilisez pas une batterie abîmée.
10. La batterie doit être éliminée conformément aux réglementations locales en vigueur.

CONSERVEZ CES INSTRUCTIONS.

Conseils pour assurer la durée de vie optimale de la batterie

1. Rechargez la batterie avant qu'elle ne soit complètement déchargée. Arrêtez toujours l'outil et rechargez la batterie quand vous remarquez que la puissance de l'outil diminue.
2. Ne rechargez jamais une batterie complètement chargée. La surcharge réduit la durée de service de la batterie.
3. Chargez la batterie alors que la température de la pièce se trouve entre 10°C et 40°C. Avant de charger une batterie chaude, laissez-la refroidir.
4. Chargez la batterie tous les six mois si elle reste inutilisée pendant une période prolongée.

DESCRIPTION DU FONCTIONNEMENT

⚠ ATTENTION :

- Vérifiez toujours que l'outil est hors tension et que la batterie est retirée avant d'ajuster l'outil ou de vérifier son fonctionnement.

Pose ou retrait de la batterie (Fig. 1)

⚠ ATTENTION :

- Mettez toujours l'outil hors tension avant de poser ou de retirer la batterie.
- Lorsque vous posez ou retirez la batterie, tenez fermement l'outil et la batterie. Si vous ne tenez pas fermement l'outil et la batterie, ils risquent de s'abîmer en vous glissant des mains, et vous courez un risque de blessure corporelle.

Pour retirer la batterie, faites-la glisser hors de l'outil tout en faisant glisser le bouton qui se trouve à l'avant de la batterie.

Pour poser la batterie, alignez sa languette sur la rainure à l'intérieur du carter, et faites-la glisser en place. Insérez-la à fond, jusqu'à ce qu'elle se verrouille en place avec un léger clic. Si vous pouvez voir l'indicateur rouge du côté supérieur du bouton, la batterie n'est pas complètement verrouillée.

⚠ ATTENTION :

- Insérez toujours la batterie à fond, jusqu'à ce que l'indicateur rouge ne soit plus visible. Sinon, elle pourrait tomber accidentellement de l'outil, au risque de vous blesser ou de blesser quelqu'un se trouvant près de vous.
- Ne forcez pas pour insérer la batterie. Si elle ne glisse pas facilement, c'est que vous ne l'insérez pas correctement.

Dispositif de protection de la batterie (Fig. 2)

L'outil est équipé d'un dispositif de protection de la batterie.

Ce dispositif coupe automatiquement l'alimentation du moteur pour prolonger la durée de service de la batterie. Si l'outil ou la batterie se trouve dans l'une ou l'autre des situations suivantes, l'outil cessera automatiquement de fonctionner :

- Surchargé :

L'outil est utilisé de manière telle qu'il consomme un courant anormalement élevé.

Il faut alors mettre l'outil hors tension et arrêter l'application qui cause la surcharge. Remettez ensuite l'outil sous tension pour redémarrer.

Si l'outil ne démarre pas, cela signifie que la batterie est trop chaude. Il faut alors laisser refroidir la batterie avant de remettre l'outil sous tension.

- Faible tension de la batterie :

La charge restante de la batterie étant trop faible, l'outil ne fonctionne pas. Le cas échéant, retirez la batterie et rechargez-la.

NOTE :

- La protection contre la surchauffe ne fonctionne qu'avec une batterie portant une marque en forme d'étoile.

Réglage de la profondeur de coupe (Fig. 3)

Pour régler le sabot, desserrez la vis papillon. Faites glisser le sabot à la position souhaitée et serrez fermement la vis papillon. Avant la découpe, assurez-vous que le dégagement sous la pièce est suffisant pour ne pas heurter une surface dure (sol, établi, etc.).

Interrupteur (Fig. 4)

⚠ ATTENTION :

- Avant d'installer la batterie, vérifiez toujours que l'interrupteur à glissière fonctionne correctement et revient sur la position d'arrêt (OFF) lorsque vous appuyez sur l'arrière de l'interrupteur à glissière.

Pour faire démarrer l'outil, poussez l'interrupteur à glissière sur la position « I (Marche) ». Pour un fonctionnement continu, appuyez sur l'avant de l'interrupteur à glissière pour le verrouiller.

Pour arrêter l'outil, appuyez sur l'arrière de l'interrupteur à glissière, puis poussez-le sur la position « O (Arrêt) ».

Fonction de prévention des redémarrages accidentels

Même si la batterie est installée sur l'outil avec l'interrupteur à glissière en position de marche « I (Marche) », l'outil ne démarre pas.

Pour démarrer l'outil, mettez d'abord l'interrupteur à glissière en position d'arrêt « O (Arrêt) » puis en position de marche « I (Marche) ».

ASSEMBLAGE

⚠ ATTENTION :

- Vérifiez toujours que l'outil est hors tension et que la batterie est retirée avant d'ajuster l'outil ou de vérifier son fonctionnement.

Pose ou retrait du foret (Fig. 5)

⚠ ATTENTION :

- Ne serrez pas l'écrou de la douille de serrage sans installer de foret, sous peine de casser la douille de serrage.

Avant de poser ou de retirer le foret, appuyez sur le dispositif de verrouillage de l'arbre pour empêcher l'arbre de tourner.

Pour installer le foret, insérez-le à fond dans la douille de serrage puis serrez fermement l'écrou de la douille de serrage en utilisant le sabot comme une clé.

Pour retirer le foret, inversez les étapes de la procédure d'installation.

Changement de la douille de serrage (selon le pays) (Fig. 6)

⚠ ATTENTION :

- La taille de la douille de serrage doit être adaptée au foret que vous voulez utiliser.
- Ne serrez pas l'écrou de la douille de serrage sans installer de foret, sous peine de casser la douille de serrage.

Pour changer la douille de serrage, desserrez l'écrou de la douille de serrage et retirez-le. Retirez la douille de serrage déjà installée et remplacez-la par celle de votre choix. Remettez en place l'écrou de la douille de serrage.

UTILISATION

⚠ ATTENTION :

- Évitez de forcer sur le foret pour le courber ou le tordre. Vous risquez de le casser.
- Avant de mettre l'outil en marche, assurez-vous que le foret et l'écrou de la douille de serrage sont bien serrés.

Tenez fermement l'outil en dirigeant le foret dans une direction sûre, sans toucher de surface. Mettez l'outil en marche et attendez qu'il ait atteint sa pleine vitesse. (Fig. 7)

Lorsque vous utilisez le foret guide pour cloison sèche dans une cloison sèche, enfoncez le foret avec précaution jusqu'à ce que la base du sabot soit entièrement en contact avec le matériau.

Déplacez l'outil doucement dans le sens des aiguilles d'une montre en maintenant une pression constante pour effectuer la découpe. (Fig. 8)

Lorsque vous coupez en ligne droite, fixez solidement une planche droite au matériau et utilisez-la comme guide. Déplacez l'outil dans le sens de la flèche en maintenant la base du sabot contre le bord de la planche guide.

Lorsque la coupe est terminée, arrêtez l'outil, attendez que le foret arrête de tourner puis retirez-le avec précaution du matériau.

NOTE :

- Lorsque vous utilisez cet outil, le mouvement de rotation entraîne une traction de l'outil. Réduire la pression exercée sur l'outil réduit aussi la traction de l'outil, et permet une coupe plus précise. Une pression excessive ou une découpe rapide peuvent entraîner un émoussement ou une rupture prématurés du foret.
- Lorsque vous effectuez une découpe autour de boîtes à prises dans une cloison sèche, tournez dans le sens inverse des aiguilles d'une montre pour faciliter le travail.
- Le foret standard fourni avec cet outil est destiné uniquement à la découpe de cloisons sèches. Lorsque vous découpez d'autres matériaux que des cloisons sèches, n'utilisez pas le foret guide standard pour cloison sèche.

Utilisation d'un foret polyvalent (accessoire en option) (Fig. 9 et 10)

Lorsque vous utilisez le foret polyvalent, tenez l'outil incliné selon un angle d'environ 45°, le bord de la base du sabot étant en contact avec le matériau.

Amenez ensuite avec précaution l'outil en position verticale, afin que la base du sabot soit entièrement en contact avec le matériau.

Guide pour coupes circulaires (accessoire en option)

Diamètres de coupe circulaire : 10 cm – 34 cm

Installation du guide pour coupes circulaires (Fig. 11, 12 et 13)

Desserrez la vis papillon maintenant le sabot.

Alignez les parties saillantes du guide pour coupes circulaires avec les rainures du sabot, et assemblez le sabot et le guide pour coupes circulaires avec la vis papillon.

Pour régler la profondeur de coupe, desserrez la vis papillon puis faites glisser le sabot au moyen du guide pour coupes circulaires. Une fois le réglage effectué, resserrez fermement la vis papillon.

Utilisation du guide pour coupes circulaires (Fig. 14 et 15)

Desserrez la molette et réglez sa position en fonction de la taille du cercle à découper. (Les dimensions du trou à découper figurent à titre indicatif sur le côté du guide pour coupes circulaires.) Une fois le réglage effectué, serrez fermement la molette.

Placez l'extrémité de la molette au centre du cercle à découper et effectuez la coupe dans le sens des aiguilles d'une montre.

Capot d'aspiration (accessoire en option) (Fig. 16, 17 et 18)

Pour travailler plus proprement, utilisez le capot d'aspiration et raccordez l'outil à un aspirateur ou à un dispositif de collecte de poussières Makita.

Desserrez la vis papillon et retirez le sabot. Installez le capot d'aspiration et fixez-le fermement avec la vis papillon.

Le guide pour coupes circulaires (accessoire en option) peut être installé sur le capot d'aspiration.

Raccordez le tuyau d'un aspirateur/dispositif de collecte de poussières au capot d'aspiration. Lorsque vous raccordez l'outil à un aspirateur Makita, utilisez un tuyau (en option) de diamètre intérieur 28 mm.

Lorsque vous raccordez l'outil à un dispositif de collecte de poussières Makita, raccordez le tuyau de ce dispositif directement au raccord à poussières.

ENTRETIEN

⚠ ATTENTION :

- Avant d'effectuer tout travail d'inspection ou de maintenance non mentionné dans la section de dépannage suivante concernant la lampe, assurez-vous toujours que l'outil est hors tension et que la batterie est retirée.
- N'utilisez jamais d'essence, benzine, diluant, alcool ou autre produit similaire. Cela risquerait de provoquer la décoloration, la déformation ou la fissuration de l'outil.

Remplacement des charbons (Fig. 19, 20 et 21)

Retirez et vérifiez régulièrement les charbons. Remplacez-les lorsqu'ils sont usés jusqu'au repère d'usure. Maintenez les charbons propres et en état de glisser aisément dans les porte-charbon. Les deux charbons doivent être remplacés en même temps. N'utilisez que des charbons identiques.

Insérez l'extrémité d'un tournevis plat dans l'encoche située sur l'outil et retirez le bouchon du porte-charbon en le soulevant.

Retirez les bouchons de porte-charbon à l'aide d'un tournevis. Enlevez les charbons usés, insérez les charbons neufs et revissez solidement les bouchons de porte-charbon.

Réinstallez le bouchon du porte-charbon sur l'outil.

Pour maintenir la SÉCURITÉ et la FIABILITÉ du produit, les réparations, travaux d'entretien et autres réglages doivent être effectués dans un centre de service Makita agréé, exclusivement avec des pièces de rechange Makita.

ACCESSOIRES EN OPTION

⚠ ATTENTION :

- Ces accessoires ou pièces complémentaires sont recommandés pour l'utilisation avec l'outil Makita spécifié dans ce mode d'emploi. L'utilisation de tout autre accessoire ou pièce complémentaire peut comporter un risque de blessure. N'utilisez les accessoires ou pièces qu'aux fins auxquelles ils ont été conçus.

Si vous désirez obtenir plus de détails concernant ces accessoires, veuillez contacter le centre de service après-vente Makita le plus près.

- Foret guide pour cloison sèche
- Foret polyvalent
- Douille de serrage
- Clé
- Guide pour coupes circulaires
- Capot d'aspiration
- Batterie et chargeur Makita authentiques

NOTE :

- Il se peut que certains éléments de la liste soient compris dans l'emballage de l'outil en tant qu'accessoires standard. Ils peuvent varier d'un pays à l'autre.

ENG905-1

Bruit

Niveau de bruit pondéré A typique, déterminé selon EN60745 :

Niveau de pression sonore (L_{pA}) : 77 dB (A)

Incertitude (K) : 3 dB (A)

Le niveau de bruit en fonctionnement peut dépasser 80 dB (A).

Porter des protecteurs anti-bruit

Vibrations

Valeur totale de vibrations (somme de vecteur triaxial) déterminée selon EN60745 :

Mode de travail : rotation à vide

Émission de vibrations (a_h) : 2,5 m/s² ou moins

Incertitude (K) : 1,5 m/s²

ENG901-1

- La valeur d'émission de vibrations déclarée a été mesurée conformément à la méthode de test standard et peut être utilisée pour comparer les outils entre eux.
- La valeur d'émission de vibrations déclarée peut aussi être utilisée pour l'évaluation préliminaire de l'exposition.

⚠ AVERTISSEMENT :

- L'émission de vibrations lors de l'usage réel de l'outil électrique peut être différente de la valeur d'émission déclarée, suivant la façon dont l'outil est utilisé.
- Les mesures de sécurité à prendre pour protéger l'utilisateur doivent être basées sur une estimation de l'exposition dans des conditions réelles d'utilisation (en tenant compte de toutes les composantes du cycle d'utilisation, comme par exemple le moment de sa mise hors tension, lorsqu'il tourne à vide et le moment de son déclenchement).

ENH101-17

Pour les pays d'Europe uniquement**Déclaration de conformité CE**

Makita déclare que la (les) machine(s) suivante(s) :

Désignation de la machine :

Découpeuse Rotative Sans Fil

N° de modèle / Type : DCO140, DCO180

sont conformes aux directives européennes suivantes :

2006/42/CE

et qu'elles sont fabriquées conformément aux normes ou documents normalisés suivants :

EN60745

La documentation technique conforme à la norme 2006/42/CE est disponible auprès de :

Makita, Jan-Baptist Vinkstraat 2, 3070, Belgique

27.9.2013



Yasushi Fukaya
Directeur

Makita, Jan-Baptist Vinkstraat 2, 3070, Belgique

Übersicht

1 Rote Anzeige	10 Anziehen	19 Schlauch 28
2 Knopf	11 Lösen	20 Schlauch für Sauggerät
3 Akku	12 Spannzangenkonus	21 Sauggerät
4 Sternsymbol	13 Einsatz	22 Staubsammler
5 Flügelschraube	14 Vorsprünge	23 Verschleißgrenze
6 Schuh	15 Kreisführung	24 Halterkappenabdeckung
7 Schiebeschalter	16 Knopf	25 Schraubendreher
8 Spannzangenmutter	17 Absaugungsadapter	26 Bürstenhalterkappe
9 Spindelarreterung	18 Werkzeug	

TECHNISCHE DATEN

Modell	DCO140	DCO180
Spannzangenfutterkapazität	3 mm, 6 mm oder 1/8", 1/4"	3 mm, 6 mm oder 1/8", 1/4"
Nennndrehzahl (n) / Leerlaufdrehzahl (n ₀)	30 000 min ⁻¹	30 000 min ⁻¹
Gesamtlänge	313 mm	313 mm
Nettogewicht	1,6 kg	1,7 kg
Nennspannung	DC 14,4 V	DC 18 V

- Aufgrund unseres Dauerprogramms der Forschung und Entwicklung unterliegen die hier angegebenen technischen Daten Änderung ohne Vorankündigung.
- Die technischen Daten und der Akku können von Land zu Land unterschiedlich sein.
- Gewicht mit Akku nach EPTA-Verfahren 01/2003

ENE012-1

Vorgesehene Verwendung

Dieses Werkzeug ist für das Schneiden von Gips, Holz, Kunststoff und weichen Wandfliesen vorgesehen.

GEA010-1

Allgemeine Sicherheitswarnungen für Elektrowerkzeuge

⚠️ WARNUNG Lesen Sie alle Sicherheitswarnungen und Anweisungen durch. Eine Missachtung der unten aufgeführten Warnungen und Anweisungen kann zu einem elektrischen Schlag, Brand und/oder schweren Verletzungen führen.

Bewahren Sie alle Warnungen und Anweisungen für spätere Bezugnahme auf.

GEB123-1

SICHERHEITSWARNUNGEN FÜR AKKU-ROTATIONSSCHNEIDER

1. Halten Sie das Elektrowerkzeug an den isolierten Griffflächen, wenn Sie Arbeiten ausführen, bei denen die Gefahr besteht, dass das Schneidwerkzeug verborgene Kabel kontaktiert. Bei Kontakt mit einem Strom führenden Kabel können die freiliegenden Metallteile des Elektrowerkzeugs ebenfalls Strom führend werden, so dass der Benutzer einen elektrischen Schlag erleiden kann.

2. **Verwenden Sie Klemmen oder eine andere praktische Methode, um das Werkstück auf einer stabilen Unterlage zu sichern und abzustützen.** Wenn Sie das Werkstück nur mit der Hand oder gegen Ihren Körper halten, befindet es sich in einer instabilen Lage, die zum Verlust der Kontrolle führen kann.
3. **Tragen Sie einen Augenschutz und eine Staubmaske.**
4. **Sorgen Sie für angemessene Belüftung Ihres Arbeitsbereichs.**
5. **Überprüfen Sie den Einsatz vor dem Betrieb sorgfältig auf Risse oder Beschädigung. Wechseln Sie einen gerissenen oder beschädigten Einsatz unverzüglich aus.**
6. **Vergewissern Sie sich vor dem Schneiden, dass genügend Platz unter dem Werkstück vorhanden ist, damit der Einsatz nicht auf eine harte Oberfläche, wie z. B. den Boden, die Werkbank usw. trifft.**
7. **Schneiden Sie keine Metallgegenstände, wie z. B. Nägel oder Schrauben. Untersuchen Sie das Werkstück sorgfältig auf Nägel, Schrauben und sonstige Fremdkörper, und entfernen Sie diese vor der Bearbeitung.**
8. **Vergewissern Sie sich vor dem Einschalten des Werkzeugs, dass der Einsatz nicht das Werkstück berührt. Halten Sie das Werkzeug beim Einschalten stets mit beiden Händen. Das Motordrehmoment kann eine Drehung des Werkzeugs verursachen.**
9. **Lassen Sie das Werkzeug vor der eigentlichen Bearbeitung eines Werkstücks eine Weile laufen. Achten Sie auf Vibrationen oder Taumelbewegungen, die auf einen falsch montierten Einsatz hindeuten können.**
10. **Vergewissern Sie sich vor dem Einschalten des Werkzeugs, dass die Spindelarreterung gelöst ist.**

11. Benutzen Sie das Werkzeug immer mit sicher angebrachtem Schuh, und setzen Sie das Werkstück flach und fest auf das Werkstück auf.
12. Halten Sie das Werkzeug mit festem Griff.
13. Führen Sie keine Vorgänge durch, bei denen Sie das Werkstück mit Ihren Händen abstützen oder führen.
14. Halten Sie die Hände von beweglichen Teilen fern.
15. Benutzen Sie dieses Werkzeug nicht zum Bohren.
16. Lassen Sie das Werkzeug nicht unbeaufsichtigt laufen. Benutzen Sie das Werkzeug nur mit Handhaltung.
17. Schalten Sie das Werkzeug stets aus, und warten Sie, bis der Einsatz zum vollständigen Stillstand kommt, bevor Sie ihn aus dem Werkstück herausnehmen.
18. Vermeiden Sie eine Berührung des Einsatzes oder des Werkstücks unmittelbar nach der Bearbeitung, weil die Teile noch sehr heiß sind und Hautverbrennungen verursachen können.
19. Achten Sie unbedingt darauf, dass nur Fräser mit korrektem Schaftdurchmesser verwendet werden, die für die Drehzahl des Werkzeugs geeignet sind.

BEWAHREN SIE DIESE HINWEISE SORGFÄLTIG AUF.

⚠️ WARNUNG:

Lassen Sie sich NICHT durch Bequemlichkeit oder Vertrautheit mit dem Produkt (durch wiederholten Gebrauch erworben) von der strikten Einhaltung der Sicherheitsregeln für das vorliegende Produkt abhalten. MISSBRAUCH oder Missachtung der Sicherheitsvorschriften in dieser Anleitung können schwere Verletzungen verursachen.

ENC007-8

WICHTIGE SICHERHEITSVORSCHRIFTEN FÜR AKKU

1. Lesen Sie vor der Benutzung des Akkus alle Anweisungen und Warnhinweise, die an (1) Ladegerät, (2) Akku und (3) Akkuwerkzeug angebracht sind.
2. Unterlassen Sie ein Zerlegen des Akkus.
3. Falls die Betriebszeit beträchtlich kürzer geworden ist, stellen Sie den Betrieb sofort ein. Andernfalls besteht die Gefahr von Überhitzung, möglichen Verbrennungen und sogar einer Explosion.
4. Falls Elektrolyt in Ihre Augen gelangt, waschen Sie sie mit sauberem Wasser aus, und begeben Sie sich unverzüglich in ärztliche Behandlung. Andernfalls können Sie Ihre Sehkraft verlieren.
5. Der Akku darf nicht kurzgeschlossen werden:
 - (1) Die Kontakte dürfen nicht mit leitfähigem Material berührt werden.
 - (2) Lagern Sie den Akku nicht in einem Behälter zusammen mit anderen Metallgegenständen, wie z. B. Nägeln, Münzen usw.
 - (3) Setzen Sie den Akku weder Wasser noch Regen aus.

- Ein Kurzschluss des Akkus verursacht starken Stromfluss, der Überhitzung, Verbrennungen und einen Defekt zur Folge haben kann.
6. Lagern Sie Maschine und Akku nicht an Orten, an denen die Temperatur 50°C erreichen oder überschreiten kann.
7. Versuchen Sie niemals, den Akku zu verbrennen, selbst wenn er stark beschädigt oder vollkommen verbraucht ist. Der Akku kann im Feuer explodieren.
8. Achten Sie darauf, dass der Akku nicht fallen gelassen oder Stößen ausgesetzt wird.
9. Benutzen Sie keine beschädigten Akkus.
10. Befolgen Sie die örtlichen Bestimmungen bezüglich der Entsorgung von Akkus.

BEWAHREN SIE DIESE HINWEISE SORGFÄLTIG AUF.

Hinweise zur Aufrechterhaltung der maximalen Akku-Nutzungsdauer

1. Laden Sie den Akku, bevor er vollkommen erschöpft ist. Schalten Sie die Maschine stets aus, und laden Sie den Akku, wenn Sie ein Nachlassen der Maschinenleistung feststellen.
2. Unterlassen Sie das erneute Laden eines voll aufgeladenen Akkus. Überladen führt zu einer Verkürzung der Nutzungsdauer des Akkus.
3. Laden Sie den Akku bei Raumtemperatur zwischen 10°C – 40°C. Lassen Sie einen heißen Akku abkühlen, bevor Sie ihn laden.
4. Laden Sie den Akku bei längerer Nichtbenutzung alle sechs Monate nach.

FUNKTIONSBESCHREIBUNG

⚠️ VORSICHT:

- Vergewissern Sie sich vor der Durchführung von Einstellungen oder Funktionsprüfungen das Werkzeug stets, dass das Werkzeug ausgeschaltet und der Akku abgenommen ist.

Anbringen und Abnehmen des Akkus (Abb. 1)

⚠️ VORSICHT:

- Schalten Sie stets das Werkzeug aus, bevor Sie den Akku anbringen oder abnehmen.
- Halten Sie Werkzeug und Akku beim Anbringen oder Abnehmen des Akkus sicher fest. Wenn Sie Werkzeug und Akku nicht sicher festhalten, können sie Ihnen aus der Hand rutschen, was zu einer Beschädigung des Werkzeug und des Akkus und zu Körperverletzungen führen kann.

Ziehen Sie den Akku zum Abnehmen von das Werkzeug ab, während Sie den Knopf an der Vorderseite des Akkus verschieben.

Richten Sie zum Anbringen des Akkus dessen Führungsfeder auf die Nut im Gehäuse aus, und schieben Sie den Akku hinein. Schieben Sie ihn vollständig ein, bis er mit einem leisen Klicken einrastet. Falls die rote Anzeige an der Oberseite des Knopfes sichtbar ist, ist der Akku-Adapter nicht vollständig verriegelt.

VORSICHT:

- Schieben Sie den Akku stets bis zum Anschlag ein, bis die rote Anzeige nicht mehr sichtbar ist. Anderenfalls kann er aus das Werkzeug herausfallen und Sie oder umstehende Personen verletzen.
- Unterlassen Sie Gewaltanwendung beim Anbringen des Akkus. Falls der Akku nicht reibungslos hineingeht, ist er nicht richtig ausgerichtet.

Akku-Schutzsystem (Abb. 2)

Das Werkzeug ist mit einem Akku-Schutzsystem ausgestattet.

Dieses System schaltet die Stromversorgung des Motors automatisch ab, um die Akku-Lebensdauer zu verlängern.

Das Werkzeug schaltet sich während des Betriebs automatisch ab, wenn Werkzeug und/oder Akku einer der folgenden Bedingungen unterliegen:

• Überlastung:

Das Werkzeug wird auf eine Weise benutzt, die eine ungewöhnlich hohe Stromaufnahme bewirkt.

Schalten Sie in dieser Situation das Werkzeug aus, und brechen Sie die Arbeit ab, die eine Überlastung des Werkzeugs verursacht hat. Schalten Sie dann das Werkzeug wieder ein, um die Arbeit fortzusetzen.

Falls das Werkzeug nicht startet, ist der Akku überhitzt. Lassen Sie den Akku in dieser Situation abkühlen, bevor Sie das Werkzeug wieder einschalten.

• Niedrige Akkuspannung:

Die Akku-Restkapazität ist zu niedrig, und das Werkzeug funktioniert nicht. Nehmen Sie in dieser Situation den Akku ab, und laden Sie ihn auf.

HINWEIS:

- Der Überhitzungsschutz funktioniert nur mit Akkus, die mit einem Sternsymbol gekennzeichnet sind.

Einstellen der Schnitttiefe (Abb. 3)

Lösen Sie die Flügelschraube, um den Schuh einzustellen. Schieben Sie den Schuh auf die gewünschte Position, und ziehen Sie dann die Flügelschraube fest. Vergewissern Sie sich vor dem Schneiden, dass genügend Platz unter dem Werkstück vorhanden ist, damit der Einsatz nicht auf eine harte Oberfläche, wie z. B. den Boden, die Werkbank usw. trifft.

Schalterfunktion (Abb. 4)

VORSICHT:

- Bevor Sie den Akku in das Werkzeug einsetzen, sollten Sie sich stets vergewissern, dass der Schiebeshalter ordnungsgemäß funktioniert und beim Drücken der Rückseite in die AUS-Stellung zurückkehrt.

Zum Einschalten das Werkzeug den Schalter auf die Position "I (EIN)" schieben. Für Dauerbetrieb rasten Sie den Schalter durch Drücken seiner Vorderseite ein.

Zum Ausschalten des Werkzeugs die Rückseite des Schiebeshalters drücken, und dann den Schalter auf die Stellung "O (AUS)" schieben.

Funktion zur Verhütung eines versehentlichen Wiederanlaufs

Das Werkzeug startet nicht, selbst wenn der Akku in der Position "I (EIN)" des Schiebeshalters am Werkzeug angebracht wird.

Um das Werkzeug zu starten, schieben Sie den Schiebeshalter zuerst auf die Position "O (AUS)" und dann auf die Position "I (EIN)".

MONTAGE

VORSICHT:

- Vergewissern Sie sich vor der Durchführung von Einstellungen oder Funktionsprüfungen das Werkzeug stets, dass die Maschine ausgeschaltet und der Akku abgenommen ist.

Anbringen und Abnehmen des Einsatzes (Abb. 5)

VORSICHT:

- Ziehen Sie die Spannzangenmutter nicht an, ohne dass ein Einsatz eingesetzt ist, weil sonst der Spannzangenkonus brechen kann.

Drücken Sie die Spindelarretierung, damit sich die Spindel beim Anbringen und Abnehmen des Einsatzes nicht dreht.

Zum Anbringen führen Sie den Einsatz bis zum Anschlag in den Spannzangenkonus ein, und ziehen Sie dann die Spannzangenmutter mit dem Schuh als Schraubenschlüssel fest.

Zum Abnehmen des Einsatzes wenden Sie das Montageverfahren umgekehrt an.

Austauschen des Spannzangenkonus (länderspezifisch) (Abb. 6)

VORSICHT:

- Verwenden Sie einen Spannzangenkonus der korrekten Größe für den zu benutzenden Einsatz.
- Ziehen Sie die Spannzangenmutter nicht an, ohne dass ein Einsatz eingesetzt ist, weil sonst der Spannzangenkonus brechen kann.

Zum Austauschen des Spannzangenkonus die Spannzangenmutter lösen und abnehmen. Nehmen Sie den montierten Spannzangenkonus ab, und ersetzen Sie ihn durch das gewünschte Teil. Bringen Sie die Spannzangenmutter wieder an.

BETRIEB

VORSICHT:

- Vermeiden Sie gewaltsames Biegen oder Drehen des Einsatzes. Er könnte sonst abbrechen.
- Vergewissern Sie sich vor dem Einschalten des Werkzeugs stets, dass Einsatz und Spannzangenmutter fest angezogen sind.

Halten Sie das Werkzeug gut fest, während der Einsatz in eine sichere Richtung weist und keine Oberfläche berührt. Schalten Sie das Werkzeug ein, und warten Sie, bis es die volle Drehzahl erreicht. **(Abb. 7)**

Wenn Sie einen Gipskartonplatten-Führungseinsatz benutzen, führen Sie den Einsatz sorgfältig gerade ein, bis die Schuhsole voll auf dem Material aufliegt.

Bewegen Sie das Werkzeug mit konstantem Druck langsam im Uhrzeigersinn, um den Schnitt auszuführen. **(Abb. 8)**

Um eine gerade Linie zu schneiden, klemmen Sie eine gerade Leiste fest am Material an, und verwenden Sie diese als Führung. Schieben Sie das Werkzeug in Pfeilrichtung vor, während die Schuhsohle eng an der Seitenkante der Führungsleiste anliegt.

Wenn der Schnitt beendet ist, schalten Sie das Werkzeug aus, und warten Sie, bis der Einsatz zum Stillstand kommt, bevor Sie ihn vorsichtig aus dem Material herausnehmen.

HINWEIS:

- Wenn dieses Werkzeug benutzt wird, bewirkt die Drehbewegung einen Zieheffekt des Werkzeugs. Je weniger Druck auf das Werkzeug ausgeübt wird, desto weniger zieht das Werkzeug, und desto genauer wird der Schnitt ausgeführt. Übermäßiger Druck oder zu schnelles Schneiden kann zu vorzeitigem Abstumpfen oder Bruch des Einsatzes führen.
- Wenn Sie Löcher in Gipskartonplatten um Steckdosen herum ausschneiden, führen Sie das Werkzeug entgegen dem Uhrzeigersinn, um den Schnitt zu erleichtern.
- Der im Lieferumfang dieses Werkzeugs enthaltene Standardeinsatz ist nur zum Schneiden von Gipskartonplatten vorgesehen. Wenn Sie andere Materialien außer Gipskartonplatten schneiden, verwenden Sie den standardmäßigen Gipskartonplatten-Führungseinsatz nicht.

Verwendung eines Mehrzweckesatzes (Sonderzubehör) (Abb. 9 und 10)

Wenn Sie den Mehrzweckesatz zum Schneiden von Material verwenden, halten Sie das Werkzeug in einem Winkel von etwa 45 Grad, so dass der Rand der Schuhsohle das Material berührt.

Bringen Sie das Werkzeug allmählich in eine gerade Position, so dass die Schuhsohle voll auf dem Material aufliegt.

Kreisführung (Sonderzubehör)

Kreisschnittdurchmesser: 10 cm – 34 cm

Montieren der Kreisführung (Abb. 11, 12 und 13)

Lösen Sie die Flügelschraube, die den Schuh sichert.

Richten Sie die Vorsprünge an der Kreisführung auf die Nuten im Schuh aus, und sichern Sie Schuh und Kreisführung mit der Flügelschraube.

Zum Einstellen der Schnitttiefe die Flügelschraube lösen, und dann den Schuh mit der Kreisführung verschieben. Ziehen Sie die Flügelschraube nach der korrekten Einstellung wieder fest.

Verwendung der Kreisführung (Abb. 14 und 15)

Lösen Sie den Knopf, und stellen Sie seine Position entsprechend der Größe des zu schneidenden Kreises ein. (Die Maße des zu schneidenden Lochs sind als allgemeine Richtlinie an der Seite der Kreisführung angegeben.) Nach Abschluss der Einstellung den Knopf wieder festziehen.

Setzen Sie die Knospitze in die Mitte des zu schneidenden Kreises ein, und führen Sie den Schnitt im Uhrzeigersinn aus.

Absaugungsadapter (Sonderzubehör) (Abb. 16, 17 und 18)

Um sauberer zu arbeiten, verwenden Sie den Absaugungsadapter, und schließen Sie das Werkzeug an ein Makita-Sauggerät oder einen Staubsammler an.

Lösen Sie die Flügelschraube, und nehmen Sie den Schuh ab. Bringen Sie den Absaugungsadapter an, und befestigen Sie ihn einwandfrei mit der Flügelschraube.

Die Kreisführung (Sonderzubehör) kann am Absaugungsadapter angebracht werden.

Schließen Sie den Schlauch eines Sauggerätes/Staubsammlers an den Absaugungsadapter an. Für den Anschluss an ein Makita-Sauggerät wird ein optionaler Schlauch von 28 mm Innendurchmesser benötigt.

Wenn Sie das Werkzeug mit einem Makita-Staubsammler verbinden, schließen Sie den Schlauch für den Staubsammler direkt an den Absaugstutzen an.

WARTUNG

⚠ VORSICHT:

- Vergewissern Sie sich vor der Durchführung von Inspektions- oder Wartungsarbeiten stets, dass die Maschine ausgeschaltet und der Akku abgenommen ist, außer im Falle der folgenden, auf das Licht bezogenen, Fehlersuche.
- Verwenden Sie auf keinen Fall Benzin, Benzol, Verdünnern, Alkohol oder dergleichen. Solche Mittel können Verfärbung, Verformung oder Rissbildung verursachen.

Auswechseln der Kohlebürsten (Abb. 19, 20 und 21)

Die Kohlebürsten müssen regelmäßig entfernt und überprüft werden. Wenn sie bis zur Verschleißgrenze abgenutzt sind, müssen sie erneuert werden. Halten Sie die Kohlebürsten stets sauber, damit sie ungehindert in den Haltern gleiten können. Beide Kohlebürsten sollten gleichzeitig erneuert werden. Verwenden Sie nur identische Kohlebürsten.

Führen Sie die Spitze eines Schlitzschraubendrehers in die Kerbe des Werkzeugs ein, und entfernen Sie die Halterkappenabdeckung durch Anheben.

Die Bürstenhalterkappen mit einem Schraubendreher herausdrehen. Die abgenutzten Kohlebürsten herausnehmen, die neuen einsetzen, und dann die Bürstenhalterkappen wieder eindrehen.

Bringen Sie die Halterkappenabdeckung wieder am Werkzeug an.

Um die SICHERHEIT und ZUVERLÄSSIGKEIT dieses Produkts zu gewährleisten, sollten Reparaturen und andere Wartungs- oder Einstellarbeiten nur von Makita-Kundendienstzentren unter ausschließlicher Verwendung von Makita-Originalersatzteilen ausgeführt werden.

⚠ VORSICHT:

- Die folgenden Zubehörteile oder Vorrichtungen werden für den Einsatz mit der in dieser Anleitung beschriebenen Makita-Maschine empfohlen. Die Verwendung anderer Zubehörteile oder Vorrichtungen kann eine Verletzungsgefahr darstellen. Verwenden Sie Zubehörteile oder Vorrichtungen nur für ihren vorgesehenen Zweck.

Wenn Sie weitere Einzelheiten bezüglich dieser Zubehörteile benötigen, wenden Sie sich bitte an Ihre Makita-Kundendienststelle.

- Gipskartonplatten-Führungseinsatz
- Mehrzweckseinsatz
- Spannzangenkonus
- Schraubenschlüssel
- Kreisführung
- Absaugungsadapter
- Original-Makita-Akku und -Ladegerät

HINWEIS:

- Manche Teile in der Liste können als Standardzubehör im Werkzeugsatz enthalten sein. Sie können von Land zu Land unterschiedlich sein.

ENG905-1

Geräusch

Typischer A-bewerteter Geräuschpegel ermittelt gemäß EN60745:

Schalldruckpegel (L_{pA}): 77 dB (A)

Ungewissheit (K): 3 dB (A)

Der Lärmpegel kann während des Betriebs 80 dB (A) überschreiten.

Gehörschutz tragen

ENG900-1

Vibration

Vibrationsgesamtwert (Drei-Achsen-Vektorsumme) ermittelt gemäß EN60745:

Arbeitsmodus: Drehung ohne Last

Vibrationsemission (a_{hV}): 2,5 m/s² oder weniger

Ungewissheit (K): 1,5 m/s²

ENG901-1

- Der angegebene Vibrationsemissionswert wurde im Einklang mit der Standardprüfmethode gemessen und kann für den Vergleich zwischen Maschinen herangezogen werden.
- Der angegebene Vibrationsemissionswert kann auch für eine Vorbewertung des Gefährdungsgrads verwendet werden.

⚠ WARNUNG:

- Die Vibrationsemission während der tatsächlichen Benutzung des Elektrowerkzeugs kann je nach der Benutzungsweise der Maschine vom angegebenen Emissionswert abweichen.
- Identifizieren Sie Sicherheitsmaßnahmen zum Schutz des Benutzers anhand einer Schätzung des Gefährdungsgrads unter den tatsächlichen Benutzungsbedingungen (unter Berücksichtigung aller Phasen des Arbeitszyklus, wie z. B. Ausschalt- und Leerlaufzeiten der Maschine zusätzlich zur Betriebszeit).

Nur für europäische Länder

EG-Übereinstimmungserklärung

Makita erklärt, dass die folgende(n) Maschine(n):

Bezeichnung der Maschine:

Akku-Rotationschneider

Modell-Nr./ Typ: DCO140, DCO180

den folgenden europäischen Richtlinien entsprechen:

2006/42/EG

gemäß den folgenden Standards oder standardisierten Dokumenten hergestellt werden:

EN60745

Die technische Akte in Übereinstimmung mit 2006/42/EG ist erhältlich von:

Makita, Jan-Baptist Vinkstraat 2, 3070, Belgien

27.9.2013



Yasushi Fukaya
Direktor

Makita, Jan-Baptist Vinkstraat 2, 3070, Belgien

Visione generale

1 Indicatore rosso	10 Stringere	19 Tubo flessibile 28
2 Bottone	11 Per allentare	20 Tubo flessibile per aspiratore
3 Cartuccia Batteria	12 Cono bussola di chiusura	21 Aspiratore
4 Marchio di stella	13 Punta	22 Collettore polvere
5 Vite con testa ad aletta	14 Sporgenze	23 Segno di limite
6 Zoccolo	15 Guida circolare	24 Coperchio tappo portaspaZZole
7 Interruttore a slitta	16 Manopola	25 Cacciavite
8 Dado bussola di chiusura	17 Coperchio aspiratore	26 Tappo portaspaZZole
9 Blocco albero	18 Utensile	

DATI TECNICI

Modello	DCO140	DCO180
Capacità portapunta bussola di chiusura	3 mm, 6 mm o 1/8", 1/4"	3 mm, 6 mm o 1/8", 1/4"
Velocità nominale (n) / Velocità senza carico (n ₀)	30.000 min ⁻¹	30.000 min ⁻¹
Lunghezza totale	313 mm	313 mm
Peso netto	1,6 kg	1,7 kg
Tensione nominale	C.c. 14,4 V	C.c. 18 V

- Per il nostro continuo programma di ricerca e sviluppo, i presenti dati tecnici sono soggetti a cambiamenti senza avviso.
- I dati tecnici e la cartuccia batteria potrebbero differire da paese a paese.
- Peso, con batteria, secondo la Procedura EPTA 01/2003

ENE012-1

Utilizzo previsto

Questo utensile è progettato per il taglio del gesso, legno, plastica e piastrelle tenere di pareti.

GEA010-1

Avvertimenti generali per la sicurezza dell'utensile elettrico

⚠ AVVERTIMENTO Leggere tutti gli avvertimenti per la sicurezza e le istruzioni. La mancata osservanza degli avvertimenti e delle istruzioni può causare scosse elettriche, incendio e/o gravi incidenti.

Conservare tutti gli avvertimenti e le istruzioni per riferimenti futuri.

GEB123-1

AVVERTIMENTI DI SICUREZZA PER IL RIFILATORE A BATTERIA

1. **Tenere l'utensile elettrico per le superfici isolate quando si esegue una operazione in cui l'accessorio di taglio potrebbe fare contatto con fili elettrici nascosti.** L'accessorio di taglio che fa contatto con un filo elettrico "sotto tensione" potrebbe mettere "sotto tensione" le parti metalliche esposte dell'utensile elettrico e dare una scossa all'operatore.
2. **Usare morse o altri dispositivi pratici per fissare e supportare il pezzo su una piattaforma stabile.** Se si tiene il pezzo con la mano o lo si appoggia al corpo, lo si rende instabile e si potrebbe causare una perdita di controllo.

3. **Portare la protezione per gli occhi e la mascherina antipolvere.**
4. **Ventilare adeguatamente l'area di lavoro.**
5. **Prima di cominciare un lavoro, controllare attentamente che la punta non presenti crepe o danni. Sostituire immediatamente la punta se è crepata o danneggiata.**
6. **Controllare che sotto il pezzo ci sia un gioco sufficiente prima di cominciare a tagliare, in modo che la punta non urti contro una superficie dura, come il pavimento, banco di lavoro, ecc.**
7. **Non tagliare oggetti metallici, come chiodi e viti. Prima di cominciare un lavoro, ispezionare e togliere dal pezzo tutti i chiodi, viti e altri oggetti estranei.**
8. **Controllare che la punta non faccia contatto con il pezzo prima di accendere l'utensile. Tenere sempre l'utensile con le due mani quando lo si accende. La coppia del motore potrebbe far spostare l'utensile.**
9. **Far girare l'utensile acceso per qualche istante prima di usarlo sul pezzo da lavorare. Controllare che non ci siano vibrazioni od ondeggiamenti, che potrebbero indicare la cattiva installazione della punta.**
10. **Prima di accendere l'utensile accertarsi che il blocco albero sia rilasciato.**
11. **Usare sempre l'utensile con lo zoccolo attaccato saldamente e posizionato a raso e fermamente contro il pezzo.**
12. **Tenere saldamente l'utensile.**
13. **Non si deve eseguire alcuna operazione usando le mani per supportare o guidare il pezzo.**
14. **Tenere sempre le mani lontane dalle parti in movimento.**
15. **Non usare questo utensile per trapanare.**
16. **Non lasciare l'utensile mentre sta funzionando. Far funzionare l'utensile soltanto tenendolo in mano.**

17. Spegner sempre l'utensile e aspettare che la punta si fermi completamente prima di rimuoverla dal pezzo.
18. Non toccare la punta o il pezzo immediatamente dopo una operazione. Essi potrebbero essere estremamente caldi e causare bruciate sulla pelle.
19. Bisogna usare punte con il diametro corretto del codolo, e adatte alla velocità dell'utensile.

CONSERVARE QUESTE ISTRUZIONI.

⚠ AVVERTIMENTO:

NON lasciare che la comodità d'utilizzo o la familiarità con il prodotto (acquisita con l'uso ripetuto) sostituisca la stretta osservanza delle norme per la sua sicurezza. L'utilizzo SBAGLIATO o la mancata osservanza delle norme di sicurezza di questo manuale di istruzioni potrebbero causare lesioni serie.

ENC007-8

ISTRUZIONI IMPORTANTI PER LA SICUREZZA

CARTUCCIA BATTERIA

1. Prima di usare la cartuccia della batteria, leggere tutte le istruzioni e le avvertenze sul (1) caricabatteria, sulla (2) batteria e sul (3) prodotto che utilizza la batteria.
2. Non smontare la cartuccia della batteria.
3. Se il tempo di funzionamento diventa eccessivamente corto, smettere immediatamente di usare l'utensile. C'è pericolo di surriscaldamento, di possibili bruciate ed anche di esplosione.
4. Se l'elettrolito finisce negli occhi, sciacquarli con acqua fresca e rivolgersi subito a un medico. C'è la possibilità di perdita della vista.
5. Non cortocircuitare la cartuccia della batteria:
 - (1) Non toccare i terminali con un qualsiasi materiale conduttivo.
 - (2) Evitare di conservare la cartuccia batteria in un contenitore con altri oggetti metallici, come chiodi, monete, ecc.
 - (3) Non esporre la cartuccia batteria all'acqua o alla pioggia.
 Un cortocircuito della batteria può causare un grande flusso di corrente, il surriscaldamento, possibili ustioni e addirittura un guasto.
6. Non conservare l'utensile e la cartuccia della batteria in luoghi in cui la temperatura può raggiungere o superare i 50°C.
7. Non incenerire la cartuccia della batteria anche se è gravemente danneggiata o è completamente esaurita. La cartuccia della batteria può esplodere e provocare un incendio.
8. Fare attenzione a non lasciar cadere o a colpire la batteria.
9. Non usare una batteria danneggiata.
10. Seguire le norme locali relative al modo di disfarsi della batteria.

CONSERVARE QUESTE ISTRUZIONI.

Suggerimenti per mantenere la durata massima della batteria

1. Caricare la cartuccia della batteria prima che si scarichi completamente.
Smettere sempre di usare l'utensile e caricare la cartuccia della batteria quando si nota che la potenza dell'utensile è diminuita.
2. Non ricaricare mai una cartuccia della batteria completamente carica.
La sovraccarica riduce la durata della batteria.
3. Caricare la cartuccia batteria a una temperatura ambiente di 10°C - 40°C. Lasciar raffreddare una cartuccia della batteria calda prima di caricarla.
4. Caricare la cartuccia della batteria una volta ogni sei mesi se non si intende usarla per un lungo periodo di tempo.

DESCRIZIONE FUNZIONALE

⚠ ATTENZIONE:

- Accertarsi sempre che l'utensile sia spento e di aver rimosso la cartuccia batteria prima di regolarlo o di controllare il suo funzionamento.

Installazione o rimozione della cartuccia batteria (Fig. 1)

⚠ ATTENZIONE:

- Spegner sempre l'utensile prima di installare o di rimuovere la batteria.
- **Tenere saldamente l'utensile e la batteria quando si installa o si rimuove la batteria.** Se non si tengono saldamente l'utensile e la cartuccia batteria, potrebbero sfuggire di mano danneggiandosi e causare un incidente.

Per rimuovere la batteria, toglierla dall'utensile spingendo allo stesso tempo il bottone sulla parte anteriore della batteria.

Per installare la batteria, allineare l'appendice della batteria sulla scanalatura dell'alloggiamento e spingerla in posizione. Inserirla completamente finché si blocca in posizione con un piccolo scatto. Se si vede l'indicatore rosso sul lato superiore del bottone, vuol dire che la batteria non è bloccata completamente.

⚠ ATTENZIONE:

- Installare sempre completamente la batteria finché l'indicatore rosso non è più visibile. In caso contrario, potrebbe cadere accidentalmente fuori dall'utensile causando un incidente all'operatore o a chi gli è vicino.
- Non installare forzatamente la batteria. Se la cartuccia batteria non scorre dentro facilmente, vuol dire che non viene installata correttamente.

Sistema di protezione della batteria (Fig. 2)

L'utensile è dotato di un sistema di protezione della batteria.

Questo sistema interrompe automaticamente la corrente al motore per estendere la vita della batteria.

L'utensile si arresta automaticamente mentre sta funzionando se esso e/o la batteria vengono a trovarsi in una delle condizioni seguenti:

- Sovraccarico:

L'utensile viene usato in un modo che causa un suo assorbimento anormalmente alto di corrente.

In tal caso, spegnere l'utensile e arrestare l'applicazione che ne ha causato il surriscaldamento. Accendere poi l'utensile per riavviarlo.

Se l'utensile non si riavvia, vuol dire che è sovraccarica la batteria. In tal caso, lasciar raffreddare la batteria prima di riaccendere l'utensile.

• **Bassa tensione della batteria:**

La capacità restante della batteria è troppo bassa e l'utensile non funziona. In tal caso, rimuovere e ricaricare la batteria.

NOTA:

- La protezione dal surriscaldamento si attiva soltanto con una cartuccia batteria con il marchio di stella.

Regolazione della profondità di taglio (Fig. 3)

Per regolare lo zoccolo, allentare la vite con testa ad aletta. Spingere lo zoccolo sulla posizione desiderata, e stringere poi saldamente la vite con testa ad aletta. Controllare che sotto il pezzo ci sia un gioco sufficiente prima di cominciare a tagliare, in modo da non urtare contro una superficie dura, come il pavimento, banco di lavoro, ecc.

Funzionamento dell'interruttore (Fig. 4)

⚠ ATTENZIONE:

- Prima di installare la cartuccia batteria nell'utensile, controllare sempre che l'interruttore scorrevole funzioni correttamente e che ritorni sulla posizione "OFF" quando si schiaccia la parte posteriore dell'interruttore.

Per avviare l'utensile, spingere l'interruttore a slitta verso la posizione "I (ON)". Per il funzionamento continuo, premere la parte anteriore dell'interruttore scorrevole per bloccarlo.

Per fermare l'utensile, premere la parte posteriore dell'interruttore a slitta e spingerlo poi verso la posizione "O (OFF)".

Funzione di prevenzione del riavviamento accidentale

L'utensile non si avvia anche se la cartuccia batteria viene installata sull'utensile con l'interruttore scorrevole sulla posizione "I (ON)".

Per avviare l'utensile, spingere prima l'interruttore scorrevole verso la posizione "O (OFF)" e spingerlo poi verso la posizione "I (ON)".

MONTAGGIO

⚠ ATTENZIONE:

- Accertarsi sempre che l'utensile sia spento e di aver rimosso la cartuccia batteria prima di regolarlo o di controllare il suo funzionamento.

Installazione o rimozione della punta (Fig. 5)

⚠ ATTENZIONE:

- Non si deve stringere il dado della bussola di chiusura senza aver installato una punta, perché altrimenti il cono della bussola potrebbe rompersi.

Premere il blocco albero per impedire la rotazione dell'albero quando si installa o si rimuove la punta.

Per installare la punta, inserirla completamente nel cono della bussola di chiusura e stringere poi saldamente il dado della bussola usando lo zoccolo come chiave.

Per rimuovere la punta, seguire il procedimento opposto di installazione.

Cambiamento del cono della bussola di chiusura (dipendente dal mercato) (Fig. 6)

⚠ ATTENZIONE:

- Usare il cono della bussola di chiusura con le dimensioni corrette per la punta che si intende usare.
- Non si deve stringere il dado della bussola di chiusura senza aver installato una punta, perché altrimenti il cono della bussola potrebbe rompersi.

Per cambiare il cono della bussola di chiusura, allentare il dado della bussola e rimuovere. Rimuovere il cono della bussola di chiusura installato e sostituirlo con il cono desiderato. Reinstallare il dado della bussola di chiusura.

FUNZIONAMENTO

⚠ ATTENZIONE:

- Evitare di forzare la punta piegandola o torcendola. Potrebbe rompersi.
- Prima di accendere l'utensile, accertarsi che la punta e il cono della bussola di chiusura siano stretti saldamente.

Tenere saldamente l'utensile con la punta rivolta in una direzione sicura, senza che faccia contatto con una qualsiasi superficie. Accendere l'utensile e aspettare che raggiunga la massima velocità. (Fig. 7)

Per usare la punta guida muro a secco su un muro a secco, inserire con cura la punta diritta finché la base dello zoccolo fa completamente contatto con il materiale. Per eseguire il taglio, muovere lentamente l'utensile con una pressione costante nella direzione del senso orario. (Fig. 8)

Per tagliare in linea retta, fissare saldamente un asse diritto al materiale e usarlo come guida. Muovere l'utensile nella direzione della freccia con la base dello zoccolo a raso con il fianco dell'asse di guida.

Al completamento del taglio, spegnere l'utensile, aspettare che la punta smetta di ruotare e rimuoverla poi con cura dal materiale.

NOTA:

- Quando si usa l'utensile, l'azione di rotazione fa in modo che esso eserciti una trazione. Tale trazione si riduce esercitando meno pressione sull'utensile, e il taglio diventa più accurato. Una pressione eccessiva, o un taglio frettoloso, potrebbe la punta o causare la rottura della punta prematuramente.
- Per praticare dei tagli su un muro a secco intorno alle prese di corrente, tagliare in senso antiorario per facilitare il taglio.
- La punta standard in dotazione all'utensile serve esclusivamente per il taglio sui muri a secco. La punta guida muro a secco standard non deve essere usata per tagliare materiali diversi dai muri a secco.

Uso della punta multifunzione (accessorio opzionale) (Figg. 9 e 10)

Per inserire la punta multifunzione nel materiale, tenere l'utensile a un angolo di circa 45 gradi con il bordo della base dello zoccolo a contatto con il materiale.

Muovere con cura l'utensile in posizione dritta, in modo che la base dello zoccolo faccia completamente contatto con il materiale.

Guida circolare (accessorio opzionale)

Diametri di taglio circolari: 10 cm – 34 cm

Installazione della guida circolare (Figg. 11, 12 e 13)

Rilasciare la vite con testa ad aletta che fissa lo zoccolo.

Allineare le sporgenze della guida circolare sulle scanalature dello zoccolo, e fissare lo zoccolo e la guida circolare con la vite con testa ad aletta.

Per regolare la profondità di taglio, allentare la vite con testa ad aletta e spingere poi lo zoccolo con la guida circolare. Dopo la regolazione corretta, stringere saldamente la vite con testa ad aletta.

Uso della guida circolare (Figg. 14 e 15)

Allentare la manopola e regolare la sua posizione secondo le dimensioni del cerchio da tagliare. (Come linea guida generale, le dimensioni del foro da tagliare sono indicate sul fianco della guida circolare.) Al completamento della regolazione, stringere saldamente la manopola.

Installare l'estremità della manopola nel centro del cerchio da tagliare, e procedere al taglio nella direzione del senso orario.

Coperchio aspiratore (accessorio opzionale)

(Figg. 16, 17 e 18)

Per eseguire dei lavori puliti, usare il coperchio aspiratore e collegare l'utensile a un aspiratore o collettore polvere Makita.

Allentare la vite con testa ad aletta, e rimuovere lo zoccolo. Attaccare il coperchio aspiratore, e fissarlo saldamente con la vite con testa ad aletta.

La guida circolare (accessorio opzionale) può essere installata sul coperchio aspiratore.

Collegare il tubo flessibile di un aspiratore/collettore polvere al coperchio aspiratore. Per il collegamento all'aspiratore Makita, usare un tubo flessibile opzionale con un diametro interno di 28 mm.

Per il collegamento al collettore polvere Makita, collegare direttamente il tubo flessibile del collettore polvere alla bocchetta polvere.

MANUTENZIONE

⚠ ATTENZIONE:

- Accertarsi sempre che l'utensile sia spento e di aver rimosso la batteria prima di cercare di eseguire l'ispezione o la manutenzione, eccetto per la correzione dei problemi relativi alla lampadina.
- Mai usare benzina, benzene, solventi, alcol e altre sostanze simili. Potrebbero causare scolorimenti, deformazioni o crepe.

Sostituzioni delle spazzole di carbonio (Figg. 19, 20 e 21)

Rimuovere e controllare regolarmente le spazzole di carbonio. Sostituirle quando sono usurate fino al segno di limite. Mantenere le spazzole di carbonio pulite in modo da poter scorrere liberamente nei portaspazzole. Le spazzole di carbone devono essere sostituite entrambe allo stesso tempo. Usare soltanto spazzole di carbone identiche.

Inserire l'estremità del cacciavite a punta nella tacca dell'utensile, e rimuovere il coperchio tappo portaspazzole sollevandolo.

Usare un cacciavite per rimuovere i tappi dei portaspazzole. Estrarre le spazzole di carbone usurate, inserire quelle nuove e fissare i tappi dei portaspazzole.

Reinstallare il coperchio tappo portaspazzole nell'utensile.

Per preservare la SICUREZZA e l'AFFIDABILITÀ del prodotto, le riparazioni, qualsiasi altra manutenzione o regolazione devono essere eseguite da un centro assistenza Makita autorizzato usando sempre ricambi Makita.

ACCESSORI OPZIONALI

⚠ ATTENZIONE:

- Questi accessori o attrezzi sono consigliati per l'uso con l'utensile Makita specificato in questo manuale. L'impiego di altri accessori o attrezzi può costituire un rischio di lesioni alle persone. Usare gli accessori soltanto per il loro scopo prefissato.

Per ottenere maggiori dettagli su questi accessori, rivolgersi a un centro assistenza Makita locale.

- Punta guida muro a secco
- Punta multifunzione
- Cono bussola di chiusura
- Chiave
- Guida circolare
- Coperchio aspiratore
- Batteria e caricatore genuini Makita

NOTA:

- Alcuni articoli nella lista potrebbero essere inclusi nell'imballo dell'utensile come accessori standard. Essi potrebbero differire da Paese a Paese.

ENG905-1

Rumore

Il tipico livello di rumore pesato A determinato secondo EN60745:

Livello pressione sonora (L_{pA}): 77 dB (A)

Incertezza (K): 3 dB (A)

Il livello di rumore durante il lavoro potrebbe superare gli 80 dB (A).

Indossare i paraorecchie

ENG900-1

Vibrazione

Il valore totale di vibrazione (somma vettore triassiale) determinato secondo EN60745:

Modalità operativa: rotazione senza carico

Emissione di vibrazioni (a_h): 2,5 m/s² o meno

Incertezza (K): 1,5 m/s²

- Il valore di emissione delle vibrazioni dichiarato è stato misurato conformemente al metodo di test standard, e può essere usato per paragonare un utensile con un altro.
- Il valore di emissione delle vibrazioni dichiarato può anche essere usato per una valutazione preliminare dell'esposizione.

⚠ AVVERTIMENTO:

- L'emissione delle vibrazioni durante l'uso reale dell'utensile elettrico può differire dal valore di emissione dichiarato a seconda dei modi in cui viene usato l'utensile.
- Accertarsi di identificare le misure di sicurezza per la protezione dell'operatore basate sulla stima dell'esposizione nelle condizioni reali d'utilizzo (tenendo presente tutte le parti del ciclo operativo, come le volte in cui l'utensile viene spento e quando gira a vuoto, oltre al tempo di funzionamento).

ENH101-17

Modello per l'Europa soltanto

Dichiarazione CE di conformità

Makita dichiara che la macchina seguente:

Designazione della macchina:

Rifilatore a batteria

Modello No./ Tipo: DCO140, DCO180

Conforme alle Direttive Europee:

2006/42/CE

È stata fabbricata in conformità allo standard e ai documenti standardizzati seguenti:

EN60745

La documentazione tecnica conforme 2006/42/CE è disponibile da:

Makita, Jan-Baptist Vinkstraat 2, 3070, Belgio

27.9.2013



Yasushi Fukaya
Amministratore

Makita, Jan-Baptist Vinkstraat 2, 3070, Belgio

Verklaring van algemene gegevens

1 Rode indicator	10 Vastdraaien	19 Slang 28
2 Knop	11 Loszetten	20 Slang voor stofzuiger
3 Accu	12 Klembus	21 Stofzuiger
4 Stermarkering	13 Snijboor	22 Stofopvanger
5 Duimschroef	14 Nokken	23 Limietmarkering
6 Schoen	15 Cirkelgeleider	24 Houderdop
7 Stroomschakelaar	16 Knop	25 Schroevendraaier
8 Klembusmoer	17 Stofzuigdeksel	26 Borstelhouderdop
9 Asvergrendeling	18 Gereedschap	

TECHNISCHE GEGEVENS

Model	DCO140	DCO180
Capaciteit klembus	3 mm, 6 mm of 1/8", 1/4"	3 mm, 6 mm of 1/8", 1/4"
Nominale snelheid (n) / Onbelaste snelheid (n ₀)	30 000 min ⁻¹	30 000 min ⁻¹
Totale lengte	313 mm	313 mm
Nettogewicht	1,6 kg	1,7 kg
Nominale spanning	D.C. 14,4 V	D.C. 18 V

- Vanwege ons voortgaand onderzoeks- en ontwikkelingsprogramma kunnen de bijgaande technische gegevens zonder voorafgaande kennisgeving worden gewijzigd.
- De technische gegevens en de accu kunnen van land tot land verschillen.
- Gewicht, inclusief accu, volgens de EPTA-procedure 01/2003

ENE012-1

Doeleinden van gebruik

Het gereedschap is bestemd voor het snijden in gipsplaten, hout, plastic en zachte wandplaten.

GEA010-1

Algemene veiligheidswaarschuwingen voor elektrisch gereedschap

⚠ WAARSCHUWING! Lees alle veiligheidswaarschuwingen en alle instructies. Het niet volgen van de waarschuwingen en instructies kan leiden tot elektrische schokken, brand en/of ernstig letsel.

Bewaar alle waarschuwingen en instructies om in de toekomst te kunnen raadplegen.

GEB123-1

VEILIGHEIDSVOORSCHRIFTEN VOOR DE SNOERLOZE DECOUPEERBOOR

1. Houd elektrisch gereedschap alleen vast aan de geïsoleerde handgrepen wanneer de kans bestaat dat het werktuig in aanraking komt met verborgen bedrading. Als een draad die onder stroom staat wordt ingesneden, kunnen de metalen delen van het gereedschap ook onder stroom komen te staan en kunt u een gevaarlijke schok krijgen.
2. **Gebruik klemmen of dergelijke voorzieningen om uw werkstuk aan een stabiele ondergrond vast te klemmen.** Als u het werkstuk met de hand vasthoudt of tegen uw lichaam klemt, zou u de beheersing over het gereedschap kunnen verliezen.
3. **Draag een veiligheidsbril en stofmasker.**
4. **Zorg dat uw werkruimte goed geventileerd is.**
5. **Controleer de snijboor zorgvuldig op barstjes of andere beschadigingen voordat u aan het werk gaat. Vervang een gebarsten of beschadigde snijboor onmiddellijk.**
6. **Zorg dat er voldoende ruimte onder uw werkstuk is, zodat de snijboor niet doorschiet tegen een hard oppervlak zoals de vloer, de werkbank e.d. aan.**
7. **Probeer niet om metalen voorwerpen zoals spijkers of schroeven door te snijden. Controleer van tevoren uw werkstuk en verwijder alle spijkers, schroeven en andere metalen voorwerpen uit uw werkstuk.**
8. **Zorg dat de snijboor niet in aanraking is met uw werkstuk voordat u het gereedschap inschakelt. Houd het gereedschap altijd met twee handen vast wanneer u het inschakelt. Het koppel van de motor kan het gereedschap doen bewegen.**
9. **Voordat u het gereedschap op een werkstuk gaat gebruiken, laat u het eerst even proefdraaien. Let op of er geen trillingen of schommelingen zijn die kunnen duiden op een onjuist geplaatste snijboor.**
10. **Zorg dat de asvergrendeling is vrijgezet voordat u het gereedschap inschakelt.**
11. **Altijd gebruiken met de schoen stevig aan het gereedschap gemonteerd en bovendien vlak en stevig tegen het werkstuk aan geplaatst.**
12. **Houd het gereedschap stevig vast.**
13. **Verricht geen werk waarbij u het werkstuk met uw handen ondersteunt of geleidt.**
14. **Kom met uw handen niet te dicht bij bewegende onderdelen.**

15. Gebruik dit gereedschap niet voor gewoon boren.
16. Laat het gereedschap niet ingeschakeld achter. Schakel het gereedschap alleen in wanneer u het stevig vasthoudt.
17. Schakel altijd eerst het gereedschap uit en wacht tot de snijboor volledig tot stilstand is gekomen voordat u de snijboor uit het gereedschap verwijdert.
18. Raak direct na uw werk het snijboor of het werkstuk niet aan; ze kunnen erg heet zijn en u zou zich kunnen branden.
19. Houd er rekening mee dat u een snijwerktuig van de juiste asdiameter moet gebruiken dat geschikt is voor de snelheid van het gereedschap.
7. Werp de accu nooit in het vuur, ook niet wanneer hij zwaar beschadigd of volledig versleten is. De accu kan namelijk ontploffen in het vuur.
8. Wees voorzichtig dat u de accu niet laat vallen en hem niet blootstelt aan schokken of stoten.
9. Gebruik nooit een beschadigde accu.
10. Volg bij het wegwerpen van de accu de plaatselijk geldende voorschriften.

BEWAAR DEZE VOORSCHRIFTEN.

Tips voor een maximale levensduur van de accu

1. Laad de accu op voordat hij volledig ontladen is. Stop het gebruik van het gereedschap en laad de accu op telkens wanneer u vaststelt dat het vermogen van het gereedschap is afgenomen.
2. Laad een volledig opgeladen accu nooit opnieuw op. Als u de accu te veel oplaadt, zal hij minder lang meegaan.
3. Laad de accu op bij een kamertemperatuur van 10°C – 40°C. Laat een warme accu afkoelen alvorens hem op te laden.
4. Laad de accu zeker elk half jaar een keer op, ook als u deze geruime tijd lang niet gebruikt.

BEWAAR DEZE VOORSCHRIFTEN.

⚠ WAARSCHUWING:

LAAT NIET uw vertrouwen in het gereedschap (na regelmatig gebruik) omslaan in slordigheid of onachtzaamheid omtrent de strik na te leven veiligheidsvoorschriften voor dit product. VERKEERD GEBRUIK of het niet naleven van de veiligheidsvoorschriften in deze gebruiksaanwijzing kan leiden tot ernstige verwondingen.

ENC007-8

BELANGRIJKE VEILIGHEIDSVORSCHRIFTEN

VOOR DE ACCU

1. Lees alle voorschriften en waarschuwingen op (1) de acculader, (2) de accu, en (3) het product waarvoor de accu wordt gebruikt, aandachtig door alvorens de acculader in gebruik te nemen.
2. Neem de accu niet uit elkaar.
3. Als de gebruiksduur van het gereedschap erg kort is geworden, staakt u dan onmiddellijk het gebruik. Er bestaat kans op oververhitting, met gevaar voor brand of zelfs een explosie.
4. Als er accuvloeistof in uw ogen komt, wast u die dan onmiddellijk uit met volop water en raadpleeg dan onverwijld een arts. Uw gezichtsvermogen zou ernstig aangetast kunnen worden.
5. Voorkom kortsluiting van de accu:
 - (1) Raak de accucontacten nooit aan met enig geleidend materiaal.
 - (2) Bewaar de accu niet in een bak waarin andere metalen voorwerpen zoals spijkers, munten e.d. worden bewaard.
 - (3) Stel de accu niet bloot aan water of regen. Kortsluiting van de accu kan oorzaak zijn van een grote stroomafgifte, oververhitting, brandwonden, en zelfs defecten.
6. Bewaar het gereedschap en de accu niet op plaatsen waar de temperatuur kan oplopen tot 50°C of hoger.

BESCHRIJVING VAN DE FUNCTIES

⚠ LET OP:

- Zorg altijd dat het gereedschap is uitgeschakeld en de accu ervan is verwijderd alvorens de functies op het gereedschap af te stellen of te controleren.

Aanbrengen en verwijderen van de accu (Fig. 1)

⚠ LET OP:

- Schakel altijd het gereedschap uit voordat u de accu aanbrengt of verwijdert.
- Houd het gereedschap en de accu stevig vast wanneer u de accu aanbrengt of verwijdert. Als u het gereedschap en de accu niet stevig vasthoudt, zou er iets uit uw handen kunnen glippen, met gevaar voor schade aan het gereedschap of de accu en eventuele verwonding.

Om de accu te verwijderen, schuift u deze uit het gereedschap los terwijl u de knop voorop de accu ingedrukt houdt.

Voor het aanbrengen van de accu plaatst u de tong van de accu in de groef van de behuizing en schuift u de accu op zijn plaats. Steek hem er volledig in totdat hij op zijn plaats vastklikt. Wanneer de rode indicator op de bovenkant van de knop nog zichtbaar is, zit de accu niet volledig erin.

⚠ LET OP:

- Schuif de accu volledig erin totdat de rode indicator niet meer zichtbaar is. Als u dit nalaat, zou de accu uit het gereedschap kunnen vallen en uzelf of anderen kunnen verwonden.
- Druk de accu er niet met kracht in. Als de accu er niet soepel in schuift, houdt u die waarschijnlijk in de verkeerde stand.

Accubeveiligingssysteem (Fig. 2)

Het gereedschap is voorzien van een accubeveiligingssysteem.

Dit systeem kan automatisch de stroomtoevoer naar de motor afsluiten om de levensduur van de accu te verlengen.

Het gereedschap kan tijdens gebruik automatisch stoppen wanneer het gereedschap en/of de accu aan één van de volgende omstandigheden wordt blootgesteld:

• Overbelasting:

Als het gereedschap wordt gebruikt op een manier die een abnormaal hoge stroomsterkte vergt.

In dat geval schakelt u het gereedschap uit en verhelpt u de oorzaak van de overbelasting. Vervolgens schakelt u het gereedschap in en start u opnieuw.

Als het gereedschap niet start, kan de accu oververhit zijn. In dat geval laat u de accu even afkoelen, voordat u het gereedschap opnieuw inschakelt.

• Onvoldoende accuspanning:

Als de resterende accuspanning onvoldoende is, zal het gereedschap niet starten. In dat geval verwijdert u de accu en laadt u die opnieuw op.

OPMERKING:

- De oververhittingsbeveiliging voor de accu werkt alleen voor accu's met een stermarkering.

Instellen van de snijdiepte (Fig. 3)

Om de schoen te verstellen, draait u de duimschroef los. Schuif de schoen in de gewenste stand en draai dan de duimschroef stevig vast. Controleer of er voldoende ruimte onder uw werkstuk is, zodat u niet doorschiet tegen een hard oppervlak zoals de vloer, de werkbank e.d. aan.

Werking van de schakelaar (Fig. 4)

⚠ LET OP:

- Voordat u de accu in het gereedschap plaatst, moet u controleren of de schuifschakelaar correct functioneert en terugkeert in de "UIT"-stand wanneer de achterkant van de schakelaar wordt ingedrukt.

Om het gereedschap te starten, schuift u de aan/uit-schakelaar naar de "I (AAN)"-stand. Voor continu gebruik drukt u de voorkant van de aan/uit-schakelaar in, om die te vergrendelen.

Om het gereedschap te stoppen, drukt u op de achterkant van de aan/uit-schakelaar en schuift u die naar de "O (UIT)"-stand.

Beveiliging tegen per ongeluk herstarten

Al staat de aan/uit-schakelaar nog in de "I (AAN)"-stand wanneer u een accu in het gereedschap plaatst, het gereedschap zal dan niet starten.

Om dan het gereedschap te starten, schuift u eerst de schakelaar naar de "O (UIT)"-stand en dan schuift u die weer in de "I (AAN)"-stand.

INEENZETTEN

⚠ LET OP:

- Zorg altijd dat het gereedschap is uitgeschakeld en de accu ervan is verwijderd alvorens de functies op het gereedschap af te stellen of te controleren.

Aanbrengen en verwijderen van een snijboor (Fig. 5)

⚠ LET OP:

- Draai de klembusmoer niet aan zonder dat er een snijboor aanwezig is, anders kan de klembus breken.

Druk de asvergrendeling vast om te voorkomen dat de as meedraait tijdens het aanbrengen of verwijderen van de snijboor.

Om de snijboor te installeren, steekt u die zo ver mogelijk in de klembus en dan draait u de klembusmoer stevig aan door de schoen als sleutel te gebruiken.

Om de snijboor te verwijderen, verricht u de stappen voor het aanbrengen in omgekeerde volgorde.

Verwisselen van de klembus (per land verschillend) (Fig. 6)

⚠ LET OP:

- Gebruik de klembus van het juiste formaat voor de snijboor die u wilt gebruiken.
- Draai de klembusmoer niet aan zonder dat er een snijboor aanwezig is, anders kan de klembus breken.

Om de klembus te verwisselen, draait u de klembusmoer los en verwijdert u die. Verwijder de aanwezige klembus en vervang die door de gewenste klembus. Breng de klembusmoer weer aan.

BEDIENING

⚠ LET OP:

- Zorg dat de snijboor niet verbogen of verwrongen wordt. De kop zou kunnen breken.
- Voordat u het gereedschap inschakelt, controleert u of de snijboor en de klembus stevig zijn vastgezet.

Houd het gereedschap stevig vast met de snijboor in een veilige richting, zonder enig oppervlak aan te raken. Schakel het gereedschap in en wacht tot het op volle snelheid is gekomen. (Fig. 7)

Bij gebruik van de gipsplaatgeleideboor in een gipsplaat, steekt u de snijboor er recht in totdat het raakvlak van de schoen volledig contact maakt met het materiaal.

Beweeg het gereedschap langzaam met constante druk in de richting van de klok om de insnede te voltooien. (Fig. 8)

Voor het maken van een rechte snede klemt u een recht stuk materiaal stevig tegen uw werkstuk aan en gebruikt u dat als geleider. Beweeg het gereedschap in de richting van de pijl met het raakvlak van de schoen gelijk met de zijkant van het geleidemateriaal.

Wanneer de insnede voltooid is, schakelt u het gereedschap uit, wacht u tot de snijboor stopt met draaien en dan verwijdert u die voorzichtig uit het materiaal.

OPMERKING:

- Bij het gebruik van dit gereedschap zorgt de draaiende werking dat het gereedschap een trekkracht uitoefent. Hoe minder druk u op het gereedschap uitoefent, des te minder trekkracht zal er zijn, voor een meer nauwkeurige snede. Te veel druk of te snel snijden kan zorgen dat de snijboor te snel slijt of zelfs breekt.
- Bij het snijden van gipsplaat rond stopcontacten kunt u tegen de klok in snijden voor een gemakkelijker snijbeweging.
- De standaard snijboor die bij dit gereedschap is geleverd, is alleen voor het snijden in gipsplaat. Voor het snijden in andere materialen dan gipsplaat kunt u de standaard snijboor niet gebruiken.

Gebruik van een universeelsnijboor (optioneel accessoire) (Fig. 9 en 10)

Bij gebruik van een universeelsnijboor voor het snijden in materiaal houdt u het gereedschap onder een hoek van ongeveer 45 graden met de rand van het schoenraakvlak tegen het materiaal aan.

Breng het gereedschap voorzichtig in een rechte stand zodat het schoenraakvlak volledig contact maakt met het materiaal.

Cirkelgeleider (optioneel accessoire)

Cirkelsnijdiameters: 10 cm – 34 cm

Aanbrengen van de cirkelgeleider (Fig. 11, 12 en 13)

Draai de duimschroef los waarmee de schoen vast zit.

Plaats de nokken van de cirkelgeleider recht tegenover de sleuven in de schoen en zet de schoen en de cirkelgeleider vast met de duimschroef.

Om de snijdiepte in te stellen draait u de duimschroef los en verschuift u de schoen samen met de cirkelgeleider. Nadat de juiste instelling gemaakt is, draait u de duimschroef weer stevig vast.

Gebruik van de cirkelgeleider (Fig. 14 en 15)

Draai de knop los en verstel de stand ervan, al naar gelang de cirkel die u wilt uitsnijden. (De afmetingen van de te snijden opening staan aangegeven op de zijkant van de cirkelgeleider, als algemene leidraad.) Na het voltooiën van de afstelling draait u de knop weer stevig vast.

Breng het eind van de knop aan in het midden van de cirkel die u wilt uitsnijden en maak dan de insnede in de richting van de klok.

Stofzuigdeksel (optioneel accessoire) (Fig. 16, 17 en 18)

Voor werken met het afzuigen van stof, gebruikt u het stofzuigdeksel en sluit u het gereedschap aan op een Makita stofzuiger of stofopvangner.

Draai de duimschroef los en verwijder de schoen. Breng het stofzuigdeksel aan en zet het stevig vast met de duimschroef.

De cirkelgeleider (optioneel accessoire) kan op het stofzuigdeksel worden gemonteerd.

Sluit de slang van een stofzuiger/stofopvangner aan op het stofzuigdeksel. Voor het aansluiten op een Makita stofzuiger gebruikt u een optionele slang met een binnendiameter van 28 mm.

Voor het aansluiten op een Makita stofopvangner maakt u de slang van de stofopvangner rechtstreeks vast aan het stofmondstuk.

ONDERHOUD

⚠ LET OP:

- Zorg altijd dat het gereedschap is uitgeschakeld en de accu is verwijderd voordat u inspecties of onderhoud gaat verrichten, uitgezonderd de volgende controlepunten met betrekking tot het lampje.
- Gebruik nooit benzine, wasbenzine, thinner, alcohol en dergelijke. Hierdoor kunnen verkleuring, vervormingen en barsten worden veroorzaakt.

Koolborstels vervangen (Fig. 19, 20 en 21)

Verwijder en controleer regelmatig de koolborstels. Vervang de koolborstels wanneer ze tot aan de limietmarkering versleten zijn. Houd de koolborstels schoon, zodat ze gemakkelijk in de houders glijden. Vervang altijd beide koolborstels tegelijk. Gebruik uitsluitend identieke koolborstels.

Steek het uiteinde van een platte schroevendraaier in de sleuf in het gereedschap en verwijder de houderdop door die omhoog te lichten.

Gebruik een schroevendraaier om de borstelhouderdoppen te verwijderen. Haal de versleten koolborstels eruit, plaats de nieuwe erin en zet daarna de doppen weer goed vast.

Breng de houderdop weer op het gereedschap aan.

Om de VEILIGHEID en BETROUWBAARHEID van het product te handhaven, dienen alle reparaties en alle andere onderhoudswerkzaamheden of afstellingen te worden uitgevoerd door een erkend Makita servicecentrum, en dat uitsluitend met gebruik van Makita vervangingsonderdelen.

OPTIONELE ACCESSOIRES

⚠ LET OP:

- Deze accessoires of hulpstukken worden aanbevolen voor gebruik met het Makita gereedschap dat in deze gebruiksaanwijzing is beschreven. Bij gebruik van andere accessoires of hulpstukken bestaat er gevaar voor persoonlijke verwonding. Gebruik de accessoires of hulpstukken uitsluitend voor hun bestemde doel.

Raadpleeg het dichtstbijzijnde Makita servicecentrum voor verder advies of bijzonderheden omtrent deze accessoires.

- Gipsplaatgeleideboor
- Universeelsnijboor
- Klembus
- Sleutel
- Cirkelgeleider
- Stofzuigdeksel
- Originele Makita accu en acculader

OPMERKING:

- Sommige onderdelen in deze lijst kunnen bij het gereedschap zijn meegeleverd als standaard-accessoires. Deze kunnen van land tot land verschillen.

Geluidsniveau

De typisch, A-gewogen geluidsniveaus vastgesteld volgens EN60745:

Geluidsdrukniveau (L_{pA}): 77 dB (A)

Onnauwkeurigheid (K): 3 dB (A)

Tijdens het werken kan het geluidsniveau 80 dB (A) overschrijden.

Draag oorbeschermers

ENG900-1

Trilling

De totaalwaarde van de trillingen (triaxiale vectorsom) vastgesteld volgens EN60745:

Toepassing: onbelast draaien

Trillingsemmissie (a_{h1}): 2,5 m/s² of minder

Onnauwkeurigheid (K): 1,5 m/s²

ENG901-1

- De opgegeven trillingsemmissiewaarde is gemeten volgens de standaardtestmethode en kan worden gebruikt om dit gereedschap te vergelijken met andere gereedschappen.
- De opgegeven trillingsemmissiewaarde kan ook worden gebruikt voor een beoordeling vooraf van de blootstelling.

⚠ WAARSCHUWING:

- De trillingsemmissie tijdens het gebruik van het elektrisch gereedschap in de praktijk kan verschillen van de opgegeven trillingsemmissiewaarde afhankelijk van de manier waarop het gereedschap wordt gebruikt.
- Zorg ervoor dat veiligheidsmaatregelen worden getroffen ter bescherming van de operator die zijn gebaseerd op een schatting van de blootstelling onder praktijkomstandigheden (rekening houdend met alle fasen van de bedrijfscyclus, zoals de tijdsduur gedurende welke het gereedschap is uitgeschakeld en stationair draait, naast de ingeschakelde tijdsduur).

Alleen voor Europese landen**EU-Verklaring van Conformiteit****Makita verklaart hierbij dat de volgende machine(s):**

Aanduiding van de machine:

Snoerloze decoupeerboor

Modelnr./ Type: DCO140, DCO180

Voldoet aan de volgende Europese Richtlijnen:

2006/42/EU

Ze zijn gefabriceerd in overeenstemming met de volgende norm of genormaliseerde documenten:

EN60745

Het technisch documentatiebestand volgens 2006/42/EU is verkrijgbaar in:

Makita, Jan-Baptist Vinkstraat 2, 3070, België

27.9.2013



Yasushi Fukaya

Directeur

Makita, Jan-Baptist Vinkstraat 2, 3070, België

Explicación de los dibujos

1 Indicador rojo	10 Apretar	19 Manguera de 28
2 Botón	11 Aflojar	20 Manguera para aspirador
3 Cartucho de batería	12 Cono de mandril de pinzas	21 Aspirador
4 Marca de estrella	13 Fresa de atornillar	22 Colector de polvo
5 Tornillo de palometa	14 Salientes	23 Marca límite
6 Zapata	15 Guía circular	24 Cubierta de la tapa del portaescobilla
7 Interruptor deslizable	16 Pomo	25 Atornillador
8 Tuerca de mandril de pinzas	17 Tapa de vacío	26 Tapón portaescobilla
9 Bloqueo del eje	18 Herramienta	

EESPECIFICACIONES

Modelo	DCO140	DCO180
Diámetro del mandril de pinzas	3 mm, 6 mm o 1/8", 1/4"	3 mm, 6 mm o 1/8", 1/4"
Velocidad especificada (n) / Velocidad sin carga (n ₀)	30.000 min ⁻¹	30.000 min ⁻¹
Longitud total	313 mm	313 mm
Peso neto	1,6 kg	1,7 kg
Tensión nominal	CC 14,4 V	CC 18 V

- Debido a nuestro continuado programa de investigación y desarrollo, las especificaciones indicadas aquí están sujetas a cambio sin previo aviso.
- Las especificaciones y el cartucho de batería pueden diferir de país a país.
- Peso, con el cartucho de batería, de acuerdo con el procedimiento EPTA 01/2003

ENE012-1

Uso previsto

La herramienta ha sido prevista para cortar yeso, madera, plástico y azulejos de pared blandos.

GEA010-1

Advertencias de seguridad generales para herramientas eléctricas

⚠ ¡ADVERTENCIA! Lea todas las advertencias de seguridad y todas las instrucciones. Si no sigue todas las advertencias e instrucciones podrá ocasionar una descarga eléctrica, un incendio y/o heridas graves.

Guarde todas las advertencias e instrucciones para futuras referencias.

GEB123-1

ADVERTENCIAS DE SEGURIDAD PARA LA RECORTADORA INALÁMBRICA

1. Cuando realice una operación en la que el accesorio de corte pueda entrar en contacto con cableado oculto, sujete la herramienta eléctrica por las superficies de asimiento aisladas. El contacto del accesorio de corte con un cable con corriente hará que la corriente circule por las partes metálicas expuestas de la herramienta eléctrica y podrá soltar una descarga eléctrica al operario.

2. **Utilice mordazas u otros medios de sujeción prácticos para sujetar y apoyar la pieza de trabajo en una plataforma estable.** Sujetada con la mano o contra el cuerpo, la pieza de trabajo estará inestable y podrá ocasionar la pérdida del control.
3. **Póngase protección para los ojos y máscara contra el polvo.**
4. **Ventile su área de trabajo adecuadamente.**
5. **Inspeccione la fresa cuidadosamente para ver si tiene grietas o daños antes de comenzar la operación.** Reemplace la fresa inmediatamente si está agrietada o dañada.
6. **Compruebe que hay espacio suficiente por debajo de la pieza de trabajo antes de cortar para que la fresa no golpee el suelo, el banco de trabajo, etc.**
7. **No corte objetos metálicos, tales como clavos y tornillos.** Inspeccione y quite todos los clavos, tornillos y otros materiales extraños de la pieza de trabajo antes de la operación.
8. **Compruebe que la fresa no está haciendo contacto con la pieza de trabajo antes de activar el interruptor.** Sujete siempre la pieza de trabajo con las dos manos mientras enciende la herramienta. La torsión del motor puede ocasionar que la herramienta gire.
9. **Antes de utilizar la herramienta en una pieza de trabajo definitiva, déjela funcionar durante un rato.** Observe para ver si hay vibración o bamboleo que pueda indicar una incorrecta instalación de la fresa.
10. **Asegúrese de que el bloqueo del eje está liberado antes de activar el interruptor.**
11. **Utilice siempre la herramienta con la zapata colocada firmemente en la herramienta y posicionada horizontal y firmemente contra la pieza de trabajo.**

12. Sujete la herramienta firmemente.
13. No realice ninguna operación utilizando las manos para apoyar o guiar la pieza de trabajo.
14. Mantenga las manos alejadas de las partes en movimiento.
15. No utilice esta herramienta para taladrar.
16. No deje la herramienta en marcha. Tenga en marcha la herramienta solamente cuando la tenga en la mano.
17. Apague siempre la herramienta y espere hasta que la fresa se haya parado completamente antes de retirar la fresa de la pieza de trabajo.
18. No toque la fresa ni la pieza de trabajo inmediatamente después de la operación; podrán estar muy calientes y podrían quemarle la piel.
19. Preste atención a la necesidad de utilizar fresas de diámetro de espiga correcto y que sean apropiadas para la velocidad de la herramienta.

GUARDE ESTAS INSTRUCCIONES.

⚠ ADVERTENCIA:

NO deje que la comodidad o familiaridad con el producto (a base de utilizarlo repetidamente) sustituya la estricta observancia de las normas de seguridad para el producto en cuestión. El MAL USO o el no seguir las normas de seguridad establecidas en este manual de instrucciones podrá ocasionar graves heridas personales.

ENC007-8

INSTRUCCIONES DE SEGURIDAD IMPORTANTES

PARA EL CARTUCHO DE BATERÍA

1. Antes de utilizar el cartucho de batería, lea todas las instrucciones e indicaciones de precaución sobre (1) el cargador de baterías, (2) la batería, y (3) el producto con el que se utiliza la batería.
2. No desarme el cartucho de batería.
3. Si el tiempo de uso del cartucho de batería se acorta demasiado, deje de usarlo inmediatamente. Podría resultar en un riesgo de recalentamiento, posibles quemaduras e incluso una explosión.
4. Si entra electrolito en sus ojos, aclárelos con agua limpia y acuda a un médico inmediatamente. Existe el riesgo de poder perder la vista.
5. No cortocircuite el cartucho de batería:
 - (1) No toque los terminales con ningún material conductor.
 - (2) Evite guardar el cartucho de batería en un cajón junto con otros objetos metálicos, tales como clavos, monedas, etc.
 - (3) No exponga el cartucho de batería al agua ni a la lluvia.

Un cortocircuito en la batería puede producir una gran circulación de corriente, un recalentamiento, posibles quemaduras e incluso una rotura de la misma.
6. No guarde la herramienta ni el cartucho de batería en lugares donde la temperatura pueda alcanzar o exceder los 50°C.

7. Nunca incinere el cartucho de batería incluso en el caso de que esté dañado seriamente o ya no sirva en absoluto. El cartucho de batería puede explotar si se tira al fuego.
8. Tenga cuidado de no dejar caer ni golpear el cartucho de batería.
9. No utilice una batería dañada.
10. Siga los reglamentos locales referentes al desecho de la batería.

GUARDE ESTAS INSTRUCCIONES.

Consejos para alargar al máximo la vida de servicio de la batería

1. Cargue el cartucho de batería antes de que se descargue completamente. Pare siempre la operación y cargue el cartucho de batería cuando note menos potencia en la herramienta.
2. No cargue nunca un cartucho de batería que esté completamente cargado. La sobrecarga acortará la vida de servicio de la batería.
3. Cargue el cartucho de batería a temperatura ambiente de 10°C – 40°C. Si un cartucho de batería está caliente, déjelo enfriar antes de cargarlo.
4. Cargue el cartucho de batería una vez cada seis meses si no lo utiliza durante un periodo de tiempo prolongado.

DESCRIPCIÓN DEL FUNCIONAMIENTO

⚠ PRECAUCIÓN:

- Asegúrese siempre de que la herramienta está apagada y el cartucho de batería extraído antes de realizar cualquier ajuste o comprobación en la herramienta.

Instalación o extracción del cartucho de batería (Fig. 1)

⚠ PRECAUCIÓN:

- Apague siempre la herramienta antes de la instalación o extracción del cartucho de batería.
- Sujete la herramienta y el cartucho de batería firmemente cuando instale o extraiga el cartucho de batería. Si no sujeta la herramienta y el cartucho de batería firmemente podrán caerse de las manos y resultar en daños a la herramienta y cartucho de batería y heridas personales.

Para extraer el cartucho de batería, deslícelo de la herramienta a la vez que desliza el botón de la parte frontal del cartucho.

Para instalar el cartucho de batería, alinee la lengüeta del cartucho de batería con la ranura de la carcasa y deslícelo hasta que encaje en su sitio. Instálelo a tope hasta que se bloquee en su sitio produciendo un pequeño chasquido. Si puede ver el indicador rojo en el lado superior del botón, no estará bloqueado completamente.

⚠ PRECAUCIÓN:

- Instale siempre el cartucho de batería completamente hasta que no pueda verse el indicador rojo. En caso contrario, podrá caerse accidentalmente de la herramienta y ocasionarle heridas a usted o a alguien que esté cerca de usted.
- No instale el cartucho de batería empleando fuerza. Si el cartucho no se desliza al interior fácilmente, será porque no está siendo instalado correctamente.

Sistema de protección de la batería (Fig. 2)

La herramienta está equipada con un sistema de protección de la batería.

Este sistema corta automáticamente la alimentación del motor para alargar la vida útil de la batería.

La herramienta se detendrá automáticamente durante la operación si la herramienta y/o la batería son puestas en una de las condiciones siguientes:

• Sobrecargada:

La herramienta es utilizada de una manera que da lugar a que tenga que absorber una corriente anormalmente alta.

En esta situación, apague la herramienta y detenga la tarea que ocasiona la sobrecarga de la herramienta. Después encienda la herramienta para volver a empezar.

Si la herramienta no se pone en marcha, la batería estará recalentada. En esta situación, deje que la batería se enfríe antes de encender la herramienta otra vez.

• Tensión baja en la batería:

La capacidad de batería restante es muy baja y la herramienta no funcionará. En esta situación, extraiga la batería y vuelva a cargarla.

NOTA:

- La protección contra el recalentamiento funciona solamente con un cartucho de batería con marca de estrella.

Ajuste de la profundidad corte (Fig. 3)

Para ajustar la zapata, afloje el tornillo de palometa. Deslice la zapata hasta la posición deseada y después apriete el tornillo de palometa firmemente. Compruebe que hay espacio suficiente por debajo de la pieza de trabajo antes de cortar para no golpear una superficie dura tal como el suelo, banco de trabajo, etc.

Accionamiento del interruptor (Fig. 4)

⚠ PRECAUCIÓN:

- Antes de instalar el cartucho de batería en la herramienta, compruebe siempre para confirmar que el interruptor deslizable se acciona debidamente y que vuelve a la posición "OFF" cuando se bajar/abatar la parte trasera del mismo.

Para poner en marcha la herramienta, deslice el interruptor deslizable hacia la posición "I (ON)". Para una operación continua, presione la parte delantera del interruptor deslizable para bloquearlo.

Para detener la herramienta, presione la parte trasera del interruptor deslizable, después deslícelo hacia la posición "O (OFF)".

Función de prevención de puesta en marcha accidental

Aunque se instale el cartucho de batería en la herramienta con el interruptor deslizable en la posición "I (ON)", la herramienta no se pondrá en marcha.

Para poner en marcha la herramienta, primero deslice el interruptor deslizable hacia la posición "O (OFF)" y después deslícelo hacia la posición "I (ON)".

MONTAJE

⚠ PRECAUCIÓN:

- Asegúrese siempre de que la herramienta está apagada y el cartucho de batería extraído antes de realizar cualquier ajuste o comprobación en la herramienta.

Instalación o desmontaje de fresa de atornillar (Fig. 5)

⚠ PRECAUCIÓN:

- No apriete la tuerca de mandril de pinzas sin instalar una fresa, porque el cono de mandril de pinzas podrá romperse.

Presione el bloqueo del eje para impedir que el eje gire cuando instale o retire la fresa.

Para instalar la fresa, póngala a fondo en el cono de mandril de pinzas y después apriete la tuerca de mandril de pinzas firmemente utilizando la zapata como llave.

Para retirar la fresa, siga el procedimiento de instalación a la inversa.

Cambio del cono de mandril de pinzas (específico para cada país) (Fig. 6)

⚠ PRECAUCIÓN:

- Utilice el cono de mandril de pinzas del tamaño correcto para la fresa que va utilizar.
- No apriete la tuerca de mandril de pinzas sin instalar una fresa, porque el cono de mandril de pinzas podrá romperse.

Para cambiar el cono de mandril de pinzas, afloje la tuerca de mandril de pinzas y retírela. Retire el cono de mandril de pinzas instalado y reemplácelo con el cono de mandril de pinzas deseado. Vuelva a instalar la tuerca de mandril de pinzas.

OPERACIÓN

⚠ PRECAUCIÓN:

- Evite forzar la fresa para no doblarla o retorcerla. Podría partirse en dos.
- Antes de encender la herramienta, asegúrese de que la fresa y la tuerca de mandril de pinzas están apretadas firmemente.

Sujete la herramienta firmemente con la fresa orientada en una dirección segura y sin hacer contacto con ninguna superficie. Encienda la herramienta y espere hasta que adquiera plena velocidad. (Fig. 7)

Cuando utilice la fresa con guía para placa de yeso en una placa de yeso, inserte la fresa con cuidado en línea recta hasta que la base de la zapata haga contacto con el material completamente.

Mueva la herramienta despacio con una presión constante en dirección del sentido de las manecillas del reloj para hacer el corte. (Fig. 8)

Cuando corte en línea recta, sujete una tabla recta firmemente al material y utilícelo como guía. Mueva la herramienta en la dirección de la flecha con la base de la zapata a ras con el lateral de la tabla guía.

Cuando haya completado el corte, apague la herramienta y espere hasta que la fresa deje de girar y después retire la fresa del material con cuidado.

NOTA:

- Cuando utilice esta herramienta, la acción de giro hará que la herramienta tire de usted. Cuanto menos presión aplique a la herramienta menos tiro ocasionará y más preciso será el corte que obtendrá. Una presión excesiva o un corte rápido podrá ocasionar que la fresa se melle o se rompa prematuramente.
- Cuando corte en una placa de yeso alrededor de cajas de distribución eléctrica, corte en dirección contraria al sentido de las manecillas del reloj para que le resulte más fácil.
- La fresa estándar incluida con esta herramienta es para cortar placas de yeso solamente. Cuando quiera cortar otros materiales distintos de placas de yeso, no utilice la fresa con guía para placa de yeso estándar.

Utilización de la fresa multiuso (accesorio opcional) (Fig. 9 y 10)

Cuando vaya a utilizar la fresa multiuso en el material, sujete la herramienta debidamente en un ángulo aproximado de 45 grados con el borde de la base de la zapata haciendo contacto con el material.

Lleve la herramienta a la posición recta con cuidado de forma que la base de la zapata haga contacto con el material completamente.

Guía circular (accesorio opcional)

Dímetros para corte circular: 10 cm – 34 cm

Instalación de la guía circular (Fig. 11, 12 y 13)

Afije el tornillo de palometa que sujeta la zapata.

Alinee los salientes en la guía circular con las ranuras en la zapata, y sujete la zapata y la guía circular con el tornillo de palometa.

Para ajustar la profundidad de corte, afloje el tornillo de palometa y después deslice la zapata con la guía circular. Después hacer el ajuste apropiado, apriete el tornillo de palometa firmemente.

Utilización de la guía circular (Fig. 14 y 15)

Afije el pomo, y ajuste su posición de acuerdo con el tamaño del círculo que va a cortar. (Las dimensiones del agujero a cortar están indicadas en el lateral de la guía circular a modo de guía general.) Después de completar el ajuste, apriete el pomo firmemente.

Instale el extremo del pomo en el centro del círculo a cortar, y proceda a cortar en dirección del sentido de las manecillas del reloj.

Tapa de vacío (accesorio opcional) (Fig. 16, 17 y 18)

Para realizar operaciones de forma más limpia, utilice la tapa de vacío y conecte la herramienta a un aspirador o colector de polvo Makita.

Afije el tornillo de palometa y retire la zapata. Coloque la tapa de vacío, y apriétela firmemente con el tornillo de palometa.

La guía circular (accesorio opcional) se puede instalar en la tapa de vacío.

Conecte la manguera de un aspirador/colector de polvo a la tapa de vacío. Cuando la conecte a un aspirador Makita, utilice una manguera opcional de 28 mm de diámetro interior.

Cuando la conecte a un colector de polvo Makita, conecte la manguera para el colector de polvo directamente a la boquilla de polvo.

MANTENIMIENTO

⚠ PRECAUCIÓN:

- Asegúrese siempre de que la herramienta esté apagada y el cartucho de batería extraído antes de intentar realizar una inspección o mantenimiento, excepto para la solución de problemas siguiente relacionada con la luz.
- No utilice nunca gasolina, bencina, disolvente, alcohol o similares. Podría producir descoloración, deformación o grietas.

Reemplazo de las escobillas de carbón (Fig. 19, 20 y 21)

Extraiga e inspeccione las escobillas de carbón regularmente. Reemplácelas cuando se hayan gastado hasta la marca límite. Mantenga las escobillas de carbón limpias de forma que entren libremente en los portaescobillas. Deberá reemplazar ambas escobillas de carbón al mismo tiempo. Utilice únicamente escobillas de carbón idénticas.

Inserte el extremo del destornillador de punta ranurada en la muesca de la herramienta y retire la cubierta de la tapa del portaescobilla levantándola.

Utilice un atornillador para quitar los tapones portaescobillas. Extraiga las escobillas desgastadas, inserte las nuevas y vuelva a colocar los tapones portaescobillas.

Vuelva a instalar la cubierta de la tapa del portaescobilla en la herramienta.

Para mantener la SEGURIDAD y la FIABILIDAD del producto, las reparaciones y cualquier otro mantenimiento o ajuste deberán ser realizados por los centros de servicio autorizado de Makita, siempre con piezas de repuesto de Makita.

ACCESORIOS OPCIONALES

⚠ PRECAUCIÓN:

- Estos accesorios o aditamentos están recomendados para su uso con la herramienta Makita especificada en este manual. El uso de cualquier otro accesorio o aditamento puede suponer un riesgo de lesiones personales. Utilice el accesorio o aditamento exclusivamente para su uso declarado.

Si necesita información más detallada sobre estos accesorios, consulte con su centro local de servicio de Makita.

- Fresa con guía para placa de yeso
- Fresa multiuso
- Cono de mandril de pinzas
- Llave
- Guía circular
- Tapa de vacío
- Batería y cargador genuinos de Makita

NOTA:

- Algunos elementos de la lista podrán estar incluidos en el paquete de la herramienta como accesorios estándar. Pueden variar de un país a otro.

Ruido

El nivel de ruido A-ponderado típico determinado de acuerdo con la norma EN60745:

Nivel de presión sonora (L_{pA}): 77 dB (A)

Incerteza (K): 3 dB (A)

El nivel de ruido en condiciones de trabajo puede que sobrepase los 80 dB (A).

Póngase protectores en los oídos

ENG900-1

Vibración

El valor total de la vibración (suma de vectores triaxiales) determinado de acuerdo con la norma EN60745:

Modo tarea: giro sin carga

Emisión de vibración (a_h): 2,5 m/s² o menos

Incerteza (K): 1,5 m/s²

ENG901-1

- El valor de emisión de vibración declarado ha sido medido de acuerdo con el método de prueba estándar y se puede utilizar para comparar una herramienta con otra.
- El valor de emisión de vibración declarado también se puede utilizar en una valoración preliminar de exposición.

⚠ ADVERTENCIA:

- La emisión de vibración durante la utilización real de la herramienta eléctrica puede variar del valor de emisión declarado dependiendo de las formas en las que la herramienta sea utilizada.
- Asegúrese de identificar medidas de seguridad para proteger al operario que estén basadas en una estimación de la exposición en las condiciones reales de utilización (teniendo en cuenta todas las partes del ciclo operativo tal como las veces cuando la herramienta está apagada y cuando está funcionando en vacío además del tiempo de gatillo).

Para países europeos solamente**Declaración de conformidad CE****Makita declara que la(s) máquina(s) siguiente(s):**

Designación de máquina:

Recortadora Inalámbrica

Modelo N°/ Tipo: DCO140, DCO180

Cumplen con las directivas europeas siguientes:

2006/42/CE

Están fabricadas de acuerdo con las normas o documentos normalizados siguientes:

EN60745

El archivo técnico de acuerdo con la norma 2006/42/CE está disponible en:

Makita, Jan-Baptist Vinkstraat 2, 3070, Bélgica

27.9.2013



Yasushi Fukaya

Director

Makita, Jan-Baptist Vinkstraat 2, 3070, Bélgica

Explicação geral

1 Indicador vermelho	10 Apertar	19 Mangueira 28
2 Botão	11 Desapertar	20 Mangueira para aspirador
3 Cartucho da bateria	12 Cone de engaste	21 Aspirador
4 Marcação de estrela	13 Broca	22 Colector de poeiras
5 Parafuso de orelhas	14 Projecções	23 Marca limite
6 Sapata	15 Guia circular	24 Cobertura da tampa do suporte
7 Interruptor deslizante	16 Botão	25 Chave de parafusos
8 Porca de engaste	17 Tampa de vácuo	26 Tampa do porta-escovas
9 Bloqueio do veio	18 Ferramenta	

ESPECIFICAÇÕES

Modelo	DCO140	DCO180
Capacidade da bucha de engaste	3 mm, 6 mm ou 1/8", 1/4"	3 mm, 6 mm ou 1/8", 1/4"
Velocidade nominal (n) / velocidade em vazio (n ₀)	30.000 min ⁻¹	30.000 min ⁻¹
Comprimento total	313 mm	313 mm
Peso líquido	1,6 kg	1,7 kg
Tensão nominal	14,4 V C.C	18 V C.C

- Devido a um programa contínuo de pesquisa e desenvolvimento, estas especificações podem ser alteradas sem aviso prévio.
- As especificações e a bateria podem variar de país para país.
- Peso, com a bateria, de acordo com o Procedimento 01/2003 da EPTA (European Power Tool Association)

ENE012-1

Utilização a que se destina

A ferramenta foi concebida para cortar gesso, madeira, plástico e azulejos de parede macios.

GEA010-1

Avisos gerais de segurança para ferramentas eléctricas

⚠ AVISO! Leia todos os avisos de segurança e todas as instruções. O não cumprimento de todos os avisos e instruções pode originar choque eléctrico, incêndio e/ou ferimentos graves.

Guarde todos os avisos e instruções para futuras referências.

GEB123-1

AVISOS DE SEGURANÇA DA RECORTADORA DE GESSO A BATERIA

1. **Segure na ferramenta eléctrica pelas superfícies de aderência isoladas, quando executar uma operação em que o acessório de corte possa entrar em contacto com fios ocultos.** O acessório de corte que entra em contacto com um fio "vivo" pode tornar as partes metálicas expostas da ferramenta eléctrica "vivas" e causar choque eléctrico ao operador.
2. **Use grampos ou outra forma prática de fixar e apoiar a peça de trabalho a uma plataforma estável.** Segurar na mão ou encostada ao corpo a peça em que está a trabalhar deixa-a instável e pode levar a perda de controlo.

3. **Use protecção ocular e máscara contra poeiras.**
4. **Ventile a área de trabalho adequadamente.**
5. **Antes de utilizar a ferramenta, verifique cuidadosamente se a broca não está trincada ou danificada. Substitua imediatamente as brocas trincadas ou danificadas.**
6. **Verifique se há uma folga suficiente por baixo da peça de trabalho antes de cortar de forma a que a broca não atinja uma superfície dura, como o piso, a bancada de trabalho, etc.**
7. **Não corte objectos metálicos, como pregos e parafusos. Inspeccione a peça de trabalho para ver se existem pregos, parafusos e outros materiais estranhos e retire-os antes da operação.**
8. **Certifique-se de que a broca não está em contacto com a peça de trabalho antes de ligar o interruptor. Segure sempre a ferramenta com as duas mãos quando ligar a ferramenta. O binário do motor pode fazer com que a ferramenta vire.**
9. **Antes de utilizar a ferramenta numa peça de trabalho real, deixe-a a funcionar durante algum tempo. Observe se há vibrações ou tremores que possam indicar uma broca mal instalada.**
10. **Certifique-se de que o bloqueio do veio está libertado antes de ligar o interruptor.**
11. **Utilize sempre com a sapata bem presa na ferramenta e firmemente encostada à peça de trabalho.**
12. **Segure a ferramenta firmemente.**
13. **Não realize quaisquer operações utilizando as mãos para apoiar ou guiar a peça de trabalho.**
14. **Mantenha as mãos afastadas das partes em movimento.**
15. **Não utilize esta ferramenta para furar.**
16. **Não deixe a ferramenta a funcionar. Opere a ferramenta apenas quando a estiver a agarrar.**
17. **Desligue sempre a ferramenta e aguarde que a broca pare completamente antes de remover a broca da peça de trabalho.**

18. Não toque na broca ou na peça de trabalho imediatamente após a operação; podem estar extremamente quentes e queimar a sua pele.
19. Tenha toda a atenção no que se refere à necessidade de utilizar instrumentos de corte com o diâmetro de haste correcto e que sejam adequados à velocidade da ferramenta.
2. Nunca carregue uma bateria completamente carregada. Carregamento excessivo diminui a vida útil da bateria.
3. Carregue a bateria à temperatura ambiente de 10°C – 40°C. Deixe que uma bateria quente arrefeça antes de a carregar.
4. Carregue a bateria uma vez a cada seis meses se não for utilizá-la por um longo período de tempo.

GUARDE ESTAS INSTRUÇÕES.

⚠ AVISO:

NÃO permita que conforto ou familiaridade com o produto (adquirido com o uso repetido) substitua a aderência estrita às regras de segurança da ferramenta. **MÁ INTERPRETAÇÃO** ou não seguimento das regras de segurança estabelecidas neste manual de instruções pode causar danos pessoais sérios.

ENC007-8

INSTRUÇÕES DE SEGURANÇA IMPORTANTES

PARA A BATERIA

1. Antes de utilizar a bateria, leia todas as instruções e etiquetas de precaução no (1) carregador de bateria (2) bateria e (3) produto que utiliza a bateria.
2. Não abra a bateria.
3. Se o tempo de funcionamento se tornar excessivamente curto, pare imediatamente a operação. Pode resultar em sobreaquecimento, possíveis queimaduras e mesmo explosão.
4. Se entrar electrólito nos seus olhos, lave-os com água limpa e consulte imediatamente um médico. Pode resultar em perda de visão.
5. Não corte-circuite a bateria:
 - (1) Não toque nos terminais com qualquer material condutor.
 - (2) Evite guardar a bateria juntamente com outros objectos metálicos tais como pregos, moedas, etc.
 - (3) Não exponha a bateria à água nem à chuva. Um curto-circuito da bateria pode ocasionar um enorme fluxo de corrente, sobreaquecimento, possíveis queimaduras e mesmo avaria.
6. Não guarde a ferramenta e a bateria em locais onde a temperatura possa atingir ou exceder os 50°C.
7. Não queime a bateria mesmo que esteja estragada ou completamente gasta. A bateria pode explodir no fogo.
8. Tenha cuidado para não deixar cair ou dar pancadas na bateria.
9. Não utilize uma bateria danificada.
10. Siga os seus regulamentos locais relativos à eliminação da bateria.

GUARDE ESTAS INSTRUÇÕES.

Conselhos para manter a máxima vida útil da bateria

1. Carregue a bateria antes que esteja completamente descarregada. Pare sempre o funcionamento da ferramenta e carregue a bateria quando notar menos potência na ferramenta.

DESCRIÇÃO FUNCIONAL

⚠ PRECAUÇÃO:

- Certifique-se sempre de que a ferramenta está desligada e a bateria retirada antes de regular ou verificar qualquer função na ferramenta.

Instalação ou remoção do cartucho da bateria (Fig. 1)

⚠ PRECAUÇÃO:

- Desligue sempre a ferramenta antes de instalar ou retirar o cartucho da bateria.
- **Segure firmemente na ferramenta e no cartucho da bateria quando instalar ou retirar o cartucho da bateria.** Se não segurar firmemente na ferramenta e no cartucho da bateria pode dar origem a que escorreguem das suas mãos e daí resultar danos para a ferramenta e para o cartucho da bateria e ferimentos corporais.

Para retirar o cartucho da bateria, deslize-o da ferramenta enquanto desliza o botão na parte da frente do cartucho.

Para instalar o cartucho da bateria, alinhe a lingueta no cartucho da bateria com o entalhe na caixa e deslize-o para o lugar. Insira-o até ao fim, até bloquear no lugar com um pequeno estalido. Se conseguir ver o indicador vermelho no lado superior do botão, não está bloqueado completamente.

⚠ PRECAUÇÃO:

- Instale sempre o cartucho da bateria por completo até o indicador vermelho não ser visto. Se isso não acontecer, pode cair acidentalmente da ferramenta, causando-lhe ferimentos a si ou alguém perto de si.
- Não instale o cartucho da bateria fazendo força. Se o cartucho não deslizar com facilidade para dentro do aparelho, é porque não está a ser instalado correctamente.

Sistema de protecção da bateria (Fig. 2)

A ferramenta está equipada com um sistema de protecção da bateria.

Este sistema corta automaticamente a energia ao motor para aumentar a duração da bateria.

A ferramenta pára automaticamente durante a operação se a ferramenta e/ou a bateria estiverem sujeitas a uma das seguintes condições:

- Sobrecarga:
 - A ferramenta é operada de modo que a obriga a puxar uma corrente anormalmente elevada.
 - Neste caso, desligue a ferramenta e pare a aplicação que provocou a sobrecarga da ferramenta. Depois, ligue a ferramenta para rearrancá-la.
 - Se a ferramenta não iniciar, a bateria sobreaqueceu. Nesta situação, deixe a bateria arrefecer antes de tentar voltar a ligar a ferramenta.

- Tensão baixa da bateria:

A capacidade restante da bateria é demasiada baixa e a ferramenta não funcionará. Nesta situação, retire e recarregue a bateria.

NOTA:

- A protecção contra sobreaquecimento só funciona com um cartucho de bateria que tenha a marca de uma estrela.

Ajustar a profundidade do corte (Fig. 3)

Para ajustar a sapata, solte o parafuso de orelhas. Deslize a sapata para a posição pretendida e aperte o parafuso de orelhas em segurança. Verifique se há uma folga suficiente por baixo da peça de trabalho antes de cortar para não atingir uma superfície dura, como o piso, a bancada de trabalho, etc.

Acção do interruptor (Fig. 4)

⚠ PRECAUÇÃO:

- Antes de instalar o cartucho da bateria na ferramenta, verifique-a sempre para garantir que o interruptor deslizante funciona adequadamente e volta à posição "OFF" (desligado) quando a parte de trás do interruptor deslizante é pressionada.

Para ligar a ferramenta, deslize o interruptor deslizante na direcção da posição "I (ON)". Para operação contínua, carregue na parte da frente do interruptor deslizante para o bloquear.

Para parar a ferramenta, prima a parte traseira do interruptor deslizante, depois deslize-o na direcção da posição "O (OFF)".

Função de prevenção contra re-arranque acidental

Mesmo que o cartucho da bateria seja instalado na ferramenta com o interruptor deslizante na posição "I (ON)" (ligado), a ferramenta não começa a funcionar. Para pôr a ferramenta a trabalhar, primeiro, faça deslizar o interruptor deslizante em direcção à posição "O (OFF)" (desligado) e depois, em direcção à posição "I (ON)" (ligado).

ASSEMBLAGEM

⚠ PRECAUÇÃO:

- Certifique-se sempre de que a ferramenta está desligada e a bateria retirada antes de regular ou verificar qualquer função na ferramenta.

Instalar ou retirar a broca (Fig. 5)

⚠ PRECAUÇÃO:

- Não aperte a porca de engaste sem instalar uma broca, caso contrário, o cone de engaste pode partir-se.

Prima o bloqueio do veio para evitar a rotação do mesmo quando se instala ou remove a broca.

Para instalar a broca, coloque-a no cone de engaste inserindo-a até onde for possível e aperte a porca de engaste em segurança utilizando a sapata como chave. Para retirar a broca, siga o procedimento de instalação pela ordem inversa.

Mudar o cone de engaste (específico do país) (Fig. 6)

⚠ PRECAUÇÃO:

- Utilize o cone de engaste do tamanho correcto relativamente à broca que pretende utilizar.
- Não aperte a porca de engaste sem instalar uma broca, caso contrário, o cone de engaste pode partir-se.

Para mudar o cone de engaste, solte a porca de engaste e retire-o. Retire o cone de engaste instalado e substitua-o pelo pretendido. Volte a instalar a porca de engaste.

OPERAÇÃO

⚠ PRECAUÇÃO:

- Evite forçar a broca a dobrar ou torcer. Pode partir-se.
- Antes de ligar a ferramenta, certifique-se de que a broca e a porca de engaste estão apertadas em segurança.

Use na ferramenta em segurança com a broca a apontar para uma direcção segura e sem estar em contacto com nenhuma superfície. Ligue a ferramenta e aguarde até a ferramenta atingir a velocidade máxima. (Fig. 7)

Quando se utiliza a broca-guia para gesso cartonado numa peça de gesso cartonado, insira cuidadosamente a broca a direito até a base da sapata estar totalmente em contacto com o material.

Mova a ferramenta lentamente com uma pressão constante no sentido dos ponteiros do relógio para realizar o corte. (Fig. 8)

Quando cortar em linha recta, prenda firmemente com grampos uma tábua recta ao material e utilize-a como guia. Mova a ferramenta na direcção da seta com a base da sapata ao nível da lateral da tábua-guia.

Quando o corte está concluído, desligue a ferramenta e aguarde que a broca pare de rodar. Então, retire-a cuidadosamente do material.

NOTA:

- Quando se utiliza esta ferramenta, a acção de rotação faz com que a ferramenta puxe. Quanto menos pressão se aplicar na ferramenta, menos ela puxa proporcionando um corte mais preciso. Uma pressão excessiva ou um corte rápido pode fazer com que a broca dobre ou parta prematuramente.
- Quando se corta gesso cartonado em volta de caixas de saída, corte no sentido contrário ao dos ponteiros do relógio para o trabalho ser mais fácil.
- A broca standard incluída com esta ferramenta serve para cortar apenas gesso cartonado. Para cortar outros materiais além do gesso cartonado, não utilize a broca-guia para gesso cartonado standard.

Utilizar a broca multiusos (acessório opcional) (Fig. 9 e 10)

Quando se utiliza uma broca multiusos no material, segure a ferramenta num ângulo de aproximadamente 45 graus com a extremidade da base da sapata em contacto com o material.

Coloque cuidadosamente a ferramenta numa posição recta de modo a que a base da sapata esteja completamente em contacto com o material.

Guia circular (acessório opcional)

Diâmetros do corte circular: 10 cm – 34 cm

Instalar a guia circular (Fig. 11, 12 e 13)

Solte o parafuso de orelhas que fixa a sapata.

Alinhe as projecções na guia circular com as ranhuras na sapata e fixe a sapata e a guia circular com o parafuso de orelhas.

Para ajustar a profundidade de corte, solte o parafuso de orelhas e deslize a sapata com a guia circular. Após o ajuste adequado, aperte o parafuso de orelhas em segurança.

Utilizar a guia circular (Fig. 14 e 15)

Solte o botão e ajuste a sua posição de acordo com o tamanho do círculo a ser cortado. (As dimensões do furo a cortar estão indicados na parte lateral da guia circular, como linha de orientação geral.) Depois de completar o ajuste, aperte o botão em segurança.

Instale a extremidade do botão no centro do círculo a cortar e continue a cortar no sentido dos ponteiros do relógio.

Tampa de vácuo (acessório opcional) (Fig. 16, 17 e 18)

Para realizar as operações de limpeza, utilize a tampa de vácuo e ligue a ferramenta ao colector de poeira ou aspirador Makita.

Solte o parafuso de orelhas e retire a sapata. Fixe a tampa de vácuo e aperte-a em segurança com o parafuso de orelhas.

A guia circular (acessório opcional) pode ser instalada na tampa de vácuo.

Ligue a mangueira de um aspirador/colector de poeira à tampa de vácuo. Quando ligar ao aspirador Makita, utilize uma mangueira opcional com um diâmetro interno de 28 mm.

Quando ligar a um colector de poeira Makita, ligue a mangueira do colector de poeira directamente ao bocal para recolha de poeira.

MANUTENÇÃO

⚠ PRECAUÇÃO:

- Certifique-se sempre de que a ferramenta esteja desligada e a bateria retirada antes de executar qualquer inspecção ou manutenção na ferramenta, excepto ao solucionar os problemas seguintes relacionados com a lâmpada.
- Nunca utilize gasolina, benzina, diluente, álcool ou produtos semelhantes. Pode ocorrer a descoloração, deformação ou rachaduras.

Substituição das escovas de carvão (Fig. 19, 20 e 21)

Retire e verifique regularmente as escovas de carvão. Substitua-as quando estiverem gastas até à marca limite. Mantenha as escovas de carvão limpas e a deslizarem nos suportes. As duas escovas de carvão devem ser substituídas ao mesmo tempo. Só utilize escovas de carvão idênticas.

Insira a extremidade superior de uma chave de fendas dentro da ranhura da ferramenta e retire a cobertura da tampa do suporte levantando-a.

Utilize uma chave de parafusos para retirar as tampas do porta-escovas. Retire as escovas de carvão usadas, coloque as novas e prenda as tampas dos porta-escovas.

Volte a instalar a cobertura da tampa do suporte na ferramenta.

Para manter a SEGURANÇA e FIABILIDADE, as reparações e outras acções de manutenção ou ajustes devem ser executados pelos centros de assistência autorizados da Makita, utilizando sempre peças de substituição Makita.

ACESSÓRIOS OPCIONAIS

⚠ PRECAUÇÃO:

- Estes acessórios ou peças são recomendados para utilização com a ferramenta Makita especificada neste manual. A utilização de outros acessórios ou peças pode ser perigosa para as pessoas. Utilize apenas acessórios ou peças para os fins indicados.

Se precisar de ajuda para obter mais informações relativas a estes acessórios, entre em contacto com o centro de assistência Makita local.

- Broca-guia para gesso cartonado
- Broca multiusos
- Cone de engaste
- Chave
- Guia circular
- Tampa de vácuo
- Bateria e carregador genuínos da Makita

NOTA:

- Alguns itens da lista podem estar incluídos na embalagem da ferramenta como acessórios padrão. Eles podem variar de país para país.

ENG905-1

Ruído

A característica do nível de ruído A determinado de acordo com EN60745:

Nível de pressão de som (L_{pA}): 77 dB (A)

Variabilidade (K): 3 dB (A)

O nível de ruído durante o trabalho pode exceder 80 dB (A).

Utilize protectores para os ouvidos

ENG900-1

Vibração

O valor total da vibração (soma vectorial tri-axial) determinado de acordo com EN60745:

Modo de funcionamento: rotação sem carga

Emissão de vibração (a_{h1}): 2,5 m/s² ou inferior

Variabilidade (K): 1,5 m/s²

- O valor da emissão de vibração indicado foi medido de acordo com o método de teste padrão e pode ser utilizado para comparar duas ferramentas.
- O valor da emissão de vibração indicado pode também ser utilizado na avaliação preliminar da exposição.

⚠️ AVISO:

- A emissão de vibração durante a utilização real da ferramenta eléctrica pode diferir do valor de emissão indicado, dependendo das formas como a ferramenta é utilizada.
- Certifique-se de identificar as medidas de segurança para protecção do operador que sejam baseadas em uma estimativa de exposição em condições reais de utilização (considerando todas as partes do ciclo de operação, tal como quando a ferramenta está desligada e quando está a funcionar em marcha lenta além do tempo de accionamento).

ENH101-17

Só para países Europeus

Declaração de conformidade CE

A Makita declara que a(s) seguinte(s) máquina(s):

Designação da ferramenta:

Recortadora de Gesso a Bateria

Modelos n°/Tipo: DCO140, DCO180

Em conformidade com as seguintes directivas europeias:

2006/42/CE

São fabricadas de acordo com as seguintes normas ou documentos normalizados:

EN60745

O ficheiro técnico de acordo com a 2006/42/CE está disponível em:

Makita, Jan-Baptist Vinkstraat 2, 3070, Bélgica

27.9.2013



Yasushi Fukaya
Director

Makita, Jan-Baptist Vinkstraat 2, 3070, Bélgica

Illustrationsoversigt

1 Rød indikator	10 Stram	19 Slange 28
2 Knap	11 Løsn	20 Slange til støvsuger
3 Akku	12 Spændepatronkegle	21 Støvsuger
4 Stjernemærke	13 Bor	22 Støvopsamler
5 Vingeskrue	14 Fremspring	23 Grænsemærke
6 Sko	15 Rund guide	24 Holderhættedæksel
7 Skydeknap	16 Knap	25 Skruetrækker
8 Spændepatronmøtrik	17 Vakuumdæksel	26 Kulbørsteholderdæksel
9 Aksellås	18 Værktøj	

SPECIFIKATIONER

Model	DCO140	DCO180
Spændetangkapacitet	3 mm, 6 mm eller 1/8", 1/4"	3 mm, 6 mm eller 1/8", 1/4"
Nominal hastighed (n) / Hastighed uden belastning (n ₀)	30 000 min ⁻¹	30 000 min ⁻¹
Længde i alt	313 mm	313 mm
Nettovægt	1,6 kg	1,7 kg
Mærkespænding	D.C. 14,4 V	D.C. 18 V

- På grund af vores kontinuerlige forskningsprogrammer og udvikling, kan hosstående specifikationer blive ændret uden varsel.
- Specifikationer og akku kan variere fra land til land.
- Vægt inklusive akku, i henhold til EPTA-Procedure 01/2003

ENE012-1

Tilslået anvendelse

Dette værktøj er beregnet til at skære gips, træ, plastic og bløde vægfliser.

GEA010-1

Almindelige sikkerhedsregler for el-værktøj

⚠ ADVARSEL! Læs alle sikkerhedsadvarsler og alle sikkerhedsinstruktioner. Hvis nedenstående advarsler og instruktioner ikke overholdes, kan resultatet blive elektrisk stød, brand og/eller alvorlig personskade.

Gem alle advarsler og instruktioner til fremtidig reference.

GEB123-1

SIKKERHEDSADVARSLER FOR AKKU-SKÆREMASKINE

1. Hold el-værktøjet i de isolerede grebflader, når der udføres et arbejde, hvor skæretilbehøret kan komme i kontakt med skjulte ledninger. Skæretilbehør, som kommer i kontakt med en "strømførende" ledning, kan gøre el-værktøjets ikke-isolerede metaldele "strømførende", hvilket kan give operatøren elektrisk stød.
2. Anvend klamper eller en anden praktisk måde til at fastgøre og understøtte arbejdsområdet til en stabil platform. Hvis De holder arbejdsstykket med hånden eller mod kroppen, vil det blive ustabil, og De risikerer at miste herredømmet over det.
3. Brug øjenbeskyttelse og støvmaske.
4. Sørg for tilstrækkelig ventilation på arbejdsstedet.

5. Kontroller omhyggeligt boret for revner eller beskadigelse inden brug. Skift straks et revnet eller beskadiget bor ud.
6. Kontroller, at afstanden under arbejdsstykket er korrekt, inden De skærer, således at boret ikke rammer en hård overflade, som f.eks. gulvet, arbejdsbænken etc.
7. Skær ikke metalgenstande som f.eks. søm og skruer. Se efter, om der er søm, skruer og andre fremmedlegemer og fjern dem i så fald fra arbejdsstykket, inden arbejdet påbegyndes.
8. Kontroller, at boret ikke er i kontakt med arbejdsstykket, inden afbryderen slås til. Hold altid værktøjet med begge hænder, mens De tænder for den. Motorens drejningsmoment kan bevirke, at værktøjet drejer.
9. Inden værktøjet anvendes på et arbejdsstykke, skal man lade den køre i et stykke tid. Se efter vibration eller slør, som kan indikere et forkert monteret bor.
10. Sørg for, at aksellåsen er udløst, inden afbryderen slås til.
11. Skal altid bruges med skoen sikkert monteret på værktøjet og placeret fladt og fast mod arbejdsstykket.
12. Hold godt fast i værktøjet.
13. Udfør ikke noget arbejde med brug af begge hænder til at støtte eller guide arbejdsstykket.
14. Hold hænderne væk fra bevægende dele.
15. Brug ikke dette værktøj til boring.
16. Lad ikke værktøjet køre i tomgang. Anvend kun værktøjet håndholdt.
17. Sluk altid for værktøjet og vent, til boret er standset helt, inden De fjerner boret fra arbejdsstykket.
18. Rør ikke ved boret eller arbejdsstykket umiddelbart efter arbejdet, da de kan være meget varme og kan give hudforbrændinger.

19. Vær opmærksom på nødvendigheden af at anvende skæredede med korrekt skaftdiameter og som er passende til værktøjets hastighed.

GEM DENNE BRUGSANVISNING.

⚠ ADVARSEL:

LAD IKKE bekvemmelighed eller kendskab til produktet (opnået gennem gentagen brug) forhindre, at sikkerhedsforskrifterne for produktet nøje overholdes. MISBRUG eller forsømmelse af at følge de i denne brugsvejledning givne sikkerhedsforskrifter kan føre til, at De kommer alvorligt til skade.

ENC007-8

VIGTIGE SIKKERHEDSINSTRUKTIONER

FOR AKKU

1. Læs alle instruktioner og advarselmærkater på (1) akku opladeren, (2) akku og (3) produktet, som anvender akku.
2. Lad være med at skille akkuen ad.
3. Stop straks brugen, hvis driftstiden er blevet stærkt afkortet. Fortsat anvendelse kan resultere i risiko for overophedning, forbrændinger og endog eksplosion.
4. Hvis De har fået elektrolyt i øjnene, skal De straks skylle den ud med rent vand og øjeblikkeligt søge lægehjælp. I modsat fald kan De risikere at miste synet.
5. Vær påpasselig med ikke at komme til at kortslutte akkuen:
 - (1) Rør ikke ved terminalerne med ledende materiale.
 - (2) Undgå at opbevare akkuer i en beholder sammen med andre metalgenstande, såsom søm, mønter etc.
 - (3) Udsæt ikke akkuen for vand eller regn. Kortslutning af akkuen kan være årsag til en kraftig øgning af strømmen, overophedning, mulige forbrændinger og endog maskinstop.
6. Opbevar ikke værktøjet og akkuen på steder, hvor temperaturen kan nå op på eller overstige 50°C.
7. Lad være med at brænde akkuen, selv ikke i tilfælde, hvor det har lidt alvorlig skade eller er fuldstændig udtjent. Akkuen kan eksplodere, hvis man forsøger at brænde den.
8. Lad være med at brænde akkuen eller udsætte det for stød.
9. Anvend ikke en beskadiget akku.
10. Følg de lokale regler angående bortskaffelse af akkuer.

GEM DENNE BRUGSANVISNING.

Tips til opnåelse af maksimal akku-levetid

1. Oplad altid akkuen, inden den er helt afladet. Stop altid værktøjet og oplad akkuen, hvis det bemærkes, at maskineffekten er dalende.
2. Genoplad aldrig en fuldt opladet akku. Overopladning vil afkorte akkuens levetid.
3. Oplad akkuen ved en stuetemperatur på 10°C – 40°C. Lad altid en varm akku få tid til at køle af, inden den oplades.
4. Oplad akkuen en gang hver sjette måned, hvis den ikke anvendes i et længere tidsrum.

FUNKTIONSBESKRIVELSE

⚠ FORSIGTIG:

- Vær altid sikker på, at værktøjet er afbrudt og akkuen fjernet, inden De justerer eller kontrollerer funktionen af værktøjet.

Installation og fjernelse af akkuen (Fig. 1)

⚠ FORSIGTIG:

- Sluk altid for værktøjet, inden De installerer eller fjerner akkuen.
- Hold godt fast i værktøjet og akkuen, når akkuen installeres eller fjernes. Forsømmelse af at holde værktøjet og akkuen fast kan bevirke, at de glider af hænde med beskadigelse af værktøjet og akkuen og tilskadekomst til følge.

For at fjerne akkuen, skal man skyde den fra værktøjet, idet man skyder knappen på forsiden af akkuen i stilling. For at installere akkuen, skal man sætte tungen på akkuen ud for rillen i huset og skyde den på plads. Sæt den helt ind, så den låses fast med et lille klik. Hvis den røde indikator på oversiden af knappen er synlig, betyder det, at den ikke er helt låst.

⚠ FORSIGTIG:

- Sæt altid akkuen helt ind, så den røde indikator ikke kan ses. Hvis den ikke er sat helt ind, kan den ved et uheld falde ud af værktøjet, hvorved omkringstående eller De selv kan komme til skade.
- Sæt ikke akkuen i med magt. Hvis akkuen ikke glider nemt ind, betyder det, at den ikke installeres korrekt.

Akkubeskyttelsessystem (Fig. 2)

Værktøjet er udstyret med et akku-beskyttelsessystem. Dette system afbryder automatisk strømmen til motoren, så akkuens levetid forlænges.

Værktøjet vil automatisk stoppe under anvendelsen, hvis værktøjet og/eller akkuen er i en af de følgende tilstande:

- Overbelastet:

Værktøjet køres på en måde, der bevirker, at den forbruger en unormalt høj strøm.

Sluk i dette tilfælde for værktøjet og stop den anvendelse, der bevirkede, at værktøjet blev overbelastet. Start derefter værktøjet igen ved at tænde for den.

Hvis værktøjet ikke starter, er det fordi akkuen er overophedet. Lad i denne situation akkuen køle af, inden De igen tænder for værktøjet.

- Lav akku-spænding:

Den tilbageværende akku-kapacitet er for lav og værktøjet vil ikke køre. Fjern i dette tilfælde akkuen og oplad den.

BEMÆRK:

- Overophedningsbeskyttelsen fungerer kun med en akku med stjernemærke.

Indstilling af snitdybden (Fig. 3)

For at indstille skoen, skal man løsne vingeskruen. Skyd skoen til den ønskede stilling og stram derefter vingeskruen godt til. Kontroller, at afstanden under arbejdsstykket er korrekt, inden De skærer, for ikke at ramme en hård overflade, som f.eks. gulvet, arbejdsbænken etc.

Afbryderanvendelse (Fig. 4)

FORSIGTIG:

- Inden akkuen sættes i værktøjet, skal man altid kontrollere, at skydeknappen fungerer ordentligt og returnerer til "OFF"-stillingen, når den bageste del af skydeknappen trykkes ned.

Start værktøjet ved at skyde skydeknappen mod "I (ON)" positionen. For kontinuerlig brug skal man trykke på forsiden af skydekontaktten for at låse den.

Stop værktøjet ved at trykke på den bageste del af skydeknappen og derefter skyde den mod "O (OFF)" positionen.

Funktion for forhindring af utilsigtet genstart

Selv hvis akkuen er monteret på værktøjet med skydeknappen i "I (ON)"-stilling, starter værktøjet ikke.

For at starte værktøjet, skal man først skyde knappen fremad mod "O (OFF)"-stillingen og derefter skyde den mod "I (ON)"-stillingen.

SAMLING

FORSIGTIG:

- Vær altid sikker på, at værktøjet er afbrudt og akkuen fjernet, inden De justerer eller kontrollerer funktionen af værktøjet.

Montering og afmontering af boret (Fig. 5)

FORSIGTIG:

- Stram ikke spændepatronmøtrikken uden at boret er monteret, da spændepatronkeglen derved kan brække.

Tryk på aksellåsen for at forhindre akselrotation, når boret monteres eller afmonteres.

For at montere boret, skal man sætte det så langt ind i spændepatronkeglen som det kan komme og derefter stramme spændepatronmøtrikken godt til med skoen som nøgle.

Boret fjernes ved at man følger monteringsproceduren i modsat rækkefølge.

Udskiftning af spændepatronkeglen (landespecifik) (Fig. 6)

FORSIGTIG:

- Brug en spændepatronkegle af korrekt størrelse til det bor, De agter at anvende.
- Stram ikke spændepatronmøtrikken uden at boret er monteret, da spændepatronkeglen derved kan brække.

For at skifte spændepatronkegle, skal man løsne spændepatronmøtrikken og fjerne spændepatronkeglen. Fjern den monterede spændepatronkegle og monter den ønskede spændepatronkegle. Monter spændepatronmøtrikken igen.

BETJENING

FORSIGTIG:

- Undgå at tvinge boret til at bøje sig eller vrides. Det kan bryde.
- Inden der tændes for værktøjet, skal man kontrollere, at boret og spændepatronmøtrikken er ordentligt strammet.

Hold værktøjet fast med boret vendt i en sikker retning uden kontakt med nogen overflade. Tænd for værktøjet og vent, til den er kommet op på fuld hastighed. (Fig. 7)

Når et guidebor til tørmur bruges i en tørmur, skal man forsigtigt sætte boret lige ind, så skoens underside kontakter materialet helt.

Bevæg værktøjet langsomt op et konstant tryk i retningen med uret for at udføre snittet. (Fig. 8)

Når der skæres i en lige linje, skal man spænde en plan plade fast på materialet og bruge det som en guide. Bevæg værktøjet i retningen vist med pilen med skoens underside ud for siden af guidepladen.

Når snittet er fuldført, skal man slukke for værktøjet og vente til boret er holdt op med at dreje og derefter fjerne det forsigtigt fra materialet.

BEMÆRK:

- Når dette værktøj anvendes, vil rotationskraften bevirke, at der trækkes i værktøjet. Et mindre tryk på værktøjet medfører et mindre træk og giver et mere nøjagtigt snit. Et ekstremt tryk eller en hurtig skæring kan bevirke, at boret for tidligt bliver sløvt eller brækker.
- Ved tørmursskæring omkring udtagskasser, skal der skæres i retningen mod uret for at gøre skæringen nemmere.
- Det standardbor, som følger med dette værktøj, er kun beregnet til tørmursskæring. Når der skæres i andre materialer end tørmur, må standard tørmursguideboret ikke anvendes.

Anvendelse af multifunktionsbor (ekstraudstyr) (Fig. 9 og 10)

Når multifunktionsboret indsættes i materialet, skal man holde værktøjet i en vinkel på ca. 45 grader med kanten af skoens underside i kontakt med materialet.

Før værktøjet forsigtigt til en lige stilling, således at skoens underside kontakter materialet helt.

Rund guide (ekstraudstyr)

Runde skærediametre: 10 cm – 34 cm

Montering af den runde guide (Fig. 11, 12 og 13)

Løsn den vingeskrue, der fastholder skoen.

Sæt fremspringene på den runde guide ud for rillerne i skoen, og fastgør skoen og den runde guide med vingeskruen.

Skæredybden indstilles ved at man løsner vingeskruen og derefter skyder skoen med den runde guide på plads. Efter at den korrekte indstilling er udført, strammes vingeskruen godt til.

Anvendelse af den runde guide (Fig. 14 og 15)

Løsn knappen og indstil dens stilling i overensstemmelse med størrelsen af den cirkel, der skal skæres. (Målene for det hul, der skal skæres, er angivet på siden af den runde guide som en generel retningslinje.) Stram knappen godt til, når indstillingen er fuldført.

Sæt enden af knappen ind i midten af den cirkel, der skal skæres, og fortsæt med at skære i retningen med uret.

Vakuumdæksel (ekstraudstyr) (Fig. 16, 17 og 18)

For at udføre rengøringsarbejde skal man bruge vakuumdækslet og slutte værktøjet til en Makita støvsuger eller støvsopsamler.

Løsn vingeskruen og fjern skoen. Påmonter vakuumdækslet og fastgør det godt med vingeskruen. Den runde guide (ekstraudstyr) kan monteres på vakuumdækslet.

Slut slangen på en støvsuger/støvopsamler til vakuumdækslet. Brug en slange (ekstraudstyr) med en indvendig diameter på 28 mm, når der sluttes til en Makita støvsuger.

Når der sluttes til en Makita støvopsamler, skal man slutte slangen for støvopsamleren direkte til støvmundstykket.

VEDLIGEHOJDELSE

⚠ FORSIGTIG:

- Sørg altid for, at maskinen er slukket, og akkuen er taget ud, før De forsøger at udføre eftersyn eller vedligeholdelse, med undtagelse af fejlfinding relateret til lyset.
- Anvend aldrig benzin, rensbenzin, fortynder, alkohol og lignende. Resultatet kan blive misfarvning, deformation eller revner.

Udskiftning af kulbørster (Fig. 19, 20 og 21)

Tag kulbørsterne ud og efterse dem med jævne mellemrum. Skift dem ud, når de er slidt ned til grænsemærket. Hold kulbørsterne rene og i stand til frit at glide ind i holderne. Begge kulbørster skal udskiftes samtidigt. Anvend kun identiske kulbørster.

Sæt den øverste ende af en kærvboreskruetrækker ind i hakket på værktøjet og fjern holderhættedækslet ved at løfte det.

Benyt en skruetrækker til at afmontere kulbørsteholderdækslerne. Tag de slidte kulbørster ud, sæt de nye i, og fastgør derefter kulbørsteholderdækslerne.

Sæt holderhættedækslet på værktøjet igen.

For at opretholde produktets SIKKERHED og PÅLIDELIGHED bør reparation, vedligeholdelse og justering kun udføres af et Makita service center med anvendelse af original Makita udskiftningsdele.

EKSTRAUDSTYR

⚠ FORSIGTIG:

- Det følgende tilbehør og ekstraudstyr er anbefalet til brug med Deres Makita værktøjet, der er beskrevet i denne brugsanvisning. Anvendelse af andet tilbehør eller ekstraudstyr kan udgøre en risiko for personskade. Anvend kun tilbehør og ekstraudstyr til det beskrevne formål.

Hvis De har behov for yderligere detaljer om dette tilbehør, bedes De kontakte Deres lokale Makita service center.

- Tørmursguidebor
- Multifunktionsbor
- Spændepatronkegle
- Nøgle
- Rund guide
- Vakuumdæksel
- Original Makita-akku og oplader

BEMÆRK:

• Nogle ting på denne liste kan være inkluderet i værktøjsspakken som standardtilbehør. Det kan være forskelligt fra land til land.

Lyd

Det typiske A-vægtede støjniveau bestemt i overensstemmelse med EN60745:

Lydtryksniveau (L_{pA}): 77 dB (A)

Usikkerhed (K): 3 dB (A)

Støjniveauet under arbejde kan overstige 80 dB (A).

Bær hørevern

ENG900-1

Vibration

Vibrations totalværdi (tre-aksial vektorsum) bestemt i overensstemmelse med EN60745:

Arbejdsindstilling: rotation uden belastning

Vibrationsafgivelse (a_{h1}): 2,5 m/s² eller mindre

Usikkerhed (K): 1,5 m/s²

ENG901-1

- Den angivne vibrationsemissionsværdi er blevet målt i overensstemmelse med standardtestmetoden og kan anvendes til at sammenligne et værktøj med et andet.
- Den angivne vibrationsemissionsværdi kan også anvendes i en præliminær eksponeringsvurdering.

⚠ ADVARSEL:

- Vibrationsemissionen under den faktiske anvendelse af værktøjet kan være forskellig fra den erklærede emissionsværdi, afhængigt af den måde, hvorpå værktøjet anvendes.
- Sørg for at identificere de sikkerhedsforskrifter til beskyttelse af operatøren, som er baseret på en vurdering af eksponering under de faktiske brugsforhold (med hensyntagen til alle dele i brugscyklen, som f.eks. de gange, hvor værktøjet er slukket og når den kører i tomgang i tilgits afbrydertiden).

ENH101-17

Kun for lande i Europa

EU-konformitetserklæring

Makita erklærer, at den følgende maskine (maskiner):

Maskinens betegnelse:

Akku-skæremaskine

Model nr./ Type: DCO140, DCO180

Er i overensstemmelse med de europæiske direktiver:

2006/42/EU

De er fremstillet i overensstemmelse med den følgende standard eller standardiserede dokumenter:

EN60745

Den tekniske fil, som er i overensstemmelse med 2006/42/EU, er tilgængelig fra:

Makita, Jan-Baptist Vinkstraat 2, 3070, Belgien

27.9.2013



Yasushi Fukaya
Direktør

Makita, Jan-Baptist Vinkstraat 2, 3070, Belgien

Περιγραφή γενικής άποψης

1	Κόκκινη ένδειξη	10	Σφιζίτε	19	Εύκαμπτος σωλήνας 28
2	Κουμπί	11	Χαλάρωμα	20	Εύκαμπτος σωλήνας για ηλεκτρική σκούπα
3	Κασέτα μπαταρίας	12	Κώνος κολάρου	21	Ηλεκτρική σκούπα
4	Ένδειξη αστεριού	13	Μύτη	22	Συλλεκτής σκόνης
5	Βίδα χειρός	14	Προεξοχές	23	Σημάδι ορίου
6	Πέλημα	15	Κυκλικός οδηγός	24	Κάλυμμα καπακιού στηρίγματος
7	Κυλιόμενος διακόπτης	16	Κομβίο	25	Κατσαβίδι
8	Παξιμάδι κολάρου	17	Κάλυμμα αναρρόφησης	26	Καπάκι θήκης καρβουνακίου
9	Εξάρτημα κλειδώματος άξονα	18	Εργαλείο		

ΤΕΧΝΙΚΑ ΧΑΡΑΚΤΗΡΙΣΤΙΚΑ

Μοντέλο	DCO140	DCO180
Χωρητικότητα τσοκ κολάρου	3 χιλ, 6 χιλ ή 1/8", 1/4"	3 χιλ, 6 χιλ ή 1/8", 1/4"
Ονομαστική ταχύτητα (n) / Ταχύτητα χωρίς φορτίο (n ₀)	30.000 λεπ ⁻¹	30.000 λεπ ⁻¹
Συνολικό μήκος	313 χιλ	313 χιλ
Καθαρό βάρος	1,6 Χγρ	1,7 Χγρ
Ονομαστική τάση	D.C. 14,4 V	D.C. 18 V

- Λόγω του συνεχόμενου προγράμματος που εφαρμόζουμε για έρευνα και ανάπτυξη, τα τεχνικά χαρακτηριστικά στο παρόν έντυπο υπόκεινται σε αλλαγή χωρίς προειδοποίηση.
- Τα τεχνικά χαρακτηριστικά και η κασέτα μπαταρίας μπορεί να διαφέρουν από χώρα σε χώρα.
- Βάρος, με κασέτα μπαταρίας, σύμφωνα με τη διαδικασία ΕΡΤΑ 01/2003

ENE012-1

Προοριζόμενη χρήση

Το εργαλείο προορίζεται για την κοπή γύψου, ξύλου, πλαστικού και μαλακών πλακιδίων τοίχου.

GEA010-1

Γενικές προειδοποιήσεις ασφαλείας για το ηλεκτρικό εργαλείο

⚠ ΠΡΟΕΙΔΟΠΟΙΗΣΗ Διαβάστε όλες τις προειδοποιήσεις ασφαλείας και όλες τις οδηγίες. Η μη τήρηση των προειδοποιήσεων και οδηγιών ενδέχεται να καταλήξει σε ηλεκτροπληξία, πυρκαγιά ή/και σοβαρό τραυματισμό.

Φυλάξτε όλες τις προειδοποιήσεις και τις οδηγίες για μελλοντική παραπομπή.

GEB123-1

ΠΡΟΕΙΔΟΠΟΙΗΣΕΙΣ ΓΙΑ ΤΗΝ ΑΣΦΑΛΕΙΑ ΤΟΥ ΕΡΓΑΛΕΙΟΥ ΚΟΠΗΣ ΜΠΑΤΑΡΙΑΣ

1. Να κρατάτε το ηλεκτρικό εργαλείο από τις μονωμένες επιφάνειες λαβής όταν εκτελείτε εργασίες κατά τις οποίες το εξάρτημα κοπής μπορεί να έρθει σε επαφή με κρυμμένα καλώδια. Σε περίπτωση επαφής του εξαρτήματος κοπής με ηλεκτροφόρο καλώδιο, μπορεί τα εκτεθειμένα μεταλλικά εξαρτήματα του ηλεκτρικού εργαλείου να καταστούν τα ίδια ηλεκτροφόρα και να προκαλέσουν ηλεκτροπληξία στο χειριστή.

2. Να χρησιμοποιείτε σφιγκτήρες ή κάποιο άλλο πρακτικό μέσο για να ασφαλίσετε και να στηρίξετε το τεμάχιο εργασίας σε μια σταθερή πλατφόρμα. Αν κρατάτε το τεμάχιο εργασίας με το χέρι σας ή επάνω στο σώμα σας, αυτό θα είναι ασταθές και μπορεί να χάσετε τον έλεγχο.
3. Φοράτε προστασία ματιών και προσωπίδα κατά της σκόνης.
4. Αερίζετε επαρκώς την περιοχή εργασίας.
5. Πριν από τη λειτουργία, ελέγξτε προσεκτικά τη μύτη για ραγίσματα ή ζημιά. Αντικαταστήστε αμέσως μια ραγισμένη ή κατεστραμμένη μύτη.
6. Πριν από την κοπή, ελέγξτε ότι υπάρχει επαρκής απόσταση κάτω από το τεμάχιο εργασίας ώστε η μύτη να μη χτυπήσει μια σκληρή επιφάνεια όπως το δάπεδο, τον πάγκο εργασίας, κτλ.
7. Μην κόβετε μεταλλικά αντικείμενα όπως καρφιά και βίδες. Ελέγξτε και αφαιρέστε όλα τα καρφιά, τις βίδες και τα άλλα ξένα αντικείμενα από το τεμάχιο εργασίας πριν από τη λειτουργία.
8. Ελέγξτε ότι η μύτη δεν ακουμπά το τεμάχιο εργασίας πριν ενεργοποιήσετε το διακόπτη λειτουργίας. Κρατάτε πάντα το εργαλείο και με τα δύο χέρια ενώ ενεργοποιείται το εργαλείο. Η ροπή μοτέρ μπορεί να προκαλέσει την περιστροφή του εργαλείου.
9. Πριν από τη χρήση του εργαλείου πάνω σε πραγματικό τεμάχιο εργασίας, αφήστε το σε λειτουργία για λίγο. Προσέξτε για δονήσεις ή κινήσεις που θα μπορούσαν να υποδείξουν τη λανθασμένη τοποθέτηση της μύτης.
10. Βεβαιωθείτε ότι έχετε απελευθερώσει το κλειδώμα άξονα πριν ενεργοποιήσετε το διακόπτη λειτουργίας.
11. Η χρήση πρέπει πάντα να γίνεται με το πέλημα συνδεδεμένο καλά στο εργαλείο και τοποθετημένο επίπεδα και σταθερά επάνω στο τεμάχιο εργασίας.
12. Κρατήστε το εργαλείο σταθερά.

13. Μην εκτελέσετε καμία λειτουργία ενώ στηρίζετε ή καθοδηγείτε το τεμάχιο εργασίας με τα χέρια σας.
14. Μην πλησιάζετε τα χέρια σας σε κινούμενα μέρη.
15. Μην χρησιμοποιείτε αυτό το εργαλείο για τρυπάνισμα.
16. Μην αφιρνετε το εργαλείο σε λειτουργία. Το εργαλείο πρέπει να βρίσκεται σε λειτουργία μόνο όταν το κρατάτε.
17. Πάντα να σβήνεται το εργαλείο και να περιμένετε να σταματήσει να κινείται εντελώς η μύτη πριν βγάλετε τη μύτη από το τεμάχιο εργασίας.
18. Μην αγγίζετε τη μύτη ή το τεμάχιο εργασίας αμέσως μετά τη λειτουργία του εργαλείου. Μπορεί να είναι εξαιρετικά θερμά και να προκαλέσει έγκαυμα στο δέρμα σας.
19. Προσέχετε ώστε να χρησιμοποιείτε κόπτες που διαθέτουν σωστή διάμετρο άξονα και είναι κατάλληλες για την ταχύτητα του εργαλείου.
7. Μην καίτε την κασέτα μπαταρίας ακόμη και εάν έχει σοβαρή ζημιά ή είναι εντελώς φθαρμένη. Η κασέτα μπαταρίας μπορεί να εκραγεί στην φωτιά.
8. Προσέχετε να μη ρίξετε κάτω ή χτυπήσετε την μπαταρία.
9. Μην χρησιμοποιείτε μπαταρία που έχει υποστεί ζημιά.
10. Τηρήστε τους τοπικούς κανονισμούς που σχετίζονται με τη διάθεση της μπαταρίας.

ΦΥΛΑΞΤΕ ΤΙΣ ΟΔΗΓΙΕΣ ΑΥΤΕΣ.

Συμβουλές για διατήρηση μέγιστης ζωής μπαταρίας

1. Φορτίζετε την κασέτα μπαταρίας πριν από την πλήρη αποφόρτιση της. Πάντοτε σταματάτε την λειτουργία του εργαλείου και φορτίζετε την κασέτα μπαταρίας όταν παρατηρείτε μειωμένη ισχύ εργαλείου.
2. Ποτέ μην επαναφορτίζετε μια πλήρως φορτισμένη κασέτα μπαταρίας. Υπερφόρτιση μειώνει την ωφέλιμη ζωή της μπαταρίας.
3. Να φορτίζετε την κασέτα μπαταρίας σε θερμοκρασία δωματίου, δηλαδή στους 10°C – 40°C. Αφήστε μια θερμή κασέτα μπαταρίας να κρυσώσει πριν την φορτίσετε.
4. Φορτίστε την κασέτα μπαταρίας μία φορά κάθε έξι μήνες εάν δεν τη χρησιμοποιείτε για μεγάλη χρονική περίοδο.

ΦΥΛΑΞΤΕ ΤΙΣ ΟΔΗΓΙΕΣ ΑΥΤΕΣ.

⚠️ ΠΡΟΕΙΔΟΠΟΙΗΣΗ:

ΜΗΝ επιτρέψετε στην άνεση ή στην εξοικειωσή σας με το προϊόν (που αποκτήθηκε από επανειλημμένη χρήση) να αντικαταστήσει την αυστηρή τήρηση των κανόνων ασφαλείας του παρόντος εργαλείου. ΚΑΚΗ ΧΡΗΣΗ ή αμέλεια να ακολουθήσετε τους κανόνες ασφαλείας που διατυπώνονται σ'αυτό το εγχειρίδιο οδηγιών μπορεί να προκαλέσει σοβαρό προσωπικό τραυματισμό.

ENC007-8

ΣΗΜΑΝΤΙΚΕΣ ΟΔΗΓΙΕΣ ΓΙΑ ΤΗΝ ΑΣΦΑΛΕΙΑ

ΓΙΑ ΤΗΝ ΚΑΣΕΤΑ ΜΠΑΤΑΡΙΑΣ

1. Πριν χρησιμοποιήσετε την κασέτα μπαταρίας, διαβάστε όλες τις οδηγίες και σημειώσεις προφύλαξης (1) στον φορτιστή μπαταρίας, (2) στην μπαταρία και (3) στο προϊόν που χρησιμοποιεί την μπαταρία.
2. Μην αποσυναρμολογήσετε την κασέτα μπαταρίας.
3. Αν ο χρόνος λειτουργίας έχει γίνει υπερβολικά σύντομος, σταματήστε αμέσως τη λειτουργία. Αλλιώς, μπορεί να έχει ως αποτέλεσμα κίνδυνο υπερθέρμανσης, πιθανά εγκαύματα ή ακόμη και έκρηξη.
4. Αν ηλεκτρολύτης μπει στα μάτια σας, ξεπλύνετε τα με καθαρό νερό και ζητήστε ιατρική φροντίδα αμέσως. Αλλιώς, μπορεί να έχει ως αποτέλεσμα απώλεια της όρασής σας.
5. Μην βραχυκυκλώνετε την κασέτα μπαταρίας:
 - (1) Μην αγγίζετε τους ακροδέκτες με αγώγιμο υλικό.
 - (2) Μην αποθηκεύετε την μπαταρία σε δοχείο με άλλα μεταλλικά αντικείμενα, όπως καρφιά, νομίσματα, κτλ.
 - (3) Μην εκθέτετε την μπαταρία σε νερό ή βροχή. Ένα βραχυκύκλωμα μπαταρίας μπορεί να προκαλέσει μεγάλη ροή ρεύματος, υπερθέρμανση, πιθανά εγκαύματα ακόμη και σοβαρή βλάβη.
6. Μην αποθηκεύετε το εργαλείο και την κασέτα μπαταρίας σε τοποθεσίες όπου η θερμοκρασία μπορεί να φτάσει ή να ξεπεράσει τους 50°C.

ΠΕΡΙΓΡΑΦΗ ΛΕΙΤΟΥΡΓΙΑΣ

⚠️ ΠΡΟΣΟΧΗ:

• Να φροντίζετε πάντα για την απενεργοποίηση του εργαλείου και την αφαίρεση της κασέτας μπαταρίας, πριν από οποιαδήποτε ρύθμιση ή έλεγχο της λειτουργίας του.

Τοποθέτηση ή αφαίρεση της κασέτας μπαταρίας (Εικ. 1)

⚠️ ΠΡΟΣΟΧΗ:

- Πάντοτε να σβήνεται το εργαλείο πριν τοποθετήσετε ή αφαιρέσετε την κασέτα μπαταρίας.
- Κρατήστε το εργαλείο και την κασέτα μπαταρίας σταθερά κατά την τοποθέτηση ή αφαίρεση της κασέτας μπαταρίας. Αν δεν κρατάτε το εργαλείο και την κασέτα μπαταρίας σταθερά μπορεί γλιστρήσουν από τα χέρια σας και να προκαλέσει βλάβη στο εργαλείο και την κασέτα μπαταρίας και προσωπικούς τραυματισμούς.

Για να αφαιρέσετε την κασέτα μπαταρίας, ολισθήστε την από το εργαλείο ενώ σύρετε το κουμπί στο μπροστινό μέρος της κασέτας.

Για να τοποθετήσετε την κασέτα μπαταρίας, ευθυγραμμίστε τη γλώσσα στην κασέτα μπαταρίας με την αύλακα στην υποδοχή και ολισθήστε τη στη θέση της. Τοποθετήστε την μέχρι τέρμα ώσπου να ασφαλίσει στη θέση της, γεγονός που υποδεικνύεται με ένα χαρακτηριστικό ήχο. Αν μπορείτε να δείτε την κόκκινη ένδειξη στην επάνω πλευρά του κουμπιού, δεν έχει κλειδώσει τελείως.

⚠ ΠΡΟΣΟΧΗ:

- Να τοποθετείτε πάντα την κασέτα μπαταρίας πλήρως μέχρι να μην βλέπετε την κόκκινη ένδειξη. Σε αντίθετη περίπτωση, μπορεί να πέσει κατά λάθος από το εργαλείο και να τραυματίσει εσάς ή κάποιον παρευρισκόμενο.
- Μην τοποθετείτε την κασέτα μπαταρίας με βία. Αν η κασέτα δεν σύρετε με ευκολία, δεν τοποθετείται σωστά.

Σύστημα προστασίας μπαταρίας (Εικ. 2)

Το εργαλείο είναι εξοπλισμένο με σύστημα προστασίας της μπαταρίας.

Αυτό το σύστημα αποκόπτει αυτόματα την ισχύ προς το μοτέρ για να παραταθεί η διάρκεια ζωής της μπαταρίας.

Το εργαλείο σταματάει αυτόματα κατά τη διάρκεια της λειτουργίας αν το εργαλείο ή/και η μπαταρία βρεθούν κάτω από τις παρακάτω συνθήκες:

• Υπερφόρτωση:

Το εργαλείο λειτουργεί με τρόπο ώστε να αναγκάζεται να καταναλώνει ασυνήθιστα υψηλό ρεύμα.

Σε αυτή την κατάσταση, σβήστε το εργαλείο και διακόψτε την εφαρμογή που προκαλεί την υπερφόρτωση του εργαλείου. Μετά, ενεργοποιήστε το εργαλείο για επανεκκίνηση.

Αν το εργαλείο δεν ξεκινάει, η μπαταρία έχει υπερθερμανθεί. Σε αυτή την κατάσταση, αφήστε την μπαταρία να κρυώσει πριν ενεργοποιήσετε ξανά το εργαλείο.

• Χαμηλή τάση μπαταρίας:

Η υπόλοιπη χωρητικότητα μπαταρίας είναι πολύ χαμηλή και το εργαλείο δεν λειτουργεί. Σε αυτή την κατάσταση, αφαιρέστε και επαναφορτίστε την μπαταρία.

ΠΑΡΑΤΗΡΗΣΗ:

- Η προστασία υπερθέρμανσης λειτουργεί μόνο με κασέτα μπαταρίας με ένδειξη αστεριού.

Ρύθμιση του βάθους κοπής (Εικ. 3)

Για ρύθμιση του πέλματος, ξεσφίξτε τη βίδα χειρός. Σύρετε το πέλαμα στην επιθυμητή θέση και μετά σφίξτε τη βίδα χειρός με ασφάλεια. Πριν από την κοπή, ελέγξτε ότι υπάρχει η σωστή απόσταση κάτω από το τεμάχιο εργασίας ώστε να μη γίνει κρούση με μια σκληρή επιφάνεια όπως το δάπεδο, τον πάγκο εργασίας, κτλ.

Δράση διακόπτη (Εικ. 4)

⚠ ΠΡΟΣΟΧΗ:

- Πριν τοποθετείτε την κασέτα μπαταρίας στο εργαλείο, πάντα να ελέγχετε ότι ο κυλιόμενος διακόπτης ενεργοποιείται σωστά και επιστρέφει στη θέση OFF όταν πιέζετε το πίσω μέρος του κυλιόμενου διακόπτη.

Για να ξεκινήσετε τη λειτουργία του εργαλείου, ολισθήστε τον κυλιόμενο διακόπτη στη θέση "I (ON)". Για συνεχή λειτουργία, πιέστε το μπροστινό μέρος του κυλιόμενου διακόπτη για να τον ασφαλίσετε.

Για να διακόψετε τη λειτουργία του εργαλείου, πιέστε το πίσω μέρος του κυλιόμενου διακόπτη και κατόπιν ολισθήστε τον στη θέση "O (OFF)".

Λειτουργία αποφυγής τυχαίας επανεκκίνησης

Ακόμα κι αν η κασέτα μπαταρίας έχει τοποθετηθεί στο εργαλείο και ο κυλιόμενος διακόπτης βρίσκεται στη θέση "I (ON)", η λειτουργία του εργαλείου δεν ξεκινά.

Για να ξεκινήσετε τη λειτουργία του εργαλείου, πρώτα ολισθήστε τον κυλιόμενο διακόπτη στη θέση "O (OFF)" και κατόπιν ολισθήστε τον στη θέση "I (ON)".

ΣΥΝΑΡΜΟΛΟΓΗΣΗ

⚠ ΠΡΟΣΟΧΗ:

- Να φροντίζετε πάντα για την απενεργοποίηση του εργαλείου και την αφαίρεση της κασέτας μπαταρίας, πριν από οποιαδήποτε ρύθμιση ή έλεγχο της λειτουργίας του.

Τοποθέτηση ή αφαίρεση μύτης (Εικ. 5)

⚠ ΠΡΟΣΟΧΗ:

- Μην σφίγγετε το παξιμάδι κολάρου χωρίς να έχετε τοποθετήσει μια μύτη, διαφορετικά ο κώνος κολάρου μπορεί να σπάσει.

Πιέστε το εξάρτημα κλειδώματος άξονα για να εμποδίσετε την περιστροφή του άξονα όταν τοποθετείτε ή αφαιρείτε τη μύτη.

Για να τοποθετήσετε τη μύτη, τοποθετήστε τη μέσα στον κώνο κολάρου μέχρι τέρμα και μετά σφίξτε καλά το παξιμάδι κολάρου χρησιμοποιώντας το πέλαμα ως κλειδί. Για να αφαιρέσετε τη μύτη, ακολουθήστε τη διαδικασία τοποθέτησης με αντίστροφη σειρά.

Αλλαγή του κώνου κολάρου (ειδικό της χώρας)

(Εικ. 6)

⚠ ΠΡΟΣΟΧΗ:

- Χρησιμοποιήστε το σωστό μέγεθος του κώνου κολάρου για τη μύτη που σκοπεύετε να χρησιμοποιήσετε.
- Μην σφίγγετε το παξιμάδι κολάρου χωρίς να έχετε τοποθετήσει μια μύτη, διαφορετικά ο κώνος κολάρου μπορεί να σπάσει.

Για να αλλάξετε τον κώνο κολάρου, χαλαρώστε το παξιμάδι κολάρου και αφαιρέστε το. Αφαιρέστε τον τοποθετημένο κώνο κολάρου και αντικαταστήστε με τον επιθυμητό κώνο κολάρου. Τοποθετήστε ξανά το παξιμάδι κολάρου.

ΛΕΙΤΟΥΡΓΙΑ

⚠ ΠΡΟΣΟΧΗ:

- Αποφύγετε την άσκηση καμπτικής ή συστρεφτικής δύναμης στη μύτη. Μπορεί να σπάσει.
- Πριν ενεργοποιήσετε το εργαλείο, βεβαιωθείτε ότι η μύτη και το παξιμάδι κολάρου είναι καλά σφιγμένα.

Κρατήστε καλά το εργαλείο με τη μύτη στραμμένη προς μια ασφαλή κατεύθυνση, χωρίς να ακουμπάει οποιαδήποτε επιφάνεια. Ενεργοποιήστε το εργαλείο και περιμένετε έως ότου το εργαλείο φτάσει στην πλήρη ταχύτητά του. **(Εικ. 7)**

Όταν χρησιμοποιείτε τη μύτη οδήγησης σε γυφτοσανίδα, εισαγάγετε προσεκτικά τη μύτη σε ευθεία μέχρι η βάση του πέλματος να ακουμπήσει πλήρως το υλικό.

Μετακινήστε το εργαλείο αργά με σταθερή πίεση, δεξιόστροφα, για να πραγματοποιήσετε την κοπή. **(Εικ. 8)**

Όταν κόβετε ευθεία γραμμή, στερεώστε καλά μια ίσια σανίδα στο υλικό και χρησιμοποιήστε την ως οδηγό. Μετακινήστε το εργαλείο προς την κατεύθυνση του βέλους, με τη βάση του πέλματος ευθυγραμμισμένη με το πλάι της σανίδας οδήγησης.

Όταν τελειώσετε την κοπή, σβήστε το εργαλείο και περιμένετε να σταματήσει να περιστρέφεται η μύτη. Μετά, αφαιρέστε την προσεκτικά από το υλικό.

ΠΑΡΑΤΗΡΗΣΗ:

- Όταν χρησιμοποιείτε αυτό το εργαλείο, η περιστροφική κίνηση προκαλεί το τράβηγμα του εργαλείου. Όση λιγότερη πίεση εφαρμόζεται στο εργαλείο τόσο λιγότερο τράβηγμα προκαλείται και παρέχεται πιο ακριβή κοπή. Η υπερβολική πίεση ή η γρήγορη κοπή μπορεί να κάνουν τη μύτη λιγότερο αιχμηρή ή να προκαλέσουν το πρόωρο σπάσιμό της.
- Όταν κόβετε γυψοσανίδα γύρω από ηλεκτρολογικά κιβώτια, κόψτε με αριστερόστροφη κατεύθυνση για εύκολη κοπή.
- Η στάνταρ μύτη που περιλαμβάνεται με αυτό το εργαλείο προορίζεται μόνο για την κοπή γυψοσανίδας. Όταν κόβετε υλικά εκτός από γυψοσανίδα, μην χρησιμοποιείτε τη στάνταρ μύτη οδήγησης για γυψοσανίδες.

Χρήση μύτης πολλαπλών χρήσεων (προαιρετικό εξάρτημα) (Εικ. 9 και 10)

Όταν χρησιμοποιείτε τη μύτη πολλαπλών χρήσεων στο υλικό, κρατήστε το εργαλείο σε γωνία περίπου 45 μοιρών με το άκρο της βάσης του πέλματος να ακουμπά το υλικό.

Φέρτε το εργαλείο προσεκτικά σε ευθεία θέση ώστε η βάση του πέλματος να ακουμπά πλήρως το υλικό.

Κυκλικός οδηγός (προαιρετικό εξάρτημα)

Διάμετροι κυκλικής κοπής: 10 cm – 34 cm

Τοποθέτηση κυκλικού οδηγού (Εικ. 11, 12 και 13)

Απελευθερώστε τη βίδα χειρός που ασφαλίζει το πέλμα.

Ευθυγραμμίστε τις προεξοχές στον κυκλικό οδηγό με τις εγκοπές στο πέλμα και ασφαλίστε το πέλμα και τον κυκλικό οδηγό με τη βίδα χειρός.

Για να ρυθμίσετε το βάθος κοπής, χαλαρώστε τη βίδα χειρός και μετά σύρετε το πέλμα με τον κυκλικό οδηγό. Μετά τη σωστή ρύθμιση, σφίξτε καλά τη βίδα χειρός.

Χρήση κυκλικού οδηγού (Εικ. 14 και 15)

Χαλαρώστε το κομβίο και ρυθμίστε τη θέση του ανάλογα με το μέγεθος του κύκλου που θα κοπεί. (Οι διαστάσεις οπής για κοπή υποδεικνύονται στο πλάι του κυκλικού οδηγού ως γενική οδηγία.) Αφού ολοκληρώσετε τη ρύθμιση, σφίξτε καλά το κομβίο.

Τοποθετήστε το άκρο του κομβίου στο κέντρο του κύκλου που θα κοπεί και συνεχίστε να κόβετε σε δεξιόστροφη κατεύθυνση.

Κάλυμμα αναρρόφησης (προαιρετικό εξάρτημα) (Εικ. 16, 17 και 18)

Για πιο καθαρές εργασίες, χρησιμοποιήστε το κάλυμμα αναρρόφησης και συνδέστε το εργαλείο σε ηλεκτρική σκούπα ή συλλέκτη σκόνης της Makita.

Χαλαρώστε τη βίδα χειρός και αφαιρέστε το πέλμα. Συνδέστε το κάλυμμα αναρρόφησης και ασφαλίστε το καλά με τη βίδα χειρός.

Ο κυκλικός οδηγός (προαιρετικό εξάρτημα) μπορεί να τοποθετηθεί στο κάλυμμα αναρρόφησης.

Συνδέστε τον εύκαμπτο σωλήνα της ηλεκτρικής σκούπας/συλλέκτη σκόνης με το κάλυμμα αναρρόφησης. Όταν συνδέετε με ηλεκτρική σκούπα της Makita, χρησιμοποιήστε προαιρετικό εύκαμπτο σωλήνα με εσωτερική διάμετρο 28 χιλ.

Όταν συνδέετε με συλλέκτη σκόνης της Makita, συνδέστε τον εύκαμπτο σωλήνα για το συλλέκτη σκόνης απευθείας στο ακροφύσιο σκόνης.

ΣΥΝΤΗΡΗΣΗ

⚠ ΠΡΟΣΟΧΗ:

- Πάντα να βεβαιώνετε ότι το εργαλείο είναι σβηστό και έχετε βγάλει την η κασέτα μπαταρίας πριν την εκτέλεση εργασιών επιθεώρησης ή συντήρησης εκτός από την εξής περίπτωση αντιμετώπισης προβλήματος που σχετίζεται με το φως.
- Μην χρησιμοποιείτε ποτέ βενζίνη, πετρελαϊκό αιθέρα, διαλυτικό, αλκοόλη ή παρόμοιες ουσίες. Ενδέχεται να προκληθεί αποχρωματισμός παραμόρφωση ή ρωγμές.

Αντικατάσταση καρβονακίων (Εικ. 19, 20 και 21)

Αφαιρείτε και ελέγχετε τα καρβονάκια τακτικά. Αντικαθιστάτε όταν φθαρούν μέχρι το σημάδι ορίου. Διατηρείτε τα καρβονάκια καθαρά και ελεύθερα να γλιστρούν στις θήκες. Και τα δύο καρβονάκια πρέπει να αντικαθίστανται ταυτόχρονα. Χρησιμοποιείτε μόνο καρβονάκια ίδιου τύπου.

Τοποθετήστε την άκρη ενός πλακέ κατασβιδιού μέσα στην εγκοπή του εργαλείου και σηκώστε το κάλυμμα κατακίου στηρίγματος για να το βγάλετε.

Χρησιμοποιήστε ένα κατασβιδιό για να αφαιρέσετε τα καπάκια των θηκών καρβονακίων. Βγάλτε τα φθαμένα καρβονάκια, τοποθετήστε τα νέα και ασφαλίστε τα καπάκια των θηκών καρβονακίων.

Τοποθετήστε ξανά το κάλυμμα κατακίου στηρίγματος στο εργαλείο.

Για την διατήρηση της ΑΣΦΑΛΕΙΑΣ και ΑΞΙΟΠΙΣΤΙΑΣ του προϊόντος, επισκευές, οποιαδήποτε άλλη συντήρηση ή ρύθμιση πρέπει να εκτελούνται από τα εξουσιοδοτημένα κέντρα εξυπηρέτησης της Makita, με χρήση πάντοτε ανταλλακτικών Makita.

ΠΡΟΑΙΡΕΤΙΚΑ ΕΞΑΡΤΗΜΑΤΑ

⚠ ΠΡΟΣΟΧΗ:

- Αυτά τα ανταλλακτικά ή προσαρτήματα συνιστώνται για χρήση με το εργαλείο σας της Makita που περιγράφεται στο εγχειρίδιο αυτό. Η χρήση οτιδήποτε άλλων ανταλλακτικών ή προσαρτημάτων μπορεί να παρουσιάσουν κίνδυνο τραυματισμού σε άτομα. Χρησιμοποιήστε ανταλλακτικά ή προσαρτήματα μόνο για τον καθορισμένο σκοπό.

Εάν χρειάζεστε βοήθεια ή περισσότερες λεπτομέρειες σε σχέση με αυτά τα ανταλλακτικά, ρωτήστε το τοπικό σας κέντρο εξυπηρέτησης της Makita.

- Μύτη οδήγησης για γυψοσανίδα
- Μύτη πολλών χρήσεων
- Κώνος κολάρου
- Κλειδί
- Κυκλικός οδηγός
- Κάλυμμα αναρρόφησης
- Γνήσια μπαταρία και φορτιστής της Makita

ΠΑΡΑΤΗΡΗΣΗ:

- Μερικά στοιχεία στη λίστα μπορεί να συμπεριλαμβάνονται στη συσκευασία εργαλείου ως στάνταρ εξάρτηματα. Μπορεί να διαφέρουν ανάλογα με τη χώρα.

Θόρυβος

Το τυπικό Α επίπεδο μετρημένου θορύβου καθορίζεται σύμφωνα με το EN60745:

Στάθμη πίεσης ήχου (L_{pA}): 77 dB (A)

Αβεβαιότητα (K): 3 dB (A)

Η ένταση ήχου υπό συνθήκες εργασίας μπορεί να υπερβεί τα 80 dB (A).

Φοράτε ωτοασπίδες

ENG900-1

Κραδασμός

Η ολική τιμή δόνησης (άθροισμα τρι-αξονικού διανύσματος) καθορίζεται σύμφωνα με το EN60745:

Είδος εργασίας: περιστροφή χωρίς φορτίο

Εκπομπή δόνησης (a_h): 2,5 m/s² ή λιγότερο

Αβεβαιότητα (K): 1,5 m/s²

ENG901-1

- Η δηλωμένη τιμή εκπομπής κραδασμών έχει μετρηθεί σύμφωνα με την πρότυπη μέθοδο δοκιμής και μπορεί να χρησιμοποιηθεί για τη σύγκριση ενός εργαλείου με άλλο.
- Η δηλωμένη τιμή εκπομπής κραδασμών μπορεί να χρησιμοποιηθεί και στην προκαταρκτική αξιολόγηση έκθεσης.

⚠ ΠΡΟΕΙΔΟΠΟΙΗΣΗ:

- Η εκπομπή κραδασμών κατά τη χρήση του ηλεκτρικού εργαλείου σε πραγματικές συνθήκες μπορεί να διαφέρει από τη δηλωμένη τιμή εκπομπής ανάλογα με τον τρόπο χρήσης του εργαλείου.
- Φροντίστε να λάβετε τα κατάλληλα μέτρα προστασίας του χειριστή βάσει υπολογισμού της έκθεσης σε πραγματικές συνθήκες χρήσης (λαμβάνοντας υπόψη όλες τις συνιστώσες του κύκλου λειτουργίας όπως τους χρόνους που το εργαλείο είναι εκτός λειτουργίας και όταν βρίσκεται σε αδρανή λειτουργία πέραν του χρόνου ενεργοποίησης).

Μόνο για χώρες της Ευρώπης**Δήλωση Συμμόρφωσης ΕΚ**

H Makita δηλώνει ότι τα ακόλουθα μηχανήματα:

Χαρακτηρισμός μηχανήματος:

Εργαλείο κοπής μπαταρίας

Αρ. μοντέλου/ Τύπος: DCO140, DCO180

Συμμορφώνονται με τις ακόλουθες Ευρωπαϊκές Οδηγίες:

2006/42/EK

Κατασκευάζονται σύμφωνα με τα ακόλουθα πρότυπα ή έγγραφα τυποποίησης:

EN60745

Το αρχείο τεχνικών στοιχείων, σύμφωνα με την Οδηγία 2006/42/EK, διατίθεται από:

Makita, Jan-Baptist Vinkstraat 2, 3070, Βέλγιο

27.9.2013



Yasushi Fukaya

Διευθυντής

Makita, Jan-Baptist Vinkstraat 2, 3070, Βέλγιο

Genel görünüşün açıklanması

1 Kırmızı gösterge	10 Sıkıştır	19 Hortum 28
2 Düğme	11 Gevşet	20 Elektrikli süpürge hortumu
3 Batarya kartuşu	12 Tutucu pens kovanı	21 Elektrikli süpürge
4 Yıldız işareti	13 Uç	22 Toz toplayıcı
5 Ayar vidası	14 Çıkıntılar	23 Limit işareti
6 Destek ayağı	15 Dairesel kılavuz	24 Tutucu kapak
7 Sürgülü anahtar	16 Topuz	25 Tornavida
8 Tutucu pens somunu	17 Elektrikli süpürge kapağı	26 Fırça yuvası kapağı
9 Mil kilidi	18 Alet	

ÖZELLİKLER

Model	DCO140	DCO180
Halka mandren kapasitesi	3 mm, 6 mm veya 1/8", 1/4"	3 mm, 6 mm veya 1/8", 1/4"
Normal hız (n) / Yüksüz hız (n ₀)	30.000 dak ⁻¹	30.000 dak ⁻¹
Toplam uzunluk	313 mm	313 mm
Net ağırlık	1,6 kg	1,7 kg
Anma voltajı	D.C. 14,4 V	D.C. 18 V

- Sürekli yapılan araştırma ve geliştirmelerden dolayı, burada belirtilen özellikler önceden bildirilmeksizin değiştirilebilir.
- Özellikler ve batarya kartuşu ülkeden ülkeye değişebilir.
- EPTA-Prosedürü 01/2003 uyarınca, batarya kartuşu dahil, ağırlık

ENE012-1

Kullanım amacı

Bu alet; alçı, tahta, plastik ve yumuşak duvar seramiklerini kesmek için tasarlanmıştır.

GEA010-1

Genel elektrikli alet güvenliği uyarılar

⚠ UYARI! Tüm güvenlik uyarılarını ve tüm talimatları okuyun. Uyarılara ve talimatlara uyulmaması elektrik şoku, yangın ve/veya ciddi yaralanmalar ile sonuçlanabilir.

Tüm uyarıları ve talimatları ileride başvurmak için saklayın.

GEB123-1

AKÜLÜ KESİCİ ALET İÇİN GÜVENLİK UYARILARI

1. Kesici aksesuarın görünmeyen kablolarla temas etme olasılığı bulunan yerlerde çalışırken elektrikli aleti yalıtımlı kavrama yüzeylerinden tutun. Kesici aksesuarın "akımlı" bir telle temas etmesi elektrikli aletin yalıtımsız metal kısımlarını "akımlı" hale getirebilir ve kullanıcıyı elektrik şokuna maruz bırakabilir.
2. İş parçasını düz bir platform üzerine sabitlemek için klemp kullanın ya da başka bir pratik yol bulun. İş parçasını elle tutmak ya da vücudunuzla desteklemek sabit durmamasına ve kontrolü kaybetmenize neden olabilir.
3. Koryucu gözlük ve toz maskesi takın.
4. Çalışma alanınızı yeteri kadar havalandırın.

5. İşleme başlamadan önce, çatlak veya hasara karşı kesici ucu dikkatlice kontrol edin. Çatlama veya hasar görmüş ucu derhal değiştirin.
6. Kesmeden önce, aletin kesici ucunun zemin ya da tezgah gibi sert bir yüzeye çarpmaması için iş parçasının altında uygun açıklık olduğundan emin olun.
7. Çivi ve vida gibi metal nesnelere kesmeyin. İşlemden önce iş parçasının üzerinde çivi, vida ya da başka yabancı maddeler olup olmadığını kontrol edin ve varsa hepsini çıkarın.
8. Anahtar açılmadan önce kesici ucun iş parçasına temas etmediğinden emin olun. Aleti açık konuma getirirken daima iki elinizle tutun. Motor torku aletin dönmesine neden olabilir.
9. Aleti gerçek iş parçası üzerinde kullanmadan önce bir süre çalıştırın. Kesici ucun yanlış takıldığını gösterebilecek titreşim ve sallantılar olup olmadığına dikkat edin.
10. Anahtar açılmadan önce mil kilidinin serbest bırakıldığından emin olun.
11. Aleti daima, destek ayağı alete sağlam bir şekilde takılmış, iş parçasına düz ve sabit bir şekilde dayayarak kullanın.
12. Aleti sıkıca tutun.
13. İş parçasını desteklemek ya da yönlendirmek için ellerinizle hiçbir işlem gerçekleştirirmeyin.
14. Ellerinizi hareketli parçalardan uzak tutun.
15. Bu aleti delme işlemi için kullanmayın.
16. Aleti çalışır durumda bırakmayın. Aleti sadece elinizde iken çalıştırın.
17. Aletin kesici ucunu iş parçasından çıkarmadan önce daima anahtarı kapatın ve kesici ucun tamamen durmasını bekleyin.
18. Kullanılan ucu veya iş parçasını işlemden hemen sonra ellemeyin; bunlar çok sıcak olup derinizi yakabilir.
19. Aletin hıza uygun olan doğru mil çapında kesiciler kullanmaya özen gösterin.

BU TALİMATLARI SAKLAYIN.

⚠ UYARI:

Ürünü kullanırken (defalarca kullanınca kazanılan) rahatlık ve tanıdıklık duygusunun ilgili ürünün güvenlik kurallarına sıkı sıkıya bağlı kalmanın yerine geçmesine İZİN VERMEYİN. YANLIŞ KULLANIM veya bu kullanma kılavuzunda belirtilen emniyet kurallarına uymama ciddi yaralanmaya neden olabilir.

ENC007-8

ÖNEMLİ GÜVENLİK TALİMATLARI

BATARYA KARTUŞU İÇİN

1. Batarya kartuşunu kullanmadan önce, tüm talimatları ve (1) batarya şarj aleti, (2) batarya ve (3) bataryası kullanan alet üstündeki tüm uyarıları okuyun.
 2. Batarya kartuşunu sökmeyin.
 3. Çalışma süresi aşırı derecede kısılmışsa kullanmayı derhal bırakın. Aşırı ısınma, yanma riski hatta patlamaya neden olabilir.
 4. Gözünüze elektrolit kaçarsa, gözlerinizi temiz suyla durulayın ve hemen tıbbi yardım alın. Görme kaybına yol açabilir.
 5. Batarya kartuşunu kısa devre yaptırmayın:
 - (1) Terminallere herhangi bir iletken madde ile dokunmayın.
 - (2) Batarya kartuşunu çivi, bozuk para gibi başka metal nesnelerin olduğu bir kutuda saklamayın.
 - (3) Batarya kartuşunun suyla ya da yağmurla temas etmesine izin vermeyin.
- Bataryada bir kısa devre büyük bir elektrik akımına, aşırı ısınmaya, olası yanıklara ve hatta bir bozulmaya neden olabilir.
6. Aleti ve batarya kartuşunu sıcaklığın 50°C ya da daha yükseğe ulaştığı yerlerde muhafaza etmeyin.
 7. Batarya kartuşunu ciddi hasar görmüş ya da tamamen kullanılmaz hale gelmiş olsa bile ateşe atmayın. Batarya kartuşu ateşin içinde patlayabilir.
 8. Bataryası düşürmemeye ya da darbe almamasına dikkat edin.
 9. Zarar gören bataryası kullanmayın.
 10. Bataryanın elden çıkarılması ile ilgili yerel düzenlemelere uyunuz.

BU TALİMATLARI SAKLAYIN.

Maksimum batarya ömrünü koruma için tavsiyeler

1. Batarya kartuşunu tamamen boşaldan şarj edin.
Aletin gücünün zayıfladığını fark ettiğiniz zaman daima kullanmayı durdurarak batarya kartuşunu şarj edin.
2. Tam şarjlı bir batarya kartuşunu asla tekrar şarj etmeyin.
Fazla şarj etme bataryanın kullanım ömrünü kısaltır.
3. Batarya kartuşunu 10°C – 40°C oda sıcaklığında şarj edin. Sıcak bir batarya kartuşunu şarj etmeden önce soğumasını bekleyin.
4. Uzun bir süre kullanmadığınız durumlarda batarya kartuşunu altı ayda bir şarj edin.

İŞLEVSEL AÇIKLAMALAR

⚠ DİKKAT:

- Alet üzerinde ayarlama ya da işleyiş kontrolü yapmadan önce aletin kapalı ve batarya kartuşunun çıkartılmış olduğundan daima emin olun.

Batarya kartuşunun takılması veya çıkarılması (Şek. 1)

⚠ DİKKAT:

- Batarya kartuşunu takmadan ya da çıkarmadan önce aleti daima kapatın.
- Batarya dönüştürücüyü takarken veya çıkarırken aleti ve batarya dönüştürücüyü sıkıca tutun. Aletin ve batarya dönüştürücünün sıkıca tutulmaması bunların düşürülmesine ve zarar görmesine ya da ciddi yaralanmalara sebep olabilir.

Batarya kartuşunu çıkarmak için, kartuşun ön tarafındaki düğmeyi kaydırarak kartuşu aletten çıkarın. Batarya kartuşunu takmak için, batarya kartuşu üzerindeki dili yuvanın çentiği ile hizalayın ve yerine oturtun. Küçük bir çıt sesine yerine sabitlenene kadar ittirerek takın. Düğmenin üst tarafındaki kırmızı gösterge görünüyorsa tam yerine kilitlenmemiş demektir.

⚠ DİKKAT:

- Batarya kartuşunu daima kırmızı gösterge görünmeyecek şekilde tam olarak takın. Yerine tam oturmazsa, aletten yanlışlıkla düşebilir, sizin ya da çevrenizdeki kişilerin yaralanmasına neden olabilir.
- Batarya kartuşunu zorlayarak takmayın. Kartuş kolayca kaymıyorsa, doğru yerleştirilmemiş demektir.

Batarya koruma sistemi (Şek. 2)

Bu alet bir batarya koruma sistemi ile donatılmıştır. Bu sistem motora giden gücü otomatik olarak keserek uzun batarya ömrü sağlar.

Alet ve/veya batarya için aşağıdaki durumlardan biri söz konusu olduğunda aletin işleyiş otomatik olarak durur.

- Aşırı yüklenme:
 - Alet, anormal derecede yüksek akım çekmesine neden olacak şekilde kullanılmaktadır.
 - Bu durumda, aleti kapatın ve aletin aşırı yüklenmesine neden olan uygulamayı durdurun. Daha sonra aleti yeniden başlaması için çalıştırın.
 - Alet çalışmaya başlamazsa, batarya aşırı ısınmış demektir. Bu durumda, aleti yeniden çalıştırmadan önce bataryanın soğumasını bekleyin.
- Düşük batarya voltajı:
 - Kalan batarya kapasitesi çok düşüktür ve alet çalışmaz. Bu durum söz konusuysa, bataryayı çıkarıp şarj edin.

NOT:

- Aşırı ısınma koruması, sadece yıldız işaretli bir batarya kartuşuyla çalışır.

Kesimin derinliğini ayarlamak (Şek. 3)

Destek ayağını ayarlamak için, ayar vidasını gevşetin. Destek ayağını istenilen konuma kaydırın ve daha sonra ayar vidasını sağlam bir şekilde sıkıştırın. Kesmeden önce, zemin ya da tezgah gibi sert bir yüzeye çarpması için iş parçasının altında uygun açıklık olduğundan emin olun.

Anahtar işlemi (Şek. 4)

⚠ DİKKAT:

- Batarya kartuşunu alete takmadan önce, sürgülü anahtarın doğru çalıştığından ve anahtarın arka tarafı açıldığında "KAPALI" konumuna geldiğinden emin olun.

Aleti başlatmak için, sürgülü anahtar "I (AÇIK)" konuma getirin. Sürekli kullanım için, sürgülü anahtarın ön kısmına basarak anahtar kilitleyin.

Aleti durdurmak için, sürgülü anahtarın arkasına basın ve "O (KAPALI)" konuma getirin.

İstemsiz yeniden başlatma önleyici işlev

Sürgülü anahtar "I (AÇIK)" konumdayken batarya kartuşu alete takılı olsa bile, alet çalışmaz.

Aleti çalıştırmak için, önce sürgülü anahtar "O (KAPALI)" konumuna kaydırın, daha sonra "I (AÇIK)" konumuna kaydırın.

MONTAJ

⚠ DİKKAT:

- Alet üzerinde ayarlama ya da işleyiş kontrolü yapmadan önce aletin kapalı ve batarya kartuşunun çıkartılmış olduğundan daima emin olun.

Ucun takılması veya çıkarılması (Şek. 5)

⚠ DİKKAT:

- Kesici ucu takmadan tutucu pens somununu sıkıştırmayın, aksi takdirde tutucu pens kovanı kırılabilir.

Kesici ucu takarken veya çıkarırken milin dönmelerini önlemek için mil kilidine basın.

Kesici ucu takmak için, tutucu pens kovanına yerleştirip sonuna kadar itirin ve daha sonra destek ayağını İngiliz anahtar gibi kullanıp tutucu pens somununu sağlam bir şekilde sıkıştırın.

Kesici ucu çıkarmak için, kurulum prosedürünü tersten izleyin.

Tutucu pens kovanını değiştirmek (ülkeye özel) (Şek. 6)

⚠ DİKKAT:

- Kullanmayı düşündüğünüz kesici uca uygun büyüklükteki tutucu pens kovanını kullanın.
- Kesici ucu takmadan tutucu pens somununu sıkıştırmayın, aksi takdirde tutucu pens kovanı kırılabilir.

Tutucu pens kovanını değiştirmek için, tutucu pens somununu gevşetin ve çıkarın. Takılı olan tutucu pens kovanını çıkarın ve istenilen tutucu pens kovanı ile değiştirin. Tutucu pens somununu yeniden takın.

KULLANIM

⚠ DİKKAT:

- Kesici ucu eğmek veya bükmek için zorlamaktan kaçınin. Kopabilir.
- Aleti çalıştırmadan önce, kesici uç ve tutucu pens somununun sağlam bir şekilde sıkıştırıldığından emin olun.

Aleti, kesici uç herhangi bir yüzeyle temas etmeyecek şekilde güvenli bir yöne doğrultarak, sağlam bir şekilde tutun. Aleti çalıştırın ve alet son hıza ulaşana kadar bekleyin. (Şek. 7)

Alçı panel üzerinde alçı panel kesici kılavuz ucunu kullanırken, destek ayağı tabanı malzemeye tamamen temas edene kadar dikkatlice kesici ucu düz bir şekilde alçı panele sokun.

Kesimi yapmak için, aleti saat yönünde sürekli bir basınçla yavaşça hareket ettirin. (Şek. 8)

Düz bir çizgi keserken, düz bir tahtayı malzeme üzerine sıkıca sabitleyin ve kılavuz olarak kullanın. Aleti, destek ayağı tabanı kılavuz tahtanın yaniyla aynı hizada olacak şekilde ok yönünde hareket ettirin.

Kesim tamamlandığında, aleti kapatın ve dönen kesici ucun durmasını bekleyin, daha sonra dikkatlice malzemeden çıkarın.

NOT:

- Bu aleti kullanırken, dönme hareketi aletin geri çekilmesine neden olur. Alete ne kadar az basınç uygulanırsa, alet o kadar az geri çekilecek ve daha doğru bir kesim sağlanacaktır. Aşırı basınç veya hızlı kesmek, kesici ucun körelmesine ya da zamanından önce kırılmasına neden olabilir.
- Priz kutularının çevresindeki alçı panelleri keserken, kesimin kolay olması için saat yönünün tersinde kesin.
- Bu aletle birlikte bulunan standart kesici uç sadece alçı panel kesimi içindir. Alçı panel dışında malzemeleri keserken, standart alçı panel kılavuz ucunu kullanmayın.

Çok amaçlı kesici ucu kullanmak (isteğe bağlı aksesuar) (Şek. 9 ve 10)

Çok amaçlı kesici ucu malzeme üzerine kullanırken, destek ayağı tabanının kenarı malzemeye temas edecek şekilde, aleti yaklaşık 45 derecelik bir açıyla tutun.

Aleti dikkatli bir şekilde düz konuma getirerek destek ayağı tabanının malzemeye tamamen temas etmesini sağlayın.

Dairesel kılavuz (isteğe bağlı aksesuar)

Dairesel kesme çapları: 10 cm – 34 cm

Dairesel kılavuzu takma (Şek. 11, 12 ve 13)

Destek ayağını koruyan ayar vidasını serbest bırakın.

Dairesel kılavuzdaki çıkıntıları, destek ayağındaki girintilerle aynı hizaya getirin, destek ayağını ve dairesele kılavuzu ayar vidasıyla sağlamlaştırın.

Kesme derinliğini ayarlamak için, ayar vidasını gevşetin ve daha sonra dairesele kılavuzla destek ayağını kaydırın. Uygun ayarlamaların ardından, ayar vidasını sağlam bir şekilde sıkıştırın.

Dairesel kılavuzun kullanımı (Şek. 14 ve 15)

Topuzu gevşetin ve kesilecek dairenin boyutuna uygun olarak topuzun konumunu ayarlayın. (Kesilecek delik boyutları dairesele kılavuzun yan tarafında ana hatlarıyla gösterilmiştir.) Ayarlama tamamlandıktan sonra, topuzu sağlam bir şekilde sıkıştırın.

Topuzun ucunu, kesilecek dairenin merkezine takın ve saat yönünde keserek devam edin.

Elektrikli süpürge kapağı (isteğe bağlı aksesuar) (Şek. 16, 17 ve 18)

Daha temiz çalışmak için, elektrikli süpürge kapağını kullanın ve aleti Makita elektrikli süpürge veya toz toplayıcıya bağlayın.

Ayar vidasını gevşetin ve destek ayağını çıkarın. Elektrikli süpürge kapağını takın ve ayar vidasıyla sağlam bir şekilde tuturun.

Dairesel kılavuz (isteğe bağlı aksesuar) elektrikli süpürge kapağının üzerine takılabilir.

Elektrikli süpürge'nin ya da toz toplayıcının hortumunu elektrikli süpürge kapağına bağlayın. Makita elektrikli süpürgeye bağlanırken, iç çapı 28 mm olan isteğe bağlı bir hortum kullanın.

Makita toz toplayıcıya bağlanırken, toz toplayıcı hortumunu doğrudan toz toplama başlığına bağlayın.

BAKIM

⚠ DİKKAT:

- İşlemlerle ilgili olarak aşağıda belirtilen arıza giderme durumları haricinde, kontrol ya da bakım yapmaya kalkışmadan önce aletin kapalı ve batarya kartuşunun çıkartılmış olduğundan daima emin olun.
- Benzin, tiner, alkol ve benzeri maddeleri kesinlikle kullanmayın. Renk değişimi, deformasyon veya çatlaklar oluşabilir.

Karbon fırçaların değiştirilmesi (Şek. 19, 20 ve 21)

Karbon fırçaları düzenli olarak çıkarıp kontrol edin. Sınır işaretine kadar yıprandıkları zaman değiştirin. Karbon fırçalarının temiz ve yuvaları içinde serbestçe kayar durumda kalmalarını sağlayın. Her iki karbon fırça aynı zamanda değiştirilmelidir. Sadece birbirinin aynısı olan karbon fırçaları kullanın.

Düz bir tornavidanın üst tarafını aletin üzerindeki çentiğe yerleştirin ve tutucu kapağı kaldırarak çıkarın.

Fırça yuvası kapaklarını çıkarmak için bir tornavida kullanın. Aşınmış karbon fırçalarını dışarı çıkarın, yerlerine yenilerini geçirin ve fırça yuvası kapaklarını açılmayacak şekilde takın.

Tutucu kapağı tekrar alete takın.

Aleti EMNİYETLİ ve ÇALIŞMAYA HAZIR durumda tutmak için onarımlar, başka her türlü bakım ve ayarlamalar daima Makita yedek parçaları kullanılarak Makita yetkili servis merkezleri tarafından yapılmalıdır.

İSTEĞE BAĞLI AKSESUARLAR

⚠ DİKKAT:

- Bu aksesuarlar ve ek parçalar bu el kitabında belirtilen Makita aletiniz ile kullanılmak için tavsiye edilmektedir. Herhangi başka bir aksesuar ya da ek parça kullanılması insanlar için bir yaralanma riski getirebilir. Aksesuarları ya da ek parçaları yalnızca belirtilmiş olan kullanım amaçlarına uygun olarak kullanın.

Bu aksesuarlarla ilgili daha fazla bilgiye ihtiyaç duyarsanız bulunduğunuz yerdeki Makita servis merkezi başvurun.

- Alçı panel kılavuz kesici ucu
- Çok amaçlı kesici uç
- Tutucu pens kovani
- İngiliz anahtarı
- Dairesel kılavuz
- Elektrikli süpürge kapağı
- Orijinal Makita batarya ve şarj aleti

NOT:

- Listedeki bazı parçalar standart aksesuar olarak ürün paketinin içine dahil edilmiş olabilir. Aksesuarlar ülkeden ülkeye farklılık gösterebilir.

Gürültü

EN60745 uyarınca hesaplanan tipik A-ağırlıklı gürültü düzeyi:

Ses basınç seviyesi (L_{pA}): 77 dB (A)

Belirsizlik (K): 3 dB (A)

İşlem sırasında gürültü seviyesi 80 dB (A)'yi geçebilir.

Kulak koruyucusu takın

ENG900-1

Titreşim

EN60745 standardına göre hesaplanan titreşim toplam değeri (üç eksenli vektör toplamı):

Çalışma modu: yüksüz dönüş

Titreşim emisyonu (a_h): 2,5 m/s²'den az

Belirsizlik (K): 1,5 m/s²

ENG901-1

- Beyan edilen titreşim emisyon değeri standart test yöntemine uygun şekilde ölçülmüştür ve bir aleti bir başkasıyla karşılaştırmak için kullanılabilir.
- Beyan edilen titreşim emisyon değeri bir ön maruz kalma değerlendirmesi olarak da kullanılabilir.

⚠ UYARI:

- Bu elektrikli aletin gerçek kullanımı sırasındaki titreşim emisyonu aletin kullanım biçimlerine bağlı olarak beyan edilen emisyon değerinden farklı olabilir.
- Gerçek kullanım koşullarındaki maruz kalmanın bir tahmini hesaplaması temelinde operatörü koruyacak güvenlik önlemlerini mutlaka belirleyin (çalışma döngüsü içerisinde aletin kapalı olduğu ve aktif durumda olmasının yanı sıra boşta çalıştığı zamanlar gibi, bütün zaman dilimleri göz önünde bulundurularak değerlendirilmelidir).

ENH101-17

Sadece Avrupa ülkeleri için

EC Uygunluk Beyanı

Biz Makita Corporation beyan ederiz ki aşağıdaki makine(ler):

Makine Adı:

Akülü Kesici Alet

Model No./ Tipi: DCO140, DCO180

Aşağıdaki Avrupa Direktiflerine uygundur:

2006/42/EC

Aşağıdaki standartlara veya standartlaştırılmış belgelere uygun olarak imal edilmişlerdir:

EN60745

2006/42/EC uyumluluğuna ilişkin teknik dosyaya şuradan ulaşılabilir:

Makita, Jan-Baptist Vinkstraat 2, 3070, Belçika

27.9.2013



Yasushi Fukaya

Müdür

Makita, Jan-Baptist Vinkstraat 2, 3070, Belçika

Makita Jan-Baptist Vinkstraat 2, 3070, Belgium
Makita Corporation Anjo, Aichi, Japan

885347-998

www.makita.com

IDE