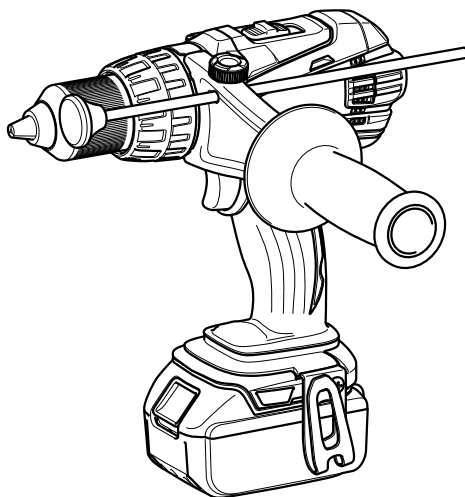




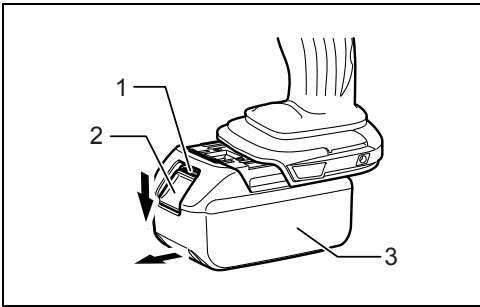
GB	Cordless Hammer Driver Drill	Instruction manual
F	Perceuse Percussion-Visseuse sans Fil	Manuel d'instructions
D	Akku-Schlagbohrschrauber	Betriebsanleitung
I	Trapano avvitatore a batterie con percussione	Istruzioni per l'uso
NL	Accuschroef-boorhamermachine	Gebruiksaanwijzing
E	Rotomartillo Atornillador Inalámbrico	Manual de instrucciones
P	Furadeira de Impacto / Parafusadeira a Bateria	Manual de instruções
DK	Ledningsfri slagboremaskine	Brugsanvisning
GR	Κρουστικό δραπανοκατσάβιδο μπαταρίας	Οδηγίες χρήσης
TR	Akülü Darbeli Matkap Tornavida	Kullanım kılavuzu

DHP448
DHP458



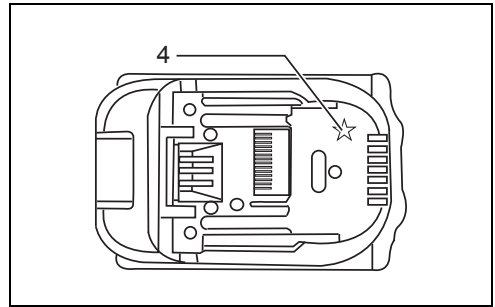
012710





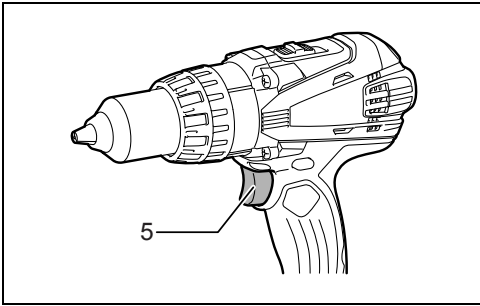
1

012695



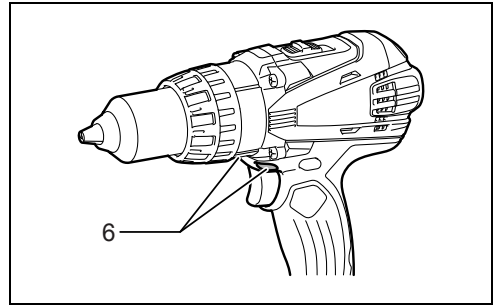
2

012128



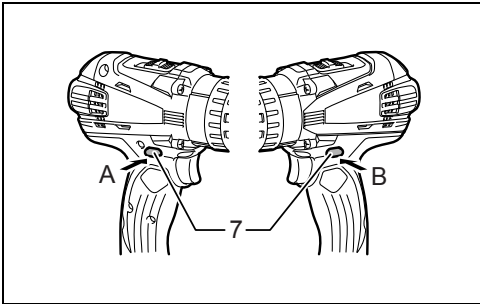
3

012699



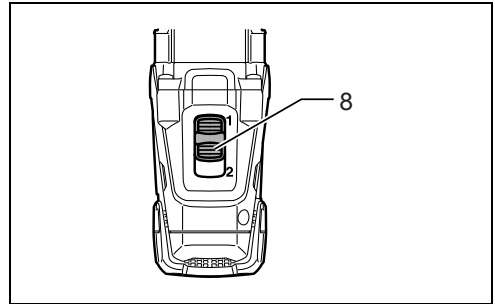
4

012700



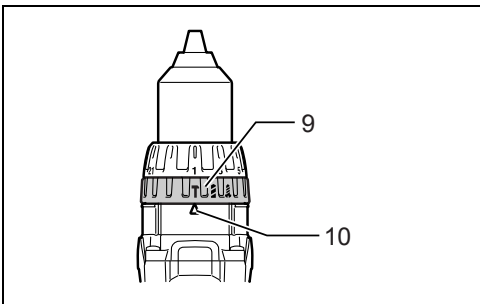
5

012701



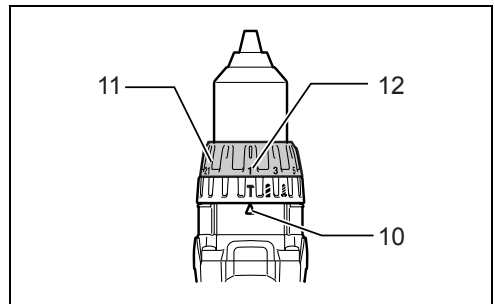
6

012702



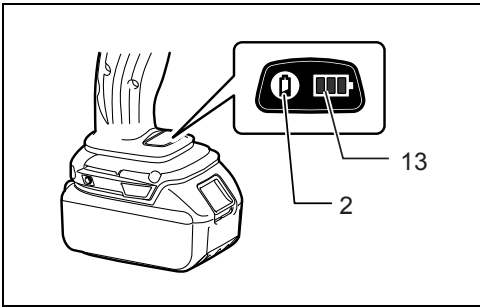
7

012736



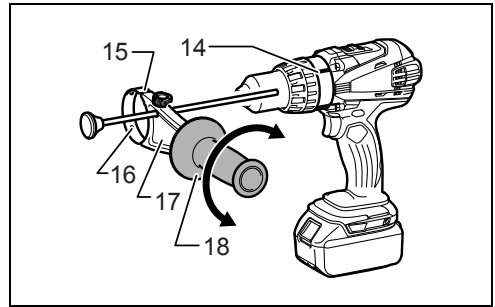
8

012735



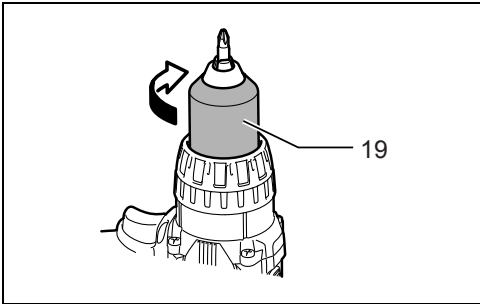
9

012714



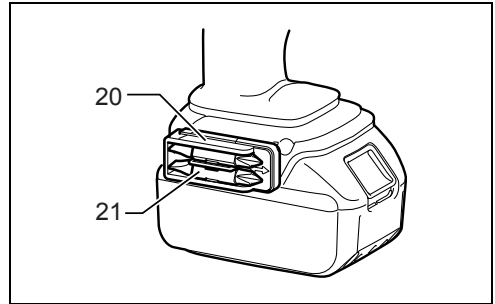
10

012711



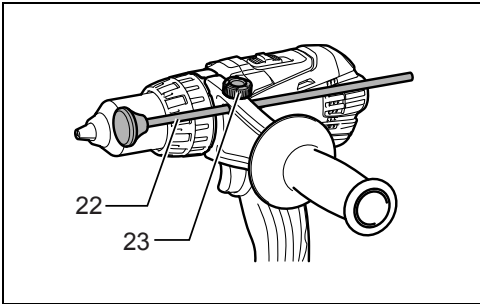
11

012697



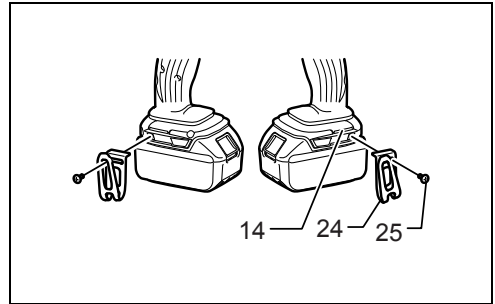
12

012708



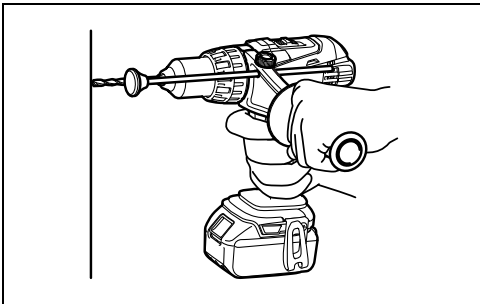
13

012712



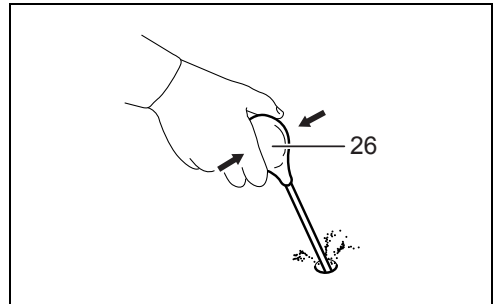
14

012698



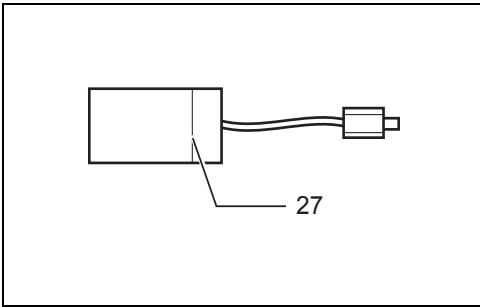
15

012737



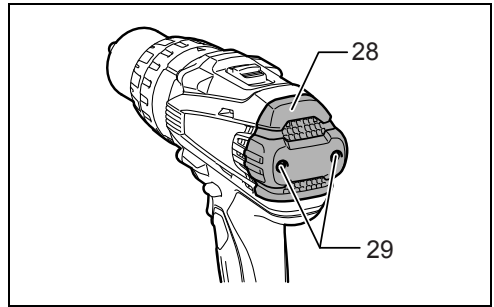
16

002449



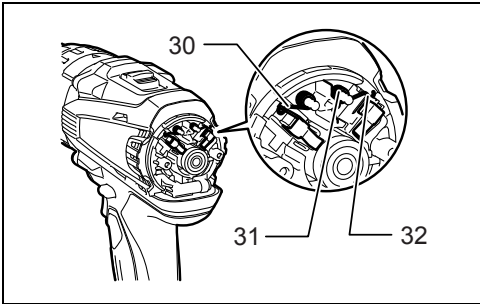
17

006258



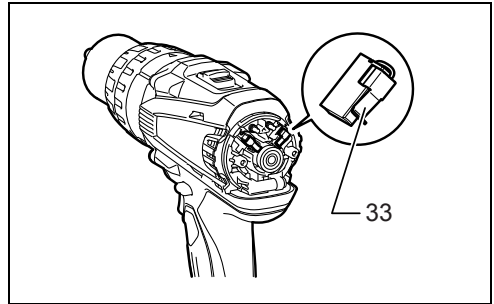
18

012705



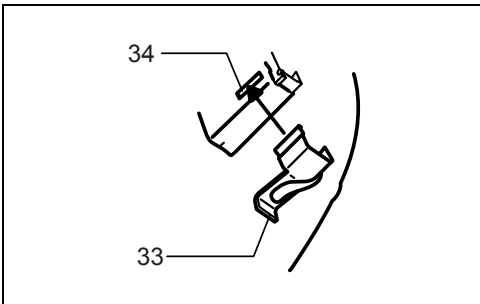
19

012706



20

012707



21

006304

ENGLISH (Original instructions)

Explanation of general view

- | | | |
|------------------------------|-------------------|----------------------|
| 1. Red indicator | 13. LED indicator | 25. Screw |
| 2. Button | 14. Groove | 26. Blow-out bulb |
| 3. Battery cartridge | 15. Protrusion | 27. Limit mark |
| 4. Star marking | 16. Steel band | 28. Rear cover |
| 5. Switch trigger | 17. Grip base | 29. Screws |
| 6. Lamp | 18. Side grip | 30. Arm |
| 7. Reversing switch lever | 19. Sleeve | 31. Spring |
| 8. Speed change lever | 20. Bit holder | 32. Recessed part |
| 9. Action mode changing ring | 21. Bit | 33. Carbon brush cap |
| 10. Arrow | 22. Depth rod | 34. Hole |
| 11. Adjusting ring | 23. Clamp screw | |
| 12. Graduation | 24. Hook | |

SPECIFICATIONS

	Model	DHP448	DHP458
Capacities	Drilling into concrete	14 mm	16 mm
	Drilling into steel	13 mm	13 mm
	Drilling into wood	65 mm	76 mm
	Fastening wood screw	8 mm x 75 mm	10 mm x 90 mm
	Fastening machine screw	6 mm	
No load speed	High (2)	0 - 1,800 min ⁻¹	0 - 2,000 min ⁻¹
	Low (1)	0 - 350 min ⁻¹	0 - 400 min ⁻¹
Blows per minute	High (2)	0 - 27,000 min ⁻¹	0 - 30,000 min ⁻¹
	Low (1)	0 - 5,200 min ⁻¹	0 - 6,000 min ⁻¹
Overall length		225 mm	
Net weight		2.2 kg	2.3 kg
Rated voltage		D.C. 14.4 V	D.C. 18 V

- Due to our continuing program of research and development, the specifications herein are subject to change without notice.
- Specifications and battery cartridge may differ from country to country.
- Weight, with battery cartridge, according to EPTA-Procedure 01/2003


Intended use

ENE079-1

The tool is intended for impact drilling in brick, concrete and stone. It is also suitable for screw driving and drilling without impact in wood, metal, ceramic and plastic.

General Power Tool Safety Warnings

GEA010-1

 **WARNING** Read all safety warnings and all instructions. Failure to follow the warnings and instructions may result in electric shock, fire and/or serious injury.

Save all warnings and instructions for future reference.

CORDLESS HAMMER DRIVER DRILL SAFETY WARNINGS

GEB056-4

1. **Wear ear protectors with impact drilling.** Exposure to noise can cause hearing loss.
2. **Use auxiliary handle(s), if supplied with the tool.** Loss of control can cause personal injury.
3. **Hold power tool by insulated gripping surfaces, when performing an operation where the cutting accessory may contact hidden wiring.** Cutting accessory contacting a "live" wire may make exposed metal parts of the power tool "live" and could give the operator an electric shock.
4. **Hold power tool by insulated gripping surfaces, when performing an operation where the fastener may contact hidden wiring.** Fasteners contacting a "live" wire may make exposed metal parts of the power tool "live" and could give the operator an electric shock.
5. **Always be sure you have a firm footing. Be sure no one is below when using the tool in high locations.**
6. **Hold the tool firmly.**
7. **Keep hands away from rotating parts.**
8. **Do not leave the tool running. Operate the tool only when hand-held.**
9. **Do not touch the bit or the workpiece immediately after operation; they may be extremely hot and could burn your skin.**

10. Some material contains chemicals which may be toxic. Take caution to prevent dust inhalation and skin contact. Follow material supplier safety data.

SAVE THESE INSTRUCTIONS.

⚠ WARNING:

DO NOT feel comfort or familiarity with product (gained from repeated use) replace strict adherence to safety rules for the subject product. MISUSE or failure to follow the safety rules stated in this instruction manual may cause serious personal injury.

IMPORTANT SAFETY INSTRUCTIONS

ENC007-7

FOR BATTERY CARTRIDGE

1. Before using battery cartridge, read all instructions and cautionary markings on (1) battery charger, (2) battery, and (3) product using battery.
2. Do not disassemble battery cartridge.
3. If operating time has become excessively shorter, stop operating immediately. It may result in a risk of overheating, possible burns and even an explosion.
4. If electrolyte gets into your eyes, rinse them out with clear water and seek medical attention right away. It may result in loss of your eyesight.
5. Do not short the battery cartridge:
 - (1) Do not touch the terminals with any conductive material.
 - (2) Avoid storing battery cartridge in a container with other metal objects such as nails, coins, etc.
 - (3) Do not expose battery cartridge to water or rain.

A battery short can cause a large current flow, overheating, possible burns and even a breakdown.

6. Do not store the tool and battery cartridge in locations where the temperature may reach or exceed 50°C (122°F).
7. Do not incinerate the battery cartridge even if it is severely damaged or is completely worn out. The battery cartridge can explode in a fire.
8. Be careful not to drop or strike battery.
9. Do not use a damaged battery.

SAVE THESE INSTRUCTIONS.

Tips for maintaining maximum battery life

1. Charge the battery cartridge before completely discharged.
Always stop tool operation and charge the battery cartridge when you notice less tool power.
2. Never recharge a fully charged battery cartridge. Overcharging shortens the battery service life.
3. Charge the battery cartridge with room temperature at 10°C - 40°C (50°F - 104°F). Let a hot battery cartridge cool down before charging it.

4. Charge the battery cartridge once in every six months if you do not use it for a long period of time.

FUNCTIONAL DESCRIPTION

⚠ CAUTION:

- Always be sure that the tool is switched off and the battery cartridge is removed before adjusting or checking function on the tool.

Installing or removing battery cartridge (Fig. 1)

⚠ CAUTION:

- Always switch off the tool before installing or removing of the battery cartridge.

To remove the battery cartridge, slide it from the tool while sliding the button on the front of the cartridge.

To install the battery cartridge, align the tongue on the battery cartridge with the groove in the housing and slip it into place. Insert it all the way until it locks in place with a little click. If you can see the red indicator on the upper side of the button, it is not locked completely.

⚠ CAUTION:

- Always install the battery cartridge fully until the red indicator cannot be seen. If not, it may accidentally fall out of the tool, causing injury to you or someone around you.
- Do not use force when installing the battery cartridge. If the cartridge does not slide in easily, it is not being inserted correctly.

Battery protection system (Lithium-ion battery with star marking) (Fig. 2)

Lithium-ion batteries with a star marking are equipped with a protection system. This system automatically cuts off power to the tool to extend battery life.

The tool will automatically stop during operation if the tool and/or battery are placed under one of the following conditions:

- Overloaded:
The tool is operated in a manner that causes it to draw an abnormally high current.
In this situation, release the switch trigger on the tool and stop the application that caused the tool to become overloaded. Then pull the switch trigger again to restart.
If the tool does not start, the battery is overheated. In this situation, let the battery cool before pulling the switch trigger again.
- Low battery voltage:
The remaining battery capacity is too low and the tool will not operate. In this situation, remove and recharge the battery.

Switch action (Fig. 3)

⚠ CAUTION:

- Before inserting the battery cartridge into the tool, always check to see that the switch trigger actuates properly and returns to the "OFF" position when released.

To start the tool, simply pull the switch trigger. Tool speed is increased by increasing pressure on the switch trigger. Release the switch trigger to stop.

Lighting up the front lamp (Fig. 4)

⚠ CAUTION:

- Do not look in the light or see the source of light directly.

Pull the switch trigger to light up the lamp. The lamp keeps on lighting while the switch trigger is being pulled. The lamp goes out 10 -15 seconds after releasing the trigger.

NOTE:

- Use a dry cloth to wipe the dirt off the lens of lamp. Be careful not to scratch the lens of lamp, or it may lower the illumination.

Reversing switch action (Fig. 5)

This tool has a reversing switch to change the direction of rotation. Depress the reversing switch lever from the A side for clockwise rotation or from the B side for counterclockwise rotation.

When the reversing switch lever is in the neutral position, the switch trigger cannot be pulled.

⚠ CAUTION:

- Always check the direction of rotation before operation.
- Use the reversing switch only after the tool comes to a complete stop. Changing the direction of rotation before the tool stops may damage the tool.
- When not operating the tool, always set the reversing switch lever to the neutral position.

Speed change (Fig. 6)

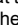
To change the speed, first switch off the tool and then slide the speed change lever to the "2" side for high speed or, "1" side for low speed. Be sure that the speed change lever is set to the correct position before operation. Use the right speed for your job.


⚠ CAUTION:

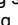
- Always set the speed change lever fully to the correct position. If you operate the tool with the speed change lever positioned halfway between the "1" side and, "2" side, the tool may be damaged.
- Do not use the speed change lever while the tool is running. The tool may be damaged.

Selecting the action mode (Fig. 7)

This tool employs an action mode changing ring. Select one of the three modes suitable for your work needs by using this ring.

For rotation only, turn the ring so that the arrow on the tool body points toward the  mark on the ring.

For rotation with hammering, turn the ring so that the arrow points toward the  mark on the ring.

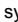
For rotation with clutch, turn the ring so that the arrow points toward the  mark on the ring.

⚠ CAUTION:

- Always set the ring correctly to your desired mode mark. If you operate the tool with the ring positioned halfway between the mode marks, the tool may be damaged.

Adjusting the fastening torque (screwdriver mode "") (Fig. 8)

The fastening torque can be adjusted in 21 steps by turning the adjusting ring so that its graduations are aligned with the pointer on the tool body.

First, slide the action mode change lever to the position of  symbol.

The fastening torque is minimum when the number 1 is aligned with the pointer, and maximum when the marking is aligned with the pointer. The clutch will slip at various torque levels when set at the number 1 to 21. Before actual operation, drive a trial screw into your material or a piece of duplicate material to determine which torque level is required for a particular application.




NOTE:

- The adjusting ring does not lock when the pointer is positioned only halfway between the graduations.

Empty signal for remaining battery capacity (Fig. 9)

Stop the tool and with the tool stopped press the button on the switch panel and the remaining battery capacity will be signaled on the panel.

The status displayed on the switch panel and the remaining battery capacity is shown in the following table.

LED indicator status	Remaining battery capacity
	About 50 % or more
	About 20 % - 50 %
	About less than 20 %

012023

NOTE:

- Before checking the remaining battery capacity, be sure to stop the tool.

ASSEMBLY

⚠ CAUTION:

- Always be sure that the tool is switched off and the battery cartridge is removed before carrying out any work on the tool.

Installing side grip (auxiliary handle) (Fig. 10)

Always use the side grip to ensure operating safety. Insert the side grip so that the protrusions on the grip base and steel band fit in between the grooves on the tool barrel. Then tighten the grip by turning clockwise. When you turn the side grip, loosen and remove the grip, then turn the grip and insert it again.

Installing or removing driver bit or drill bit (Fig. 11)

Turn the sleeve counterclockwise to open the chuck jaws. Place the bit in the chuck as far as it will go. Turn the sleeve clockwise to tighten the chuck. To remove the bit, turn the sleeve counterclockwise.

Installing bit holder (Fig. 12)

Fit the bit holder into the protrusion at the tool foot on either right or left side and secure it with a screw.

When not using the driver bit, keep it in the bit holders. Bits 45 mm long can be kept there.

Adjustable depth rod (Fig. 13)

The adjustable depth rod is used to drill holes of uniform depth. Loosen the clamp screw, set to desired position, then tighten the clamp screw.

Hook (Fig. 14)

The hook is convenient for temporarily hanging the tool. This can be installed on either side of the tool.


To install the hook, insert it into a groove in the tool housing on either side and then secure it with a screw. To remove, loosen the screw and then take it out.

OPERATION (Fig. 15)

Hammer drilling operation

CAUTION:

- There is a tremendous and sudden twisting force exerted on the tool/bit at the time of hole break-through, when the hole becomes clogged with chips and particles, or when striking reinforcing rods embedded in the concrete. Always use the side grip (auxiliary handle) and firmly hold the tool by both side grip and switch handle during operations. Failure to do so may result in the loss of control of the tool and potentially severe injury.

First, slide the action mode change lever so that it points to the  marking. The adjusting ring can be aligned in any torque levels for this operation.

Be sure to use a tungsten-carbide tipped bit.


Position the bit at the desired location for the hole, then pull the switch trigger. Do not force the tool. Light pressure gives best results. Keep the tool in position and prevent it from slipping away from the hole.

Do not apply more pressure when the hole becomes clogged with chips or particles. Instead, run the tool at an idle, then remove the bit partially from the hole. By repeating this several times, the hole will be cleaned out and normal drilling may be resumed.

Blow-out bulb (optional accessory) (Fig. 16)

After drilling the hole, use the blow-out bulb to clean the dust out of the hole.

Screwdriving operation

First, slide the action mode change lever so that it points to the  marking. Adjust the adjusting ring to the proper torque level for your work. Then proceed as follows.

Place the point of the driver bit in the screw head and apply pressure to the tool. Start the tool slowly and then increase the speed gradually. Release the switch trigger as soon as the clutch cuts in.


NOTE:

- Make sure that the driver bit is inserted straight in the screw head, or the screw and/or bit may be damaged.
- When driving wood screw, predrill a pilot hole 2/3 the diameter of the screw. It makes driving easier and prevents splitting of the workpiece.
- If the tool is operated continuously until the battery cartridge has discharged, allow the tool to rest for 15 minutes before proceeding with a fresh battery.

Drilling operation

CAUTION:

- Pressing excessively on the tool will not speed up the drilling. In fact, this excessive pressure will only serve to damage the tip of your bit, decrease the tool performance and shorten the service life of the tool.
- There is a tremendous force exerted on the tool/bit at the time of hole break through. Hold the tool firmly and exert care when the bit begins to break through the workpiece.
- A stuck bit can be removed simply by setting the reversing switch to reverse rotation in order to back out. However, the tool may back out abruptly if you do not hold it firmly.
- Always secure small workpieces in a vise or similar hold-down device.
- If the tool is operated continuously until the battery cartridge has discharged, allow the tool to rest for 15 minutes before proceeding with a fresh battery.

First, slide the action mode change lever so that it points to the  marking. The adjusting ring can be aligned in any torque levels for this operation. Then proceed as follows.

Drilling in wood

When drilling in wood, the best results are obtained with wood drills equipped with a guide screw. The guide screw makes drilling easier by pulling the bit into the workpiece.

Drilling in metal

To prevent the bit from slipping when starting a hole, make an indentation with a center-punch and hammer at the point to be drilled. Place the point of the bit in the indentation and start drilling.

Use a cutting lubricant when drilling metals. The exceptions are iron and brass which should be drilled dry.

MAINTENANCE

CAUTION:

- Always be sure that the tool is switched off and the battery cartridge is removed before attempting to perform inspection or maintenance.
- Never use gasoline, benzine, thinner, alcohol or the like. Discoloration, deformation or cracks may result.

Replacing carbon brushes (Fig. 17)

Replace when they wear down to the limit mark. Keep the carbon brushes clean and free to slip in the holders. Both carbon brushes should be replaced at the same time. Use only identical carbon brushes.

Use a screwdriver to remove two screws then remove the rear cover. (Fig. 18)

Raise the arm part of the spring and then place it in the recessed part of the housing with a slotted bit screwdriver of slender shaft or the like. (Fig. 19)

Use pliers to remove the carbon brush caps of the carbon brushes. Take out the worn carbon brushes, insert the new ones and replace the carbon brush caps in reverse. (Fig. 20)

Make sure that the carbon brush caps have fit into the holes in brush holders securely. (Fig. 21)

Reinstall the rear cover and tighten two screws securely. To maintain product SAFETY and RELIABILITY, repairs, any other maintenance or adjustment should be performed by Makita Authorized Service Centers, always using Makita replacement parts.

OPTIONAL ACCESSORIES

⚠ CAUTION:

- These accessories or attachments are recommended for use with your Makita tool specified in this manual. The use of any other accessories or attachments might present a risk of injury to persons. Only use accessory or attachment for its stated purpose.

If you need any assistance for more details regarding these accessories, ask your local Makita Service Center.

- Drill bits
- Hammer drill bits
- Screw bits
- Blow-out bulb
- Safety goggles
- Makita genuine battery and charger
- Grip assembly
- Depth rod
- Hook
- Rubber pad assembly
- Wool bonnet
- Foam polishing pad
- Battery protector

NOTE:

- Some items in the list may be included in the tool package as standard accessories. They may differ from country to country.

Noise

ENG905-1

The typical A-weighted noise level determined according to EN60745:

Model DHP448

Sound pressure level (L_{pA}): 82 dB (A)

Sound power level (L_{WA}): 93 dB (A)

Uncertainty (K): 3 dB (A)

Model DHP458

Sound pressure level (L_{pA}): 84 dB (A)

Sound power level (L_{WA}): 95 dB (A)

Uncertainty (K): 3 dB (A)

Wear ear protection.

Vibration

ENG900-1

The vibration total value (tri-axial vector sum) determined according to EN60745:

Model DHP448

Work mode: impact drilling into concrete

Vibration emission ($a_{h,1D}$): 8.5 m/s²

Uncertainty (K): 1.5 m/s²

Work mode: drilling into metal

Vibration emission ($a_{h,1D}$): 2.5 m/s² or less

Uncertainty (K): 1.5 m/s²

Model DHP458

Work mode: impact drilling into concrete

Vibration emission ($a_{h,1D}$): 9.5 m/s²

Uncertainty (K): 1.5 m/s²

Work mode: drilling into metal

Vibration emission ($a_{h,1D}$): 2.5 m/s² or less

Uncertainty (K): 1.5 m/s²

ENG901-1

- The declared vibration emission value has been measured in accordance with the standard test method and may be used for comparing one tool with another.
- The declared vibration emission value may also be used in a preliminary assessment of exposure.

⚠ WARNING:

- The vibration emission during actual use of the power tool can differ from the declared emission value depending on the ways in which the tool is used.
- Be sure to identify safety measures to protect the operator that are based on an estimation of exposure in the actual conditions of use (taking account of all parts of the operating cycle such as the times when the tool is switched off and when it is running idle in addition to the trigger time).

For European countries only

ENH101-15

EC Declaration of Conformity

We Makita Corporation as the responsible manufacturer declare that the following Makita machine(s):

Designation of Machine:

Cordless Hammer Driver Drill

Model No./ Type: DHP448, DHP458

are of series production and

Conforms to the following European Directives:

2006/42/EC

And are manufactured in accordance with the following standards or standardised documents:

EN60745

The technical documentation is kept by our authorised representative in Europe who is:

Makita International Europe Ltd.

Michigan Drive, Tongwell,

Milton Keynes, Bucks MK15 8JD, England

10. 8. 2011



Tomoyasu Kato

Director

Makita Corporation

3-11-8, Sumiyoshi-cho,

Anjo, Aichi, 446-8502, JAPAN

FRANÇAIS (Instructions d'origine)

Descriptif

1. Voyant rouge	13. Voyant DEL	25. Vis
2. Bouton	14. Rainure	26. Poire soufflante
3. Batterie	15. Partie saillante	27. Repère d'usure
4. Étoile	16. Bande d'acier	28. Couvercle arrière
5. Gâchette	17. Base de la poignée	29. Vis
6. Lampe	18. Poignée latérale	30. Bras
7. Levier de l'inverseur	19. Manchon	31. Ressort
8. Levier de changement de vitesse	20. Porte embout/foret	32. Partie encastrée
9. Bague de changement de mode	21. Embout/foret	33. Bouchon de charbon
10. Flèche	22. Tige de profondeur	34. Orifice
11. Bague de réglage	23. Vis de serrage	
12. Graduation	24. Crochet	

SPÉCIFICATIONS

Modèle		DHP448	DHP458
Capacités	Perçage dans le béton	14 mm	16 mm
	Perçage de l'acier	13 mm	13 mm
	Perçage du bois	65 mm	76 mm
	Serrage de la vis à bois	8 mm x 75 mm	10 mm x 90 mm
	Serrage de la vis à métaux	6 mm	
Vitesse à vide	Élevée (2)	0 - 1 800 min ⁻¹	0 - 2 000 min ⁻¹
	Basse (1)	0 - 350 min ⁻¹	0 - 400 min ⁻¹
Frappes par minute	Élevée (2)	0 - 27 000 min ⁻¹	0 - 30 000 min ⁻¹
	Basse (1)	0 - 5 200 min ⁻¹	0 - 6 000 min ⁻¹
Longueur totale		225 mm	
Poids net		2,2 kg	2,3 kg
Tension nominale		14,4 V C.C.	18 V C.C.

- Étant donné l'évolution constante de notre programme de recherche et de développement, les spécifications contenues dans ce manuel sont sujettes à des modifications sans préavis.
- Les spécifications et la batterie peuvent varier d'un pays à l'autre.
- Poids, batterie incluse, selon la procédure EPTA 01/2003

Utilisations

ENE079-1

L'outil est conçu pour le perçage à percussion dans la brique, le béton et la pierre. Il convient également au vissage et au perçage sans impact dans le bois, le métal, la céramique et le plastique.

Consignes de sécurité générales des outils électriques

GEA010-1

⚠ AVERTISSEMENT Veuillez lire toutes les consignes de sécurité et les instructions. Il y a un risque de choc électrique, d'incendie et/ou de blessure grave si les consignes et les instructions ne sont pas toutes respectées.

Conservez toutes les consignes et instructions pour référence ultérieure.

AVERTISSEMENTS DE SÉCURITÉ CONCERNANT LA PERCEUSE À PERCUSSION-VISSEUSE SANS FIL

GEB056-4

1. **Portez des protections auditives lorsque vous utilisez une perceuse à percussion.** L'exposition au bruit peut entraîner la surdité.
2. **Utilisez la/les poignée(s) auxiliaire(s) qui équipent éventuellement l'outil.** La perte de maîtrise comporte un risque de blessures.
3. **Tenez l'outil électrique par ses surfaces de poigne isolées lorsque vous effectuez une opération au cours de laquelle l'accessoire tranchant peut entrer en contact avec des fils cachés.** Il est possible que le contact avec un fil sous tension mette les parties métalliques exposées de l'outil sous tension, risquant ainsi de provoquer un choc électrique chez l'utilisateur.
4. **Tenez l'outil électrique par ses surfaces de poigne isolées lorsque vous effectuez une opération au cours de laquelle la pièce de fixation peut entrer en contact avec des fils cachés.** Il est possible que

les pièces de fixation entrant en contact avec un fil sous tension mettent les parties métalliques exposées de l'outil sous tension, risquant ainsi de provoquer un choc électrique chez l'utilisateur.

5. **Veillez à toujours avoir une bonne position d'équilibre.**
Assurez-vous que personne ne se trouve sous l'outil lorsque vous l'utilisez en position élevée.
6. Tenez l'outil fermement.
7. Gardez les mains éloignées des pièces en rotation.
8. N'abandonnez pas l'outil alors qu'il tourne. Ne faites fonctionner l'outil qu'une fois que vous l'avez bien en main.
9. Ne touchez ni l'embout ni la pièce immédiatement après le fonctionnement ; ils risquent d'être extrêmement chauds et de vous brûler la peau.
10. Certains matériaux contiennent des produits chimiques qui peuvent être toxiques. Veillez à éviter toute inhalation de poussière et tout contact avec la peau. Respectez les instructions de sécurité du fournisseur du matériel.

CONSERVEZ CES INSTRUCTIONS.

⚠ AVERTISSEMENT :

NE vous laissez PAS tromper (au fil d'une utilisation répétée) par un sentiment d'aisance et de familiarité avec le produit, en négligeant le respect rigoureux des consignes de sécurité qui accompagnent l'appareil. Une UTILISATION INCORRECTE de l'appareil ou un non-respect des consignes de sécurité indiquées dans ce manuel d'instructions peuvent causer des blessures graves.

CONSIGNES DE SÉCURITÉ IMPORTANTES

ENC007-7

POUR LA BATTERIE

1. Avant d'utiliser la batterie, veuillez lire toutes les instructions et tous les avertissements inscrits sur (1) le chargeur, (2) la batterie et (3) l'appareil alimenté par la batterie.
2. Ne démontez pas la batterie.
3. Cessez immédiatement d'utiliser la scie circulaire si le temps de fonctionnement devient excessivement court. Il y a risque de surchauffe, de brûlures, voire d'explosion.
4. Si l'électrolyte pénètre dans vos yeux, rincez-les à l'eau claire et consultez immédiatement un médecin. Il y a risque de perte de la vue.
5. Évitez de court-circuiter la batterie :
 - (1) Ne touchez les bornes avec aucun matériau conducteur.
 - (2) Évitez de ranger la batterie dans un contenant où se trouvent d'autres objets métalliques tels que des clous, pièces de monnaie, etc.
 - (3) N'exposez pas la batterie à l'eau ou à la pluie. Un court-circuit de la batterie risque de provoquer un fort courant, une surchauffe, parfois des brûlures et même une panne.

6. Ne rangez pas l'outil ou la batterie dans des endroits où la température risque d'atteindre ou de dépasser 50°C (122°F).
7. Ne jetez pas la batterie au feu même si elle est sérieusement endommagée ou complètement épuisée. La batterie peut exploser au contact du feu.
8. Veillez à ne pas laisser tomber ou heurter la batterie.
9. N'utilisez pas de batterie endommagée.

CONSERVEZ CES INSTRUCTIONS.

Conseils pour assurer la durée de vie optimale de la batterie

1. Rechargez la batterie avant qu'elle ne soit complètement épuisée.
Arrêtez toujours l'outil et rechargez la batterie quand vous constatez que la puissance de l'outil diminue.
2. Ne rechargez jamais une batterie complètement chargée.
La surcharge réduit la durée de service de la batterie.
3. Chargez la batterie alors que la température de la pièce se trouve entre 10°C et 40°C (50°F et 104°F). Si une batterie est chaude, laissez-la refroidir avant de la charger.
4. Si vous n'utilisez pas l'outil pendant une période prolongée, rechargez la batterie tous les six mois.

DESCRIPTION DU FONCTIONNEMENT

⚠ ATTENTION :

- Veillez toujours à ce que l'outil soit éteint et la batterie déposée avant d'effectuer des réglages ou de vérifier le fonctionnement de l'outil.

Installation ou retrait de la batterie (Fig. 1)

⚠ ATTENTION :

- Éteignez toujours l'outil avant d'installer ou de déposer la batterie.

Pour retirer la batterie, faites glisser le bouton à l'avant de la batterie et sortez la batterie.

Pour installer la batterie, alignez sa languette sur la rainure qui se trouve à l'intérieur du carter, puis glissez la batterie pour la mettre en place. Insérez-la bien à fond, jusqu'à ce qu'elle se verrouille en émettant un léger clic. Si vous pouvez voir le voyant rouge sur la face supérieure du bouton, la batterie n'est pas parfaitement verrouillée.

⚠ ATTENTION :

- Installez toujours la batterie à fond jusqu'à ce que le voyant rouge ne soit plus visible. Sinon, elle risque de tomber accidentellement de l'outil, en vous blessant ou en blessant une personne située près de vous.
- N'appliquez pas une force excessive lors de l'installation de la batterie. Si la batterie ne glisse pas aisément, c'est qu'elle n'est pas insérée correctement.

Système de protection de la batterie (batterie au lithium-ion comportant une étoile) (Fig. 2)

Les batteries au lithium-ion comportant une étoile sont équipées d'un système de protection. Ce système coupe automatiquement l'alimentation en électricité vers l'outil afin de prolonger sa durée de vie.

L'outil s'arrête automatiquement pendant son fonctionnement lorsqu'il et/ou la batterie se trouvent dans l'une des situations suivantes :

- **Surchargé :**
L'outil fonctionne de manière à créer un courant anormalement élevé.
Dans ce cas, relâchez la gâchette de l'outil et arrêtez l'application qui cause la surcharge de l'outil. Ensuite, tirez à nouveau sur la gâchette pour redémarrer l'outil.
Si l'outil ne démarre pas, la batterie est en surchauffe. Dans ce cas, laissez la batterie refroidir avant de presser à nouveau la gâchette.
- **Basse tension :**
L'autonomie restante est trop basse et l'outil ne fonctionnera pas. Dans ce cas, retirez la batterie et rechargez-la.

Interrupteur (Fig. 3)

⚠ ATTENTION :

- Avant d'insérer la batterie dans l'outil, vérifiez toujours que la gâchette fonctionne correctement et revient en position d'arrêt lorsqu'elle est libérée.

Pour mettre l'outil en marche, appuyez simplement sur la gâchette. La vitesse de l'outil augmente à mesure que l'on accroît la pression exercée sur la gâchette. Pour l'arrêter, relâchez la gâchette.

Allumage de la lampe avant (Fig. 4)

⚠ ATTENTION :

- Ne regardez pas directement la lumière ou la source lumineuse.

Appuyez sur la gâchette pour allumer la lampe. La lampe demeure allumée tant que la pression sur la gâchette est maintenue. La lampe s'éteint 10 à 15 secondes après la libération de la gâchette.

REMARQUE :

- Utilisez un chiffon sec pour essuyer les saletés qui recouvrent la lentille de la lampe. Prenez garde de ne pas rayer la lentille de la lampe, sinon sa capacité d'éclairage sera affectée.

Marche arrière (Fig. 5)

Cet outil possède un inverseur qui permet de changer le sens de rotation. Appuyez sur le levier de l'inverseur depuis le côté A pour une rotation dans le sens des aiguilles d'une montre, ou depuis le côté B pour une rotation en sens inverse.

La pression sur la gâchette n'est pas possible lorsque le levier de l'inverseur se trouve en position neutre.

⚠ ATTENTION :

- Vérifiez toujours le sens de rotation avant de mettre l'outil en marche.

- N'actionnez l'inverseur qu'une fois l'outil complètement arrêté. Si vous changez le sens de rotation de l'outil avant l'arrêt de celui-ci, vous risquez de l'endommager.
- Lorsque vous n'utilisez pas l'outil, placez toujours le levier de l'inverseur en position neutre.

Changement de vitesse (Fig. 6)


Pour changer de vitesse, commencez par éteindre l'outil, puis déplacez le levier de changement de vitesse sur le côté « 2 » pour faire fonctionner l'outil à grande vitesse, ou sur le côté « 1 » pour le faire fonctionner à vitesse réduite. Vérifiez que le levier de changement de vitesse est réglé sur la bonne position avant de commencer le travail. Utilisez la vitesse qui convient pour le travail à effectuer.


⚠ ATTENTION :


- Placez toujours parfaitement le levier de changement de vitesse sur la position correcte. Si vous faites fonctionner l'outil avec le levier de changement de vitesse situé à mi-course entre le côté « 1 » et le côté « 2 », il risque d'être endommagé.
- N'actionnez pas le levier de changement de vitesse pendant que l'outil fonctionne. Vous pourriez endommager l'outil.

Sélection du mode de fonctionnement (Fig. 7)

Cet outil est doté d'une bague de changement de mode. Utilisez cette bague pour sélectionner, parmi les trois modes disponibles, celui qui convient au travail à exécuter.

Pour la rotation uniquement, tournez la bague de sorte que la flèche du corps de l'outil pointe vers l'indication  de la bague.


Pour la rotation avec chocs, tournez la bague de sorte que la flèche pointe vers l'indication  sur la bague.

Pour la rotation avec engrenage, tournez la bague de sorte que la flèche pointe vers l'indication  sur la bague.

⚠ ATTENTION :

- Placez toujours la bague avec précision sur l'indication du mode désiré. Si vous utilisez l'outil alors que la bague se trouve à mi-course entre deux indications de mode, l'outil risque de subir des dommages.

Réglage du couple de serrage (mode tournevis « ») (Fig. 8)

Le couple de serrage peut être ajusté sur l'une des 21 positions en tournant la bague de réglage de sorte que ses graduations s'alignent sur l'index du carter de l'outil. Glissez d'abord le levier de changement de mode jusqu'à la position du symbole .

Le couple de serrage est minimal lorsque le numéro 1 est aligné sur l'index, et maximal lorsque l'indication est alignée sur l'index. L'engrenage passe à différents niveaux de couple lorsqu'il est défini entre 1 et 21. Avant le fonctionnement, placez une vis d'essai dans votre matériau ou un morceau de matériau que vous avez en double pour déterminer le niveau de couple requis pour une application spécifique.




REMARQUE :

- La bague de réglage ne se verrouille pas lorsque l'index se trouve entre deux graduations.

Signal de batterie épuisée (Fig. 9)

Arrêtez l'outil, puis appuyez sur le bouton situé sur le tableau de commande pour indiquer l'autonomie restante sur le tableau.

L'état affiché sur le tableau de commande et l'autonomie restante sont indiqués dans le tableau suivant.

État du voyant DEL	Autonomie restante
	50 % environ ou plus
	20 % à 50 % environ
	Moins de 20 % environ

012023

REMARQUE :

- Avant de vérifier l'autonomie restante, veillez à éteindre l'outil.

ASSEMBLAGE

⚠ ATTENTION :

- Assurez-vous toujours que l'outil est hors tension et la batterie retirée avant d'effectuer toute intervention sur l'outil.

Installation de la poignée latérale (poignée auxiliaire) (Fig. 10)

Pour une utilisation sûre, utilisez toujours la poignée latérale.

Insérez la poignée latérale de sorte que les parties saillantes de la base de la poignée et la bande d'acier pénètrent dans les rainures du barillet de l'outil. Serrez ensuite la poignée en la tournant dans le sens des aiguilles d'une montre.

Lorsque vous tournez la poignée latérale, desserrez et retirez la poignée, puis tournez-la et réinsérez-la.

Pour installer ou retirer l'embout ou le foret (Fig. 11)

Tournez le manchon dans le sens inverse des aiguilles d'une montre pour ouvrir les mâchoires du mandrin. Insérez le foret à fond dans le mandrin. Tournez le manchon dans le sens des aiguilles d'une montre pour serrer le mandrin. Pour retirer l'embout/le foret, tournez le manchon dans le sens inverse des aiguilles d'une montre.

Installation du porte-embout (Fig. 12)

Insérez le porte-embout dans la partie saillante à la base de l'outil, du côté gauche ou droit, puis serrez-le avec une vis.

Lorsque vous n'utilisez pas l'embout, rangez-le dans le porte-embout. Il peut contenir des embouts d'une longueur de 45 mm.

Tige de profondeur réglable (Fig. 13)

L'utilisation de la tige de profondeur réglable permet de percer des trous de même profondeur. Desserrez la vis de serrage, réglez-la sur la position désirée, puis resserrez la vis.

Crochet (Fig. 14)

L'outil est équipé d'un crochet pratique qui permet de le suspendre temporairement. Il s'installe d'un côté comme de l'autre de l'outil.


Pour installer le crochet, insérez-le dans une rainure du carter de l'outil d'un côté ou de l'autre puis serrez-le avec une vis. Pour le retirer, desserrez la vis et enlevez-le.

FONCTIONNEMENT (Fig. 15)

Perçage à percussion

⚠ ATTENTION :

- Une force de torsion énorme et soudaine s'exerce sur l'outil/le foret lors du perçage du trou, lorsque ce dernier est bouché par des copeaux et particules ou lorsque le foret frappe contre les armatures d'une structure en béton armé. Utilisez toujours la poignée latérale (poignée auxiliaire), tenez fermement l'outil par les deux poignées latérales et changez de poignée en cours d'utilisation. Dans le cas contraire, vous risquez de perdre la maîtrise de l'outil et vous courez un risque de blessure grave.

Glissez d'abord le levier de changement de mode de sorte qu'il pointe vers l'indication . Pour cette opération, la bague de réglage peut être alignée sur n'importe quel niveau de couple.

Vous devez utiliser un foret à pointe de carbure de tungstène.


Placez le foret au point où vous désirez percer le trou, puis appuyez sur la gâchette. Ne forcez pas sur l'outil. Vous obtiendrez de meilleurs résultats avec une légère pression. Gardez l'outil dans cette position et évitez qu'il ne glisse à l'extérieur du trou.

N'appliquez pas plus de pression lorsque le trou se bouche de copeaux ou particules. Faites plutôt tourner l'outil au ralenti, puis retirez partiellement le foret du trou. Vous pourrez poursuivre le perçage de façon normale après avoir répété plusieurs fois cette opération.

Poire soufflante (accessoire en option) (Fig. 16)

Une fois le trou percé, utilisez la poire soufflante pour retirer la poussière du trou.

Vissage

Glissez d'abord le levier de changement de mode de sorte qu'il pointe vers l'indication . Ajustez la bague de réglage sur le niveau de couple qui convient au travail à effectuer. Procédez ensuite comme suit.

Placez la pointe de l'embout dans la tête de vis et appliquez une pression sur l'outil. Faites démarrer l'outil à vitesse réduite puis augmentez progressivement la vitesse. Relâchez la gâchette dès que l'embrayage s'active.


REMARQUE :

- Assurez-vous que l'embout se trouve inséré bien droit dans la tête de vis, faute de quoi la vis et/ou l'embout risquent d'être endommagés.
- Lors de l'insertion de la vis à bois, percez un avant-trou correspondant à 2/3 du diamètre de la vis. Cela facilite le perçage et évite que la pièce se fende.
- Si l'outil a fonctionné de façon continue jusqu'à ce que la batterie soit épuisée, laissez-le reposer pendant 15 minutes avant de poursuivre avec une batterie chargée.

Perçage

⚠ ATTENTION :

- Une pression excessive sur l'outil n'accélère pas le perçage. En réalité la pression excessive endommagera le bout du foret, réduira l'efficacité de l'outil et raccourcira sa durée de service.
- Une force énorme s'exerce sur l'outil/le foret lorsque ce dernier sort par la face opposée de la pièce. Tenez l'outil fermement et faites bien attention lorsque le foret se met à sortir par la face opposée de la pièce.
- Un foret coincé peut être retiré en réglant simplement l'inverseur sur la rotation inverse pour faire marche arrière. L'outil peut toutefois faire brusquement marche arrière si vous ne le tenez pas fermement.
- Immobilisez toujours les petites pièces à travailler dans un étau ou un dispositif de retenue similaire.
- Si l'outil a fonctionné de façon continue jusqu'à ce que la batterie soit épuisée, laissez-le reposer pendant 15 minutes avant de poursuivre avec une batterie chargée.

Glissez d'abord le levier de changement de mode de sorte qu'il pointe vers l'indication . Pour cette opération, la bague de réglage peut être alignée sur n'importe quel niveau de couple. Procédez ensuite comme suit.

Perçage du bois

Pour percer dans le bois, vous obtiendrez de meilleurs résultats avec un foret à bois doté d'une vis de guidage. La vis de guidage facilite le perçage en entraînant le foret dans la pièce.

Perçage du métal

Pour que le foret ne glisse pas hors du trou lorsque vous commencez à le percer, faites une entaille à l'aide d'un pointeau et d'un marteau à l'emplacement prévu pour le perçage. Placez la pointe du foret dans l'entaille et commencez à percer.

Lorsque vous percez du métal, utilisez un lubrifiant de coupe. Seuls le fer et le laiton font exception et doivent être percés à sec.

ENTRETIEN

⚠ ATTENTION :

- Assurez-vous toujours que l'outil est hors tension et que la batterie est retirée avant d'y effectuer tout travail d'inspection ou d'entretien.
- N'utilisez jamais d'essence, de benzène, de diluant, d'alcool ou de produit similaire. Ces produits risquent de provoquer des décolorations, des déformations ou des fissures.

Remplacement des charbons (Fig. 17)

Remplacez-les lorsqu'ils atteignent le repère d'usure. Maintenez les charbons propres et en état de glisser aisément dans les porte-charbons. Les deux charbons doivent être remplacés en même temps. N'utilisez que des charbons identiques.

Retirez les deux vis à l'aide d'un tournevis puis enlevez le couvercle arrière. (Fig. 18)

Soulevez le bras du ressort puis placez-le dans la partie encastrée du carter avec un tournevis à tête fendue et tige mince ou un outil similaire. (Fig. 19)

Utilisez une paire de tenailles pour retirer les bouchons des charbons. Enlevez les charbons usés, insérez les neufs et remettez en place les bouchons sur les charbons. (Fig. 20)

Assurez-vous que les bouchons des charbons sont solidement en place dans les orifices des porte-charbons. (Fig. 21)

Remettez en place le couvercle arrière et serrez les deux vis fermement.

Pour garantir la SÉCURITÉ et la FIABILITÉ du produit, les réparations ainsi que tout autre travail d'entretien ou de réglage doivent être effectués dans un centre d'entretien Makita agréé, exclusivement avec des pièces de rechange Makita.

ACCESSOIRES FOURNIS EN OPTION

⚠ ATTENTION :

- Ces accessoires ou pièces complémentaires sont recommandés pour être utilisés avec l'outil Makita spécifié dans ce mode d'emploi. L'utilisation de tout autre accessoire ou pièce complémentaire peut comporter un risque de blessure. N'utilisez les accessoires ou pièces qu'aux fins auxquelles ils ont été conçus.

Pour obtenir plus de détails sur ces accessoires, contactez votre Centre de service local Makita.

- Forets
- Embouts pour percussion
- Embouts
- Poire soufflante
- Lunettes de sécurité
- Batterie et chargeur Makita d'origine
- Ensemble pour poignée
- Tige de profondeur
- Crochet
- Ensemble de coussinets en caoutchouc
- Capuchon de laine
- Tampon à polir en mousse
- Protecteur de batterie

REMARQUE :

- Certains éléments de la liste peuvent être inclus en tant qu'accessoires standard dans le coffret de l'outil envoyé. Ils peuvent varier suivant les pays.

Bruit

ENG905-1

Les niveaux de bruit pondéré A typiques ont été mesurés selon la norme EN60745 :

Modèle DHP448

Niveau de pression sonore (L_{pA}) : 82 dB (A)

Niveau de puissance sonore (L_{WA}) : 93 dB (A)

Incertitude (K) : 3 dB (A)

Modèle DHP458

Niveau de pression sonore (L_{pA}) : 84 dB (A)
Niveau de puissance sonore (L_{WA}) : 95 dB (A)
Incertitude (K) : 3 dB (A)

Portez des protections auditives.

La documentation technique est disponible auprès de
notre représentant en Europe :

Makita International Europe Ltd.
Michigan Drive, Tongwell,
Milton Keynes, Bucks MK15 8JD, Angleterre

Vibrations

ENG900-1

La valeur totale de vibration (somme du vecteur triaxial) a été déterminée selon la norme EN60745 :

Modèle DHP448

Mode de fonctionnement : perçage à percussion
dans le béton

Émission de vibrations ($a_{h,1D}$) : 8,5 m/s²
Incertitude (K) : 1,5 m/s²

Mode de fonctionnement : perçage du métal
Émission de vibrations ($a_{h,D}$) : 2,5 m/s² ou moins
Incertitude (K) : 1,5 m/s²

Modèle DHP458

Mode de fonctionnement : perçage à percussion
dans le béton

Émission de vibrations ($a_{h,1D}$) : 9,5 m/s²
Incertitude (K) : 1,5 m/s²

Mode de fonctionnement : perçage du métal
Émission de vibrations ($a_{h,D}$) : 2,5 m/s² ou moins
Incertitude (K) : 1,5 m/s²

ENG901-1

- La valeur de l'émission des vibrations déclarée a été mesurée conformément à la méthode de test standard et peut être utilisée afin de comparer des outils entre eux.
- La valeur de l'émission des vibrations déclarée peut également être utilisée lors d'une évaluation préliminaire de l'exposition.

AVERTISSEMENT :

- Selon la manière dont l'outil est utilisé, il est possible que l'émission des vibrations pendant l'utilisation réelle de l'outil électrique diffère de la valeur de l'émission déclarée.
- Veillez à identifier les mesures de sécurité destinées à protéger l'opérateur et établies en fonction de l'estimation de l'exposition dans les conditions réelles d'utilisation (en prenant en compte toutes les étapes du cycle de fonctionnement, telles que les périodes de mise hors tension de l'outil, les périodes de fonctionnement au ralenti et les périodes de mise en route).

Pour les pays d'Europe uniquement

ENH101-15

Déclaration de conformité CE

Nous, Makita Corporation, en tant que fabricant responsable, déclarons que la ou les machines Makita suivantes :

Nom de la machine :
Perceuse Percussion-Visseuse sans Fil
N° de modèle/Type : DHP448, DHP458

sont fabriquées en série et

sont conformes aux directives européennes suivantes :

2006/42/CE

et sont produites conformément aux normes ou documents de normalisation suivants :

EN60745

10. 08. 2011



Tomoyasu Kato
Directeur
Makita Corporation
3-11-8, Sumiyoshi-cho,
Anjo, Aichi, 446-8502, JAPAN

DEUTSCH (Originalanweisungen)

Erklärung der Gesamtdarstellung

- | | | |
|--------------------------------------|--------------------------------|-------------------------|
| 1. Roter Bereich | 11. Einstellring | 23. Klemmschraube |
| 2. Taste | 12. Skala | 24. Haken |
| 3. Akkublock | 13. LED-Anzeige | 25. Schraube |
| 4. Sternmarkierung | 14. Rille | 26. Ausblasvorrichtung |
| 5. Ein/Aus-Schalter | 15. Vorsprung | 27. Verschleißgrenze |
| 6. Leuchte | 16. Stahling | 28. Hintere Abdeckung |
| 7. Umschalthebel | 17. Grifffläche | 29. Schrauben |
| 8. Hebel zur Änderung der Drehzahl | 18. Seitengriff | 30. Arm |
| 9. Ring zum Wechseln der Betriebsart | 19. Kranz | 31. Feder |
| 10. Pfeil | 20. Halter für Werkzeugeinsatz | 32. Abgestufter Bereich |
| | 21. Werkzeugeinsatz | 33. Kohlebürstenkappe |
| | 22. Tiefenanschlag | 34. Loch |

TECHNISCHE DATEN

Modell		DHP448	DHP458
Leistungen	Bohren in Beton	14 mm	16 mm
	Bohren in Stahl	13 mm	13 mm
	Bohren in Holz	65 mm	76 mm
	Einschrauben von Holzschrauben	8 mm x 75 mm	10 mm x 90 mm
	Einschrauben von Maschinenschrauben	6 mm	
Leerlauf-Drehzahl	Hoch (2)	0 bis 1.800 min ⁻¹	0 bis 2.000 min ⁻¹
	Niedrig (1)	0 bis 350 min ⁻¹	0 bis 400 min ⁻¹
Schläge pro Minute	Hoch (2)	0 bis 27.000 min ⁻¹	0 bis 30.000 min ⁻¹
	Niedrig (1)	0 bis 5.200 min ⁻¹	0 bis 6.000 min ⁻¹
Gesamtlänge		225 mm	
Nettogewicht		2,2 kg	2,3 kg
Nennspannung		14,4 V Gleichspannung	18 V Gleichspannung

- Aufgrund unserer beständigen Forschungen und Weiterentwicklungen sind Änderungen an den hier angegebenen Technischen Daten ohne Vorankündigung vorbehalten.
- Die Technischen Daten und der Akkublock können in den einzelnen Ländern Abweichungen aufweisen.
- Gewicht, mit Akkublock, ermittelt gemäß EPTA-Verfahren 01/2003

Verwendungszweck

ENE079-1

Das Werkzeug ist zum Schlagbohren in Ziegel, Beton und Stein vorgesehen. Das Werkzeug eignet sich auch für das Einschrauben von Schrauben und das Bohren ohne Schlag in Holz, Metall, Keramik und Kunststoff.

Allgemeine Sicherheitshinweise für Elektrowerkzeuge

GEA010-1

⚠️ WARNUNG Lesen Sie alle Sicherheitshinweise und Anweisungen sorgfältig durch. Wenn die Hinweise und Anweisungen nicht beachtet werden, besteht die Gefahr eines Stromschlags, Brands und/oder das Risiko von ernsthaften Verletzungen.

Bewahren Sie alle Hinweise und Anweisungen zur späteren Referenz gut auf.

SICHERHEITSHINWEISE ZUM AKKU-SCHLAGBOHRSCHRAUBER

GEB056-4

1. **Tragen Sie beim Schlagbohren einen Gehörschutz.** Beständige Einwirkung von Lärm kann zu Gehörverlust führen.
2. **Verwenden Sie die ggf. mit dem Werkzeug gelieferten Zusatzgriffe.** Ein Verlust der Kontrolle über das Werkzeug kann zu Verletzungen führen.
3. **Halten Sie das Werkzeug an den isolierten Griffflächen, wenn Sie unter Bedingungen arbeiten, bei denen das Schneidwerkzeug verborgene Kabel berühren kann.** Bei Kontakt des Werkzeugs mit einem stromführenden Kabel wird der Strom an die Metallteile des Elektrowerkzeugs und dadurch an den Bediener weitergeleitet, und der Bediener erleidet einen Stromschlag.
4. **Halten Sie das Werkzeug an den isolierten Griffflächen, wenn Sie unter Bedingungen arbeiten, bei denen das Werkzeug versteckte**

Kabel berühren kann. Bei Kontakt des Schraubers mit einem stromführenden Kabel wird der Strom an die Metallteile des Elektrowerkzeugs und dadurch an den Bediener weitergeleitet, und der Bediener erleidet einen Stromschlag.

5. **Achten Sie jederzeit auf sicheren und festen Stand.**
Achten Sie bei Verwendung des Werkzeugs an erhöhten Standorten darauf, dass sich keine Personen unter dem Standort aufhalten.
6. **Halten Sie das Werkzeug mit festem Griff.**
7. **Halten Sie Ihre Hände von beweglichen Teilen fern.**
8. **Lassen Sie das Werkzeug nicht unbeaufsichtigt eingeschaltet.** Das Werkzeug darf nur dann eingeschaltet werden, wenn es festgehalten wird.
9. **Berühren Sie kurz nach dem Betrieb weder den Bit-Einsatz noch das Werkstück.** Diese können extrem heiß sein und zu Verbrennungen führen.
10. **Manche Materialien enthalten möglicherweise giftige Chemikalien.** Vermeiden Sie das Einatmen von Staub und den Hautkontakt mit diesen Materialien. Befolgen Sie die Sicherheitshinweise des Materialherstellers.

BEWAHREN SIE DIESE ANLEITUNG SORGFÄLTIG AUF.

WARNUNG:

Lassen Sie sich **NIE** durch Bequemlichkeit oder (aus fortwährendem Gebrauch gewonnener) Vertrautheit mit dem Werkzeug dazu verleiten, die Sicherheitsregeln für das Werkzeug zu missachten. Bei **MISSBRÄUHLICHER** Verwendung des Werkzeugs oder Missachtung der in diesem Handbuch enthaltenen Sicherheitshinweise kann es zu schweren Verletzungen kommen.

WICHTIGE SICHERHEITSGESETZE

ENCO07-7

FÜR AKKUBLOCK

1. **Lesen Sie vor der Verwendung des Akkublocks alle Anweisungen und Sicherheitshinweise für das Akkuladegerät (1), den Akku (2) und das Produkt (3), für das der Akku verwendet wird, sorgfältig durch.**
2. **Der Akkublock darf nicht zerlegt werden.**
3. **Falls die Betriebsdauer erheblich kürzer wird, beenden Sie den Betrieb umgehend. Andernfalls besteht die Gefahr einer Überhitzung sowie das Risiko möglicher Verbrennungen und sogar einer Explosion.**
4. **Wenn Elektrolyt in Ihre Augen gerät, waschen Sie diese mit klarem Wasser aus und suchen Sie sofort einen Arzt auf. Andernfalls können Sie Ihre Sehfähigkeit verlieren.**
5. **Vermeiden Sie einen Kurzschluss des Akkublocks:**
 - (1) **Die Kontakte dürfen nicht mit leitendem Material in Berührung kommen.**
 - (2) **Der Akkublock darf nicht in einem Behälter aufbewahrt werden, in dem sich andere**

metallische Gegenstände wie beispielsweise Nägel, Münzen usw. befinden.

- (3) **Der Akkublock darf weder Feuchtigkeit noch Regen ausgesetzt werden.**
Ein Kurzschluss des Akkus kann zu hohem Kriechstrom, Überhitzung, möglichen Verbrennungen und sogar zu einer Zerstörung des Werkzeugs führen.
6. **Werkzeug und Akkublock dürfen nicht an Orten aufbewahrt werden, an denen Temperaturen von 50°C oder darüber erreicht werden können.**
7. **Beschädigte oder verbrauchte Akkus dürfen nicht verbrannt werden.** Der Akkublock kann in den Flammen explodieren.
8. **Lassen Sie den Akku nicht fallen und vermeiden Sie Schläge gegen den Akku.**
9. **Verwenden Sie niemals einen beschädigten Akku.**

BEWAHREN SIE DIESE ANLEITUNG SORGFÄLTIG AUF.

Tipps für eine maximale Nutzungsdauer von Akkus

1. **Laden Sie den Akkublock auf, bevor der Akku vollständig entladen ist.**
Sobald Sie eine verringerte Leistung des Werkzeugs bemerken, beenden Sie stets den Betrieb des Werkzeugs und laden Sie den Akkublock auf.
2. **Ein voll aufgeladener Akkublock darf niemals erneut geladen werden.**
Durch Überladungen wird die Lebensdauer des Akkus verkürzt.
3. **Laden Sie den Akkublock bei einer Zimmertemperatur von 10°C bis 40°C auf.** Lassen Sie einen heißen Akkublock vor dem Aufladen abkühlen.
4. **Laden Sie den Akkublock aller sechs Monate auf, wenn Sie diesen für längere Zeit nicht verwenden.**

FUNKTIONSBESCHREIBUNG

ACHTUNG:

- Schalten Sie das Werkzeug stets aus und entfernen Sie den Akkublock, bevor Sie Einstellungen oder eine Funktionsprüfung am Werkzeug vornehmen.

Einsetzen und Entfernen des Akkublocks (Abb. 1)

ACHTUNG:

- Schalten Sie das Werkzeug stets aus, bevor Sie den Akkublock einsetzen oder abnehmen.

Zum Ausbauen des Akkublocks müssen Sie die Taste auf der Vorderseite des Akkublocks schieben und gleichzeitig den Akkublock aus dem Gerät herausziehen.

Zum Einbauen des Akkublocks müssen Sie die Zunge des Akkublocks an der Rille im Gehäuse ausrichten und in die gewünschte Position schieben. Setzen Sie den Akkublock unbedingt ganz ein, bis er mit einem Klick einrastet. Wenn Sie den roten Bereich oben auf der Taste sehen können, ist der Akkublock nicht ganz eingerastet.

ACHTUNG:

- Setzen Sie den Akkublock stets vollständig ein, bis der rote Bereich nicht mehr zu sehen ist. Andernfalls kann der Akkublock versehentlich aus dem Werkzeug fallen und Sie oder umstehende Personen verletzen.
- Wenden Sie beim Einsetzen des Akkublocks keine Gewalt an. Wenn der Akkublock nicht leicht hineingleitet, ist er nicht richtig angesetzt.

Akku-Schutzsystem (Lithium-Ionen-Akku ist mit einem Stern gekennzeichnet) (Abb. 2)

Mit einem Stern gekennzeichnete Lithium-Ionen-Akkus verfügen über ein Schutzsystem. Dieses System schaltet die Stromversorgung des Werkzeugs automatisch aus, um die Lebensdauer des Akkus zu verlängern.

Unter folgenden Bedingungen des Werkzeugs und/oder des Akkus kann das Werkzeug während des Betriebs automatisch stoppen:

- Überlastet:
Das Werkzeug wird auf eine Weise betrieben, die zu einer anormal hohen Stromaufnahme führt.
Lassen Sie in dieser Situation den Ein/Aus-Schalter des Werkzeugs los und beenden Sie die Arbeiten, die zu der Überlastung des Werkzeugs geführt haben. Betätigen Sie anschließend den Ein/Aus-Schalter wieder, um das Werkzeug wieder in Betrieb zu nehmen.
Wenn das Werkzeug nicht startet, ist der Akku überhitzt. Lassen Sie in dieser Situation den Akku erst abkühlen, bevor Sie wieder den Ein/Aus-Schalter betätigen.
- Spannung des Akkus zu niedrig:
Die noch vorhandene Akkuladung ist zu niedrig, und das Werkzeug startet nicht. Entnehmen Sie in dieser Situation den Akku und laden Sie den Akku wieder auf.

Ein- und Ausschalten (Abb. 3)

ACHTUNG:

- Achten Sie vor dem Einsetzen des Akkublocks in das Werkzeug darauf, dass sich der Ein/Aus-Schalter korrekt bedienen lässt und beim Loslassen in die Position „OFF“ (AUS) zurückkehrt.

Betätigen Sie zum Starten des Werkzeugs einfach den Ein/Aus-Schalter. Die Drehzahl des Werkzeugs wird durch größeren Druck auf den Ein/Aus-Schalter erhöht. Lassen Sie zum Ausschalten des Werkzeugs den Ein/Aus-Schalter los.

Einschalten der Frontleuchte (Abb. 4)

ACHTUNG:

- Schauen Sie nicht direkt in das Licht oder in die Lichtquelle.
- Bei Einschalten des Ein/Aus-Schalters leuchtet die Lampe auf. Solange Sie den Ein/Aus-Schalter auf EIN halten, leuchtet die Lampe. Nach dem Loslassen des Ein/Aus-Schalters erlischt die Lampe nach 10 bis 15 Sekunden.

HINWEIS:

- Wischen Sie Schmutz auf der Linse der Leuchte mit einem trockenen Tuch ab. Achten Sie darauf, dass die

Linse der Leuchte nicht zerkratzt wird, da dies die Leuchtstärke mindern kann.

Bedienen des Umschalters (Abb. 5)

Dieses Werkzeug verfügt über einen Umschalter für die Änderung der Drehrichtung. Für eine Drehung im Uhrzeigersinn drücken Sie den Umschalter von der Seite A hinein, und für eine Drehung entgegen dem Uhrzeigersinn von der Seite B.
Wenn sich der Umschalter in der neutralen Position befindet, kann der Ein/Aus-Schalter nicht betätigt werden.

ACHTUNG:

- Überprüfen Sie vor dem Betrieb immer erst die Drehrichtung.
- Der Umschalter darf nur betätigt werden, wenn das Werkzeug im Stillstand ist. Wenn Sie die Drehrichtung bei noch laufendem Werkzeug umschalten, kann das Werkzeug beschädigt werden.
- Ist das Werkzeug nicht in Gebrauch, muss der Umschalter immer auf die neutrale Position gestellt werden.

Ändern der Drehzahl (Abb. 6)

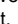
Schalten Sie zum Ändern der Drehzahl zunächst das Werkzeug aus, und schieben Sie dann den Hebel zur Änderung der Drehzahl auf „2“ (hohe Drehzahl) oder „1“ (niedrige Drehzahl). Überprüfen Sie vor dem Betrieb des Werkzeugs, ob sich der Hebel zur Änderung der Drehzahl in der richtigen Position befindet. Verwenden Sie die für die Arbeiten geeignete Drehzahl.


ACHTUNG:

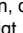
- Stellen Sie den Hebel zur Änderung der Drehzahl immer vollständig in die richtige Position. Wenn sich dieser Hebel bei Betrieb des Werkzeugs zwischen den Einstellungen „1“ und „2“ befindet, kann das Werkzeug beschädigt werden.
- Der Hebel zur Änderung der Drehzahl darf nicht betätigt werden, solange das Werkzeug in Betrieb ist. Andernfalls kann das Werkzeug beschädigt werden.

Auswählen der Betriebsart (Abb. 7)

Dieses Werkzeug verfügt über einen Ring zum Wechseln der Betriebsart. Mit Hilfe dieses Rings können Sie die Betriebsart auswählen, die sich für die auszuführenden Arbeiten am besten eignet. Es stehen drei Betriebsarten zur Auswahl:

Für eine reine Drehbewegung müssen Sie den Ring so drehen, dass der Pfeil auf dem Werkzeugkörper auf die Markierung  auf dem Ring zeigt.

Für eine Drehbewegung mit Schlag müssen Sie den Ring so drehen, dass der Pfeil auf die Markierung  auf dem Ring zeigt.


Für eine Drehbewegung mit Drehmomentkupplung müssen Sie den Ring so drehen, dass der Pfeil auf die Markierung  auf dem Ring zeigt.

ACHTUNG:

- Stellen Sie den Ring immer genau auf die Markierung der gewünschten Betriebsart. Wenn Sie das Werkzeug betreiben und sich der Ring zwischen den Markierungen der Betriebsarten befindet, kann das Werkzeug beschädigt werden.

Einstellen des Anzugsdrehmoments (Betriebsart „Schraubendreher“, „&“) (Abb. 8)

Das Anzugsdrehmoment kann durch Drehen des Einstellrings auf eine der 21 Stufen eingestellt werden. Drehen Sie dazu den Einstellring so, dass die gewünschte Stufe gegenüber dem Zeiger am Werkzeuggehäuse steht.

Schieben Sie zunächst den Hebel zum Wechseln der Betriebsart in die Position mit dem Symbol .




Das geringste Anzugsdrehmoment ist eingestellt, wenn die Zahl 1 am Zeiger ausgerichtet ist, und das höchste, wenn die Markierung am Zeiger ausgerichtet ist. Die Kupplung rutscht bei den verschiedenen Einstellung auf 1 bis 21 bei verschiedenen Drehmomenten. Schrauben Sie vor den eigentlichen Arbeiten zur Probe eine Schraube in das Material bzw. in ein Materialduplikat, um zu ermitteln, welche Drehmomentstufe für eine bestimmte Anwendung erforderlich ist.

HINWEIS:

- Wenn sich der Zeiger zwischen den einzelnen Einteilungen befindet, rastet der Einstellung nicht ein.

Symbol „Leer“ für verbleibende Akkuladung (Abb. 9)

Stoppen Sie das Werkzeug, und drücken Sie bei gestopptem Werkzeug die Taste am Bedienfeld. Dadurch wird die verbleibende Akkuladung im Display angezeigt. Der im Display angezeigte Status und die verbleibende Akkuladung sind in der folgenden Tabelle dargestellt.

Status LED-Anzeige	Verbleibende Akkuladung
	ca. 50 % oder mehr
	ca. 20 % bis 50 %
	ca. weniger als 20 %

012023

HINWEIS:

- Stellen Sie vor dem Prüfen der verbleibenden Akkuladung sicher, dass das Werkzeug gestoppt ist.

ZUSAMMENBAU

ACHTUNG:

- Schalten Sie das Werkzeug stets aus und entfernen Sie den Akkublock, bevor Sie Arbeiten am Werkzeug ausführen.

Anbringen des Seitengriffs (Zusatzgriff) (Abb. 10)

Verwenden Sie stets den Seitengriff, um einen sicheren Betrieb zu gewährleisten.

Stecken Sie den Seitengriff so auf, dass die Vorsprünge an der Grifffläche und am Stahling zwischen die Rillen an der Werkzeughülse passen. Ziehen Sie anschließend den Griff fest, indem Sie den Griff im Uhrzeigersinn drehen. Zum Drehen des Seitengriffs lösen Sie den Griff, nehmen Sie den Griff ab, drehen Sie anschließend den Griff und setzen Sie den Griff wieder ein.

Einsetzen und Entnehmen des Schraub- bzw. Bohreinsatzes (Abb. 11)

Drehen Sie den Kranz gegen den Uhrzeigersinn, um die Backen des Spannfutters zu öffnen. Schieben Sie den Einsatz so weit wie möglich in das Spannfutter. Drehen Sie den Kranz im Uhrzeigersinn, um das Spannfutter anzuziehen. Wenn Sie den Einsatz entnehmen möchten, müssen Sie den Kranz gegen den Uhrzeigersinn drehen.

Anbringen des Halters für Werkzeugeinsätze (Abb. 12)

Setzen Sie den Halter für Werkzeugeinsätze in den Vorsprung an der linken oder rechten Seite des Werkzeuflfußes ein, und befestigen Sie den Halter mit einer Schraube.

Wenn Sie den Schraubendrehereinsatz nicht verwenden, bewahren Sie den Einsatz im Halter für Werkzeugeinsätze auf. Es können Einsätze bis zu einer Länge von 45 mm aufbewahrt werden.

Verstellbarer Tiefenanschlag (Abb. 13)

Der verstellbare Tiefenanschlag wird verwendet, um Löcher von gleichmäßiger Tiefe zu bohren. Lösen Sie die Klemmschraube, stellen Sie den Tiefenanschlag in die gewünschte Position und ziehen Sie die Klemmschraube wieder fest.

Haken (Abb. 14)

Der Haken dient zum kurzzeitigen Aufhängen des Werkzeugs. Der Haken kann an beiden Seiten des Werkzeugs befestigt werden.

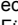
Setzen Sie den Haken in eine Rille am Werkzeuggehäuse (die Seite ist beliebig) ein und befestigen Sie den Haken mit einer Schraube. Zum Abbauen des Hakens müssen Sie nur die Schraube lösen und den Haken herausnehmen.

BETRIEB (Abb. 15)

Schlagbohren

ACHTUNG:

- Wenn die Bohrung durch Späne und Partikel verstopft ist oder wenn das Werkzeug auf Bewehrungen im Beton trifft, wirken beim Durchbruch enorme und abrupte Drehkräfte auf das Werkzeug bzw. den Einsatz. Nutzen Sie stets den Seitengriff (Zusatzgriff), und halten Sie während der Arbeit das Werkzeug am Seitengriff und am Schaltergriff fest. Andernfalls können Sie die Kontrolle über das Werkzeug verlieren und schwere Verletzungen erleiden.

Schieben Sie den Hebel zum Wechseln der Betriebsart zunächst auf die Markierung . Für diesen Vorgang kann der Einstellring an jeder beliebigen Drehmomentstufe ausgerichtet sein.


Achten Sie darauf, dass Sie einen Einsatz mit einer Hartmetallspitze verwenden. Setzen Sie den Einsatz auf die gewünschte Position für die Bohrung, und betätigen Sie dann den Ein/Aus-Schalter. Üben Sie keinen übermäßigen Druck auf das Werkzeug aus. Sie erzielen die besten Ergebnisse, wenn Sie nur leichten Druck ausüben. Halten Sie das Werkzeug in Position, und achten Sie darauf, dass es nicht von der Bohrung abrutscht.

Verstärken Sie den Druck nicht, wenn die Bohrung durch Späne oder Partikel verstopft ist. Betreiben Sie stattdessen das Werkzeug im Leerlauf und ziehen Sie dann den Einsatz teilweise aus der Bohrung. Wenn Sie diesen Vorgang mehrmals wiederholen, wird die Bohrung gesäubert, und Sie können den normalen Bohrvorgang fortsetzen.

Ausblasvorrichtung (optionales Zubehör) (Abb. 16)

Nachdem Sie das Loch gebohrt haben, entfernen Sie mit Hilfe der Ausblasvorrichtung den Staub aus der Bohrung.

Schrauben

Schieben Sie den Hebel zum Wechseln der Betriebsart zunächst auf die Markierung . Stellen Sie den Einstellring auf die für die Arbeiten geeignete Drehmomentstufe. Gehen Sie anschließend wie folgt vor: Setzen Sie die Spitze des Schraubeinsatzes auf den Schraubenkopf auf, und üben Sie Druck auf das Werkzeug aus. Beginnen Sie mit einer niedrigen Drehzahl, und erhöhen Sie nach und nach die Drehzahl. Sobald die Kupplung zu rutschen beginnt, lassen Sie den Schalter los.

HINWEIS:


- Vergewissern Sie sich, dass der Schraubeinsatz gerade im Schraubenkopf sitzt. Andernfalls können die Schraube und/oder der Einsatz beschädigt werden.
- Bohren Sie zum Einschrauben von Holzschrauben erst Löcher mit 2/3 des Durchmessers der Schrauben vor. So wird das Einschrauben vereinfacht, und das Werkstück splittert nicht.
- Wenn das Werkzeug bis zur vollständigen Entladung des Akkus betrieben wurde, lassen Sie das Werkzeug 15 Minuten liegen, bevor Sie die Arbeiten mit einem neuen Akku fortsetzen.

Bohren

ACHTUNG:

- Der Bohrvorgang kann nicht durch höheren Druck auf das Werkzeug beschleunigt werden. Ein zu hoher Druck beschädigt im Gegenteil die Spitze des Bohrers, vermindert die Leistung des Werkzeugs und verkürzt dessen Lebensdauer.
- Beim Durchbruch der Bohrung wirken enorme Kräfte auf das Werkzeug/den Bohreinsatz. Halten Sie das Werkzeug fest und seien Sie vorsichtig, wenn der Einsatz das Werkstück durchbricht.
- Ein festsitzzender Einsatz kann einfach wieder herausgezogen werden, indem am Umschalter die Drehrichtung geändert wird. Wenn Sie das Werkzeug nicht ganz fest halten, kann es jedoch zu einem abrupten Rückschlag des Werkzeugs kommen.

- Befestigen Sie kleine Werkstücke immer in einem Schraubstock oder einer ähnlichen Haltevorrichtung.
- Wenn das Werkzeug bis zur vollständigen Entladung des Akkus betrieben wurde, lassen Sie das Werkzeug 15 Minuten liegen, bevor Sie die Arbeiten mit einem neuen Akku fortsetzen.

Schieben Sie den Hebel zum Wechseln der Betriebsart zunächst auf die Markierung . Für diesen Vorgang kann der Einstellring an jeder beliebigen Drehmomentstufe ausgerichtet sein. Gehen Sie anschließend wie folgt vor:

Bohren in Holz

Beim Bohren in Holz werden die besten Ergebnisse mit Holzbohrern erzielt, die über eine Zentrierspitze verfügen. Die Zentrierspitze erleichtert den Bohrvorgang, da sie den Bohrer in das Werkstück zieht.

Bohren in Metall

Können Sie die Bohrung am vorgesehenen Punkt vor, damit der Bohrer zu Beginn einer Bohrung nicht abrutscht. Setzen Sie die Spitze des Bohrers in die Körnung, und beginnen Sie den Bohrvorgang. Verwenden Sie beim Bohren in Metall ein Bohrschmiermittel. Ausgenommen hiervon sind Eisen und Messing; diese Metalle sollten trocken gebohrt werden.

WARTUNG

ACHTUNG:

- Schalten Sie das Werkzeug stets aus und ziehen Sie den Akkublock ab, bevor Sie Inspektionen oder Wartungsarbeiten am Werkzeug vornehmen.
- Verwenden Sie zum Reinigen niemals Kraftstoffe, Benzin, Verdünnern, Alkohol oder ähnliches. Dies kann zu Verfärbungen, Verformungen oder Rissen führen.

Ersetzen der Kohlebürsten (Abb. 17)

Wenn die Kohlebürsten bis zur Verschleißgrenze abgenutzt sind, müssen die Kohlebürsten durch neue ersetzt werden. Halten Sie die Kohlebürsten sauber und sorgen Sie dafür, dass die Bürsten locker in den Halterungen gleiten. Ersetzen Sie immer beide Kohlebürsten gleichzeitig. Verwenden Sie nur identische Kohlebürsten.

Entfernen Sie die beiden Schrauben mit einem Schraubendreher, und entfernen Sie dann die hintere Abdeckung. (Abb. 18)

Heben Sie den Federarm, und setzen Sie diesen dann mit der schlanken Spitze eines Schlitzschraubendrehers oder einem ähnlichen Gegenstand in den abgestuften Bereich des Gehäuses. (Abb. 19)

Entfernen Sie mit Hilfe einer Zange die Kohlebürstenkappen der Kohlebürsten. Nehmen Sie die verschlissenen Kohlebürsten heraus und setzen Sie die neuen Kohlebürsten ein, indem Sie die oben genannten Schritte in umgekehrter Reihenfolge ausführen. (Abb. 20) Vergewissern Sie sich, dass die Kohlebürstenkappen fest in den Öffnungen der Bürstenhalter sitzen. (Abb. 21) Setzen Sie die hintere Abdeckung wieder auf, und ziehen Sie die beiden Schrauben fest an.

Zur Gewährleistung von SICHERHEIT und ZUVERLÄSSIGKEIT des Produkts sollten Reparaturen, Wartungsarbeiten und Einstellungen nur durch von Makita autorisierte Servicecenter durchgeführt und ausschließlich Makita-Ersatzteile verwendet werden.

SONDERZUBEHÖR

ACHTUNG:

- Für das in diesem Handbuch beschriebene Makita-Gerät werden die folgenden Zubehör- und Zusatzteile empfohlen. Bei Verwendung anderer Zubehör- und Zusatzteile kann es zu Verletzungen kommen. Verwenden Sie Zubehör- und Zusatzteile nur für den vorgesehenen Zweck.

Informationen zu diesem Zubehör erhalten Sie von Ihrem Makita-Servicecenter.

- Bohreinsätze
- Schlagbohreinsätze
- Schraubendrehereinsätze
- Ausblaskvorrichtung
- Schutzbrillen
- Original-Akku und Ladegerät von Makita
- Griff-Set
- Tiefenanschlag
- Haken
- Gummipolster-Set
- Wollhaube
- Polierschwamm
- Akkuschutz

HINWEIS:

- Einige der in der Liste aufgeführten Elemente sind dem Werkzeugpaket als Standardzubehör beigelegt. Diese können in den einzelnen Ländern voneinander abweichen.

Schallpegel

ENG905-1

Typischer A-bewerteter Schallpegel nach EN60745:

Modell DHP448

Schalldruckpegel (L_{pA}): 82 dB (A)
Schallleistungspegel (L_{WA}): 93 dB (A)
Abweichung (K): 3 dB (A)

Modell DHP458

Schalldruckpegel (L_{pA}): 84 dB (A)
Schallleistungspegel (L_{WA}): 95 dB (A)
Abweichung (K): 3 dB (A)

Tragen Sie Gehörschutz.

Schwingung

ENG900-1

Schwingungsgesamtwerte (Vektorsumme dreier Achsen) nach EN60745:

Modell DHP448

Betriebsart: Schlagbohren in Beton
Schwingungsbelastung ($a_{h,D}$): 8,5 m/s²
Abweichung (K): 1,5 m/s²

Betriebsart: Bohren in Metall
Schwingungsbelastung ($a_{h,D}$): 2,5 m/s² oder weniger
Abweichung (K): 1,5 m/s²

Modell DHP458

Betriebsart: Schlagbohren in Beton
Schwingungsbelastung ($a_{h,D}$): 9,5 m/s²
Abweichung (K): 1,5 m/s²

Betriebsart: Bohren in Metall
Schwingungsbelastung ($a_{h,D}$): 2,5 m/s² oder weniger
Abweichung (K): 1,5 m/s²

ENG901-1

- Der hier angegebene Wert für die erzeugten Schwingungen wurde gemäß dem genormten Testverfahren ermittelt und kann als Vergleich zu anderen Werkzeugen herangezogen werden.

- Der angegebene Wert für die erzeugten Schwingungen ist außerdem für eine vorbeugende Bewertung der Belastung zu verwenden.

WARNUNG:

- Die Schwingungsbelastung kann bei tatsächlichem Gebrauch des Elektrowerkzeugs in Abhängigkeit von der Handhabung des Elektrowerkzeugs von dem hier aufgeführten Wert abweichen.
- Stellen Sie sicher, dass Schutzmaßnahmen für den Bediener getroffen werden, die auf den unter den tatsächlichen Arbeitsbedingungen zu erwartenden Belastungen beruhen (beziehen Sie alle Bestandteile des Arbeitsablaufs ein, also zusätzlich zu den Arbeitszeiten auch Zeiten, in denen das Werkzeug ausgeschaltet ist oder ohne Last läuft).

Nur für europäische Länder

ENH101-15

EG-Konformitätserklärung

Wir, Makita Corporation als verantwortlicher Hersteller, erklären, dass das/die folgende/n Gerät/ Geräte der Marke Makita:

Bezeichnung des Geräts/der Geräte:

Akku-Schlagbohrschrauber

Nummer / Typ des Modells: DHP448, DHP458

in Serienfertigung hergestellt werden und

den folgenden Richtlinien der Europäischen Union genügen:

2006/42/EG

Außerdem werden die Geräte gemäß den folgenden

Standards oder Normen gefertigt:

EN60745

Die technische Dokumentation erfolgt durch unseren

Bevollmächtigten in Europa:

Makita International Europe Ltd.

Michigan Drive, Tongwell,

Milton Keynes, Bucks MK15 8JD, England

10. 8. 2011



Tomoyasu Kato

Direktor

Makita Corporation

3-11-8, Sumiyoshi-cho,
Anjo, Aichi, 446-8502, JAPAN

ITALIANO (Istruzioni originali)

Spiegazione della vista generale

1. Indicatore rosso	13. Indicatore LED	25. Vite
2. Pulsante	14. Scanalatura	26. Soffietto a peretta
3. Batteria	15. Sporgenza	27. Indicatore di limite
4. Contrassegno a stella	16. Fascia in acciaio	28. Coperchio posteriore
5. Interruttore di accensione	17. Base dell'impugnatura	29. Viti
6. Lampada	18. Impugnatura laterale	30. Braccio
7. Leva di inversione della rotazione	19. Manicotto	31. Molla
8. Leva di regolazione della velocità	20. Portapunte	32. Parte incavata
9. Anello per la modifica della modalità di azione	21. Punta	33. Coperchio della spazzola in carbonio
10. Freccia	22. Asta di regolazione della profondità	34. Foro
11. Anello di regolazione	23. Vite di serraggio	
12. Regolazione	24. Gancio	

CARATTERISTICHE TECNICHE

Modello		DHP448	DHP458
Capacità	Perforazione del cemento	14 mm	16 mm
	Perforazione dell'acciaio	13 mm	13 mm
	Perforazione del legno	65 mm	76 mm
	Serraggio viti da legno	8 mm x 75 mm	10 mm x 90 mm
	Serraggio viti da ferro	6 mm	
Velocità a vuoto	Elevata (2)	0 - 1.800 min ⁻¹	0 - 2.000 min ⁻¹
	Bassa (1)	0 - 350 min ⁻¹	0 - 400 min ⁻¹
Colpi al minuto	Elevata (2)	0 - 27.000 min ⁻¹	0 - 30.000 min ⁻¹
	Bassa (1)	0 - 5.200 min ⁻¹	0 - 6.000 min ⁻¹
Lunghezza totale		225 mm	
Peso netto		2,2 kg	2,3 kg
Tensione nominale		14,4 V CC	18 V CC

- Le caratteristiche tecniche riportate di seguito sono soggette a modifiche senza preavviso in virtù del nostro programma continuo di ricerca e sviluppo.
- Le caratteristiche tecniche e le batterie possono differire da paese a paese.
- Peso, comprensivo di batterie, calcolato in base alla Procedura EPTA 01/2003

Uso previsto

L'utensile è progettato per la foratura a percussione di mattoni, cemento e pietra. È inoltre utilizzabile per l'avvitatura e la foratura senza percussione di legno, metallo, ceramica e plastica.

ENE079-1

Avvertenze generali di sicurezza per l'uso dell'utensile

GEA010-1

⚠ AVVERTENZA Leggere attentamente tutte le avvertenze di sicurezza e le istruzioni. La mancata osservanza delle istruzioni e delle avvertenze riportate di seguito potrebbe provocare scosse elettriche, incendi e/o lesioni gravi.

Conservare le avvertenze e le istruzioni per riferimenti futuri.

AVVERTENZE DI SICUREZZA PER IL TRAPANO AVVITATORE A BATTERIA CON PERCUSSIONE

GEB056-4

1. **Durante l'uso i trapani a percussione è necessario indossare una protezione acustica.** L'esposizione al rumore può causare la perdita della capacità uditiva.
2. **Utilizzare le maniglie ausiliarie, se fornite con l'utensile.** La perdita di controllo può provocare lesioni personali.
3. **Se vengono eseguite operazioni in cui l'accessorio di taglio può toccare fili nascosti, impugnare l'utensile con i punti di presa isolati.** Se l'accessorio da taglio entra a contatto con un filo percorso da corrente, le parti metalliche esposte dell'utensile si troveranno anch'esse sotto tensione e potrebbero provocare scosse elettriche all'operatore.
4. **Se vengono eseguite operazioni in cui il dispositivo di fissaggio può toccare fili nascosti, impugnare l'utensile per i punti di presa isolati.** Se il dispositivo di fissaggio entra a contatto con un filo percorso da corrente, le parti metalliche esposte

- dell'utensile si troveranno anch'esse sotto tensione e potrebbero provocare scosse elettriche all'operatore.
5. **Accertarsi sempre di avere un equilibrio stabile. Controllare che nessuno si trovi sotto all'utensile quando lo si utilizza in posizioni elevate.**
 6. **Tenere l'utensile in modo saldo.**
 7. **Tenere le mani lontano dalle parti rotanti.**
 8. **Non lasciare l'utensile acceso. Azionare l'utensile solo dopo averlo impugnato.**
 9. **Non toccare la punta o il pezzo in lavorazione subito dopo aver utilizzato l'utensile in quanto possono raggiungere temperature elevate e provocare ustioni.**
 10. **Alcuni materiali contengono prodotti chimici che possono essere tossici. Prendere le adeguate precauzioni per evitare l'inalazione della polvere e il contatto con la pelle. Attenersi alle istruzioni per la sicurezza del fornitore dei materiali.**

CONSERVARE QUESTE ISTRUZIONI.

⚠ AVVERTENZA:

NON lasciare che la familiarità acquisita con il prodotto (dovuta all'uso ripetuto) provochi l'inosservanza delle norme di sicurezza per il presente prodotto. L'USO IMPROPRIO o la mancata osservanza delle norme di sicurezza contenute in questo manuale di istruzioni possono provocare gravi lesioni personali.

ISTRUZIONI IMPORTANTI PER LA SICUREZZA

ENC007-7

RELATIVE ALLA BATTERIA

1. **Prima di utilizzare la batteria, leggere tutte le istruzioni e gli avvisi di sicurezza relativi a (1) caricabatteria, (2) batteria e (3) prodotto utilizzato con la batteria.**
2. **Non smontare la batteria.**
3. **Se il tempo di funzionamento è diventato eccessivamente breve, non utilizzare l'utensile. Potrebbero verificarsi surriscaldamenti, ustioni o esplosioni.**
4. **In caso di contatto dell'elettrolita della batteria con gli occhi, sciacquare con acqua fresca e rivolgersi immediatamente a un medico. Potrebbero verificarsi danni permanenti alla funzionalità visiva.**
5. **Non cortocircuitare la batteria:**
 - (1) **Non toccare i terminali della batteria con materiale in grado di condurre elettricità.**
 - (2) **Evitare di conservare la batteria a contatto con oggetti metallici quali chiodi, monete e così via.**
 - (3) **Non esporre le batterie all'acqua o alla pioggia.**

Un cortocircuito può provocare un elevato flusso di corrente, surriscaldamento, ustioni o rotture.

6. **Non conservare l'utensile e la batteria a una temperatura superiore a 50 °C.**

7. **Evitare di smaltire le batterie danneggiate o esaurite bruciandole. Se esposte al fuoco, le batterie possono esplodere.**
8. **Evitare di far cadere o di colpire la batteria.**
9. **Non utilizzare batterie danneggiate.**

CONSERVARE QUESTE ISTRUZIONI.

Suggerimenti il prolungamento della durata della batteria

1. **Caricare le batterie prima di scaricarle completamente.**
Se si nota una diminuzione di potenza dell'utensile, interrompere il lavoro e ricaricare la batteria.
2. **Non ricaricare una batteria già completamente carica.**
In caso contrario, la durata operativa della batteria potrebbe ridursi.
3. **Caricare la batteria in ambienti con temperatura compresa tra 10 °C e 40 °C. Prima di caricare una batteria surriscaldata, lasciarla raffreddare.**
4. **Caricare la batteria una volta ogni sei mesi se l'utensile rimane inutilizzato per lungo tempo.**

DESCRIZIONE FUNZIONALE

⚠ ATTENZIONE:

- Prima di regolare o controllare le funzioni dell'utensile, verificare sempre di averlo spento e di aver rimosso la batteria.

Installazione o rimozione della batteria (Fig. 1)

⚠ ATTENZIONE:

- Prima di installare o rimuovere la batteria, spegnere sempre l'utensile.

Per rimuovere la batteria è sufficiente estrarla dall'utensile facendo scorrere il pulsante sulla parte anteriore della batteria.

Per inserire la batteria, allineare la linguetta della batteria con la scanalatura nell'alloggiamento e far scorrere la batteria in posizione. Inserire a fondo la batteria fino a bloccarla in posizione con uno scatto. Se è visibile l'indicatore rosso sul lato superiore del pulsante, la batteria non è completamente inserita.

⚠ ATTENZIONE:

- Inserire sempre la batteria fino in fondo, facendo scomparire l'indicatore rosso. In caso contrario, la batteria potrebbe fuoriuscire accidentalmente dall'utensile provocando lesioni all'operatore o eventuali osservatori.
- Non applicare una forza eccessiva per installare la batteria. Se la batteria non scorre agevolmente, la manovra di inserimento non è corretta.

Sistema di protezione della batteria (batteria agli ioni di litio con contrassegno a stella) (Fig. 2)

Le batterie agli ioni di litio con contrassegno a stella sono dotate di un sistema di protezione. Questo sistema interrompe automaticamente l'alimentazione dell'utensile per prolungare la durata della batteria.

L'utensile si spegne automaticamente durante l'uso se l'utensile stesso e/o la batteria vengono utilizzati in una delle seguenti condizioni:

- **Sovraccarico:**
La modalità d'uso dell'utensile provoca un assorbimento anomalo di corrente.
In questa situazione occorre rilasciare l'interruttore di accensione dell'utensile e interrompere l'applicazione che ne ha causato il sovraccarico. Azionare di nuovo l'interruttore di accensione per riavviare l'utensile.
Se l'utensile non si avvia, si è verificato un surriscaldamento della batteria. In questo caso attendere che la batteria si raffreddi prima di azionare nuovamente l'interruttore di accensione.
- **Bassa tensione della batteria:**
La capacità residua della batteria è troppo bassa e non consente il funzionamento dell'utensile. In questo caso occorre rimuovere e ricaricare la batteria.

Azionamento dell'interruttore (Fig. 3)

⚠ ATTENZIONE:

- Prima di inserire la batteria nell'utensile, verificare sempre che l'interruttore di accensione funzioni correttamente e ritorni in posizione "OFF" una volta rilasciato.

Per avviare l'utensile è sufficiente premere l'interruttore di accensione. Per aumentare la velocità dell'utensile, aumentare la pressione sull'interruttore. Rilasciare l'interruttore di accensione per arrestarlo.

Accensione delle lampada frontale (Fig. 4)

⚠ ATTENZIONE:

- Non guardare nella lampada e non osservare direttamente la sorgente luminosa.

Per accendere la lampada, azionare l'interruttore. La lampada rimane accesa finché si tiene premuto l'interruttore. La lampada si spegne automaticamente 10-15 secondi dopo il rilascio dell'interruttore.

NOTA:

- Utilizzare un panno asciutto per pulire la lente della lampada. Prestare attenzione a non graffiare la lente della lampada per evitare di ridurre l'intensità luminosa.

Azionamento della leva di inversione della rotazione (Fig. 5)

Questo utensile è dotato di una leva di inversione che consente di modificare la direzione di rotazione. Premere la leva di inversione dal lato A se si desidera una rotazione in senso orario, dal lato B se si desidera una rotazione in senso antiorario.

Quando la leva di inversione si trova in posizione centrale è impossibile azionare l'interruttore.

⚠ ATTENZIONE:

- Prima di azionare l'utensile, controllare sempre la direzione di rotazione impostata.
- Utilizzare la leva di inversione solo quando l'utensile è completamente fermo. Modificare la direzione di rotazione prima dell'arresto può danneggiare l'utensile.
- Nei periodi di inutilizzo, posizionare sempre la leva di inversione in posizione centrale.

Modifica della velocità (Fig. 6)


Per modificare la velocità, spegnere prima l'utensile, quindi far scorrere la leva di regolazione della velocità in posizione "2" se si desidera una velocità elevata o in posizione "1" se si desidera una velocità ridotta. Prima di azionare l'utensile, accertarsi di aver selezionato la velocità corretta. Utilizzare la velocità più adatta al lavoro da eseguire.


⚠ ATTENZIONE:

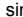
- Posizionare accuratamente la leva di regolazione della velocità nella posizione corretta. Se si aziona l'utensile mentre la leva di regolazione si trova in posizione intermedia tra "1" e "2", potrebbero verificarsi danni all'utensile.
- Non azionare la leva di regolazione della velocità mentre si utilizza l'utensile. L'uso in tali condizioni può danneggiare l'utensile.

Selezione della modalità operativa (Fig. 7)

Questo utensile dispone di un anello per la modifica della modalità di azione. Delle tre modalità operative, selezionare con l'anello quella più adatta alle proprie esigenze.

Per selezionare la foratura semplice, ruotare l'anello fino a quando la freccia sul corpo dell'utensile indica il simbolo .

Per selezionare la foratura con percussione, ruotare l'anello fino a quando la freccia sul corpo dell'utensile indica il simbolo .

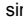
Per selezionare la foratura con frizione, ruotare l'anello fino a quando la freccia sul corpo dell'utensile indica il simbolo .

⚠ ATTENZIONE:

- Impostare sempre l'anello in corrispondenza della posizione desiderata. Se si aziona l'utensile mentre l'anello si trova in posizione intermedia tra due modalità, potrebbero verificarsi danni all'utensile.

Regolazione della coppia di serraggio (modalità cacciavite "g") (Fig. 8)

È possibile regolare la coppia di serraggio su 21 posizioni ruotando l'anello di regolazione fino ad allineare la posizione desiderata con l'indicatore presente sul corpo dell'utensile.

Per prima cosa, far scorrere la leva di modifica della modalità operativa nella posizione contrassegnata dal simbolo .

La coppia di serraggio è minima quando l'indicatore si trova in corrispondenza del numero 1 e massima quando si trova in corrispondenza del contrassegno. La frizione scorrerà a vari livelli di coppia quando è impostata su un numero da 1 a 21. Prima dell'utilizzo vero e proprio, fare una prova con una vite nel materiale o in un pezzo di

materiale analogo per determinare il livello di coppia più adatto per una particolare applicazione.




NOTA:

- L'anello di regolazione non si blocca quando l'indicatore si trova in posizione intermedia tra due gradazioni.

Segnale vuoto per la capacità residua della batteria (Fig. 9)

Arrestare l'utensile, quindi premere il pulsante sul pannello di commutazione e la capacità residua della batteria verrà segnalata sul pannello.

Lo stato visualizzato sul pannello di commutazione e la capacità residua della batteria sono illustrati nella seguente tabella.

Stato indicatore LED	Capacità residua della batteria
	Circa 50 % o più
	Circa 20 % - 50 %
	Meno del 20 %

012023

NOTA:

- Prima di controllare la capacità residua della batteria, assicurarsi di arrestare l'utensile.

MONTAGGIO

⚠ ATTENZIONE:

- Prima di eseguire qualsiasi operazione sull'utensile, verificare sempre di averlo spento e di aver rimosso la batteria.

Installazione dell'impugnatura laterale ausiliaria (Fig. 10)

Utilizzare sempre l'impugnatura laterale per operare in sicurezza.

Inserire l'impugnatura laterale in modo che le sporgenze alla base dell'impugnatura e sulla fascia in acciaio si adattino alle scanalature del portautensili. Serrare l'impugnatura ruotandola in senso orario.

Quando si ruota l'impugnatura laterale, allentarla e rimuoverla, quindi ruotare l'impugnatura e reinserirla.

Installazione o rimozione della punta da trapano o da avvitatura (Fig. 11)

Ruotare il manicotto in senso antiorario per aprire le griffe del mandrino. Inserire completamente la punta nel mandrino. Ruotare il manicotto in senso orario per serrare il mandrino. Per rimuovere la punta, ruotare il manicotto in senso antiorario.

Installazione del portapunte (Fig. 12)

Inserire il portapunte nella sporgenza alla base dell'utensile (a destra o a sinistra) e fissarlo con una vite. Quando non si utilizza la punta da avvitatura è possibile riporla nel portapunte. Il portapunte consente di alloggiare punte lunghe da 45 mm.

Asta di regolazione della profondità (Fig. 13)

L'asta consente di eseguire fori di profondità uniforme. Allentare la vite di serraggio, impostare la posizione desiderata, quindi stringere la vite di serraggio.

Gancio (Fig. 14)

Il gancio è utile per appendere temporaneamente l'utensile. Può essere installato su entrambi i lati dell'utensile.

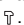
Per installare il gancio, inserirlo in una delle scanalature presenti su ambo i lati dell'alloggiamento dell'utensile e fissarlo con una vite. Per rimuovere il gancio, allentare la vite ed estrarlo.

FUNZIONAMENTO (Fig. 15)

Foratura con percussione

⚠ ATTENZIONE:

- Quando la foratura è al termine, quando il foro è ostruito da frammenti e schegge o quando la punta colpisce i tondini di metallo presenti nel cemento, la punta e lo strumento sono soggetti a una forza di torsione di notevole intensità. Utilizzare sempre l'impugnatura laterale (maniglia ausiliaria) e tenere saldamente l'utensile utilizzando sia l'impugnatura laterale che l'impugnatura con interruttore durante il funzionamento. In caso contrario è possibile perdere il controllo dell'utensile con conseguente rischio di gravi lesioni personali.

Far scorrere innanzitutto la leva di modifica della modalità operativa nella posizione contrassegnata dal simbolo .

Per questa modalità operativa, l'anello può essere allineato su uno qualsiasi dei livelli di coppia.

Utilizzare sempre punte con estremità in carburo di tungsteno.


Collocare la punta nella posizione desiderata per il foro, quindi premere l'interruttore. Non forzare l'utensile. Una pressione lieve produce risultati migliori. Mantenere l'utensile in posizione e impedire la fuoriuscita della punta dal foro.

Non aumentare la pressione quando il foro è ostruito da frammenti o schegge. Al contrario, azionare l'utensile alla velocità minima, quindi allontanare parzialmente la punta dal foro. Ripetere l'operazione più volte finché il foro risulta libero ed è possibile riprendere la foratura.

Soffietto a peretta (accessorio opzionale) (Fig. 16)

Al termine dalla foratura, utilizzare il soffietto a peretta per ripulire il foro dalla polvere.

Avvitatura

Far scorrere innanzitutto la leva di modifica della modalità operativa nella posizione contrassegnata dal simbolo . Impostare l'anello di regolazione sul livello di coppia adeguato per l'esigenza specifica. Procedere come indicato di seguito.

Inserire l'estremità della punta nella testa della vite ed esercitare pressione sull'utensile. Avviare lentamente l'utensile aumentando la velocità in modo graduale. Appena la frizione entra in azione, rilasciare l'interruttore.

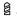
NOTA:

- Accertarsi di aver inserito correttamente la punta nella testa della vite. In caso contrario, la punta o la vite potrebbero danneggiarsi.
- Quando si deve avvitare una vite da legno, trapanare prima un foro pilota dal diametro pari a 2/3 della vite. In questo modo l'avvitatura è più semplice e si previene la rottura del pezzo da avvitare.
- Se si utilizza continuamente l'utensile fino al completo scaricamento della batteria, attendere 15 minuti prima di continuare a utilizzarlo con una nuova batteria.

Foratura

ATTENZIONE:

- Applicare una pressione eccessiva sull'utensile non equivale ad accelerare la foratura. Al contrario, una pressione eccessiva può danneggiare l'estremità della punta, diminuire l'efficacia dell'utensile e abbreviarne la vita utile.
- Quando la foratura è al termine, l'utensile e la punta sono soggetti a una forza molto intensa. Impugnare saldamente l'utensile e prestare particolare attenzione quando il foro è quasi completato.
- Per rimuovere una punta inceppata è sufficiente invertire il senso di rotazione dell'utensile e azionarlo brevemente. Tuttavia, se non lo si impugna saldamente, l'utensile potrebbe rimbalzare all'improvviso.
- Fissare sempre i pezzi di piccole dimensioni con una morsa o simili.
- Se si utilizza continuamente l'utensile fino al completo scaricamento della batteria, attendere 15 minuti prima di continuare a utilizzarlo con una nuova batteria.

Far scorrere innanzitutto la leva di modifica della modalità operativa nella posizione contrassegnata dal simbolo . Per questa modalità operativa, l'anello può essere allineato su uno qualsiasi dei livelli di coppia. Procedere come indicato di seguito.

Foratura del legno

In questo caso, per ottenere risultati migliori è consigliabile utilizzare punte da legno dotate di una vite guida, che agevola la foratura indirizzando la punta all'interno del pezzo da lavorare.

Foratura del metallo

Per impedire lo slittamento della punta all'inizio della foratura, utilizzare un punzone per centri e un martello per creare una cavità nella posizione in cui eseguire il foro. Collocare l'estremità della punta nella cavità e iniziare la foratura.

Per la foratura dei metalli, utilizzare un lubrificante da taglio. Ferro e ottone devono essere invece forati a secco.

MANUTENZIONE

ATTENZIONE:

- Prima di effettuare controlli e operazioni di manutenzione, verificare sempre di aver spento l'utensile e di aver rimosso la batteria.
- Evitare assolutamente di usare benzina, diluenti, solventi, alcol o sostanze simili. In caso contrario, potrebbero verificarsi scoloriture, deformazioni o incrinature.

Sostituzione delle spazzole in carbonio (Fig. 17)

Sostituire le spazzole quando sono consumate fino al limite indicato. Mantenere le spazzole in carbonio pulite e in grado di scivolare liberamente nei supporti. Le spazzole in carbonio devono essere sostituite contemporaneamente. Utilizzare solo spazzole in carbonio identiche.

Con un cacciavite, rimuovere le viti sul coperchio posteriore e asportare il coperchio. (Fig. 18) Sollevare il braccio della molla e collocarlo nella parte incavata dell'alloggiamento utilizzando un cacciavite ad asta sottile con punta a taglio o uno strumento analogo. (Fig. 19)

Utilizzare le pinze per estrarre i coperchi delle spazzole in carbonio. Estrarre le spazzole in carbonio consumate, inserire le nuove spazzole e collocare nuovamente in posizione i coperchi. (Fig. 20) Accertarsi di aver inserito correttamente i coperchi nei fori dei portaspazzole. (Fig. 21)

Reinstallare il coperchio posteriore e serrare le due viti. Per preservare la sicurezza e l'affidabilità del prodotto, qualsiasi riparazione o intervento di manutenzione e regolazione deve essere eseguito dai centri assistenza autorizzati Makita, utilizzando sempre ricambi Makita.

ACCESSORI OPZIONALI

ATTENZIONE:

- Si consiglia l'uso dei seguenti accessori per l'utensile Makita descritto in questo manuale. L'uso di qualsiasi altro accessorio potrebbe provocare lesioni personali. Utilizzare gli accessori esclusivamente per l'uso dichiarato.

Per l'assistenza e per ulteriori informazioni su tali accessori, rivolgersi al centro assistenza Makita di zona.

- Punta per foratura
- Punta per trapano a percussione
- Punta per avvitatura
- Soffietto a peretta
- Occhiali di sicurezza
- Batteria e caricabatteria originali Makita
- Gruppo impugnatura
- Asta di regolazione della profondità
- Gancio
- Platorello in gomma
- Cuffia in lana
- Tampone da lucidatura
- Custodia batteria

NOTA:

- Alcuni degli accessori elencati potrebbero essere inclusi nella confezione dell'utensile come accessori standard. Gli accessori standard possono differire da paese a paese.

Rumore

ENG905-1

Il tipico livello di rumore ponderato A è determinato in conformità alla norma EN60745:

Modello DHP448

Livello di pressione sonora (L_{pA}): 82 dB (A)

Livello di potenza sonora (L_{WA}): 93 dB (A)

Variazione (K): 3 dB (A)

Modello DHP458

Livello di pressione sonora (L_{pA}): 84 dB (A)

Livello di potenza sonora (L_{WA}): 95 dB (A)

Variazione (K): 3 dB (A)

Indossare la protezione acustica.**Vibrazioni**

ENG900-1

Il valore totale delle vibrazioni (somma vettoriale triassiale) è determinato in conformità alla norma EN60745:

Modello DHP448

Modalità di lavoro: foratura a percussione del cemento

Emissione di vibrazioni ($a_{h,D}$): 8,5 m/s²

Variazione (K): 1,5 m/s²

Modalità di lavoro: foratura metallo

Emissione di vibrazioni ($a_{h,D}$): 2,5 m/s² o inferiore

Variazione (K): 1,5 m/s²

Modello DHP458

Modalità di lavoro: foratura a percussione del cemento

Emissione di vibrazioni ($a_{h,D}$): 9,5 m/s²

Variazione (K): 1,5 m/s²

Modalità di lavoro: foratura metallo

Emissione di vibrazioni ($a_{h,D}$): 2,5 m/s² o inferiore

Variazione (K): 1,5 m/s²

ENG901-1

- Il valore di emissione delle vibrazioni dichiarato è stato misurato in conformità con il metodo di test standard e può essere utilizzato per confrontare tra loro diversi utensili.
- Il valore dell'emissione delle vibrazioni dichiarato può anche essere usato per stime preliminari dell'esposizione.

⚠ AVVERTENZA:

- L'emissione delle vibrazioni durante l'uso effettivo dell'utensile elettrico può risultare diversa rispetto al valore dichiarato, in base alla modalità d'uso dell'utensile.
- Assicurarsi di individuare le necessarie misure di sicurezza per proteggere l'operatore in base a una stima dell'esposizione nelle condizioni reali di utilizzo (prendendo in considerazione tutte le fasi del ciclo operativo, come quante volte l'utensile viene spento e i periodi in cui rimane inattivo, oltre al tempo di avviamento).

Solo per i paesi europei**Dichiarazione di conformità CE**

Makita Corporation, in qualità di produttore responsabile, dichiara che le macchine Makita indicate di seguito:

Denominazione della macchina:

Trapano avvitatore a batterie con percussione

N. modello / Tipo: DHP448, DHP458

appartengono a una produzione in serie e sono conformi alle seguenti direttive europee:

2006/42/EC

Sono inoltre prodotte in conformità con gli standard o i documenti standardizzati riportati di seguito:

EN60745

La documentazione tecnica è conservata dal rappresentante autorizzato in Europa, vale a dire:

Makita International Europe, Ltd.

Michigan Drive, Tongwell,

Milton Keynes, Bucks MK15 8JD, Inghilterra

10. 8. 2011



Tomoyasu Kato

Direttore

Makita Corporation

3-11-8, Sumiyoshi-cho,
Anjo, Aichi, 446-8502, JAPAN

NEDERLANDS (Originele instructies)

Verklaring van het onderdelenoverzicht

1. Rode deel	13. LED-indicator	25. Schroef
2. Knop	14. Groef	26. Blaasbalgje
3. Accu	15. Uitsteeksel	27. Slijtgrensmarkering
4. Ster-merkteken	16. Metalen klemband	28. Achterkap
5. Aan/uit-schakelaar	17. Basis van de zijhandgreep	29. Schroeven
6. Lampje	18. Zijhandgreep	30. Arm
7. Omkeerschakelaar	19. Mof	31. Veer
8. Snelheidsinstelknop	20. Bithouder	32. Verdiepte deel
9. Werkingsfunctie-keuzering	21. Boor	33. Koelborstelkap
10. Pijl	22. Dieptegeleider	34. Opening
11. Instelring	23. Klemschroef	
12. Schaalverdeling	24. Haak	

TECHNISCHE GEGEVENS

	Model	DHP448	DHP458
Maximale dikten	Boren in beton	14 mm	16 mm
	Boren in staal	13 mm	13 mm
	Boren in hout	65 mm	76 mm
	Vastdraaien van houtschroeven	8 mm x 75 mm	10 mm x 90 mm
	Vastdraaien van machineschroeven	6 mm	
Onbelast toerental	Hoog (2)	0 - 1.800 min ⁻¹	0 - 2.000 min ⁻¹
	Laag (1)	0 - 350 min ⁻¹	0 - 400 min ⁻¹
Aantal slagen/minuut	Hoog (2)	0 - 27.000 min ⁻¹	0 - 30.000 min ⁻¹
	Laag (1)	0 - 5.200 min ⁻¹	0 - 6.000 min ⁻¹
Totale lengte		225 mm	
Nettogewicht		2,2 kg	2,3 kg
Nominale spanning		14,4 volt gelijkstroom	18 volt gelijkstroom

- Als gevolg van ons doorlopende onderzoeks- en ontwikkelingsprogramma, zijn de technische gegevens van dit gereedschap onderhevig aan veranderingen zonder voorafgaande kennisgeving.
- Specificaties en accu's kunnen van land tot land verschillen.
- Gewicht, inclusief de accu, volgens de EPTA-procedure 01/2003


Gebruiksdoelinden

ENE079-1

Het gereedschap is bedoeld voor slagboren en boren in baksteen, beton en steen. Het is ook geschikt voor schroeven draaien en boren zonder slagwerking in hout, metaal, keramisch materiaal en kunststof.

Algemene veiligheids waarschuwingen voor elektrisch gereedschap

GEA010-1

 **WAARSCHUWING** Lees alle veiligheids waarschuwingen en alle instructies. Het niet volgen van de waarschuwingen en instructies kan leiden tot elektrische schokken, brand en/of ernstig letsel.

Bewaar alle waarschuwingen en instructies om in de toekomst te kunnen raadplegen.

VEILIGHEIDSWAARSCHUWINGEN SPECIFIEK VOOR EEN ACCUSCHROEF-BOORHAMERMACHINE

GEB056-4

1. **Draag gehoorbescherming tijdens het gebruik van een slagschroevendraaier/boorhamer.** Blootstelling aan harde geluiden kan leiden tot gehoorbeschadiging.
2. **Gebruik de hulphandgrepen, als deze bij het gereedschap werden geleverd.** Als u de controle over het gereedschap verliest, kan dit leiden tot persoonlijk letsel.
3. **Houd het elektrisch gereedschap vast aan het geïsoleerde oppervlak van de handgrepen wanneer u werkt op plaatsen waar het booraccessoire met verborgen bedrading in aanraking kan komen.** Wanneer het accessoire in aanraking komt met onder spanning staande draden, zullen de niet-geïsoleerde metalen delen van het gereedschap onder spanning komen te staan zodat de gebruiker een elektrische schok kan krijgen.

4. **Houd het elektrisch gereedschap vast aan het geïsoleerde oppervlak van de handgrepen wanneer u werkt op plaatsen waar het bevestigingsmateriaal met verborgen bedrading in aanraking kan komen.** Wanneer bevestigingsmaterialen in aanraking komen met onder spanning staande draden, zullen de niet-geïsoleerde metalen delen van het gereedschap onder spanning komen te staan zodat de gebruiker een elektrische schok kan krijgen.
5. **Zorg er altijd voor dat u stevig staat. Zorg ervoor dat er niemand zich onder u bevindt wanneer u het gereedschap op een hoge plaats gebruikt.**
6. **Houd het gereedschap stevig vast.**
7. **Houd uw handen uit de buurt van draaiende delen.**
8. **Laat het gereedschap niet ingeschakeld liggen. Bedien het gereedschap alleen wanneer u het vasthoudt.**
9. **Raak de bit en het werkstuk niet onmiddellijk na gebruik aan. Zij kunnen bijzonder heet zijn en brandwonden op uw huid veroorzaken.**
10. **Sommige materialen bevatten chemische stoffen die giftig kunnen zijn. Neem voorzorgsmaatregelen tegen het inademen van stof en contact met de huid. Volg de veiligheidsinstructies van de leverancier van het materiaal op.**
- (2) **Bewaar de accu niet op een plaats waar deze in aanraking kan komen met andere metalen voorwerpen, zoals spijkers, munten, enz.**
- (3) **Stel de accu niet bloot aan water of regen. Kortsluiting van de accu kan leiden tot een hoge stroomsterkte, oververhitting, mogelijke brandwonden en zelfs een defect.**
6. **Bewaar het gereedschap en de accu niet op plaatsen waar de temperatuur kan oplopen tot 50 °C of hoger.**
7. **Werp de accu niet in een vuur, zelfs niet als deze al ernstig beschadigd of helemaal versleten is. De accu kan in een vuur exploderen.**
8. **Wees voorzichtig dat u de accu niet laat vallen of ergens tegenaan stoot.**
9. **Gebruik nooit een beschadigde accu.**

BEWAAR DEZE INSTRUCTIES.

Tips voor een lange levensduur van de accu

1. **Laad de accu op voordat deze volledig leeg is. Wanneer u merkt dat het gereedschap minder vermogen heeft, stopt u met het gebruik ervan en laadt u eerst de accu op.**
2. **Laad nooit een volledig opgeladen accu op. Te lang opladen verkort de levensduur van de accu.**
3. **Laad de accu op bij een omgevingstemperatuur van 10 °C tot 40 °C. Laat een warme accu eerst afkoelen voordat u deze oplaadt.**
4. **Laad de accu ieder half jaar op als u deze gedurende een lange tijd niet gebruikt.**

BEWAAR DEZE INSTRUCTIES.

⚠ WAARSCHUWING:

Laat u **NIET** misleiden door een vals gevoel van comfort en bekendheid met het gereedschap (na veelvuldig gebruik) en neem alle veiligheidsvoorschriften van het betreffende product altijd strikt in acht. **VERKEERD GEBRUIK** of het niet volgen van de veiligheidsinstructies in deze gebruiksaanwijzing kan leiden tot ernstig persoonlijk letsel.

BELANGRIJKE VEILIGHEIDSinSTRUCTIES ENC007-7

VOOR ACCU'S

1. **Alvorens de accu in gebruik te nemen, leest u eerst alle instructies en waarschuwingsofschriften op (1) de acculader, (2) de accu en (3) het apparaat waarin de accu wordt aangebracht.**
2. **Haal de accu niet uit elkaar.**
3. **Als de gebruikstijd aanzienlijk korter is geworden, stopt u onmiddellijk met het gebruik. Anders kan dit leiden tot kans op oververhitting, mogelijke brandwonden en zelfs een explosie.**
4. **Als de elektrolyt in uw ogen komt, wast u deze uit met schoon water en raadpleegt u onmiddellijk een arts. Dit kan leiden tot verlies van gezichtsvermogen.**
5. **Sluit de accu niet kort:**
 - (1) **Raak de accupolen niet aan met enig geleidend materiaal.**

BESCHRIJVING VAN DE FUNCTIES

⚠ LET OP:

- Zorg ervoor dat het gereedschap is uitgeschakeld en dat de accu is verwijderd voordat u de werking van het gereedschap aanpast of controleert.

De accu aanbrengen en verwijderen (zie afb. 1)

⚠ LET OP:

- Schakel het gereedschap altijd uit voordat u de accu aanbrengt of verwijdt.

Om de accu te verwijderen verschuift u de knop aan de voorkant van de accu en schuift u tegelijkertijd de accu van het gereedschap af.

Om de accu aan te brengen lijnt u de lip op de accu uit met de groef in de behuizing en duwt u de accu op zijn plaats. Steek de accu zo ver mogelijk in het gereedschap tot u een klikgeluid hoort. Als u het rode deel aan de bovenkant van de knop kunt zien, is de accu niet goed aangebracht.

⚠ LET OP:

- Breng de accu altijd helemaal aan totdat het rode deel niet meer zichtbaar is. Als u dit niet doet, kan de accu per ongeluk uit het gereedschap vallen en u of anderen in uw omgeving verwonden.

- Oefen geen grote kracht uit bij het aanbrengen van de accu. Als de accu niet gemakkelijk erin kan worden geschoven, wordt deze niet goed aangebracht.

Accubeveiligingssysteem (lithiumionaccu met een ster-merkteken) (zie afb. 2)

Lithiumionaccu's met een ster-merkteken zijn uitgerust met een beveiligingssysteem. Dit systeem schakelt automatisch de voeding naar het gereedschap uit om de levensduur van de accu te verlengen.

Het gereedschap zal tijdens gebruik automatisch stoppen wanneer het gereedschap en/of de accu zich in een van de volgende omstandigheden bevinden:

- Overbelasting:
Het gereedschap wordt gebruikt op een manier die ertoe leidt dat een abnormaal hoge stroomsterkte uit de accu wordt getrokken.
Laat in die situatie de aan/uit-schakelaar van het gereedschap los en stop het gebruik dat ertoe leidde dat het gereedschap overbelast werd. Knijp daarna opnieuw de aan/uit-schakelaar in om het gereedschap weer in te schakelen.
Als het gereedschap niet wordt ingeschakeld, is de accu oververhit. In die situatie laat u de accu eerst afkoelen voordat u opnieuw de aan/uit-schakelaar inknijpt.
- Lage accuspanning:
De resterende acculading is te laag en het gereedschap wordt niet ingeschakeld. Verwijder in die situatie de accu en laad hem op.

In- en uitschakelen (zie afb. 3)

⚠ LET OP:

- Controleer altijd, voordat u de accu in het gereedschap steekt, of de aan/uit-schakelaar op de juiste manier schakelt en weer terugkeert naar de uit-stand nadat deze is losgelaten.

Om het gereedschap in te schakelen, knijpt u gewoon de aan/uit-schakelaar in. De draaisnelheid van het gereedschap neemt toe naarmate u meer druk uitoefent op de aan/uit-schakelaar. Laat de aan/uit-schakelaar los om het gereedschap te stoppen.

De lamp op de voorkant inschakelen (zie afb. 4)

⚠ LET OP:

- Kijk niet rechtstreeks in de lamp of naar de bron van het licht.

Knijp de aan/uit-schakelaar in om de lamp op de voorkant in te schakelen. De lamp blijft branden zolang u de aan/uit-schakelaar ingeknepen houdt. De lamp gaat 10 tot 15 seconden nadat u de aan/uit-schakelaar hebt losgelaten uit.

OPMERKING:

- Gebruik een doek om het vuil van de lens van de lamp te vegen. Wees voorzichtig de lens van de lamp niet te bekrassen om de lichtopbrengst niet te verlagen.

Werking van de omkeerschakelaar (zie afb. 5)

Dit gereedschap is uitgerust met een omkeerschakelaar waarmee u de draairichting kunt omkeren. Druk op de omkeerschakelaar vanaf kant A voor de draairichting rechtsom, of vanaf kant B voor de draairichting linksom. Wanneer de omkeerschakelaar in de middenstand staat, kunt u de aan/uit-schakelaar niet inknijpen.

⚠ LET OP:

- Controleer altijd de draairichting alvorens het gereedschap te gebruiken.
- Gebruik de omkeerschakelaar alleen nadat het gereedschap volledig tot stilstand is gekomen. Als u de draairichting verandert voordat het gereedschap volledig stilstaat, kan het gereedschap worden beschadigd.
- Als u het gereedschap niet gebruikt, zet u de omkeerschakelaar altijd in de middenstand.

De snelheid veranderen (zie afb. 6)


Om de draaisnelheid van het gereedschap te veranderen, schakelt u eerst het gereedschap uit en verschuift u daarna de snelheidsinstelknop naar stand "2" voor een hoge draaisnelheid, of naar stand "1" voor een lage draaisnelheid. Zorg ervoor dat de snelheidsinstelknop in de juiste stand staat alvorens het gereedschap te bedienen. Gebruik de juiste draaisnelheid voor uw klus.

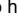
⚠ LET OP:

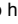
- Zet de snelheidsinstelknop altijd volledig in de gewenste stand. Als u het gereedschap bedient terwijl de snelheidsinstelknop halverwege de standen "1" en "2" staat, kan het gereedschap worden beschadigd.
- Bedien de snelheidsinstelknop niet terwijl het gereedschap draait. Het gereedschap kan hierdoor worden beschadigd.

De werksfunctie kiezen (zie afb. 7)

Dit gereedschap is uitgerust met een werksfunctie-keuzering. Kies met deze keuzering uit de drie beschikbare werksfuncties degene die het meest geschikt is voor uw klus.

Voor alleen ronddraaien, draait u de keuzering zodat de pijlpunt op het gereedschap op het symbool  op de ring staat.

Voor ronddraaien met slagwerking, draait u de keuzering zodat de pijlpunt op het gereedschap op het symbool  op de ring staat.

Voor ronddraaien met slipkoppeling, draait u de keuzering zodat de pijlpunt op het gereedschap op het symbool  op de ring staat.

⚠ LET OP:


- Stel de keuzering altijd in op het symbool van de juiste stand voor uw klus. Als u het gereedschap bedient met de keuzering ingesteld tussen twee symbolen in, kan het gereedschap worden beschadigd.

Het draaikoppel instellen

(schroevendraaierfunctie "Ⓜ") (zie afb. 8)

Het draaikoppel kan in 21 stappen worden ingesteld door de instelring te draaien zodat de gewenste stand op de

schaalverdeling is uitgelijnd met de aanwijspunt op de behuizing van het gereedschap.

Verschuif eerst de werkingsfunctie-instelknop naar de stand met het symbool .

Het draaikoppel is minimaal wanneer stand 1 is uitgelijnd met de aanwijspunt, en maximaal wanneer het symbool is uitgelijnd met de aanwijspunt. In de standen 1 t/m 21 zal de koppeling slippen bij steeds oplopende draaikoppelniveaus. Bepaal het juiste draaikoppelniveau door bij wijze van proef een schroef in het materiaal of een stuk gelijkwaardig materiaal te draaien, alvorens het gereedschap voor de daadwerkelijke klus te gebruiken.




OPMERKING:

- De instelring wordt niet vergrendeld wanneer de pijlpunt halverwege tussen twee standen staat.

Aanduiding van bijna lege accu (zie afb. 9)

Stop het gereedschap en druk met stilstaand gereedschap op de toets op het bedieningspaneel, waarna de resterende acculading wordt aangegeven op het bedieningspaneel.

De aangegeven toestand op het bedieningspaneel en de resterende acculading worden beschreven in de volgende tabel.

Toestand van LED-indicator	Resterende acculading
	Ongeveer 50% of meer
	Ongeveer 20% tot 50%
	Minder dan ongeveer 20%

012023

OPMERKING:

- Let erop dat het gereedschap stilstaat voordat u de resterende acculading controleert.

DE ONDERDELEN MONTEREN

LET OP:

- Controleer altijd of het gereedschap is uitgeschakeld en de accu is verwijderd alvorens enige werkzaamheden aan het gereedschap te verrichten.

De zijhandgreep monteren (extra handgreep) (zie afb. 10)

Gebruik altijd de zijhandgreep om veilig te kunnen werken.

Plaats de zijhandgreep zodanig over de loop van het gereedschap dat de uitsteeksels op de basis van de zijhandgreep en metalen klemband in de groeven van het gereedschap passen. Draai daarna de zijhandgreep vast door deze rechtsonder te draaien.

Wanneer u de zijhandgreep wilt draaien, draait u de handgreep los en verwijdert u hem. Vervolgens draait u

de handgreep naar de gewenste stand en plaatst u hem weer op het gereedschap.

Het schroefbit of boorbit aanbrengen en verwijderen (zie afb. 11)

Draai de mof linksom om de klauwen in de spankop te openen. Steek het bit zo ver mogelijk in de spankop.

Draai de mof rechtsonder om de spankop te sluiten. Om het bit te verwijderen, draait u de mof linksom.

De bithouder aanbrengen (zie afb. 12)

Pas de bithouder in de uitsteeksel op de linker- of rechterzijkant van de voet van het gereedschap en zet deze vast met een schroef.

Wanneer u een bit niet gebruikt, klemt u deze in de bithouder. U kunt hierin bits van 45 mm lengte bewaren.

Instelbare dieptegeleider (zie afb. 13)

De instelbare dieptegeleider wordt gebruikt om gaten te boren van dezelfde diepte. Draai de klemschroef los, stel de dieptegeleider in op de gewenste boordiepte en draai de klemschroef weer vast.

Haak (Zie afb. 14.)

De haak is handig om het gereedschap tijdelijk aan op te hangen. Deze kan aan beide kanten van het gereedschap worden bevestigd.


U bevestigt de haak door deze in een groef in de behuizing van het gereedschap te steken en vast te zetten met een schroef. Om de haak te verwijderen, draait u de schroef los en haalt u de haak van het gereedschap af.

BEDIENING (zie afb. 15)

Gebruik als boorhamer

LET OP:

- Op het moment dat het boorgat doorbreekt, het boorgat verstopt raakt met schilfertjes of metaaldeeltjes, of de boorhamer de bewapening in het beton raakt, wordt een enorme en plotselinge kracht uitgeoefend op het gereedschap/bit. Gebruik altijd de zijhandgreep (hulphandgreep) en houd het gereedschap tijdens gebruik stevig vast aan zowel de zijhandgreep als de hoofdhandgreep. Als u dit niet doet, kan u de controle over het gereedschap verliezen en mogelijk ernstig letsel veroorzaken.

Verschuif eerst de werkingsfunctie-instelknop naar de stand met het symbool . De instelring kan bij deze werkingsfunctie worden ingesteld op ieder draaikoppelniveau.

Zorg ervoor dat u een bit met een hardmetalen punt gebruikt.

Plaats de punt van de boor op de gewenste plaats waar het boorgat moet komen en knijp vervolgens de aan/uitschakelaar in. Forceer het gereedschap niet. Een lichte druk geeft de beste resultaten. Houd het gereedschap stevig vast en zorg dat het niet uitglijdt.


Oefen geen grotere druk uit wanneer het boorgat verstopt raakt met schilfertjes of metaaldeeltjes. Laat in zo'n geval het gereedschap langzaam lopen en verwijder de boor gedeeltelijk uit het boorgat. Wanneer dit verschillende

keren wordt herhaald, zal het boorgat schoon worden en kunt u normaal verder boren.

Blaasbalgje (los verkrijgbaar) (zie afb. 16)

Gebruik na het boren het blaasbalgje om het stof uit het boorgat te blazen.

Gebruik als schroevendraaier

Verschuif eerst de werkingsfunctie-instelknop naar de stand met het symbool . Stel de instelling in op het juiste draaikoppelniveau voor uw klus. Ga daarna als volgt te werk.

Plaats de punt van het schroefbit in de schroefkop en oefen druk uit op het gereedschap. Start het gereedschap op lage snelheid en voer vervolgens de snelheid geleidelijk op. Laat de aan/uit-schakelaar los zodra de koppeling begint te slippen.


OPMERKING:

- Zorg ervoor dat het schroefbit recht op de schroefkop staat omdat anders de schroef en/of het bit kunnen worden beschadigd.
- Bij het indraaien van houtschroeven, boort u eerst een gat voor met een diameter van tweederde van de schroefdikte. Hierdoor wordt het schroeven gemakkelijker en wordt voorkomen dat het werkstuk splijt.
- Als het gereedschap continu wordt bediend totdat de accu leeg is, laat u het gereedschap gedurende 15 minuten liggen alvorens verder te werken met een volle accu.

Gebruik als boormachine

LET OP:

- Het boren zal niet sneller verlopen als u hard op het gereedschap drukt. In feite zal dergelijk hard drukken alleen maar leiden tot beschadiging van de boor, verlaging van de prestaties van het gereedschap, en verkorting van de levensduur van het gereedschap.
- Op het moment dat het boorgat doorbreekt wordt een enorme kracht uitgeoefend op het gereedschap/bit. Houd het gereedschap stevig vast en let goed op wanneer de boor door het werkstuk breekt.
- Een vastgelopen boor kan eenvoudigweg worden verwijderd door de omkeerschakelaar in de stand voor achteruitdraaien te zetten en de boor achteruit uit het gat te laten draaien. Het gereedschap kan echter plotseling achteruit komen als u het niet stevig vasthoudt.
- Zet kleine werkstukken altijd vast in een bankschroef of soortgelijk bevestigingsmiddel.
- Als het gereedschap continu wordt bediend totdat de accu leeg is, laat u het gereedschap gedurende 15 minuten liggen alvorens verder te werken met een volle accu.

Verschuif eerst de werkingsfunctie-instelknop naar de stand met het symbool . De instelling kan bij deze werkingsfunctie worden ingesteld op ieder draaikoppelniveau. Ga daarna als volgt te werk.

Boren in hout

Bij het boren in hout krijgt u de beste resultaten met een houtboor die voorzien is van een geleideschroef. De

geleideschroef zorgt ervoor dat het boren gemakkelijker verloopt door het bit in het werkstuk te trekken.

Boren in metaal

Om te voorkomen dat bij het beginnen van het boren het bit wegglijdt, maakt u een putje met een centerpons en hamer op het punt waar u wilt boren. Plaats de punt van het bit in het putje en begin te boren.

Gebruik bij het boren in metaal een snijolie als smeermiddel. De uitzonderingen hierop zijn ijzer en messing, die droog moeten worden geboord.

ONDERHOUD

LET OP:

- Zorg er altijd voor dat het gereedschap is uitgeschakeld en de accu is verwijderd, voordat u een inspectie of onderhoud uitvoert.
- Gebruik nooit benzine, wasbenzine, thinner, alcohol, enz. Dit kan leiden tot verkleuren, vervormen of barsten.

De koolborstels vervangen (zie afb. 17)

Vervang deze wanneer ze tot aan de slijtgrensmarkering zijn afgesleten. Houd de koolborstels schoon en zorg ervoor dat ze vrij kunnen bewegen in de houders. Beide koolborstels dienen tegelijkertijd te worden vervangen. Gebruik alleen identieke koolborstels.

Verwijder met behulp van een schroevendraaier de twee schroeven en vervolgens de achterkap (**zie afb. 18**).

Til de arm van de veer op en plaats deze vervolgens in het verdiepte deel van de behuizing met behulp van een platkopschroevendraaier, een dunne steel, of iets dergelijks (**zie afb. 19**).

Verwijder de koolborstelkap van de koolborstels met behulp van een tang. Haal de versleten koolborstels eruit, plaats de nieuwe erin, en plaats de koolborstelkappen in omgekeerde volgorde terug (**zie afb. 20**).

Zorg ervoor dat iedere koolborstelkap goed in de opening in de koolborstelhouder valt (**zie afb. 21**).

Plaats de achterkap terug en draai de twee schroeven stevig aan.

Om de VEILIGHEID en BETROUWBAARHEID van het gereedschap te handhaven, dienen alle reparaties, onderhoud en afstellingen te worden uitgevoerd door een erkend Makita-servicecentrum, en altijd met gebruikmaking van originele Makita-vervangingsonderdelen.

VERKRIJGBARE ACCESSOIRES

LET OP:

- Deze accessoires of hulpstukken worden aanbevolen voor gebruik met het Makita-gereedschap dat in deze gebruiksaanwijzing wordt beschreven. Het gebruik van andere accessoires of hulpstukken kan gevaar voor persoonlijk letsel opleveren. Gebruik de accessoires of hulpstukken uitsluitend voor de aangegeven gebruiksdoeleinden.

Mocht u meer informatie willen hebben over deze accessoires, dan kunt u contact opnemen met uw plaatselijke Makita-servicecentrum.

- Boorbits
- Boorhamerbits
- Schroefbits

- Blaasbalgje
- Veiligheidsbril
- Originele Makita accu en lader
- Zijhandgreep, compleet
- Dieptegeleider
- Haak
- Rubberen accessoire
- Wollen accessoire
- Schuimrubberen polijstaccessoire
- Accubeschermer

gedurende welke het gereedschap is uitgeschakeld en stationair draait, naast de ingeschakelde tijdsduur).

Alleen voor Europese landen ENH101-15

EU-verklaring van conformiteit
Wij, Makita Corporation, als de verantwoordelijke fabrikant, verklaren dat de volgende Makita-machine(s):

Aanduiding van de machine:
 Accuschroef-boorhamermachine
 Modelnr./Type: DHP448 en DHP458

in serie zijn geproduceerd en

Voldoen aan de volgende Europese richtlijnen:
 2006/42/EC

En zijn gefabriceerd in overeenstemming met de volgende normen of genormaliseerde documenten:
 EN60745

De technische documentatie wordt bewaard door onze erkende vertegenwoordiger in Europa, te weten:
 Makita International Europe Ltd.
 Michigan Drive, Tongwell,
 Milton Keynes, Bucks MK15 8JD, Engeland

OPMERKING:

- Sommige items op de lijst kunnen zijn inbegrepen in de doos van het gereedschap als standaard toebehoren. Zij kunnen van land tot land verschillen.

Geluid ENG905-1

De typische, A-gewogen geluidsniveaus zijn gemeten volgens EN60745:

Model DHP448

Geluidsdrukniveau (L_{pA}): 82 dB (A)
 Geluidsvermogeniveau (L_{WA}): 93 dB (A)
 Onzekerheid (K): 3 dB (A)

Model DHP458

Geluidsdrukniveau (L_{pA}): 84 dB (A)
 Geluidsvermogeniveau (L_{WA}): 95 dB (A)
 Onzekerheid (K): 3 dB (A)

Draag gehoorbescherming.

10. 8. 2011



Tomoyasu Kato
 Directeur

Makita Corporation
 3-11-8, Sumiyoshi-cho,
 Anjo, Aichi, 446-8502 JAPAN

Trillingen ENG900-1

De totale trillingswaarde (triaxiale vectorsom) zoals vastgesteld volgens EN60745:

Model DHP448

Gebruikstoepassing: slagboren in beton
 Trillingsemmissie ($a_{h, ID}$): 8,5 m/s²
 Onzekerheid (K): 1,5 m/s²

Gebruikstoepassing: boren in metaal
 Trillingsemmissie ($a_{h, D}$): 2,5 m/s² of minder
 Onzekerheid (K): 1,5 m/s²

Model DHP458

Gebruikstoepassing: slagboren in beton
 Trillingsemmissie ($a_{h, ID}$): 9,5 m/s²
 Onzekerheid (K): 1,5 m/s²

Gebruikstoepassing: boren in metaal
 Trillingsemmissie ($a_{h, D}$): 2,5 m/s² of minder
 Onzekerheid (K): 1,5 m/s²

ENG901-1

- De opgegeven trillingsemmissiewaarde is gemeten volgens de standaardtestmethode en kan worden gebruikt om dit gereedschap te vergelijken met andere gereedschappen.
- De opgegeven trillingsemmissiewaarde kan ook worden gebruikt voor een beoordeling vooraf van de blootstelling.

⚠ WAARSCHUWING:

- De trillingsemmissie tijdens het gebruik van het elektrisch gereedschap in de praktijk kan verschillen van de opgegeven trillingsemmissiewaarde afhankelijk van de manier waarop het gereedschap wordt gebruikt.
- Zorg ervoor dat veiligheidsmaatregelen worden getroffen ter bescherming van de operator die zijn gebaseerd op een schatting van de blootstelling onder praktijkomstandigheden (rekening houdend met alle fasen van de bedrijfscyclus, zoals de tijdsduur

ESPAÑOL (Instrucciones originales)

Explicación de los dibujos

- | | | |
|---|----------------------------|------------------------------|
| 1. Indicador rojo | 11. Anilla de ajuste | 23. Tornillo de apriete |
| 2. Botón | 12. Graduación | 24. Gancho |
| 3. Cartucho de la batería | 13. Indicador LED | 25. Tornillo |
| 4. Marca de estrella | 14. Ranura | 26. Bulbo de extracción |
| 5. Interruptor disparador | 15. Saliente | 27. Marca de límite |
| 6. Lámpara | 16. Banda de acero | 28. Cubierta trasera |
| 7. Palanca del interruptor de inversión | 17. Base de la empuñadura | 29. Tornillos |
| 8. Palanca de cambio de velocidad | 18. Empuñadura lateral | 30. Brazo |
| 9. Anilla para el cambio del modo de acción | 19. Camisa | 31. Muelle |
| 10. Flecha | 20. Portabarrenas | 32. Parte cóncava |
| | 21. Punta | 33. Tapa del portaescobillas |
| | 22. Varilla de profundidad | 34. Orificio |

ESPECIFICACIONES

Modelo	DHP448	DHP458	
Capacidades	Taladrado en hormigón	14 mm	16 mm
	Taladrado en metal	13 mm	13 mm
	Taladrado en madera	65 mm	76 mm
	Atornillamiento de tornillos para madera	8 mm x 75 mm	10 mm x 90 mm
	Atornillamiento de tornillos para metales	6 mm	
Velocidad en vacío	Alta (2)	0 - 1.800 min ⁻¹	0 - 2.000 min ⁻¹
	Baja (1)	0 - 350 min ⁻¹	0 - 400 min ⁻¹
Golpes por minuto	Alta (2)	0 - 27.000 min ⁻¹	0 - 30.000 min ⁻¹
	Baja (1)	0 - 5.200 min ⁻¹	0 - 6.000 min ⁻¹
Longitud total	225 mm		
Peso neto	2,2 kg	2,3 kg	
Tensión nominal	CC 14,4 V	CC 18 V	

- Debido a nuestro programa continuo de investigación y desarrollo, las especificaciones aquí descritas están sujetas a cambios sin previo aviso.
- Las especificaciones y el cartucho de la batería pueden variar de un país a otro.
- Peso, con el cartucho de la batería, de acuerdo con el procedimiento EPTA 01/2003

Uso previsto

ENE079-1

La herramienta se ha diseñado para taladrar con percusión ladrillo, hormigón y piedra. También es apropiada para atornillar y taladrar sin percusión en madera, metal, cerámica y plástico.

Advertencias de seguridad generales para herramientas eléctricas

GEA010-1

⚠ ADVERTENCIA Lea todas las advertencias de seguridad y todas las instrucciones. La no observancia de las advertencias y las instrucciones puede provocar descargas eléctricas, incendios y/o lesiones graves.

Guarde todas las advertencias e instrucciones para futuras consultas.

ADVERTENCIAS DE SEGURIDAD DEL ROTOMARTILLO ATORNILLADOR INALÁMBRICO

GEB056-4

1. **Durante la perforación con percusión, utilice protectores para los oídos.** La exposición al ruido puede producir pérdida auditiva.
2. **Utilice las empuñaduras auxiliares proporcionadas con la herramienta.** La pérdida de control puede ocasionar daños corporales.
3. **Sujete la herramienta por las superficies de agarre aisladas al realizar una operación en que el accesorio de corte pueda entrar en contacto con cables ocultos.** Si entra en contacto con un cable con corriente, puede que las piezas metálicas expuestas de la herramienta eléctrica se carguen también de corriente y que el operario reciba una descarga.
4. **Sujete la herramienta por las superficies de agarre aisladas al realizar una operación en que la herramienta pueda entrar en contacto con cables**

ocultos. Si entra en contacto con un cable con corriente, puede que las piezas metálicas expuestas de la herramienta eléctrica se carguen también de corriente y que el operario reciba una descarga.

5. **Colóquese siempre en una posición bien equilibrada.**
Si utiliza la herramienta en una ubicación elevada, asegúrese de que nadie se encuentre debajo.
6. **Sujete con fuerza la herramienta.**
7. **Mantenga las manos alejadas de las partes giratorias.**
8. **No deje la herramienta encendida.** Póngala en marcha solamente cuando la tenga en las manos.
9. **No toque la punta ni la pieza de trabajo inmediatamente después de la tarea, ya que pueden estar extremadamente calientes y producir quemaduras en la piel.**
10. **Algunos materiales contienen sustancias químicas que pueden ser tóxicas.** Procure evitar la inhalación de polvo y el contacto con la piel. Siga los datos de seguridad del proveedor del material.

GUARDE ESTAS INSTRUCCIONES.

ADVERTENCIA:

NO deje que la comodidad o la familiaridad con el producto (a base de utilizarlo repetidamente) sustituya la estricta observancia de las normas de seguridad del producto en cuestión. El **MAL USO** o la no observancia de las normas de seguridad expuestas en este manual de instrucciones pueden ocasionar graves daños corporales.

INSTRUCCIONES DE SEGURIDAD IMPORTANTES

ENC007-7

PARA EL CARTUCHO DE LA BATERÍA

1. **Antes de utilizar el cartucho de la batería, lea todas las instrucciones y referencias de precaución que se encuentran en (1) el cargador de baterías, (2) la batería y (3) el producto que utiliza la batería.**
2. **No desmonte el cartucho de la batería.**
3. **Si el tiempo de funcionamiento es excesivamente corto, deje de utilizar la herramienta de inmediato. De lo contrario, existe el riesgo de sobrecalentamiento, quemaduras e incluso explosión.**
4. **Si se produce contacto ocular con electrolito, enjuáguese los ojos con agua limpia y acuda de urgencia al médico. Corre el riesgo de perder la visión.**
5. **No cortocircuite el cartucho de la batería:**
 - (1) **No toque los terminales con material conductor.**
 - (2) **Evite guardar el cartucho de la batería en un recipiente con otros objetos metálicos, como clavos, monedas, etc.**
 - (3) **No esponga el cartucho de la batería al agua o a la lluvia.**

Un cortocircuito puede provocar un elevado flujo de corriente, sobrecalentamiento, quemaduras o incluso una avería.

6. **No almacene la herramienta ni el cartucho de la batería en lugares donde la temperatura supere los 50°C (122°F).**
7. **No queme el cartucho de la batería aunque esté gravemente dañado o completamente gastado. El cartucho de la batería puede explotar si entra en contacto con fuego.**
8. **Procure que la batería no sufra golpes ni caídas.**
9. **No utilice una batería dañada.**

GUARDE ESTAS INSTRUCCIONES.

Consejos para conseguir una mayor duración de la batería

1. **Cargue la batería antes de que se descargue por completo.**
Cuando observe que la herramienta tiene menos potencia, deje de utilizarla y cargue el cartucho de la batería.
2. **No recargue nunca un cartucho de batería completamente cargado.**
La sobrecarga acorta la vida útil de la batería.
3. **Cargue el cartucho de la batería a una temperatura ambiente que oscile entre 10°C y 40°C (50°F - 104°F).** Antes de cargar un cartucho de batería caliente, deje que se enfríe.
4. **Cargue la batería una vez cada seis meses si no la utiliza durante un período de tiempo prolongado.**

DESCRIPCIÓN DEL FUNCIONAMIENTO

PRECAUCIÓN:

- Antes de ajustar o de comprobar la herramienta, asegúrese siempre de que está apagada y de que la batería ha sido extraída.

Instalación o extracción del cartucho de la batería (Fig. 1)

PRECAUCIÓN:

- Apague siempre la herramienta antes de instalar o extraer el cartucho de la batería.

Para quitar el cartucho de la batería, mantenga pulsado el botón de la parte frontal del cartucho y retírelo.

Para instalar el cartucho de la batería, alinee la lengüeta situada en el cartucho de la batería con la ranura del alojamiento e insértela. Insértela completamente hasta que quede firmemente sujeta y se bloquee con un clic. Si puede ver el indicador rojo de la zona superior del botón, significa que el cartucho no está completamente bloqueado.

PRECAUCIÓN:

- Instale siempre el cartucho de la batería completamente hasta que el indicador rojo quede oculto. De lo contrario, el cartucho puede desprenderse accidentalmente de la herramienta y

causar lesiones al operario o a alguna persona que se encuentre cerca.

- No haga fuerza al instalar el cartucho de la batería. Si no se inserta suavemente, significa que no lo está instalando correctamente.

Sistema de protección de la batería (batería de iones de litio con una marca de estrella) (Fig. 2)

Las baterías de iones de litio con una marca de estrella están equipadas con un sistema de protección. Este sistema corta automáticamente la alimentación a la herramienta para ampliar la duración de la batería.

La herramienta se detendrá automáticamente durante el funcionamiento si la herramienta y/o la batería se someten a los siguientes estados:

- Sobrecarga:
 - La herramienta se utiliza de una forma que hace que consuma una cantidad anómalamente alta de corriente.
 - En ese caso, suelte el interruptor disparador de la herramienta y detenga la aplicación que provocaba que la herramienta se sobrecargara. A continuación vuelva a accionar el interruptor disparador para reanudar las operaciones.
 - Si la herramienta no se pone en marcha, la batería se sobrecalienta. En ese caso, deje que la batería se enfríe antes de volver a accionar el interruptor disparador.
- Tensión de la batería baja:
 - La capacidad restante de la batería es demasiado baja y la herramienta no funcionará. En ese caso, extraiga y recargue la batería.

Accionamiento del interruptor (Fig. 3)

⚠ PRECAUCIÓN:

- Antes de insertar el cartucho de la batería en la herramienta, asegúrese siempre de que el interruptor disparador funciona como es debido y que vuelve a la posición "OFF" (apagado) al soltarlo.

Para poner en marcha la herramienta, simplemente accione el interruptor disparador. La velocidad de la herramienta aumenta al incrementar la presión sobre el interruptor disparador. Suelte el interruptor disparador para detener la herramienta.

Encendido de la luz frontal (Fig. 4)

⚠ PRECAUCIÓN:

- No mire hacia la luz ni mire directamente hacia la fuente de luz.

Tire del interruptor disparador para encender la luz. La luz permanece encendida mientras se acciona el interruptor disparador. La luz se apaga entre 10 y 15 segundos después de soltar el disparador.

NOTA:

- Utilice un paño seco para limpiar la suciedad del cristal de la lámpara. Procure no rayar el cristal de la lámpara, puesto que puede disminuir el grado de iluminación.

Funcionamiento del interruptor de inversión (Fig. 5)

Esta herramienta está provista de un interruptor de inversión para cambiar la dirección de giro. Apriete la palanca del interruptor de inversión por el lado A para obtener un giro a la derecha o por el lado B para girar a la izquierda.

Cuando la palanca del interruptor de inversión está en la posición neutral, el interruptor disparador no se puede accionar.

⚠ PRECAUCIÓN:

- Antes de trabajar, compruebe siempre la dirección del giro.
- Utilice el interruptor de inversión sólo cuando la herramienta se haya detenido por completo, ya que, de lo contrario, la herramienta podría averiarse.
- Cuando no utilice la herramienta, coloque siempre la palanca del interruptor de inversión en la posición neutral.

Cambio de velocidad (Fig. 6)

Para cambiar la velocidad, apague primero la herramienta y después deslice la palanca de cambio de velocidad hacia el lado "2" para seleccionar la velocidad rápida o hacia el lado "1" para seleccionar la velocidad lenta.

Antes de trabajar, compruebe que la palanca de cambio de velocidad se encuentre en la posición pertinente.


Seleccione la velocidad adecuada en función de la tarea que deba realizar.


⚠ PRECAUCIÓN:

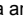
- Coloque siempre la palanca de cambio de velocidad completamente en la posición pertinente. Si utiliza la herramienta cuando la palanca de cambio de velocidad se encuentra a medio camino entre el lado "1" y el lado "2", la herramienta puede averiarse.
- No utilice la palanca de cambio de velocidad mientras la herramienta está en funcionamiento, ya que, de lo contrario, la herramienta podría averiarse.

Selección del modo de acción (Fig. 7)

Esta herramienta utiliza una anilla para cambiar el modo de acción. Con la ayuda de esta anilla, seleccione uno de los tres modos disponibles según sus necesidades.

Para girar solamente, mueva la anilla de manera que la flecha en el cuerpo de la herramienta apunte hacia la marca  situada en la anilla.

Para girar con percusión, mueva la anilla de modo que la flecha apunte hacia la marca  situada en la anilla.


Para girar con acoplamiento, mueva la anilla de modo que la flecha apunte hacia la marca  situada en la anilla.

⚠ PRECAUCIÓN:

- Ajuste siempre la anilla correctamente en la marca del modo que desee. Si utiliza la herramienta con la anilla en una posición entre alguna de las marcas de modo, la herramienta podría averiarse.

Ajuste del par de apriete (modo de destornillador "") (Fig. 8)

El par de apriete puede ajustarse en 21 pasos girando la anilla de ajuste de modo que sus graduaciones queden alineadas con el puntero del cuerpo de la herramienta.

Primero deslice la palanca de cambio del modo de acción a la posición del símbolo .

El par de apriete es mínimo cuando el número 1 está alineado con el puntero y máximo cuando la marca está alineada con el puntero. El embrague resbala en diferentes niveles de par de apriete cuando se establece entre los números 1 y 21. Antes del uso real, atornille un tornillo de prueba en su material o en un material duplicado para determinar el nivel de par de apriete necesario para una aplicación específica.




NOTA:

- La anilla de ajuste no se bloquea cuando el puntero se coloca sólo entre las graduaciones.

Señal de capacidad agotada de la batería (Fig. 9)

Detenga la herramienta y, mientras esté detenida, pulse el botón del panel del interruptor y se mostrará la capacidad restante de la batería en el panel.

El estado que se muestra en el panel del interruptor y la capacidad restante de la batería se muestran en la siguiente tabla.

Estado del indicador LED	Capacidad restante de la batería
	Un 50 % o más
	Entre un 20 % y un 50 %
	Aproximadamente menos del 20 %

012023

NOTA:

- Antes de comprobar la capacidad restante de la batería, asegúrese de detener la herramienta.

MONTAJE

PRECAUCIÓN:

- Asegúrese siempre de apagar la herramienta y extraer el cartucho de la batería antes de intentar realizar cualquier tipo de operación en la herramienta.

Instalación de la empuñadura lateral (mango auxiliar) (Fig. 10)

Utilice siempre la empuñadura lateral para garantizar un uso seguro.

Inserte la empuñadura lateral de forma que los salientes de la base de la empuñadura y la banda de acero encajen entre los canales de guía del portaherramientas. A continuación, apriete la empuñadura girándola en el sentido de las agujas del reloj.

Cuando gire la empuñadura lateral, afloje y retire la empuñadura, gírela y vuelva a insertarla.

Instalación o extracción de la punta del destornillador o de la broca de taladrado (Fig. 11)

Gire la camisa a la izquierda para abrir las mordazas del mandril. Inserte completamente la broca en el mandril. Gire la camisa a la derecha para apretar el mandril. Para extraer la broca, gire la camisa a la izquierda.

Instalación del portabarrenas (Fig. 12)

Encaje el portabarrenas en el saliente del pie de la herramienta en el lado izquierdo o derecho y fíjelo con un tornillo.

Cuando no utilice la punta del destornillador, guárdela en el portabarrenas. Se pueden guardar brocas de hasta 45 mm.

Varilla de profundidad ajustable (Fig. 13)

La varilla de profundidad ajustable se utiliza para realizar agujeros de profundidad uniforme. Afloje el tornillo de apriete, fíjelo en la posición deseada y, a continuación, apriételo.

Gancho (Fig. 14)

El gancho es útil para colgar la herramienta. Puede instalarse en cualquier lado de la herramienta.


Para instalar el gancho, insértelo en una de las ranuras situadas a ambos lados de la herramienta y, a continuación, fíjelo con un tornillo. Para extraerlo, afloje el tornillo y quítelo.

MANEJO (Fig. 15)

Función de taladrado con percusión

PRECAUCIÓN:

- En determinadas situaciones, como, por ejemplo, al practicar un agujero, cuando el orificio se tapona con restos y partículas de materiales o cuando se golpean las varas de refuerzo dentro del hormigón, se ejerce una enorme y súbita fuerza de torsión sobre la herramienta y la broca. Utilice siempre la empuñadura lateral (mango auxiliar) y sujete firmemente la herramienta por la empuñadura lateral y por el mango del interruptor durante las operaciones. De lo contrario, puede perder el control de la herramienta y sufrir heridas graves.

En primer lugar, deslice la palanca de cambio del modo de acción para que apunte a la marca . Para esta operación, la anilla de ajuste puede alinearse con cualquier nivel de apriete.

Asegúrese de utilizar una broca con punta de carburo de tungsteno.

Coloque la broca en el lugar donde desee practicar el orificio y, a continuación, presione el interruptor disparador. No fuerce la herramienta. Los mejores resultados se obtienen cuando se ejerce una presión suave. Mantenga la herramienta en posición y evite que se desplace fuera del orificio.


No ejerza más presión cuando el orificio se obstruya con restos o partículas de materiales. Haga funcionar la herramienta al ralentí y, a continuación, extraiga la broca parcialmente del orificio. Repita esta operación varias

veces hasta que el orificio se limpie y pueda reanudar el taladrado.

Bulbo de extracción (accesorio opcional) (Fig. 16)

Tras taladrar el orificio, utilice el bulbo de extracción para quitar el polvo y los restos de materiales del orificio.

Función de atornillamiento

En primer lugar, deslice la palanca de cambio del modo de acción para que apunte a la marca . Fije la anilla de ajuste en el par de apriete adecuado para la tarea que deba realizar. A continuación, siga estas indicaciones. Coloque la punta del destornillador en la cabeza del tornillo y ejerza presión sobre la herramienta. Ponga en funcionamiento la herramienta lentamente y, a continuación, aumente la velocidad progresivamente. Suelte el interruptor disparador en cuanto se active el embrague.


NOTA:

- Asegúrese de insertar la punta del destornillador en la cabeza del tornillo de forma recta, ya que, de lo contrario, el tornillo y/o la punta podrían sufrir daños.
- Cuando atomille tornillos para madera, taladre previamente un orificio piloto de 2/3 del diámetro del tornillo. Esto facilita la operación y evita que se rompa la pieza de trabajo.
- Si la herramienta se utiliza continuamente hasta que el cartucho de la batería se descarga, deje reposar la herramienta durante 15 minutos antes de continuar con una batería cargada.

Operación de taladrado

⚠ PRECAUCIÓN:

- Apretar la herramienta en exceso no acelerará el taladrado. De hecho, esta presión excesiva sólo servirá para dañar la punta de la broca, reducir el rendimiento de la herramienta y acortar su vida útil.
- En el momento de realizar el orificio, se ejerce una presión enorme sobre la herramienta y la broca. Sujete firmemente la herramienta y tenga mucho cuidado cuando la broca empieza a taladrar el material.
- Para sacar una broca atascada, sólo tiene que ajustar el interruptor de inversión en el giro inverso. Sin embargo, la herramienta puede retroceder bruscamente si no la sujeta con fuerza.
- Sujete siempre las piezas de trabajo pequeñas en una prensa de tornillo o un dispositivo de sujeción similar.
- Si la herramienta se utiliza continuamente hasta que el cartucho de la batería se descarga, deje reposar la herramienta durante 15 minutos antes de continuar con una batería cargada.

En primer lugar, deslice la palanca de cambio del modo de acción para que apunte a la marca . Para esta operación, la anilla de ajuste puede alinearse con cualquier nivel de apriete. A continuación, siga estas indicaciones.

Taladrado en madera

Los mejores resultados al realizar un taladrado en madera se obtienen con las brocas para madera equipadas con un tornillo guía, ya que facilita el taladrado, puesto que inserta la broca en la pieza de trabajo.

Taladrado en metal

Para evitar que la broca resbale al empezar el taladrado, realice una mella con un punzón para marcas y un martillo en el punto exacto del taladrado. Sitúe la broca en la mella y empiece a taladrar.

Utilice un lubricante para cortes cuando taladre metales. Las excepciones son el hierro y el bronce, ya que deben taladrarse en seco.

MANTENIMIENTO

⚠ PRECAUCIÓN:

- Asegúrese de apagar siempre la herramienta y extraer el cartucho de la batería antes de intentar realizar cualquier trabajo de inspección o mantenimiento en ella.
- Nunca utilice gasolina, benceno, disolvente, alcohol o un producto similar. Se puede provocar una decoloración, una deformación o grietas.

Reemplazo de las escobillas de carbón (Fig. 17)

Cámbielas cuando el desgaste alcance la marca de límite. Mantenga las escobillas de carbón limpias y de forma que entren libremente en el portaescobillas. Ambas escobillas de carbón deberán ser sustituidas al mismo tiempo. Utilice únicamente escobillas de carbón idénticas. Utilice un destornillador para extraer los dos tornillos y, a continuación, quite la cubierta trasera. (Fig. 18) Levante el brazo del muelle y colóquelo en la parte cóncava del alojamiento con la ayuda de un destornillador fino para tornillos de cabeza ranurada o una herramienta similar. (Fig. 19)

Utilice unos alicates para extraer las tapas de los portaescobillas. Saque las escobillas de carbón desgastadas, inserte las nuevas y vuelva a colocar las tapas de los portaescobillas al revés. (Fig. 20) Asegúrese de que las tapas de los portaescobillas queden perfectamente ajustadas en los orificios de los portaescobillas. (Fig. 21)

Vuelva a instalar la cubierta trasera y apriete los dos tornillos firmemente.

Para mantener la SEGURIDAD y la FIABILIDAD del producto, las reparaciones y cualquier otra tarea de mantenimiento o ajuste deberán ser realizadas en centros de servicio autorizados por Makita, utilizando siempre repuestos Makita.

ACCESORIOS OPCIONALES

⚠ PRECAUCIÓN:

- Se recomienda el uso de estos accesorios o complementos con la herramienta Makita especificada en este manual. El uso de otros accesorios o complementos puede conllevar el riesgo de ocasionar daños corporales. Utilice los accesorios o complementos solamente para su fin establecido.

Si necesita cualquier ayuda para obtener más información relativa a estos accesorios, pregunte a su centro de servicio Makita local.

- Brocas de taladro
- Brocas de taladrado con percusión
- Puntas de destornillador
- Bulbo de extracción

- Gafas de seguridad
- Batería y cargador originales de Makita
- Conjunto de la empuñadura
- Varilla de profundidad
- Gancho
- Conjunto de almohadillas de goma
- Capucha de lana
- Almohadilla para pulido de espuma
- Protector de la batería

NOTA:

- Algunos elementos de la lista se pueden incluir en el paquete de la herramienta como accesorios estándar. Pueden ser diferentes de un país a otro.

Ruido

ENG905-1

Niveles típicos de ruido ponderado A determinados conforme a EN60745:

Modelo DHP448

Nivel de presión de sonido (L_{pA}): 82 dB (A)
 Nivel de potencia de sonido (L_{WA}): 93 dB (A)
 Incertidumbre (K): 3 dB (A)

Modelo DHP458

Nivel de presión de sonido (L_{pA}): 84 dB (A)
 Nivel de potencia de sonido (L_{WA}): 95 dB (A)
 Incertidumbre (K): 3 dB (A)

Utilice protección para los oídos.**Vibración**

ENG900-1

Valor total de la vibración (suma de vectores triaxiales) determinado según el estándar EN60745:

Modelo DHP448

Modo de trabajo: taladrado de impacto en hormigón
 Emisión de vibraciones ($a_{h, ID}$): 8,5 m/s²
 Incertidumbre (K): 1,5 m/s²

Modo de trabajo: taladrado en metal
 Emisión de vibraciones ($a_{h, D}$): 2,5 m/s² o menos
 Incertidumbre (K): 1,5 m/s²

Modelo DHP458

Modo de trabajo: taladrado de impacto en hormigón
 Emisión de vibraciones ($a_{h, ID}$): 9,5 m/s²
 Incertidumbre (K): 1,5 m/s²

Modo de trabajo: taladrado en metal
 Emisión de vibraciones ($a_{h, D}$): 2,5 m/s² o menos
 Incertidumbre (K): 1,5 m/s²

ENG901-1

- El valor de emisión de vibraciones se ha medido de acuerdo con el método de prueba estándar y se puede utilizar para comparar herramientas.
- El valor de emisión de vibraciones declarado también se puede usar en una evaluación preliminar de la exposición.

⚠ ADVERTENCIA:

- La emisión de vibraciones durante el uso de la herramienta eléctrica puede diferir del valor de emisiones declarado, dependiendo de las formas en que se utiliza la herramienta.
- Asegúrese de identificar las mediciones correctas para proteger al operario, que se basan en una estimación de la exposición en condiciones de uso reales (teniendo en cuenta todas las partes del ciclo de operaciones, como los momentos en los que la herramienta está apagada y cuando funciona al ralentí además del tiempo en que está activado el interruptor).

Sólo para países europeos

Declaración de conformidad de la CE
Nosotros, Makita Corporation, en calidad de fabricante responsable, declaramos que las siguientes máquinas Makita:

Designación de la máquina:

Rotomartillo Atornillador Inalámbrico

Nº de modelo/ Tipo: DHP448, DHP458

son de producción serie y

Cumplen con las siguientes Directivas europeas:

2006/42/CE

Y se han fabricado de acuerdo con los siguientes estándares o documentos estandarizados:

EN60745

La documentación técnica la conserva nuestro representante autorizado en Europa, que es:

Makita International Europe Ltd.

Michigan Drive, Tongwell,

Milton Keynes, Bucks MK15 8JD, Inglaterra

10. 8. 2011



Tomoyasu Kato
 Director

Makita Corporation
 3-11-8, Sumiyoshi-cho,
 Anjo, Aichi, 446-8502, JAPAN

PORTUGUÊS (Instruções de origem)

Descrição geral

1. Indicador vermelho	11. Anel de ajuste	23. Parafuso de fixação
2. Botão	12. Graduação	24. Gancho
3. Bateria	13. Indicador LED	25. Parafuso
4. Marca de estrela	14. Encaixe	26. Fole
5. Gatilho	15. Saliência	27. Marca limite
6. Lâmpada	16. Banda metálica	28. Tampa posterior
7. Manípulo de mudança de rotação	17. Pega da base	29. Parafusos
8. Manípulo de mudança de velocidade	18. Pega lateral	30. Braço
9. Anel de mudança de modo de funcionamento	19. Manga	31. Mola
10. Seta	20. Porta-brocas	32. Interior
	21. Broca	33. Tampa da escova de carvão
	22. Haste de profundidade	34. Orifício

ESPECIFICAÇÕES


Modelo	DHP448	DHP458	
Capacidades	Perfuração em cimento	14 mm	16 mm
	Perfuração em aço	13 mm	13 mm
	Perfuração em madeira	65 mm	76 mm
	Apertar parafuso para madeira	8 mm x 75 mm	10 mm x 90 mm
	Apertar parafuso de montagem	6 mm	
Velocidade sem carga	Alto (2)	0 - 1.800 min ⁻¹	0 - 2.000 min ⁻¹
	Baixo (1)	0 - 350 min ⁻¹	0 - 400 min ⁻¹
Sopros por minuto	Alto (2)	0 - 27.000 min ⁻¹	0 - 30.000 min ⁻¹
	Baixo (1)	0 - 5.200 min ⁻¹	0 - 6.000 min ⁻¹
Comprimento total	225 mm		
Peso líquido	2,2 kg	2,3 kg	
Tensão nominal	C.C. 14,4 V	C.C. 18 V	

- Devido à pesquisa e desenvolvimento constantes, estas especificações estão sujeitas a alteração sem aviso prévio.
- As especificações e o cartucho da bateria podem ser diferentes consoante o país.
- Peso, com a bateria, de acordo com o procedimento EPTA de 01/2003

Utilização prevista ENE079-1

A ferramenta destina-se a realizar perfuração com percussão em tijolo, betão e pedra. É também adequada para aparafusar e perfurar sem percussão em madeira, metal, cerâmica e plástico.

Avisos gerais de segurança para ferramentas eléctricas GEA010-1

 **AVISO** Leia todos os avisos de segurança e todas as instruções. O não cumprimento dos avisos e instruções pode resultar na ocorrência de choques eléctricos, incêndios e/ou ferimentos graves.

Guarde todos os avisos e instruções para referência futura.

AVISOS DE SEGURANÇA PARA A FURADEIRA DE IMPACTO/ PARAFUSADEIRA A BATERIA

GEB056-4

1. **Use protecções para os ouvidos quando efectuar perfurações por percussão.** A exposição ao ruído pode provocar a perda de audição.
2. **Utilize a(s) pega(s) auxiliar(es) fornecida(s) com a ferramenta.** A perda de controlo pode provocar ferimentos pessoais.
3. **Quando executar operações em que a máquina de corte possa entrar em contacto com fios eléctricos ocultos, tenha o cuidado de tocar apenas nas superfícies isoladas da máquina.** O acessório de corte em contacto com um fio eléctrico ligado à corrente pode electrificar as peças de metal da ferramenta e provocar um choque eléctrico no operador.
4. **Segure na ferramenta eléctrica pelas superfícies de aderência isoladas quando efectuar uma operação em que possa entrar em contacto com cablagens não visíveis.** Se a aparafusadora entrar em contacto com um cabo sob tensão, as partes

metálicas expostas da ferramenta eléctrica podem ficar igualmente sob tensão, podendo provocar um choque eléctrico no operador.

5. Procure uma posição em pé estável e firme. Se utilizar a ferramenta em locais altos, verifique se não há ninguém por baixo.
6. Segure bem na ferramenta.
7. Afaste as mãos das peças em movimento.
8. Não abandone a ferramenta a funcionar. Ponha-a a funcionar apenas quando estiver a segurá-la.
9. Não toque numa broca ou no material em que tiver estado a trabalhar logo após a operação porque podem estar demasiado quentes.
10. Alguns materiais contêm químicos que podem ser tóxicos. Tenha cuidado para evitar a inalação e o contacto da pele com o pó produzido. Obedeça às instruções de segurança do fornecedor do material.

GUARDE ESTAS INSTRUÇÕES.

⚠ AVISO:

NÃO deixe que o conforto ou familiaridade com o produto (obtida de uma utilização regular) substituam um cumprimento severo das regras de segurança do produto em causa. Uma UTILIZAÇÃO INCORRECTA ou não cumprimento das regras de segurança indicadas neste manual de instruções podem provocar ferimentos pessoais sérios.

INSTRUÇÕES DE SEGURANÇA IMPORTANTES

ENC007-7

RELATIVAS À BATERIA

1. Antes de utilizar a bateria, leia as instruções e chamadas de atenção de: (1) o carregador da bateria, (2) a bateria e (3) o produto que utiliza a bateria.
2. Não desmonte a bateria.
3. Se o tempo de utilização com a bateria se tornar demasiado curto, deve parar imediatamente. Se continuar, pode causar sobreaquecimento, incêndio e mesmo explosão.
4. Se o electrólito entrar em contacto com os olhos, enxágue-os com água limpa e consulte imediatamente um médico. Os riscos incluem perda de visão.
5. Não provoque um curto-circuito na bateria:
 - (1) Não deixe que quaisquer materiais condutores entrem em contacto com os terminais da bateria.
 - (2) Evite guardar a bateria juntamente com outros objectos de metal como pregos, moedas, etc.
 - (3) Não exponha a bateria a água ou chuva. Um curto-circuito na bateria pode criar uma grande carga eléctrica, sobreaquecimento, fogo e uma quebra da corrente.
6. Não guarde a ferramenta e a bateria em locais onde a temperatura possa atingir ou exceder 50°C (122°F).

7. Não incinere a bateria, nem mesmo se esta estiver irremediavelmente danificada ou completamente gasta. Pode explodir e causar um incêndio.
8. Não a deixe cair e evite o choque com outros objectos.
9. Não utilize uma bateria danificada.

GUARDE ESTAS INSTRUÇÕES.

Sugestões para o máximo de tempo de vida da bateria

1. Não espere que a bateria se gaste completamente para voltar a carregá-la. Pare a ferramenta e carregue a bateria sempre que detectar um baixo nível de energia.
2. Nunca volte a carregar uma bateria já completamente carregada. O carregamento excessivo diminui o tempo de vida das baterias.
3. Carregue a bateria em locais onde a temperatura se situe entre 10°C e 40°C (50°F - 104°F). Se a bateria estiver quente, deixe-a arrefecer antes de iniciar o carregamento.
4. Carregue a bateria uma vez a cada seis meses se não a utilizar durante um longo período.

DESCRIÇÃO DO FUNCIONAMENTO

⚠ PRECAUÇÃO:

- Certifique-se sempre de que a ferramenta está desligada e que a bateria foi removida antes de proceder a ajustes ou testar acessórios.

Instalar ou retirar a bateria (Fig. 1)

⚠ PRECAUÇÃO:

- Desligue sempre a ferramenta antes de instalar ou retirar a bateria.

Para retirar a bateria, mantenha premido o botão na frente da bateria e puxe.

Para colocar a bateria, alinhe a respectiva saliência com a calha do compartimento e encaixe-a suavemente. Insira-a completamente até fixar em posição com um clique. Se ainda estiver visível o indicador vermelho na parte superior do botão, não estará bem encaixado.

⚠ PRECAUÇÃO:

- Coloque sempre completamente a bateria até deixar de ver o indicador vermelho. Caso contrário, pode cair da ferramenta e causar ferimentos em si, ou em alguém que esteja perto de si.
- Não exerça força ao colocar a bateria. Se não encaixar facilmente é porque não está correctamente posicionada.

Sistema de protecção da bateria (Bateria de iões de lítio com uma marca de estrela) (Fig. 2)

As baterias de iões de lítio com uma marca de estrela estão equipadas com um sistema de protecção. Este sistema corta automaticamente a alimentação para prolongar a vida útil da bateria.

A ferramenta pára automaticamente durante o funcionamento quando a ferramenta e/ou bateria são colocadas numa das condições seguintes:

- **Sobrecarregada:**
A ferramenta é utilizada de tal forma que atrai uma corrente involuntariamente alta.
Nesta situação, solte o gatilho da ferramenta e pare a aplicação que causou a sobrecarga. De seguida, prima novamente o gatilho para reiniciar. Se a ferramenta não ligar, a bateria está sobreaquecida. Nesta situação, deixe a bateria arrefecer antes de premir novamente o gatilho.
- **Tensão baixa da bateria:**
A carga restante da bateria é demasiado baixa e a ferramenta não funciona. Nesta situação, retire e recarregue a bateria.

Acção do interruptor (Fig. 3)

⚠ PRECAUÇÃO:

- Antes de inserir a pilha na ferramenta, verifique se o gatilho está a funcionar correctamente e se regressa à posição “OFF” quando o solta.

Para pôr a ferramenta a funcionar, prima o gatilho. A velocidade da ferramenta aumenta com a pressão exercida no gatilho. Para parar a ferramenta, solte o gatilho.

A luz incorporada na ferramenta (Fig. 4)

⚠ PRECAUÇÃO:

- Não olhe directamente para a luz da ferramenta. Para a acender prima o gatilho. A lâmpada manter-se-á acesa enquanto o gatilho for premido. 10 a 15 segundos depois de o gatilho ser solto, a luz apaga-se.

NOTA:

- Para limpar a lâmpada, utilize um tecido seco. Tenha cuidado para não riscar a lente da lâmpada, pois poderia diminuir a intensidade da iluminação.

Inverter a direcção da rotação (Fig. 5)

Esta ferramenta tem um interruptor que permite inverter a direcção da rotação. Rode o manípulo de mudança de rotação a partir da posição A no sentido dos ponteiros do relógio, ou a partir da posição B no sentido contrário ao dos ponteiros do relógio.

Se o manípulo de mudança de rotação estiver na posição neutra, o gatilho não poderá ser premido.

⚠ PRECAUÇÃO:

- Verifique sempre a direcção da rotação antes da operação.
- Este interruptor deve ser utilizado apenas quando a ferramenta estiver completamente parada. Se alterar a direcção da rotação antes da ferramenta ter parado pode avariá-la.
- Quando a ferramenta não estiver a funcionar coloque o manípulo de mudança de rotação na posição neutra.

Alteração da velocidade (Fig. 6)

Para alterar a velocidade, primeiro desligue a ferramenta e, em seguida, coloque o manípulo de mudança de velocidade na posição “2” para uma velocidade alta, e na posição “1” para uma velocidade baixa. Certifique-se de que o manípulo de mudança de velocidade está na

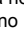
posição desejada antes de pôr a ferramenta a funcionar. Selecione a velocidade adequada ao trabalho que vai executar.


⚠ PRECAUÇÃO:


- Certifique-se de que o manípulo de mudança de velocidade fica colocado na posição correcta. Se colocar a ferramenta a funcionar com o manípulo de mudança de velocidade numa posição indefinida entre as posições “1” e “2”, a ferramenta pode avariar-se.
- Não utilize o manípulo de mudança de velocidade com a ferramenta em funcionamento. Pode avariar a ferramenta.

Seleção do modo de funcionamento (Fig. 7)

Esta ferramenta possui um anel de mudança de modo de funcionamento. Selecione, dos três modos disponíveis, o mais apropriado a cada trabalho que for efectuar.

Para uma rotação simples, rode o anel até que a seta no corpo da ferramenta fique a apontar para a marca  no anel.

Para uma rotação com precursão, rode o anel até que a seta no corpo da ferramenta fique a apontar para a marca  no anel.


Para uma rotação com pressão, rode o anel até que a seta no corpo da ferramenta fique a apontar para a marca  no anel.

⚠ PRECAUÇÃO:

- O anel deve ficar sempre bem posicionado, numa das marcas. Se puser a ferramenta a funcionar com o anel numa posição indefinida, entre duas marcas por exemplo, a ferramenta pode avariar-se.

Ajuste do binário de aperto (modo de chave de parafusos “”) (Fig. 8)

O binário de aperto tem 21 posições que podem ser reguladas com o anel de ajuste, alinhando as graduações relativamente ao ponteiro existente no corpo da ferramenta.

Em primeiro lugar, faça deslizar o manípulo de selecção do modo de funcionamento para a posição do símbolo . A posição mínima corresponde ao alinhamento da seta com o número 1, e a posição máxima ao alinhamento do ponteiro com o indicador. A embraiagem patinará nos vários níveis de torção quando definido para um número de 1 a 21. Antes do funcionamento, insira um parafuso de teste no material ou uma peça de material idêntico para determinar qual o nível de torção que é necessário para uma determinada aplicação.




NOTA:

- O anel de ajuste não bloqueia quando o ponteiro está posicionado entre as graduações.

Sinal vazio para carga restante da bateria (Fig. 9)

Pare a ferramenta e com a ferramenta parada prima o botão no painel de interruptores e a carga restante da bateria será assinalada no painel.

O estado apresentado no painel de interruptores e a carga restante da bateria é mostrada na tabela seguinte.

Estado do indicador LED	Carga restante da bateria
	Cerca de 50 % ou mais
	Cerca de 20 % - 50 %
	Menos de 20 %

012023

NOTA:

- Antes de verificar a carga restante da bateria, certifique-se de que pára a ferramenta.

MONTAGEM

⚠ PRECAUÇÃO:

- Certifique-se sempre de que a ferramenta está desligada e a bateria removida, antes de efectuar qualquer operação na ferramenta.

Instalar a pega lateral (manípulo auxiliar) (Fig. 10)

Utilize sempre a pega lateral para garantir a segurança de funcionamento.

Introduza a pega lateral de forma a que as saliências na pega da base e da banda metálica entrem nos encaixes no cano da ferramenta. De seguida, aperte a pega rodando no sentido dos ponteiros do relógio.

Quando roda a pega lateral, desaperte e retire a pega, de seguida, rode a pega e introduza-a novamente.

Instalar ou retirar brocas (Fig. 11)

Rode a manga no sentido contrário ao dos ponteiros do relógio para abrir o mandril. Introduza a broca no mandril, até ao fundo. Rode a manga no sentido dos ponteiros do relógio para apertar o mandril. Para remover a broca, rode a manga no sentido contrário ao dos ponteiros do relógio.

Instalar o porta-brocas (Fig. 12)

Instale o porta-brocas na saliência na base da ferramenta, no lado direito ou esquerdo, e fixe-o com um parafuso.

Quando não utilizar a broca, guarde-a no porta-brocas. O porta-brocas permite guardar brocas com 45 mm de comprimento.

Haste de profundidade regulável (Fig. 13)

A haste de profundidade regulável é utilizada para perfurar com uma profundidade uniforme. Desaperte o parafuso de fixação, coloque na posição pretendida e aperte o parafuso de fixação.

Gancho (Fig. 14)

O gancho é muito útil para pendurar a ferramenta quando necessário. Pode ser instalado de qualquer dos lados.


Para instalar o gancho, insira-o numa das ranhuras do corpo da ferramenta, em qualquer dos lados e, em seguida, fixe-o com um parafuso. Para o remover, basta desapertar o parafuso.

FUNCIONAMENTO (Fig. 15)

Função de perfuração com percussão

⚠ PRECAUÇÃO:

- No início da perfuração, quando o orifício começa a ficar entupido com partículas do material que está a ser perfurado ou quando a perfuração encontra reforços no interior do betão, é exercida uma força enorme que pode causar movimentos inesperados na broca. Utilize sempre a pega lateral (pega auxiliar) e segure bem na ferramenta pela pega lateral e a pega do gatilho durante a utilização. Se não o fizer poderá perder o controlo da ferramenta e sofrer potenciais ferimentos graves.

Em primeiro lugar, deslize o manípulo de selecção de modo de forma a que aponte para a marca . O anel de ajuste pode ser regulado para quaisquer níveis de aperto para esta operação.


Certifique-se de que está a usar uma broca com revestimento de carboneto de tungsténio.

Posicione a broca no ponto onde deseja efectuar a perfuração e prima o gatilho. Não force a ferramenta. Se aplicar uma leve pressão obterá melhores resultados. Concentre-se em manter a ferramenta na posição correcta e não deixar que a broca saia do orifício. Não aplique mais pressão quando o orifício começar a ficar entupido com partículas do material perfurado. Em vez disso, coloque a ferramenta em compasso de espera e retire parcialmente a broca do orifício. Repetindo este processo várias vezes, manterá o orifício limpo e uma perfuração normal.

Fole (acessório opcional) (Fig. 16)

Depois de perfurado o orifício, utilize o fole para retirar o entulho e partículas.

Aparafusar

Em primeiro lugar, deslize o manípulo de selecção de modo de forma a que aponte para a marca . Ajuste o anel para um nível adequado ao trabalho. Depois faça o seguinte.

Coloque a ponta da broca na cabeça do parafuso e pressione. Ponha a ferramenta a funcionar a uma velocidade baixa e vá aumentando gradualmente. Liberte o gatilho assim que o tambor parar de rodar.


NOTA:

- Certifique-se de que a broca está inserida directamente na cabeça do parafuso, caso o contrário o parafuso e/ou a porca podem ficar danificados.
- Ao aparafusar um parafuso para madeira, pré-perfure um orifício piloto com 2/3 do diâmetro do parafuso. Torna o aparafusamento mais fácil e impede a separação da peça de trabalho.
- Se mantiver a ferramenta a funcionar ininterruptamente até a bateria se gastar completamente, deixe-a em repouso durante 15 minutos antes de substituir a bateria.

Função de perfuração

PRECAUÇÃO:

- Se exercer demasiada força sobre a ferramenta, a velocidade de perfuração não aumentará. Na verdade, o excesso de força acabará apenas por danificar a ponta da broca, diminuir o desempenho da ferramenta e diminuir o seu tempo de vida funcional.
- No início da perfuração já é exercida uma enorme força na broca e na própria ferramenta. Mantenha a ferramenta firme e concentre-se no posicionamento da broca no início da perfuração.
- Uma broca encravada pode ser removida com facilidade invertendo o sentido da rotação na ferramenta. No entanto, deve ter cuidado porque a ferramenta pode exercer uma força súbita para trás, se não estiver bem segura.
- Quando trabalhar em peças pequenas fixe-as num torno ou num dispositivo similar.
- Se mantiver a ferramenta a funcionar ininterruptamente até a bateria se gastar completamente, deixe-a em repouso durante 15 minutos antes de substituir a bateria.

Em primeiro lugar, deslize o manípulo de selecção de modo de forma a que aponte para a marca . O anel de ajuste pode ser regulado para quaisquer níveis de aperto para esta operação. Depois faça o seguinte.

Perfuração em madeira

Se perfurar madeira, para obter os melhores resultados utilize brocas de madeira com uma ponta de parafuso. A ponta de parafuso torna a perfuração mais fácil, fazendo a broca penetrar o material.

Perfuração em metal

Para evitar que a broca salte ao iniciar a perfuração, crie também um orifício piloto com um cinzel e um martelo, no ponto que deseja perfurar. Coloque a ponta da broca no orifício piloto e inicie a perfuração.

Utilize um lubrificante de corte para perfurar metais.

Excepto em ferro e latão, que devem ser perfurados a seco.

MANUTENÇÃO

PRECAUÇÃO:

- Certifique-se sempre de que a ferramenta está desligada e a bateria removida antes de efectuar operações de inspecção ou de manutenção.
- Nunca utilize gasolina, benzina, diluente, álcool ou semelhante. Podem formar-se descolorações, deformações ou fissuras.

Substituir as escovas de carvão (Fig. 17)

Substitua-as quando o desgaste atingir a marca limite. Mantenha-as limpas para poderem deslizar no porta-escovas. Substitua as duas ao mesmo tempo. Utilize unicamente escovas de carvão idênticas.

Utilize uma chave de parafusos para remover os dois parafusos e retire a tampa posterior. (Fig. 18)

Levante o braço da mola e coloque-o na parte interior do corpo da ferramenta com a ajuda de um objecto comprido e delgado. (Fig. 19)

Utilize pinças para retirar as tampas da escova de carvão. Retire as escovas usadas, coloque umas novas e volte a

colocar as tampas das escovas de carvão dos suportes seguindo o procedimento inverso. (Fig. 20)
Certifique-se de que as tampas das escovas de carvão se adaptaram perfeita e firmemente nos orifícios dos suportes. (Fig. 21)

Volte a colocar a tampa posterior e aperte bem os parafusos.

Para manter os níveis de SEGURANÇA e FIABILIDADE definidos para este produto, as reparações e os procedimentos de manutenção ou ajustes devem ser executados por centros de assistência Makita autorizados, utilizando sempre peças de substituição Makita.

ACESSÓRIOS OPCIONAIS

PRECAUÇÃO:

- Os seguintes acessórios ou extensões são os recomendados para utilizar com a ferramenta Makita especificada neste manual. A utilização de quaisquer outros acessórios poderá representar um risco de ferimento para as pessoas. Apenas utilize o acessório para o fim indicado.

Se precisar de informações adicionais relativas aos acessórios, contacte o centro local de assistência Makita.

- Brocas de perfuração
- Brocas de perfuração de martelo
- Brocas de aparafusamento
- Fole
- Óculos protectores
- Bateria e carregador genuínos da Makita
- Conjunto da pega
- Haste de profundidade
- Gancho
- Almofada de borracha
- Protector de lâ
- Polidor de espuma
- Protector da bateria

NOTA:

- Alguns itens na lista podem estar incluídos no pacote de ferramentas como acessórios de série. Podem diferir de país para país.

Ruído

ENG905-1

O nível de ruído ponderado A típico determinado, de acordo com EN60745:

Modelo DHP448

Nível de pressão sonora (L_{pA}): 82 dB (A)

Nível de potência sonora (L_{WA}): 93 dB (A)

Incerteza (K): 3 dB (A)

Modelo DHP458

Nível de pressão sonora (L_{pA}): 84 dB (A)

Nível de potência sonora (L_{WA}): 95 dB (A)

Incerteza (K): 3 dB (A)

Use protecção ocular.

Vibração

ENG900-1

O valor total de vibração (soma vector triaxial) determinado, de acordo com EN60745:

Modelo DHP448

Modo de trabalho: perfuração de percussão em cimento

Emissão de vibrações ($a_{h,1D}$): 8,5 m/s²

Incerteza (K): 1,5 m/s²

Modo de trabalho: perfuração em metal

Emissão de vibração ($a_{h,D}$): 2,5 m/s² ou menos

Incerteza (K): 1,5 m/s²

Modelo DHP458

Modo de trabalho: perfuração de percussão em cimento

Emissão de vibrações ($a_{h,1D}$): 9,5 m/s²

Incerteza (K): 1,5 m/s²

Modo de trabalho: perfuração em metal

Emissão de vibração ($a_{h,D}$): 2,5 m/s² ou menos

Incerteza (K): 1,5 m/s²

ENG901-1

- O valor da emissão de vibração declarado foi medido de acordo com o método de teste padrão e pode ser utilizado para comparar uma ferramenta com outra.
- O valor da emissão de vibração declarado pode também ser utilizado numa avaliação preliminar de exposição.

AVISO:

- A emissão de vibração durante a utilização real da ferramenta eléctrica pode ser diferente do valor de emissão declarado, dependendo da forma como a ferramenta é utilizada.
- Certifique-se de que identifica medidas de segurança, para proteger o operador, que são baseadas numa estimativa de exposição nas condições reais de utilização (tendo em conta todas as partes do ciclo de funcionamento, como as vezes que a ferramenta é desligada e quando está a trabalhar ao ralenti, além do tempo de utilização).

Apenas para os países europeus

ENH101-15

Declaração de conformidade CE

Nós, a Makita Corporation, como fabricante responsável, declaramos que a(s) máquina(s) Makita seguinte(s):

Designação da máquina:

Furadeira de Impacto / Parafusadeira a Bateria

Nº/Tipo de modelo: DHP448, DHP458

são de produção em série e

Está em conformidade com as directivas europeias seguintes:

2006/42/EC

E são fabricadas de acordo com as normas e documentos padronizados seguintes:

EN60745

A documentação técnica é guardada pelo nosso representante autorizado na Europa:

Makita International Europe Ltd.

Michigan Drive, Tongwell,

Milton Keynes, Bucks MK15 8JD, Inglaterra

10. 8. 2011



Tomoyasu Kato

Director

Makita Corporation

3-11-8, Sumiyoshi-cho,

Anjo, Aichi, 446-8502, JAPAN

DANSK (Originalvejledning)

Forklaring til generel oversigt

1. Rød indikator	13. LED-indikator	25. Skrue
2. Knap	14. Rille	26. Udblæsningskolbe
3. Batteripakke	15. Fremspring	27. Slidgrænse
4. Stjernemærkning	16. Stålbånd	28. Bøgdæksel
5. Afbryderkontakt	17. Håndtagsbase	29. Skruer
6. Lampe	18. Sidehåndtag	30. Arm
7. Omløbsvælger	19. Muffe	31. Fjeder
8. Hastighedshåndtag	20. Bitsholder	32. Forsænket del
9. Ring til skift af funktionstilstand	21. Bit	33. Kulbørstedæksel
10. Pil	22. Dybdemåler	34. Hul
11. Justeringsring	23. Tilspændingsskrue	
12. Gradinddeling	24. Krog	

SPECIFIKATIONER

Model		DHP448	DHP458
Kapaciteter	Boring i beton	14 mm	16 mm
	Boring i stål	13 mm	13 mm
	Boring i træ	65 mm	76 mm
	Fastgørelse af træskrue	8 mm x 75 mm	10 mm x 90 mm
	Fastgørelse af maskinskrue	6 mm	
Hastighed uden belastning	Høj (2)	0 - 1.800 min ⁻¹	0 - 2.000 min ⁻¹
	Lav (1)	0 - 350 min ⁻¹	0 - 400 min ⁻¹
Slag pr. minut	Høj (2)	0 - 27.000 min ⁻¹	0 - 30.000 min ⁻¹
	Lav (1)	0 - 5.200 min ⁻¹	0 - 6.000 min ⁻¹
Længde i alt		225 mm	
Nettovægt		2,2 kg	2,3 kg
Nominel spænding		14,4 V jævnstrøm	18 V jævnstrøm

- På grund af vores løbende forsknings- og udviklingsprogram kan specifikationerne heri ændres uden forudgående varsel.
- Specifikationerne og batteripakken kan variere fra land til land.
- Vægt, inklusive batteripakken, i henhold til EPTA-Procedure 01/2003

Tilsigtet anvendelse ENE079-1

Denne maskine er beregnet til slagboring i mursten, beton og sten. Den er også velegnet til iskruning og boring uden slag i træ, metal, keramik og plastik.

Generelle sikkerhedsadvarsler for maskiner GEA010-1

⚠ ADVARSEL Læs alle sikkerhedsadvarsler og alle instruktioner. Hvis De ikke følger alle advarsler og instruktioner, kan det medføre elektrisk stød, brand og/eller alvorlig personskade.

Gem alle advarsler og instruktioner til senere reference.

SIKKERHEDSADVARSLER FOR LEDNINGSFRI SLAGBOREMASKINE GEB056-4

1. Brug høreværn under slagboring. Udsættelse for støj kan medføre høreskader.

2. **Benyt de ekstra håndtag, der eventuelt leveres med maskinen.** Hvis du mister kontrollen, kan du komme til skade.
3. **Hold maskiner i de isolerede gribeblader, når du udfører arbejde, hvor skæretilbehøret kan komme i kontakt med skjulte ledninger.** Hvis det skærende tilbehør kommer i kontakt med en strømførende ledning, kan udsatte metaldele på maskinen blive strømførende, hvorved operatøren kan få elektrisk stød.
4. **Hold maskiner i de isolerede gribeblader, når du udfører arbejde, hvor befæstelseselementet kan komme i kontakt med skjulte ledninger.** Hvis befæstelseselementer kommer i kontakt med en strømførende ledning, kan udsatte metaldele på maskinen blive strømførende, hvorved operatøren muligvis kan få elektrisk stød.
5. **Sørg altid for at have et solidt fodfæste.** Sørg for, at der ikke er nogen under dig, når du benytter maskinen på højtliggende steder.
6. **Hold godt fast i maskinen.**
7. **Hold hænderne på afstand af roterende dele.**
8. **Gå ikke fra maskinen, mens den kører. Lad kun maskinen køre, mens du holder den i hænderne.**

9. Berør ikke bitten eller arbejdsemnet umiddelbart efter brugen. De kan være meget varme og kan forårsage forbrændinger af huden.
10. Nogle materialer indeholder kemikalier, som kan være giftige. Sørg for, at undgå indånding af støv og kontakt med huden. Følg materialeleverandørens sikkerhedsdata.

GEM DISSE INSTRUKTIONER.

⚠ ADVARSEL:

LAD IKKE tryghed eller kendskab til produktet (fra gentagen brug) føre til, at du ikke strengt overholder sikkerhedsreglerne for det gældende produkt. MISBRUG eller manglende overholdelse af sikkerhedsreglerne i denne brugsanvisning kan medføre alvorlig personskade.

VIGTIGE SIKKERHEDSINSTRUKTIONER

ENC007-7

FOR BATTERIPAKKEN

1. Før brugen af batteripakken skal du læse alle instruktioner og advarsler på (1) batteriopladeren, (2) batteriet og (3) det produkt, som batteriet anvendes i.
2. Skil ikke batteripakken ad.
3. Hvis driftstiden bliver betydeligt kortere, skal du straks ophøre med brugen. Brug kan medføre risiko for overophedning, risiko for forbrændinger eller endog eksplosion.
4. Hvis du får elektrolyt i øjnene, skal du med det samme rense øjnene med rent vand og søge læge. Dette kan medføre tab af synet.
5. Kortslut ikke batteripakken:
 - (1) Undgå at røre ved terminalerne med ledende materiale.
 - (2) Undgå at opbevare batteripakken i en beholder med andre metalgenstande som f.eks. søm, mønter osv.
 - (3) Udsæt ikke batteripakken for vand eller regn. Hvis batteriet kortsluttes, kan det medføre voldsom strøm, overophedning, mulige forbrændinger og endog nedbrud.
6. Undgå at opbevare værktøjet og batteripakken på steder, hvor temperaturen kan komme op på eller overstige 50°C.
7. Sæt ikke ild til batteripakken, selvom den er alvorligt beskadiget eller helt udtjent. Batteripakken kan eksplodere ved brand.
8. Undgå at tabe eller slå på batteriet.
9. Undlad brug af et beskadiget batteri.

GEM DISSE INSTRUKTIONER.

Tips til, hvordan du forlænger batteriets levetid

1. Oplad batteripakken, før den bliver helt afladet. Ophør med at bruge værktøjet, og udskift batteripakken, hvis strømmen til værktøjet aftager.

2. Oplad aldrig en fuldt opladet batteripakke. Overopladning forkorter batteriets levetid.
3. Oplad batteripakken ved stuetemperatur på 10°C - 40°C. Lad batteripakken køle ned før den oplades, hvis den er varm.
4. Oplad batteripakken en gang hver sjette måned, hvis du ikke bruger det i lang tid.

FUNKTIONSBESKRIVELSE

⚠ FORSIGTIG:

- Sørg altid for, at maskinen er slukket, og at batteripakken er taget ud, før du justerer maskinen eller kontrollerer dens funktion.

Montering eller afmontering af batteripakke (Fig. 1)

⚠ FORSIGTIG:

- Sluk altid for maskinen inden montering eller afmontering af batteripakken.

Afmonter batteripakken ved at holde ned på knappen foran på batteripakken og skubbe den af maskinen. Ved montering af batteripakken justeres tungen på batteripakken med rillen i huset, hvorefter pakken skubbes på plads. Sæt den hele vejen ind, indtil den låses på plads med et lille klik. Hvis den røde indikator øverst på knappen er synlig, er batteripakken ikke låst helt fast.

⚠ FORSIGTIG:

- Sæt altid batteripakken helt ind, indtil den røde indikator ikke er synlig. Ellers kan den falde ud af maskinen og skade dig eller andre personer i nærheden.
- Brug ikke magt ved montering af batteripakken. Hvis den ikke glider let ind, er den ikke indsat korrekt.

Batteribeskyttelsessystem (lithium-ion-batteri med stjernemærkning) (Fig. 2)

Lithium-ion-batterier med en stjernemærkning er udstyret med et beskyttelsessystem. Dette system slukker automatisk for strømmen til maskinen for at forlænge batterilevetiden.

Maskinen stopper automatisk under anvendelsen, hvis maskinen og/eller batteriet udsættes for en af de følgende situationer:

- Overbelastning:
 - Maskinen anvendes på en sådan måde, at det får den til at bruge unormalt meget strøm. I denne situation skal du slippe afbryderkontakten på maskinen og stoppe den anvendelse, som gjorde maskinen overbelastet. Tryk derefter ind på afbryderkontakten for starte igen. Hvis maskinen ikke starter, er batteriet overbelastet. I denne situation skal du lade batteriet køle af, inden du trykker ind på afbryderkontakten igen.
- Lav batterispænding:
 - Den resterende batterikapacitet er for lav, og maskinen kan ikke køre. I denne situation skal du afmontere og oplade batteriet.

Betjening af afbryderkontakt (Fig. 3)

⚠ FORSIGTIG:

- Før batteripakken sættes i maskinen, skal du altid kontrollere, at afbryderkontakten reagerer korrekt og vender tilbage i "OFF"-stillingen, når du slipper den.

For at starte maskinen skal du blot trykke på afbryderkontakten. Maskinens hastighed forøges ved at trykke hårdere på afbryderkontakten. Slip afbryderkontakten for at stoppe.

Tænding af lampen (Fig. 4)

⚠ FORSIGTIG:

- Se ikke direkte ind i lyset eller lyskilden. Træk i afbryderkontakten for at tænde lampen. Lampen forbliver tændt, så længe der trækkes i afbryderkontakten. Lampen slukkes 10-15 sekunder efter, at afbryderkontakten slippes.

BEMÆRK:

- Benyt en tør klud til at tørre snavs af lampens linse. Pas på ikke at ridse lampens linse, da det kan mindske lysstyrken.

Betjening af omløbsvælger (Fig. 5)

Maskinen har en omløbsvælger til ændring af omløbsretningen. Tryk omløbsvælgeren mod A-siden for rotation med uret eller mod B-siden for rotation mod uret. Når omløbsvælgeren er i neutral stilling, kan afbryderkontakten ikke trækkes ind.

⚠ FORSIGTIG:

- Kontroller altid rotationsretningen før anvendelsen.
- Betjen ikke skiftekontakten, før maskinen er helt stoppet. Hvis omløbsretningen ændres, inden maskinen er helt stoppet, kan det beskadige maskinen.
- Sæt altid omløbsvælgeren i neutral stilling, når maskinen ikke anvendes.

Ændring af hastigheden (Fig. 6)

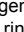
Hvis du vil ændre hastigheden, skal du først slukke for maskinen og derefter trække hastighedshåndtaget mod siden "2" for høj hastighed eller mod siden "1" for lav hastighed. Kontroller før anvendelsen, at hastighedshåndtaget er i den korrekte stilling. Brug den rette hastighed til jobbet.

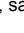
⚠ FORSIGTIG:

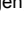
- Sæt altid hastighedshåndtaget helt ud i den rette stilling. Hvis maskinen betjenes med hastighedshåndtaget indstillet halvvejs mellem "1" og "2", kan det beskadige maskinen.
- Betjen ikke hastighedshåndtaget, mens maskinen kører. Dette kan beskadige maskinen.

Valg af funktionstilstand (Fig. 7)

Maskinen har en ring til skift af funktionstilstand. Brug ringen til at vælge den af de tre tilstande, der passer til dit arbejde.

For kun at vælge rotation drejes ringen, så pilen på maskinen peger mod -mærket på ringen.

For rotation med slag drejes ringen, så pilen peger mod -mærket på ringen.


For rotation med kobling drejes ringen, så pilen peger mod -mærket på ringen.

⚠ FORSIGTIG:

- Indstil altid ringen korrekt til mærket for den ønskede tilstand. Hvis maskinen betjenes med ringen placeret midt mellem tilstandsmærkerne, kan maskinen blive beskadiget.

Justering af strammingsmomentet (skruetrækkertilstand "") (Fig. 8)

Strammingsmomentet kan indstilles til 21 trin ved at dreje på justeringsringen, så dens gradinddelinger er justeret med pilen på maskinen.

Skub først håndtaget til skift af funktionstilstand mod symbolet .

Strammingsmomentet er mindst, når tallet 1 er justeret med pilen, og størst, når mærket er justeret med pilen. Koblingen slipper ved de forskellige strammingsmomenter, når det er indstillet til tallene 1 til 21. Før den faktiske anvendelse skal du sætte en prøveskrue i arbejdsområdet eller i en stykke lignende materiale for at bestemme, hvilket moment der kræves til en bestemt anvendelse.




BEMÆRK:

- Justeringsringen låses ikke, når pilen er placeret midt imellem gradinddelingerne.

Obrugt-signal for resterende batterikapacitet (Fig. 9)

Stop maskinen og med maskinen stoppet skal du trykke på knappen på kontaktpanelet, og den resterende batterikapacitet vises på panelet.

Statussen vist på kontaktpanelet og den resterende batterikapacitet vises i det følgende skema.

LED-indikatorstatus	Resterende batterikapacitet
	Ca. 50 % eller mere
	Ca. 20 % - 50 %
	Mindre end 20 %

012023

BEMÆRK:

- Sørg for at stoppe maskinen, inden du kontrollerer den resterende batterikapacitet.

MONTERING

⚠ FORSIGTIG:

- Sørg altid for, at maskinen er slukket, og at batteripakken er taget ud, før du udfører nogen form for arbejde på maskinen.

Montering af sidehåndtag (ekstra håndtag) (Fig. 10)

Anvend altid sidehåndtaget af hensyn til betjeningsikkerheden.

Indsæt sidehåndtaget, så fremspringene på håndtagsburet og stålbandet passer ind mellem rillerne på værktøjscylinderen. Stram derefter håndtaget ved at dreje det med uret.

Når du drejer sidehåndtaget, skal du løsne og fjerne håndtaget for derefter at dreje håndtaget og indsætte det igen.

Montering eller afmontering af skruebit eller bor (Fig. 11)

Drej muffen mod uret for at åbne patronkæberne. Sæt bitten ind i patronen til den ikke kan komme længere ind. Drej muffen med uret for at stramme patronen. Drej muffen mod uret for at tage bitten ud.

Montering af bitsholder (Fig. 12)

Indsæt bitsholderen i fremspringet på maskinens fod i højre eller venstre side, og fastgør den med en skrue. Opbevar skruebittene i bitsholderne, når de ikke anvendes. Der kan opbevares bits på 45 mm.

Justerbar dybdemåler (Fig. 13)

Den justerbare dybdemåler gør det muligt at bore huller med samme dybde. Løsn tilspændingsskruen, indstil måleren til den ønskede position, og stram derefter tilspændingsskruen.

Krog (Fig. 14)


Krogen er nyttig til midlertidig ophængning af maskinen. Den kan monteres på begge sider af maskinen. For at montere krogen indsættes den i en rille i maskinen på en af siderne, hvorefter den fastgøres med en skrue. Den afmonteres ved at løsne skruen og tage den ud.

BETJENING (Fig. 15)

Betjening ved slagboring

FORSIGTIG:

- Maskinen og bitten udsættes for en voldsom og pludselig kraft på det tidspunkt, hvor bitten bryder igennem, når hullet tilstoppes med spåner og partikler, eller når maskinen rammer armeringsjern i beton. Anvend altid sidehåndtaget (ekstra håndtag) og hold godt fast i maskinen i både sidehåndtaget og kontakthåndtaget under betjening. Hvis du ikke gør dette, kan du miste kontrollen med maskinen, hvilket kan forårsage alvorlig personskade.

Skub først håndtaget til skift af funktionstilstand, så det vender mod -mærket. Justeringsringen kan indstilles til alle strammingsmomenter til denne funktion.


Sørg for at bruge en wolframkarbid-forstærket spids. Placer bitten på det sted, hvor hullet skal bores, og træk i afbryderkontakten. Brug ikke kræfter på maskinen. Et let tryk giver det bedste resultat. Hold maskinen på positionen, og undgå, at den glider væk fra hullet. Anvend ikke mere tryk, når hullet bliver tilstoppet med spåner eller partikler. Lad i stedet maskinen køre i tomgang, og tag bitten delvist ud af hullet. Når du gentager denne fremgangsmåde flere gange, tømmes hullet, og du kan fortsætte med at bore.

Udblæsningskolbe (fås som tilbehør)

(Fig. 16)

Når hullet er boret, kan du bruge udblæsningskolben til at fjerne støv fra hullet.

Anvendelse som skruetrækker

Skub først håndtaget til skift af funktionstilstand, så det vender mod -mærket. Indstil justeringsringen til det rigtige strammingsmoment til formålet. Benyt derefter følgende fremgangsmåde.

Placer spidsen af skruebitten i skruehovedet, og tryk med maskinen. Start maskinen langsomt, og forøg gradvist hastigheden. Slip afbryderkontakten, så snart koblingen slår fra.


BEMÆRK:

- Sørg for, at skruebitten sættes lige ned i skruehovedet. I modsat fald kan skruen og/eller bitten blive beskadiget.
- Når du skruer træskruer i, skal der forbores et hul på 2/3 af skrueens diameter. Dette gør det nemmere at skrue skruen i og forhindrer, at arbejdsemnet flækker.
- Hvis maskinen betjenes konstant, indtil batteripakken er afladet, skal du lade maskinen hvile i 15 minutter, før du fortsætter med et nyt batteri.

Betjening ved boring

FORSIGTIG:

- Boringen går ikke hurtigere, hvis du trykker hårdt på maskinen. Det ekstra tryk vil blot beskadige spidsen på boret, så maskinens ydelse forringes, og dens levetid forkortes.
- Maskinen og boret er under påvirkning af stærke kræfter på det tidspunkt, hvor boret bryder igennem. Hold godt fast i maskinen, og vær opmærksom, når boret begynder at bryde igennem arbejdsemnet.
- Hvis boret sidder fast, kan det tages ud ved blot at indstille omløbsvælgeren til baglæns rotation for at bakke det ud. Vær imidlertid opmærksom på, at maskinen kan bakke ud pludseligt, hvis du ikke holder godt fast i den.
- Fastgør altid små arbejdsemner i en skruestik eller lignende udstyr til fastgørelse.
- Hvis maskinen betjenes konstant, indtil batteripakken er afladet, skal du lade maskinen hvile i 15 minutter, før du fortsætter med et nyt batteri.

Skub først håndtaget til skift af funktionstilstand, så det vender mod -mærket. Justeringsringen kan indstilles til alle strammingsmomenter til denne funktion. Benyt derefter følgende fremgangsmåde.

Boring i træ

Ved boring i træ opnås de bedste resultater med træbor, som er udstyret med en styreskrue. Styreskruen gør det lettere at bore ved at trække boret ind i arbejdsemnet.

Boring i metal

Lav en fordybning med en kørner og en hammer på det sted, hvor der skal bores, for at forhindre, at boret glider, når du starter på et hul. Placer spidsen af boret i fordybningen, og begynd at bore.

Anvend en skæreolie ved boring i metaller. Undtagelser fra denne regel er jern og messing, der skal bores tørre.

VEDLIGEHOJDELSE

FORSIGTIG:

- Sørq altid for, at maskinen er slukket, og at batteripakken er taget ud, før du forsøger at udføre inspektion eller vedligeholdelse.
- Brug aldrig benzin, benzen, fortynder, alkohol eller lignende. Det kan muligvis medføre misfarvning, deformation eller revner.

Udskiftning af kulbørsterne (Fig. 17)

Udskift dem, når de er nedslidit til slidgrænsen. Hold kulbørsterne rene og frie til at glide i holderne. Begge kulbørster skal udskiftes samtidig. Brug altid identiske kulbørster.

Brug en skruetrækker til at fjerne de to skruer og derefter fjerne bagdækslet. (Fig. 18)

Løft armen på fjederen, og placer den i den forsænkede del af huset med en kærvskrue-trækker med et tyndt skaft eller lignende. (Fig. 19)

Brug en pincet til at fjerne kulbørstedækslerne fra kulbørsterne. Tag de udslidte kulbørster ud, monter de nye, og monter kulbørstedækslerne i omvendt rækkefølge af ovenstående. (Fig. 20)

Sørq for, at kulbørstedækslerne sidder godt fast i hullerne på børsteholderne. (Fig. 21)

Monter bagdækslet igen, og stram de to skruer godt.

For at holde produktet SIKKERT og PÅLIDELIGT skal reparationer samt al anden vedligeholdelse eller justering udføres af autoriserede Makita-servicecentre, og der skal altid benyttes Makita-reservedele.

EKSTRAUDSTYR

FORSIGTIG:

- Dette tilbehør eller ekstraudstyr anbefales til brug med det Makita-værktøj, som er beskrevet i denne brugsanvisning. Brug af andet tilbehør eller ekstraudstyr kan forårsage personskade. Brug kun tilbehør eller ekstraudstyr til det formål, det er beregnet til.

Henvend dig til dit lokale Makita-servicecenter, hvis du har brug for hjælp eller yderligere oplysninger vedrørende tilbehøret.

- Bor
- Slagbor
- Skruebits
- Udblæsningskolbe
- Sikkerhedsbriller
- Originalt batteri og oplader fra Makita
- Samling til håndtag
- Dybdemåler
- Krog
- Gummimåttemontering
- Uldhætte
- Skumpoleringsmåtte
- Batteribeskyttelse

BEMÆRK:

- Visse dele på listen er muligvis indeholdt maskinindpakningen som standardtilbehør. De kan variere fra land til land.

Støj

Det typiske A-vægtede støjniveau bestemt i overensstemmelse med EN60745:

Model DHP448

Lydtryksniveau (L_{pA}): 82 dB (A)
Lydeffektniveau (L_{WA}): 93 dB (A)
Usikkerhed (K): 3 dB (A)

Model DHP458

Lydtryksniveau (L_{pA}): 84 dB (A)
Lydeffektniveau (L_{WA}): 95 dB (A)
Usikkerhed (K): 3 dB (A)

Bær høreværn.

Vibration

ENG900-1

Den samlede vibrationsværdi (treksiel vektorsum) bestemt i overensstemmelse med EN60745:

Model DHP448

Arbejdstilstand: slagboring i beton
Vibrationsemission ($a_{h,ID}$): 8,5 m/s²
Usikkerhed (K): 1,5 m/s²

Arbejdstilstand: boring i metal
Vibrationsemission ($a_{h,D}$): 2,5 m/s² eller mindre
Usikkerhed (K): 1,5 m/s²

Model DHP458

Arbejdstilstand: slagboring i beton
Vibrationsemission ($a_{h,ID}$): 9,5 m/s²
Usikkerhed (K): 1,5 m/s²

Arbejdstilstand: boring i metal
Vibrationsemission ($a_{h,D}$): 2,5 m/s² eller mindre
Usikkerhed (K): 1,5 m/s²

ENG901-1

- Den opgivne vibrationsmissionsværdi er målt i overensstemmelse med standardtestmetoden og kan bruges til at sammenligne et værktøj med et andet.
- Den opgivne vibrationsmissionsværdi kan muligvis også bruges til en indledende eksponeringsvurdering.

ADVARSEL:

- Vibrationsemissionen under den faktiske brug af maskinen kan afvige fra den opgivne emissionsværdi afhængigt af den måde, maskinen anvendes på.
- Sørq for at bestemme sikkerhedsforanstaltninger for beskyttelse af operatøren, som er baseret på en eksponeringsvurdering for brug under faktiske forhold (hvor alle anvendelsescyklussens dele inddrages, som f.eks. antal gange maskinen slukkes, og når den kører i tomgang ud over triggertiden).

Kun for europæiske lande

ENH101-15

EF-overensstemmelseserklæring

Vi, Makita Corporation, erklærer som ansvarlig producent at følgende Makita-maskine(r):

Maskinens betegnelse:
Ledningsfri slagboremaskine
Modelnummer/ type: DHP448, DHP458

er en produktionsserie og

Overholder følgende europæiske direktiver:

2006/42/EF

Op er produceret i overensstemmelse med følgende standarder eller standardiserede dokumenter:

EN60745

Den tekniske dokumentation findes hos vores
autoriserede repræsentant i Europa:
Makita International Europe Ltd.
Michigan Drive, Tongwell,
Milton Keynes, Bucks MK15 8JD, England

10. 8. 2011



Tomoyasu Kato
Direktør
Makita Corporation
3-11-8, Sumiyoshi-cho,
Anjo, Aichi, 446-8502, JAPAN

ΕΛΛΗΝΙΚΑ (Πρωτογενείς οδηγίες)

Περιγραφή γενικής όψης

1. Κόκκινη ένδειξη	12. Διαβάθμιση	24. Γάντζος
2. Κουμπί	13. Ενδεικτική λυχνία	25. Βίδα
3. Κασέτα μπαταρίας	14. Εγκοπή	26. Φουσητήρι
4. Ένδειξη άστρου	15. Προεξοχή	27. Ένδειξη ορίου
5. Σκανδάλη διακόπτης	16. Ατσάλινος ιμάντας	28. Πίσω κάλυμμα
6. Λυχνία	17. Βάση λαβής	29. Βίδες
7. Μοχλός διακόπτη αντιστροφής	18. Πλαϊνή λαβή	30. Βραχίονας
8. Μοχλός αλλαγής ταχύτητας	19. Περιβλήμα	31. Ελατήριο
9. Δακτύλιος αλλαγής τρόπου δράσης	20. Στήριγμα μύτης	32. Τμήμα με εγκοπή
10. Βέλος	21. Μύτη	33. Καπάκι για καρβουνάκι
11. Δακτύλιος ρύθμισης	22. Ράβδος βάθους	34. Οπή
	23. Βίδα σύσφιξης	

ΠΡΟΔΙΑΓΡΑΦΕΣ

Μοντέλο	DHP448	DHP458	
Δυνατότητες	Τρυπάνισμα σε τσιμέντο	14 mm	16 mm
	Τρυπάνισμα σε χάλυβα	13 mm	13 mm
	Τρυπάνισμα σε ξύλο	65 mm	76 mm
	Σφίξιμο ξυλόβιδας	8 mm x 75 mm	10 mm x 90 mm
	Σφίξιμο μηχανικής βίδας	6 mm	
Ταχύτητα χωρίς φορτίο	Υψηλή (2)	0 - 1.800 min ⁻¹	0 - 2.000 min ⁻¹
	Χαμηλή (1)	0 - 350 min ⁻¹	0 - 400 min ⁻¹
Κρούσεις το λεπτό	Υψηλή (2)	0 - 27.000 min ⁻¹	0 - 30.000 min ⁻¹
	Χαμηλή (1)	0 - 5.200 min ⁻¹	0 - 6.000 min ⁻¹
Ολικό μήκος	225 mm		
Καθαρό βάρος	2,2 kg	2,3 kg	
Ονομαστική τιμή τάσης	D.C. 14,4 V	D.C. 18 V	

- Λόγω του συνεχόμενου προγράμματος που εφαρμόζουμε για έρευνα και ανάπτυξη, τα τεχνικά χαρακτηριστικά στο παρόν έντυπο υπόκεινται σε αλλαγή χωρίς προειδοποίηση.
- Τα τεχνικά χαρακτηριστικά και η μπαταρία ενδέχεται να διαφέρουν από χώρα σε χώρα.
- Βάρος μαζί με την μπαταρία σύμφωνα με τη διαδικασία της EPTA 01/2003

Προοριζόμενη χρήση

ENE079-1

Το εργαλείο προορίζεται για κρουστικό τρυπάνισμα σε τούβλα, τσιμέντο και πέτρα. Το εργαλείο είναι κατάλληλο για βίδωμα και για τρυπάνισμα χωρίς κρούση σε ξύλο, μέταλλο κεραμικό και πλαστικό.

Γενικές Προειδοποιήσεις Ασφαλείας Του Ηλεκτρικού Εργαλείου

GEA010-1

⚠ ΠΡΟΕΙΔΟΠΟΙΗΣΗ Διαβάστε όλες τις προειδοποιήσεις ασφαλείας και όλες τις οδηγίες. Αν δεν ακολουθήσετε όλες τις προειδοποιήσεις και τις οδηγίες, υπάρχει κίνδυνος ηλεκτροπληξίας, πυρκαγιάς ή/και σοβαρού τραυματισμού.

Φυλάξτε όλες τις προειδοποιήσεις και τις οδηγίες για μελλοντική αναφορά.

ΠΡΟΕΙΔΟΠΟΙΗΣΕΙΣ ΑΣΦΑΛΕΙΑΣ ΓΙΑ ΤΟ ΚΡΟΥΣΤΙΚΟ ΔΡΑΠΑΝΟΚΑΤΣΑΒΙΔΟ ΜΠΑΤΑΡΙΑΣ

GEB056-4

1. **Να φοράτε ωτοασπίδες κατά την διάρκεια του κρουστικού τρυπανίσματος.** Η έκθεση σε θόρυβο μπορεί να προκαλέσει απώλεια ακοής.
2. **Να χρησιμοποιείτε τη βοηθητική χειρολαβή(ες), εάν παρέχονται με το εργαλείο.** Η απώλεια του ελέγχου μπορεί να προκαλέσει προσωπικό τραυματισμό.
3. **Να κρατάτε το ηλεκτρικό εργαλείο από τις μονωμένες λαβές όταν εκτελείτε εργασίες κατά τις οποίες το κοπτικό εξάρτημα μπορεί να έρθει σε επαφή με κρυμμένα καλώδια.** Αν το κοπτικό εξάρτημα έρθει σε επαφή με κάποιο ηλεκτροφόρο καλώδιο, τα εκτεθειμένα μεταλλικά μέρη του ηλεκτρικού εργαλείου θα γίνουν κι αυτά ηλεκτροφόρα και μπορεί να προκληθεί ηλεκτροπληξία στο χειριστή.
4. **Να κρατάτε το ηλεκτρικό εργαλείο από τις μονωμένες λαβές όταν εκτελείτε εργασίες κατά τις οποίες ο σφιγκτήρας μπορεί να έρθει σε επαφή με**

κρυμμένα καλώδια. Αν οι σφικτήρες έρθουν σε επαφή με κάποιο ηλεκτροφόρο καλώδιο, τα εκτεθειμένα μεταλλικά μέρη του ηλεκτρικού εργαλείου θα γίνουν κι αυτά ηλεκτροφόρα και μπορεί να προκληθεί ηλεκτροπληξία στο χειριστή.

5. **Να βεβαιώνετε πάντοτε ότι στέκεστε σταθερά.** Όταν χρησιμοποιείτε το εργαλείο σε υψηλές τοποθεσίες, να βεβαιώνετε ότι δεν βρίσκεται κανένας από κάτω.
6. **Να κρατάτε το εργαλείο σταθερά.**
7. **Μην πλησιάζετε τα χέρια σας σε περιστρεφόμενα μέρη.**
8. **Μην αφήνετε το εργαλείο σε λειτουργία.** Το εργαλείο πρέπει να βρίσκεται σε λειτουργία μόνο όταν το κρατάτε.
9. **Μην αγγίζετε τη μύτη ή το τεμάχιο εργασίας αμέσως μετά τη λειτουργία του εργαλείου.** Μπορεί να είναι εξαιρετικά θερμά και να προκαλέσει έγκαυμα στο δέρμα σας.
10. **Μερικά υλικά περιέχουν χημικές ουσίες που μπορεί να είναι τοξικές.** Να προσέχετε ώστε να αποφεύγετε την εισπνοή της σκόνης και την επαφή με το δέρμα. Ακολουθείτε τα δεδομένα ασφάλειας υλικού που παρέχονται από τον προμηθευτή.

ΦΥΛΑΞΤΕ ΑΥΤΕΣ ΤΙΣ ΟΔΗΓΙΕΣ.

ΠΡΟΕΙΔΟΠΟΙΗΣΗ:

ΜΗΝ επιτρέψετε στη βολικότητα ή στην εξοικειωσή σας με το προϊόν (που αποκτήθηκε από επανειλημμένη χρήση) να αντικαταστήσει την αυστηρή προσήλωση στους κανόνες ασφάλειας του εν λόγω προϊόντος. Η **ΛΑΝΘΑΣΜΕΝΗ ΧΡΗΣΗ** ή η μη τήρηση των κανόνων ασφαλείας που διατυπώνονται στο παρόν εγχειρίδιο οδηγίων μπορεί να προκαλέσει σοβαρό τραυματισμό.

ΣΗΜΑΝΤΙΚΕΣ ΟΔΗΓΙΕΣ ΑΣΦΑΛΕΙΑΣ

ENC007-7

ΓΙΑ ΤΗΝ ΜΠΑΤΑΡΙΑ

1. **Πριν χρησιμοποιήσετε την μπαταρία, διαβάστε όλες τις οδηγίες και τις ενδείξεις προφύλαξης στο (1) φορτιστή μπαταρίας, (2) την μπαταρία και (3) το προϊόν στο οποίο χρησιμοποιείται η μπαταρία.**
2. **Μην αποσυρμαρμολογείτε την μπαταρία.**
3. **Αν ο χρόνος λειτουργίας της μπαταρίας είναι υπερβολικά σύντομος, διακόψτε αμέσως τη λειτουργία.** Αν συνεχίσετε, μπορεί να έχει ως αποτέλεσμα τον κίνδυνο υπερθέρμανσης, πιθανών εγκαυμάτων και ακόμη έκρηξης.
4. **Αν μπει στα μάτια σας ηλεκτρολύτης, ξεπλύνετε με καθαρό νερό και αναζητήστε αμέσως ιατρική βοήθεια.** Μπορεί να χάσετε την όρασή σας.
5. **Μη βραχυκυκλώνετε την μπαταρία:**
 - (1) **Μην αγγίζετε τους ακροδέκτες με αγώγιμο υλικό.**
 - (2) **Μην αποθηκεύετε την μπαταρία σε δοχείο με άλλα μεταλλικά αντικείμενα, όπως καρφιά, νομίσματα, κτλ.**
 - (3) **Μην εκθέτετε την μπαταρία σε νερό ή βροχή.**

Αν βραχυκυκλωθεί η μπαταρία, μπορεί να προκληθεί μεγάλη ροή ηλεκτρικού ρεύματος, υπερθέρμανση, πιθανά εγκαύματα και ακόμη και καταστροφή της μπαταρίας.

6. **Μην αποθηκεύετε το εργαλείο και την μπαταρία σε μέρη όπου η θερμοκρασία μπορεί να φτάσει ή να ξεπεράσει τους 50°C (122°F).**
7. **Μην αποτεφρώνετε την μπαταρία ακόμη κι αν παρουσιάζει σοβαρή ζημιά ή είναι εντελώς φθαρμένη.** Η μπαταρία μπορεί να εκραγεί σε φωτιά.
8. **Μη προσέχετε να μη σας πέσει η μπαταρία και να μη συγκρουστεί με κάποιο αντικείμενο.**
9. **Μη χρησιμοποιείτε μια μπαταρία που έχει υποστεί βλάβη.**

ΦΥΛΑΞΤΕ ΑΥΤΕΣ ΤΙΣ ΟΔΗΓΙΕΣ.

Συμβουλές για τη διατήρηση της μέγιστης ζωής της μπαταρίας

1. **Να φορτίζετε την μπαταρία πριν αποφορτιστεί εντελώς.**
Πάντοτε να διακόπτετε τη λειτουργία του εργαλείου και να φορτίζετε την μπαταρία όταν παρατηρείται μειωμένη ισχύ του εργαλείου.
2. **Ποτέ μην επαναφορτίζετε μια πλήρως φορτισμένη μπαταρία.**
Αν υπερφορτίσετε την μπαταρία, μειώνεται η ωφέλιμη διάρκεια ζωής της.
3. **Να φορτίζετε την μπαταρία σε θερμοκρασία δωματίου, δηλαδή στους 10°C έως 40°C (50°F έως 104°F).** Αν η μπαταρία είναι θερμή, αφήστε την να ψυχθεί πριν τη φορτίσετε.
4. **Να φορτίζετε την κασέτα μπαταρία μια φορά κάθε έξι μήνες όταν δεν τη χρησιμοποιείτε για μεγάλο χρονικό διάστημα.**

ΠΕΡΙΓΡΑΦΗ ΛΕΙΤΟΥΡΓΙΑΣ

ΠΡΟΣΟΧΗ:

- Να βεβαιώνετε πάντοτε ότι έχετε σβήσει το εργαλείο και έχετε βγάλει την κασέτα μπαταρίας πριν ρυθμίσετε ή ελέγξετε κάποια λειτουργία του εργαλείου.

Τοποθέτηση ή αφαίρεση της κασέτας μπαταρίας (Εικ. 1)

ΠΡΟΣΟΧΗ:

- Πάντοτε να απενεργοποιείτε το εργαλείο πριν από την τοποθέτηση ή την αφαίρεση της κασέτας μπαταρίας. Για να βγάλετε την κασέτα μπαταρίας, σύρετε την από το εργαλείο ολισθαίνοντας το κουμπί στο μπροστινό μέρος της κασέτας. Για να τοποθετήσετε την κασέτα μπαταρίας, ευθυγραμμίστε τη γλωττίδα της κασέτας μπαταρίας με την εγκοπή στο περίβλημα και ολισθήστε τη στη θέση της. Να την τοποθετείτε έως το τέρμα, δηλαδή έως όπου ασφαλίζει στη θέση και ακουστεί ένας χαρακτηριστικός ήχος "κλικ". Αν μπορείτε να δείτε την κόκκινη ένδειξη στην πάνω πλευρά του κουμπιού, η μπαταρία δεν είναι πλήρως ασφαλισμένη.

ΠΡΟΣΟΧΗ:

- Πάντοτε να τοποθετείτε την κασέτα μπαταρίας πλήρως για να μη φαίνεται η κόκκινη ένδειξη. Σε αντίθετη περίπτωση, μπορεί να πέσει κατά λάθος από το εργαλείο και να τραυματίσει εσάς ή κάποιον παρευρισκόμενο.
- Να μη χρησιμοποιείτε δύναμη όταν τοποθετείτε την κασέτα μπαταρίας. Αν η κασέτα δεν ολισθαίνει με ευκολία, δεν την εισήγατε σωστά.

Σύστημα προστασίας μπαταρίας (Μπαταρία ιόντων λιθίου με την ένδειξη άστρου) (Εικ. 2)

Οι μπαταρίες ιόντων λιθίου με ένδειξη άστρου είναι εφοδιασμένες με ένα σύστημα προστασίας. Αυτό το σύστημα διακόπτει αυτόματα το ρεύμα στο εργαλείο για να παρατείνεται η διάρκεια ζωής της μπαταρίας. Το εργαλείο θα σταματήσει αυτόματα κατά τη λειτουργία όταν το εργαλείο και/ή η μπαταρία υποστούν τις παρακάτω συνθήκες:

- Υπερφόρτιση:

Το εργαλείο λειτουργεί με τρόπο που προκαλεί την κατανάλωση ασυνήθιστα υψηλής ποσότητας ρεύματος.

Στην περίπτωση αυτή, ελευθερώστε τη σκανδάλη-διακόπτης του εργαλείου και σταματήστε την εφαρμογή που προκάλεσε την υπερφόρτωση του εργαλείου. Στη συνέχεια, τραβήξτε τη σκανδάλη-διακόπτης ξανά για επανεκκίνηση.

Εάν το εργαλείο δεν ξεκινά, η μπαταρία έχει υπερθερμανθεί. Στην περίπτωση αυτή, αφήστε την μπαταρία να κρυώσει πριν τραβήξετε τη σκανδάλη-διακόπτης ξανά.

- Χαμηλή τάση της μπαταρίας:

Η ναπομένουσα ποσότητα ρεύματος της μπαταρίας είναι πολύ χαμηλή και το εργαλείο δεν θα λειτουργήσει. Σε αυτήν την περίπτωση, αφαιρέστε και επαναφορτίστε τη μπαταρία.

Δράση διακόπτη (Εικ. 3)

ΠΡΟΣΟΧΗ:

- Πριν την τοποθέτηση της μπαταρίας στο εργαλείο, πάντοτε να ελέγχετε ότι η σκανδάλη-διακόπτης ενεργοποιείται κανονικά και επιστρέφει στη θέση "OFF" όταν την αφήνετε.

Για να ξεκινήσετε το εργαλείο, απλά τραβήξτε τη σκανδάλη-διακόπτης. Αν αυξήσετε την πίεση στη σκανδάλη-διακόπτης, αυξάνεται η ταχύτητα του εργαλείου. Για να σταματήσετε το εργαλείο, αφήστε τη σκανδάλη-διακόπτης.

Άναμμα της μπροστινής λυχνίας (Εικ. 4)

ΠΡΟΣΟΧΗ:

- Μην κοιτάτε κατευθείαν μέσα στο φως ή στην πηγή του φωτός.

Πιέστε τη σκανδάλη-διακόπτης για να ανάψετε τη λυχνία. Η λυχνία εξακολουθεί να είναι αναμμένη όσο πιέζετε τη σκανδάλη-διακόπτης. Η λυχνία σβήνει 10 έως 15 δευτερόλεπτα αφού αφήσετε τη σκανδάλη.

ΣΗΜΕΙΩΣΗ:

- Χρησιμοποιήστε ένα στεγνό πανί για να σκουπίσετε τη σκόνη από το φακό της λυχνίας. Προσέχετε να μη

γρατσουνίσετε το φακό της λυχνίας, επειδή μπορεί να μειωθεί η ένταση του φωτισμού.

Δράση αναστροφικού (Εικ. 5)

Το εργαλείο αυτό διαθέτει διακόπτη αντιστροφής για να αλλάζετε την κατεύθυνση περιστροφής. Πατήστε το μοχλό του διακόπτη αντιστροφής από την πλευρά Α για δεξιόστροφη περιστροφή ή από την πλευρά Β για αριστερόστροφη περιστροφή.

Όταν ο μοχλός του διακόπτη αντιστροφής βρίσκεται στην ουδέτερη θέση, δεν μπορείτε να πατήσετε τη σκανδάλη-διακόπτης.

ΠΡΟΣΟΧΗ:

- Πριν από τη λειτουργία, να ελέγχετε πάντοτε την κατεύθυνση περιστροφής.
- Να χρησιμοποιείτε το διακόπτη αντιστροφής μόνο όταν το εργαλείο είναι εντελώς ακινητοποιημένο. Αν αλλάξετε την κατεύθυνση περιστροφής πριν ακινητοποιηθεί το εργαλείο, μπορεί να προκληθεί βλάβη στο εργαλείο.
- Όταν δεν χειρίζεστε το εργαλείο, να βάζετε πάντοτε το μοχλό του διακόπτη αντιστροφής στην ουδέτερη θέση.

Αλλαγή ταχύτητας (Εικ. 6)


Για να αλλάξετε την ταχύτητα, σβήστε πρώτα το εργαλείο και κατόπιν σπρώξτε το μοχλό αλλαγής ταχύτητας στην πλευρά "2" για υψηλή ταχύτητα, ή στην πλευρά "1" για χαμηλή ταχύτητα. Πριν από τη λειτουργία, βεβαιωθείτε ότι ο μοχλός αλλαγής ταχύτητας είναι ρυθμισμένος στη σωστή θέση. Να χρησιμοποιείτε τη σωστή ταχύτητα, ανάλογα με την εργασία σας.

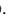
ΠΡΟΣΟΧΗ:


- Να ρυθμίζετε πάντοτε το μοχλό αλλαγής ταχύτητας πλήρως στη σωστή θέση. Αν χειρίζεστε το εργαλείο με το μοχλό αλλαγής ταχύτητας να βρίσκεται μεταξύ των πλευρών "1" και "2", μπορεί να προκληθεί βλάβη στο εργαλείο.
- Μη χρησιμοποιείτε το μοχλό αλλαγής ταχύτητας όταν λειτουργεί το εργαλείο. Μπορεί να προκληθεί βλάβη στο εργαλείο.

Επιλογή του τρόπου δράσης (Εικ. 7)

Το εργαλείο αυτό χρησιμοποιεί ένα δακτύλιο αλλαγής τρόπου δράσης. Επιλέξτε με το δακτύλιο αυτό έναν από τους τρεις τρόπους, ο οποίος είναι κατάλληλος για την εργασία σας.

Για περιστροφή μόνο, στρέψτε το δακτύλιο ώστε το βέλος στο κύριο σώμα του εργαλείου να δείχνει στην ένδειξη  στο δακτύλιο.

Για περιστροφή με κρουστική δράση, στρέψτε το δακτύλιο ώστε το βέλος να δείχνει στην ένδειξη  στο δακτύλιο.

Για περιστροφή με σφικτήρα, στρέψτε το δακτύλιο ώστε το βέλος να δείχνει στην ένδειξη  στο δακτύλιο.

ΠΡΟΣΟΧΗ:

- Να ρυθμίζετε πάντοτε το δακτύλιο σωστά στην ένδειξη για τον τρόπο δράσης που θέλετε. Εάν θέσετε το εργαλείο σε λειτουργία με το δακτύλιο τοποθετημένο μεταξύ των ενδείξεων τρόπου δράσης, μπορεί να προκληθεί βλάβη στο εργαλείο.

Ρύθμιση της ροπής στερέωσης (λειτουργία κατασβιδιού “g”) (Εικ. 8)

Μπορείτε να ρυθμίσετε τη ροπή στερέωσης σε 21 βήματα αν περιστρέψετε το δακτύλιο ρύθμισης με τρόπο ώστε οι διαβαθμίσεις του να ευθυγραμμίζονται με το βέλος στο κύριο σώμα του εργαλείου.

Αρχικά, ολισθήστε το μοχλό αλλαγής τρόπου δράσης στη θέση του συμβόλου g.

Η ροπή στερέωσης είναι η ελάχιστη όταν ο αριθμός 1 είναι ευθυγραμμισμένος με το βέλος, ενώ είναι η μέγιστη όταν η ένδειξη είναι ευθυγραμμισμένη με το βέλος. Ο σφιγκτήρας ολισθαίνει σε διάφορα επίπεδα ροπής όταν τον ρυθμίζετε από τον αριθμό 1 έως τον 21. Πριν από τη λειτουργία, βιδώστε μια δοκιμαστική βίδα στο υλικό σας ή σε ένα κομμάτι πανομοιότυπου υλικού για να καθορίσετε το επίπεδο ροπής που απαιτείται για τη συγκεκριμένη εφαρμογή.




ΣΗΜΕΙΩΣΗ:

- Ο δακτύλιος ρύθμισης δεν κλειδώνει όταν το βέλος είναι τοποθετημένο μεταξύ των διαβαθμίσεων.

Ένδειξη κενού για την εναπομένουσα χωρητικότητα της μπαταρίας (Εικ. 9)

Σταματήστε το εργαλείο και με το εργαλείο σταματημένο πατήστε το κουμπί στον πίνακα διακοπών και θα εμφανιστεί η ένδειξη της εναπομένουσας χωρητικότητας της μπαταρίας.

Η κατάσταση που εμφανίζεται στον πίνακα διακοπών και η εναπομένουσα χωρητικότητα της μπαταρίας φαίνονται στον παρακάτω πίνακα.

Κατάσταση ενδεικτικής λυχνίας	Εναπομένουσα χωρητικότητα μπαταρίας
	Περίπου 50 % ή περισσότερο
	Περίπου 20 % - 50 %
	Περίπου λιγότερο από 20 %

012023

ΣΗΜΕΙΩΣΗ:

- Πριν από τον έλεγχο της εναπομένουσας χωρητικότητας της μπαταρίας, βεβαιωθείτε ότι σταματήσατε το εργαλείο.

ΣΥΝΑΡΜΟΛΟΓΗΣΗ

⚠ ΠΡΟΣΟΧΗ:

- Να βεβαιώνετε πάντοτε ότι έχετε σβήσει το εργαλείο και έχετε βγάλει την κασέτα μπαταρίας πριν εκτελέσετε οποιαδήποτε εργασία σε αυτό.

Τοποθέτηση πλευρικής λαβής (βοηθητική λαβή) (Εικ. 10)

Να χρησιμοποιείτε πάντα την πλαινίη λαβή για να εξασφαλίσετε την ασφάλεια κατά τη λειτουργία.

Τοποθετήστε την πλευρική λαβή έτσι ώστε οι προεξοχές στη βάση λαβής και στον ατσάλινο ιμάντα να προσαρμόζονται ανάμεσα στην εγκοπή στο κύριο τμήμα του εργαλείου. Κατόπιν περιστρέψτε τη λαβή δεξιόστροφα για να τη σφίξετε.

Όταν στρέψετε την πλευρική λαβή, χαλαρώστε και βγάλτε τη λαβή, κατόπιν στρέψτε την λαβή και επανατοποθετήστε την.

Τοποθέτηση ή αφαίρεση της μύτης βιδώματος ή της μύτης τρυπανιού (Εικ. 11)

Στρέψτε το περίβλημα αριστερόστροφα για να ανοίξετε τις σιαγόνες κεφαλής. Τοποθετήστε τη μύτη στην κεφαλή έως το τέρμα. Στρέψτε το περίβλημα δεξιόστροφα για να σφίξετε την κεφαλή. Για να βγάλετε τη μύτη, στρέψτε το περίβλημα αριστερόστροφα.

Τοποθέτηση του στηρίγματος μύτης (Εικ. 12)

Προσαρμόστε το στηρίγμα μύτης μέσα στην προεξοχή στο κάτω μέρος του εργαλείου, στη δεξιά ή την αριστερή πλευρά και ασφαλίστε το με μια βίδα.

Όταν δεν χρησιμοποιείτε τη μύτη βιδώματος, φυλάσσετε τη στα στηρίγματα μύτης. Μπορείτε να φυλάσσετε εκεί μύτες με μήκος 45 mm.

Ρυθμιζόμενη ράβδος βάθους (Εικ. 13)

Η ρυθμιζόμενη ράβδος βάθους χρησιμοποιείται για το τρυπάνισμα οπών με ίδιο βάθος. Χαλαρώστε τη βίδα σύσφιξης, ρυθμίστε τη στη θέση που επιθυμείτε και κατόπιν σφίξτε τη βίδα σύσφιξης.

Γάντζος (Εικ. 14)

Ο γάντζος χρησιμεύει για το προσωρινό κρέμασμα του εργαλείου. Μπορείτε να τον τοποθετήσετε σε οποιαδήποτε πλευρά του εργαλείου.

Για να τοποθετήσετε το γάντζο, βάλτε τον σε μια εγκοπή στο περίβλημα του εργαλείου σε οποιαδήποτε πλευρά του και κατόπιν ασφαλίστε τον με μια βίδα. Για να τον βγάλετε, χαλαρώστε τη βίδα και κατόπιν αφαιρέστε τον.

ΛΕΙΤΟΥΡΓΙΑ (Εικ. 15)

Λειτουργία κρουστικού τρυπανίσματος

⚠ ΠΡΟΣΟΧΗ:

- Ασκείται μια τεράστια και ξαφνική δύναμη στρέψης στο εργαλείο/μύτη τη στιγμή που διαπερνάται η οπή, όταν η οπή βουλώσει με θραύσματα και σωματίδια ή όταν το εργαλείο/μύτη χτυπάει ενισχυτικές ράβδους που είναι ενσωματωμένες στο τσιμέντο. Να χρησιμοποιείτε πάντα την πλαινίη λαβή (βοηθητική χειρολαβή) και, κατά τη λειτουργία, να κρατάτε το εργαλείο καλά από την πλαινίη λαβή και από τη χειρολαβή του διακόπτη. Αν δεν το κάνετε αυτό, μπορεί να έχει ως αποτέλεσμα την απώλεια ελέγχου του εργαλείου και πιθανώς το σοβαρό τραυματισμό.

Αρχικά, ολισθήστε το μοχλό αλλαγής τρόπου δράσης ώστε να δείχνει προς την ένδειξη **7**. Για τη λειτουργία αυτή, μπορείτε να ευθυγραμμίσετε το δακτύλιο ρύθμισης σε οποιοδήποτε επίπεδο ροπήs.

Βεβαιωθείτε ότι χρησιμοποιείτε μύτη με άκρο βολφραμίου-καρβιδίου.

Τοποθετήστε τη μύτη στη θέση που επιθυμείτε να τρυπανίσετε και κατόπιν τραβήξτε τη σκανδάλη-διακόπτης. Μην ασκείτε δύναμη στο εργαλείο. Θα έχετε καλύτερα αποτελέσματα με ελαφριά πίεση. Να διατηρείτε το εργαλείο στη θέση του και να αποφεύγετε την ολισθησή του από την οπή.

Μην ασκείτε περισσότερη πίεση σε περίπτωση που η οπή φράξει με θραύσματα ή σωματίδια. Αντ' αυτού, λειτουργήστε το εργαλείο στο ρελατί και κατόπιν βγάλτε τη μύτη μερικώς από την οπή. Αν επαναλάβετε τη διαδικασία αυτή μερικές φορές, η οπή θα καθαρίσει και θα μπορείτε να συνεχίσετε κανονικά το τρυπάνισμα.

Φυσητήρι (προαιρετικό αξεσουάρ)

(Εικ. 16)

Μετά από το τρυπάνισμα της οπής, χρησιμοποιήστε το φυσητήρι για να καθαρίσετε τη σκόνη από την οπή.

Λειτουργία βιδώματος

Αρχικά, ολισθήστε το μοχλό αλλαγής τρόπου δράσης ώστε να δείχνει προς την ένδειξη **8**. Θέστε το δακτύλιο ρύθμισης στο σωστό επίπεδο ροπήs για την εργασία σας. Κατόπιν, συνεχίστε όπως περιγράφεται στη συνέχεια.

Τοποθετήστε το άκρο της αιχμής βιδώματος στην κεφαλή της βίδας και ασκήστε πίεση στο εργαλείο. Ξεκινήστε αργά το εργαλείο και κατόπιν αυξήστε σταδιακά την ταχύτητα. Αφήστε τη σκανδάλη-διακόπτης μόλις ολισθησει ο σφιγκτήρας.

ΣΗΜΕΙΩΣΗ:

- Βεβαιωθείτε ότι τοποθετήσατε την αιχμή βιδώματος απευθείας στην κεφαλή της βίδας. Διαφορετικά, μπορεί να προκληθεί βλάβη στη βίδα ή/και στην αιχμή.
- Κατά το βιδώμα της ξυλοβίδας, ανοίξτε από πριν με το τρυπάνι μια οπή οδηγό με διάμετρο τα 2/3 της βίδας. Αυτό διευκολύνει το βιδώμα και αποτρέπει τη διάρρηξη του τεμαχίου εργασίας.
- Αν το εργαλείο λειτουργεί συνεχόμενα έως ότου αποφορτιστεί η μπαταρία, αφήστε το εργαλείο σβηστό για 15 λεπτά πριν συνεχίσετε την εργασία με καινούργια μπαταρία.

Λειτουργία τρυπανίσματος

⚠ ΠΡΟΣΟΧΗ:

- Δεν θα επιταχυνθεί το τρυπάνισμα αν πιέζετε υπερβολικά το εργαλείο. Στην πραγματικότητα, αυτή η υπερβολική πίεση απλώς θα προκαλέσει βλάβη στο άκρο της μύτης, θα μειώσει την απόδοση του εργαλείου και θα συντομεύσει την ωφέλιμη διάρκεια ζωής του εργαλείου.
- Ασκεία τεράστια δύναμη στο εργαλείο/μύτη τη στιγμή που διαπερνάει η οπή. Κρατήστε το εργαλείο σταθερά και προσέχετε όταν η μύτη ξεκινήσει να διαπερνάει το τεμάχιο εργασίας.
- Μπορείτε να βγάλετε μια μύτη που έχει εμπλακεί ρυθμίζοντας απλώς το αναστροφικό σε αντίστροφη κατεύθυνση περιστροφής ώστε να αποσυρθεί το

εργαλείο. Όμως, το εργαλείο μπορεί να αποσυρθεί απότομα αν δεν το κρατάτε σταθερά.

- Να στερεώνετε πάντοτε τα μικρά τεμάχια εργασίας σε μέγερνη ή παρόμοια συσκευή.
- Αν το εργαλείο λειτουργεί συνεχόμενα έως ότου αποφορτιστεί η μπαταρία, αφήστε το εργαλείο σβηστό για 15 λεπτά πριν συνεχίσετε την εργασία με καινούργια μπαταρία.

Αρχικά, ολισθήστε το μοχλό αλλαγής τρόπου δράσης ώστε να δείχνει προς την ένδειξη **8**. Για τη λειτουργία αυτή, μπορείτε να ευθυγραμμίσετε το δακτύλιο ρύθμισης σε οποιοδήποτε επίπεδο ροπήs. Κατόπιν, συνεχίστε όπως περιγράφεται στη συνέχεια.

Τρυπάνισμα ξύλου

Όταν τρυπανίζετε σε ξύλο, έχετε καλύτερα αποτελέσματα με μύτες για ξύλο εξοπλισμένες με βίδα οδήγησης. Η βίδα οδήγησης κάνει το τρυπάνισμα πιο εύκολο επειδή τραβάει τη μύτη μέσα στο τεμάχιο εργασίας.

Τρυπάνισμα σε μέταλλο

Για να μην ολισθήσει η μύτη όταν ξεκινάτε τη δημιουργία μιας τρύπας, κάντε ένα κοίλωμα με πόντα και σφυρί στο σημείο όπου θα τρυπανίσετε. Τοποθετήστε τη μύτη στο κοίλωμα και ξεκινήστε το τρυπάνισμα.

Όταν τρυπανίζετε μέταλλα, χρησιμοποιήστε λιπαντικό κοπήs. Εξάιρεση αποτελούν ο σίδηρος και ο χάλυβας που θα πρέπει να τρυπανίζονται στεγνοί.

ΣΥΝΤΗΡΗΣΗ

⚠ ΠΡΟΣΟΧΗ:

- Να βεβαιώναστε πάντοτε ότι έχετε σβήσει το εργαλείο και έχετε βγάλει την μπαταρία πριν εκτελέσετε οποιαδήποτε εργασία ελέγχου ή συντήρησης σε αυτό.
- Μην χρησιμοποιήσετε ποτέ βενζίνη, βενζόλη, διαλυτικό, αλκοόλη ή κάτι παρόμοιο. Μπορεί να προκληθεί αποχρωματισμός, παραμόρφωση ή ρωγμές.

Αλλαγή καρβουνάκιών (Εικ. 17)

Να αντικαθιστάτε τα καρβουνάκια όταν έχουν φθαρεί έως την ένδειξη ορίου. Να διατηρείτε τα καρβουνάκια καθαρά και ελεύθερα για να γλιστρούν στις υποδοχές. Πρέπει να αλλάζετε ταυτόχρονα και τα δύο καρβουνάκια. Να χρησιμοποιείτε μόνο καρβουνάκια ίδιου τύπου.

Με ένα κατσαβίδι, βγάλτε τις δύο βίδες και μετά βγάλτε το πίσω κάλυμμα. (Εικ. 18)

Σηκώστε το τμήμα του βραχίονα του ελατηρίου και κατόπιν τοποθετήστε το στο τμήμα εγκοπής του περιβλήματος με ένα πλακέ, λεπτό κατσαβίδι ή παρόμοιο εργαλείο. (Εικ. 19)

Χρησιμοποιήστε τανάγια για να αφαιρέσετε τα καπάκια για τα καρβουνάκια. Βγάλτε τα φθαρμένα καρβουνάκια, τοποθετήστε τα καινούργια και τοποθετήστε ξανά τα καπάκια για τα καρβουνάκια με αντίστροφη σειρά. (Εικ. 20)

Βεβαιωθείτε ότι τα καπάκια για τα καρβουνάκια εφαρμόζουν καλά μέσα στις σπές στις θήκες των καρβουνάκιών. (Εικ. 21)

Τοποθετήστε ξανά το πίσω κάλυμμα και σφίξτε καλά τις δύο βίδες.

Για να διατηρείται η ΑΣΦΑΛΕΙΑ και η ΑΞΙΟΠΙΣΤΙΑ του προϊόντος, οι εργασίες επισκευής, καθώς και οποιαδήποτε άλλη εργασία συντήρησης ή ρύθμισης, θα

πρέπει να εκτελούνται σε εξουσιοδοτημένα κέντρα εξυπηρέτησης της Makita, και πάντοτε με τη χρήση ανταλλακτικών της Makita.

ΠΡΟΑΙΡΕΤΙΚΑ ΑΞΕΣΟΥΑΡ

ΠΡΟΣΟΧΗ:

- Συνιστάται η χρήση αυτών των αξεσουάρ ή εξαρτημάτων με το εργαλείο της Makita, όπως περιγράφεται στο παρόν εγχειρίδιο. Αν χρησιμοποιήσετε άλλα αξεσουάρ ή εξαρτήματα μπορεί να παρουσιαστεί κίνδυνος για πρόκληση τραυματισμού προσώπων. Να χρησιμοποιείτε τα αξεσουάρ και τα εξαρτήματα μόνο για το σκοπό για τον οποίο προορίζονται.

Αν χρειάζεστε κάποια βοήθεια ή περισσότερες πληροφορίες σχετικά με τα αξεσουάρ αυτά, απευθυνθείτε στο πλησιέστερο κέντρο εξυπηρέτησης της Makita.

- Μύτες τρυπανίσματος
- Μύτες τρυπανίσματος κρουστικού τρυπανιού
- Μύτες βιδώματος
- Φυσητήρι
- Γυαλιά προστασίας
- Αυθεντική μπαταρία και φορτιστής της Makita
- Συναρμολόγηση λαβής
- Ράβδος βάθους
- Γάντζος
- Διάταξη λαστίχινιου βύσματος
- Μάλλινο κάλυμμα
- Αφρώδες βύσμα λείανσης
- Προστατευτικό μπαταρίας

ΣΗΜΕΙΩΣΗ:

- Ορισμένα από τα στοιχεία της λίστα μπορεί να περιέχονται στην συσκευασία του εργαλείου ως κανονικά αξεσουάρ. Αυτά ενδέχεται να διαφέρουν από χώρα σε χώρα.

Θορύβος

ENG905-1

Το σύνθετος σταθμισμένο επίπεδο θορύβου που έχει καθοριστεί σύμφωνα με την EN60745:

Μοντέλο DHP448

Επίπεδο ηχητικής πίεσης (L_{pA}): 82 dB (A)

Επίπεδο ηχητικής ισχύος (L_{WA}): 93 dB (A)

Αβεβαιότητα (K): 3 dB (A)

Μοντέλο DHP448

Επίπεδο ηχητικής πίεσης (L_{pA}): 84 dB (A)

Επίπεδο ηχητικής ισχύος (L_{WA}): 95 dB (A)

Αβεβαιότητα (K): 3 dB (A)

Να φοράτε ωτοασπίδες.

Δόνηση

ENG900-1

Η συνολική τιμή δόνησης (διανυσματικό άθροισμα τριών αξόνων) που έχει καθοριστεί σύμφωνα με την EN60745:

Μοντέλο DHP448

Κατάσταση λειτουργίας: κρουστική διάτρηση σε τσιμέντο

Εκπομπή δόνησης ($a_{h,1D}$): 8,5 m/s²

Αβεβαιότητα (K): 1,5 m/s²

Κατάσταση λειτουργίας: διάτρηση σε μέταλλο

Εκπομπή δόνησης ($a_{h,1D}$): 2,5 m/s² ή λιγότερο

Αβεβαιότητα (K): 1,5 m/s²

Μοντέλο DHP458

Κατάσταση λειτουργίας: κρουστική διάτρηση σε τσιμέντο

Εκπομπή δόνησης ($a_{h,1D}$): 9,5 m/s²

Αβεβαιότητα (K): 1,5 m/s²

Κατάσταση λειτουργίας: διάτρηση σε μέταλλο

Εκπομπή δόνησης ($a_{h,1D}$): 2,5 m/s² ή λιγότερο

Αβεβαιότητα (K): 1,5 m/s²

ENG901-1

- Η δηλωθείσα τιμή των παραγομένων κραδασμών έχει καταμετρηθεί σύμφωνα με την τυποποιημένη μέθοδο δοκιμασίας και μπορεί να χρησιμοποιηθεί για την σύγκριση ενός εργαλείου με ένα άλλο.
- Η δηλωθείσα τιμή των παραγομένων κραδασμών μπορεί επίσης να χρησιμοποιηθεί για μια προκαταρκτική αξιολόγηση της έκθεσης στους κραδασμούς.

ΠΡΟΕΙΔΟΠΟΙΗΣΗ:

- Η εκπομπή κραδασμών κατά τη διάρκεια της πραγματικής χρήσης του ηλεκτρικού εργαλείου μπορεί να διαφέρει από τη δηλωθείσα τιμή των εκπομπών, ανάλογα με τον τρόπο με τον οποίο χρησιμοποιείται το εργαλείο.
- Φροντίστε να λάβετε τα μέτρα ασφαλείας που απαιτούνται για την προστασία του χρήστη που βασίζονται σε μια εκτίμηση της έκθεσης σε πραγματικές συνθήκες χρήσης (λαμβάνοντας υπόψη όλα τα μέρη του κύκλου λειτουργίας, όπως είναι οι περιπτώσεις κατά τις οποίες το εργαλείο είναι απενεργοποιημένο και όταν λειτουργεί στο ρελατί επιπροσθέτως του χρόνου κατά τον οποίο το εργαλείο βρίσκεται σε χρήση).

Για Ευρωπαϊκές χώρες μόνο

ENH101-15

ΕΚ – Δήλωση συμμόρφωσης

Η Εταιρία Makita ως υπεύθυνος κατασκευαστής,

δηλώνει ότι το παρακάτω μηχάνημα ή μηχανήματα της Makita:

Όνομασία μηχανήματος:

Κρουστικό δραπανοκατσάβιδο μπαταρίας

Αρ. Μοντέλου/ Τύπος: DHP448, DHP458

αποτελεί παραγωγή σε σειρά και

Συμμορφώνεται με την ακόλουθη Ευρωπαϊκή Οδηγία:

2006/42/ΕΚ

Και κατασκευάζονται σύμφωνα με τα παρακάτω πρότυπα ή τυποποιημένα έγγραφα:

EN60745

Ο εξουσιοδοτημένος μας αντιπρόσωπος στην Ευρώπη διατηρεί τα τεχνικά έγγραφα, ο οποίος είναι:

Makita International Europe Ltd.

Michigan Drive, Tongwell,

Milton Keynes, Bucks MK15 8JD, England

10. 8. 2011



Tomoyasu Kato

Διευθυντής

Makita Corporation

3-11-8, Sumiyoshi-cho,

Anjo, Aichi, 446-8502, JAPAN

TÜRKÇE (Orijinal talimatlar)

Genel görünüm

1. Kırmızı gösterge	13. LED göstergesi	25. Vida
2. Düğme	14. Yuva	26. Püskürtme balonu
3. Akü	15. Çıkıntı	27. Sınır çizgisi
4. Yıldız işareti	16. Çelik kuşak	28. Arka kapak
5. Açma/kapama düğmesi	17. Kol gövdesi	29. Vidalar
6. Lamba	18. Yan kol	30. Kol
7. Yön değiştirme mandalı	19. Bilezik	31. Yay
8. Hız değiştirme mandalı	20. Uç yuvası	32. Boşluk
9. Çalışma modu değiştirme halkası	21. Uç	33. Karbon fırça kapağı
10. Ok	22. Derinlik çubuğu	34. Delik
11. Ayar halkası	23. Kelepçe vidası	
12. Kademe	24. Kanca	

ÖZELLİKLER

Model	DHP448	DHP458	
Kapasite	Beton delme	14 mm	16 mm
	Çelik delme	13 mm	13 mm
	Ahşap delme	65 mm	76 mm
	Ahşap vidası sıkma	8 mm x 75 mm	10 mm x 90 mm
	Makine vidası sıkma	6 mm	
Yüksüz hız	Yüksek (2)	0 - 1.800 dak ⁻¹	0 - 2.000 dak ⁻¹
	Düşük (1)	0 - 350 dak ⁻¹	0 - 400 dak ⁻¹
Darbe / dakika	Yüksek (2)	0 - 27.000 dak ⁻¹	0 - 30.000 dak ⁻¹
	Düşük (1)	0 - 5.200 dak ⁻¹	0 - 6.000 dak ⁻¹
Toplam uzunluk		225 mm	
Net ağırlık		2,2 kg	2,3 kg
Anma gerilimi		D.C. 14,4 V	D.C. 18 V

- Sürekli yapılan araştırma ve geliştirmelerden dolayı, burada belirtilen özellikler önceden bildirilmeksizin değiştirilebilir.
- Özellikler ve akü ülkeye göre farklılıklar gösterebilir.
- EPTA Prosedürü 01/2003 uyarınca ağırlık (akü dahil)

Amaçlanan kullanım

ENE079-1

Bu makine tuğla, beton ve taş malzemelerin darbeli olarak delinmesi için öngörülmüştür. Ayrıca ahşap, metal, seramik ve plastik malzemelerin vidalanması ve darbesiz olarak delinmesi için de uygundur.

Genel Elektrikli Aletler Güvenlik Uyarıları

GEA010-1

⚠ UYARI Tüm güvenlik uyarılarını ve tüm talimatları okuyun. Verilen uyarılara ve talimatlara uyulmaması elektrik çarpmasına, yangına ve/veya ciddi yaralanmalara yol açabilir.

Tüm uyarıları ve talimatları ilerde başvurmak üzere saklayın.

AKÜLÜ DARBELİ MATKAP TORNAVİDAYLA İLGİLİ GÜVENLİK UYARILARI

GEB056-4

1. **Akülü darbeli matkap tornavidayı kullanırken koruyucu kulaklık takın.** Gürültüye maruz kalınması, işitme kaybına yol açabilir.
2. **Varsa, ürünle birlikte verilen yardımcı tutma kolunu (kollarını) kullanın.** Kontrolü kaybetmeniz, yaralanmanıza neden olabilir.
3. **Kesici parçanın, gömülü elektrik kablolarına temas edebileceği uygulamalarda makineyi yalıtımlı saplarından tutun.** Kesici parçanın elektrik "akımı" bulunan kablolarla temas etmesi halinde "akım", iletken metal parçalar üzerinden operatöre iletilerek, elektrik çarpmasına yol açabilir.
4. **Bağlantı elemanlarının, gömülü elektrik kablolarına temas edebileceği uygulamalarda makineyi yalıtımlı saplarından tutun.** Bağlantı elemanları "akım" geçen bir kabloya temas ettiğinde, üzerindeki metal parçalara da "akım" iletilir ve kullanıcıyı elektrik çarpabilir.

5. Her zaman yere sağlam ve dengeli basın. Yüksek bir yerde çalışıyorsanız, altınızda kimsenin bulunmamasına dikkat edin.
6. Makineyi sıkıca kavrayın.
7. Ellerinizi dönen parçalardan uzak tutun.
8. Makineyi çalışır durumda bırakıp uzaklaşmayın. Makineyi yalnızca sıkıca kavraraken çalıştırın.
9. Çalışmanız biter bitmez makinenin ucuna veya işlediğiniz parçaya dokunmayın. Bunlar aşırı sıcak olabilir ve yanıklara yol açabilir.
10. Bazı maddeler zehirli olabilecek kimyasal maddeler içerebilir. Tozu solumamaya dikkat edin ve cilt temasından kaçının. Malzeme üreticisinin güvenlik uyarılarını dikkate alın.

BU TALİMATLARI SAKLAYIN.

⚠ UYARI:

Ürünü kullanırken defalarca kullanmanın getirdiği rahatlık ve tanıdıklık duygusunun, güvenlik kurallarına sıkı sıkıya bağlı kalmanızı önlemesine İZİN VERMEYİN. YANLIŞ KULLANIM veya bu kullanım kılavuzunda belirtilen güvenlik kurallarına uyulmaması ciddi yaralanmalara neden olabilir.

ÖNEMLİ GÜVENLİK TALİMATLARI

ENC007-7

AKÜ İÇİN

1. Aküyü kullanmaya başlamadan önce (1) akü şarj cihazı, (2) akü ve (3) akünün takıldığı ürüne ilişkin tüm talimatları ve uyarıları okuyun.
2. Aküyü sökmeye çalışmayın.
3. Çalışma süresinde önemli bir kısımla gözlerseniz, hemen çalışmayı bırakın. Bu durum aşırı ısınmaya, yangına ve hatta patlamaya yol açabilir.
4. Elektrolit (akü sıvısı) gözlerinize temas ederse, bol temiz suyla yıkayın ve derhal bir doktora başvurun. Elektrolit körlüğe neden olabilir.
5. Akünün kısa devre yapmasını önleyin:
 - (1) Herhangi bir iletken nesne ile akü uçlarına dokunmayın.
 - (2) Aküyü çivi, madeni para vb. metal nesnelerin bulunduğu bir yerde saklamayın.
 - (3) Aküyü suya veya yağmura maruz bırakmayın. Aküde oluşan kısa devre büyük bir elektrik akımına, aşırı ısınmaya, yangına ve aletin bozulmasına yol açabilir.
6. Aleti ve aküyü 50°C (122°F) sıcaklığa ulaşabilecek veya bu değeri aşabilecek ortamlarda saklamayın.
7. Önemli ölçüde hasar görmüş veya tümüyle tükenmiş olsa da aküyü kesinlikle yakarak imha etmeye çalışmayın. Akü ateşe atıldığında patlayabilir.
8. Akünün düşmemesine ve darbe almamasına dikkat edin.
9. Hasarlı bir aküyü kesinlikle kullanmayın.

BU TALİMATLARI SAKLAYIN.

Akünün öngörülen maksimum ömrü dolana kadar kullanılması için öneriler

1. Aküyü tamamen boşalmasını beklemeden şarj edin. Aletin çalışma gücünde bir azalma gördüğünüzde, mutlaka çalışmayı bırakıp, aküyü şarj edin.
2. Tam olarak şarj edilmiş bir aküyü tekrar şarj etmeyin. Akünün normalden fazla şarj edilmesi ömrünü kısaltır.
3. Aküyü 10°C - 40°C (50°F - 104°F) değerlerini aşmayan oda sıcaklığında şarj edin. Akü ısınmışsa, şarj etmeden önce soğumasını bekleyin.
4. Makineyi uzun bir süre kullanmayacaksınız bile, aküsünü her altı ayda bir şarj edin.

KULLANIMA İLİŞKİN TANIMLAR

⚠ DİKKAT:

- Makine üzerinde ayar veya başka bir kontrol işlemi gerçekleştirmeden önce makinenin kapalı ve aküsünün çıkartılmış olduğundan emin olun.

Akünün takılması ve çıkartılması (Şekil 1)

⚠ DİKKAT:

- Aküyü takmadan ve çıkarmadan önce mutlaka makineyi kapalı konuma getirin. Aküyü çıkarmak için akünün ön tarafında bulunan düğmeye bastırın ve aküyü çekerek makineden çıkartın. Aküyü takmak için aküdeki dili makine yuvasındaki girintiyle aynı hizaya getirin ve aküyü iterek yerine oturmasını sağlayın. Adaptörün tam yerine oturduğunu klik sesinden anlayabilirsiniz. Düğmenin üst tarafında bulunan kırmızı göstergeli görüyorsanız, akü tam olarak kilitlememiştir.

⚠ DİKKAT:

- Kırmızı gösterge tamamen kayboluncaya kadar aküyü itin. Aksi takdirde, akü makineden kayıp düşebilir ve operatörün veya çevredeki kişilerin yaralanmasına neden olabilir.
- Aküyü takarken güç kullanmayın. Akünün makineye rahatça takılmaması, akünün yanlış takıldığını gösterir.

Akü koruma sistemi (Yıldız işaretli lityum akülerde) (Şekil 2)

Yıldız işaretli lityum akülerde koruma sistemi mevcuttur. Bu sistem, akü ömrünü uzatmak için makineye beslenen gücü otomatik olarak keser. Makine ve/veya akü için aşağıda sıralanan durumlardan birinin geçerli olması halinde, çalışmayı otomatik olarak durdurur:

- Aşırı yüklenme:

Makine anormal yüksek akım çekecek şekilde çalışır. Böyle bir durumda, makine üzerindeki açma/kapama düğmesinden elinizi çekin ve makinenin aşırı yüklenmesine neden olan uygulamayı durdurun. Ardından, yeniden başlatmak için açma/kapama düğmesine tekrar basın.

Makine çalışmıyorsa, akü aşırı ısınmıştır. Böyle bir durumda, açma/kapama düğmesine tekrar basmadan önce akünün soğumasını bekleyin.

- Düşük akü gerilimi:
Kalan akü kapasitesi çok düşüktür ve makine çalışmıyordur. Böyle bir durumda, aküyü çıkartın ve şarj edin.

Açma/kapama işlemi (Şekil 3)

⚠ DİKKAT:

- Aküyü makineye takmadan önce, açma/kapama düğmesinin kusursuz çalışıp çalışmadığını ve açma/kapama düğmesi bırakıldığında makinenin "OFF" (kapalı) konuma dönüp dönmediğini kontrol edin.

Makineyi çalıştırmak için açma/kapama düğmesine basmanız yeterlidir. Makinenin hızı, açma/kapama düğmesine uyguladığınız basınç ile doğru orantılı artar. Makineyi durdurmak için parmağınızı açma/kapama düğmesinden çekin.

Ön lambanın açılması (Şekil 4)

⚠ DİKKAT:

- Doğrudan lambaya veya ışık kaynağına bakmayın. Lambanın yanması için açma/kapama düğmesine basın. Lamba, açma/kapama düğmesine basıldığı sürece yanar. Lamba, tetiğin bırakılmasından sonra 10-15 saniye içerisinde söner.

NOT:

- Lambanın lensindeki kiri silmek için kuru bir bez kullanın. Lensin çizilmemesine dikkat edin, aksi takdirde lambanın aydınlatma gücü azalır.

Yön değiştirme işlemi (Şekil 5)

Yön değiştirme mandalını kullanarak makinenin dönme yönünü değiştirebilirsiniz. Dönme hareketinin saat yönünde olması için yön değiştirme mandalına A tarafından bastırın, dönme hareketinin saat yönünün tersine olması için ise yön değiştirme mandalına B tarafından bastırın.

Yön değiştirme mandalının ortada olması durumunda, açma/kapama düğmesi çalışmaz.

⚠ DİKKAT:

- Çalışmaya başlamadan önce dönme yönünü mutlaka kontrol edin.
- Yön değiştirme mandalını yalnızca makine tamamen durduktan sonra kullanın. Makinenin durmadan önce yönünün değiştirilmesi, makineye zarar verebilir.
- Makineyi kullanmadığınız zamanlarda, yön değiştirme mandalını mutlaka orta konuma getirin.

Hız değiştirme (Şekil 6)

Hızı değiştirmek için önce makineyi kapatın ve ardından hız değiştirme mandalını yüksek hız için "2" konumuna ve düşük hız için "1" konumuna getirin. Makineyi çalıştırmadan önce hız değiştirme mandalının doğru konuma getirildiğinden emin olun. Yaptığınız işe uygun hızı kullanın.

⚠ DİKKAT:

- Hız değiştirme mandalının tam olarak doğru konuma getirildiğinden emin olun. Makineyi, hız değiştirme

mandalı "1" ve "2" arasında bir konumdayken çalıştırırsanız makine bozulabilir.

- Makine çalışır durumdayken hız değiştirme mandalını kullanmayın. Aksi takdirde, makine hasar görebilir.

Çalışma modunun seçilmesi (Şekil 7)

Bu makinede bir çalışma modu değiştirme halkası bulunmaktadır. Bu halkayı kullanarak üç moddan çalışma ihtiyacınıza en uygun olanı seçin.

Sadece döndürme işlemi için makine üzerindeki ok, halka üzerindeki ⚙ işareti ile aynı hizaya gelene kadar halkayı çevirin.

Darbeli döndürme işlemi için makine üzerindeki ok, halka üzerindeki ⚙ işareti ile aynı hizaya gelene kadar halkayı çevirin.

Vidalama ile döndürme işlemi için makine üzerindeki ok, halka üzerindeki ⚙ işareti ile aynı hizaya gelene kadar halkayı çevirin.

⚠ DİKKAT:

- Her zaman halkayı istediğiniz mod işaretine doğru şekilde ayarlayın. Halka, mod işaretleri arasındayken makineyi kullanmanız durumunda makine hasar görebilir.

Sıkma torkunun ayarlanması (tornavida modu "⚙") (Şekil 8)

Sıkma torkunu, ayar halkasını çevirip makine üzerindeki ibre ile aynı hizaya getirerek 21 kademede ayarlayabilirsiniz.

Çalışma modu değiştirme düğmesini ⚙ simgesine getirin. 1 rakamı ibre ile aynı hizaya getirildiğinde sıkma torku minimum düzeyde, işaret ibre ile aynı hizaya getirildiğinde ise sıkma torku maksimum düzeydedir. Kavrama, 1 ile 21 arasında bir rakama getirilerek çeşitli tork seviyelerine ayarlanabilir. Gerçek çalışmaya başlamadan önce, uygulamanız için gerekli tork seviyesini belirlemek için malzemenize veya muadili bir malzemeye bir deneme vidası vidalayın.




NOT:

- İbre belirli bir kademeye tam olarak ayarlanmadığı sürece ayarlama halkası kilitlenmez.

Kalan akü kapasitesi için boş sinyal (Şekil 9)

Makineyi durdurun ve makine bu konumdayken anahtar paneli üzerindeki düğmeye basın; kalan akü kapasitesi panel üzerinde görüntülenir.

Anahtar paneli üzerinde görüntülenen durum ve kalan akü kapasitesi aşağıdaki tabloda gösterilmiştir.

LED göstergesi durumu	Kalan akü kapasitesi
	Yaklaşık % 50 ve üzeri
	Yaklaşık % 20 - % 50
	Yaklaşık % 20'nin altında

012023

NOT:

- Kalan akü kapasitesini kontrol etmeye başlamadan önce, makinenin durdurulduğundan emin olun.

MONTAJ

⚠ DİKKAT:

- Makine üzerinde herhangi bir işlem yapmadan önce makinenin kapalı ve aküsünün çıkartılmış olduğundan emin olun.

Yan kolun (yardımcı sapın) takılması (Şekil 10)

Çalışma güvenliğini sağlamak için her zaman yan kol kullanın.

Yan kolu, kol gövdesi üzerindeki dişler ve çelik kuşak makine gövdesi üzerinde bulunan çıkıntılar arasına gelecek şekilde takın. Ardından sapı saat yönünde çevirerek sıkıştırın.

Yan kolu döndürerek gevşettikten sonra çıkartın, istediğiniz şekilde çevirin ve ardından geri yerine takın.

Vidalama ve matkap uçlarının takılması ve sökülmesi (Şekil 11)

Mandren ağzını açmak için bileziği saat yönünün tersine çevirin. Ucu mandren ağzına tam oturacak şekilde yerleştirin. Mandren ağzını sıkamak için bileziği saat yönünde çevirin. Ucu çıkarmak için bileziği saat yönünün tersine çevirin.

Uç yuvasının takılması (Şekil 12)

Uç yuvasını, makinenin ayak kısmında sağ veya sol tarafta bulunan çıkıntıya yerleştirin ve bir vida ile sabitleyin. Uçları kullanmadığınız zaman, uç yuvasında muhafaza edin. 45 mm'ye kadar olan uçlar burada muhafaza edilebilir.

Ayarlanabilir derinlik çubuğu (Şekil 13)

Eşit derinlikte delikler delinmesi için ayarlanabilir derinlik çubuğu kullanılır. Kelepçe vidasını gevşetin, istediğiniz konuma ayarlayın ve ardından kelepçe vidasını geri sıkın.

Kanca (Şekil 14)

Kanca, makinenin kısa süreli asılması için kullanılabilir. Kanca makinenin her iki tarafına da takılabilir.

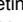
Kancayı takmak için, makine gövdesinin her iki tarafında bulunan yuvalardan birine kancayı yerleştirin ve vidayla sabitleyin. Kancayı çıkartmak için vidayı gevşetin ve kancayı çekerek çıkartın.

ÇALIŞTIRMA (Şekil 15)

Darbeli delme işlemi

⚠ DİKKAT:

- Delik, kırıntı ve parçalarla tıklandığında veya uç, beton içerisindeki demirlere rastlandığında, delme işlemi sırasında makine/uç üzerine çok büyük ve ani bir bükme gücü uygulanır. Her zaman yan kolu (yardımcı sap) kullanın ve kullanım esnasında makineyi hem yan koldan hem de kullanım sapından sıkı şekilde tutun. Aksi takdirde, makinenin kontrolü kaybedilebilir ve ciddi yaralanmalar meydana gelebilir.

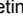
Önce çalışma modu değiştirme düğmesini  işaretini gösterecek şekilde kaydırın. Bu işlem için ayarlama halkası, herhangi bir tork seviyesi ile aynı hizaya getirilebilir.

Tungsten karbür kaplı uç kullanıldığından emin olun. Ucu, delik açmak istediğiniz noktaya getirin ve açma/kapama düğmesine basın. Makineyi zorlamayın. Hafif basınç uygulamak en iyi sonucu verir. Makineyi delik açılacak yerde tutun ve delikten kaymasına engel olun. Delik, kırıntı veya parçalarla tıklandığında makineye daha fazla basınç uygulamayın. Bunun yerine makineyi boşta çalıştırın ve delikten çıkarın. Bunu birkaç kez tekrarladıktan sonra delik temizlenir ve delme işlemine tekrar devam edebilirsiniz.

Püskürtme balonu (opsiyonel aksesuar) (Şekil 16)

Deligi açtıktan sonra delik içerisinde biriken tozu dışarı püskürtmek için püskürtme balonunu kullanın.

Vidalama işlemi

Önce çalışma modu değiştirme düğmesini  işaretini gösterecek şekilde kaydırın. Ayar halkasını çalışmanız için uygun bir tork seviyesine getirin. Ardından, aşağıdaki işlemleri uygulayın.

Vidalama ucunu sıkılacak vida başına yerleştirin ve makineye basınç uygulayın. Makineyi önce düşük hızda çalıştırın ve hızı giderek artırın. Mandren frenlendiği anda açma/kapama düğmesini bırakın.

NOT:

- Vidalama ucunun vida başına dik şekilde oturttuğunuzdan emin olun. Aksi takdirde, vida ve/veya vidalama ucu hasar görebilir.
- Ağaç vidası vidalarken, önceden vida çapının 2/3'ü genişliğinde bir pilot delik delin. Bu, vidalama işlemi kolaylaştırır ve işparçasının yanılmasını önler.
- Makineyi, aküsü boşalana kadar sürekli çalıştırdığınız durumlarda, yeni bir aküyle çalışmaya devam etmeden önce makinenin 15 dakika soğumasına izin verin.


Delme işlemi

⚠ DİKKAT:

- Makine üzerine aşırı derecede bastırmak delme işlemini hızlandırmaz. Aşırı derecede basınç

uygulamak ancak ucun hasar görmesine, makine performansının düşmesine ve ömrünün kısalmasına yol açar.

- Delme sırasında makine/uç üzerine çok büyük bir güç uygulanır. Makineyi sıkıca kavrayın ve özellikle uç, malzemenin diğer tarafından çıkmak üzereyken dikkatli olun.
- Ucun malzemede sıkışması durumunda ucun dönme yönünü yön değiştirme mandalı ile değiştirerek bu durumdan kurtulabilirsiniz. Ancak makineyi sıkı bir şekilde tutmazsanız, makine aniden geri tepebilir.
- Küçük iş parçalarını daima mengene veya benzeri bir aletle sağlam bir şekilde sabitleyin.
- Makine, akü bitene kadar sürekli olarak çalıştırılmışsa, dolu bir akü ile yeniden çalişmaya başlamadan önce 15 dakika kadar bekeyin.

Önce çalışma modu değiştirme düğmesini  işaretini gösterecek şekilde kaydırın. Bu işlem için ayarlama halkası, herhangi bir tork seviyesi ile aynı hızaya getirilebilir. Ardından, aşağıdaki işlemleri uygulayın.

Ahşap delme

Ahşap malzemelere uygulanan delme işlemlerinde en iyi sonuç, kılavuz vidalı ağaç delme uçlarıyla elde edilir. Kılavuz vida, ucu, çalışma parçasına çekerek delme işlemini kolaylaştırır.

Metal delme

Delmeye başlarken ucun kaymasını önlemek için öncelikle sivri bir keski ve çekiç kullanarak delinecek yerde bir girinti oluşturun. Delme ucunu bu girintiye yerleştirin ve delme işlemine başlayın.

Metal delme işlemlerinde kesme yağı kullanın. Ancak, demir ve pirinç istisnadır ve kuru delinmelidir.

BAKIM

DİKKAT:

- Makinede herhangi bir kontrol veya bakım işlemine başlamadan önce makinenin kapalı ve aküsünün çıkartılmış olduğundan emin olun.
- Kesinlikle gazolin, benzin, tiner, alkol veya benzeri bir madde kullanmayın. Aksi takdirde renk bozulması, deformasyon veya çatlaklar meydana gelebilir.

Karbon fırçaların değiştirilmesi (Şekil 17)

Sınır çizgisine kadar aşınan karbon fırçaları değiştirin. Karbon fırçaları yuvanın içinde kayabileceği şekilde temiz tutun. Her iki karbon fırça aynı anda değiştirilmelidir. Aşınan karbon fırçaları mutlaka aynı tipte fırçalar ile değiştirin.

Tornavida kullanarak iki vidayı sökün ve ardından arka kapağı çıkarın. (Şekil 18)

Yayın kol kısmını ince bir tornavida, mil veya benzeri bir araçla kaldırın ve gövdenin şekilde gösterilen boşluğuna yerleştirin. (Şekil 19)

Kargaburnu pense kullanarak, karbon fırçalardaki karbon fırça kapaklarını çıkarın. Aşınmış karbon fırçaları çıkartın ve yenilerini taktıktan sonra karbon fırça kapaklarını tekrar yerine yerleştirin ve aynı işlemleri ters sırayla uygulayın. (Şekil 20)

Karbon fırça kapaklarının fırça yuvalarındaki deliklere tam olarak yerleştirdiğinden emin olun. (Şekil 21)

Arka kapağı takın ve her iki vidayı sağlam şekilde sıkın.

Ürünün EMNİYETLİ ve GÜVENİLİR durumda kalmasını sağlamak için tüm onarımlar, bakım ve ayarlar Makita yetkili servisleri veya fabrika servis merkezleri tarafından Makita yedek parçaları kullanılarak yapılmalıdır.

OPSİYONEL AKSESUARLAR

DİKKAT:

- Bu kullanım kılavuzunda tanıtılan Makita marka makineyle aşağıdaki aksesuarların ve parçaların kullanılması önerilir. Bunların dışında başka aksesuarların veya parçaların kullanılması yaralanmalara yol açabilir. Aksesuarlar ve parçalar doğru şekilde ve öngörüldükleri işlevler için kullanılmalıdır.

Aksesuarlara ilişkin daha ayrıntılı bilgi almak için size en yakın yetkili Makita servisine başvurabilirsiniz.

- Matkap uçları
- Darbeli matkap uçları
- Vidalama uçları
- Püskürtme balonu
- Koruyucu gözlük
- Orijinal Makita akü ve şarj cihazı
- Kol grubu
- Derinlik çubuğu
- Kanca
- Lastik ped tertibatı
- Yün kılıf
- Köpük parlatma pedi
- Akü koruyucu

NOT:

- Listedeki bazı parçalar makineyle birlikte standart aksesuar olarak verilebilir. Ürünle verilen aksesuarlar ülkeden ülkeye farklılıklar gösterebilir.

Gürültü

ENG905-1

EN60745 uyarınca belirlenen tipik A ağırlıklı gürültü seviyesi:

DHP448 Modeli

Ses basıncı seviyesi (L_{pA}): 82 dB (A)
Ses gücü seviyesi (L_{WA}): 93 dB (A)
Belirsizlik (K): 3 dB (A)

DHP458 Modeli

Ses basıncı seviyesi (L_{pA}): 84 dB (A)
Ses gücü seviyesi (L_{WA}): 95 dB (A)
Belirsizlik (K): 3 dB (A)

Koruyucu kulaklık takın.

Titreşim

ENG900-1

EN60745'e göre belirlenen toplam titreşim değeri (üç eksenli vektörel toplam):

DHP448 Modeli

Çalışma modu : darbeli beton delme
Titreşim emisyonu ($a_{sa,D}$): 8,5 m/s²
Belirsizlik (K): 1,5 m/s²

Çalışma modu : metal delme

Titreşim emisyonu ($a_{sa,D}$): 2,5 m/s² veya daha düşük
Belirsizlik (K): 1,5 m/s²

DHP458 Modeli

Çalışma modu : darbeli beton delme
Titreşim emisyonu ($a_{sa,D}$): 9,5 m/s²
Belirsizlik (K): 1,5 m/s²

Çalışma modu : metal delme
Titreşim emisyonu (a_{saD}): 2,5 m/s² veya daha düşük
Belirsizlik (K): 1,5 m/s²

ENG901-1

- Belirtilen titreşim emisyonu değeri, standart test yöntemine göre ölçülmüştür ve makinenin diğer makinelerle karşılaştırılması için kullanılabilir.
- Belirtilen titreşim emisyonu değeri ayrıca maruziyetin ön değerlendirilmesinde de kullanılabilir.

⚠ UYARI:

- Elektrikli aletin gerçek kullanımı sırasında ortaya çıkacak titreşim emisyonu, aletin kullanıma şekline bağlı olarak belirtilen emisyon değerinden farklı olabilir.
- Gerçek kullanım koşullarındaki maruziyeti tahmin ederek (örneğin, aletin açılma süresine ek olarak kapalı konuma getirildiği ve rölatide çalıştığı süreler gibi çalışma döngüsünün tüm bileşenlerini dikkate alın), kullanıcıyı korumak için gerekli güvenlik önlemlerinin alındığından emin olun.

Yalnızca Avrupa ülkeleri için

ENH101-15

AT Uygunluk Beyanı

**Makita Corporation, sorumlu üretici firma olarak,
Makita marka makine/makineler ile ilgili şu hususları beyan eder:**

Makinenin Adı:
Akülü Darbeli Matkap Tornavida
Model Numarası / Tipi: DHP448 ve DHP458 Modeli
seri üretimdir ve

Şu Avrupa Yönergelerine uygundur:

2006/42/EC

Ve şu standartlara veya standartlaştırılmış belgelere uygun olarak üretilmiştir:

EN60745

Teknik dokümanlar aşağıda bilgileri verilen Avrupa'daki yetkili temsilcimiz tarafından saklanmaktadır:

Makita International Europe Ltd.
Michigan Drive, Tongwell,
Milton Keynes, Bucks MK15 8JD, İngiltere

10. 8. 2011



Tomoyasu Kato
Müdür
Makita Corporation
3-11-8, Sumiyoshi-cho,
Anjo, Aichi, 446-8502, JAPAN

Makita Corporation
Anjo, Aichi, Japan

www.makita.com

885234-991

ALA