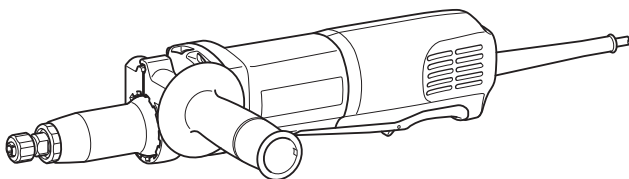
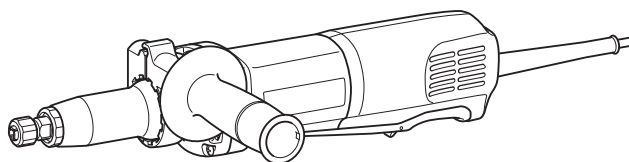
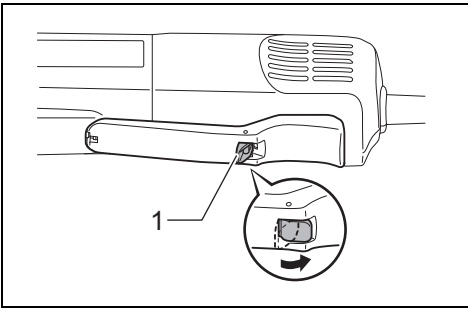




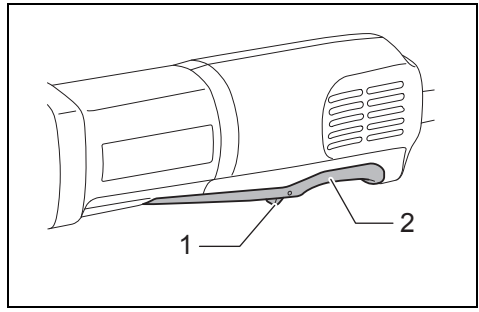
<b>GB</b>	<b>Die Grinder</b>	<b>Instruction Manual</b>
<b>F</b>	<b>Meuleuse droite</b>	<b>Manuel d'instructions</b>
<b>D</b>	<b>Geradschleifer</b>	<b>Betriebsanleitung</b>
<b>I</b>	<b>Smerigliatrice diritta</b>	<b>Istruzioni per l'uso</b>
<b>NL</b>	<b>Stempelslijpmachine</b>	<b>Gebruiksaanwijzing</b>
<b>E</b>	<b>Rectificador</b>	<b>Manual de instrucciones</b>
<b>P</b>	<b>Retificadeira</b>	<b>Manual de instruções</b>
<b>DK</b>	<b>Ligesliber</b>	<b>Brugsanvisning</b>
<b>GR</b>	<b>Λειαντής</b>	<b>Οδηγίες χρήσεως</b>
<b>TR</b>	<b>Kalp taşlama makinası</b>	<b>Kullanma kılavuzu</b>

**GD0801C**  
**GD0811C**



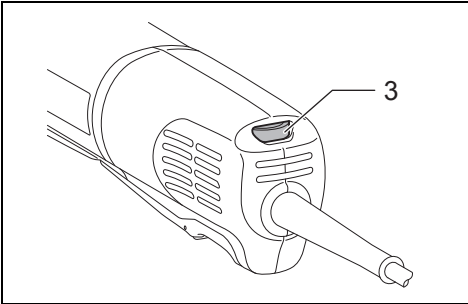


015004

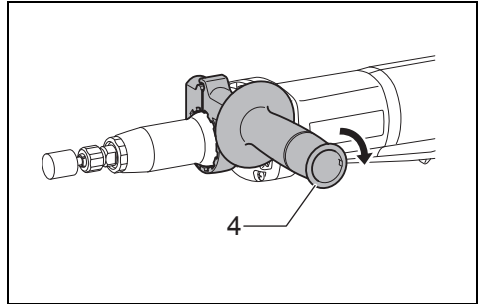


2

015009

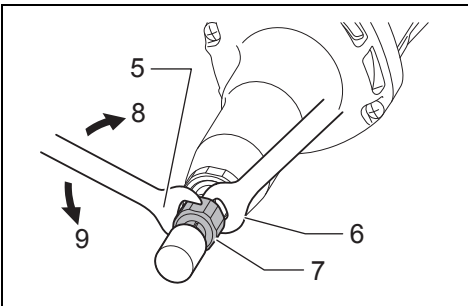


015005

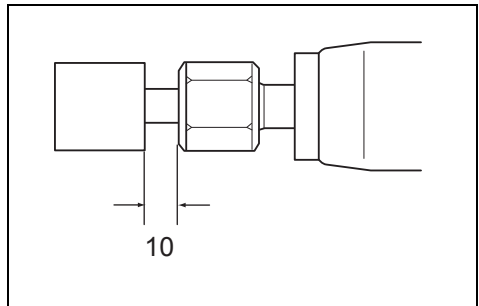


4

015006

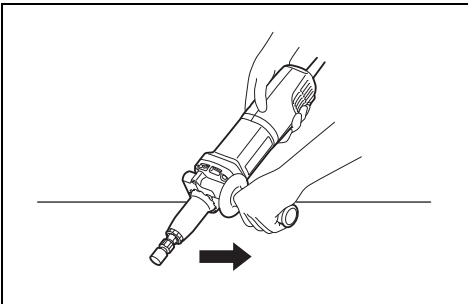


015007



6

003495



015008

**Explanation of general view**

1 Lock-off lever	5 Wrench 19	9 Loosen
2 Switch lever	6 Wrench 13	10 8 mm (5/16") Max.
3 Speed adjusting dial	7 Collet nut	
4 Side handle	8 Tighten	

**SPECIFICATIONS**

Model		GD0801C	GD0811C
Collet size		Max. 8 mm	Max. 8 mm
Max. wheel point diameter	Max. wheel diameter	25 mm	50 mm
	Max. mandrel (shank) length	40 mm	40 mm
Rated speed (n) / No load speed (n <sub>0</sub> )		29,000 min <sup>-1</sup>	7,000 min <sup>-1</sup>
Overall length		390 mm	390 mm
Net weight		2.0 kg	2.0 kg
Safety class		II/III	

- Due to our continuing program of research and development, the specifications herein are subject to change without notice.
- Specifications may differ from country to country.
- Weight according to EPTA-Procedure 01/2003

ENE050-1

**Intended use**

The tool is intended for grinding ferrous materials or deburring castings.

ENF002-2

**Power supply**

The tool should be connected only to a power supply of the same voltage as indicated on the nameplate, and can only be operated on single-phase AC supply. They are double-insulated and can, therefore, also be used from sockets without earth wire.

GEA010-1

**General Power Tool Safety Warnings**

**⚠ WARNING** Read all safety warnings and all instructions. Failure to follow the warnings and instructions may result in electric shock, fire and/or serious injury.

**Save all warnings and instructions for future reference.**

GEB034-9

**DIE GRINDER SAFETY WARNINGS**

**Safety Warnings Common for Grinding Operation:**

1. This power tool is intended to function as a grinder. Read all safety warnings, instructions, illustrations and specifications provided with this power tool. Failure to follow all instructions listed below may result in electric shock, fire and/or serious injury.

2. **Operations such as sanding, wire brushing, polishing or cutting-off are not recommended to be performed with this power tool.** Operations for which the power tool was not designed may create a hazard and cause personal injury.
3. **Do not use accessories which are not specifically designed and recommended by the tool manufacturer.** Just because the accessory can be attached to your power tool, it does not assure safe operation.
4. **The rated speed of the accessory must be at least equal to the maximum speed marked on the power tool.** Accessories running faster than their rated speed can break and fly apart.
5. **The outside diameter and the thickness of your accessory must be within the capacity rating of your power tool.** Incorrectly sized accessories cannot be adequately controlled.
6. **The arbour size of accessories must properly fit the collet of the power tool.** Accessories that do not match the mounting hardware of the power tool will run out of balance, vibrate excessively and may cause loss of control.
7. **Mandrel mounted accessories must be fully inserted into the collet or chuck.** If the mandrel is insufficiently held and/or the overhang of the wheel is too long, the mounted accessory may become loose and be ejected at high velocity.
8. **Do not use a damaged accessory. Before each use inspect the accessory such as abrasive wheels for chips and cracks. If power tool or accessory is dropped, inspect for damage or install an undamaged accessory. After inspecting and installing an accessory, position yourself and bystanders away from the plane of the rotating accessory and run the power tool at maximum no-load speed for one minute.** Damaged accessories will normally break apart during this test time.

9. **Wear personal protective equipment. Depending on application, use face shield, safety goggles or safety glasses. As appropriate, wear dust mask, hearing protectors, gloves and workshop apron capable of stopping small abrasive or workpiece fragments.** The eye protection must be capable of stopping flying debris generated by various operations. The dust mask or respirator must be capable of filtering particles generated by your operation. Prolonged exposure to high intensity noise may cause hearing loss.
10. **Keep bystanders a safe distance away from work area. Anyone entering the work area must wear personal protective equipment.** Fragments of workpiece or of a broken accessory may fly away and cause injury beyond immediate area of operation.
11. **Hold power tool by insulated gripping surfaces only, when performing an operation where the cutting accessory may contact hidden wiring or its own cord.** Cutting accessory contacting a "live" wire may make exposed metal parts of the power tool "live" and could give the operator an electric shock.
12. **Always hold the tool firmly in your hand(s) during the start-up.** The reaction torque of the motor, as it accelerates to full speed, can cause the tool to twist.
13. **Use clamps to support workpiece whenever practical. Never hold a small workpiece in one hand and the tool in the other hand while in use.** Clamping a small workpiece allows you to use your hand(s) to control the tool. Round material such as dowel rods, pipes or tubing have a tendency to roll while being cut, and may cause the bit to bind or jump toward you.
14. **Position the cord clear of the spinning accessory.** If you lose control, the cord may be cut or snagged and your hand or arm may be pulled into the spinning accessory.
15. **Never lay the power tool down until the accessory has come to a complete stop.** The spinning accessory may grab the surface and pull the power tool out of your control.
16. **After changing the bits or making any adjustments, make sure the collet nut, chuck or any other adjustment devices are securely tightened.** Loose adjustment devices can unexpectedly shift, causing loss of control, loose rotating components will be violently thrown.
17. **Do not run the power tool while carrying it at your side.** Accidental contact with the spinning accessory could snag your clothing, pulling the accessory into your body.
18. **Regularly clean the power tool's air vents.** The motor's fan will draw the dust inside the housing and excessive accumulation of powdered metal may cause electrical hazards.
19. **Do not operate the power tool near flammable materials.** Sparks could ignite these materials.
20. **Do not use accessories that require liquid coolants.** Using water or other liquid coolants may result in electrocution or shock.

### Kickback and Related Warnings

Kickback is a sudden reaction to a pinched or snagged rotating accessory. Pinching or snagging causes rapid stalling of the rotating accessory which in turn causes the uncontrolled power tool to be forced in the direction opposite of the accessory's rotation.

For example, if an abrasive wheel is snagged or pinched by the workpiece, the edge of the wheel that is entering into the pinch point can dig into the surface of the material causing the wheel to climb out or kick out. The wheel may either jump toward or away from the operator, depending on direction of the wheel's movement at the point of pinching. Abrasive wheels may also break under these conditions.

Kickback is the result of power tool misuse and/or incorrect operating procedures or conditions and can be avoided by taking proper precautions as given below.

- a) **Maintain a firm grip on the power tool and position your body and arm to allow you to resist kickback forces.** The operator can control kickback forces, if proper precautions are taken.
- b) **Use special care when working corners, sharp edges etc. Avoid bouncing and snagging the accessory.** Corners, sharp edges or bouncing have a tendency to snag the rotating accessory and cause loss of control or kickback.
- c) **Do not attach a toothed saw blade.** Such blades create frequent kickback and loss of control.
- d) **Always feed the bit into the material in the same direction as the cutting edge is exiting from the material (which is the same direction as the chips are thrown).** Feeding the tool in the wrong direction causes the cutting edge of the bit to climb out of the work and pull the tool in the direction of this feed.

### Safety Warnings Specific for Grinding:

- a) **Use only wheel types that are recommended for your power tool and only for recommended applications.**
- b) **Do not position your hand in line with and behind the rotating wheel.** When the wheel, at the point of operation, is moving away from your hand, the possible kickback may propel the spinning wheel and the power tool directly at you.

### Additional Safety Warnings:

21. **The tool is intended for use with bonded abrasive wheel points (grinding stones) permanently mounted on plain, unthreaded mandrel (shanks).**
22. **Make sure the wheel is not contacting the workpiece before the switch is turned on.**
23. **Before using the tool on an actual workpiece, let it run for a while. Watch for vibration or wobbling that could indicate poor installation or a poorly balanced wheel.**
24. **Use the specified surface of the wheel to perform the grinding.**
25. **Watch out for flying sparks. Hold the tool so that sparks fly away from you and other persons or flammable materials.**
26. **Do not leave the tool running. Operate the tool only when hand-held.**

27. **Do not touch the workpiece immediately after operation; it may be extremely hot and could burn your skin.**
28. **Observe the instructions of the manufacturer for correct mounting and use of wheels. Handle and store wheels with care.**
29. **Check that the workpiece is properly supported.**
30. **If working place is extremely hot and humid, or badly polluted by conductive dust, use a short-circuit breaker (30 mA) to assure operator safety.**
31. **Do not use the tool on any materials containing asbestos.**
32. **Always be sure you have a firm footing. Be sure no one is below when using the tool in high locations.**

## SAVE THESE INSTRUCTIONS.

### WARNING:

**DO NOT let comfort or familiarity with product (gained from repeated use) replace strict adherence to safety rules for the subject product. MISUSE or failure to follow the safety rules stated in this instruction manual may cause serious personal injury.**

## FUNCTIONAL DESCRIPTION

### CAUTION:

- Always be sure that the tool is switched off and unplugged before adjusting or checking function on the tool.

### Switch action (Fig. 1 & 2)

#### CAUTION:

- Before plugging in the tool, always check to see that the switch lever actuates properly and returns to the "OFF" position when released.
- Do not pull the switch lever forcibly without pulling in the lock-off lever. This may cause switch breakage.

To prevent the switch lever from accidentally pulled, a lock-off lever is provided.

To start the tool, pull the lock-off lever toward the operator and then pull the switch lever. Release the switch lever to stop.

### Speed adjusting dial (Fig. 3)

The tool speed can be changed by turning the speed adjusting dial to a given number setting from 1 to 5.

Higher speed is obtained when the dial is turned in the direction of number 5. And lower speed is obtained when it is turned in the direction of number 1.

Refer to the table for the relationship between the number settings on the dial and the approximate tool speed.

	GD0801C	GD0811C
Number	min <sup>-1</sup> (RPM)	min <sup>-1</sup> (RPM)
1 – 2	7,000 – 10,000	1,800 – 2,400
2 – 3	10,000 – 17,000	2,400 – 4,100
3 – 4	17,000 – 24,000	4,100 – 5,800
4 – 5	24,000 – 29,000	5,800 – 7,000

014992

### CAUTION:

- If the tool is operated continuously at low speeds for a long time, the motor will get overloaded, resulting in tool malfunction.
- The speed adjusting dial can be turned only as far as 5 and back to 1. Do not force it past 5 or 1, or the speed adjusting function may no longer work.

## ASSEMBLY

### CAUTION:

- Always be sure that the tool is switched off and unplugged before carrying out any work on the tool.

### Installing the side handle (Fig. 4)

Always use the side handle to ensure operating safety. Install the side handle on the tool barrel, then tighten the handle by turning clockwise at the desired position.

### Installing or removing wheel point (Fig. 5 & 6)

Loosen the collet nut and insert the wheel point into the collet nut. Use the smaller wrench to hold the spindle and the larger one to tighten the collet nut securely.

The wheel point should not be mounted more than 8 mm from the collet nut. Exceeding this distance could cause vibration or a broken shaft.

To remove the wheel point, follow the installation procedure in reverse.

### CAUTION:

- Use the correct size collet cone for the wheel point which you intend to use.

## OPERATION

### CAUTION:

- Always hold the tool firmly with one hand on housing and the other on the side handle.
- Apply light pressure on the tool. Excessive pressure on the tool will only cause a poor finish and overloading of the motor.

Turn the tool on without the wheel point making any contact with the workpiece and wait until the wheel point attains full speed. Then apply the wheel point to the workpiece gently. To obtain a good finish, move the tool in the leftward direction slowly.

## MAINTENANCE

### CAUTION:

- Always be sure that the tool is switched off and unplugged before attempting to perform inspection or maintenance.
- Never use gasoline, benzene, thinner, alcohol or the like. Discoloration, deformation or cracks may result.

To maintain product SAFETY and RELIABILITY, repairs, carbon brush inspection and replacement, any other maintenance or adjustment should be performed by Makita Authorized Service Centers, always using Makita replacement parts.

## OPTIONAL ACCESSORIES

ENH101-18

### CAUTION:

- These accessories or attachments are recommended for use with your Makita tool specified in this manual. The use of any other accessories or attachments might present a risk of injury to persons. Only use accessory or attachment for its stated purpose.

If you need any assistance for more details regarding these accessories, ask your local Makita Service Center.

- Wheel points
- Collet cone set (3 mm, 6 mm, 8 mm, 1/4", 1/8")
- Vise holder
- Wrench 13
- Wrench 19
- Side handle set

### NOTE:

- Some items in the list may be included in the tool package as standard accessories. They may differ from country to country.

ENG905-1

### Noise

The typical A-weighted noise level determined according to EN60745:

#### Model GD0801C

Sound pressure level ( $L_{pA}$ ): 80 dB (A)

Sound power level ( $L_{WA}$ ): 91 dB (A)

Uncertainty (K): 3 dB (A)

#### Model GD0811C

Sound pressure level ( $L_{pA}$ ): 78 dB (A)

Uncertainty (K): 3 dB (A)

The noise level under working may exceed 80 dB (A).

### Wear ear protection

ENG900-1

### Vibration

The vibration total value (tri-axial vector sum) determined according to EN60745:

#### Model GD0801C

Work mode: surface grinding

Vibration emission ( $a_h$ ): 3.5 m/s<sup>2</sup>

Uncertainty (K): 1.5 m/s<sup>2</sup>

#### Model GD0811C

Work mode: surface grinding

Vibration emission ( $a_h$ ): 2.5 m/s<sup>2</sup> or less

Uncertainty (K): 1.5 m/s<sup>2</sup>

ENG901-1

- The declared vibration emission value has been measured in accordance with the standard test method and may be used for comparing one tool with another.
- The declared vibration emission value may also be used in a preliminary assessment of exposure.

### WARNING:

- The vibration emission during actual use of the power tool can differ from the declared emission value depending on the ways in which the tool is used.
- Be sure to identify safety measures to protect the operator that are based on an estimation of exposure in the actual conditions of use (taking account of all parts of the operating cycle such as the times when the tool is switched off and when it is running idle in addition to the trigger time).

### For European countries only

### EC Declaration of Conformity

#### Makita declares that the following Machine(s):

Designation of Machine:

Die Grinder

Model No./ Type: GD0801C, GD0811C

#### Conforms to the following European Directives:

2006/42/EC

They are manufactured in accordance with the following standard or standardized documents:

EN60745

The technical file in accordance with 2006/42/EC is available from:

Makita, Jan-Baptist Vinkstraat 2, 3070, Belgium

14.2.2014



Yasushi Fukaya

Director

Makita, Jan-Baptist Vinkstraat 2, 3070, Belgium

**Descriptif**

1 Bouton de sécurité	5 Clé de 19	9 Desserrer
2 Gâchette allongée	6 Clé de 13	10 8 mm (5/16") max.
3 Molette de réglage de la vitesse	7 Écrou de la douille de serrage	
4 Poignée latérale	8 Serrer	

**SPÉCIFICATIONS**

Modèle		GD0801C	GD0811C
Diamètre de la douille de serrage		8 mm max.	8 mm max.
Diamètre max. de la meule sur tige	Diamètre max. de la meule	25 mm	50 mm
	Longueur max. de la tige	40 mm	40 mm
Vitesse nominale (n) / Vitesse à vide (n <sub>0</sub> )		29 000 min <sup>-1</sup>	7 000 min <sup>-1</sup>
Longueur totale		390 mm	390 mm
Poids net		2,0 kg	2,0 kg
Catégorie de sécurité		II/II	

GEB034-9

- Étant donné l'évolution constante de notre programme de recherche et développement, les spécifications contenues dans ce manuel sont sujettes à modification sans préavis.
- Les spécifications peuvent varier suivant les pays.
- Poids selon la procédure EPTA 01/2003

ENE050-1

**Utilisations**

L'outil est conçu pour le meulage de matériaux ferreux et l'ébavurage de pièces coulées.

ENF002-2

**Alimentation**

L'outil ne devra être raccordé qu'à une alimentation de la même tension que celle qui figure sur la plaque signalétique, et il ne pourra fonctionner que sur un courant secteur monophasé. Réalisé avec une double isolation, il peut de ce fait être alimenté sans mise à la terre.

GEA010-1

**Consignes de sécurité générales pour outils électriques**

**⚠ AVERTISSEMENT** Veuillez lire toutes les mises en garde et toutes les instructions. Il y a risque de choc électrique, d'incendie et/ou de blessure grave si les mises en garde et les instructions ne sont pas respectées.

**Conservez toutes les mises en garde et instructions pour référence ultérieure.**

**CONSIGNES DE SÉCURITÉ POUR MEULEUSE DROITE**

**Mises en garde de sécurité communes aux opérations de meulage :**

1. **Cet outil électrique est conçu pour l'utilisation en tant que meuleuse. Veuillez consulter tous les avertissements, instructions, illustrations et spécifications qui accompagnent cet outil électrique.** Il y a risque de choc électrique, d'incendie et/ou de blessure grave si les instructions ne sont pas toutes respectées.
2. **Il n'est pas recommandé d'effectuer des opérations telles que le ponçage, le broissage métallique, le polissage et le tronçonnage à l'aide de cet outil électrique.** L'exécution d'opérations pour lesquelles l'outil électrique n'a pas été conçu est dangereuse et peut entraîner une blessure.
3. **N'utilisez pas d'accessoires non conçus spécifiquement pour le travail à effectuer et non recommandés par le fabricant de l'outil.** Le fait qu'un accessoire puisse être fixé à l'outil électrique ne signifie pas qu'il fonctionnera sans danger.
4. **La vitesse nominale de l'accessoire doit être au moins égale à la vitesse maximale indiquée sur l'outil électrique.** Les accessoires peuvent se casser et voler en éclats s'ils tournent plus vite que leur vitesse nominale.
5. **Le diamètre externe et l'épaisseur de l'accessoire ne doivent pas dépasser la capacité nominale de l'outil électrique.** La maîtrise de l'outil n'est pas possible avec des accessoires de taille incorrecte.
6. **Le diamètre de la tige des accessoires doit être adapté à celui de la douille de serrage de l'outil électrique.** Des accessoires inadaptés au matériel de montage de l'outil électrique présenteront un déséquilibre et des vibrations excessives, et risquent d'entraîner une perte de contrôle de l'outil.

7. **Les accessoires montés sur tige doivent être insérés à fond dans la douille de serrage ou le mandrin.** Si la tige n'est pas maintenue correctement ou si le porte-à-faux de la meule est trop important, l'accessoire risque de se libérer et d'être éjecté à vitesse élevée.
  8. **N'utilisez pas d'accessoire endommagé. Avant chaque utilisation assurez-vous qu'il n'y a pas de copeaux, de fissures ou autres anomalies sur les accessoires tels que les meules abrasives. Si vous échappez l'outil électrique ou un accessoire, vérifiez qu'il n'est pas endommagé ou posez un accessoire en bon état. Après avoir vérifié et posé un accessoire, assurez-vous que personne, y compris vous-même, ne se trouve dans la trajectoire de l'accessoire en rotation, et faites tourner l'outil électrique à vitesse maximale sans charge pendant une minute.** Si l'accessoire est endommagé, il devrait se rompre lors de ce test.
  9. **Portez des dispositifs de protection personnelle. Suivant le travail à effectuer, portez un écran facial, des lunettes à coques ou des lunettes de sécurité. Au besoin, portez un masque antipoussières, des protections d'oreilles, des gants de travail et un tablier capable de protéger contre les petits fragments de pièce abrasifs.** Le dispositif de protection des yeux doit pouvoir bloquer les débris éjectés lors des diverses opérations. Le masque antipoussières ou le respirateur doit pouvoir filtrer les particules générées pendant l'exécution du travail. L'exposition prolongée à un bruit de grande intensité peut affecter l'ouïe.
  10. **Ne laissez pas les curieux trop approcher de la zone de travail. Toute personne pénétrant dans la zone de travail doit porter des dispositifs de protection personnelle.** Des fragments de la pièce ou d'un accessoire cassé peuvent être éjectés et causer une blessure au-delà de la zone immédiate de travail.
  11. **Saisissez l'outil électrique uniquement par ses surfaces de poigne isolées lorsque vous effectuez une opération au cours de laquelle l'accessoire tranchant peut entrer en contact avec des fils cachés ou avec le cordon d'alimentation de l'outil.** Le contact de l'accessoire tranchant avec un fil sous tension peut également mettre sous tension les parties métalliques exposées de l'outil électrique, causant ainsi un choc électrique chez l'utilisateur.
  12. **Tenez toujours l'outil fermement lorsque vous le mettez en marche.** Le couple de réaction du moteur risque de faire tourner l'outil lorsque celui-ci accélère pour atteindre le plein régime.
  13. **Utilisez des dispositifs de serrage pour soutenir la pièce lorsque c'est possible. Ne tenez jamais une petite pièce dans une main et l'outil dans l'autre lorsque celui-ci est en marche.** Fixer une petite pièce vous permet d'utiliser votre (vos) main(s) pour contrôler l'outil. Des matériaux cylindriques comme les tiges, les tuyaux et les tubes ont tendance à rouler lorsqu'on les coupe, et l'accessoire risque de se coincer ou de rebondir vers vous.
  14. **Éloignez le cordon d'alimentation de l'accessoire en rotation.** En cas de perte de maîtrise, le cordon d'alimentation risquerait d'être coupé ou accroché, entraînant du même coup votre main ou votre bras vers l'accessoire en rotation.
  15. **Ne déposez jamais l'outil électrique avant que l'accessoire n'ait complètement cessé de tourner.** L'accessoire en rotation peut accrocher la surface de la pièce et entraîner du même coup une perte de maîtrise de l'outil.
  16. **Après avoir changé d'accessoire ou effectué des réglages, vérifiez que l'écrou de la douille de serrage, le mandrin ou tout autre dispositif de réglage sont bien serrés.** Les dispositifs de réglage mal serrés peuvent bouger de manière inattendue, et entraîner une perte de contrôle et l'éjection violente des composants en rotation.
  17. **Ne laissez pas l'outil tourner pendant que vous le transportez sur le côté.** En cas de contact accidentel avec l'accessoire en rotation, ce dernier risque d'accrocher votre vêtement et d'être entraîné vers votre corps.
  18. **Nettoyez régulièrement les orifices de ventilation de l'outil électrique.** Le ventilateur du moteur aspire les poussières dans le carter ; une accumulation excessive de poussière métallique peut entraîner un risque de danger électrique.
  19. **N'utilisez pas l'outil électrique près de matériaux inflammables.** Les étincelles peuvent enflammer ces matériaux.
  20. **N'utilisez pas d'accessoires pour lesquels un liquide de refroidissement est nécessaire.** L'utilisation d'eau ou autre liquide de refroidissement peut causer une électrocution ou un choc électrique.
- Mises en garde concernant le choc en retour et autres dangers**
- Le choc en retour est une réaction soudaine de l'accessoire en rotation lorsque celui-ci se coince ou accroche sur quelque chose. L'accessoire en rotation s'immobilise alors rapidement, et entraîne l'outil électrique dans le sens opposé si vous ne le contrôlez pas.
- Par exemple, si une meule abrasive accroche ou se coince dans la pièce, la partie du tranchant qui creuse la surface de la pièce peut faire remonter la meule et la projeter ou l'éjecter. La meule peut alors bondir vers l'utilisateur ou en sens opposé, suivant son sens de rotation là où elle s'est coincée. Il y a aussi risque de rupture de la meule abrasive dans ces conditions.
- Le choc en retour est le résultat d'une mauvaise utilisation de l'outil électrique et/ou de procédures ou conditions inadéquates de travail. Il peut être évité en prenant les précautions appropriées, tel qu'indiqué ci-dessous.
- a) **Maintenez une poigne ferme sur l'outil électrique, et placez votre corps et bras de façon à pouvoir résister à la force exercée par le choc en retour.** L'utilisateur peut maîtriser les chocs en retour en prenant les précautions appropriées.



- b) **Soyez tout particulièrement prudent lorsque vous travaillez dans les coins, sur des arêtes vives, etc. Évitez de laisser l'appareil sautiller ou accrocher.** L'accessoire en rotation a tendance à accrocher dans les coins, sur les arêtes vives et lorsqu'il sautille, ce qui comporte un risque de perte de maîtrise ou de choc en retour.
- c) **N'installez jamais de lame de scie dentée sur l'outil.** De telles lames entraînent fréquemment des chocs en retour et des pertes de contrôle.
- d) **Déplacez toujours l'accessoire sur le matériau dans le sens dans lequel le bord de coupe quitte le matériau (sens de projection des copeaux).** Déplacer l'outil dans le mauvais sens repousse le bord de coupe de l'accessoire vers le haut et tire l'outil dans le sens du déplacement.

**Mises en garde de sécurité spécifiques au meulage :**

- a) **Utilisez uniquement les types de meule recommandés pour votre outil électrique, et uniquement pour les applications recommandées.**
- b) **Ne placez pas votre main dans l'axe et à l'arrière de la meule en rotation.** Lorsque vous appliquez la meule au point d'usinage et que celle-ci s'éloigne de votre main, le choc en retour potentiel risque de projeter la meule en rotation et l'outil électrique directement sur vous.

**Consignes de sécurité additionnelles :**

21. **L'outil est conçu pour être utilisé avec des meules sur tige en abrasif aggloméré, montées à demeure sur des tiges lisses non filetées.**
22. **Assurez-vous que la meule n'entre pas en contact avec la pièce avant de mettre l'outil sous tension.**
23. **Avant d'utiliser l'outil sur la pièce, laissez-le fonctionner un certain temps. Surveillez les vibrations ou le sautellement, qui peuvent indiquer que la meule n'est pas bien installée ou qu'elle est mal équilibrée.**
24. **Utilisez la face spécifiée de la meule pour meuler.**
25. **Prenez garde aux étincelles qui jaillissent. Tenez l'outil de sorte que les étincelles ne jaillissent pas vers vous, vers une autre personne présente ou vers un matériau inflammable.**
26. **Ne vous éloignez pas en laissant l'outil tourner. Ne le faites fonctionner que lorsque vous l'avez bien en main.**
27. **Ne touchez jamais la pièce juste après l'exécution du travail ; elle peut être extrêmement chaude et risque de vous brûler.**
28. **Pour installer et utiliser correctement les meules, veuillez suivre les instructions du fabricant. Manipulez les meules avec soin et rangez-les en lieu sûr.**
29. **Assurez-vous que la pièce à travailler est correctement soutenue.**
30. **Si la zone de travail est extrêmement chaude et humide, ou si elle est très polluée par des poussières conductrices, utilisez un coupe-circuit (30 mA) pour assurer votre protection.**
31. **N'utilisez l'outil sur aucun matériau contenant de l'amiante.**

32. **Assurez-vous toujours de travailler en position stable. Lorsque vous utilisez l'outil dans un endroit élevé, assurez-vous qu'il n'y a personne en bas.**

**CONSERVEZ CES INSTRUCTIONS.**

**⚠ AVERTISSEMENT :**

**NE vous laissez PAS tromper (au fil d'une utilisation répétée) par un sentiment d'aisance et de familiarité avec le produit, en négligeant le respect rigoureux des consignes de sécurité qui accompagnent le produit en question. La MAUVAISE UTILISATION de l'outil ou l'ignorance des consignes de sécurité indiquées dans ce manuel d'instructions peut entraîner une blessure grave.**

**DESCRIPTION DU FONCTIONNEMENT**

**⚠ ATTENTION :**

- Assurez-vous toujours que l'outil est hors tension et débranché avant de l'ajuster ou de vérifier son fonctionnement.

**Interrupteur (Fig. 1 et 2)**

**⚠ ATTENTION :**

- Avant de brancher l'outil, vérifiez toujours que la gâchette allongée fonctionne correctement et qu'elle revient sur la position « OFF » une fois relâchée.
- N'appuyez pas sur la gâchette allongée en forçant si vous n'avez pas actionné le bouton de sécurité. Vous risquez de casser la gâchette.

Le bouton de sécurité permet d'éviter d'appuyer accidentellement sur la gâchette allongée.

Pour démarrer l'outil, tirez le bouton de sécurité vers vous puis appuyez sur la gâchette allongée. Pour arrêter l'outil, libérez la gâchette allongée.

**Molette de réglage de la vitesse (Fig. 3)**

Vous pouvez modifier la vitesse de l'outil en faisant tourner la molette de réglage de la vitesse, graduée de 1 à 5.

La vitesse la plus élevée correspond au positionnement de la molette sur la graduation 5. La vitesse la plus faible correspond au positionnement de la molette sur la graduation 1.

Le tableau ci-dessous donne la relation entre les graduations de la molette de réglage et la vitesse approximative de l'outil.

	GD0801C	GD0811C
Graduation	min <sup>-1</sup> (tr/min)	min <sup>-1</sup> (tr/min)
1 – 2	7 000 – 10 000	1 800 – 2 400
2 – 3	10 000 – 17 000	2 400 – 4 100
3 – 4	17 000 – 24 000	4 100 – 5 800
4 – 5	24 000 – 29 000	5 800 – 7 000

014992

**⚠ ATTENTION :**

- L'utilisation de l'outil à faible vitesse pendant une période prolongée entraîne une surcharge du moteur, ce qui provoque un dysfonctionnement de l'outil.

- Les positions extrêmes de la molette de réglage de la vitesse sont 5 et 1. Ne forcez pas la molette au-delà de 5 ou en deçà de 1 : le réglage de la vitesse risque de ne plus fonctionner.

## ASSEMBLAGE

### ⚠ ATTENTION :

- Avant d'effectuer toute intervention sur l'outil, assurez-vous toujours qu'il est hors tension et débranché.

### Installation de la poignée latérale (Fig. 4)

Utilisez toujours la poignée latérale pour assurer votre sécurité.

Installez la poignée latérale sur le corps de l'outil, puis serrez-la à la position désirée en tournant dans le sens des aiguilles d'une montre.

### Installation et démontage de la meule sur tige

#### (Fig. 5 et 6)

Desserrez l'écrou de la douille de serrage et insérez la meule sur tige dans celui-ci. Utilisez la petite clé pour maintenir l'axe et la plus grande pour serrer fermement l'écrou de la douille de serrage.

La distance entre la base de la meule et l'écrou de la douille de serrage ne doit pas dépasser 8 mm. Une distance trop importante pourrait entraîner des vibrations ou la rupture de l'arbre.

Pour retirer la meule sur tige, effectuez la procédure de pose à l'inverse.

### ⚠ ATTENTION :

- La taille de la douille de serrage doit être adaptée à la meule sur tige que vous voulez utiliser.

## UTILISATION

### ⚠ ATTENTION :

- Tenez toujours l'outil fermement, avec une main sur le carter de l'outil et l'autre main sur la poignée latérale.
- Exercez une légère pression sur l'outil. Une pression excessive sur l'outil ne peut qu'entraîner une finition médiocre et une surcharge du moteur.

Mettez l'outil en marche sans mettre la meule sur tige en contact avec la pièce, et attendez que la meule sur tige atteigne sa pleine vitesse. Appuyez ensuite légèrement la meule sur tige sur la pièce. Pour obtenir une bonne finition, déplacez lentement l'outil vers la gauche.

## ENTRETIEN

### ⚠ ATTENTION :

- Assurez-vous toujours que l'outil est hors tension et débranché avant d'y effectuer tout travail d'inspection ou d'entretien.
- N'utilisez jamais d'essence, de benzène, de diluant, d'alcool ou autre produit similaire, qui peuvent entraîner une décoloration, une déformation ou l'apparition de fissures.

Pour maintenir la SÉCURITÉ et la FIABILITÉ du produit, les réparations, l'inspection et le remplacement des charbons, tout autre travail d'entretien ou de réglage doivent être effectués dans un centre de service Makita agréé, exclusivement avec des pièces de rechange Makita.

## ACCESSOIRES EN OPTION

### ⚠ ATTENTION :

- Ces accessoires ou pièces complémentaires sont recommandés pour l'utilisation avec l'outil Makita spécifié dans ce mode d'emploi. L'utilisation de tout autre accessoire ou pièce complémentaire peut comporter un risque de blessure. N'utilisez les accessoires ou pièces qu'aux fins auxquelles ils ont été conçus.

Si vous désirez obtenir plus de détails concernant ces accessoires, veuillez contacter le centre de service après-vente Makita le plus près.

- Meules sur tige
- Jeu de douilles de serrage (3 mm, 6 mm, 8 mm, 1/4", 1/8")
- Étau
- Clé de 13
- Clé de 19
- Poignée latérale

### NOTE :

- Il se peut que certains éléments de la liste soient compris dans l'emballage de l'outil en tant qu'accessoires standard. Ils peuvent varier d'un pays à l'autre.

ENG905-1

## Bruit

Niveau de bruit pondéré A typique, déterminé selon EN60745 :

### Modèle GD0801C

Niveau de pression sonore ( $L_{pA}$ ) : 80 dB (A)  
Niveau de puissance sonore ( $L_{WA}$ ) : 91 dB (A)  
Incertitude (K) : 3 dB (A)

### Modèle GD0811C

Niveau de pression sonore ( $L_{pA}$ ) : 78 dB (A)  
Incertitude (K) : 3 dB (A)

Le niveau de bruit en fonctionnement peut dépasser 80 dB (A).

## Porter des protecteurs anti-bruit

ENG900-1

## Vibrations

Valeur totale de vibrations (somme de vecteur triaxial) déterminée selon EN60745 :

### Modèle GD0801C

Mode de travail : meulage de finition  
Émission de vibrations ( $a_{r1}$ ) : 3,5 m/s<sup>2</sup>  
Incertitude (K) : 1,5 m/s<sup>2</sup>

### Modèle GD0811C

Mode de travail : meulage de finition  
Émission de vibrations ( $a_{r1}$ ) : 2,5 m/s<sup>2</sup> ou moins  
Incertitude (K) : 1,5 m/s<sup>2</sup>

ENG901-1

- La valeur d'émission de vibrations déclarée a été mesurée conformément à la méthode de test standard et peut être utilisée pour comparer les outils entre eux.
- La valeur d'émission de vibrations déclarée peut aussi être utilisée pour l'évaluation préliminaire de l'exposition.

**⚠ AVERTISSEMENT :**

- L'émission de vibrations lors de l'usage réel de l'outil électrique peut être différente de la valeur d'émission déclarée, suivant la façon dont l'outil est utilisé.
- Les mesures de sécurité à prendre pour protéger l'utilisateur doivent être basées sur une estimation de l'exposition dans des conditions réelles d'utilisation (en tenant compte de toutes les composantes du cycle d'utilisation, comme par exemple le moment de sa mise hors tension, lorsqu'il tourne à vide et le moment de son déclenchement).

ENH101-18

**Pour les pays d'Europe uniquement**

**Déclaration de conformité CE**

**Makita déclare que la (les) machine(s) suivante(s) :**

Désignation de la machine :

Meuleuse droite

N° de modèle / Type : GD0801C, GD0811C

**sont conformes aux directives européennes suivantes :**

2006/42/CE

et sont fabriquées conformément aux normes ou aux documents normalisés suivants :

EN60745

La documentation technique conforme à la norme 2006/42/CE est disponible auprès de :

Makita, Jan-Baptist Vinkstraat 2, 3070, Belgique

14.2.2014



Yasushi Fukaya

Directeur

Makita, Jan-Baptist Vinkstraat 2, 3070, Belgique

**Übersicht**

- |   |                     |   |                       |    |                   |
|---|---------------------|---|-----------------------|----|-------------------|
| 1 | Einschaltsperrhebel | 5 | Schraubenschlüssel 19 | 9  | Lösen             |
| 2 | Schalthebel         | 6 | Schraubenschlüssel 13 | 10 | Max. 8 mm (5/16") |
| 3 | Drehzahl-Stellrad   | 7 | Spannzangenmutter     |    |                   |
| 4 | Seitengriff         | 8 | Anziehen              |    |                   |

**TECHNISCHE DATEN**

Modell		GD0801C	GD0811C
Spannzangengröße		Max. 8 mm	Max. 8 mm
Max. Schleifspitzendurchmesser	Max. Schleifraddurchmesser	25 mm	50 mm
	Max. Spindel-(Schaft)-länge	40 mm	40 mm
Nenn Drehzahl (n) / Leerlaufdrehzahl (n <sub>0</sub> )		29 000 min <sup>-1</sup>	7 000 min <sup>-1</sup>
Gesamtlänge		390 mm	390 mm
Nettogewicht		2,0 kg	2,0 kg
Sicherheitsklasse		II/III	

GEB034-9

- Aufgrund unseres Dauerprogramms der Forschung und Entwicklung unterliegen die hier angegebenen technischen Daten Änderung ohne Vorankündigung.
- Die technischen Daten können von Land zu Land abweichen.
- Gewicht nach EPTA-Verfahren 01/2003

ENE050-1

**Vorgesehene Verwendung**

Die Maschine ist für das Schleifen von Eisenmaterial oder das Entgraten von Gussmaterial vorgesehen.

ENF002-2

**Netzanschluss**

Die Maschine sollte nur an eine Stromquelle angeschlossen werden, deren Spannung mit der Angabe auf dem Typenschild übereinstimmt, und kann nur mit Einphasen-Wechselstrom betrieben werden. Diese sind doppelt schutzisoliert und können daher auch an Steckdosen ohne Erdleiter verwendet werden.

GEA010-1

**Allgemeine Sicherheitswarnungen für Elektrowerkzeuge**

**⚠️ WARNUNG Lesen Sie alle Sicherheitswarnungen und Anweisungen durch.** Eine Missachtung der unten aufgeführten Warnungen und Anweisungen kann zu einem elektrischen Schlag, Brand und/oder schweren Verletzungen führen.

**Bewahren Sie alle Warnungen und Anweisungen für spätere Bezugnahme auf.**

**SICHERHEITSWARNUNGEN FÜR GERADSCHLEIFER**

**Allgemeine Sicherheitswarnungen für Schleifbetrieb:**

1. **Dieses Elektrowerkzeug ist für den Einsatz als Schleifer vorgesehen. Lesen Sie alle mit diesem Elektrowerkzeug gelieferten Sicherheitswarnungen, Anweisungen, Abbildungen und technischen Daten durch.** Eine Missachtung der unten aufgeführten Anweisungen kann zu einem elektrischen Schlag, Brand und/oder schweren Verletzungen führen.
2. **Arbeiten, wie Schleifen, Drahtbürsten, Polieren oder Abschneiden mit diesem Elektrowerkzeug, sind nicht zu empfehlen.** Benutzungsweisen, für die das Elektrowerkzeug nicht ausgelegt ist, können Gefahren erzeugen und Verletzungen verursachen.
3. **Verwenden Sie kein Zubehör, das nicht speziell vom Werkzeughersteller vorgesehen ist und empfohlen wird.** Die bloße Tatsache, dass ein Zubehörteil an Ihrem Elektrowerkzeug angebracht werden kann, gewährleistet noch keinen sicheren Betrieb.
4. **Die Nenn Drehzahl des Zubehörteils muss mindestens der am Elektrowerkzeug angegebenen Maximaldrehzahl entsprechen.** Zubehörteile, die schneller als ihre Nenn Drehzahl rotieren, können bersten und auseinander fliegen.
5. **Außendurchmesser und Dicke des Zubehörteils müssen innerhalb der Kapazitätsgrenzen Ihres Elektrowerkzeugs liegen.** Zubehörteile der falschen Größe können nicht angemessen kontrolliert werden.
6. **Die Spindel von Zubehörteilen muss genau in die Spannzange des Elektrowerkzeugs passen.** Zubehörteile, die nicht genau an den Montageflansch des Elektrowerkzeugs angepasst sind, laufen unruhig, vibrieren übermäßig und können einen Verlust der Kontrolle verursachen.

7. **Spindelmontierte Zubehörteile müssen vollständig in die Spannzange oder das Spannfutter eingeführt werden.** Falls die Spindel nicht sicher genug gehalten wird und/oder der Überhang des Schleifrads zu lang ist, kann sich das montierte Zubehörteil lockern und mit hoher Geschwindigkeit weggeschleudert werden.
  8. **Verwenden Sie keine beschädigten Zubehörteile. Untersuchen Sie das Zubehörteil, wie z. B. eine Schleifscheibe, vor jedem Gebrauch auf Abspaltungen und Risse. Falls das Elektrowerkzeug oder das Zubehörteil herunterfällt, überprüfen Sie es auf Beschädigung, oder montieren Sie ein unbeschädigtes Zubehörteil. Achten Sie nach der Überprüfung und Installation eines Zubehörteils darauf, dass Sie selbst und Umstehende nicht in der Rotationsebene des Zubehörteils stehen, und lassen Sie das Elektrowerkzeug eine Minute lang mit maximaler Leerlaufdrehzahl laufen.** Ein beschädigtes Zubehörteil bricht normalerweise während dieses Probelaufs auseinander.
  9. **Tragen Sie Schutzausrüstung. Benutzen Sie je nach der Arbeit einen Gesichtsschutz bzw. eine Sicherheits- oder Schutzbrille. Tragen Sie bei Bedarf eine Staubmaske, Ohrschützer, Handschuhe und eine Arbeitsschürze, die in der Lage ist, kleine Schleifpartikel oder Werkstücksplitter abzuwehren.** Der Augenschutz muss in der Lage sein, den bei verschiedenen Arbeiten anfallenden Flugstaub abzuwehren. Die Staubmaske oder Atemschutzmaske muss in der Lage sein, durch die Arbeit erzeugte Partikel herauszufiltern. Lang anhaltende Lärmbelastung kann zu Gehörschäden führen.
  10. **Halten Sie Umstehende in sicherem Abstand vom Arbeitsbereich. Jeder, der den Arbeitsbereich betritt, muss Schutzausrüstung tragen.** Bruchstücke des Werkstücks oder eines beschädigten Zubehörteils können weggeschleudert werden und Verletzungen über den unmittelbaren Arbeitsbereich hinaus verursachen.
  11. **Halten Sie das Elektrowerkzeug nur an den isolierten Griffflächen, wenn Sie Arbeiten ausführen, bei denen die Gefahr besteht, dass verborgene Kabel oder das eigene Kabel kontaktiert werden.** Bei Kontakt mit einem Strom führenden Kabel können die freiliegenden Metallteile des Elektrowerkzeugs ebenfalls Strom führend werden, so dass der Benutzer einen elektrischen Schlag erleiden kann.
  12. **Halten Sie die Maschine während des Anlaufs immer mit beiden Händen fest.** Während der Motor auf volle Drehzahl beschleunigt, kann das Reaktionsdrehmoment eine Verdrehung der Maschine verursachen.
  13. **Stützen Sie das Werkstück mit Klemmen ab, wenn dies durchführbar ist. Halten Sie während des Betriebs niemals ein kleines Werkstück in der einen, und die Maschine in der anderen Hand.** Durch Einspannen eines kleinen Werkstücks können Sie die Maschine mit beiden Händen unter Kontrolle halten. Rundmaterial, wie z. B. Stangen, Leitungen oder Rohre, neigt beim Schneiden zum Rollen, was dazu führen kann, dass der Einsatz klemmt oder auf den Bediener zu springt.
  14. **Halten Sie das Kabel vom rotierenden Zubehörteil fern.** Falls Sie die Kontrolle verlieren, kann das Kabel durchgetrennt oder erfasst werden, so dass Ihre Hand oder Ihr Arm in das rotierende Zubehörteil hineingezogen wird.
  15. **Legen Sie das Elektrowerkzeug erst ab, nachdem das Zubehörteil zum vollständigen Stillstand gekommen ist.** Anderenfalls kann das rotierende Zubehörteil die Oberfläche erfassen und das Elektrowerkzeug aus Ihren Händen reißen.
  16. **Nachdem Sie den Einsatz gewechselt oder Einstellungen vorgenommen haben, sollten Sie sich vergewissern, dass die Spannzangenmutter, das Spannfutter oder andere Einstellvorrichtungen einwandfrei festgezogen sind.** Lockere Einstellvorrichtungen können unerwartet verrutschen, was zum Verlust der Kontrolle führen kann, und lockere rotierende Komponenten können heftig weggeschleudert werden.
  17. **Lassen Sie das Elektrowerkzeug nicht laufen, während Sie es an Ihrer Seite tragen.** Das rotierende Zubehörteil könnte sonst bei versehentlichem Kontakt Ihre Kleidung erfassen und auf Ihren Körper zu gezogen werden.
  18. **Reinigen Sie die Ventilationsöffnungen des Elektrowerkzeugs regelmäßig.** Der Lüfter des Motors saugt Staub in das Gehäuse an, und starke Ablagerungen von Metallstaub können elektrische Gefahren verursachen.
  19. **Betreiben Sie das Elektrowerkzeug nicht in der Nähe von brennbaren Materialien.** Funken könnten diese Materialien entzünden.
  20. **Verwenden Sie keine Zubehörteile, die Kühlflüssigkeiten erfordern.** Die Verwendung von Wasser oder anderen Kühlflüssigkeiten kann zu einem Stromtod oder Stromschlag.
- Warnungen vor Rückschlag und damit zusammenhängenden Gefahren**
- Rückschlag ist eine plötzliche Reaktion auf ein eingeklemmtes oder stockendes Zubehör. Klemmen oder Hängenbleiben verursacht ruckartiges Stocken des rotierenden Zubehörteils, was wiederum dazu führt, dass das außer Kontrolle geratene Elektrowerkzeug am Stockpunkt in die entgegengesetzte Drehrichtung des Zubehörts geschleudert wird.
- Wenn beispielsweise eine Schleifscheibe vom Werkstück erfasst oder eingeklemmt wird, kann sich die in den Klemmpunkt eindringende Schleifscheibenkante in die Materialoberfläche bohren, so dass sie herausspringt und zurückschlägt. Je nach der Drehrichtung der Schleifscheibe am Klemmpunkt kann die Schleifscheibe auf die Bedienungsperson zu oder von ihr weg springen. Schleifscheiben können unter solchen Bedingungen auch brechen.
- Rückschlag ist das Resultat falscher Handhabung des Elektrowerkzeugs und/oder falscher Arbeitsverfahren oder -bedingungen und kann durch Anwendung der nachstehenden Vorsichtsmaßnahmen vermieden werden.
- a) **Halten Sie das Elektrowerkzeug mit festem Griff, und positionieren Sie Ihren Körper und Arm so, dass Sie die Rückschlagkräfte auffangen können.** Drehbewegungen oder Rückschlagkräfte können kontrolliert werden, wenn entsprechende Vorkehrungen getroffen werden.

- b) **Lassen Sie beim Bearbeiten von Ecken und scharfen Kanten usw. besondere Vorsicht walten.** Vermeiden Sie Anstoßen und Verhaken des Zubehörs. Ecken, scharfe Kanten oder Anstoßen führen leicht zu Hängenbleiben des rotierenden Zubehörs und verursachen Verlust der Kontrolle oder Rückschlag.
- c) **Montieren Sie keine gezahnten Sägeblätter.** Solche Zubehörteile verursachen häufige Rückschläge und Verlust der Kontrolle.
- d) **Schieben Sie den Einsatz immer in derselben Richtung in das Material vor, da die Schneidkante aus dem Material austritt (in Flugrichtung der Späne).** Wird die Maschine in der falschen Richtung vorgeschoben, klettert die Schneidkante des Einsatzes aus dem Werkstück heraus und zieht die Maschine in die Richtung dieses Vorschubs.

- 31. **Verwenden Sie diese Maschine nicht zur Bearbeitung von asbesthaltigen Materialien.**
- 32. **Achten Sie stets auf sicheren Stand. Vergewissern Sie sich bei Einsatz der Maschine an hochgelegenen Arbeitsplätzen, dass sich keine Personen darunter aufhalten.**

**BEWAHREN SIE DIESE HINWEISE SORGFÄLTIG AUF.**

**⚠️ WARNUNG:**  
Lassen Sie sich **NICHT** durch **Bequemlichkeit oder Vertrautheit** mit dem Produkt (durch wiederholten Gebrauch erworben) von der strikten Einhaltung der Sicherheitsregeln für das vorliegende Produkt abhalten. **MISSBRAUCH** oder **Missachtung** der Sicherheitsvorschriften in dieser Anleitung können **schwere Verletzungen verursachen.**

**FUNKTIONSBESCHREIBUNG**

**⚠️ VORSICHT:**  
• Vergewissern Sie sich vor jeder Einstellung oder Funktionsprüfung der Maschine stets, dass sie ausgeschaltet und vom Stromnetz getrennt ist.

**Schalterfunktion (Abb. 1 und 2)**

**⚠️ VORSICHT:**  
• Vergewissern Sie sich vor dem Anschließen der Maschine an das Stromnetz stets, dass der Schalthebel ordnungsgemäß funktioniert und beim Loslassen in die AUS-Stellung zurückkehrt.  
• Betätigen Sie den Schalthebel nicht gewaltsam, ohne den Einschaltsperrhebel hineinzudrücken. Dies kann zu einer Beschädigung des Schalters führen.

Um versehentliche Betätigung des Schalthebels zu verhüten, ist die Maschine mit einem Einschaltsperrhebel ausgestattet.

Zum Einschalten der Maschine den Einschaltsperrhebel zum Bediener hin ziehen, und dann den Schalthebel betätigen. Zum Ausschalten den Schalthebel loslassen.

**Drehzahl-Stellrad (Abb. 3)**

Die Drehzahl kann durch Drehen des Drehzahl-Stellrads auf eine der Stufen von 1 bis 5 geändert werden. Durch Drehen des Stellrads in Richtung der Stufe 5 wird die Drehzahl erhöht. Durch Drehen des Stellrads in Richtung der Stufe 1 wird die Drehzahl verringert. Die ungefähren Drehzahlen für die einzelnen Stellrad-Positionen sind aus der Tabelle ersichtlich.

	GD0801C	GD0811C
Nummer	min <sup>-1</sup> (U/min)	min <sup>-1</sup> (U/min)
1 – 2	7.000 – 10.000	1.800 – 2.400
2 – 3	10.000 – 17.000	2.400 – 4.100
3 – 4	17.000 – 24.000	4.100 – 5.800
4 – 5	24.000 – 29.000	5.800 – 7.000

014992

**⚠️ VORSICHT:**  
• Wird die Maschine über längere Zeitspannen im Dauerbetrieb mit niedriger Drehzahl betrieben, führt das zu einer Überlastung des Motors, die eine Funktionsstörung zur Folge haben kann.

**Spezielle Sicherheitswarnungen für Schleifarbeiten:**

- a) **Verwenden Sie nur Schleifradtypen, die für Ihr Elektrowerkzeug empfohlen werden, und nur für die empfohlenen Anwendungen.**
- b) **Halten Sie Ihre Hand nicht so, dass sie sich in einer Linie mit der rotierenden Schleifscheibe oder hinter dieser befindet.** Wenn sich die Schleifscheibe am Arbeitspunkt von Ihrer Hand weg bewegt, kann ein möglicher Rückschlag die rotierende Schleifscheibe und das Elektrowerkzeug direkt auf Sie zu schleudern.

**Zusätzliche Sicherheitshinweise:**

- 21. **Die Maschine ist für den Gebrauch mit gebundenen Schleifspitzen (Schleifsteinen) vorgesehen, die dauerhaft auf einer glatten Spindel (Schaft) ohne Gewinde montiert sind.**
- 22. **Vergewissern Sie sich vor dem Einschalten der Maschine, dass die Schleifscheibe nicht das Werkstück berührt.**
- 23. **Lassen Sie die Maschine vor der eigentlichen Bearbeitung eines Werkstücks eine Weile laufen. Achten Sie auf Vibrationen oder Taumelbewegungen, die Anzeichen für schlechte Montage oder eine schlecht ausgewuchtete Schleifscheibe sein können.**
- 24. **Verwenden Sie nur die vorgeschriebene Fläche der Schleifscheibe für Schleifarbeiten.**
- 25. **Nehmen Sie sich vor Funkenflug in Acht. Halten Sie die Maschine so, dass Sie und andere Personen oder leicht entzündliche Materialien nicht von den Funken getroffen werden.**
- 26. **Lassen Sie die Maschine nicht unbeaufsichtigt laufen. Benutzen Sie die Maschine nur mit Handhaltung.**
- 27. **Vermeiden Sie eine Berührung des Werkstücks unmittelbar nach der Bearbeitung, weil es dann noch sehr heiß ist und Hautverbrennungen verursachen kann.**
- 28. **Befolgen Sie die Anweisungen des Herstellers für korrekte Montage und Verwendung von Schleifscheiben. Behandeln und lagern Sie Schleifscheiben mit Sorgfalt.**
- 29. **Vergewissern Sie sich, dass das Werkstück sicher abgestützt ist.**
- 30. **Falls der Arbeitsplatz sehr heiß, feucht oder durch leitfähigen Staub stark verschmutzt ist, verwenden Sie einen Kurzschlusschalter (30 mA) zum Schutz des Bedieners.**

- Das Drehzahl-Stellrad lässt sich nur bis 5 und zurück auf 1 drehen. Wird es gewaltsam über 5 oder 1 hinaus gedreht, lässt sich die Drehzahl möglicherweise nicht mehr einstellen.

## MONTAGE

### VORSICHT:

- Vergewissern Sie sich vor der Ausführung von Arbeiten an der Maschine stets, dass sie ausgeschaltet und vom Stromnetz getrennt ist.

### Installieren des Seitengriffs (Abb. 4)

Verwenden Sie stets den Seitengriff, um Betriebssicherheit zu gewährleisten. Den Seitengriff am Werkzeuggehäuse anbringen, und dann durch Drehen im Uhrzeigersinn an der gewünschten Position festziehen.

### Montieren und Demontieren der Schleifspitze (Abb. 5 und 6)

Die Spannzangenmutter lösen, und die Schleifspitze in die Spannzangenmutter einführen. Benutzen Sie den kleineren Schraubenschlüssel, um die Spindel festzuhalten, und den größeren, um die Spannzangenmutter sicher anzuziehen.

Die Schleifspitze sollte nicht mehr als 8 mm von der Spannzangenmutter entfernt montiert werden. Eine Überschreitung dieses Abstands kann zu Vibrationen oder Schaffbruch führen.

Zum Demontieren der Schleifspitze ist das Montageverfahren umgekehrt anzuwenden.

### VORSICHT:

- Verwenden Sie einen Spannkonus der korrekten Größe für die zu benutzende Schleifspitze.

## BETRIEB

### VORSICHT:

- Halten Sie die Maschine immer mit einer Hand am Gehäuse und mit der anderen am Seitengriff.
- Üben Sie leichten Druck auf die Maschine aus. Übermäßige Druckausübung auf die Maschine führt nur zu schlechter Ausführung und Überlastung des Motors.

Achten Sie beim Einschalten der Maschine darauf, dass die Schleifspitze keinen Kontakt mit dem Werkstück hat, und warten Sie, bis die Schleifspitze ihre volle Drehzahl erreicht. Setzen Sie dann die Schleifspitze sanft an die Maschine an. Um eine gute Ausführung zu erhalten, bewegen Sie das Werkzeug langsam nach links.

## WARTUNG

### VORSICHT:

- Denken Sie vor der Durchführung von Überprüfungen oder Wartungsarbeiten stets daran, die Maschine auszuschalten und vom Stromnetz zu trennen.
- Verwenden Sie auf keinen Fall Benzin, Benzol, Verdünnern, Alkohol oder dergleichen. Solche Mittel können Verfärbung, Verformung oder Rissbildung verursachen.

Um die SICHERHEIT und ZUVERLÄSSIGKEIT dieses Produkts aufrechtzuerhalten, sollten Reparaturen, Überprüfung und Austausch der Kohlebürsten und andere Wartungs- oder Einstellarbeiten nur von Makita-Kundendienstzentren unter ausschließlicher Verwendung von Makita-Originalersatzteilen ausgeführt werden.

## SONDERZUBEHÖR

### VORSICHT:

- Die folgenden Zubehörteile oder Vorrichtungen werden für den Einsatz mit der in dieser Anleitung beschriebenen Makita-Maschine empfohlen. Die Verwendung anderer Zubehörteile oder Vorrichtungen kann eine Verletzungsgefahr darstellen. Verwenden Sie Zubehörteile oder Vorrichtungen nur für ihren vorgesehenen Zweck.

Wenn Sie weitere Einzelheiten bezüglich dieser Zubehörteile benötigen, wenden Sie sich bitte an Ihre Makita-Kundendienststelle.

- Schleifspitzen
- Spannzangenkonussatz (3 mm, 6 mm, 8 mm, 1/4", 1/8")
- Schraubstockhalter
- Schraubenschlüssel 13
- Schraubenschlüssel 19
- Seitengriffsatz

### HINWEIS:

Manche Teile in der Liste können als Standardzubehör im Werkzeugsatz enthalten sein. Sie können von Land zu Land unterschiedlich sein.

ENG905-1

## Geräusch

Typischer A-bewerteter Geräuschpegel ermittelt gemäß EN60745:

### Modell GD0801C

Schalldruckpegel ( $L_{pA}$ ): 80 dB (A)  
Schallleistungspegel ( $L_{WA}$ ): 91 dB (A)  
Ungewissheit (K): 3 dB (A)

### Modell GD0811C

Schalldruckpegel ( $L_{pA}$ ): 78 dB (A)  
Ungewissheit (K): 3 dB (A)

Der Lärmpegel kann während des Betriebs 80 dB (A) überschreiten.

## Gehörschutz tragen

ENG900-1

## Vibration

Vibrationsgesamt看wert (Drei-Achsen-Vektorsumme) ermittelt gemäß EN60745:

### Modell GD0801C

Arbeitsmodus: oberflächenschleifen  
Vibrationsemission ( $a_{h1}$ ): 3,5 m/s<sup>2</sup>  
Ungewissheit (K): 1,5 m/s<sup>2</sup>

### Modell GD0811C

Arbeitsmodus: oberflächenschleifen  
Vibrationsemission ( $a_{h1}$ ): 2,5 m/s<sup>2</sup> oder weniger  
Ungewissheit (K): 1,5 m/s<sup>2</sup>

- Der angegebene Vibrationsemissionswert wurde im Einklang mit der Standardprüfmethode gemessen und kann für den Vergleich zwischen Maschinen herangezogen werden.
- Der angegebene Vibrationsemissionswert kann auch für eine Vorbewertung des Gefährdungsgrads verwendet werden.

**⚠️ WARNUNG:**

- Die Vibrationsemission während der tatsächlichen Benutzung des Elektrowerkzeugs kann je nach der Benutzungsweise der Maschine vom angegebenen Emissionswert abweichen.
- Identifizieren Sie Sicherheitsmaßnahmen zum Schutz des Benutzers anhand einer Schätzung des Gefährdungsgrads unter den tatsächlichen Benutzungsbedingungen (unter Berücksichtigung aller Phasen des Arbeitszyklus, wie z. B. Ausschalt- und Leerlaufzeiten der Maschine zusätzlich zur Betriebszeit).

ENH101-18

**Nur für europäische Länder**

**EG-Übereinstimmungserklärung**

**Makita erklärt, dass die folgende(n) Maschine(n):**

Bezeichnung der Maschine:

Geradschleifer

Modell-Nr./ Typ: GD0801C, GD0811C

**den folgenden europäischen Richtlinien entsprechen:**

2006/42/EG

gemäß den folgenden Standards oder standardisierten Dokumenten hergestellt werden:

EN60745

Die technische Akte in Übereinstimmung mit 2006/42/EG ist erhältlich von:

Makita, Jan-Baptist Vinkstraat 2, 3070, Belgien

14.2.2014



Yasushi Fukaya  
Direktor

Makita, Jan-Baptist Vinkstraat 2, 3070, Belgien



**Visione generale**

- |   |                                |   |                          |    |                   |
|---|--------------------------------|---|--------------------------|----|-------------------|
| 1 | Leva di sblocco                | 5 | Chiave 19                | 9  | Per allentare     |
| 2 | Leva interruttore              | 6 | Chiave 13                | 10 | 8 mm (5/16") max. |
| 3 | Ghiera di regolazione velocità | 7 | Dado bussola di chiusura |    |                   |
| 4 | Manico laterale                | 8 | Stringere                |    |                   |

**DATI TECNICI**

Modello		GD0801C	GD0811C
Dimensioni bussola di chiusura		8 mm max.	8 mm max.
Diametro punta disco max.	Diametro disco max.	25 mm	50 mm
	Lunghezza mandrino (codolo) max.	40 mm	40 mm
Velocità nominale (n) / Velocità senza carico (n <sub>0</sub> )		29.000 min <sup>-1</sup>	7.000 min <sup>-1</sup>
Lunghezza totale		390 mm	390 mm
Peso netto		2,0 kg	2,0 kg
Classe di sicurezza		II/II	

- Per il nostro continuo programma di ricerca e sviluppo, i presenti dati tecnici sono soggetti a cambiamenti senza avviso.
- I dati tecnici potrebbero differire a seconda del paese di destinazione del modello.
- Peso in base alla procedura EPTA 01/2003

GEB034-9

**AVVERTIMENTI PER LA SICUREZZA PER LA SMERIGLIATRICE DIRITTA**

**Avvertimenti comuni per la sicurezza dell'operazione di smerigliatura:**

ENE050-1

**Utilizzo previsto**

Questo utensile è progettato per la smerigliatura dei materiali ferrosi o la sbavatura dei pezzi fusi.

ENF002-2

**Alimentazione**

Questo utensile deve essere collegato soltanto a una fonte di alimentazione con la stessa tensione indicata sulla targhetta del nome, e può funzionare soltanto con la corrente alternata monofase. E esso ha un doppio isolamento, per cui può essere usato anche con le prese di corrente sprovviste della messa a terra.

GEA010-1

**Avvertimenti generali per la sicurezza dell'utensile elettrico**

**⚠ AVVERTIMENTO** Leggere tutti gli avvertimenti per la sicurezza e le istruzioni. La mancata osservanza degli avvertimenti e delle istruzioni può causare scosse elettriche, incendio e/o gravi incidenti.

**Conservare tutti gli avvertimenti e le istruzioni per riferimenti futuri.**

1. **Questo utensile elettrico è progettato per il funzionamento come smerigliatrice. Leggere tutti gli avvertimenti per la sicurezza, le istruzioni, le illustrazioni e i dati tecnici forniti con questo utensile elettrico.** Se non si seguono le istruzioni elencate sotto, c'è pericolo di scosse elettriche, incendio e/o gravi incidenti.
2. **Con questo utensile elettrico si sconsigliano le operazioni quali la sabbiatura, spazzolatura metallica, lucidatura o troncatura.** Le operazioni per le quali l'utensile elettrico non è stato progettato possono creare pericoli e incidenti.
3. **Non usare accessori che non sono specificatamente progettati e consigliati dal produttore dell'utensile.** Il solo fatto che un accessorio possa essere attaccato all'utensile elettrico non ne assicura l'utilizzo sicuro.
4. **La velocità nominale dell'accessorio deve essere almeno uguale alla velocità massima indicata sull'utensile elettrico.** Gli accessori che girano più velocemente della loro velocità nominale possono rompersi e schizzare via.
5. **Il diametro esterno e lo spessore dell'accessorio devono essere compresi entro la capacità nominale dell'utensile elettrico.** Gli accessori con dimensioni scorrette non possono essere protetti o controllati adeguatamente.
6. **Le dimensioni dell'albero degli accessori devono entrare correttamente nella bussola di chiusura dell'utensile elettrico.** Gli accessori inadatti all'hardware di montaggio dell'utensile elettrico diventano sbilanciati, vibrano eccessivamente e potrebbero causare la perdita di controllo.

7. **Gli accessori montati sul mandrino devono essere inseriti completamente nella bussola di chiusura o portapunta.** Se il mandrino non è tenuto saldamente e/o se il disco sporge eccessivamente, l'accessorio montato potrebbe staccarsi e venire espulso ad alta velocità.
8. **Non si devono usare accessori danneggiati. Prima di ogni uso, controllare che gli accessori, come i dischi abrasivi, non presentino scheggiature o crepe. Se l'utensile o l'accessorio è stato fatto cadere, controllare se ci sono danni o installare un accessorio non danneggiato. Dopo aver ispezionato e installato un accessorio, posizionare se stessi e gli astanti fuori dal piano di rotazione dell'accessorio, e far girare l'utensile senza carico alla velocità massima per un minuto.** Gli accessori danneggiati normalmente si rompono durante questo tempo di test.
9. **Indossare una attrezzatura di protezione. A seconda dell'applicazione, usare una visiera, occhiali di sicurezza o occhiali di protezione. Come appropriato, indossare una mascherina antipolvere, protezioni per l'udito, guanti e un grembiule in grado di arrestare piccoli frammenti abrasivi o del pezzo.** La protezione per gli occhi deve essere in grado di arrestare i frammenti volanti generati dalle varie operazioni. La mascherina o respiratore antipolvere deve essere in grado di filtrare le particelle generate durante il lavoro. L'esposizione prolungata al rumore ad alta intensità potrebbe causare la perdita dell'udito.
10. **Tenere gli astanti lontani a una distanza di sicurezza dall'area di lavoro. Chiunque entri nell'area di lavoro deve indossare una attrezzatura personale di sicurezza.** I frammenti del pezzo o di un accessorio rotto potrebbero volare via e causare un incidente oltre l'area immediata del lavoro.
11. **L'utensile deve essere tenuto soltanto per le superfici di presa isolate quando si esegue una operazione in cui l'accessorio di taglio potrebbe fare contatto con fili elettrici nascosti o con il suo stesso cavo di alimentazione.** L'accessorio di taglio che fa contatto con un filo elettrico "sotto tensione" potrebbe mettere "sotto tensione" le parti metalliche esposte dell'utensile elettrico e dare una scossa all'operatore.
12. **Tenere sempre saldamente in mano l'utensile durante l'avviamento.** La coppia di reazione del motore quando accelera fino alla velocità massima può far deviare l'utensile.
13. **Ogni volta possibile, usare morsetti per supportare il pezzo. Durante l'uso non si devono mai tenere i piccoli pezzi con una mano e l'utensile con l'altra.** Fissando i piccoli pezzi si possono usare le mani per controllare l'utensile. I materiali rotondi, come le aste dei perni, i tubi o le tubature tendono a ruotare quando vengono tagliati e potrebbero causare l'inceppamento della punta o farla rimbalzare verso l'operatore.
14. **Posizionare il cavo discosto dall'accessorio che gira.** In caso di perdita di controllo, il cavo potrebbe venire tagliato o impigliato, e la mano o il braccio dell'operatore potrebbe essere attirato nell'accessorio che gira.
15. **Non si deve mai posare l'utensile elettrico finché l'accessorio non si è arrestato completamente.** L'accessorio che gira potrebbe far presa sulla superficie e tirare l'utensile elettrico fuori dal controllo dell'operatore.
16. **Dopo il cambiamento delle punte o qualsiasi regolazione, accertarsi che il dado della bussola di chiusura, il portapunta o qualsiasi altro dispositivo di regolazione siano fissati saldamente.** I dispositivi di regolazione allentati potrebbero spostarsi inaspettatamente causando la perdita di controllo, e scagliare violentemente le parti rotanti allentate.
17. **L'operatore non deve far funzionare l'utensile elettrico mentre lo trasporta sul proprio fianco.** L'accessorio che ruota, per il contatto accidentale, potrebbe rimanere impigliato sul vestito ed essere attirato sul corpo dell'operatore.
18. **Pulire regolarmente le aperture di ventilazione dell'utensile.** La ventola del motore attira la polvere all'interno dell'alloggiamento, e l'accumulazione eccessiva di polvere metallica potrebbe causare pericoli di scosse elettriche.
19. **Non far funzionare l'utensile elettrico vicino a materiali infiammabili.** Le scintille potrebbero infiammare tali materiali.
20. **Non usare accessori che richiedono refrigeranti liquidi.** L'utilizzo di acqua o di altri refrigeranti liquidi potrebbe causare elettrocuzione o scosse elettriche.

#### **Contraccolpo e avvertimenti relativi**

Il contraccolpo è l'improvvisa reazione a un accessorio rotante incastrato o trattenuto. L'accessorio rotante incastrato o trattenuto subisce un improvviso stallo, che a sua volta causa la spinta dell'utensile elettrico fuori controllo nella direzione opposta a quella di rotazione dell'accessorio.

Per esempio, se un disco abrasivo rimane impigliato o incastrato nel pezzo, il filo del disco che entra nel punto di inceppamento può penetrare nella superficie del materiale causando la fuoriuscita o il contraccolpo del disco. Il disco potrebbe rimbalzare verso l'operatore o lontano da esso, a seconda della direzione del movimento del disco sul punto di inceppamento. In queste condizioni, i dischi abrasivi potrebbero anche rompersi.

Il contraccolpo è il risultato dell'utilizzo scorretto dell'utensile elettrico e/o di procedure o condizioni operative scorrette, e può essere evitato prendendo le precauzioni appropriate come indicato di seguito.

- a) **Tenere saldamente l'utensile elettrico e posizionare il corpo e il braccio in modo da poter resistere alla forza del contraccolpo.** Con le dovute precauzioni l'operatore può controllare la forza del contraccolpo.
- b) **Fare particolarmente attenzione lavorando gli angoli, i bordi aguzzi, ecc. Evitare di far rimbalzare o di impigliare l'accessorio.** Gli angoli, i bordi aguzzi o i rimbalzi tendono a impigliare l'accessorio rotante e causare la perdita di controllo o il contraccolpo.
- c) **Non si deve attaccare una lama di sega dentata.** Tali lame causano frequenti contraccolpi e perdita di controllo dell'utensile.

- d) Spingere sempre la punta nel materiale nella stessa direzione di uscita del bordo di taglio dal materiale (che è la stessa direzione di espulsione dei trucioli). Spingendo l'utensile nella direzione sbagliata si fa venire fuori dal pezzo il bordo tagliente della punta, e l'utensile viene tirato nella direzione della spinta.

**Avvertimenti specifici per la sicurezza della smerigliatura:**

- a) Usare soltanto i dischi consigliati per l'utensile elettrico, e soltanto per le applicazioni consigliate.
- b) Non posizionare la mano in linea o dietro il disco che gira. Quando il disco si discosta dalla mano sul punto che si lavora, un possibile contraccolpo potrebbe spingere il disco rotante e l'utensile elettrico verso l'operatore.

**Avvertimenti aggiuntivi per la sicurezza:**

21. Questo utensile è progettato per l'uso con punte dischi abrasivi (mole) montate permanentemente su mandrini (codoli) comuni senza filettature.
22. Accertarsi che il disco non faccia contatto con il pezzo prima di avviare l'utensile.
23. Far girare l'utensile acceso per qualche istante prima di usarlo sul pezzo da lavorare. Controllare se ci sono vibrazioni od ondeggiamenti, che potrebbero indicare l'installazione inadeguata del disco o un disco bilanciato male.
24. Usare la superficie specificata del disco per eseguire la smerigliatura.
25. Fare attenzione alle scintille. Tenere l'utensile in modo che le scintille non siano dirette verso di sé e altre persone, o materiali infiammabili.
26. Non lasciare l'utensile mentre sta funzionando. Far funzionare l'utensile soltanto tenendolo in mano.
27. Il pezzo non deve essere toccato immediatamente dopo l'operazione. Esso potrebbe essere estremamente caldo e causare bruciate.
28. Osservare le istruzioni del produttore per il corretto montaggio e utilizzo dei dischi. Maneggiare e conservare i dischi con cura.
29. Controllare che il pezzo sia supportato correttamente.
30. Se si deve lavorare in un luogo estremamente caldo e umido, o molto contaminato da polvere conduttiva, è necessario usare un interruttore di corto circuito (30 mA) per garantire la sicurezza dell'operatore.
31. L'utensile non deve essere usato su materiali contenenti amianto.
32. Accertarsi che i piedi siano appoggiati saldamente. Accertarsi che non ci siano persone sotto quando si usa l'utensile in luoghi alti.

**CONSERVARE QUESTE ISTRUZIONI.**

### ⚠ AVVERTIMENTO:

NON lasciare che la comodità d'utilizzo o la familiarità con il prodotto (acquisita con l'uso ripetuto) sostituisca la stretta osservanza delle norme per la sua sicurezza. L'utilizzo SBAGLIATO o la mancata osservanza delle norme di sicurezza di questo manuale di istruzioni potrebbero causare lesioni serie.

### DESCRIZIONE FUNZIONALE

#### ⚠ ATTENZIONE:

- Accertarsi sempre che l'utensile sia spento e staccato dalla presa di corrente prima di regolarlo o di controllarne il funzionamento.

#### Funzionamento dell'interruttore (Fig. 1 e 2)

#### ⚠ ATTENZIONE:

- Prima di collegare l'utensile alla presa di corrente, controllare sempre che la leva interruttore funzioni correttamente e che torni sulla posizione "OFF" quando viene rilasciata.
- Non schiacciare la leva interruttore forzandola senza schiacciare dentro la leva di sblocco. Ciò potrebbe causare la rottura dell'interruttore.

Questo utensile è dotato di una leva di sblocco, per evitare che la leva interruttore venga schiacciata accidentalmente.

Per avviare l'utensile, schiacciare verso di sé la leva di sblocco e schiacciare poi la leva interruttore. Rilasciare la leva interruttore per fermarlo.

#### Ghiera di regolazione velocità (Fig. 3)

La velocità dell'utensile può essere cambiata girando la ghiera di regolazione velocità sulla regolazione di un dato numero da 1 a 5.

Le velocità più alte si ottengono girando la leva di regolazione velocità nella direzione del numero 5. Le velocità più basse si ottengono girandola nella direzione del numero 1.

Vedere la tabella per il rapporto tra le regolazioni dei numeri sulla ghiera e la velocità approssimativa dell'utensile.

	GD0801C	GD0811C
Numero	min <sup>-1</sup> (giri/minuto)	min <sup>-1</sup> (giri/minuto)
1 – 2	7.000 – 10.000	1.800 – 2.400
2 – 3	10.000 – 17.000	2.400 – 4.100
3 – 4	17.000 – 24.000	4.100 – 5.800
4 – 5	24.000 – 29.000	5.800 – 7.000

014992

#### ⚠ ATTENZIONE:

- Se si fa funzionare l'utensile alle basse velocità per un lungo periodo di tempo, il motore si surriscalda causando il malfunzionamento dell'utensile.
- La ghiera di regolazione velocità può essere girata soltanto fino al 5 e indietro fino all'1. Non forzarla oltre il 5 o l'1, perché altrimenti la funzione di regolazione della velocità potrebbe diventare inutilizzabile.

## MONTAGGIO

### ⚠ ATTENZIONE:

- Accertarsi sempre che l'utensile sia spento e staccato dalla presa di corrente prima di un qualsiasi intervento su di esso.

### Installazione del manico laterale (Fig. 4)

Per lavorare con sicurezza usare sempre il manico laterale.

Installare il manico laterale sul cilindro dell'utensile, e stringerlo poi girandolo in senso orario sulla posizione desiderata.

### Installazione o rimozione della punta disco (Fig. 5 e 6)

Allentare il dado della bussola di chiusura e inserire la punta disco nel dado della bussola di chiusura. Usare la chiave più piccola per tenere fermo il mandrino, e la chiave più grande per stringere saldamente il dado della bussola di chiusura.

La punta disco non deve essere montata a oltre 8 mm dal dado della bussola di chiusura. Superando questa distanza si possono causare vibrazioni o la rottura dell'albero.

Per rimuovere la punta disco, seguire il procedimento opposto di installazione.

### ⚠ ATTENZIONE:

- Usare un cono bussola di chiusura con le dimensioni corrette per la punta disco che si intende utilizzare.

## FUNZIONAMENTO

### ⚠ ATTENZIONE:

- Tenere sempre saldamente l'utensile con una mano sull'alloggiamento e l'altra sul manico laterale.
- Applicare una leggera pressione sull'utensile. Una pressione eccessiva sull'utensile produce soltanto delle finiture scarse e il sovraccarico del motore.

Accendere l'utensile senza che la punta disco faccia contatto con il pezzo, e aspettare finché la punta disco abbia raggiunto la massima velocità. Applicare poi delicatamente la punta disco sul pezzo. Per ottenere una buona finitura, spostare lentamente l'utensile verso sinistra.

## MANUTENZIONE

### ⚠ ATTENZIONE:

- Accertarsi sempre che l'utensile sia spento e staccato dalla presa di corrente prima dell'ispezione o della manutenzione.
- Mai usare benzina, benzene, solventi, alcol e altre sostanze simili. Potrebbero causare scolorimenti, deformazioni o crepe.

Per preservare la SICUREZZA e l'AFFIDABILITÀ del prodotto, le riparazioni, l'ispezione e la sostituzione della spazzola di carbone o qualsiasi altra manutenzione e regolazione devono essere eseguite da un centro assistenza Makita autorizzato usando sempre ricambi Makita.

## ACCESSORI OPZIONALI

### ⚠ ATTENZIONE:

- Questi accessori o attrezzi sono consigliati per l'uso con l'utensile Makita specificato in questo manuale. L'impiego di altri accessori o attrezzi può costituire un rischio di lesioni alle persone. Usare gli accessori soltanto per il loro scopo prefissato.

Per ottenere maggiori dettagli su questi accessori, rivolgersi a un centro assistenza Makita locale.

- Punta disco
- Gruppo cono bussola chiusura (3 mm, 6 mm, 8 mm, 1/4", 1/8")
- Supporto morsetto
- Chiave 13
- Chiave 19
- Gruppo manico laterale

### NOTA:

- Alcuni articoli nella lista potrebbero essere inclusi nell'imballo dell'utensile come accessori standard. Essi potrebbero differire da Paese a Paese.

ENG905-1

### Rumore

Il tipico livello di rumore pesato A determinato secondo EN60745:

#### Modello GD0801C

Livello pressione sonora ( $L_{pA}$ ): 80 dB (A)  
Livello di potenza sonora ( $L_{WA}$ ): 91 dB (A)  
Incertezza (K): 3 dB (A)

#### Modello GD0811C

Livello pressione sonora ( $L_{pA}$ ): 78 dB (A)  
Incertezza (K): 3 dB (A)

Il livello di rumore durante il lavoro potrebbe superare gli 80 dB (A).

### Indossare i paraorecchie

ENG900-1

### Vibrazione

Il valore totale di vibrazione (somma vettore triassiale) determinato secondo EN60745:

#### Modello GD0801C

Modalità operativa: smerigliatura superficie  
Emissione di vibrazioni ( $a_{hv}$ ): 3,5 m/s<sup>2</sup>  
Incertezza (K): 1,5 m/s<sup>2</sup>

#### Modello GD0811C

Modalità operativa: smerigliatura superficie  
Emissione di vibrazioni ( $a_{hv}$ ): 2,5 m/s<sup>2</sup> o meno  
Incertezza (K): 1,5 m/s<sup>2</sup>

ENG901-1

- Il valore di emissione delle vibrazioni dichiarato è stato misurato conformemente al metodo di test standard, e può essere usato per paragonare un utensile con un altro.
- Il valore di emissione delle vibrazioni dichiarato può anche essere usato per una valutazione preliminare dell'esposizione.

### ⚠ AVVERTIMENTO:

- L'emissione delle vibrazioni durante l'uso reale dell'utensile elettrico può differire dal valore di emissione dichiarato a seconda dei modi in cui viene usato l'utensile.

- Accertarsi di identificare le misure di sicurezza per la protezione dell'operatore basate sulla stima dell'esposizione nelle condizioni reali d'utilizzo (tenendo presente tutte le parti del ciclo operativo, come le volte in cui l'utensile viene spento e quando gira a vuoto, oltre al tempo di funzionamento).

ENH101-18

### **Modello per l'Europa soltanto**

#### **Dichiarazione CE di conformità**

##### **Makita dichiara che la macchina seguente:**

Designazione della macchina:

Smerigliatrice diritta

Modello No./ Tipo: GD0801C, GD0811C

##### **Conforme alle Direttive Europee:**

2006/42/CE

È stata fabbricata in conformità allo standard e ai documenti standardizzati seguenti:

EN60745

La documentazione tecnica conforme 2006/42/CE è disponibile da:

Makita, Jan-Baptist Vinkstraat 2, 3070, Belgio

14.2.2014



Yasushi Fukaya  
Amministratore

Makita, Jan-Baptist Vinkstraat 2, 3070, Belgio

**Verklaring van algemene gegevens**

1	Uitstand-borgknop	5	Steeksleutel 19	9	Loszetten
2	Schakelhendel	6	Steeksleutel 13	10	Max. 8 mm (5/16")
3	Snelheidsregelaar	7	Klembusmoer		
4	Zijhandgreep	8	Vastdraaien		

**TECHNISCHE GEGEVENS**

Model		GD0801C	GD0811C
Klembusmaat		Max. 8 mm	Max. 8 mm
Maximale slijpwioldiameter	Maximale wioldiameter	25 mm	50 mm
	Maximale aslengte	40 mm	40 mm
Nominale snelheid (n) / Onbelaste snelheid (n <sub>0</sub> )		29 000 min <sup>-1</sup>	7 000 min <sup>-1</sup>
Totale lengte		390 mm	390 mm
Nettogewicht		2,0 kg	2,0 kg
Veiligheidsklasse		□/II	

GEB034-9

- Vanwege ons voortgaand onderzoeks- en ontwikkelingsprogramma kunnen de bijgaande technische gegevens zonder voorafgaande kennisgeving worden gewijzigd.
- De technische gegevens kunnen van land tot land verschillen.
- Gewicht volgens de EPTA-procedure 01/2003

ENE050-1

**Doeleinden van gebruik**

Het gereedschap is bestemd voor het slijpen van ijzerhoudende materialen of het afbramen van gietstukken.

ENF002-2

**Stroomvoorziening**

Het gereedschap mag alleen worden aangesloten op een stroombron van hetzelfde voltage als aangegeven op de naamplaat, en kan alleen op enkel-fase wisselstroom worden gebruikt. Het gereedschap is dubbel-geïsoleerd en kan derhalve ook op een niet-geaard stopcontact worden aangesloten.

GEA010-1

**Algemene veiligheidswaarschuwingen voor elektrisch gereedschap**

**⚠ WAARSCHUWING!** Lees alle veiligheidswaarschuwingen en alle instructies. Het niet volgen van de waarschuwingen en instructies kan leiden tot elektrische schokken, brand en/of ernstig letsel.

**Bewaar alle waarschuwingen en instructies om in de toekomst te kunnen raadplegen.**

**VEILIGHEIDSWAARSCHUWINGEN SPECIEFIEK VOOR EEN STEPELSLIJPMACHINE**

**Gemeenschappelijke veiligheidswaarschuwingen voor slijpwerkzaamheden:**

1. **Dit elektrisch gereedschap is bedoeld voor gebruik als slijpgereedschap. Lees alle veiligheidsvoorschriften, aanwijzingen, afbeeldingen en technische specificaties behorend bij dit gereedschap aandachtig door.** Als u niet alle onderstaande aanwijzingen naleeft, kan dat resulteren in brand, elektrische schokken en/of ernstig letsel.
2. **Wij adviseren u werkzaamheden zoals schuren, draadborstelen, polijsten of doorslijpen niet uit te voeren met dit elektrisch gereedschap.** Werkzaamheden waarvoor dit elektrisch gereedschap niet is bedoeld kunnen gevaarlijke situaties opleveren en tot persoonlijk letsel leiden.
3. **Gebruik geen accessoires die niet specifiek ontworpen en goedgekeurd zijn door de fabrikant van dit gereedschap.** Ook al past een accessoire wel op uw elektrisch gereedschap, dan nog staat dit niet altijd garant voor een veilige werking.
4. **Het nominale toerental van het accessoire moet minstens gelijk zijn aan het maximumtoerental vermeld op het elektrisch gereedschap.** Accessoires die met een hoger toerental draaien dan hun nominaal toerental kunnen stuk breken en in het rond vliegen.
5. **De buitendiameter en de dikte van het accessoire moet binnen het capaciteitsbereik van het elektrisch gereedschap vallen.** Accessoires met verkeerde afmetingen kunnen niet afdoende worden afgeschermd of beheerst.

6. **De asdiameter van accessoires moet goed passen in de klembus van het elektrisch gereedschap.** Accessoires met een asdiameter die niet past binnen de montage delen van het elektrisch gereedschap zullen niet in evenwicht draaien, buitensporig trillen en kunnen leiden tot verlies van controle over het gereedschap.
7. **Accessoires met een inzetpil moeten volledig in de klembus of spantang worden gestoken.** Als de inzetpil niet stevig genoeg wordt vastgehouden en/of het slijp wiel te ver uitsteekt, kan het accessoire losraken en met hoge snelheid worden weggeslingerd.
8. **Gebruik nooit een beschadigd accessoire. Inspecteer het accessoire vóór ieder gebruik, bijvoorbeeld een slijpschijf op ontbrekende schijfs en barsten. Nadat het elektrisch gereedschap of het accessoire is gevallen, inspecteer u het op schade of monteert u een onbeschadigd accessoire. Na inspectie en montage van een accessoire, zorgt u ervoor dat u en omstanders niet in het rotatievlak van het accessoire staan, en laat u het elektrisch gereedschap draaien op het maximaal, onbelast toerental gedurende één minuut.** Beschadigde accessoires breken normaal gesproken in stukken gedurende deze testduur.
9. **Draag beschermende kleding en dergelijke. Afhankelijk van de toepassing gebruikt u een gezichtsscherm, een beschermende bril of een veiligheidsbril. Al naar gelang van toepassing draagt u een stofmasker, gehoorbeschermers, handschoenen en een werkschort die in staat zijn kleine stukjes slijpsel of werkstukfragmenten te weerstaan.** Een afdoende oogbescherming moet in staat zijn om tijdens het werk rondvliegende spaanders of scherp gruis tegen te houden. Het stofmasker of ademhalingsapparaat moet alle vrijkomende deeltjes uit de lucht die u inademt te filteren. Langdurige blootstelling aan hard lawaai kan uw gehoor aantasten.
10. **Houd omstanders op veilige afstand tijdens het gebruik van elektrisch gereedschap. Iedereen die uw werkterrein betreedt, moet beschermende kleding dragen.** Er zouden splinters van uw werkstuk of van een afgebroken accessoire kunnen rondvliegen, met kans op verwondingen, ook buiten uw onmiddellijke werkomgeving.
11. **Houd elektrisch gereedschap uitsluitend vast aan het geïsoleerde oppervlak van de handgrepen wanneer u werkt op plaatsen waar het slijpaccessoire met verborgen bedrading of zijn eigen snoer in aanraking kan komen.** Als een draad die onder stroom staat wordt ingesneden, kunnen de metalen delen van het gereedschap ook onder stroom komen te staan en kunt u een gevaarlijke schok krijgen.
12. **Houd het gereedschap altijd stevig in de hand(en) tijdens het opstarten.** Het reactiekoppel van de motor bij het op volle toeren komen zou het gereedschap uit uw handen kunnen wringen.
13. **Gebruik zo mogelijk altijd een bankschroef of klemmen om uw werkstuk vast te zetten. Houd een klein werkstuk tijdens het werk nooit in één hand met het gereedschap in de andere hand.** Als u een klein werkstuk vastklemt houdt u de handen vrij om het gereedschap te bedienen. Ronde werkstukken zoals paspenen, pijpen of buizen hebben de neiging tijdens het doorsnijden weg te rollen, waarbij het slijp wiel vast kan raken of naar u toe kan springen.
14. **Zorg dat het snoer uit de buurt blijft van het draaiend werktuig.** Als u de controle verliest over het gereedschap, kan het snoer worden doorgesneden of bekneld raken en kan uw hand of arm tegen het ronddraaiende werktuig worden aangetrokken.
15. **Leg het gereedschap altijd pas neer nadat het werktuig volledig tot stilstand is gekomen.** Als het werktuig nog draait, kan het de ondergrond aangrijpen en het gereedschap uit uw handen trekken.
16. **Na het verwisselen van het slijp wiel of het maken van afstellingen dient u te zorgen dat de klembusmoer, spantang of andere montage delen weer stevig vast zitten.** Loszittende montage delen kunnen onverwachts verschuiven, waardoor u de controle over het gereedschap kunt verliezen en er losgeraakte onderdelen kunnen worden weggeslingerd.
17. **Loop niet met het gereedschap terwijl het nog draait.** Als het ronddraaiende accessoire u per ongeluk raakt, kan het verstrikt raken in uw kleding waardoor het accessoire in uw lichaam wordt getrokken.
18. **Maak de ventilatieopeningen van het gereedschap regelmatig schoon.** De ventilator van de motor zal het stof de behuizing in trekken, en een grote opeenhoping van metaalslijpsel kan leiden tot elektrisch gevaarlijke situaties.
19. **Gebruik het gereedschap niet in de buurt van licht ontvlambare materialen.** Als er vonken overspringen, zou er brand kunnen ontstaan.
20. **Gebruik geen accessoires waarvoor koeling met vloeistof vereist is.** Het gebruik van water of een andere koelvloeistof kan leiden tot een elektrische schok, met gevaar voor elektrocutie.

#### **Terugslag en aanverwante waarschuwingen**

Terugslag is een plotselinge heftige reactie op een bekneld of vastgelopen draaiend accessoire. Het knel raken of vastlopen veroorzaakt een snelle stilstand van het draaiende accessoire, wat op zijn beurt ertoe leidt dat het elektrisch gereedschap zich ongecontroleerd beweegt in de richting tegengesteld aan de draairichting van het accessoire.

Bijvoorbeeld, als een slijpschijf bekneld raakt of vastloopt in het werkstuk, kan de rand van de schijf die het beknellingspunt ingaat, zich invreten in het oppervlak van het materiaal waardoor de schijf eruit klimt of eruit slaat. De schijf kan daarbij naar de gebruiker toe of weg springen, afhankelijk van de draairichting van de schijf op het beknellingspunt. Slijpschijven kunnen in dergelijke situaties ook breken.

Terugslag is het gevolg van misbruik van het elektrisch gereedschap en/of onjuiste gebruiksprocedures of -omstandigheden, en kan worden voorkomen door goede voorzorgsmaatregelen te treffen, zoals hieronder vermeld.

- a) **Houd het gereedschap stevig vast en houd uw armen en lichaam zodanig dat u in staat bent een terugslag op te vangen.** De gebruiker kan een terugslag of de koppelreactiekrachten opvangen indien de juiste voorzorgsmaatregelen worden getroffen.
- b) **Wees bijzonder voorzichtig bij het werken met hoeken, scherpe randen, enz. Voorkom dat het accessoire springt of bekneld raakt.** Hoeken, scherpe randen of springen veroorzaken vaak beknellen van het draaiende accessoire wat leidt tot terugslag of verlies van controle over het gereedschap.
- c) **Bevestig nooit een zaagblad met vertanding.** Dergelijke bladen leiden vaak tot terugslag of verlies van controle over het gereedschap.
- d) **Beweeg altijd het slijpwiël in het materiaal in dezelfde richting als de snijrand uit het materiaal tevoorschijn komt (dus dezelfde richting als waarin spaanders en slijpsel wegsputten).** Als u het gereedschap in de verkeerde richting beweegt, kan de snijrand uit het materiaal omhoogklimmen en het gereedschap verder in die toevoerrichting trekken.

- 30. **Als uw werkplaats bijzonder heet en vochtig is, of erg verontreinigd door elektrisch geleidend stof, gebruikt u een kortsluitstroomonderbreker (30 mA) in het belang van uw veiligheid.**
- 31. **Gebruik het gereedschap niet op materiaal dat asbest bevat.**
- 32. **Zorg ook altijd dat u stevig op een solide bodem staat. Let bij het werken op hoge plaatsen op dat er zich niemand recht onder u bevindt.**

**BEWAAR DEZE VOORSCHRIFTEN.**

**⚠ WAARSCHUWING:**  
**LAAT NIET uw vertrouwdheid met het gereedschap (na regelmatig gebruik) omslaan in slordigheid of onachtzaamheid omtrent de strikt na te leven veiligheidsvoorschriften voor dit product.**  
**VERKEERD GEBRUIK** of het niet naleven van de veiligheidsvoorschriften in deze gebruiksaanwijzing kan leiden tot ernstige verwondingen.

**BESCHRIJVING VAN DE FUNCTIES**

**⚠ LET OP:**  
 • Zorg altijd dat het gereedschap is uitgeschakeld en de stekker uit het stopcontact is verwijderd alvorens de functies op het gereedschap te controleren of af te stellen.

**Werking van de schakelaar (Fig. 1 en 2)**

**⚠ LET OP:**  
 • Alvorens u de stekker in het stopcontact steekt, controleert u altijd even of de schakelhendel soepel werkt en bij loslaten direct naar de uitstand terugkeert.  
 • Trek de schakelhendel niet met kracht in zonder eerst de uitstand-borgknop in te drukken. Anders zou de schakelaar defect kunnen raken.

Om per ongeluk indrukken van de schakelhendel te voorkomen, is er voorzien in een uitstand-borgknop.

Om het gereedschap te starten, schuift u de uitstand-borgknop naar u toe en trekt u vervolgens de schakelhendel in. Om te stoppen laat u de schakelhendel los.

**Snelheidsregelaar (Fig. 3)**

U kunt het toerental van het gereedschap regelen door de snelheidsregelaar in te stellen op de gewenste stand, genummerd van 1 tot 5.

Een hoger toerental verkrijgt u door de snelheidsregelaar in de richting van nummer 5 te draaien. Voor een lager toerental draait u de knop dichtër naar de 1 toe.

Zie de tabel voor de overeenkomst tussen de cijfers op de snelheidsregelaar en het ongeveer daarbij behorende toerental van het gereedschap.

	GD0801C	GD0811C
Cijfer	min <sup>-1</sup> (tpm)	min <sup>-1</sup> (tpm)
1 – 2	7 000 – 10 000	1 800 – 2 400
2 – 3	10 000 – 17 000	2 400 – 4 100
3 – 4	17 000 – 24 000	4 100 – 5 800
4 – 5	24 000 – 29 000	5 800 – 7 000

014992

**Veiligheidsaanschuwingen specifiek voor slijpwerkzaamheden:**

- a) **Gebruik alleen de slijpwielen die voor uw gereedschap zijn aanbevolen en dan alleen voor de aanbevolen toepassingen.**
- b) **Houd nooit uw hand direct midden achter het draaiende slijpwiël.** Als het slijpwiël bij aanraking met het werkstuk van uw hand af beweegt, zou een mogelijke terugslag het draaiende slijpwiël en het elektrisch gereedschap recht naar u toe kunnen doen springen.

**Aanvullende veiligheidsaanschuwingen:**

- 21. **Het gereedschap is bestemd voor gebruik met gelijmde gruislijpwielen (slijpstenen) die vast zijn gemonteerd op een gladde inzetspil (as) zonder schroefdraad.**
- 22. **Zorg ervoor dat de schijf niet in aanraking is met het werkstuk voordat u het gereedschap inschakelt.**
- 23. **Voordat u het gereedschap op een werkstuk gaat gebruiken, laat u het eerst even proefdraaien. Controleer op trillingen of schommelingen die op onjuiste montage of een slecht uitgebalanceerd schijf kunnen wijzen.**
- 24. **Gebruik de aangegeven kant van de schijf om mee te slijpen.**
- 25. **Wees alert op rondvliegende vonken. Houd het gereedschap zodanig vast dat de vonken wegvliegen van u en andere personen of brandbare materialen.**
- 26. **Laat het gereedschap niet ingeschakeld achter. Schakel het gereedschap alleen in wanneer u het stevig vasthoudt.**
- 27. **Raak het werkstuk niet onmiddellijk na gebruik aan. Dit kan bijzonder heet zijn en brandwonden op uw huid veroorzaken.**
- 28. **Houd u aan de instructies van de fabrikant voor juiste montage en gebruik van de schijven. Behandel en bewaar de schijven zorgvuldig.**
- 29. **Controleer dat het werkstuk goed wordt ondersteund.**



### LET OP:

- Als u het gereedschap lang achtereen op lage snelheden gebruikt, kan de motor overbelast raken, hetgeen tot een defect kan leiden.
- De snelheidsregelaar kan enkel tot 5 en terug tot 1 gedraaid worden. Probeer niet om de regelaar voorbij de 5 of verder terug dan 1 te draaien, anders kan de snelheidsregeling defect raken.

## INEENZETTEN

### LET OP:

- Zorg altijd dat het gereedschap is uitgeschakeld en de stekker uit het stopcontact is verwijderd alvorens enig werk aan het gereedschap uit te voeren.

### Aanbrengen van de zijhandgreep (Fig. 4)

Gebruik in het belang van uw veiligheid altijd de zijhandgreep.

Plaats de zijhandgreep op de neus van het gereedschapshuis en zet de handgreep vast door die in de gewenste stand rechtsom te draaien.

### Aanbrengen of verwijderen van een slijpwiël (Fig. 5 en 6)

Draai de klembusmoer los en steek het slijpwiël in de klembusmoer. Gebruik de kleinere steeksleutel om de as vast te houden en de grotere steeksleutel om de klembusmoer stevig vast te draaien.

Na vastmaken mag het slijpwiël niet meer dan 8 mm van de klembusmoer verwijderd zijn. Als deze afstand wordt overschreden, kan dat trillingen veroorzaken, met kans op asbreuk.

Om het slijpwiël te verwijderen, volgt u de aanwijzingen voor het aanbrengen in omgekeerde volgorde.

### LET OP:

- Gebruik de juiste klembuskegelmaat voor het formaat slijpwiël dat u wilt gebruiken.

## BEDIENING

### LET OP:

- Houd het gereedschap altijd stevig vast met één hand aan de behuizing en de andere hand aan de zijhandgreep.
- Oefen lichte druk uit op het gereedschap. Overmatige druk op het gereedschap leidt enkel tot een mindere afwerking en overbelasting van de motor.

Schakel eerst het gereedschap in zonder dat het slijpwiël enig contact maakt met het werkstuk en wacht tot het slijpwiël op volle toeren draait. Vervolgens drukt u het slijpwiël voorzichtig tegen het werkstuk. Voor een goede afwerking beweegt u het gereedschap langzaam naar links.

## ONDERHOUD

### LET OP:

- Zorg altijd dat het gereedschap is uitgeschakeld en de stekker uit het stopcontact is verwijderd alvorens te beginnen met inspectie of onderhoud.
- Gebruik nooit benzine, wasbenzine, thinner, alcohol en dergelijke. Hierdoor kunnen vervuilingen, vervormingen en barsten worden veroorzaakt.

Om de VEILIGHEID en BETROUWBAARHEID van het gereedschap te handhaven, dienen alle reparaties, inspectie en vervanging van de koolborstels, en alle andere onderhoudswerkzaamheden of afstellingen te worden uitgevoerd bij een erkend Makita servicecentrum, en altijd met gebruik van originele Makita vervangingsonderdelen.

## OPTIONELE ACCESSOIRES

### LET OP:

- Deze accessoires of hulpstukken worden aanbevolen voor gebruik met het Makita gereedschap dat in deze gebruiksaanwijzing is beschreven. Bij gebruik van andere accessoires of hulpstukken bestaat er gevaar voor persoonlijke verwonding. Gebruik de accessoires of hulpstukken uitsluitend voor hun bestemde doel.

Raadpleeg het dichtstbijzijnde Makita servicecentrum voor verder advies of bijzonderheden omtrent deze accessoires.

- Slijpwielen
- Klembuskegelset (3 mm, 6 mm, 8 mm, 1/4", 1/8")
- Klembushouder
- Steeksleutel 13
- Steeksleutel 19
- Zijhandgreepset

### OPMERKING:

- Sommige onderdelen in deze lijst kunnen bij het gereedschap zijn meegeleverd als standaard-accessoires. Deze kunnen van land tot land verschillen.

ENG905-1

### Geluidsniveau

De typisch, A-gewogen geluidsniveaus vastgesteld volgens EN60745:

#### Model GD0801C

Geluidsdruk niveau ( $L_{pA}$ ): 80 dB (A)

Geluidsvermogen niveau ( $L_{WA}$ ): 91 dB (A)

Onnauwkeurigheid (K): 3 dB (A)

#### Model GD0811C

Geluidsdruk niveau ( $L_{pA}$ ): 78 dB (A)

Onnauwkeurigheid (K): 3 dB (A)

Tijdens het werken kan het geluidsniveau 80 dB (A) overschrijden.

### Draag oorbeschermers

ENG900-1

### Trilling

De totaalwaarde van de trillingen (triaxiale vectorsom) vastgesteld volgens EN60745:

#### Model GD0801C

Toepassing: oppervlak slijpen

Trillingsemissie ( $a_{h1}$ ): 3,5 m/s<sup>2</sup>

Onnauwkeurigheid (K): 1,5 m/s<sup>2</sup>

#### Model GD0811C

Toepassing: oppervlak slijpen

Trillingsemissie ( $a_{h1}$ ): 2,5 m/s<sup>2</sup> of minder

Onnauwkeurigheid (K): 1,5 m/s<sup>2</sup>

- De opgegeven trillingsemissiewaarde is gemeten volgens de standaardtestmethode en kan worden gebruikt om dit gereedschap te vergelijken met andere gereedschappen.
- De opgegeven trillingsemissiewaarde kan ook worden gebruikt voor een beoordeling vooraf van de blootstelling.

**⚠ WAARSCHUWING:**

- De trillingsemissie tijdens het gebruik van het elektrisch gereedschap in de praktijk kan verschillen van de opgegeven trillingsemissiewaarde afhankelijk van de manier waarop het gereedschap wordt gebruikt.
- Zorg ervoor dat veiligheidsmaatregelen worden getroffen ter bescherming van de operator die zijn gebaseerd op een schatting van de blootstelling onder praktijkomstandigheden (rekening houdend met alle fasen van de bedrijfscyclus, zoals de tijdsduur gedurende welke het gereedschap is uitgeschakeld en stationair draait, naast de ingeschakelde tijdsduur).

ENH101-18

**Alleen voor Europese landen**

**EU-Verklaring van Conformiteit**

**Makita verklaart hierbij dat de volgende machine(s):**

Aanduiding van de machine:

Stempelslijpmachine

Modelnr./ Type: GD0801C, GD0811C

**Voldoet aan de volgende Europese Richtlijnen:**

2006/42/EU

Ze zijn gefabriceerd in overeenstemming met de volgende norm of genormaliseerde documenten:

EN60745

Het technisch documentatiebestand volgens 2006/42/EU is verkrijgbaar in:

Makita, Jan-Baptist Vinkstraat 2, 3070, België

14.2.2014



Yasushi Fukaya  
Directeur

Makita, Jan-Baptist Vinkstraat 2, 3070, België

**Explicación de los dibujos**

- |                                      |                               |                      |
|--------------------------------------|-------------------------------|----------------------|
| 1 Palanca de desbloqueo              | 4 Empuñadura lateral          | 8 Apretar            |
| 2 Interruptor de palanca             | 5 Llave de 19                 | 9 Aflojar            |
| 3 Dial de regulación de la velocidad | 6 Llave de 13                 | 10 8 mm (5/16") Máx. |
|                                      | 7 Tuerca del casquillo cónico |                      |

**ESPECIFICACIONES**

Modelo		GD0801C	GD0811C
Tamaño del casquillo cónico		Máx. 8 mm	Máx. 8 mm
Diámetro máximo de la punta de esmerilar	Diámetro máximo de la punta	25 mm	50 mm
	Longitud máximo del mandril (espiga)	40 mm	40 mm
Velocidad nominal (n) / Velocidad sin carga (n <sub>0</sub> )		29.000 min <sup>-1</sup>	7.000 min <sup>-1</sup>
Longitud total		390 mm	390 mm
Peso neto		2,0 kg	2,0 kg
Clase de seguridad		□/II	

- Debido a nuestro continuado programa de investigación y desarrollo, las especificaciones indicadas aquí están sujetas a cambio sin previo aviso.
- Las especificaciones pueden ser diferentes de país a país.
- Peso de acuerdo con el procedimiento EPTA 01/2003

GEB034-9

**ADVERTENCIAS DE SEGURIDAD PARA LA RECTIFICADOR**

**Advertencias de seguridad comunes para la operación de amolar:**

1. **Esta herramienta eléctrica ha sido prevista para funcionar como amoladora. Lea todas las advertencias de seguridad, instrucciones, ilustraciones y especificaciones previstas con esta herramienta eléctrica.** Si no sigue todas las instrucciones indicadas a continuación, podrá ocasionar una descarga eléctrica, un incendio y/o heridas graves.
2. **Operaciones tales como lijado, cepillado con alambres, pulido o corte no se recomienda realizarlas con esta herramienta eléctrica.** Las operaciones para las que la herramienta eléctrica no ha sido diseñada podrán crear una situación de riesgo y ocasionar heridas personales.
3. **No utilice accesorios que no estén específicamente diseñados y recomendados por el fabricante de la herramienta.** Solamente porque el accesorio pueda ser instalado en su herramienta eléctrica, no quiere decir que su operación sea segura.
4. **La velocidad nominal del accesorio deberá ser al menos igual que la velocidad máxima marcada en la herramienta eléctrica.** Si los accesorios se usan a velocidad más alta de la velocidad nominal pueden romperse y salir despedidos.
5. **El diámetro exterior y el espesor de su accesorio deberán estar dentro de la capacidad nominal de su herramienta eléctrica.** Los accesorios de tamaño incorrecto no se pueden controlar adecuadamente.

ENE050-1

**Uso previsto**

La herramienta ha sido prevista para esmerilar materiales ferrosos o desbastar piezas fundidas.

ENF002-2

**Alimentación**

La herramienta solamente debe ser conectada a una fuente de alimentación de la misma tensión que la indicada en la placa de características, y solamente puede ser utilizada con corriente alterna monofásica. La herramienta está doblemente aislada y, por consiguiente, también puede utilizarse con tomas de corriente sin conductor de puesta a tierra.

GEA010-1

**Advertencias de seguridad generales para herramientas eléctricas**

**⚠ ¡ADVERTENCIA! Lea todas las advertencias de seguridad y todas las instrucciones.** Si no sigue todas las advertencias e instrucciones podrá ocasionar una descarga eléctrica, un incendio y/o heridas graves.

**Guarde todas las advertencias e instrucciones para futuras referencias.**

6. **El tamaño de la caña de los accesorios deberá encajar debidamente en el casquillo cónico de la herramienta eléctrica.** Los accesorios que no correspondan con el componente de montaje de la herramienta eléctrica se desequilibrarán, vibrarán excesivamente y podrán ocasionar la pérdida del control.
7. **Los accesorios montados en mandril deberán ser insertados a tope en el casquillo cónico o el mandril.** Si el mandril no está bien apretado y/o la caña de la punta de esmerilar es muy larga, el accesorio montado podrá aflojarse y ser lanzado a gran velocidad.
8. **No utilice un accesorio que esté dañado. Antes de cada uso, inspeccione los accesorios tales como las muelas abrasivas para ver si están astillados o agrietados. Si deja caer la herramienta eléctrica o el accesorio, inspecciónelo para ver si está dañado o instale un accesorio que no esté dañado. Después de inspeccionar e instalar un accesorio, póngase usted y los curiosos alejados del plano del accesorio giratorio y haga funcionar la herramienta a velocidad sin carga máxima durante un minuto.** Normalmente, los accesorios dañados se romperán durante este tiempo de prueba.
9. **Póngase equipo de protección personal. En función de la aplicación, utilice pantalla facial, gafas de protección o gafas de seguridad. Según corresponda, póngase mascarilla contra el polvo, protectores auditivos, guantes y delantal de taller que pueda detener los pequeños fragmentos abrasivos o de pieza de trabajo que salgan despedidos.** La protección de los ojos deberá ser capaz de detener los restos que salen volando generados en las diferentes operaciones. La mascarilla contra el polvo o respirador deberá ser capaz de filtrar las partículas generadas en su operación. La exposición prolongada a ruido de alta intensidad podrá ocasionar pérdida auditiva.
10. **Mantenga a los curiosos a una distancia segura alejados del área de trabajo. Cualquier persona que entre en el área de trabajo deberá usar equipo de protección personal.** Los fragmentos de la pieza de trabajo o de un accesorio roto pueden salir volando y ocasionar heridas más allá del área de operación inmediata.
11. **Cuando realice una operación en la que el accesorio de corte pueda entrar en contacto con cableado oculto o con su propio cable, sujete la herramienta eléctrica por las superficies de asimiento aisladas solamente.** El contacto del accesorio de corte con un cable con corriente hará que la corriente circule por las partes metálicas expuestas de la herramienta eléctrica y podrá soltar una descarga eléctrica al operario.
12. **Sujete siempre la herramienta firmemente con la(s) mano(s) durante la puesta en marcha.** La reacción de torsión del motor, al acelerarse hasta plena velocidad, puede hacer que la herramienta se retuerza.
13. **Utilice mordazas para sujetar la pieza de trabajo siempre que sea práctico. No sujete nunca una pieza de trabajo pequeña con una mano y la herramienta con la otra mano mientras utiliza la herramienta.** La sujeción con mordazas de una pieza de trabajo pequeña le permite utilizar la(s) mano(s) para manejar la herramienta. El material redondo como varillas de madera, tubos o tuberías tienden a rodar mientras están siendo cortados, y pueden hacer que el implemento se estanque o salte hacia usted.
14. **Posicione el cable alejado del accesorio giratorio.** Si pierde el control, el cable podrá ser cortado o enredarse y tirar de su mano o brazo hacia el accesorio giratorio.
15. **No deje nunca la herramienta eléctrica hasta que el accesorio se haya detenido completamente.** El accesorio giratorio puede agarrarse en la superficie y tirar de la herramienta eléctrica dejándola fuera de control.
16. **Después de cambiar los implementos o de hacer cualquier ajuste, asegúrese de que la tuerca del casquillo cónico, el mandril o cualquier otro dispositivo de ajuste esté firmemente apretado.** Los dispositivos de ajuste flojos pueden moverse inesperadamente y ocasionar la pérdida del control, y los componentes giratorios flojos serán lanzados violentamente.
17. **No tenga la herramienta eléctrica encendida mientras la lleva en su costado.** Un contacto accidental con el accesorio giratorio podría enganchar sus ropas, y arrastrar el accesorio hacia su cuerpo.
18. **Limpie regularmente los orificios de ventilación de la herramienta eléctrica.** El ventilador del motor atraerá el polvo al interior de la carcasa y una acumulación excesiva del polvo metálico puede ocasionar riesgos eléctricos.
19. **No utilice la herramienta eléctrica cerca de materiales inflamables.** Las chispas pueden prender estos materiales.
20. **No utilice accesorios que requieran refrigerantes líquidos.** La utilización de agua u otros refrigerantes líquidos puede resultar en electrocución o descarga eléctrica.

#### **Retrocesos bruscos y advertencias relacionadas**

El retroceso brusco es una reacción repentina debida a un aprisionamiento o estancamiento del accesorio giratorio. El aprisionamiento o estancamiento ocasiona un detenimiento rápido del accesorio giratorio que a su vez hace que la herramienta eléctrica descontrolada sea forzada en dirección opuesta al giro del accesorio. Por ejemplo, si la muela abrasiva queda aprisionada o estancada por la pieza de trabajo, el borde de la muela que está entrando en el punto de estancamiento puede hincarse en la superficie del material haciendo que la muela se salga de la hendidura o salte. La muela podrá saltar hacia el operario o en dirección contraria a él, dependiendo de la dirección del movimiento de la muela en el punto de estancamiento. Las muelas abrasivas también podrán romperse en estas condiciones. Los retrocesos bruscos se deben a un mal uso de la herramienta eléctrica y/o a procedimientos o condiciones de trabajo incorrectos y pueden evitarse tomando las precauciones indicadas a continuación.

- a) **Mantenga la herramienta eléctrica sujeta firmemente y posicione su cuerpo y brazo de forma que pueda resistir las fuerzas del retroceso brusco.** El operario puede controlar las fuerzas de retroceso brusco, si toma las precauciones apropiadas.
- b) **Utilice especial cuidado cuando trabaje en esquinas, bordes cortantes, etc. Evite que el accesorio rebote o se enganche.** Las esquinas, bordes cortantes o los rebotes tienen la tendencia a enganchar el accesorio giratorio y ocasionar la pérdida de control o retroceso brusco.
- c) **No instale un disco de sierra dentado.** Tales discos crean retrocesos bruscos y pérdida de control frecuentes.
- d) **Desplace siempre el implemento contra el material en la misma dirección que el borde de corte sale del material (que es la misma dirección que salen lanzadas las virutas).** Si la herramienta es desplazada en la dirección incorrecta el borde de corte del implemento saltará fuera de la pieza de trabajo y tirará de la herramienta en la dirección que es desplazada.

**Advertencias de seguridad específicas para amolar:**

- a) **Utilice solamente tipos de discos que están recomendados para su herramienta eléctrica y únicamente para las aplicaciones recomendadas.**
- b) **No ponga la mano en línea y por detrás del disco giratorio.** Cuando el disco, en el momento de la operación, se mueve alejándose de su mano, un posible retroceso brusco puede impulsar el disco giratorio y la herramienta eléctrica directamente hacia usted.

**Advertencias de seguridad adicionales:**

- 21. **La herramienta ha sido prevista para ser utilizada con puntas de esmerilar abrasivas aglomeradas (piedras de esmerilar) montadas permanentemente en mandril (espiga) liso y sin rosca.**
- 22. **Asegúrese de que la muela no esté haciendo contacto con la pieza de trabajo antes de activar el interruptor.**
- 23. **Antes de utilizar la herramienta en una pieza de trabajo definitiva, déjela funcionar durante un rato. Observe para ver si hay vibración o bamboleo que pueda indicar una incorrecta instalación o muela mal equilibrada.**
- 24. **Utilice la superficie especificada del disco para realizar el amolado.**
- 25. **Tenga cuidado con las chispas que salen volando. Sujete la herramienta de forma que las chispas salgan volando en dirección contraria a usted y otras personas o materiales inflamables.**
- 26. **No deje la herramienta en marcha. Tenga en marcha la herramienta solamente cuando la tenga en la mano.**
- 27. **No toque la pieza de trabajo inmediatamente después de la operación; podría estar muy caliente y quemarle la piel.**
- 28. **Observe las instrucciones del fabricante para montar y utilizar de forma correcta las muelas. Maneje y almacene las muelas con cuidado.**
- 29. **Compruebe que la pieza de trabajo esté debidamente apoyada.**

- 30. **Si el lugar de trabajo es muy caluroso y húmedo, o si está muy contaminado con polvo conductor, utilice un ruptor de cortocircuito (30 mA) para garantizar la seguridad del operario.**
- 31. **No utilice la herramienta con ningún material que contenga asbestos.**
- 32. **Asegúrese siempre de que tiene suelo firme. Asegúrese de que no haya nadie debajo cuando utilice la herramienta en lugares altos.**

**GUARDE ESTAS INSTRUCCIONES.**

**⚠ ADVERTENCIA:**

**No deje que la comodidad o familiaridad con el producto (a base de utilizarlo repetidamente) sustituya la estricta observancia de las normas de seguridad para el producto en cuestión. El MAL USO o el no seguir las normas de seguridad establecidas en este manual de instrucciones podrá ocasionar graves heridas personales.**

**DESCRIPCIÓN DEL FUNCIONAMIENTO**

**⚠ PRECAUCIÓN:**

- **Asegúrese siempre de que la herramienta esté apagada y desenchufada antes de ajustar o comprobar cualquier función de la herramienta.**

**Accionamiento del interruptor (Fig. 1 y 2)**

**⚠ PRECAUCIÓN:**

- **Antes de enchufar la herramienta, compruebe siempre para cerciorarse de que el interruptor de palanca se acciona debidamente y que vuelve a la posición "OFF" cuando lo suelta.**
- **No apriete el interruptor de palanca con fuerza sin presionar hacia dentro la palanca de desbloqueo. Esto podrá ocasionar la rotura del interruptor.**

Para evitar que el interruptor de palanca pueda ser accionado accidentalmente, se ha provisto una palanca de desbloqueo.

Para poner en marcha la herramienta, empuje la palanca de desbloqueo hacia usted y después apriete el interruptor de palanca. Suelte el interruptor de palanca para parar.

**Dial de regulación de la velocidad (Fig. 3)**

La velocidad de la herramienta se puede cambiar girando el dial de regulación de la velocidad a un número de ajuste determinado del 1 al 5.

Se obtendrá mayor velocidad cuando el dial sea girado en la dirección del número 5. Y se obtendrá menor velocidad cuando sea girado en la dirección del número 1.

Consulte la tabla para ver la relación existente entre el número de ajuste del dial y la velocidad aproximada de la herramienta.

	GD0801C	GD0811C
Número	min <sup>-1</sup> (RPM)	min <sup>-1</sup> (RPM)
1 – 2	7.000 – 10.000	1.800 – 2.400
2 – 3	10.000 – 17.000	2.400 – 4.100
3 – 4	17.000 – 24.000	4.100 – 5.800
4 – 5	24.000 – 29.000	5.800 – 7.000

014992

### PRECAUCIÓN:

- Si la herramienta es utilizada continuamente a baja velocidad durante largo tiempo, el motor se sobrecargará, resultando en un mal funcionamiento de la herramienta.
- El dial de regulación de la velocidad puede girarse hasta 5 y de vuelta hasta 1 solamente. No lo fuerce más allá de 5 o 1, o la función de regulación de la velocidad podrá dejar de funcionar.

## MONTAJE

### PRECAUCIÓN:

- Asegúrese siempre de que la herramienta esté apagada y desenchufada antes de realizar cualquier trabajo en ella.

### Instalación de la empuñadura lateral (Fig. 4)

Utilice siempre la empuñadura lateral para garantizar una operación segura.

Instale la empuñadura lateral en el barril de la herramienta, después apriete la empuñadura girándola hacia la derecha a la posición deseada.

### Instalación o desmontaje de la punta de esmerilar (Fig. 5 y 6)

Afije la tuerca del casquillo cónico e inserte la punta de esmerilar en la tuerca del casquillo cónico. Utilice la llave más pequeña para sujetar el eje y la más grande para apretar la tuerca del casquillo cónico firmemente.

La punta de esmerilar no deberá ser montada a más de 8 mm de la tuerca del casquillo cónico. El exceder esta distancia podrá ocasionar vibración o la rotura del eje.

Para desmontar la punta de esmerilar, siga el procedimiento de instalación a la inversa.

### PRECAUCIÓN:

- Utilice un casquillo cónico del tamaño correcto para la punta de esmerilar que va a utilizar.

## OPERACIÓN

### PRECAUCIÓN:

- Sujete siempre la herramienta firmemente con una mano en la carcasa y la otra en la empuñadura lateral.
- Aplique una presión ligera sobre la herramienta. Una presión excesiva sobre la herramienta solamente producirá un mal acabado y una sobrecarga del motor.

Encienda la herramienta sin que la punta de esmerilar esté tocando la pieza de trabajo y espere hasta que la punta de esmerilar adquiera plena velocidad. Después aplique la punta de esmerilar a la pieza de trabajo con cuidado. Para obtener un buen acabado, mueva la herramienta en dirección hacia la izquierda despacio.

## MANTENIMIENTO

### PRECAUCIÓN:

- Asegúrese siempre de que la herramienta esté apagada y desenchufada antes de intentar realizar una inspección o mantenimiento.
- No utilice nunca gasolina, bencina, disolvente, alcohol o similares. Podría producir descoloración, deformación o grietas.

Para mantener la SEGURIDAD y FIABILIDAD del producto, las reparaciones, la inspección y sustitución de la escobilla de carbón, y cualquier otro mantenimiento o ajuste deberán ser realizados en centros de servicios autorizados por Makita, empleando siempre piezas de repuesto de Makita.

## ACCESORIOS OPCIONALES

### PRECAUCIÓN:

- Estos accesorios o aditamentos están recomendados para su uso con la herramienta Makita especificada en este manual. El uso de cualquier otro accesorio o aditamento puede suponer un riesgo de lesiones personales. Utilice el accesorio o aditamento exclusivamente para su uso declarado.

Si necesita información más detallada sobre estos accesorios, consulte con su centro local de servicio de Makita.

- Puntas de esmerilar
- Juego de casquillo cónico (3 mm, 6 mm, 8 mm, 1/4", 1/8")
- Tornillo de banco
- Llave de 13
- Llave de 19
- Juego de empuñadura lateral

### NOTA:

- Algunos elementos de la lista podrán estar incluidos en el paquete de la herramienta como accesorios estándar. Pueden variar de un país a otro.

ENG905-1

## Ruido

El nivel de ruido A-ponderado típico determinado de acuerdo con la norma EN60745:

### Modelo GD0801C

Nivel de presión sonora ( $L_{pA}$ ): 80 dB (A)

Nivel de potencia sonora ( $L_{WA}$ ): 91 dB (A)

Incerteza (K): 3 dB (A)

### Modelo GD0811C

Nivel de presión sonora ( $L_{pA}$ ): 78 dB (A)

Incerteza (K): 3 dB (A)

El nivel de ruido en condiciones de trabajo puede que sobrepase los 80 dB (A).

### Póngase protectores en los oídos

ENG900-1

## Vibración

El valor total de la vibración (suma de vectores triaxiales) determinado de acuerdo con la norma EN60745:

### Modelo GD0801C

Modo tarea: esmerilado superficial

Emisión de vibración ( $a_h$ ): 3,5 m/s<sup>2</sup>

Incerteza (K): 1,5 m/s<sup>2</sup>

### Modelo GD0811C

Modo tarea: esmerilado superficial

Emisión de vibración ( $a_h$ ): 2,5 m/s<sup>2</sup> o menos

Incerteza (K): 1,5 m/s<sup>2</sup>

- El valor de emisión de vibración declarado ha sido medido de acuerdo con el método de prueba estándar y se puede utilizar para comparar una herramienta con otra.
- El valor de emisión de vibración declarado también se puede utilizar en una valoración preliminar de exposición.

**⚠ ADVERTENCIA:**

- La emisión de vibración durante la utilización real de la herramienta eléctrica puede variar del valor de emisión declarado dependiendo de las formas en las que la herramienta sea utilizada.
- Asegúrese de identificar medidas de seguridad para proteger al operario que estén basadas en una estimación de la exposición en las condiciones reales de utilización (teniendo en cuenta todas las partes del ciclo operativo tal como las veces cuando la herramienta está apagada y cuando está funcionando en vacío además del tiempo de gatillo).

ENH101-18

**Para países europeos solamente**

**Declaración de conformidad CE**

**Makita declara que la(s) máquina(s) siguiente(s):**

Designación de máquina:

Rectificador

Modelo N°/ Tipo: GD0801C, GD0811C

**Cumplen con las directivas europeas siguientes:**

2006/42/CE

Están fabricadas de acuerdo con las normas o documentos normalizados siguientes:

EN60745

El archivo técnico de acuerdo con la norma 2006/42/CE está disponible en:

Makita, Jan-Baptist Vinkstraat 2, 3070, Bélgica

14.2.2014



Yasushi Fukaya  
Director

Makita, Jan-Baptist Vinkstraat 2, 3070, Bélgica

**Explicação geral**

1 Patilha de desbloqueio	4 Pega lateral	8 Apertar
2 Alavanca do interruptor	5 Chave 19	9 Desapertar
3 Indicador de ajuste da velocidade	6 Chave 13	10 8 mm (5/16") Máx.
	7 Porca de engaste	

**ESPECIFICAÇÕES**

Modelo		GD0801C	GD0811C
Dimensão do engaste		Máx. 8 mm	Máx. 8 mm
Diâmetro máx. do ponto da roda	Diâmetro máx. da roda	25 mm	50 mm
	Comprimento máx. do mandril (haste)	40 mm	40 mm
Velocidade nominal (n) / Velocidade em vazio (n <sub>0</sub> )		29.000 min <sup>-1</sup>	7.000 min <sup>-1</sup>
Comprimento total		390 mm	390 mm
Peso líquido		2,0 kg	2,0 kg
Classe de segurança		II/III	

- Devido a um programa contínuo de pesquisa e desenvolvimento, estas especificações podem ser alteradas sem aviso prévio.
- As especificações podem variar de país para país.
- Peso de acordo com o Procedimento 01/2003 da EPTA (European Power Tool Association)

GEB034-9

**AVISOS DE SEGURANÇA PARA A RETIFICADEIRA**

**Advertências de segurança comuns para esmerilar:**

1. **Esta ferramenta tem por finalidade funcionar como uma retificadeira. Leia todos os avisos de segurança, instruções, ilustrações e especificações fornecidos com esta ferramenta eléctrica.** O desrespeito de todas as instruções abaixo pode resultar em choque eléctrico, incêndio e/ou ferimento grave.
2. **Operações como limamento, limpeza com escova metálica, polimento ou serragem não são recomendadas com esta ferramenta eléctrica.** A utilização da ferramenta para finalidades diferentes pode ser perigosa e provocar ferimentos pessoais.
3. **Não use acessórios que não sejam especificamente concebidos e recomendados pelo fabricante da ferramenta.** Somente porque o acessório pode ser acoplado à sua ferramenta eléctrica, isso não assegura a operação segura.
4. **A velocidade nominal do acessório deve ser pelo menos igual à velocidade máxima marcada na ferramenta.** Os acessórios que funcionam mais rápido do que a velocidade nominal podem partir-se e serem arremessados.
5. **O diâmetro externo e a espessura do acessório devem estar dentro da taxa de utilização da capacidade da ferramenta.** Não é possível controlar adequadamente acessórios de tamanho incorrecto.
6. **O tamanho da fixação do acessório tem de ser adequado para receber a ferramenta eléctrica.** Os acessórios que não correspondem ao hardware de montagem da ferramenta eléctrica ficam desequilibrados, vibram excessivamente e podem provocar perda de controlo.

ENE050-1

**Utilização a que se destina**

A ferramenta deve ser utilizada para lixar materiais ferrosos ou para rebarbar fundições.

ENF002-2

**Alimentação**

A ferramenta só deve ser ligada a uma fonte de alimentação com a mesma voltagem da indicada na placa de características, e só funciona com alimentação CA monofásica. Tem um sistema de isolamento duplo e pode, por isso, utilizar também tomadas sem ligação à terra.

GEA010-1

**Avisos gerais de segurança para ferramentas eléctricas**

**⚠ AVISO! Leia todos os avisos de segurança e todas as instruções.** O não cumprimento de todos os avisos e instruções pode originar choque eléctrico, incêndio e/ou ferimentos graves.

**Guarde todos os avisos e instruções para futuras referências.**



7. **Os acessórios montados no mandril têm de ser inseridos até ao fim dentro do engaste ou da bucha.** Se o mandril não ficar bem fixo e/ou a sobre-elevação da roda for demasiado longa, o acessório montado pode soltar-se e ser arremessado a alta velocidade.
  8. **Não utilize acessórios danificados. Antes de cada utilização, inspecione os acessórios, tal como o disco abrasivo para ver se está lascado ou trincado. Se a ferramenta ou acessório cair, inspecione para ver se está danificado ou instale um acessório não danificado. Depois de inspecionar e instalar um acessório, funcione com a ferramenta na velocidade máxima em vazio por um minuto, assegurando-se de que o acessório rotativo fique afastado de si mesmo e de espectadores.** Em geral, os acessórios danificados quebram-se durante este período de teste.
  9. **Use equipamento de protecção individual. Dependendo da aplicação, use viseira, óculos de protecção ou óculos de segurança. Utilize uma máscara contra pó, protectores auriculares, luvas e avental capazes de resguardar contra estilhaços ou abrasivos pequenos da peça de trabalho.** A protecção para os olhos deve ser capaz de impedir a projecção de detritos gerados por várias operações. A máscara ou respirador anti-poeira deve ser capaz de filtrar as partículas geradas pela sua operação. A exposição prolongada a ruído de alta intensidade pode causar perda auditiva.
  10. **Mantenha as pessoas presentes afastadas da área de trabalho a uma distância segura. Qualquer pessoa que entre na área de trabalho deve usar equipamento de protecção individual.** Os fragmentos da peça de trabalho ou de um acessório partido podem projectar-se e provocar ferimento para além da área imediata de operação.
  11. **Agarre na ferramenta eléctrica somente pelas pegadas isoladas quando executa uma operação em que o acessório de corte possa entrar em contacto com fios ocultos ou com o seu próprio fio.** O acessório de corte que entra em contacto com um fio "vivo" pode tornar as partes metálicas expostas da ferramenta eléctrica "vivas" e causar choque eléctrico ao operador.
  12. **Mantenha sempre a ferramenta firmemente na(s) mão(s) durante o arranque.** O binário de reacção do motor, enquanto acelera até à velocidade máxima, pode fazer com que a ferramenta gire.
  13. **Utilize braçadeiras para suportar a peça de trabalho sempre que seja prático. Nunca segure uma peça de trabalho pequena numa mão e a ferramenta na outra durante a utilização.** Fixar uma peça de trabalho pequena permite-lhe utilizar a(s) mão(s) para controlar a ferramenta. Os materiais circulares, como as hastas de cavilha, tubos ou tubagens têm tendência para rolar quando estão a ser cortados, e podem fazer com que a ponta dobre ou salte na sua direcção.
  14. **Posicione o fio afastado do acessório giratório.** Se perder controlo, o fio pode ser cortado ou prender-se e a sua mão ou braço pode ser puxado para o acessório giratório.
  15. **Nunca pouse a ferramenta eléctrica até o acessório parar por completo.** O acessório giratório pode agarrar a superfície e tirar a ferramenta eléctrica do seu controlo.
  16. **Depois de mudar as brocas ou de fazer quaisquer ajustes, certifique-se de que a porca ou a bicha de engaste, ou quaisquer outros dispositivos de ajuste estão apertados em segurança.** Os dispositivos de ajuste soltos podem mudar de direcção inesperadamente provocando a perda de controlo, bem como os componentes rotativos soltos podem ser arremessados com violência.
  17. **Não deixe a ferramenta eléctrica a funcionar enquanto a transporta ao seu lado.** O contacto accidental com o acessório em rotação pode prender a sua roupa e puxar o acessório na direcção do seu corpo.
  18. **Limpe os orifícios de ventilação da ferramenta regularmente.** A ventoinha do motor atrai o pó dentro da caixa e a acumulação excessiva de metal pulverizado pode causar choque eléctrico.
  19. **Não opere a ferramenta eléctrica próximo de materiais inflamáveis.** As faíscas podem incendiar esses materiais.
  20. **Não use acessórios que precisem de refrigerantes líquidos.** O uso de água ou outros refrigerantes líquidos pode resultar em electrocussão ou choque.
- Advertências sobre recuos**
- O recuo é uma reacção súbita a um acessório rotativo preso ou enganchado. Quando a ferramenta prende ou engancha em algum material faz com que o acessório rotativo pare subitamente o que, por sua vez, descontrola a ferramenta eléctrica que é empurrada na direcção oposta à da rotação do acessório.
- Se o disco abrasivo ficar preso ou emperrado na peça de trabalho, por exemplo, a extremidade que está a entrar no ponto onde prendeu, pode penetrar na superfície do material fazendo com que o disco salte ou cause um recuo. O disco pode pular na direcção do operador ou na direcção oposta, dependendo do sentido do movimento do disco no ponto onde foi preso. Os discos abrasivos também podem quebrar nessas circunstâncias.
- O recuo é o resultado de uso impróprio da ferramenta e/ou condições ou procedimentos incorrectos para o funcionamento e pode ser evitado tomando-se as medidas de precaução relacionadas abaixo.
- a) **Agarre a ferramenta com firmeza e posicione-se de forma que o seu corpo e braço possam resistir ao impulso do recuo.** O operador poderá controlar as forças do recuo se tomar as medidas de precaução necessárias.
  - b) **Tenha cuidado especialmente ao trabalhar em cantos, extremidades afiadas, etc. Evite ressaltar ou prender o acessório.** Cantos, extremidades afiadas ou ressaltos tendem a prender o acessório rotativo e causam perda de controlo ou recuo.
  - c) **Não instale uma lâmina de serra serrilhada.** Este tipo de lâminas cria recuos frequentes e perda de controlo.

- d) Alimento sempre a ponta para dentro do material na mesma direcção em que a extremidade de corte sai do material (que é a mesma direcção em que as lascas do material são arremessadas). Alimentar a ferramenta na direcção errada faz com que a extremidade de corte da ponta suba pela peça de trabalho e empurre a ferramenta na direcção desta alimentação.

#### Advertências de segurança específicas para esmerilar:

- a) Utilize apenas rodas de tipos recomendados para a sua ferramenta eléctrica e apenas para as aplicações recomendadas.
- b) Não coloque a sua mão alinhada com a roda rotativa nem a coloque por trás da mesma. Durante o funcionamento, quando a roda está a afastar-se da sua mão, uma possível força de retorno pode impelir a roda em movimento e a ferramenta directamente na sua direcção.

#### Avisos de segurança adicionais:

21. A ferramenta deve ser utilizada com pontos de rodas abrasivas ligadas (pedras de amolar) montadas permanentemente num mandril plano, não roscado (haste).
22. Antes de ligar a ferramenta, certifique-se de que o disco não faz contacto com a peça de trabalho.
23. Antes de utilizar a ferramenta na peça de trabalho, deixe-a funcionar por alguns instantes. Observe se há vibrações ou movimentos irregulares que possam indicar má instalação ou desbalanceamento do disco.
24. Utilize a superfície especificada da roda para afiar.
25. Tenha cuidado com as faíscas que saltam. Agarre a ferramenta de modo que as faíscas não saltem na sua direcção, na de outras pessoas e nem na direcção de materiais inflamáveis.
26. Não deixe a ferramenta a funcionar. Opere a ferramenta apenas quando a estiver a agarrar.
27. Não toque na peça de trabalho imediatamente após a operação; ela pode estar muito quente e causar queimaduras.
28. Observe as instruções do fabricante para montagem e utilização correctas dos discos. Manuseie e guarde os discos com cuidado.
29. Verifique se a peça de trabalho está suportada adequadamente.
30. Se o local de trabalho estiver extremamente quente e húmido, ou seriamente poluído por poeira condutora, use um disjuntor (30 mA) para assegurar a segurança do operador.
31. Não utilize a ferramenta em qualquer material que contenha asbesto.
32. Certifique-se sempre que possui uma base firme. Certifique-se de que ninguém está por baixo quando usa a ferramenta em locais elevados.

#### GUARDE ESTAS INSTRUÇÕES.

#### ⚠️ AVISO:

**NÃO** permita que conforto ou familiaridade com o produto (adquirido com o uso repetido) substitua a aderência estrita às regras de segurança da ferramenta. **MÁ INTERPRETAÇÃO** ou não seguimento das regras de segurança estabelecidas neste manual de instruções pode causar danos pessoais sérios.

#### DESCRIÇÃO FUNCIONAL

##### ⚠️ PRECAUÇÃO:

- Certifique-se sempre de que a ferramenta está desligada e a ficha retirada da tomada antes de regular ou verificar o funcionamento da ferramenta.

#### Acção do interruptor (Fig. 1 e 2)

##### ⚠️ PRECAUÇÃO:

- Antes de ligar a ficha da ferramenta à tomada, verifique sempre se a alavanca do interruptor funciona adequadamente e volta à posição "OFF" (desligado) quando libertado.
- Não puxe a alavanca do interruptor forçando-a sem puxar a patilha de desbloqueio. Pode partir o interruptor.

Para evitar que a alavanca do interruptor seja puxada acidentalmente, existe uma patilha de desbloqueio.

Para pôr a ferramenta a trabalhar, puxe a patilha de desbloqueio em direcção ao operador e puxe a alavanca do interruptor. Solte a alavanca do interruptor para parar.

#### Indicador de ajuste da velocidade (Fig. 3)

A velocidade da ferramenta pode ser alterada rodando o indicador de ajuste de velocidade para um determinado número entre 1 e 5.

A velocidade mais elevada é obtida quando o indicador é rodado na direcção do número 5. É a velocidade mais baixa é obtida quando o mesmo é rodado na direcção do número 1.

Consulte a tabela para saber o relacionamento entre o número no indicador e a velocidade aproximada da ferramenta.

	GD0801C	GD0811C
Número	mín. <sup>-1</sup> (RPM)	mín. <sup>-1</sup> (RPM)
1 – 2	7.000 – 10.000	1.800 – 2.400
2 – 3	10.000 – 17.000	2.400 – 4.100
3 – 4	17.000 – 24.000	4.100 – 5.800
4 – 5	24.000 – 29.000	5.800 – 7.000

014992

##### ⚠️ PRECAUÇÃO:

- Se a ferramenta for utilizada continuamente a baixas velocidades durante um longo período de tempo, o motor fica sobrecarregado resultando em avaria da ferramenta.
- O indicador de ajuste da velocidade só pode ser rodado até ao 5 e de volta ao 1. Não o force além do 5 ou do 1, pois a função de ajuste da velocidade pode deixar de trabalhar.

## ASSEMBLAGEM

### PRECAUÇÃO:

- Certifique-se sempre de que a ferramenta está desligada e a ficha retirada da tomada antes de executar qualquer trabalho na ferramenta.

### Instalação da pega lateral (Fig. 4)

Utilize sempre a pega lateral para garantir a segurança do funcionamento.

Instale a pega lateral no tambor da ferramenta, depois aperte a pega rodando-a no sentido dos ponteiros do relógio até à posição pretendida.

### Instalação ou remoção do ponto da roda (Fig. 5 e 6)

Solte a porca de engaste e insira o ponto da roda dentro da porca de engaste. Utilize a chave mais pequena para manter o eixo e a maior para apertar a porca de engaste em segurança.

O ponto da roda não deve ser montado a mais de 8 mm da porca de engaste. Se exceder esta distância pode provocar vibrações na ferramenta ou até um eixo partido.

Para retirar o ponto de roda, siga o procedimento de instalação pela ordem inversa.

### PRECAUÇÃO:

- Utilize o cone de engaste do tamanho correcto relativamente ao ponto da roda que pretende utilizar.

## OPERAÇÃO

### PRECAUÇÃO:

- Mantenha sempre a ferramenta firmemente segura colocando uma mão sobre caixa da ferramenta e a outra na pega lateral.
- Aplique uma ligeira pressão na ferramenta. Uma pressão excessiva na ferramenta fará provocar um mau acabamento e uma sobrecarga do motor.

Ligue a ferramenta sem que o ponto de roda esteja em contacto com a peça de trabalho e espere até o ponto de roda atingir a velocidade máxima. Depois, aplique suavemente o ponto de roda na peça de trabalho. Para obter um bom acabamento, mova lentamente a ferramenta para a esquerda.

## MANUTENÇÃO

### PRECAUÇÃO:

- Certifique-se sempre de que a ferramenta está desligada e a ficha retirada da tomada antes de executar qualquer inspecção ou manutenção.
- Nunca utilize gasolina, benzina, diluente, álcool ou produtos semelhantes. Pode ocorrer a descoloração, deformação ou rachaduras.

Para manter a SEGURANÇA e FIABILIDADE do produto, as reparações, a inspecção e substituição da escova de carvão, qualquer outra operação de manutenção ou ajuste, devem ser efectuados pelos centros de assistência autorizados da Makita, utilizando sempre peças de substituição Makita.

## ACESSÓRIOS OPCIONAIS

### PRECAUÇÃO:

- Estes acessórios ou peças são recomendados para utilização com a ferramenta Makita especificada neste manual. A utilização de outros acessórios ou peças pode ser perigosa para as pessoas. Utilize apenas acessórios ou peças para os fins indicados.

Se precisar de ajuda para obter mais informações relativas a estes acessórios, entre em contacto com o centro de assistência Makita local.

- Pontos de roda
- Conjunto do cone de engaste (3 mm, 6 mm, 8 mm, 1/4", 1/8")
- Suporte do torno de bancada
- Chave 13
- Chave 19
- Conjunto da pega lateral

### NOTA:

- Alguns itens da lista podem estar incluídos na embalagem da ferramenta como acessórios padrão. Eles podem variar de país para país.

ENG905-1

## Ruído

A característica do nível de ruído A determinado de acordo com EN60745:

### Modelo GD0801C

Nível de pressão de som ( $L_{pA}$ ): 80 dB (A)  
Nível de potência sonora ( $L_{WA}$ ): 91 dB (A)  
Variabilidade (K): 3 dB (A)

### Modelo GD0811C

Nível de pressão de som ( $L_{pA}$ ): 78 dB (A)  
Variabilidade (K): 3 dB (A)

O nível de ruído durante o trabalho pode exceder 80 dB (A).

### Utilize protectores para os ouvidos

ENG900-1

## Vibração

O valor total da vibração (soma vectorial tri-axial) determinado de acordo com EN60745:

### Modelo GD0801C

Modo de funcionamento: rebarbação da superfície  
Emissão de vibração ( $a_{rv}$ ): 3,5 m/s<sup>2</sup>  
Variabilidade (K): 1,5 m/s<sup>2</sup>

### Modelo GD0811C

Modo de funcionamento: rebarbação da superfície  
Emissão de vibração ( $a_{rv}$ ): 2,5 m/s<sup>2</sup> ou inferior  
Variabilidade (K): 1,5 m/s<sup>2</sup>

ENG901-1

- O valor da emissão de vibração indicado foi medido de acordo com o método de teste padrão e pode ser utilizado para comparar duas ferramentas.
- O valor da emissão de vibração indicado pode também ser utilizado na avaliação preliminar da exposição.

### AVISO:

- A emissão de vibração durante a utilização real da ferramenta eléctrica pode diferir do valor de emissão indicado, dependendo das formas como a ferramenta é utilizada.

- Certifique-se de identificar as medidas de segurança para protecção do operador que sejam baseadas em uma estimativa de exposição em condições reais de utilização (considerando todas as partes do ciclo de operação, tal como quando a ferramenta está desligada e quando está a funcionar em marcha lenta além do tempo de accionamento).

ENH101-18

## Só para países Europeus

### Declaração de conformidade CE

#### A Makita declara que a(s) seguinte(s) máquina(s):

Designação da ferramenta:

Retificadeira

Modelos n.º/Tipo: GD0801C, GD0811C

#### Em conformidade com as seguintes directivas europeias:

2006/42/CE

São fabricadas de acordo com as seguintes normas ou documentos normalizados:

EN60745

O ficheiro técnico de acordo com a 2006/42/CE está disponível em:

Makita, Jan-Baptist Vinkstraat 2, 3070, Bélgica

14.2.2014



Yasushi Fukaya  
Director

Makita, Jan-Baptist Vinkstraat 2, 3070, Bélgica

**Illustrationsoversigt**

1 Aflåsearm	5 Nøgle 19	9 Løsn
2 Afbryderarm	6 Nøgle 13	10 Maks. 8 mm (5/16")
3 Hastighedsvælger	7 Spændepatronmøtrik	
4 Sidehåndtag	8 Stram	

**SPECIFIKATIONER**

Model		GD0801C	GD0811C
Spændepatronstørrelse		Maks. 8 mm	Maks. 8 mm
Maks. diameter på slibestift	Maks. skivediameter	25 mm	50 mm
	Maks. længde af dorn (skaft)	40 mm	40 mm
Nominal hastighed (n) / Hastighed uden belastning (n <sub>0</sub> )		29 000 min <sup>-1</sup>	7 000 min <sup>-1</sup>
Længde i alt		390 mm	390 mm
Nettovægt		2,0 kg	2,0 kg
Sikkerhedsklasse		II/III	

- På grund af vores kontinuerlige forskningsprogrammer og udvikling, kan hosstående specifikationer blive ændret uden varsel.
- Specifikationer kan variere fra land til land.
- Vægt i henhold til EPTA-Procedure 01/2003

ENE050-1

**Tilsigtet anvendelse**

Maskinen er beregnet til slibning af jernholdige materialer eller til afgratning af jernstøbegods.

ENF002-2

**Strømforsyning**

Maskinen må kun tilsluttes en strømforsyning med samme spænding som angivet på typeskiltet og kan kun anvendes på enfaset vekselstrømforsyning. De er dobbeltisolerede og kan derfor også tilsluttes kontakter uden jordledning.

GEA010-1

**Almindelige sikkerhedsregler for el-værktøj**

**⚠ ADVARSEL! Læs alle sikkerhedsadvarsler og alle sikkerhedsinstruktioner.** Hvis nedenstående advarsler og instruktioner ikke overholdes, kan resultatet blive elektrisk stød, brand og/eller alvorlig personskade.

**Gem alle advarsler og instruktioner til fremtidig reference.**

GEB034-9

**SIKKERHEDSADVARSLER FOR LIGESLIBER**

**Almindelige sikkerhedsadvarsler for slibning:**

1. Denne maskine er beregnet til at fungere som en slibemaskine. Læs alle de sikkerhedsforskrifter, illustrationer og specifikationer, som følger med dette el-værktøj. Forsømmelse af at overholde alle de herunder angivne instruktioner kan føre til elektrisk stød, brand og/eller alvorlig tilskadekomst.

2. **Udførelse af arbejde såsom pudning, træbrøstning, polering og afskæring anbefales ikke med denne maskine.** Arbejde, som maskinen ikke er beregnet til, kan være farligt og resultere i tilskadekomst.
3. **Anvend ikke tilbehør, som ikke er specielt designet og anbefalet af fabrikanten af maskinen.** Bare fordi en tilbehørsdel kan monteres på Deres el-værktøj, betyder det ikke, at en sikker anvendelse er en selvfølge.
4. **Tilbehørets mærkehastighed skal være mindst den samme som den maksimale hastighed, som er angivet på maskinen.** Tilbehør, som kører hurtigere end deres mærkehastighed, kan brække og slynges af maskinen.
5. **Tilbehørets ydre diameter og tykkelse skal være inden for maskinens kapacitetsmærkedata.** Tilbehør af forkert størrelse kan ikke kontrolleres tilstrækkeligt.
6. **Akselstørelsen på tilbehøret skal modsvare maskinens spændepatron på korrekt vis.** Tilbehør, der ikke passer til monteringsdelene på maskinen, vil køre ubalanceret, vibrere ekstremt og kan medføre, at De mister herredømmet over maskinen.
7. **Dorn-monteret tilbehør skal sættes helt ind i spændepatronen eller patronen.** Hvis dornen ikke sidder ordentligt fast og/eller skiven rager for langt ud, kan det monterede tilbehør løsne sig og blive slynget ud med stor kraft.
8. **Benyt ikke tilbehør, som er beskadiget. Inspicér tilbehøret før hver brug, som for eksempel sliberskiver, for skår og revner.** Hvis maskinen eller dens tilbehør er blevet tabt, skal de inspiceres for beskadigelse eller ubeskadiget tilbehør skal monteres. Efter inspektion og montering af tilbehør, skal eventuelle omkringstående og De selv holde en god afstand til det roterende tilbehør og køre maskinen ved maksimal, ubelastet hastighed i et minut. Beskadiget tilbehør vil normalt gå i stykker i løbet af denne testtid.

9. **Brug personligt beskyttelsesudstyr. Brug, afhængigt af anvendelsen, ansigtsskjold, beskyttelsesbriller eller sikkerhedsbriller. Alt efter situationen anvendes støvmaske, høreværn, handsker og arbejdsforklæde, som er i stand til at stoppe små skarpe dele fra arbejdsemnet.** Øjenbeskyttelsen skal kunne stoppe flyvende dele, der frembringes af forskellige operationer. Støvmasken eller respiratoren skal kunne filtrere partikler, som frembringes under arbejdet. Længere tids udsættelse for højintensiv støj kan føre til høretab.
  10. **Hold omkringstående personer på sikker afstand af arbejdsområdet. Enhver person, der kommer ind i arbejdsområdet, skal bære personligt beskyttelsesudstyr.** Fragmenter af arbejdsemnet eller fra en brækket tilbehørsdel kan slynges ud og være årsag til tilskadekomst uden for selve arbejdsområdet.
  11. **Hold i maskinen i de isolerede greb, når De udfører arbejde, hvor det skærende værktøj kan komme i kontakt med skjulte ledninger eller maskinens egen netledning.** Skæretilbehør, som kommer i kontakt med en "strømførende" ledning, kan gøre el-værktøjets ikke-isolerede metaldele "strømførende", hvilket kan give operatøren elektrisk stød.
  12. **Hold altid godt fast i maskinen med hånden (hænderne) under starten.** Motorens drejningsmomentreaktion, når den accelererer til fuld hastighed, kan bevirke, at maskinen vrider.
  13. **Brug skruetvinger til at understøtte arbejdsemnet, når det er praktisk. Hold aldrig et lille arbejdsemne i den ene hånd og maskinen i den anden under brugen.** Fastspænding af et lille arbejdsemne gør det muligt at bruge hånden (hænderne) til at styre maskinen. Rundt materiale såsom passætænger, rør eller slanger har tendens til at rulle, mens de skæres, hvilket kan bevirke, at boret binder eller springer mod Dem.
  14. **Anbring ledningen på god afstand af det roterende tilbehør.** Hvis De mister herredømmet over maskinen, kan ledningen blive skåret over eller sætte sig fast og Deres arm eller hånd kan blive trukket ind i det roterede skæretilbehør.
  15. **Læg aldrig maskinen fra Dem, før tilbehørsdelen er helt standset.** Det roterende tilbehør kan gribe fat i overfladen og trække el-værktøjet ud af Deres herredømme.
  16. **Sørg for, efter at borene er skiftet ud eller når der er udført justeringer, at spændepatronmøtrikken, patronen eller andre justeringsanordninger er strammet godt til.** Løse justeringsanordninger kan bevæge sig uventet, resulterende i tab af herredømmet over maskinen, og løse, roterende dele vil blive slynget af med stor kraft.
  17. **Kør ikke el-værktøjet, mens De bærer det ved siden.** Utilisiget kontakt med det roterende tilbehør kan bevirke, at Deres tøj sætter sig fast, hvorved tilbehøret kommer til at skære ind i kroppen.
  18. **Rengør maskinens ventilationsåbninger med jævne mellemrum.** Motorens ventilator trækker støv ind i huset, og ekstrem dannelse af metalstøv kan medføre en farlig elektrisk tilstand.
  19. **Brug ikke el-værktøjet i nærheden af brændbare materialer.** Gnister kan antænde disse materialer.
  20. **Brug ikke tilbehør, der kræver flydende kølemidler.** Anvendelse af vand eller flydende kølemidler kan resultere i et dødeligt elektrisk stød eller stød.
- Tilbageslag og relaterede advarsler**
- Tilbageslag er en pludselig reaktion på en fastklemt eller fasthængende tilbehørsdel. Fastklemning eller hindring medfører hurtig standsning af det roterende tilbehør, hvilket igen medfører, at den ukontrollerede maskine tvinges i den modsatte retning af tilbehørets rotation. Hvis for eksempel en slibeskive hindres eller fastklemmes af et arbejdsemne, kan den kant på skiven, som går ind i fastklemningspunktet, grave sig ind i materialets overflade, så skiven går ud eller slynges ud ved tilbageslag. Skiven kan enten springe mod eller bort fra operatøren, alt afhængigt af skivens bevægelse på fastklemningspunktet. Slibeskiver kan også brække under disse forhold.
- Tilbageslag er et resultat af misbrug af og/eller forkert betjening af maskinen eller forkerte brugsforhold. Dette kan undgås ved at man tager de rigtige forholdsregler som anvist herunder.
- a) **Hold godt fast i maskinen og indtag en stilling med krop og armene, så tilbageslag modvirkes.** Operatøren kan kontrollere tilbageslag, hvis der tages passende forholdsregler.
  - b) **Vær særlig forsigtig, når De arbejder på hjørner, skarpe kanter etc. Undgå at tilbehøret hopper eller hindres.** Hjørner, skarpe kanter eller hoppen har en tendens til at hindre det roterende tilbehør og medføre, at De mister herredømmet over maskinen og at der opstår tilbageslag.
  - c) **Montér ikke en savklinge med tænder.** Sådanne klinger er hyppigt årsag til tilbageslag og tab af herredømmet over maskinen.
  - d) **Før altid boret ind i materialet i den samme retning, som skærekanten stikker ud fra materialet (hvilket er den samme retning som spærnerne kastes ud).** Fremføring af maskinen i den forkerte retning bevirker, at skærekanten kommer ud fra arbejdsemnet og trækker maskinen i retning af denne fremføring.
- Særlige sikkerhedsadvarsler for slibning:**
- a) **Benyt udelukkende anbefalede skivetyper til Deres maskine og kun til de anbefalede formål.**
  - b) **Anbring ikke Deres hånd på linje med eller bag den roterende skive.** Når skiven på operationstidspunktet bevæger sig bort fra hånden, kan et muligt tilbageslag slynge den roterende skive og maskinen direkte mod Dem.
- Supplerende sikkerhedsforskrifter:**
21. **Maskinen er beregnet til brug med bundne slibestifter (slibesten), som er permanent monteret på en glat dorn (skaft) uden gevind.**
  22. **Sørg for, at skiven ikke er i berøring med arbejdsemnet, inden De tænder med afbryderen.**
  23. **Inden maskinen anvendes på et arbejdsstykke, skal man lade den køre i et stykke tid. Se efter, om der er vibrationer eller slinger, som kan indikere dårlig montering eller en dårligt balanceret skive.**
  24. **Benyt den specificerede overflade på skiven til at udføre slibarbejdet.**

25. Vær på vagt over for flyvende gnister. Hold maskinen således, at gnisterne vil flyve bort fra Dem og andre personer og brændbare materialer.
26. Lad ikke maskinen køre i tomgang. Anvend kun maskinen håndholdt.
27. Undgå at berøre arbejdsemnet umiddelbart efter arbejdets ophør. Det kan være meget varmt og resultatet kan blive hudforbrændinger.
28. Overhold altid fabrikantens instruktioner for korrekt montering og anvendelse af skiver. Håndtér og opbevar skiver omhyggeligt.
29. Kontroller, at arbejdsemnet er ordentligt understøttet.
30. Hvis der er ekstrem varme og luftfugtighed på arbejdsstedet eller det er stærkt forurenet af ledende støv, skal en kortslutningsafbryder (30 mA) anvendes til at sikre operatørens sikkerhed.
31. Benyt ikke maskinen på materialer, som indeholder asbest.
32. Vær altid sikker på, at De har et godt fodfæste. Vær sikker på, at der ikke befinder sig nogen nedenunder, når maskinen anvendes i højden.

## GEM DENNE BRUGSANVISNING.

### ⚠ ADVARSEL:

LAD IKKE bekvemmelighed eller kendskab til produktet (opnået gennem gentagen brug) forhindre, at sikkerhedsforskrifterne for produktet nøje overholdes. MISBRUG eller forsømmelse af at følge de i denne brugsvejledning givne sikkerhedsforskrifter kan føre til, at De kommer alvorligt til skade.

## FUNKTIONSBESKRIVELSE

### ⚠ FORSIGTIG:

- Sørg altid for, at der er slukket for værktøjet og at den er taget ud af forbindelse, inden værktøjets funktion justeres eller kontrolleres.

### Afbryderanvendelse (Fig. 1 og 2)

#### ⚠ FORSIGTIG:

- Før maskinen sættes i forbindelse, skal De altid kontrollere, at afbryderen fungerer korrekt og vender tilbage til "OFF"-stillingen, når den slippes.
- Træk ikke for kraftigt i afbryderen, uden at aflåsearmen er trykket ind. Dette kan bevirke, at afbryderen brækker.

For at forhindre, at afbryderarmen utilsigtet trykkes ind, er maskinen udstyret med en aflåsearm.

For at starte maskinen, skydes aflåsearmen mod operatøren, hvorefter afbryderarmen trykkes ind. Slip afbryderarmen for at stoppe.

### Hastighedsvælger (Fig. 3)

Maskinens hastighed kan ændres ved at man drejer hastighedsvælgerknappen til en given talindstilling fra 1 til 5.

Højere hastighed opnås, når vælgeren drejes i retning af tallet 5. Langsommere hastighed opnås, når den drejes i retning af tallet 1.

Se skemaet angående forholdet mellem talindstillingerne på drejeshjulet og den omtrentlige maskinhastighed.

	GD0801C	GD0811C
Tal	min <sup>-1</sup> (OPM)	min <sup>-1</sup> (OPM)
1 – 2	7 000 – 10 000	1 800 – 2 400
2 – 3	10 000 – 17 000	2 400 – 4 100
3 – 4	17 000 – 24 000	4 100 – 5 800
4 – 5	24 000 – 29 000	5 800 – 7 000

014992

### ⚠ FORSIGTIG:

- Hvis maskinen anvendes uafbrudt ved lave hastigheder i længere tid, vil motoren blive overophedet med fejlfunktion af maskinen til følge.
- Hastighedsvælgeren kan kun drejes til 5 og tilbage til 1. Tving den ikke forbi 5 eller 1, da hastighedsindstillingsfunktionen i så fald muligvis ikke længere vil fungere.

## SAMLING

### ⚠ FORSIGTIG:

- Sørg altid for at værktøjet er slukket og netstikket trukket ud, inden der foretages noget arbejde på selve værktøjet.

### Montering af sidehåndtaget (Fig. 4)

Brug altid sidehåndtaget til sikre betjeningssikkerheden. Monter sidehåndtaget på maskinrommen, og stram derefter håndtaget ved at dreje det med uret ved den ønskede stilling.

### Montering eller afmontering af slibestift (Fig. 5 og 6)

Løsn spændepatronmøtrikken og sæt slibestiften ind i spændepatronmøtrikken. Benyt den lille nøgle til at holde spindelen fast og den store nøgle til at stramme spændepatronmøtrikken helt til.

Slibestiften bør ikke monteres i en afstand af mere end 8 mm fra spændepatronmøtrikken. Overskrides denne afstand, kan det medføre vibrationer, og skaffet kan brække.

Følg monteringsrækkefølgen i omvendt rækkefølge for at afmontere slibestiften.

### ⚠ FORSIGTIG:

- Anvend en spændepatron af den rigtige størrelse til den slibestift, De vil anvende.

## BETJENING

### ⚠ FORSIGTIG:

- Hold altid godt fast i maskinen med den ene hånd på huset og den anden på sidehåndtaget.
- Læg kun et let tryk på maskinen. Et for kraftigt tryk på maskinen vil kun medføre en dårlig finish og overbelastning af motoren.

Tænd for maskinen uden at slibestiften kommer i kontakt med arbejdsemnet, og vent til slibestiften er kommet op på fuld hastighed. Bring derefter forsigtigt slibestiften i kontakt med arbejdsemnet. For at opnå en god finish, bevæges maskinen langsomt i retning mod venstre.

## VEDLIGEHOJDELSE

### ⚠ FORSIGTIG:

- Kontroller altid, at værktøjet er slået fra, og at netstikket er trukket ud, inden der udføres eftersyn eller vedligeholdelse.
- Anvend aldrig benzin, rensebenzin, fortynder, alkohol og lignende. Resultatet kan blive misfarvning, deformering eller revner.

For at opretholde produktets SIKKERHED og PÅLIDELIGHED bør reparation, inspektion og udskiftning af kul, samt anden vedligeholdelse og justering kun udføres af et autoriseret Makita service-center eller værksted med anvendelse af originale Makita udskiftningsdele.

## EKSTRAUDSTYR

### ⚠ FORSIGTIG:

- Det følgende tilbehør og ekstraudstyr er anbefalet til brug med Deres Makita værktøj, der er beskrevet i denne brugsanvisning. Anvendelse af andet tilbehør eller ekstraudstyr kan udgøre en risiko for personskade. Anvend kun tilbehør og ekstraudstyr til det beskrevne formål.

Hvis De har behov for yderligere detaljer om dette tilbehør, bedes De kontakte Deres lokale Makita servicecenter.

- Slibestifter
- Spændepatrønsæt (3 mm, 6 mm, 8 mm, 1/4", 1/8")
- Skruetvingeholder
- Nøgle 13
- Nøgle 19
- Sidehåndtagssæt

### BEMÆRK:

• Nogle ting på denne liste kan være inkluderet i værktøjspakken som standardtilbehør. Det kan være forskelligt fra land til land.

ENG905-1

## Lyd

Det typiske A-vægtede støjniveau bestemte i overensstemmelse med EN60745:

### Model GD0801C

Lydtryksniveau ( $L_{pA}$ ): 80 dB (A)  
Lydeffektniveau ( $L_{WA}$ ): 91 dB (A)  
Usikkerhed (K): 3 dB (A)

### Model GD0811C

Lydtryksniveau ( $L_{pA}$ ): 78 dB (A)  
Usikkerhed (K): 3 dB (A)

Støjniveauet under arbejde kan overstige 80 dB (A).

### Bær høreværn

ENG900-1

## Vibration

Vibrations totalværdi (tre-aksial vektorsum) bestemte i overensstemmelse med EN60745:

### Model GD0801C

Arbejdsindstilling: overfladeslibning  
Vibrationsafgivelse ( $a_{h1}$ ): 3,5 m/s<sup>2</sup>  
Usikkerhed (K): 1,5 m/s<sup>2</sup>

### Model GD0811C

Arbejdsindstilling: overfladeslibning  
Vibrationsafgivelse ( $a_{h1}$ ): 2,5 m/s<sup>2</sup> eller mindre  
Usikkerhed (K): 1,5 m/s<sup>2</sup>

ENG901-1

- Den angivne vibrationsemissionsværdi er blevet målt i overensstemmelse med standardtestmetoden og kan anvendes til at sammenligne et værktøj med et andet.
- Den angivne vibrationsemissionsværdi kan også anvendes i en præliminær eksponeringsvurdering.

### ⚠ ADVARSEL:

- Vibrationsemissionen under den faktiske anvendelse af værktøjet kan være forskellig fra den erklærede emissionsværdi, afhængigt af den måde, hvorpå værktøjet anvendes.
- Sørg for at identificere de sikkerhedsforskrifter til beskyttelse af operatøren, som er baseret på en vurdering af eksponering under de faktiske brugsforhold (med hensyntagen til alle dele i brugscyklen, som f.eks. de gange, hvor værktøjet er slukket og når den kører i tomgang i tilgift til afbrydertiden).

ENH101-18

## Kun for lande i Europa

### EU-konformitetserklæring

**Makita erklærer, at den følgende maskine (maskiner):**

Maskinens betegnelse:

Ligesliber

Model nr./ Type: GD0801C, GD0811C

**Er i overensstemmelse med de europæiske direktiver:**

2006/42/EU

De er fremstillet i overensstemmelse med den følgende standard eller standardiserede dokumenter:

EN60745

Den tekniske fil, som er i overensstemmelse med 2006/42/EU, er tilgængelig fra:

Makita, Jan-Baptist Vinkstraat 2, 3070, Belgien

14.2.2014



Yasushi Fukaya  
Direktør

Makita, Jan-Baptist Vinkstraat 2, 3070, Belgien



**Περιγραφή γενικής άποψης**

1	Μοχλός ασφάλισης	5	Κλειδί 19	9	Χαλάρωμα
2	Μοχλός-διακόπτης	6	Κλειδί 13	10	8 χιλ (5/16") Μεγ.
3	Καντράν ρύθμισης ταχύτητας	7	Παξιμάδι κολάρου		
4	Πλευρική λαβή	8	Σφίξιμο		

**ΤΕΧΝΙΚΑ ΧΑΡΑΚΤΗΡΙΣΤΙΚΑ**

Μοντέλο		GD0801C	GD0811C
Μέγεθος κολάρου		Μέγ. 8 χιλ	Μέγ. 8 χιλ
Μέγ. διάμετρος σημειακού τροχού	Μέγ. διάμετρος τροχού	25 χιλ	50 χιλ
	Μέγ. μήκος συγκρατητή (στελέχους)	40 χιλ	40 χιλ
Ονομαστική ταχύτητα (n) / Ταχύτητα χωρίς φορτίο (n <sub>0</sub> )		29.000 λεπ <sup>-1</sup>	7.000 λεπ <sup>-1</sup>
Συνολικό μήκος		390 χιλ	390 χιλ
Καθαρό βάρος		2,0 Χγρ	2,0 Χγρ
Κατηγορία ασφάλειας		II/II	

- Λόγω του συνεχόμενου προγράμματος που εφαρμόζουμε για έρευνα και ανάπτυξη, τα τεχνικά χαρακτηριστικά στο παρόν έντυπο υπόκεινται σε αλλαγή χωρίς προειδοποίηση.
- Τα τεχνικά χαρακτηριστικά μπορεί να διαφέρουν από χώρα σε χώρα.
- Βάρος σύμφωνα με διαδικασία ΕΡΤΑ 01/2003

GE034-9

**ΠΡΟΕΙΔΟΠΟΙΗΣΕΙΣ ΑΣΦΑΛΕΙΑΣ ΛΕΙΑΝΤΗ**

**Προειδοποιήσεις ασφαλείας κοινές για λειαντή:**

**Προοριζόμενη χρήση**

Το εργαλείο προορίζεται για τρόχισμα σιδηρούχων υλικών και αφαίρεση γρεζιών χυτεύσεων.

ENE050-1

ENF002-2

**Ρευματοδότηση**

Το μηχάνημα πρέπει να συνδέεται μόνο με παροχή ρεύματος της ίδιας τάσης με αυτή που αναγράφεται στην πινακίδα ονομαστικών τιμών και μπορεί να λειτουργήσει μόνο με εναλλασσόμενο μονοφασικό ρεύμα. Τα εργαλεία αυτά έχουν διπλή μόνωση και, κατά συνέπεια, μπορούν να συνδεθούν σε πρίζες χωρίς σύρμα γείωσης.

GEA010-1

**Γενικές προειδοποιήσεις ασφαλείας για το ηλεκτρικό εργαλείο**

**⚠ ΠΡΟΕΙΔΟΠΟΙΗΣΗ** Διαβάστε όλες τις προειδοποιήσεις ασφαλείας και όλες τις οδηγίες. Η μη τήρηση των προειδοποιήσεων και οδηγιών ενδέχεται να καταλήξει σε ηλεκτροπληξία, πυρκαγιά ή/και σοβαρό τραυματισμό.

**Φυλάξτε όλες τις προειδοποιήσεις και τις οδηγίες για μελλοντική παραπομπή.**

1. **Το παρόν ηλεκτρικό εργαλείο προορίζεται για λειτουργία ως εργαλείο λείανσης. Διαβάστε όλες τις προειδοποιήσεις ασφαλείας, οδηγίες, απεικονίσεις και προδιαγραφές που συνοδεύουν το παρόν ηλεκτρικό εργαλείο.** Η μη τήρηση όλων των οδηγιών που αναγράφονται κατωτέρω ενδέχεται να καταλήξει σε ηλεκτροπληξία, πυρκαγιά ή/και σοβαρό τραυματισμό.
2. **Δεν συνιστάται η εκτέλεση εργασιών γυαλοχαρτίσματος, καθαρισμού με συρματόβουρτσα, στίλβωσης ή κοπής με το παρόν ηλεκτρικό εργαλείο.** Η εκτέλεση εργασιών για τις οποίες δεν έχει σχεδιαστεί το παρόν ηλεκτρικό εργαλείο ενδέχεται να εγκυμονεί κινδύνους και να προκαλέσει προσωπικό τραυματισμό.
3. **Μη χρησιμοποιείτε εξαρτήματα που δεν έχουν σχεδιαστεί ειδικά για το εργαλείο και που δεν συνιστώνται ειδικά από τον κατασκευαστή του εργαλείου.** Η χρήση ενός εξαρτήματος απλά και μόνο επειδή δύναται να προσαρμοστεί στο ηλεκτρικό εργαλείο, δεν διασφαλίζει την ασφαλή λειτουργία του.
4. **Η διαβαθμισμένη ταχύτητα του παρελκομένου πρέπει να είναι τουλάχιστον ίση με τη μέγιστη ταχύτητα που αναγράφεται στο ηλεκτρικό εργαλείο.** Παρελκόμενα τα οποία περιστρέφονται ταχύτερα από τη διαβαθμισμένη ταχύτητά τους ενδέχεται να υποστούν θραύση και τα θραύσματα να εκτιναχθούν στον περιβάλλοντα χώρο.

5. Η εξωτερική διάμετρος και το πάχος του παρελκόμενου πρέπει να είναι μέσα στα όρια της ονομαστικής ικανότητας του ηλεκτρικού εργαλείου. Δεν είναι επιφίτη η παροχή επαρκούς προστασίας ή ο έλεγχος παρελκόμενων εσφαλμένου μεγέθους.
6. Το μέγεθος στελέχους των εξαρτημάτων πρέπει να ταιριάζει σωστά με το κολάρο του ηλεκτρικού εργαλείου. Τα εξαρτήματα που δεν ταιριάζουν με τον εξοπλισμό στερέωσης του ηλεκτρικού εργαλείου θα λειτουργούν χωρίς ισορροπία, θα δονούνται υπερβολικά και μπορεί να προκαλέσουν απώλεια ελέγχου.
7. Τα εξαρτήματα που είναι στερεωμένα στο συγκρατητή πρέπει να έχουν ελασική πλήρωση στο κολάρο ή στο τσοκ. Αν ο συγκρατητής συγκρατείται ανεπαρκώς ή/και το προβαλλόμενο τμήμα του τροχού είναι πολύ μακρύ, το στερεωμένο εξάρτημα μπορεί να γίνει χαλαρό και να εκτοξευτεί με μεγάλη ταχύτητα.
8. Μην χρησιμοποιείτε εξάρτημα που έχει υποστεί βλάβη. Πριν από κάθε χρήση, ελέγξτε τα παρελκόμενα, όπως λειαντικούς τροχούς, για ρινίσματα και ρωγμές. Σε περίπτωση πτώσης του ηλεκτρικού εργαλείου ή του παρελκόμενου, ελέγξτε για τυχόν καταστροφή ή τοποθετήστε ένα παρελκόμενο που δεν έχει υποστεί καταστροφή. Μετά από τον έλεγχο και την τοποθέτηση ενός παρελκόμενου, κρατηθείτε εσείς και οι παρευρισκόμενοι σε θέση μακριά από το επίπεδο περιστροφής του παρελκόμενου και λειτουργήστε το ηλεκτρικό εργαλείο στη μέγιστη ταχύτητα περιστροφής χωρίς φορτίο, για ένα λεπτό. Συνήθως, τα κατεστραμμένα παρελκόμενα διαλύονται, εντός του συγκεκριμένου χρόνου δοκιμής.
9. Να φοράτε ατομικό εξοπλισμό προστασίας. Ανάλογα με την εφαρμογή, να χρησιμοποιείτε προσωπίδα προστασίας, προστατευτικά γυαλιά-προσωπίδες ή γυαλιά ασφάλειας. Όταν απαιτείται, να φοράτε μάσκα σκόνης, προστατευτικά ακοής, γάντια και ποδιά συνεργείου ικανά να παρέχουν προστασία από εκτινασόμενα μικρά θραύσματα από την λείανση ή του τεμαχίου εργασίας. Τα προστατευτικά ματιών πρέπει να είναι ικανά να σταματήσουν τυχόν εκτινασόμενα θραύσματα που δημιουργούνται κατά την εκτέλεση διαφόρων εργασιών. Η μάσκα σκόνης ή η αναπνευστική συσκευή πρέπει να είναι ικανές να φιλτράρουν τα σωματίδια που δημιουργούνται κατά την εκτέλεση των εργασιών σας. Η παρατεταμένη έκθεση σε θόρυβο υψηλής έντασης ενδέχεται να προκαλέσει απώλεια ακοής.
10. Φροντίστε ώστε οι παρευρισκόμενοι να βρίσκονται σε ασφαλή απόσταση από τη θέση εργασίας. Οποιοσδήποτε εισέρχεται στο χώρο εργασίας πρέπει να φορά εξοπλισμό ατομικής προστασίας. Θραύσματα του τεμαχίου εργασίας ή ενός εξαρτήματος που έχει υποστεί θραύση ενδέχεται να εκτινασθούν και να προκαλέσουν τραυματισμό πέραν των ορίων του άμεσου χώρου εκτέλεσης εργασιών.
11. Να κρατάτε το ηλεκτρικό εργαλείο μόνον από τις μονωμένες επιφάνειες συγκράτησης, κατά την εκτέλεση εργασίας όπου το παρελκόμενο κοπής ενδέχεται να έλθει σε επαφή με κρυφές καλωδιώσεις ή το δικό του καλώδιο τροφοδοσίας. Σε περίπτωση επαφής του εξαρτήματος κοπής με ηλεκτροφόρο καλώδιο, μπορεί τα εκτεθειμένα μεταλλικά εξαρτήματα του ηλεκτρικού εργαλείου να καταστούν τα ίδια ηλεκτροφόρα και να προκαλέσουν ηλεκτροπληξία στο χειριστή.
12. Να κρατάτε πάντοτε το εργαλείο καλά με το(α) χέρι(α) σας κατά την έναρξη. Η ροπή αντίδρασης του μοτέρ, καθώς επιταχύνει μέχρι την πλήρη ταχύτητα, μπορεί να προκαλέσει τη συστολή του εργαλείου.
13. Χρησιμοποιήστε συγκρατητές για να υποστηρίξετε το τεμάχιο εργασίας, όπου είναι πρακτικά εφικτό. Μην κρατάτε ποτέ ένα μικρό τεμάχιο εργασίας στο ένα χέρι και το εργαλείο στο άλλο χέρι ενώ το χρησιμοποιείτε. Η σύσφιξη ενός μικρού τεμαχίου εργασίας επιτρέπει να χρησιμοποιείτε το(α) χέρι(α) σας για να ελέγξετε το εργαλείο. Στρογγυλά υλικά όπως κοχλίες, σωληνίσκοι ή σωληνώσεις έχουν την τάση να κυλούν ενώ κόβονται και μπορεί να προκαλέσουν τη συμπλοκή ή αναπήδηση της μύτες προς το μέρος σας.
14. Τοποθετήστε το καλώδιο τροφοδοσίας μακριά από το περιστρεφόμενο εξάρτημα. Αν χάσετε τον έλεγχο, το καλώδιο τροφοδοσίας ενδέχεται να κοπεί ή να εμπλακεί και το χέρι ή ο βραχίονας σας ενδέχεται να τραβηχτεί προς το περιστρεφόμενο εξάρτημα.
15. Μην αφήνετε το ηλεκτρικό καλώδιο κάτω, πριν σταματήσετε πλήρως η περιστροφή του εξαρτήματος. Το περιστρεφόμενο εξάρτημα ενδέχεται να εμπλακεί στην επιφάνεια εργασίας και να τραβήξει το ηλεκτρικό εργαλείο εκτός ελέγχου.
16. Αφού αλλάξετε τις μύτες ή πραγματοποιήσετε οποιοσδήποτε ρυθμίσεις, βεβαιωθείτε ότι το παζμίκι κολάρου, το τσοκ ή οποιοσδήποτε άλλες διατάξεις ρύθμισης είναι καλά σφιγμένες. Οι χαλαρές διατάξεις ρύθμισης μπορούν να μετατοπιστούν απρόσμενα, προκαλώντας απώλεια ελέγχου και τη βίαια εκτόξευση των χαλαρών περιστρεφόμενων εξαρτημάτων.
17. Μην θέσετε το ηλεκτρικό εργαλείο σε λειτουργία, κατά τη μεταφορά του στο πλάι σας. Τυχόν επαφή με το περιστρεφόμενο παρελκόμενο θα μπορούσε να προκαλέσει την εμπλοκή του στο ρουχισμό και επαφή με το σώμα σας.
18. Να καθαρίζετε συχνά τις όπες αερισμού του ηλεκτρικού εργαλείου. Ο ανεμιστήρας του ηλεκτροκινητήρα προκαλεί αναρρόφηση της σκόνης στο εσωτερικό του περιβλήματος και η υπερβολική συσσώρευση κοινοτροπιόμενου μετάλλου εγκυμονεί ηλεκτρικούς κινδύνους.
19. Μην χειρίζεστε το ηλεκτρικό εργαλείο κοντά σε εύφλεκτα υλικά. Οι σπινθήρες ενδέχεται να προκαλέσουν ανάφλεξη αυτών των υλικών.
20. Μην χρησιμοποιείτε εξαρτήματα που απαιτούν υγρά ψυκτικά. Η χρήση νερού ή άλλων υγρών ψυκτικών ενδέχεται να καταλήξει σε ηλεκτροπληξία ή σοκ.

## **Ανάκρουση (οπισθολάκτισμα) και σχετικές προειδοποιήσεις**

Η ανάκρουση είναι μια ξαφνική αντίδραση του εργαλείου λόγω σύσφιξης ή σκαλώματος ενός περιστρεφόμενου εξαρτήματος. Η σύσφιξη ή το σκάλωμα προκαλεί ταχεία ακινητοποίηση του περιστρεφόμενου εξαρτήματος, το οποίο στη συνέχεια υποχωρεί το ανεξέλεγκτο ηλεκτρικό εργαλείο σε περιτροφή αντίθετη από εκείνη του εξαρτήματος.

Για παράδειγμα, εάν ένας λειαντικός τροχός αντιμετωπίσει σύσφιξη ή εμπλοκή στο τεμάχιο εργασίας, η ακμή του τροχού που εισέρχεται στο σημείο σύσφιξης ενδέχεται να σκάψει την επιφάνεια του υλικού προκαλώντας την αναπήδηση ή την ανάκρουση του τροχού. Ο τροχός ενδέχεται να αναπηδήσει προς το μέρος του χειριστή ή αντίθετα να απομακρυνθεί από αυτόν, ανάλογα με τη φορά περιστροφής του τροχού στο σημείο σύσφιξης. Υπό αυτές τις συνθήκες, οι τροχοί λείανσης ενδέχεται επίσης να υποστούν θραύση.

Η ανάκρουση είναι αποτέλεσμα κακής χρήσης ή/και εσφαλμένων διαδικασιών ή συνθηκών χειρισμού και είναι δυνατόν να αποφευχθεί εάν λάβουμε τις κατάλληλες προφυλάξεις, όπως περιγράφονται κατωτέρω.

- a) **Κρατήστε με μεγάλη σταθερότητα το ηλεκτρικό εργαλείο και τοποθετήστε το σώμα και το βραχιόνά σας σε θέση ώστε να είναι δυνατόν να προβάλλετε αντίσταση στις δυνάμεις ανάκρουσης.** Ο χειριστής δύναται να ελέγξει τις ροπές αντίδρασης ή τις δυνάμεις ανάκρουσης, εάν λαμβάνονται οι κατάλληλες προφυλάξεις.
- b) **Δώστε ιδιαίτερη προσοχή κατά την εργασία σε γωνίες, κοφτερές ακμές, κ.λ.π. Αποφύγετε την αναπήδηση και την εμπλοκή παρελκομένου.** Οι γωνίες, οι κοφτερές ακμές ή η αναπήδηση έχουν την τάση να προκαλούν εμπλοκή του περιστρεφόμενου παρελκομένου και απώλεια ελέγχου ή ανάκρουση.
- c) **Μην συνδέεται οδοντωτή λεπίδα πριονιού.** Οι λεπίδες αυτού του τύπου προκαλούν συχνά ανάκρουση και απώλεια ελέγχου.
- d) **Να εισαγάγετε τη μύτη μέσα στο υλικό με την ίδια κατεύθυνση που βγαίνει το άκρο κοπής από το υλικό (η οποία είναι η ίδια κατεύθυνση που πετάγονται τα ριζίσματα).** Αν εισαγάγετε το εργαλείο με λάθος κατεύθυνση, το άκρο κοπής της μύτης θα εξέλθει από το τεμάχιο εργασίας και θα τραβήξει το εργαλείο προς την κατεύθυνση της δικής του εισόδου.

### **Προειδοποιήσεις ασφαλείας ειδικά για λείανση:**

- a) **Να χρησιμοποιείτε μόνο τύπους τροχών που συνιστώνται για χρήση με το δικό σας ηλεκτρικό εργαλείο και μόνο για τις συνιστώμενες εφαρμογές.**
- b) **Μην ευθυγραμμίζετε το χέρι σας μπροστά ή πίσω από τον περιστρεφόμενο τροχό.** Όταν ο τροχός, στο σημείο εργασίας, κινείται απομακρυσμένος από το χέρι σας, τυχόν κλότσημα μπορεί να κατευθύνει τον περιστρεφόμενο τροχό και το ηλεκτρικό εργαλείο προς το μέρος σας.

### **Επιπλέον προειδοποιήσεις ασφαλείας:**

21. **Το εργαλείο προορίζεται για χρήση με συνδεδεμένους λειαντικούς σημειακούς τροχούς (πέτρες λείανσης) μόνιμα στερεωμένους σε ένα απλό συγκρατητή (στέλεχος) χωρίς σπείρωμα.**

22. **Φροντίστε ο τροχός να μην έρχεται σε επαφή με το τεμάχιο εργασίας πριν από την ενεργοποίηση του διακόπτη.**
23. **Πριν από τη χρήση του εργαλείου πάνω σε πραγματικό τεμάχιο εργασίας, αφήστε το σε λειτουργία για λίγο. Παρατηρήστε εάν υπάρχουν δονήσεις ή ταλάντευση που υποδηλώνουν κακή τοποθέτηση ή τροχό με κακή ζυγοστάθμιση.**
24. **Χρησιμοποιήστε την προκαθορισμένη επιφάνεια του τροχού για να εκτελέσετε την εργασία λείανσης.**
25. **Να είστε προσεκτικοί με τις εκτινασόμενες σπίνες. Κρατήστε το εργαλείο με τρόπο ώστε οι σπίνες να εκτινασσονται μακριά από το σώμα σας και άλλα άτομα ή εύφλεκτα υλικά.**
26. **Μην αφήνετε το εργαλείο σε λειτουργία. Το εργαλείο πρέπει να βρίσκεται σε λειτουργία μόνο όταν το κρατάτε.**
27. **Μην αγγίζετε το τεμάχιο εργασίας αμέσως μετά την ολοκλήρωση της εργασίας, ενδέχεται να είναι εξαιρετικά θερμό και να προκαλέσει έγκαυμα στο δέρμα σας.**
28. **Να τηρείτε τις οδηγίες του κατασκευαστή, όσον αφορά την κατάλληλη τοποθέτηση και χρήση των τροχών. Φροντίστε για το χειρισμό και τη φύλαξη των τροχών με προσοχή.**
29. **Ελέγξτε, εάν το τεμάχιο εργασίας υποστηρίζεται κατάλληλα.**
30. **Αν το περιβάλλον εργασίας είναι πολύ ζεστό και υγρό ή αν υπάρχει υπερβολική αγωγιμή σκόνη, να χρησιμοποιείτε ασφάλεια βραχυκυκλώματος (30 mA) για να εξασφαλίσετε την ασφάλεια του χειριστή.**
31. **Μη χρησιμοποιείτε το εργαλείο σε οποιοδήποτε υλικό περιέχει αμίαντο.**
32. **Να βεβαιώνετε πάντοτε ότι στέκεστε σταθερά. Όταν χρησιμοποιείτε το εργαλείο σε υψηλές τοποθεσίες, να βεβαιώνετε ότι δεν βρίσκεται κανένας από κάτω.**

## **ΦΥΛΑΞΤΕ ΤΙΣ ΟΔΗΓΙΕΣ ΑΥΤΕΣ.**

### **⚠️ ΠΡΟΕΙΔΟΠΟΙΗΣΗ:**

**ΜΗΝ επιτρέψετε στην άνεση ή στην εξοικειωσή σας με το προϊόν (που αποκτήθηκε από επανειλημμένη χρήση) να αντικαταστήσει την αυστηρή τήρηση των κανόνων ασφαλείας του παρόντος εργαλείου. ΚΑΚΗ ΧΡΗΣΗ ή αμέλεια να ακολουθήσετε τους κανόνες ασφαλείας που διατυπώνονται σ'αυτό το εγχειρίδιο οδηγιών μπορεί να προκαλέσει σοβαρό προσωπικό τραυματισμό.**

## **ΠΕΡΙΓΡΑΦΗ ΛΕΙΤΟΥΡΓΙΑΣ**

### **⚠️ ΠΡΟΣΟΧΗ:**

- Πάντοτε βεβαιώνετε ότι το εργαλείο είναι σβηστό και αποσυνδεδεμένο από το ρεύμα πριν ρυθμίσετε ή ελέγξετε κάποια λειτουργία στο εργαλείο.

### **Δράση διακόπτη (Εικ. 1 και 2)**

### **⚠️ ΠΡΟΣΟΧΗ:**

- Πριν συνδέσετε το εργαλείο στο ηλεκτρικό ρεύμα, πάντα να ελέγχετε ότι ο μοχλός-διακόπτης ενεργοποιείται σωστά και επιστρέφει στην ανενεργή θέση (OFF) όταν τον αφήνετε.
- Μην τραβήτε το μοχλό-διακόπτη με βία χωρίς να τραβάτε το μοχλό ασφάλισης. Αυτό μπορεί να προκαλέσει το σπάσιμο του διακόπτη.

Για να αποφευχθεί το τράβηγμα του μοχλού-διακόπτη κατά λάθος, παρέχεται ένας μοχλός ασφάλισης.

Για να ξεκινήσει η λειτουργία του εργαλείου, τραβήξτε το μοχλό ασφάλισης προς τη μεριά του χειριστή και κατόπιν τραβήξτε το μοχλό-διακόπτη. Για τη διακοπή του εργαλείου, αφήστε το μοχλό-διακόπτη.

### Καντράν ρύθμισης ταχύτητας (Εικ. 3)

Μπορείτε να αλλάξετε την ταχύτητα του εργαλείου αν περιστρέψετε το καντράν ρύθμισης ταχύτητας σε μια αριθμητική ρύθμιση από 1 έως 5.

Λαμβάνετε υψηλότερη ταχύτητα όταν περιστρέψετε το καντράν προς την κατεύθυνση του αριθμού 5, ενώ λαμβάνετε χαμηλότερη ταχύτητα όταν περιστρέψετε το καντράν προς την κατεύθυνση του αριθμού 1.

Ανατρέξτε στον πίνακα για τη σχέση μεταξύ των αριθμητικών ρυθμίσεων στο καντράν και την κατά προσέγγιση ταχύτητα του εργαλείου.

	GD0801C	GD0811C
Αριθμός	λεπ <sup>-1</sup> (ΣΑΛ)	λεπ <sup>-1</sup> (ΣΑΛ)
1 – 2	7.000 – 10.000	1.800 – 2.400
2 – 3	10.000 – 17.000	2.400 – 4.100
3 – 4	17.000 – 24.000	4.100 – 5.800
4 – 5	24.000 – 29.000	5.800 – 7.000

014992

### ⚠ ΠΡΟΣΟΧΗ:

- Αν το εργαλείο λειτουργεί συνεχόμενα σε χαμηλές ταχύτητες για μεγάλο χρονικό διάστημα, το μοτέρ θα υπερφορτωθεί και θα προκαλέσει δυσλειτουργία του εργαλείου.
- Το καντράν ρύθμισης ταχύτητας έχει τη δυνατότητα να περιστρέφεται έως το 5 και ξανά στο 1. Μην τον εξαναγκάζετε πέρα από το 5 ή το 1, αλλιώς μπορεί να μη λειτουργεί πλέον η ρύθμιση ταχύτητας.

### ΣΥΝΑΡΜΟΛΟΓΗΣΗ

#### ⚠ ΠΡΟΣΟΧΗ:

- Πάντοτε βεβαιώνετε ότι το εργαλείο είναι σβηστό και αποσυνδεδεμένο από το ρεύμα πριν εκτελέσετε οποιαδήποτε εργασία στο εργαλείο.

### Τοποθέτηση της πλευρικής λαβής (Εικ. 4)

Να χρησιμοποιείτε πάντα την πλευρική λαβή, ώστε να διασφαλίζεται η ασφαλής λειτουργία.

Τοποθετήστε την πλευρική λαβή στον κύλινδρο του εργαλείου και μετά σφίξτε τη λαβή περιστρέφοντας δεξιόστροφα στην επιθυμητή θέση.

### Τοποθέτηση ή αφαίρεση σημειακού τροχού (Εικ. 5 και 6)

Χαλαρώστε το παξιμάδι κολάρου και εισαγάγετε τον σημειακό τροχό στο παξιμάδι κολάρου. Χρησιμοποιήστε το μικρότερο κλειδί για να κρατήσετε την μπουπίνα και το μεγαλύτερο κλειδί για να σφίξετε καλά το παξιμάδι κολάρου.

Ο σημειακός τροχός δεν θα πρέπει να τοποθετείται περισσότερο από 8 χιλιοστά από το παξιμάδι κολάρου. Αν υπερβείτε την απόσταση αυτή, μπορεί να προκληθεί δόνηση ή σπάσιμο του άξονα.

Για να αφαιρέσετε τον σημειακό τροχό, ακολουθήστε τη διαδικασία τοποθέτησης με αντίστροφη σειρά.

### ⚠ ΠΡΟΣΟΧΗ:

- Χρησιμοποιήστε το σωστό μέγεθος του κώνου κολάρου για τον σημειακό τροχό που σκοπεύετε να χρησιμοποιήσετε.

### ΛΕΙΤΟΥΡΓΙΑ

#### ⚠ ΠΡΟΣΟΧΗ:

- Να κρατάτε πάντοτε το εργαλείο σταθερά με το ένα χέρι στο περίβλημα και με το άλλο χέρι στην πλευρική λαβή.
- Να εφαρμόζετε ελαφριά πίεση στο εργαλείο. Η υπερβολική πίεση στο εργαλείο θα προκαλέσει μόνο ανεπαρκώς τελειώμα και υπερφόρτωση του μοτέρ.

Ενεργοποιήστε το εργαλείο χωρίς να έρχεται σε επαφή ο σημειακός τροχός με το τεμάχιο εργασίας και περιμένετε έως ότου το σημείο τροχού φτάσει στην πλήρη ταχύτητά του. Κατόπιν, τοποθετήστε απαλά τον σημειακό τροχό στο τεμάχιο εργασίας. Για να έχετε ένα καλό τελειώμα, μετακινήστε το εργαλείο αργά προς τα αριστερά.

### ΣΥΝΤΗΡΗΣΗ

#### ⚠ ΠΡΟΣΟΧΗ:

- Πάντοτε βεβαιώνετε ότι το εργαλείο είναι σβηστό και αποσυνδεδεμένο από το ρεύμα πριν επιχειρήσετε να εκτελέσετε επιθεώρηση ή συντήρηση.
- Μην χρησιμοποιείτε ποτέ βενζίνη, πετρελαϊκό αίθερα, διαλυτικό, αλκοόλη ή παρόμοιες ουσίες. Ενδέχεται να προκληθεί αποχρωματισμός παραμόρφωση ή ρωγμές.

Για να διατηρήσετε την ΑΣΦΑΛΕΙΑ και ΑΞΙΟΠΙΣΤΙΑ του προϊόντος, επισκευές, έλεγχοι και αντικατάσταση των ψηκτρών άνθρακα, καθώς και οποιαδήποτε άλλη συντήρηση ή ρύθμιση πρέπει να εκτελούνται από εξουσιοδοτημένα κέντρα εξυπηρέτησης της Makita, πάντοτε χρησιμοποιώντας ανταλλακτικά της Makita.

### ΠΡΟΑΙΡΕΤΙΚΑ ΕΞΑΡΤΗΜΑΤΑ

#### ⚠ ΠΡΟΣΟΧΗ:

- Αυτά τα ανταλλακτικά ή προσαρτήματα συνιστώνται για χρήση με το εργαλείο σας της Makita που περιγράφεται στο εγχειρίδιο αυτό. Η χρήση οτιδήποτε άλλων ανταλλακτικών ή προσαρτημάτων μπορεί να παρουσιάσουν κίνδυνο τραυματισμού σε άτομα. Χρησιμοποιήστε ανταλλακτικά ή προσαρτήματα μόνο για τον καθορισμένο σκοπό.

Εάν χρειάζεστε βοήθεια ή περισσότερες λεπτομέρειες σε σχέση με αυτά τα ανταλλακτικά, ρωτήστε το τοπικό σας κέντρο εξυπηρέτησης της Makita.

- Σημειακοί τροχοί
- Σετ κώνου κολάρου (3 mm, 6 mm, 8 mm, 1/4", 1/8")
- Υπόδοχη μέγκνης
- Κλειδί 13
- Κλειδί 19
- Σετ πλευρικής λαβής

### ΠΑΡΑΤΗΡΗΣΗ:

- Μερικά στοιχεία στη λίστα μπορεί να συμπεριλαμβάνονται στη συσκευασία εργαλείου ως στάνταρ εξαρτήματα. Μπορεί να διαφέρουν ανάλογα με τη χώρα.

**Θόρυβος**

Το τυπικό Α επίπεδο μετρημένου θορύβου καθορίζεται σύμφωνα με το EN60745:

**Μοντέλο GD0801C**

Στάθμη πίεσης ήχου ( $L_{pA}$ ): 80 dB (A)  
 Στάθμη δύναμης ήχου ( $L_{WA}$ ): 91 dB (A)  
 Αβεβαιότητα (K): 3 dB (A)

**Μοντέλο GD0811C**

Στάθμη πίεσης ήχου ( $L_{pA}$ ): 78 dB (A)  
 Αβεβαιότητα (K): 3 dB (A)

Η ένταση ήχου υπό συνθήκες εργασίας μπορεί να υπερβεί τα 80 dB (A).

**Φοράτε ωτοασπίδες**

ENG900-1

**Κραδασμός**

Η ολική τιμή δόνησης (άθροισμα τρι-αξονικού διανύσματος) καθορίζεται σύμφωνα με το EN60745:

**Μοντέλο GD0801C**

Είδος εργασίας: λείανση επιφανειών  
 Εκπομπή δόνησης ( $a_h$ ): 3,5 m/s<sup>2</sup>  
 Αβεβαιότητα (K): 1,5 m/s<sup>2</sup>

**Μοντέλο GD0811C**

Είδος εργασίας: λείανση επιφανειών  
 Εκπομπή δόνησης ( $a_h$ ): 2,5 m/s<sup>2</sup> ή λιγότερο  
 Αβεβαιότητα (K): 1,5 m/s<sup>2</sup>

ENG901-1

- Η δηλωμένη τιμή εκπομπής κραδασμών έχει μετρηθεί σύμφωνα με την πρότυπη μέθοδο δοκιμής και μπορεί να χρησιμοποιηθεί για τη σύγκριση ενός εργαλείου με άλλο.
- Η δηλωμένη τιμή εκπομπής κραδασμών μπορεί να χρησιμοποιηθεί και στην προκαταρκτική αξιολόγηση έκθεσης.

**⚠ ΠΡΟΕΙΔΟΠΟΙΗΣΗ:**

- Η εκπομπή κραδασμών κατά τη χρήση του ηλεκτρικού εργαλείου σε πραγματικές συνθήκες μπορεί να διαφέρει από τη δηλωμένη τιμή εκπομπής ανάλογα με τον τρόπο χρήσης του εργαλείου.
- Φροντίστε να λάβετε τα κατάλληλα μέτρα προστασίας του χειριστή βάσει υπολογισμού της έκθεσης σε πραγματικές συνθήκες χρήσης (λαμβάνοντας υπόψη όλες τις συνιστώσες του κύκλου λειτουργίας όπως τους χρόνους που το εργαλείο είναι εκτός λειτουργίας και όταν βρίσκεται σε αδρανή λειτουργία πέραν του χρόνου ενεργοποίησης).

**Μόνο για χώρες της Ευρώπης****Δήλωση Συμμόρφωσης ΕΚ**

**H Makita δηλώνει ότι τα ακόλουθα μηχανήματα:**

Χαρακτηρισμός μηχανήματος:

Λειαντής

Αρ. μοντέλου/ Τύπος: GD0801C, GD0811C

**Συμμορφώνονται με τις ακόλουθες Ευρωπαϊκές Οδηγίες:**

2006/42/EK

Κατασκευάζονται σύμφωνα με τα ακόλουθα πρότυπα ή έγγραφα τυποποίησης:

EN60745

Το αρχείο τεχνικών στοιχείων, σύμφωνα με την Οδηγία 2006/42/EK, διατίθεται από:

Makita, Jan-Baptist Vinkstraat 2, 3070, Βέλγιο

14.2.2014



Yasushi Fukaya

Διευθυντής

Makita, Jan-Baptist Vinkstraat 2, 3070, Βέλγιο

**Genel görünüşün açıklanması**

1	Güvenlik kilidi kolu	5	19'lük anahtar	9	Gevşet
2	Anahtar kolu	6	13'lük anahtar	10	8 mm (5/16") Maksimum
3	Hız ayar kadranı	7	Halka somunu		
4	Yan sap	8	Sıkıştır		

**ÖZELLİKLER**

Model		GD0801C	GD0811C
Halka büyüklüğü		Maksimum 8 mm	Maksimum 8 mm
Maksimum çark ucu çapı	Maksimum çark çapı	25 mm	50 mm
	Maksimum mandrel (şank) uzunluğu	40 mm	40 mm
Normal hız (n) / Yüksüz hız (n <sub>0</sub> )		29.000 dak <sup>-1</sup>	7.000 dak <sup>-1</sup>
Toplam uzunluk		390 mm	390 mm
Net ağırlık		2,0 kg	2,0 kg
Emniyet sınıfı		II/III	

- Sürekli yapılan araştırma ve geliştirmelerden dolayı, burada belirtilen özellikler önceden bildirimeksizin değiştirilebilir.
- Özellikler ülkeden ülkeye değişebilir.
- EPTA-Prosedürü 01/2003 uyarınca ağırlık

ENE050-1

**Kullanım amacı**

Bu alet, demir malzemelerin taşlanması veya kalıp çapaklarının alınması için tasarlanmıştır.

ENF002-2

**Güç kaynağı**

Makinanın, yalnızca isim levhasında belirtilenle aynı voltajlı güç kaynağına bağlanması gerekir ve yalnızca tek fazlı AC güç kaynağıyla çalıştırılabilir. Çifte yalıtımlıdır ve bu sebeple topraklamasız prizlerle de kullanılabilirler.

GEA010-1

**Genel Elektrikli Alet Güvenliği Uyarılar**

**⚠ UYARI!** Tüm güvenlik uyarılarını ve tüm talimatları okuyun. Uyarılara ve talimatlara uyulmaması elektrik şoku, yangın ve/veya ciddi yaralanmalar ile sonuçlanabilir.

**Tüm uyarıları ve talimatları ilerde başvurmak için saklayın.**

GEB034-9

**KALIP TAŞLAMA MAKİNASI ALETİ GÜVENLİK UYARILARI****Taşlama İşlemleri İçin Genel Güvenlik Uyarıları:**

- Bu elektrikli el aleti bir taşlama makinesi olarak görev yapmak üzere tasarlanmıştır. Bu elektrikli alete birlikte sunulan tüm güvenlik uyarılarını, çizimleri ve teknik özellikleri okuyun. Aşağıda verilen talimatlara uyulmaması elektrik şoku, yangın ve/veya ciddi yaralanmalar ile sonuçlanabilir.**

- Bu elektrikli aletle zımparalama, telle fırçalama, parlatma veya kesme gibi işlemlerin yapılması tavsiye edilmez.** Bu elektrikli aletin tasarım amacına uygun olmayan işlemler tehlike oluşturabilir ve yaralanmaya neden olabilir.
- Aletin üreticisi tarafından tasarlanmamış ya da tavsiye edilmemiş aksesuarları kullanmayın.** Aksesuarın aletinize takılabiliyor olması güvenli kullanımın sağlanması için tek başına yeterli değildir.
- Aksesuarın anma hızı en azından elektrikli aletin üstünde belirtilen maksimum hıza eşit olmalıdır.** Anma hızlarından daha hızlı çalışan aksesuarlar kırılabilir ve fırlayabilirler.
- Aksesuarınızın dış çapı ve kalınlığı elektrikli aletinizin kapasite derecelendirmesi dahilinde olmalıdır.** Doğru boyutta olmayan aksesuarlar yeterince korunamayabilir ve kontrol edilemeyebilirler.
- Aksesuarların mil boyutu elektrikli aletin halkasına uygun olmalıdır.** Aletin montaj donanımına uygun olmayan aksesuarlar dengesiz çalışır, aşırı vibrasyon yapar ve kontrolden çıkabilir.
- Mandrel ile takılan aletler halka veya mandrenin içine tam olarak yerleştirilmelidir.** Mandrel yeteri kadar sıkı tutulmuyorsa ve/veya çark çıkıntısı çok uzunsa, takılan aksesuar gevşeyebilir ve yüksek hızda yerinden çıkabilir.
- Hasarlı bir aksesuarı kullanmayın. Her kullanımdan önce taşlama taşları gibi aksesuarlarda kırık veya çatlak olmadığını kontrol edin. Eğer elektrikli alet veya aksesuar düşürülürse, hasar muayenesi yapın ve hasarsız aksesuar takın. Bir aksesuarı muayene ettikten ve taktikten sonra, kendinizi ve civardaki insanları döner aksesuarın düzleminden uzak tutun ve elektrikli aleti bir dakika kadar maksimum yüksüz hızda çalıştırın. Bu test çalıştırması sırasında normal olarak hasarlı aksesuarlar koparlar.**

9. **Kişisel koruyucu donanım kullanın. Uygulamaya göre, yüz siperi veya koruyucu gözlük takın. Uygun görüldüğü şekilde toz maskesi, kulak koruyucuları, eldiven ve taşlama taşlarından veya iş parçasından kopan küçük parçalardan sizi koruyabilecek iş önlüğü takın.** Koruma gözlüğü, çeşitli işlemler sırasında sıçrayan parçacıkları engelleyebilecek nitelikte olmalıdır. Toz maskesi veya respiratör, işlem sırasında oluşan parçacıkları filtre edebilecek nitelikte olmalıdır. Uzun süre yüksek şiddetli gürültüye maruz kalmak işitme kaybına neden olabilir.
10. **Etrafınızdaki kişilerin iş sahasından güvenli bir uzaklıkta durmasını sağlayın. İş sahasına giren herkes kişisel koruyucu ekipmanlar giymelidir.** İş parçasının veya kırık bir aksesuarın parçaları sıçrayabilir ve iş sahasının yakınındaki kişileri yaralayabilir.
11. **Kesici aksesuarın görünmeyen kabloları ya da aletin kendi kordonuna temas etme olasılığı bulunan yerlerde çalışırken elektrikli aleti sadece yalıtımlı kavrama yüzeyinden tutun.** Kesici aksesuarın "akımlı" bir telle temas etmesi elektrikli aletin yalıtımsız metal kısımlarını "akımlı" hale getirebilir ve kullanıcıyı elektrik şokuna maruz bırakabilir.
12. **Başlatma sırasında, aleti daima el(ler)inizle sıkıca tutun.** Motorun tepki torku, tam hıza ulaşmasıyla, aletin dönmesine neden olabilir.
13. **Elverişli durumlarda iş parçasını desteklemek için klemp kullanın. Kullanım sırasında, asla küçük bir iş parçasını bir elinizle, aleti de diğer elinizde tutmayın.** Küçük bir iş parçasını klemple sıkıştırmak, aleti kontrol edilebilir için el(ler)inizi kullanabilmenizi sağlar. Sabitleme pimi, boru ya da tüp gibi yuvarlak malzemeler kesilirken yuvarlanabilir ve kesim ucunun takılıp kalmasına veya size doğru sıçramasına neden olabilir.
14. **Kabloyu dönen aksesuardan uzağa yerleştirin.** Kontrolü kaybederseniz kablo kesilebilir, takılabilir ve eliniz ya da kolunuz dönen aksesuarın içine çökülebilir.
15. **Aksesuar tamamen durmadan elektrikli aleti asla yere bırakmayın.** Dönen aksesuar yüzeye takılarak aletin kontrolünüzden çıkmasına neden olabilir.
16. **Uçları değiştirdikten ya da herhangi bir ayarlama yaptıktan sonra, halka somunu, mandren ya da diğer tüm ayar parçalarının sağlam bir şekilde sıkıştırılmış olduğunu emin olun.** Gevşek ayar parçaları, beklenmedik bir şekilde kayarak kontrol kaybına neden olabilir ve gevşek dönen parçalar şiddetle savrulabilir.
17. **Elektrikli aleti yanınızda taşırken çalıştırmayın.** Giysilerinizin kazayla döner aksesuara temas etmesi aksesuarı vücudunuza çekebilir.
18. **Elektrikli aletin havalandırma deliklerini düzenli olarak temizleyin.** Motorun fanı tozu gövdenin içine çeker ve aşırı toz metal birikimi elektrik tehlikelerine neden olabilir.
19. **Elektrikli aleti alev alabilecek malzemelerin yakınında kullanmayın.** Kıvılcıklar bu malzemeleri ateşleyebilir.
20. **Sıvı soğutucu gerektiren aksesuarları kullanmayın.** Su veya başka sıvı soğutucular kullanılması elektrik çarpmasına veya şoka neden olabilir.

## Gerİ Tepme ve İlgili Uyarılar

Gerİ tepme, dönen aksesuarın sıkışması veya takılması sonucu oluşan ani bir reaksiyondur. Sıkışma veya takılma, dönen aksesuarın aniden durmasına, bu da elektrikli aletin gücünün kontrol edilemeyerek aksesuarın dönüş yönünün aksi istikamete zorlanmasına sebep olur. Örneğin, eğer bir taşlama taşı iş parçasına takılır veya sıkışır, sıkışma noktasına giren çarkın kenarı malzeme yüzeyine batarak, çarkın dışarı tırmanmasına veya tepmesine neden olabilir. Taşlama çarkı, sıkışma noktasında çarkın hareket yönüne bağlı olarak operatöre veya ondan uzağa doğru sıçrayabilir. Bu koşullarda taşlama taşları kırılabilir de.

Gerİ tepme elektrikli aletin yanlış kullanılmasının ve/veya yanlış kullanım usulleri veya koşullarının bir sonucudur ve aşağıda belirtildiği gibi doğru önlemlerle önlenebilir.

- a) **Elektrikli aleti daima sıkıca kavrayın ve vücudunuz ve kolunuzun duruşunu gerİ tepme kuvvetlerine direnç göstereceğiniz şekilde ayarlayın.** Doğru önlemler alınır, operatör gerİ tepme gücünü kontrol edebilir.
- b) **Köşelerde, keskin kenarlarda, vb. çalışırken özel dikkat gösterin. Akse suarın zıplamasından ve takılmasından kaçının.** Köşelerde, keskin kenarlarda veya zıplama halinde döner aksesuarın takılma eğilimi vardır ve kontrol kaybına ve gerİ tepmeye neden olur.
- c) **Testere dişli bıçak takmayın.** Bu tip bıçaklar sık sık gerİ tepmeye ya da kontrol kaybına yol açar.
- d) **Ucu daima kesim kenarının malzemeden çıktığı yönde (aynı zamanda küçük parçacıkları fırladığı yönde) besleyin.** Aleti yanlış yönde beslemek, ucun kesim kenarının iş parçasının dışına çıkmasına ve aleti bu besleme yönüne çekmesine neden olur.

## Taşlama İşlemine Özgü Güvenlik Uyarıları:

- a) **Sadece aletiniz için önerilen çark tiplerini kullanın ve yalnızca önerilen uygulamalar için kullanın.**
- b) **Elinizi asla dönen çarkla aynı hizada ya da çarkın arkasında tutmayın.** Kullanım sırasında, çark elinizden uzaklaşırken, olası bir gerİ tepme dönen çarkın ve aletin tam üzerinize doğru itilmesine neden olabilir.

## Ek güvenlik uyarıları:

21. **Bu alet, düz mandrele (şanka) kalıcı olarak takılması bağlı zımpara çark ucuyla (taşlama taşıyla) kullanılabilir için tasarlanmıştır.**
22. **Alet çalıştırılmadan önce diskin iş parçasına değmediğinden emin olun.**
23. **Aleti gerçek iş parçası üzerinde kullanmadan önce bir süre çalıştırın.** Çarkın yanlış takılmış veya dengesiz olduğunu gösteren titreme ya da yalpalamalara dikkat edin.
24. **Taşlama yaparken diskin belirlenmiş yüzeyini kullanın.**
25. **Çıkan kıvılcıklara dikkat edin.** Aleti çıkan kıvılcıkların size, başkalarına veya kolay tutuşan malzemelere gelmeyeceği şekilde tutun.
26. **Makineyi çalışır durumda bırakmayın.** Makineyi sadece elinizde iken çalıştırın.
27. **Kullanımdan hemen sonra iş parçasına dokunmayın; çok sıcak olabilir ve cildinizi yakabilir.**
28. **Disklerin doğru monte edilmesi ve kullanılması için imalatçının talimatlarına uyun.** Diskleri özenle atarın ve saklayın.

29. İş parçasının doğru desteklenip desteklenmediğini kontrol edin.
30. Çalışma yüzeyi aşırı derecede sıcak ve nemliyse ya da iletken tozlarla kötü bir şekilde kirlenmişse, kullanıcının güvenliğini sağlamak için bir kısa devre kesici (30 mA) kullanın.
31. Bu aleti asbest içeren hiçbir malzeme üstünde kullanmayın.
32. Her zaman yere sağlam basın. Makineyi yüksekte kullandığınızda, altında kimsenin olmadığından emin olun.

## BU TALİMATLARI SAKLAYIN.

### ⚠ UYARI:

Ürünü kullanırken (defalarca kullanın kazanılan) rahatlık ve tanıdıklık duygusunun ilgili ürünün güvenlik kurallarına sıkı sıkıya bağlı kalmanın yerine geçmesine İZİN VERMEYİN. YANLIŞ KULLANIM veya bu kullanma kılavuzunda belirtilen emniyet kurallarına uymama ciddi yaralanmaya neden olabilir.

## İŞLEVSEL AÇIKLAMALAR

### ⚠ DİKKAT:

- Alet üzerinde ayarlama ya da işleyiş kontrolü yapmadan önce aletin kapalı ve fişinin çekili olduğundan daima emin olun.

### Anahtar işlemi (Şek. 1 ve 2)

#### ⚠ DİKKAT:

- Aleti fişe takmadan önce, anahtar kolunun düzgün çalıştığından ve bırakıldığında "OFF" pozisyonuna döndüğünden emin olun.
- Güvenlik kilidi kolunu çekmeden anahtar kolu zorlayarak çekmeyin. Bu, anahtarın kırılmasına neden olabilir.

Anahtar kolunun kazara çekilmesini önlemek için, güvenlik kilidi kolu sunulmuştur.

Aleti çalıştırmak için, güvenlik kilidi kolunu kullanıcıya doğru çekin ve ardından anahtar kolu çekin. Durdurmak için anahtar kolu bırakın.

### Hız ayar kadranı (Şek. 3)

Makinanın hızını 1'den 5'e kadar işaretlenmiş hız ayar kadranını çevirerek ayarlayabilirsiniz.

Kadran 5 yönüne çevrildiğinde yüksek hız elde edilir. Kadran 1 yönüne çevrildiğinde düşük hız elde edilir.

Ayar kadranı üzerindeki rakamlar ve makinanın yaklaşık hızı arasındaki ilişki için aşağıdaki tabloya bakın.

	GD0801C	GD0811C
Rakam	dak <sup>-1</sup> (dakikadaki dönüş sayısı)	dak <sup>-1</sup> (dakikadaki dönüş sayısı)
1 – 2	7.000 – 10.000	1.800 – 2.400
2 – 3	10.000 – 17.000	2.400 – 4.100
3 – 4	17.000 – 24.000	4.100 – 5.800
4 – 5	24.000 – 29.000	5.800 – 7.000

014992

### ⚠ DİKKAT:

- Eğer alet uzun süre devamlı düşük hızlarda çalıştırılırsa, motor aşırı yüklenir ve bozulmaya neden olur.
- Hız ayar kadranı ancak 1 ile 5 arasındaki numaralara ayarlanabilir. 5 veya 1 numaranın ötesine ayar yapmaya çalışmayın, aksi halde kadran bozulabilir.

## MONTAJ

### ⚠ DİKKAT:

- Alet üzerinde herhangi bir iş yapmadan önce aletin kapalı ve fişinin çekili olduğundan daima emin olun.

### Yan sapın takılması (Şek. 4)

Güvenli bir kullanım sağlamak için daima yan sapı kullanın.

Yan sapı alet gövdesine takın, sonra saat yönünde döndürerek istenilen konumda sıkın.

### Çark ucunun takılması ve çıkarılması (Şek. 5 ve 6)

Halka somununu gevşetin ve çark ucunu halka somununa yerleştirin. Küçük anahtar ile mili tutun ve büyük olani ile de halka somununu sıkıştırın.

Çark ucu halka somununa 8 mm'den daha fazla uzaklıkta takılmamalıdır. Bu uzunluğun aşılması titreşmeye ve şaftın kırılmasına sebep olabilir.

Çark ucunu çıkarmak için de takma işleminin tersini uygulayın.

### ⚠ DİKKAT:

- Kullanmayı düşündüğünüz çark ucu için doğru halka konisini kullanın.

## KULLANIM

### ⚠ DİKKAT:

- Makinayı daima bir eliniz yuvanın üzerinde, diğer eliniz de yan sapın üzerinde olacak şekilde sıkıca tutun.
- Makinaya hafif basınç uygulayın. Makinaya gereğinden fazla basınç uygulanması sadece güzel sonuç elde edilmemesine ve motorun fazla yüklenmesine yol açar.

Makinayı çark ucu iş parçasına temas etmiyor halde iken açın ve makinanın tüm hızına ulaşmasını bekleyin. Sonra çark ucunu iş parçasına nazikçe yerleştirin. İyi bir sonuç elde etmek için, makineyi yavaşça sol tarafa hareket ettirin.

## BAKIM

### ⚠ DİKKAT:

- Muayene ya da bakım yapmadan önce aletin kapalı ve fişinin çekili olduğundan daima emin olun.
- Benzin, tiner, alkol ve benzeri maddeleri kesinlikle kullanmayın. Renk değişimi, deformasyon veya çatlaklar oluşabilir.

Aleti EMNİYETLİ ve ÇALIŞMAYA HAZIR durumda tutmak için onarımlar, karbon fırça muayenesi ve değiştirilmesi, başka her türlü bakım ve ayarlamalar daima Makita yedek parçaları kullanılarak Makita yetkili servis merkezleri tarafından yapılmalıdır.



## İSTEĞE BAĞLI AKSESUARLAR

### ⚠ DİKKAT:

- Bu aksesuarlar ve ek parçalar bu el kitabında belirtilen Makita aletinin ile kullanılmak için tavsiye edilmektedir. Herhangi başka bir aksesuar ya da ek parça kullanılması insanlar için bir yaralanma riski getirebilir. Aksesuarları ya da ek parçaları yalnızca belirtilmiş olan kullanım amaçlarına uygun olarak kullanın.

Bu aksesuarlarla ilgili daha fazla bilgiye ihtiyaç duyarsanız bulunduğunuz yerdeki Makita servis merkezi başvurun.

- Çark uçları
- Halka konisi seti (3 mm, 6 mm, 8 mm, 1/4", 1/8")
- Mengene tutacağı
- 13'lük anahtar
- 19'lük anahtar
- Yan sap takımı

### NOT:

- Listedeki bazı parçalar standart aksesuar olarak ürün paketinin içine dahil edilmiş olabilir. Aksesuarlar ülkeden ülkeye farklılık gösterebilir.

ENG905-1

### Gürültü

EN60745 uyarınca hesaplanan tipik A-ağırlıklı gürültü düzeyi:

#### Model GD0801C

Ses basınç seviyesi ( $L_{pA}$ ): 80 dB (A)

Ses gücü düzeyi ( $L_{WA}$ ): 91 dB (A)

Belirsizlik (K): 3 dB (A)

#### Model GD0811C

Ses basınç seviyesi ( $L_{pA}$ ): 78 dB (A)

Belirsizlik (K): 3 dB (A)

İşlem sırasında gürültü seviyesi 80 dB (A)'yi geçebilir.

### Kulak koruyucusu takın

ENG900-1

### Titreşim

EN60745 standardına göre hesaplanan titreşim toplam değeri (üç eksenli vektör toplamı):

#### Model GD0801C

Çalışma modu: yüzey taşlama

Titreşim emisyonu ( $a_{hv}$ ): 3,5 m/s<sup>2</sup>

Belirsizlik (K): 1,5 m/s<sup>2</sup>

#### Model GD0811C

Çalışma modu: yüzey taşlama

Titreşim emisyonu ( $a_{hv}$ ): 2,5 m/s<sup>2</sup>'den az

Belirsizlik (K): 1,5 m/s<sup>2</sup>

ENG901-1

- Beyan edilen titreşim emisyon değeri standart test yöntemine uygun şekilde ölçülmüştür ve bir aleti bir başkasıyla karşılaştırmak için kullanılabilir.
- Beyan edilen titreşim emisyon değeri bir ön maruz kalma değerlendirmesi olarak kullanılabilir.

### ⚠ UYARI:

- Bu elektrikli aletin gerçek kullanımı sırasındaki titreşim emisyonu aletin kullanım biçimlerine bağlı olarak beyan edilen emisyon değerinden farklı olabilir.
- Gerçek kullanım koşullarındaki maruz kalmanın bir tahmini hesaplaması temelinde operatörü koruyacak güvenlik önlemlerini mutlaka belirleyin (çalışma döngüsü içerisinde aletin kapalı olduğu ve aktif durumda olmasının yanı sıra boşta çalıştığı zamanlar gibi, bütün zaman dilimleri göz önünde bulundurulacak değerlendirilmelidir).

ENH101-18

### Sadece Avrupa ülkeleri için

### EC Uygunluk Beyanı

**Biz Makita Corporation beyan ederiz ki aşağıdaki**

**makine(ler):**

Makine Adı:

Kalıp taşlama makinası

Model No./ Tipi: GD0801C, GD0811C

**Aşağıdaki Avrupa Direktiflerine uygundur:**

2006/42/EC

Aşağıdaki standartlara veya standartlaştırılmış belgelere uygun olarak imal edilmişlerdir:

EN60745

2006/42/EC uyumluluğuna ilişkin teknik dosyaya şuradan ulaşılabilir:

Makita, Jan-Baptist Vinkstraat 2, 3070, Belçika

14.2.2014



Yasushi Fukaya

Müdür

Makita, Jan-Baptist Vinkstraat 2, 3070, Belçika





**Makita** Jan-Baptist Vinkstraat 2, 3070, Belgium  
**Makita Corporation** Anjo, Aichi, Japan

885367-992

[www.makita.com](http://www.makita.com)

IDE